

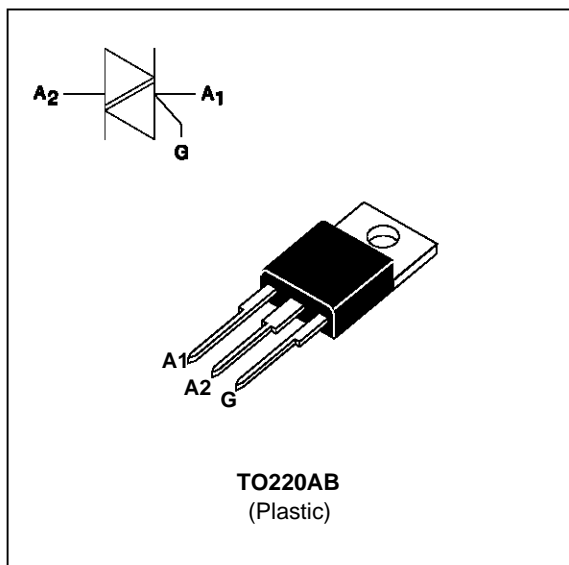
**STANDARD TRIACS**

**FEATURES**

- HIGH SURGE CURRENT CAPABILITY
- COMMUTATION :  $(dV/dt)_c > 5 \text{ V}/\mu\text{s}$
- BTA Family :  
INSULATING VOLTAGE =  $2500V_{(RMS)}$   
(UL RECOGNIZED : E81734)

**DESCRIPTION**

The BTA/BTB08 B/C triac family are high performance glass passivated PNP devices. These parts are suitable for general purpose applications where high surge current capability is required. Application such as phase control and static switching on inductive or resistive load.



**ABSOLUTE RATINGS** (limiting values)

Symbol	Parameter		Value	Unit	
IT(RMS)	RMS on-state current (360° conduction angle)	BTA	Tc = 90 °C	8	A
		BTB	Tc = 95 °C		
ITSM	Non repetitive surge peak on-state current ( Tj initial = 25°C )		tp = 8.3 ms	84	A
			tp = 10 ms	80	
i2t	I2t value		tp = 10 ms	32	A2s
di/dt	Critical rate of rise of on-state current Gate supply : IG = 500mA diG/dt = 1A/μs		Repetitive F = 50 Hz	10	A/μs
			Non Repetitive	50	
Tstg Tj	Storage and operating junction temperature range		- 40 to + 150 - 40 to + 125	°C °C	
TI	Maximum lead temperature for soldering during 10 s at 4.5 mm from case		260	°C	

Symbol	Parameter	BTA / BTB08... B/C				Unit
		400	600	700	800	
VDRM VRRM	Repetitive peak off-state voltage Tj = 125 °C	400	600	700	800	V

**THERMAL RESISTANCES**

Symbol	Parameter		Value	Unit
Rth (j-a)	Junction to ambient		60	°C/W
Rth (j-c) DC	Junction to case for DC	BTA	4.4	°C/W
		BTB	3.2	
Rth (j-c) AC	Junction to case for 360° conduction angle ( F= 50 Hz)	BTA	3.3	°C/W
		BTB	2.4	

**GATE CHARACTERISTICS (maximum values)**

PG (AV) = 1W    PGM = 10W (tp = 20 μs)    IGM = 4A (tp = 20 μs)    VGM = 16V (tp = 20 μs).

**ELECTRICAL CHARACTERISTICS**

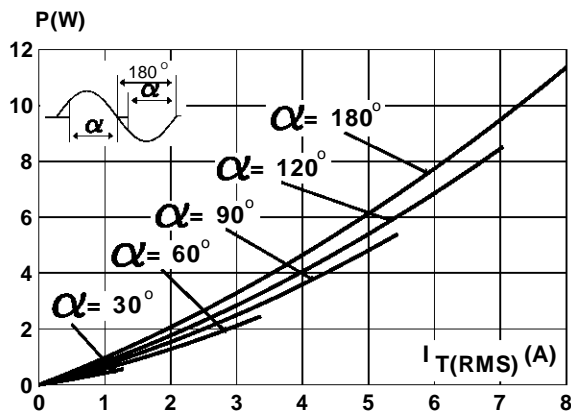
Symbol	Test Conditions	Quadrant		Suffix		Unit
				B	C	
IGT	VD=12V (DC) RL=33Ω Tj=25°C	I-II-III	MAX	50	25	mA
		IV	MAX	100	50	
VGT	VD=12V (DC) RL=33Ω Tj=25°C	I-II-III-IV	MAX	1.5		V
VGD	VD=VDRM RL=3.3kΩ Tj=110°C	I-II-III-IV	MIN	0.2		V
tgt	VD=VDRM IG = 500mA dIG/dt = 3A/μs Tj=25°C	I-II-III-IV	TYP	2		μs
IL	IG=1.2 IGT Tj=25°C	I-III-IV	TYP	40	20	mA
		II		70	35	
IH *	IT= 500mA gate open Tj=25°C		MAX	50	25	mA
VTM *	ITM= 11A tp= 380μs Tj=25°C		MAX	1.75		V
IDRM IRRM	VDRM Rated VRRM Rated Tj=25°C		MAX	0.01		mA
			MAX	0.5		
dV/dt *	Linear slope up to VD=67%VDRM gate open Tj=110°C		MIN	250	100	V/μs
(dV/dt)c *	(dI/dt)c = 3.5A/ms Tj=110°C		MIN	10	5	V/μs

\* For either polarity of electrode A2 voltage with reference to electrode A1.

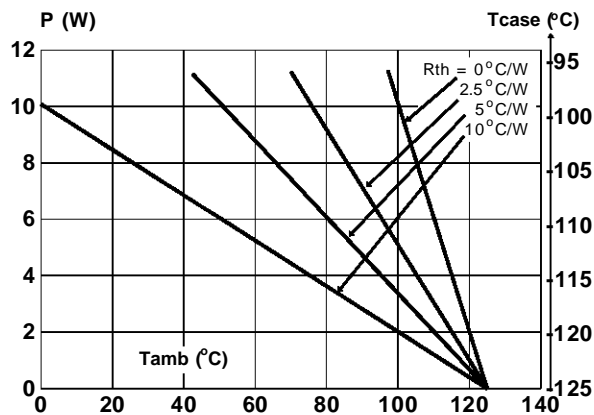
ORDERING INFORMATION

Package	$I_T(RMS)$	$V_{DRM} / V_{RRM}$	Sensitivity Specification	
	A	V	B	C
BTA (Insulated)	8	400	X	X
		600	X	X
		700	X	X
		800	X	X
BTB (Uninsulated)	8	400	X	X
		600	X	X
		700	X	X
		800	X	X

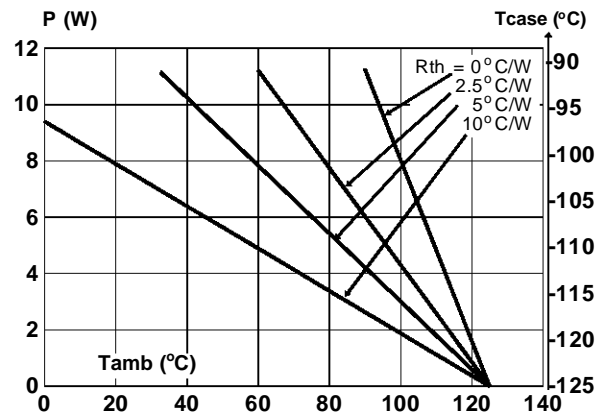
**Fig.1** : Maximum RMS power dissipation versus RMS on-state current ( $F=50Hz$ ).  
(Curves are cut off by  $(di/dt)_c$  limitation)



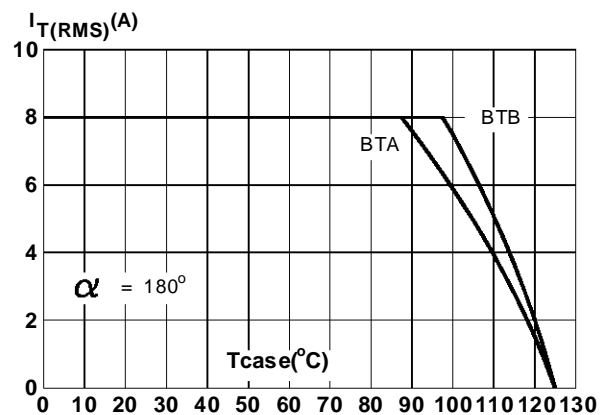
**Fig.3** : Correlation between maximum RMS power dissipation and maximum allowable temperatures ( $T_{amb}$  and  $T_{case}$ ) for different thermal resistances heatsink + contact (BTB).



**Fig.2** : Correlation between maximum RMS power dissipation and maximum allowable temperatures ( $T_{amb}$  and  $T_{case}$ ) for different thermal resistances heatsink + contact (BTA).

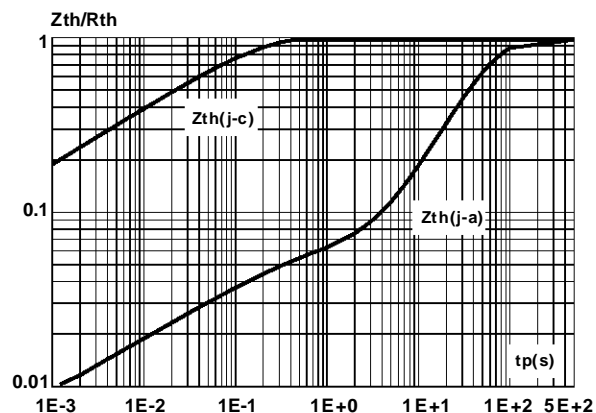


**Fig.4** : RMS on-state current versus case temperature.

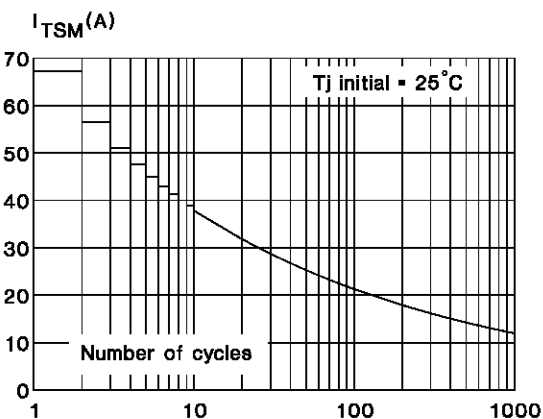


# BTA08 B/C / BTB08 B/C

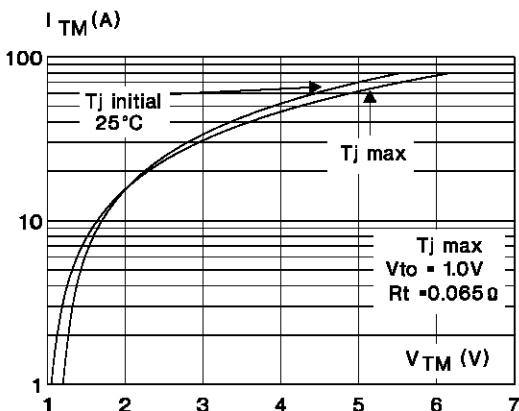
**Fig.5 :** Relative variation of thermal impedance versus pulse duration.



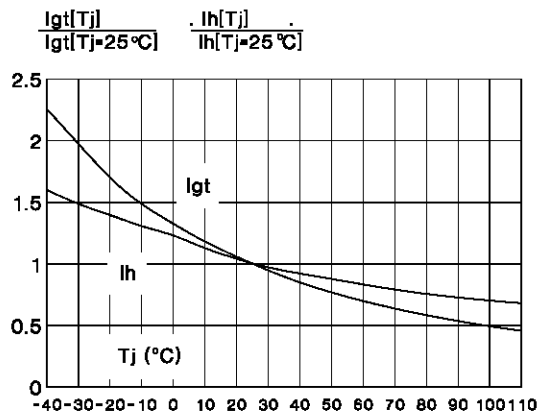
**Fig.7 :** Non Repetitive surge peak on-state current versus number of cycles.



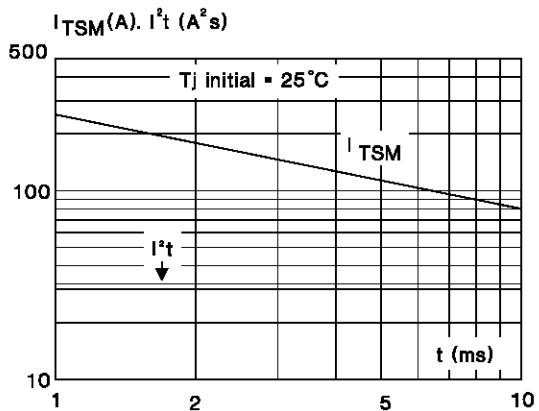
**Fig.9 :** On-state characteristics (maximum values).



**Fig.4 :** Relative variation of gate trigger current and holding current versus junction temperature.

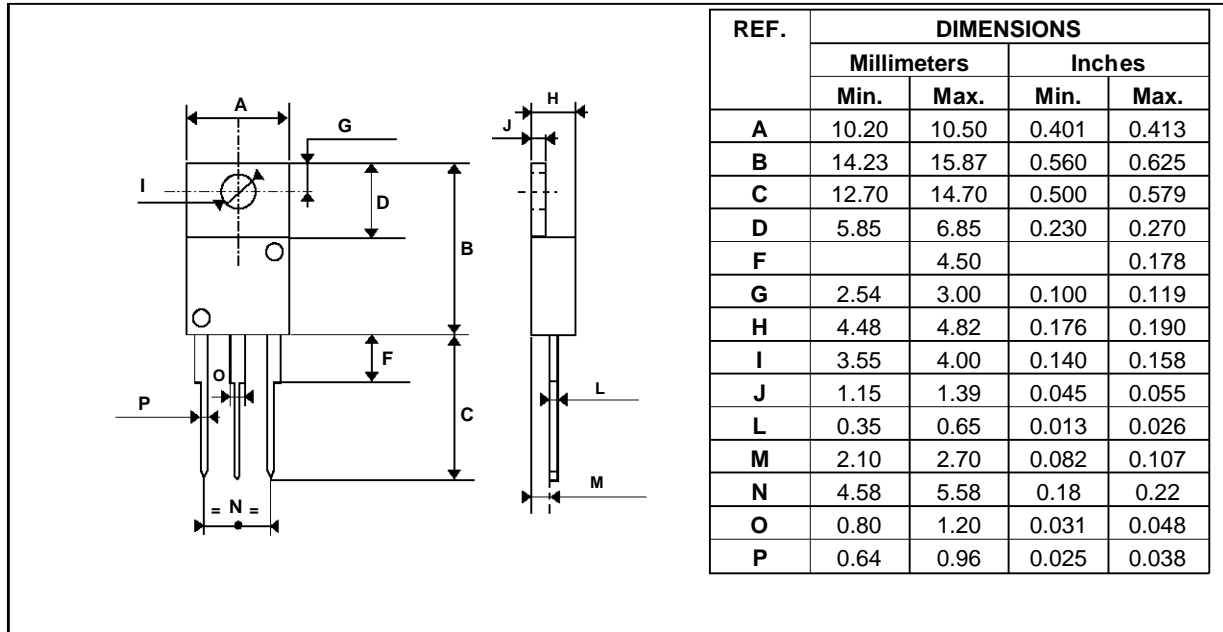


**Fig.8 :** Non repetitive surge peak on-state current for a sinusoidal pulse with width :  $t \leq 10\text{ms}$ , and corresponding value of  $I^2t$ .



**PACKAGE MECHANICAL DATA**

TO220AB Plastic



Cooling method : C  
 Marking : type number  
 Weight : 2.3 g  
 Recommended torque value : 0.8 m.N.  
 Maximum torque value : 1 m.N.

Information furnished is believed to be accurate and reliable. However, SGS-THOMSON Microelectronics assumes no responsibility for the consequences of use of such information nor for any infringement of patents or other rights of third parties which may result from its use. No license is granted by implication or otherwise under any patent or patent rights of SGS-THOMSON Microelectronics. Specifications mentioned in this publication are subject to change without notice. This publication supersedes and replaces all information previously supplied.

SGS-THOMSON Microelectronics products are not authorized for use as critical components in life support devices or systems without express written approval of SGS-THOMSON Microelectronics.

© 1995 SGS-THOMSON Microelectronics - Printed in Italy - All rights reserved.

SGS-THOMSON Microelectronics GROUP OF COMPANIES

Australia - Brazil - France - Germany - Hong Kong - Italy - Japan - Korea - Malaysia - Malta - Morocco - The Netherlands - Singapore - Spain - Sweden - Switzerland - Taiwan - Thailand - United Kingdom - U.S.A.