

TOSHIBA PHOTOINTERRUPTER INFRARED LED + PHOTO IC

TLP1205

TIMING SENSOR FOR COPIER, FACSIMILE,
ELECTRONIC PRINTER

TIMING DETECTION OF ENGINEERING WORK AND
CONTROL EQUIPMENT

EDGE SENSOR, OPTOELECTRONIC SWITCHES

The TLP1205 is a digital output photointerrupter with an GaAs infrared LED and a Si photo IC incorporated in the same package with a connector provided.

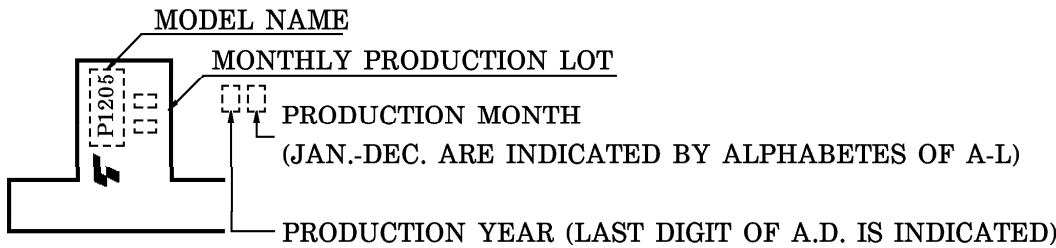
This product has 2 detecting gaps through which independent 2 channel outputs are obtained.

This product is the position detecting sensor suited to automated control of equipment.

When detecting a substance (when the light is shielded), the output becomes low level.

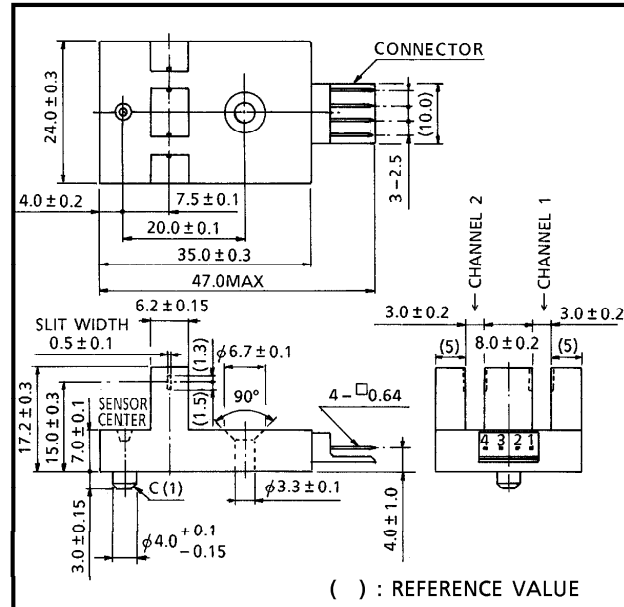
- One side mounting type.
- Supply voltage : 5V
- Digital output (with a pull-up resistor)
- Gap (2) : 3mm
- Resolution : Slit width 0.5mm
- Large output current : $I_{OL}=50\text{mA}$ (max)
- Mounting, circuit connection, maintenance, etc. are easily performed by the connector.
- Material of the package : Polycarbonate

PRODUCT INDICATION



STAMP COLOR : SILVER

Unit in mm



JEDEC	—
EIAJ	—
TOSHIBA	11-24A1

Weight : 6g (typ.)

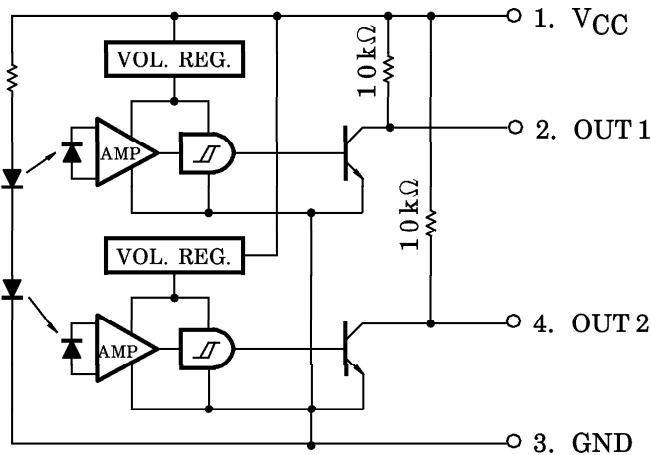
CONNECTOR

171825-4 (AMP (Japan), Ltd. made EI Connector)

961001EBC2

- TOSHIBA is continually working to improve the quality and the reliability of its products. Nevertheless, semiconductor devices in general can malfunction or fail due to their inherent electrical sensitivity and vulnerability to physical stress. It is the responsibility of the buyer, when utilizing TOSHIBA products, to observe standards of safety, and to avoid situations in which a malfunction or failure of a TOSHIBA product could cause loss of human life, bodily injury or damage to property. In developing your designs, please ensure that TOSHIBA products are used within specified operating ranges as set forth in the most recent products specifications. Also, please keep in mind the precautions and conditions set forth in the TOSHIBA Semiconductor Reliability Handbook.
- Gallium arsenide (GaAs) is a substance used in the products described in this document. GaAs dust and fumes are toxic. Do not break, cut or pulverize the product, or use chemicals to dissolve them. When disposing of the products, follow the appropriate regulations. Do not dispose of the products with other industrial waste or with domestic garbage.
- The products described in this document are subject to foreign exchange and foreign trade control laws.
- The information contained herein is presented only as a guide for the applications of our products. No responsibility is assumed by TOSHIBA CORPORATION for any infringements of intellectual property or other rights of the third parties which may result from its use. No license is granted by implication or otherwise under any intellectual property or other rights of TOSHIBA CORPORATION or others.
- The information contained herein is subject to change without notice.

PIN CONNECTION



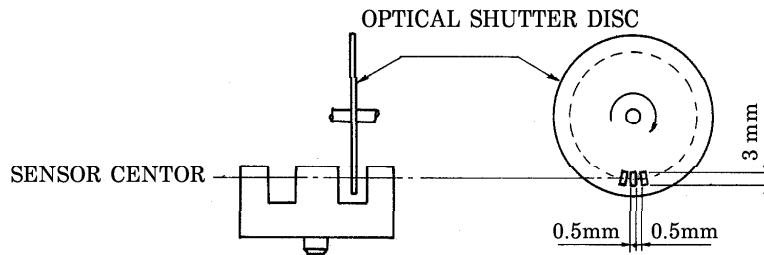
MAXIMUM RATINGS (Ta = 25°C)

CHARACTERISTIC	SYMBOL	RATING	UNIT
Supply Voltage	V _{CC}	6	V
Output Voltage	V _O	V _{CC} +0.5	V
Low Level Output Current	I _{OL}	50	mA
Operating Temperature Range	T _{opr}	-25~75	°C
Storage Temperature Range	T _{stg}	-40~85	°C

ELECTRICAL CHARACTERISTICS (Unless Otherwise Specified, Ta = -25~75°C, V_{CC} = 5 ± 0.5V)

CHARACTERISTIC		SYMBOL	TEST CONDITION	MIN.	TYP.	MAX.	UNIT
Supply Voltage		V _{CC}	—	4.5	—	5.5	V
Supply Current	Low Level	I _{CCL}	Shutter In	—	—	30	mA
	High Level	I _{CCH}	Without Shutter	—	—	30	
Low Level Output Voltage	CH. 1	V _{OL1}	Shutter In, I _{OL} = 16mA	—	—	0.4	V
	CH. 2	V _{OL2}	Shutter In, I _{OL} = 16mA	—	—	0.4	
High Level Output Voltage	CH. 1	V _{OH1}	Without Shutter	0.9V _{CC}	—	—	
	CH. 2	V _{OH2}	Without Shutter	0.9V _{CC}	—	—	
Peak Emission Wavelength		λ _P	Ta = 25°C, LED Side	—	940	—	nm
Peak Sensitivity Wavelength		λ _P	Ta = 25°C, Photo IC Side	—	900	—	nm
Response Frequency		f	Ta = 25°C (Note)	3000	—	—	Hz
Rise Time	t _r		—	2	—	μs	
Fall Time	t _f		—	0.03	—		

(Note) A value measured when the disc shown in the following figure was rotated. No DC current should be output.



PRECAUTION

Please be careful of the followings.

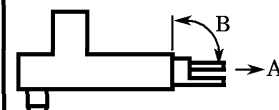
1. During 100 μ s after turning on V_{CC}, output voltage changes for stabilizing the inner circuit.
2. Install to the mount free of warp with the clamping torque 0.59N·m max
3. The container is made of polycarbonate. Polycarbonate is usually stable with acid, alcohol, and aliphatic hydrocarbons however, with peroxochemicals (such as benzene, toluene, and acetone), alkali, aromatic hydrocarbons, or chloric hydrocarbons, polycarbonate becomes cracked, swollen, or melted. Please take care when choosing a packaging material by referencing the table below.

<Chemicals to avoid with polycarbonate>

	PHENOMENON	CHEMICALS
A	Little deterioration but staining	<ul style="list-style-type: none"> • nitric acid (low concentration), hydrogen peroxide, chlorine
B	Cracked, crazed, or swollen	<ul style="list-style-type: none"> • acetic acid (70% or more) • gasoline • methyl ethyl ketone, ethyl acetate, butyl acetate • ethyl methacrylate, ethyl ether, MEK • acetone, m-amino alcohol, carbon tetrachloride • carbon disulfide, trichloroethylene, cresol • thinners, oil of turpentine • triethanolamine, TCP, TBP
C	Melted { } : Used as solvent.	<ul style="list-style-type: none"> • concentrated sulfuric acid • benzene • styrene, acrylonitrile, vinyl acetate • ethylenediamine, diethylenediamine • {chloroform, methyl chloride, tetrachloromethane, dioxane, 1, 2-dichloroethane}
D	Decomposed	<ul style="list-style-type: none"> • ammonia water • other alkali

TERMINAL STRENGTH (Ta = 25°C)

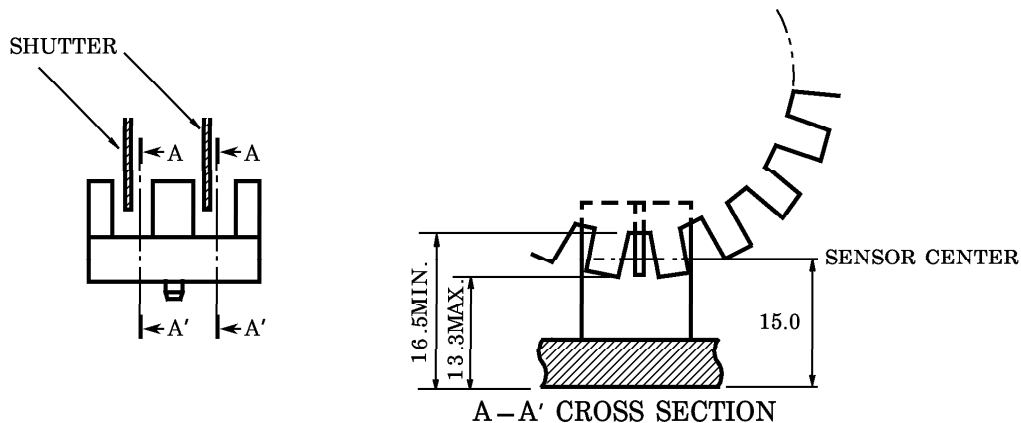
CHARACTERISTIC	TEST CONDITION		LIMIT
	DIRECTION	A	
PULL	WEIGHT	19.6N	NO DEFECT OF ELECTRICAL CHARACTERISTICS
	TIME	5s / ONCE	
	DIRECTION	B	
BEND	WEIGHT	9.8N	
	TIME	5s / THRICE	
	DIRECTION	A	



POSITIONING OF SHUTTER AND DEVICE

To operate correctly, make sure that the shutter and the device are positioned as shown in the figure below.

The slit pitch of the shutter must be set wider than the slit width of the device.
Determine the width taking the switching time into consideration.



RECOMMENDABLE MATCHED CONNECTOR

AMP (Japan), Ltd. made EI series connector (Standard type)

HOUSING	NATURAL COLOR	BLACK	BLUE	GREEN	RED
	171822-4	2-171822-4	4-171822-4	6-171822-4	8-171822-4
TERMINAL	TYPE No.	PRODUCT FORM	MATERIAL	AWG SIZE	INSULATION DIAMETER
	170204-1	LOOSEN	BRASS	AWG20~26	1.1~1.9mm
	170204-2		PHOSPHOR BRONZE		
	170262-1	LINKED	BRASS		
	170262-2		PHOSPHOR BRONZE		
	170205-1	LOOSEN	BRASS	AWG26~30	1.0~1.4mm
	170205-2		PHOSPHOR BRONZE		
	170263-1	LINKED	BRASS		
170263-2	PHOSPHOR BRONZE				

AMP (Japan), Ltd. made EI series connector (Low profile type)

HOUSING	NATURAL COLOR	BLACK	BLUE	GREEN	RED
	172142-4	2-172142-4	4-172142-4	6-172142-4	8-172142-4
TERMINAL	TYPE No.	PRODUCT FORM	MATERIAL	AWG SIZE	INSULATION DIAMETER
	170369-1	LOOSEN	PHOSPHOR BRONZE	AWG22~26	1.1~1.9mm
	170354-1	LINKED			
	170370-1	LOOSEN		AWG26~30	1.0~1.5mm
	170355-1	LINKED			

For details of the connectors, please refer to the connector maker.

