

# Silizium-PIN-Fotodiode in SMR<sup>®</sup> Gehäuse Silicon PIN Photodiode in SMR<sup>®</sup> Package

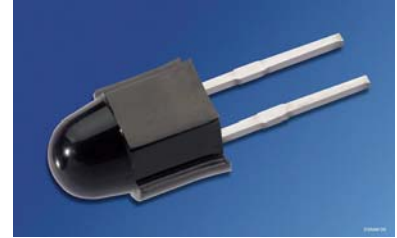
## SFH 2500FA, SFH 2505, SFH 2505FA



SFH 2500FA



SFH 2505



SFH 2505FA

### Wesentliche Merkmale

- Wellenlängenbereich ( $S_{10\%}$ ) 400nm bis 1100nm (SFH 2505) und 750nm bis 1100nm (SFH 2500FA/SFH 2505FA)
- SMR<sup>®</sup> (Surface Mount Radial) Gehäuse
- Kurze Schaltzeit (typ. 5 ns)
- Gehäusegleich mit IRED SFH 4542, SFH 4543, SFH 4551, SFH 4580, SFH 4585

### Anwendungen

- Industrieelektronik
- „Messen/Steuern/Regeln“
- Lichtschranken
- Datenübertragung

### Features

- Wavelength range ( $S_{10\%}$ ) 400 nm to 1100 nm (SFH 2505) and 750nm bis 1100nm (SFH 2500FA/SFH 2505FA)
- SMR<sup>®</sup> (Surface Mount Radial) package
- Short switching time (typ. 5 ns)
- Package matched with IRED SFH 4542, SFH 4543, SFH 4551, SFH 4580, SFH 4585

### Applications

- Industrial electronics
- For control and drive circuits
- Photointerrupters
- Data transmission

Typ Type	Bestellnummer Ordering Code	Fotostrom, $E_e=1 \text{ mW/cm}^2$ , $\lambda = 870\text{nm}$ , $V_R = 5 \text{ V}$ Photocurrent $I_p (\mu\text{A})$
SFH 2505	Q65110A1203	70 ( $\geq 50$ )
SFH 2500 FA	Q65110A1202	70 ( $\geq 50$ )
SFH 2505 FA	Q65110A1204	70 ( $\geq 50$ )

**Grenzwerte**  
**Maximum Ratings**

Bezeichnung Parameter	Symbol Symbol	Wert Value	Einheit Unit
Betriebs- und Lagertemperatur Operating and storage temperature range	$T_{op}, T_{stg}$	- 40 ... + 85	°C
Sperrspannung Reverse voltage	$V_R$ $V_R (t < 2 \text{ min})$	20 50	V V
Verlustleistung Total power dissipation	$P_{tot}$	100	mW

**Kennwerte** ( $T_A = 25\text{ °C}$ )

**Characteristics**

Bezeichnung Parameter	Symbol Symbol	Wert Value		Einheit Unit
		SFH 2505	SFH 2500FA SFH 2505FA	
Fotostrom Photocurrent $V_R = 5\text{ V}$ , Normlicht/standard light A, $T = 2856\text{ K}$ , $E_V = 1000\text{ lx}$	$I_P$	100	–	$\mu\text{A}$
$V_R = 5\text{ V}$ , $\lambda = 870\text{ nm}$ , $E_e = 1\text{ mW/cm}^2$	$I_P$	70 ( $\geq 50$ )	70 ( $\geq 50$ )	$\mu\text{A}$
Wellenlänge der max. Fotoempfindlichkeit Wavelength of max. sensitivity	$\lambda_{S\text{ max}}$	850	900	nm
Spektraler Bereich der Fotoempfindlichkeit $S = 10\%$ von $S_{\text{max}}$ Spectral range of sensitivity $S = 10\%$ of $S_{\text{max}}$	$\lambda$	400 ... 1100	750 ... 1100	nm
Bestrahlungsempfindliche Fläche Radiant sensitive area	$A$	1	1	$\text{mm}^2$
Abmessung der bestrahlungsempfindlichen Fläche Dimensions of radiant sensitive area	$L \times B$ $L \times W$	$1 \times 1$	$1 \times 1$	mm×mm
Halbwinkel Half angle	$\varphi$	$\pm 15$	$\pm 15$	Grad deg.
Dunkelstrom, $V_R = 20\text{ V}$ Dark current	$I_R$	0.1 ( $\leq 5$ )	0.1 ( $\leq 5$ )	nA
Leerlaufspannung Open-circuit voltage $E_V = 1000\text{ lx}$ , Normlicht/standard light A, $T = 2856\text{ K}$	$V_O$	430	–	mV
$E_e = 0.5\text{ mW/cm}^2$ , $\lambda = 870\text{ nm}$	$V_O$	390 ( $> 320$ )	390 ( $> 320$ )	mV
Kurzschlussstrom Short-circuit current $E_V = 1000\text{ lx}$ , Normlicht/standard light A, $T = 2856\text{ K}$	$I_{SC}$	100	–	$\mu\text{A}$
$E_e = 1.0\text{ mW/cm}^2$ , $\lambda = 870\text{ nm}$	$I_{SC}$	70	70	$\mu\text{A}$
Anstiegs- und Abfallzeit des Fotostromes Rise and fall time of the photocurrent $R_L = 50\ \Omega$ ; $V_R = 20\text{ V}$ ; $\lambda = 850\text{ nm}$	$t_r, t_f$	5	5	ns
Kapazität, $V_R = 0\text{ V}$ , $f = 1\text{ MHz}$ , $E = 0$ Capacitance	$C_0$	11	11	pF

**Kennwerte** ( $T_A = 25\text{ °C}$ )

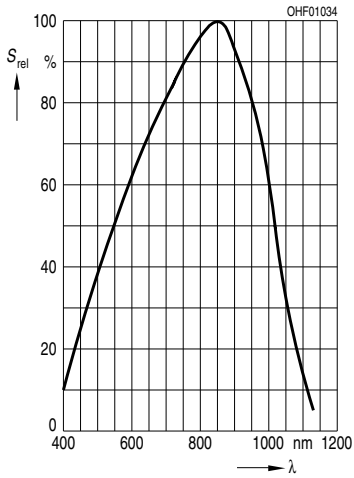
**Characteristics** (cont'd)

Bezeichnung Parameter	Symbol Symbol	Wert Value		Einheit Unit
		SFH 2505	SFH 2500FA SFH 2505FA	
Temperaturkoeffizient von $V_O$ Temperature coefficient of $V_O$	$TC_V$	- 2.6	- 2.6	mV/K
Temperaturkoeffizient von $I_{SC}$ Temperature coefficient of $I_{SC}$ Normlicht/standard light A $\lambda = 870\text{ nm}$	$TC_I$	0.18 0.1	- 0.1	%/K
Rauschäquivalente Strahlungsleistung Noise equivalent power $V_R = 20\text{ V}$ , $\lambda = 850\text{ nm}$	$NEP$	$2.9 \times 10^{-14}$	$2.9 \times 10^{-14}$	$\frac{W}{\sqrt{Hz}}$
Nachweisgrenze, $V_R = 20\text{ V}$ , $\lambda = 850\text{ nm}$ Detection limit	$D^*$	$3.5 \times 10^{12}$	$3.5 \times 10^{12}$	$\frac{cm \times \sqrt{Hz}}{W}$

**Relative Spectral Sensitivity**

$S_{rel} = f(\lambda)$

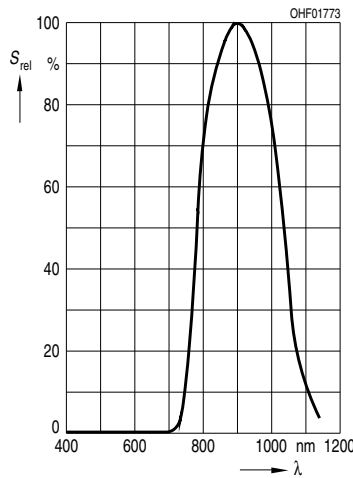
SFH 2500/2505



**Relative Spectral Sensitivity**

$S_{rel} = f(\lambda)$

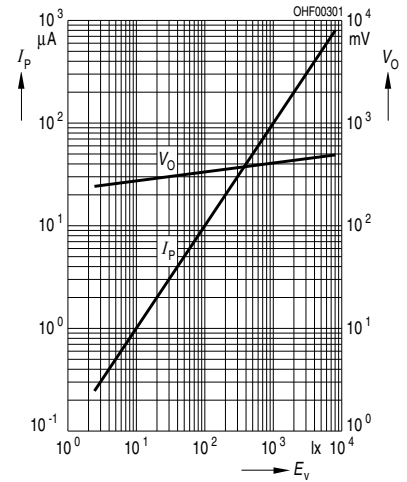
SFH 2500 FA/2505 FA



**Photocurrent  $I_P = f(E_V)$ ,  $V_R = 5 V$**

**Open-Circuit Voltage  $V_O = f(E_V)$**

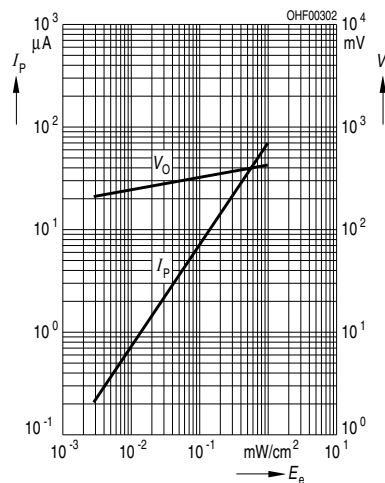
SFH 2500/2505



**Photocurrent  $I_P = f(E_e)$ ,  $V_R = 5 V$**

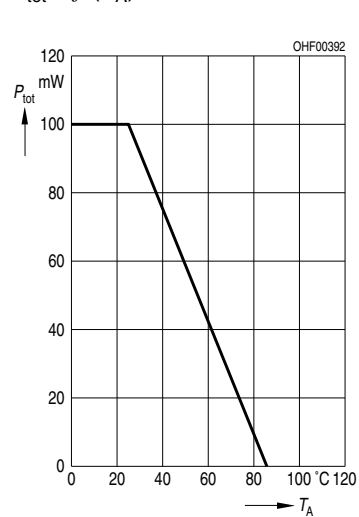
**Open-Circuit-Voltage  $V_O = f(E_e)$**

SFH 2500 FA/2505 FA



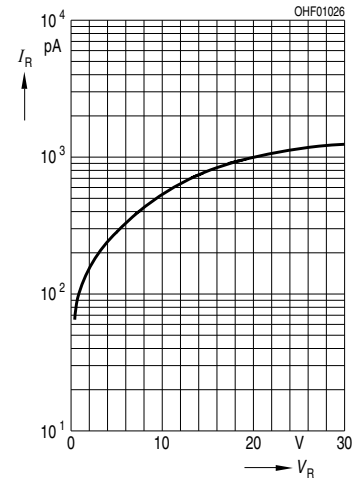
**Total Power Dissipation**

$P_{tot} = f(T_A)$



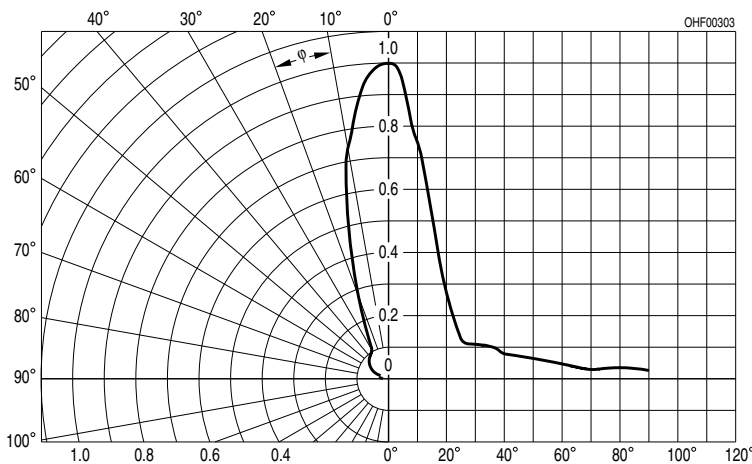
**Dark Current**

$I_R = f(V_R), E = 0$

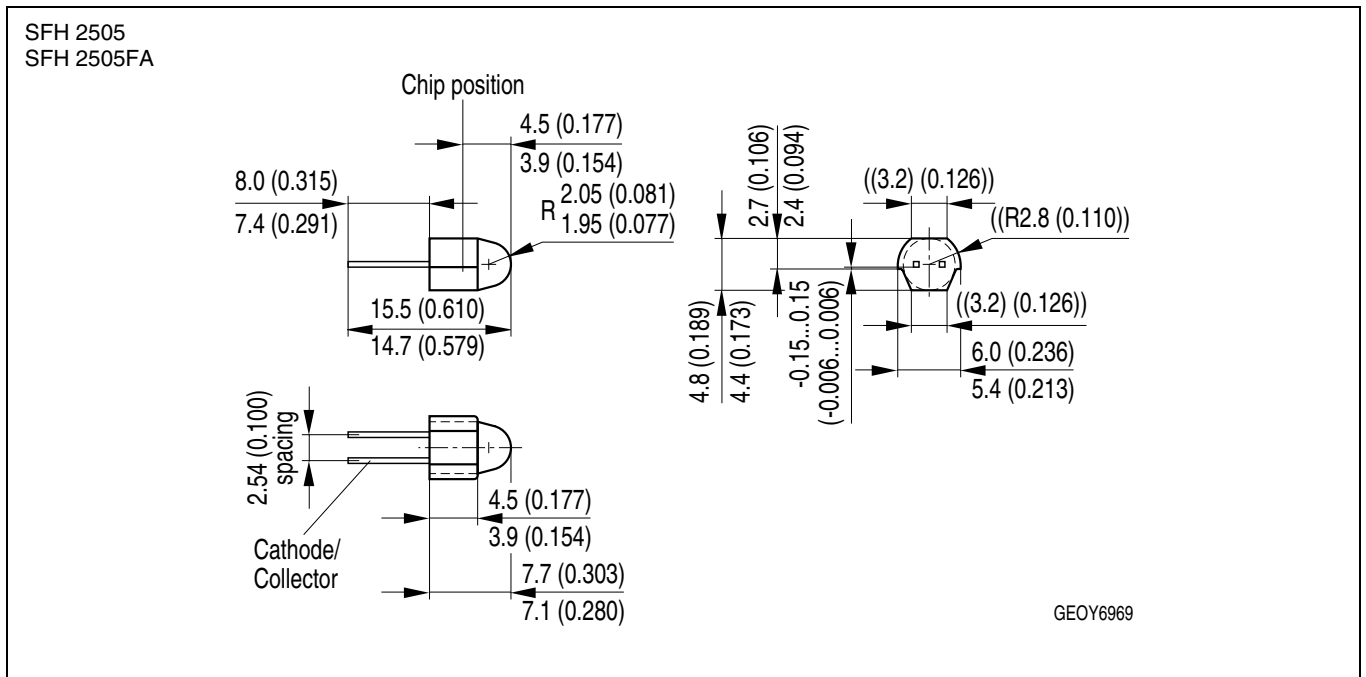
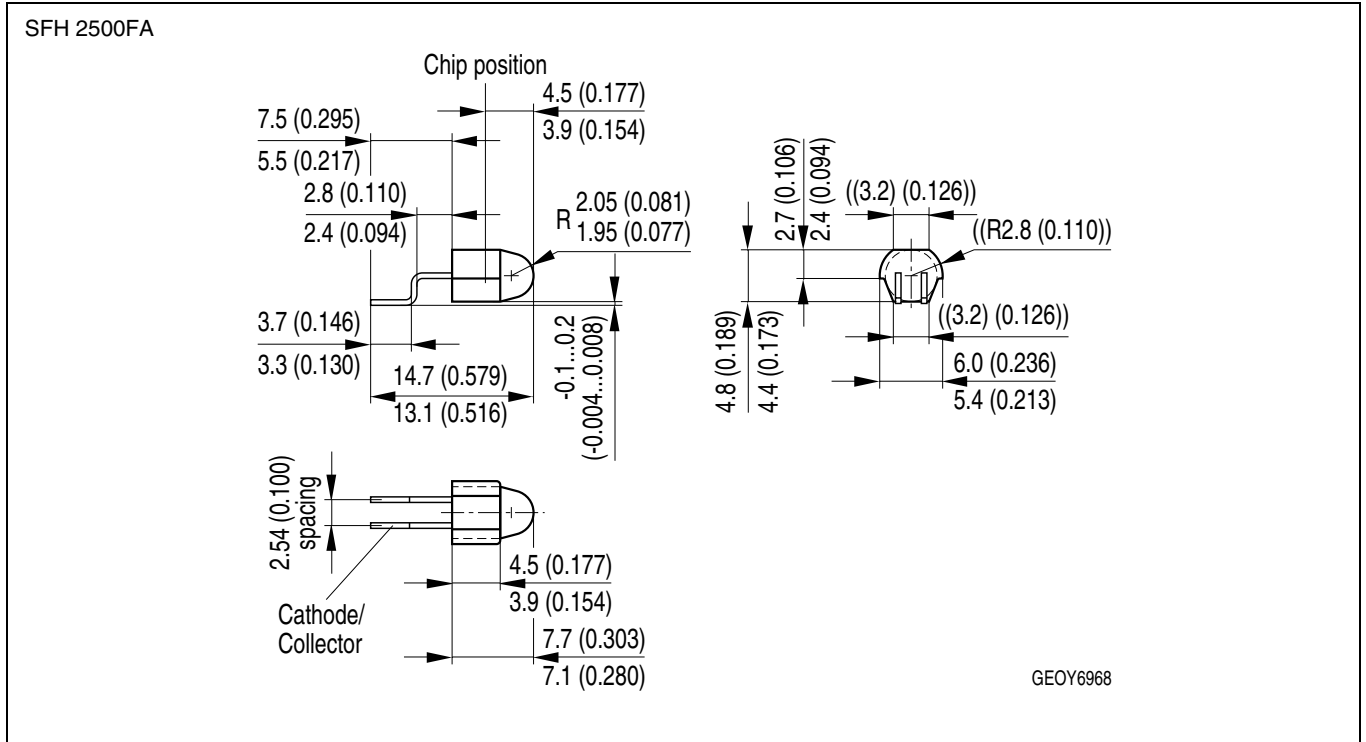


**Directional Characteristics**

$S_{rel} = f(\varphi)$



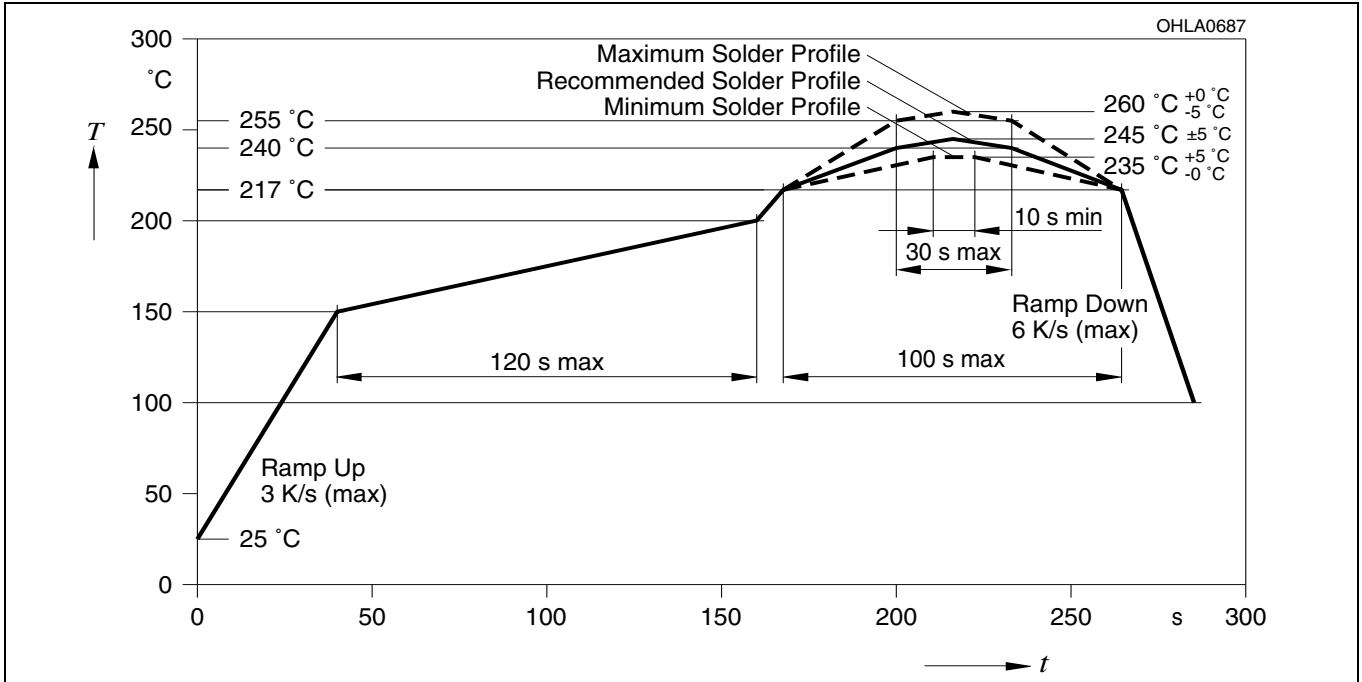
Maßzeichnung  
Package Outlines



Maße in mm (inch) / Dimensions in mm (inch).

**Lötbedingungen**  
**Soldering Conditions**  
**Reflow Lötprofil für bleifreies Löten**  
**Reflow Soldering Profile for lead free soldering**

Vorbehandlung nach JEDEC Level 3  
 Preconditioning acc. to JEDEC Level 3  
 (nach J-STD-020C)  
 (acc. to J-STD-020C)



Published by  
**OSRAM Opto Semiconductors GmbH**  
 Leibnizstraße 4, D-93055 Regensburg  
[www.osram-os.com](http://www.osram-os.com)  
 © All Rights Reserved.  
**Attention please!**

EU RoHS and China RoHS compliant product



此产品符合欧盟 RoHS 指令的要求；  
 按照中国的相关法规和标准，不含有毒有害物质或元素。

The information describes the type of component and shall not be considered as assured characteristics. Terms of delivery and rights to change design reserved. Due to technical requirements components may contain dangerous substances. For information on the types in question please contact our Sales Organization.

**Packing**

Please use the recycling operators known to you. We can also help you – get in touch with your nearest sales office. By agreement we will take packing material back, if it is sorted. You must bear the costs of transport. For packing material that is returned to us unsorted or which we are not obliged to accept, we shall have to invoice you for any costs incurred.

**Components used in life-support devices or systems must be expressly authorized for such purpose!** Critical components<sup>1</sup>, may only be used in life-support devices or systems<sup>2</sup> with the express written approval of OSRAM OS.

<sup>1</sup> A critical component is a component used in a life-support device or system whose failure can reasonably be expected to cause the failure of that life-support device or system, or to affect its safety or effectiveness of that device or system.

<sup>2</sup> Life support devices or systems are intended (a) to be implanted in the human body, or (b) to support and/or maintain and sustain human life. If they fail, it is reasonable to assume that the health of the user may be endangered.