

Si photodiode S8551, S8552, S8553

Photodiodes for VUV (Vacuum UV) detection

S8551, S8552 and S8553 are VUV (Vacuum UV) photodiodes suitable for detection of ArF excimer lasers ($\lambda=193$ nm). Designed to provide optimal performance in the VUV range, these photodiodes offer more stable sensitivity even after long exposure to VUV radiation compared with conventional types.

Features

- Reliable detection improves of ArF excimer laser ($\lambda=193$ nm)
- Large active area
S8551: 5.8 × 5.8 mm
S8552: 10 × 10 mm
S8553: 18 × 18 mm
- Windowless package
S8551: TO-8 metal package
S8552: 16.5 × 15.0 mm ceramic package
S8553: 25.5 × 25.5 mm ceramic package

Applications

- ArF excimer laser detection
- Detection of various UV light sources

■ Absolute maximum ratings (Ta=25 °C)

Parameter	Symbol	Value	Unit
Reverse voltage	VR Max.	5	V
Operating temperature	Topr	-20 to +60 *	°C
Storage temperature	Tstg	-55 to +80 *	°C

* No condensation

■ Electrical and optical characteristics (Ta=25 °C)

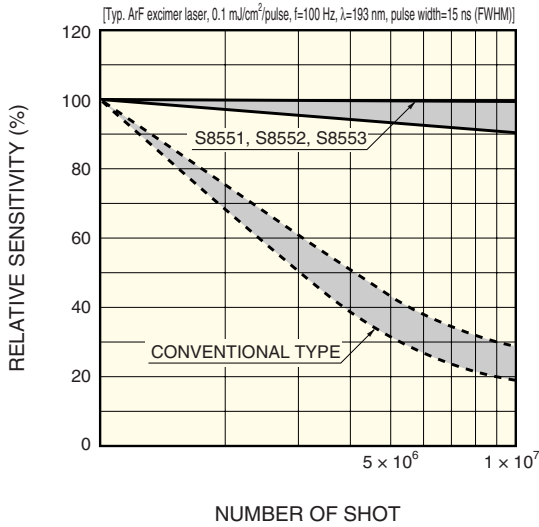
Parameter	Symbol	Condition	S8551			S8552			S8553			Unit
			Min.	Typ.	Max.	Min.	Typ.	Max.	Min.	Typ.	Max.	
Photo sensitivity	S	$\lambda=193$ nm	45	60	-	45	60	-	45	60	-	mA/W
Dark current	Id	VR=10 mV	-	0.02	0.5	-	0.05	1.0	-	0.1	5.0	nA
Terminal capacitance	Ct	VR=0 V, f=10 kHz	-	1.0	-	-	4.0	-	-	8.0	-	nF
Rise time	tr	VR=0 V, RL=1 k Ω 10 to 90 %	-	2	-	-	9	-	-	18	-	μ s

S8551, S8552 and S8553 use windowless packages with no protection on the photodiode chip. Always use the following precautions when handling these photodiodes.

■ Handling precautions

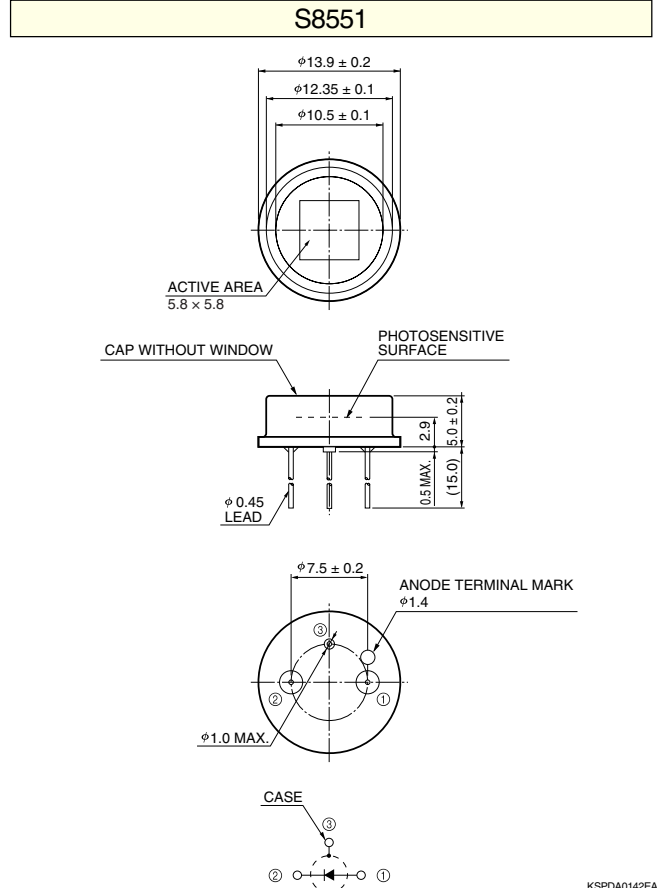
- Handle the photodiodes in a clean room.
- Never touch the photodiode chip surface and wire bonding.
- Wear dust-proof gloves and dust-proof mask.
- Use an air dust cleaner to blow away dust and foreign matter on the photodiode chip surface.
- Do not clean the photodiodes by any method other than air blow.

Variation in sensitivity due to VUV exposure



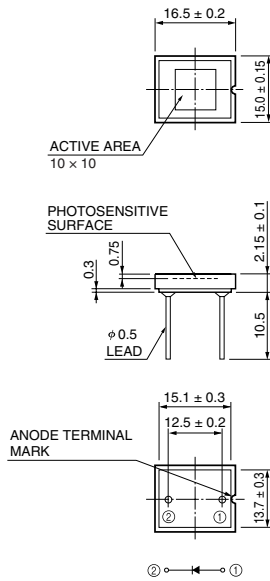
KSPDB0188EB

Dimensional outlines (unit: mm)



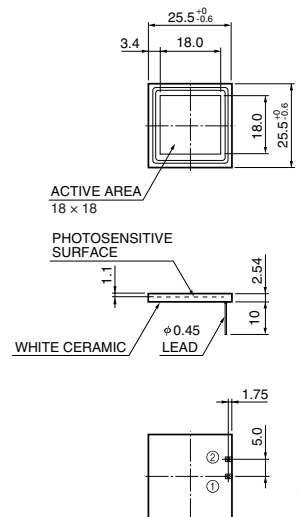
KSPDA0142EA

S8552



KSPDA0143EA

S8553



KSPDA0144EA

HAMAMATSU

Information furnished by HAMAMATSU is believed to be reliable. However, no responsibility is assumed for possible inaccuracies or omissions. Specifications are subject to change without notice. No patent rights are granted to any of the circuits described herein. ©2002 Hamamatsu Photonics K.K.

HAMAMATSU PHOTONICS K.K., Solid State Division

1126-1 Ichino-cho, Hamamatsu City, 435-8558 Japan, Telephone: (81) 053-434-3311, Fax: (81) 053-434-5184, <http://www.hamamatsu.com>

U.S.A.: Hamamatsu Corporation, 360 Foothill Road, P.O. Box 6910, Bridgewater, N.J. 08807-0910, U.S.A., Telephone: (1) 908-231-0960, Fax: (1) 908-231-1218

Germany: Hamamatsu Photonics Deutschland GmbH, Arzbergerstr. 10, D-82211 Herrsching am Ammersee, Germany, Telephone: (49) 08152-3750, Fax: (49) 08152-2658

France: Hamamatsu Photonics France S.A.R.L.: 8, Rue du Saule Trapu, Parc du Moulin de Massy, 91882 Massy Cedex, France, Telephone: 33-(1) 69 53 71 00, Fax: 33-(1) 69 53 71 10

United Kingdom: Hamamatsu Photonics UK Limited, 2 Howard Court, 10 Tewin Road, Welwyn Garden City, Hertfordshire AL7 1BW, United Kingdom, Telephone: (44) 1707-294888, Fax: (44) 1707-325777

North Europe: Hamamatsu Photonics Norden AB, Smidsvågen 12, SE-171 41 Solna, Sweden, Telephone: (46) 8-509-031-00, Fax: (46) 8-509-031-01

Italy: Hamamatsu Photonics Italia S.R.L.: Strada della Moia, 1/E, 20020 Arese, (Milano), Italy, Telephone: (39) 02-935-81-733, Fax: (39) 02-935-81-741

Cat. No. KSPD1050E02
Jul. 2002 DN