

TENTATIVE

TOSHIBA Photocoupler GaAs IRed + Photo-Triac

TLP763JF

- Office Machine
- Household Use Equipment
- Triac Driver
- Solid State Relay

The TOSHIBA TLP763JF consists of a GaAs infrared LED optically coupled to a zero voltage crossing turn-on photo-triac in a 6 lead plastic DIP.

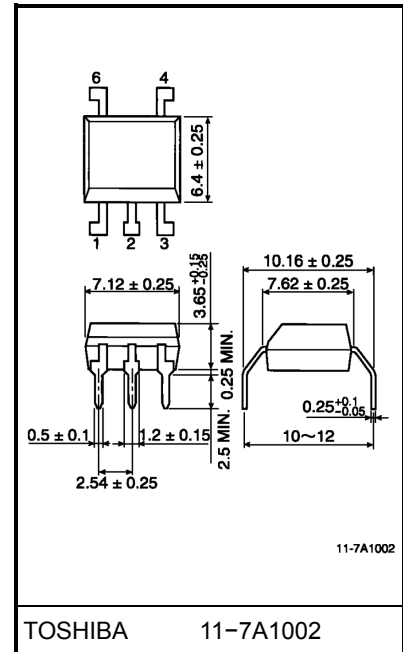
- Peak off-state voltage: 600V (min.)
 - Trigger LED current: 10mA (max.)
 - On-state current: 100mA (max.)
 - UL recognized: UL1577, file No. E67349
 - BSI approved: BS EN60065: 1994,
certificate no. 7831
 - BS EN60950: 1992,
certificate no. 7832
 - SEMKO approved: SS-EN60065 (EN60065, 1993)
SS-EN60950 (EN60950, 1992)
SS-EN60335 (EN60335, 1988)
certificate No. 9522145
 - Isolation voltage: 4000V_{rms} (min.)
 - Option (D4) type
VDE approved: DIN VDE0884 / 06.92,
certificate No. 91803
- Maximum operating insulation voltage: 1130V_{PK}
Highest permissible over voltage: 6000V_{PK}

**(Note) When a VDE0884 approved type is needed,
please designate the " Option (D4) "**

- Creepage distance: 8.0mm (min.)
Clearance: 8.0mm (min.)
Internal creepage path: 4.0mm (min.)
Insulation thickness: 0.4mm (min.)

Please refer to the technical data of TLP763J for maximum ratings and electrical characteristics.

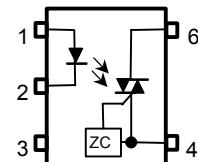
Unit in mm



TOSHIBA 11-7A1002

Weight: 0.42 g

Pin Configuration(top view)



- 1: Anode
- 2: Cathode
- 3: NC
- 4: Triac 1
- 6: Triac 2

RESTRICTIONS ON PRODUCT USE

000707EBC

- TOSHIBA is continually working to improve the quality and reliability of its products. Nevertheless, semiconductor devices in general can malfunction or fail due to their inherent electrical sensitivity and vulnerability to physical stress. It is the responsibility of the buyer, when utilizing TOSHIBA products, to comply with the standards of safety in making a safe design for the entire system, and to avoid situations in which a malfunction or failure of such TOSHIBA products could cause loss of human life, bodily injury or damage to property.
In developing your designs, please ensure that TOSHIBA products are used within specified operating ranges as set forth in the most recent TOSHIBA products specifications. Also, please keep in mind the precautions and conditions set forth in the "Handling Guide for Semiconductor Devices," or "TOSHIBA Semiconductor Reliability Handbook" etc..
- The TOSHIBA products listed in this document are intended for usage in general electronics applications (computer, personal equipment, office equipment, measuring equipment, industrial robotics, domestic appliances, etc.). These TOSHIBA products are neither intended nor warranted for usage in equipment that requires extraordinarily high quality and/or reliability or a malfunction or failure of which may cause loss of human life or bodily injury ("Unintended Usage"). Unintended Usage include atomic energy control instruments, airplane or spaceship instruments, transportation instruments, traffic signal instruments, combustion control instruments, medical instruments, all types of safety devices, etc.. Unintended Usage of TOSHIBA products listed in this document shall be made at the customer's own risk.
- Gallium arsenide (GaAs) is a substance used in the products described in this document. GaAs dust and fumes are toxic. Do not break, cut or pulverize the product, or use chemicals to dissolve them. When disposing of the products, follow the appropriate regulations. Do not dispose of the products with other industrial waste or with domestic garbage.
- The products described in this document are subject to the foreign exchange and foreign trade laws.
- The information contained herein is presented only as a guide for the applications of our products. No responsibility is assumed by TOSHIBA CORPORATION for any infringements of intellectual property or other rights of the third parties which may result from its use. No license is granted by implication or otherwise under any intellectual property or other rights of TOSHIBA CORPORATION or others.
- The information contained herein is subject to change without notice.