

TLP2601

- Isolated Line Receiver
- Simplex / Multiplex Data Transmission
- Computer-Peripheral Interface
- Microprocessor System Interface
- Digital Isolation For A/D, D/A Conversion
- Direct Replacement For HCPL-2601

The TOSHIBA TLP2601 a photocoupler which combines a GaAlAs IRed as the emitter and an integrated high gain, high speed photodetector. The output of the detector circuit is an open collector, Schottky clamped transistor.

A Faraday shield integrated on the photodetector chip reduces the effects of capacitive coupling between the input LED emitter and the high gain stages of the detector. This provides an effective common mode transient immunity of 1000V/μs.

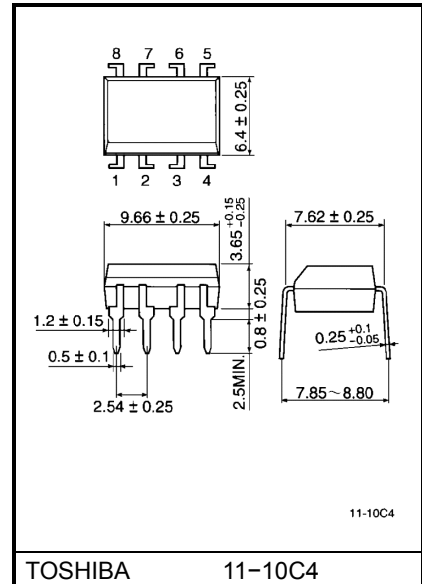
- Input current thresholds: $I_F = 5\text{mA max.}$
- Isolation voltage: 2500Vrms min.
- Switching speed: 10MBd
- Common mode transient immunity: 1000V/μs min.
- Guaranteed performance over temp.: 0°C~70°C
- UL Recognized: UL1577, file No. E67349

Truth Table (positive logic)

Input	Enable	Output
H	H	L
L	H	H
H	L	H
L	L	H

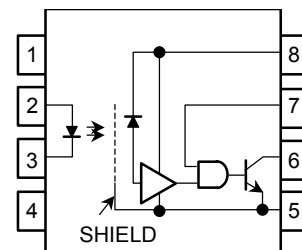
A 0.01 to 0.1μF bypass capacitor must be connected between pins 8 and 5 (see Note 1).

Unit in mm

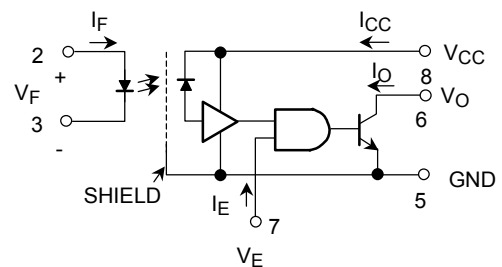


Weight: 0.54g

Pin Configuration (top view)



Schematic



Recommended Operating Conditions

Characteristic	Symbol	Min.	Typ.	Max.	Unit
Input current, low level	I_{FL}	0	—	250	μA
Input current, high level	I_{FH}	6.3 (*)	—	20	mA
Supply voltage, output	V_{CC}	4.5	—	5.5	V
High level enable voltage	V_{EH}	2.0	—	V_{CC}	V
Low level enable voltage	V_{EL}	0	—	0.8	V
Fan out (TTL load)	N	—	—	8	—
Operating temperature	T_{opr}	0	—	70	$^{\circ}C$

(*) 6.3mA is a guard banded value which allows for at least 20% CTR degradation.

Initial input current threshold value is 5.0mA or less.

Maximum Ratings (no derating required)

Characteristic		Symbol	Rating	Unit
LED	Forward current	I_F	20	mA
	Reverse voltage	V_R	5	V
Detector	Output current	I_O	25	mA
	Output voltage	V_O	-0.5~7	V
	Supply voltage (1 minute maximum)	V_{CC}	7	V
	Enable input voltage (not to exceed V_{CC} by more than 500mV)	V_E	5.5	V
	Output collector power dissipation	P_O	40	mW
Operating temperature range		T_{opr}	-40~85	$^{\circ}C$
Storage temperature range		T_{stg}	-55~125	$^{\circ}C$
Lead solder temperature (10s) (**)		T_{sol}	260	$^{\circ}C$
Isolation voltage (R.H. \leq 60%, AC 1min., (Note 10))		BV_S	2500	V _{rms}
			3540	V _{dc}

(**) 1.6mm below seating plane.

Electrical Characteristics (Ta = 0°C ~70°C unless otherwise noted)

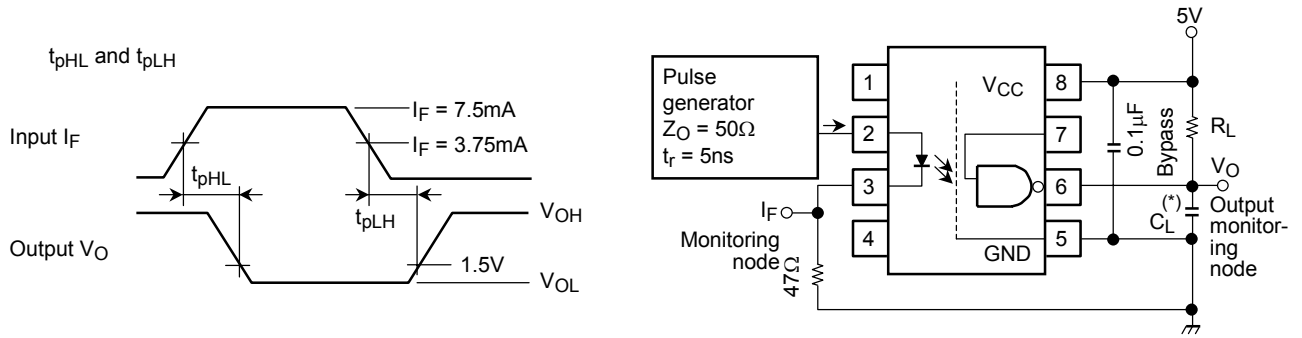
Characteristic	Symbol	Test Condition	Min.	Typ.	Max.	Unit
High level output current	I _{OH}	V _{CC} = 5.5V, V _O = 5.5V I _F = 250μA, V _E = 2.0V	—	1	250	μA
Low level output voltage	V _{OL}	V _{CC} = 5.5V, I _F = 5mA V _E = 2.0V, I _{OL} (sinking) = 13mA	—	0.4	0.6	V
High level supply current	I _{CCH}	V _{CC} = 5.5V, I _F = 0, V _E = 0.5V	—	7	15	mA
Low level supply current	I _{CCL}	V _{CC} = 5.5V, I _F = 10mA V _E = 0.5V	—	12	19	mA
Low level enable current	I _{EL}	V _{CC} = 5.5V, V _E = 0.5V	—	-1.6	-2.0	mA
High level enable current	I _{EH}	V _{CC} = 5.5V, V _E = 2.0V	—	-1	—	mA
High level enable voltage	V _{EH}	(Note 11)	2.0	—	—	V
Low level enable voltage	V _{EL}	—	—	—	0.8	
Input forward voltage	V _F	I _F = 10mA, Ta = 25°C	—	1.65	1.75	V
Input reverse breakdown voltage	BV _R	I _R = 10μA, Ta = 25°C	5	—	—	V
Input capacitance	C _{IN}	V _F = 0, f = 1MHz	—	45	—	pF
Input diode temperature coefficient	ΔV _F /ΔT _A	I _F = 10mA	—	-2.0	—	mV / °C
Input-output insulation leakage current	I _{I-O}	Relative humidity = 45% Ta=25°C, t = 5 second V _{I-O} = 3000Vdc, (Note 10)	—	—	1	μA
Resistance (input-output)	R _{I-O}	V _{I-O} = 500V, R.H. ≤ 60% (Note 10)	5×10 ¹⁰	10 ¹⁴	—	Ω
Capacitance (input-output)	C _{I-O}	f = 1MHz, (Note 10)	—	0.6	—	pF

(**)All typ.values are at V_{CC} = 5V, Ta = 25°C.

Switching Characteristics (Ta = 25°C, VCC = 5 V)

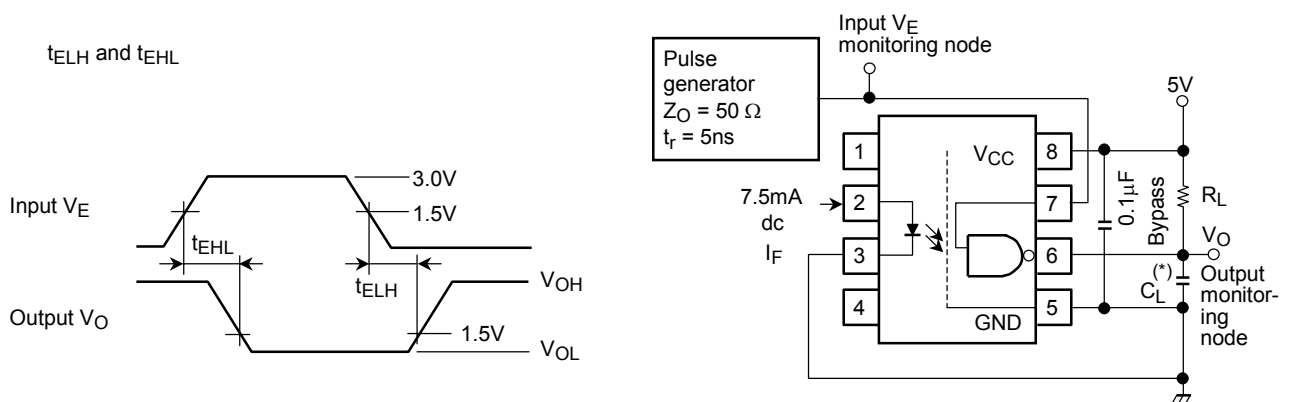
Characteristic	Symbol	Test Circuit	Test Condition	Min.	Typ.	Max.	Unit
Propagation delay time to high output level	t_{pLH}	1	$R_L = 350\Omega$, $C_L = 15pF$ $I_F = 7.5mA$ (Note 2), (Note 3), (Note 4)&(Note 5)	—	60	75	ns
Propagation delay time to low output level	t_{pHL}			—	60	75	ns
Output rise time(10–90%)	t_r			—	30	—	ns
Output fall time(90–10%)	t_f			—	30	—	ns
Propagation delay time of enable from V_{EH} to V_{EL}	t_{ELH}	2	$R_L = 350\Omega$, $C_L = 15pF$ $I_F = 7.5mA$ $V_{EH} = 3.0V$ $V_{EL} = 0.5V$ (Note 6)&(Note 7)	—	25	—	ns
Propagation delay time of enable from V_{EL} to V_{EH}	t_{EHL}			—	25	—	ns
Common mode transient immunity at high output level	CM_H	3	$V_{CM} = 400V$ $R_L = 350\Omega$ $V_{O(min.)} = 2V$ $I_F = 0mA$, (Note 9)	1000	10000	—	V/ μs
Common mode transient immunity at low output level	CM_L			$V_{CM} = 400V$ $R_L = 350\Omega$ $V_{O(max.)} = 0.8V$ $I_F = 7.5mA$, (Note 8)	–1000	–10000	—

Test Circuit 1.



(*) C_L is approximately 15pF which includes probe and stray wiring capacitance.

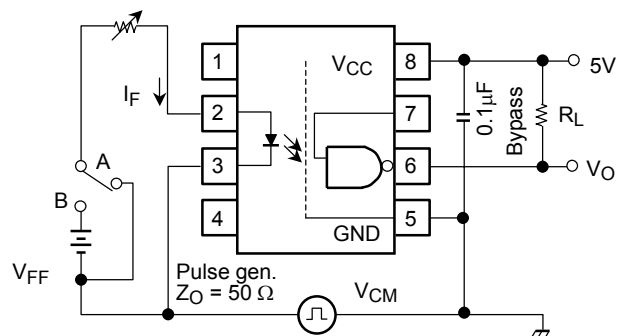
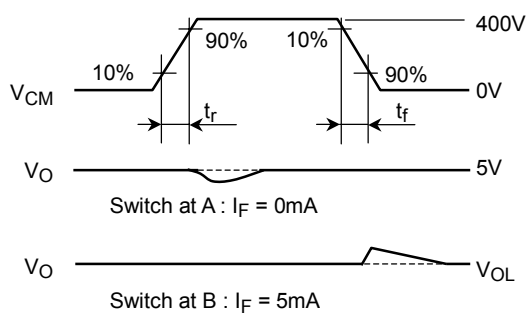
Test Circuit 2.

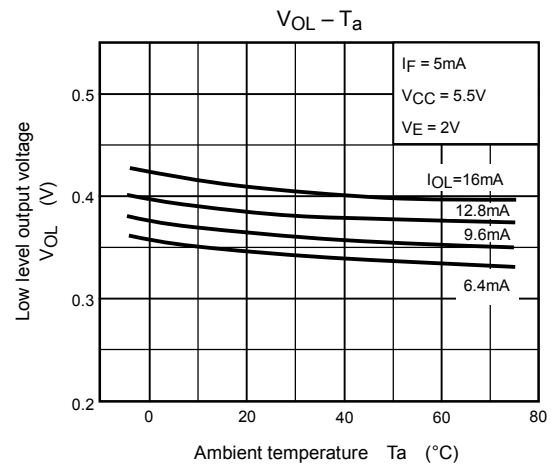
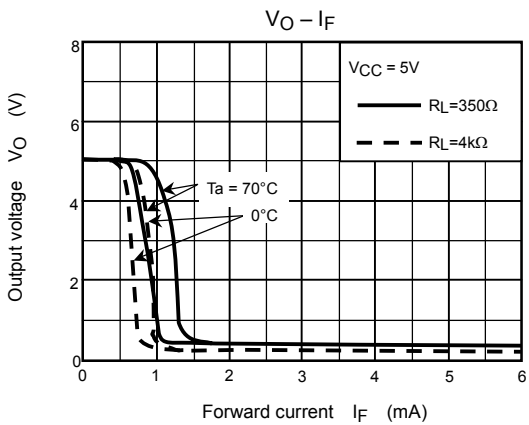
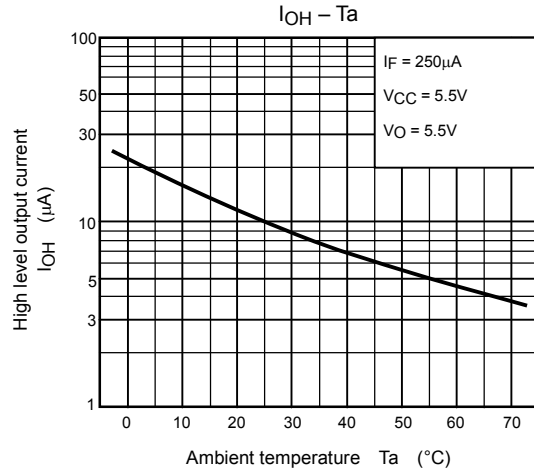
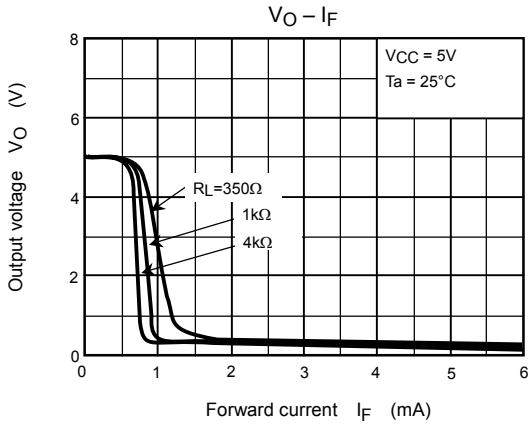
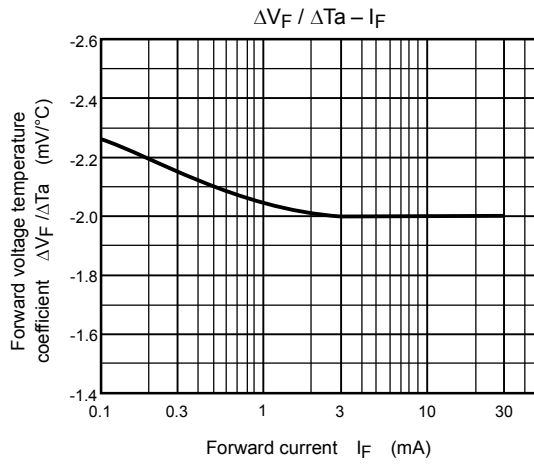
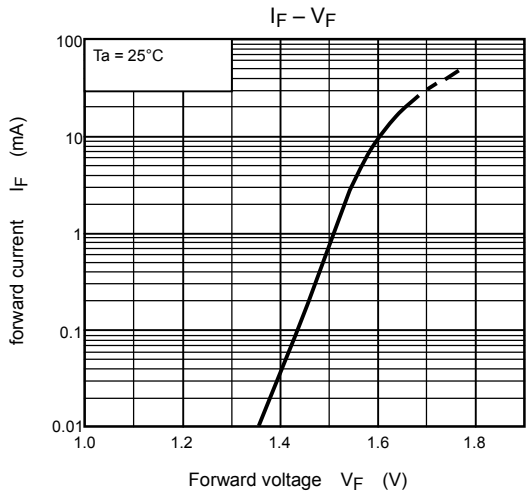


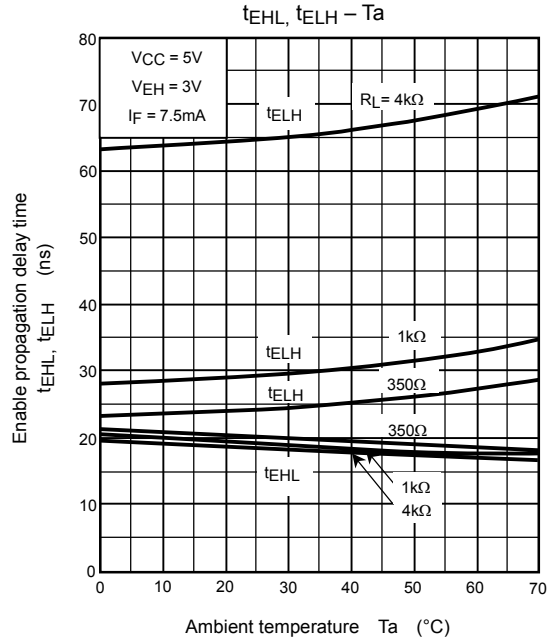
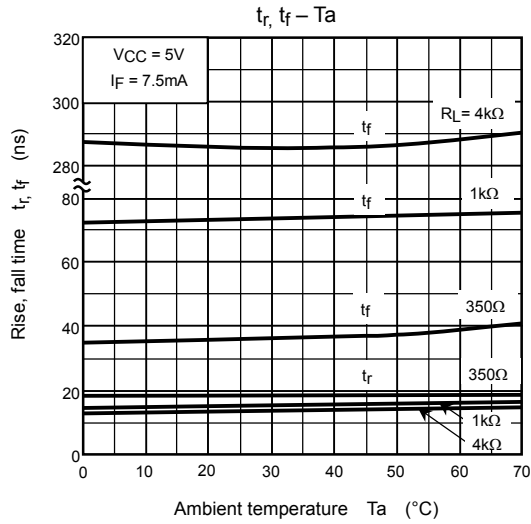
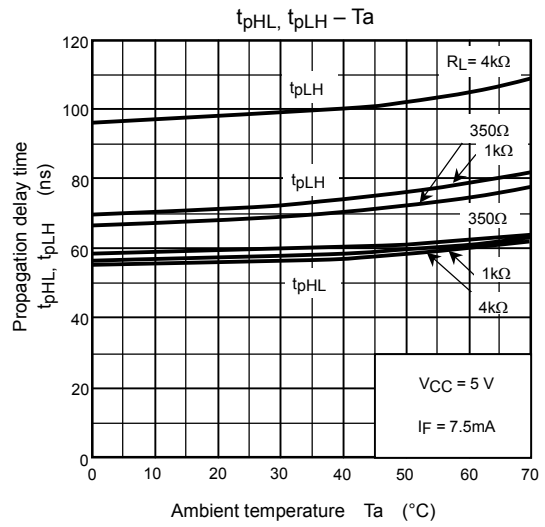
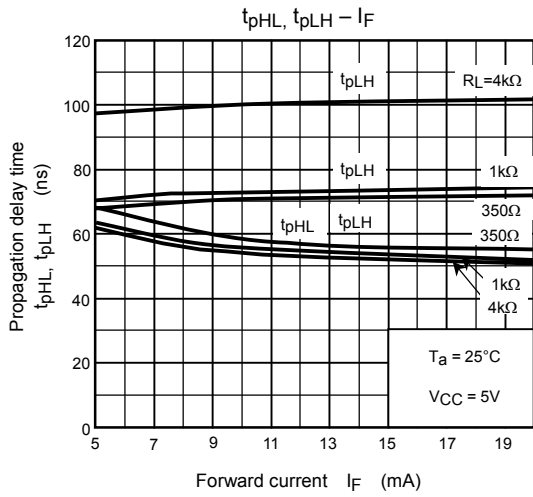
(*) C_L is approximately 15pF which includes probe and stray wiring capacitance.

Test Circuit 3.

Transient Immunity and Typ. Waveforms.







Notes

1. The VCC supply voltage to each TLP2601 isolator must be bypassed by a 0.1μF capacitor of larger. This can be either a ceramic or solid tantalum capacitor with good high frequency characteristic and should be connected as close as possible to the package VCC and GND pins of each device.
2. t_{pHL} · Propagation delay is measured from the 3.75mA level on the low to high transition of the input current pulse to the 1.5V level on the high to low transition of the output voltage pulse.
3. t_{pLH} · Propagation delay is measured from the 3.75mA level on the high to low transition of the input current pulse to the 1.5V level on the low to high transition of the output voltage pulse.
4. t_f · Fall time is measured from the 10% to the 90% levels of the high to low transition on the output pulse.
5. t_r · Rise time is measured from the 90% to 10% levels of the low to high transition on the output pulse.
6. t_{EHL} · Enable input propagation delay is measured from the 1.5V level on the low to high transition of the input voltage pulse to the 1.5V level on the high to low transition of the output voltage pulse.
7. t_{ELH} · Enable input propagation delay is measured from the 1.5V level on the high to low transition of the input voltage pulse to the 1.5V level on the low to high transition of the output voltage pulse.
8. CM_L · The maximum tolerable rate of fall of the common mode voltage to ensure the output will remain in the low output state (i.e., $V_{OUT} < 0.8V$).
Measured in volts per microsecond (V / μs).
9. CM_H · The maximum tolerable rate of fall of the common mode voltage to ensure the output will remain in the high state (i.e., $V_{OUT} > 2.0V$).
Measured in volts per microsecond (V / μs).
Volts/microsecond can be translated to sinusoidal voltages:

$$V / \mu s = \frac{(dV_{CM})}{dt}_{Max.} = f_{CM} V_{CM} (p.p.)$$
 Example:
 $V_{CM} = 318V_{pp}$ when $f_{CM} = 1MHz$ using CM_L and $CM_H = 1000V / \mu s$ data sheet specified minimum.
10. · Device considered a two-terminal device: Pins 1, 2, 3 and 4 shorted together, and Pins 5, 6, 7 and 8 shorted together.
11. Enable input · No pull up resistor required as the device has an internal pull up resistor.

RESTRICTIONS ON PRODUCT USE

000707EBC

- TOSHIBA is continually working to improve the quality and reliability of its products. Nevertheless, semiconductor devices in general can malfunction or fail due to their inherent electrical sensitivity and vulnerability to physical stress. It is the responsibility of the buyer, when utilizing TOSHIBA products, to comply with the standards of safety in making a safe design for the entire system, and to avoid situations in which a malfunction or failure of such TOSHIBA products could cause loss of human life, bodily injury or damage to property.
In developing your designs, please ensure that TOSHIBA products are used within specified operating ranges as set forth in the most recent TOSHIBA products specifications. Also, please keep in mind the precautions and conditions set forth in the "Handling Guide for Semiconductor Devices," or "TOSHIBA Semiconductor Reliability Handbook" etc..
- The TOSHIBA products listed in this document are intended for usage in general electronics applications (computer, personal equipment, office equipment, measuring equipment, industrial robotics, domestic appliances, etc.). These TOSHIBA products are neither intended nor warranted for usage in equipment that requires extraordinarily high quality and/or reliability or a malfunction or failure of which may cause loss of human life or bodily injury ("Unintended Usage"). Unintended Usage include atomic energy control instruments, airplane or spaceship instruments, transportation instruments, traffic signal instruments, combustion control instruments, medical instruments, all types of safety devices, etc.. Unintended Usage of TOSHIBA products listed in this document shall be made at the customer's own risk.
- Gallium arsenide (GaAs) is a substance used in the products described in this document. GaAs dust and fumes are toxic. Do not break, cut or pulverize the product, or use chemicals to dissolve them. When disposing of the products, follow the appropriate regulations. Do not dispose of the products with other industrial waste or with domestic garbage.
- The products described in this document are subject to the foreign exchange and foreign trade laws.
- The information contained herein is presented only as a guide for the applications of our products. No responsibility is assumed by TOSHIBA CORPORATION for any infringements of intellectual property or other rights of the third parties which may result from its use. No license is granted by implication or otherwise under any intellectual property or other rights of TOSHIBA CORPORATION or others.
- The information contained herein is subject to change without notice.