

**HIGH NOISE REDUCTION, HIGH-SPEED 10 Mbps  
 TOTEM POLE OUTPUT TYPE  
 8-PIN DIP PHOTOCOUPLER**

–NEPOC™ Series–

### DESCRIPTION

The PS9611 and PS9611L are optically coupled high-speed, totem pole output isolators containing a GaAIAs LED on the input side and a photodiode and a signal processing circuit on the output side on one chip.

The PS9611 is in a plastic DIP (Dual In-line Package) and the PS9611L is lead bending type (Gull-wing) for surface mounting.

### FEATURES

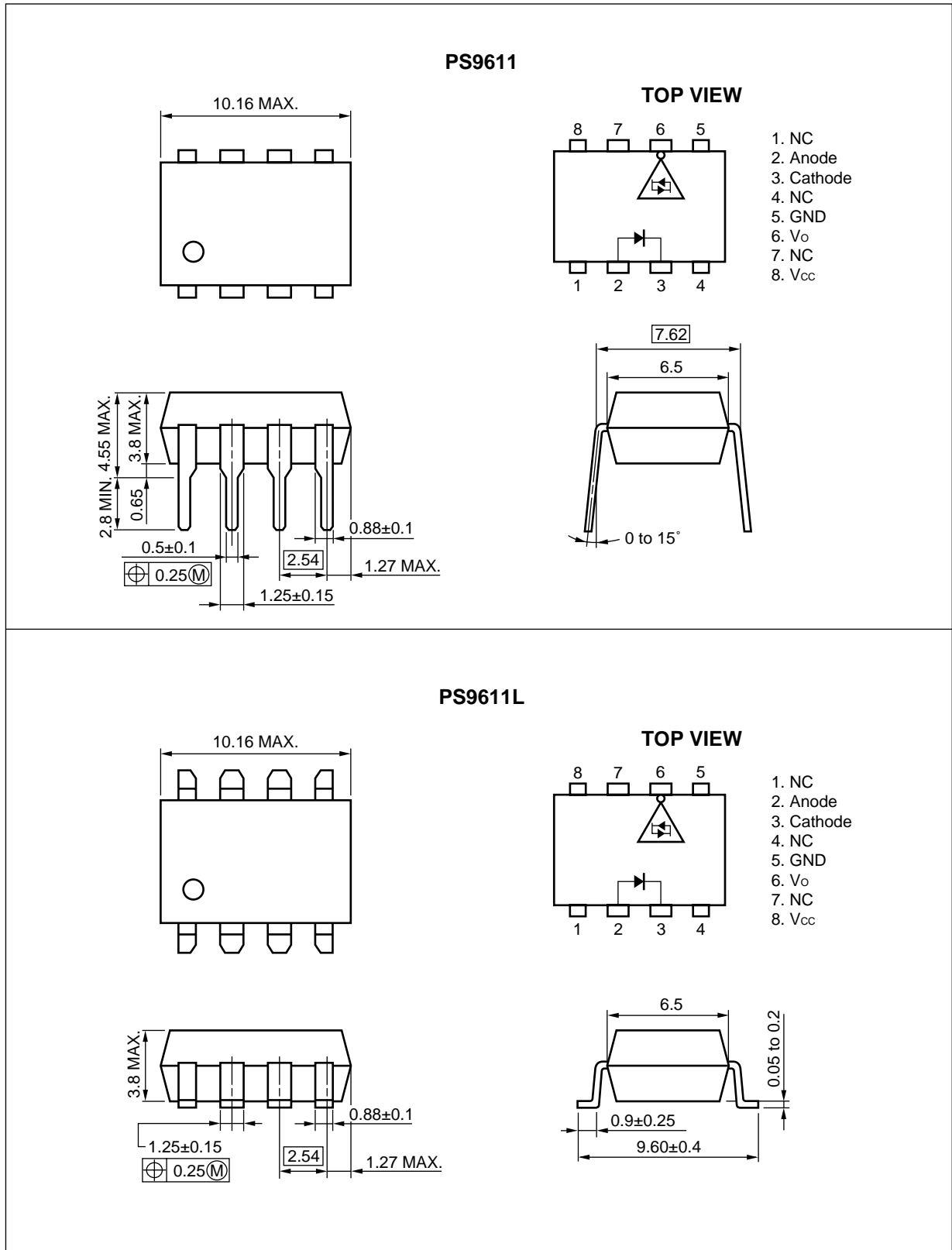
- High common mode transient immunity ( $CM_H, CM_L = \pm 10 \text{ kV}/\mu\text{s}$  TYP.)
- ★ • High-speed response ( $t_{PHL} = 30 \text{ ns}$  TYP.,  $t_{PLH} = 35 \text{ ns}$  TYP.)
- ★ • Pulse width distortion ( $|t_{PHL} - t_{PLH}| = 5 \text{ ns}$  TYP.)
- Totem pole output (No pull-up resistor required)
- Ordering number of tape product: PS9611L-E3, E4: 1 000 pcs/reel
- ★ • Safety standards
  - UL approved: File No. E72422 (S)
  - VDE0884 approved (Option) : No.91877

### APPLICATIONS

- Computer and peripheral manufactures
- Measurement equipment
- PDP

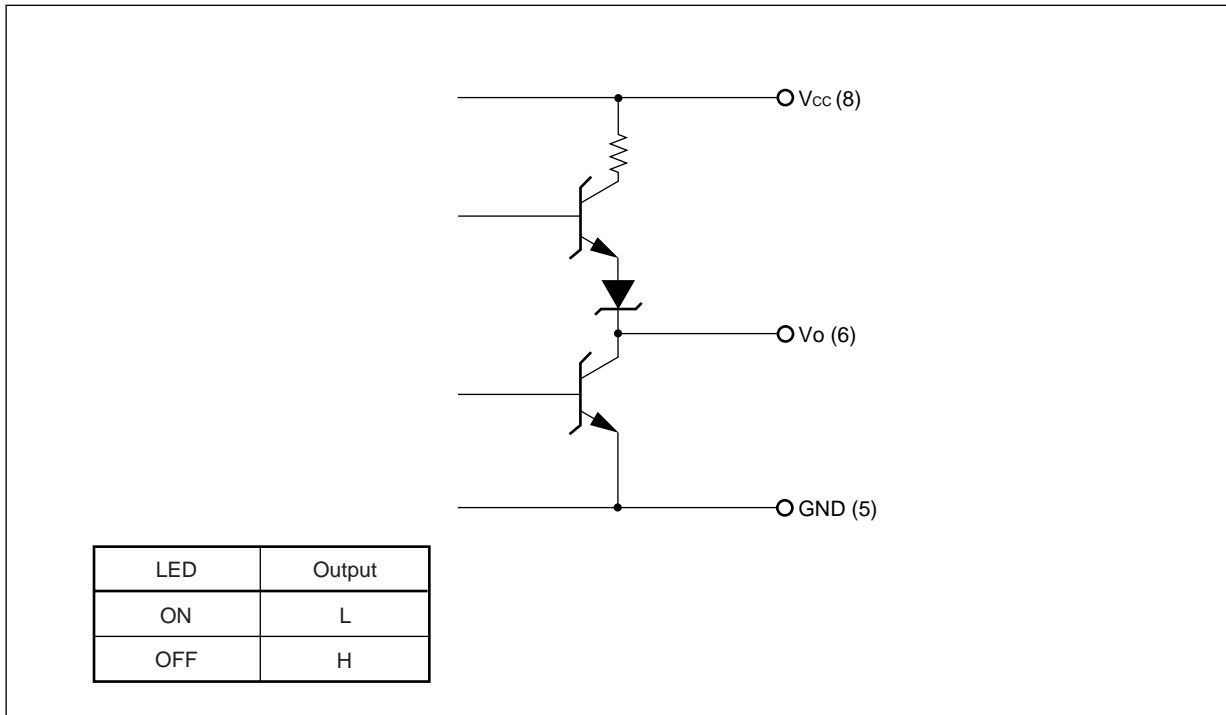
The information in this document is subject to change without notice. Before using this document, please confirm that this is the latest version.  
 Not all devices/types available in every country. Please check with local NEC representative for availability and additional information.

★ PACKAGE DIMENSIONS (UNIT: mm)

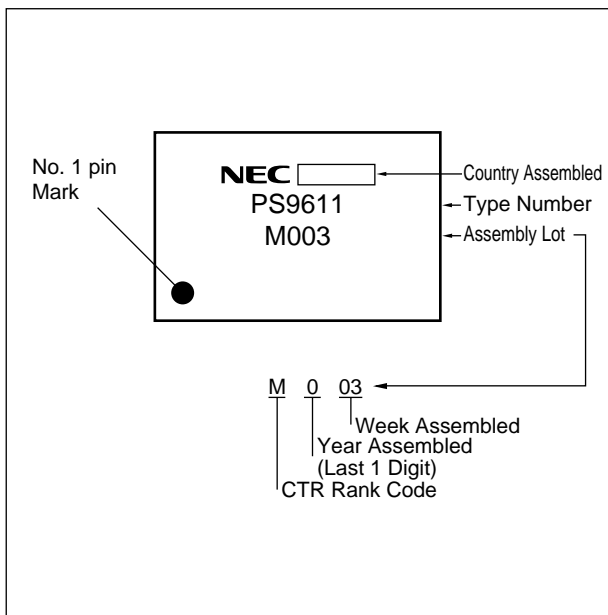


### PS9611L

★ INTERNAL OUTPUT CIRCUIT



★ MARKING EXAMPLE



★ ORDERING INFORMATION

Part Number	Package	Packing Style	Safety Standards Approval	Application Part Number <sup>*1</sup>	
PS9611	8-pin DIP	Magazine case 50 pcs	Approved products other than VDE	PS9611	
PS9611L				PS9611L	
PS9611L-E3		Embossed Tape 1 000 pcs/reel		VDE0884 approved (Option)	PS9611
PS9611L-E4					
PS9611-V		Magazine case 50 pcs	PS9611		
PS9611L-V					PS9611L
PS9611L-V-E3		Embossed Tape 1 000 pcs/reel	PS9611		
PS9611L-V-E4				PS9611L	

\*1 For the application of the Safety Standard, following part number should be used.

**ABSOLUTE MAXIMUM RATINGS (T<sub>A</sub> = 25 °C, unless otherwise specified)**

Parameter		Symbol	Ratings	Unit
Diode	Forward Current	I <sub>F</sub>	30	mA
	Reverse Voltage	V <sub>R</sub>	3.0	V
Detector	Supply Voltage	V <sub>CC</sub>	7	V
	Output Voltage	V <sub>O</sub>	7	V
	High Level Output Current <sup>*1</sup>	I <sub>OH</sub>	-5	mA
	Low Level Output Current <sup>*1</sup>	I <sub>OL</sub>	25	mA
	Power Dissipation <sup>*1,2</sup>	P <sub>C</sub>	150	mW
Isolation Voltage <sup>*3</sup>		BV	3 750	Vr.m.s.
Operating Ambient Temperature		T <sub>A</sub>	-40 to +85	°C
Storage Temperature		T <sub>stg</sub>	-55 to +125	°C

\*1 T<sub>A</sub> = -40 to +85 °C

★ \*2 Applies to output pin V<sub>O</sub> and power supply pin V<sub>CC</sub>.

\*3 AC voltage for 1 minute at T<sub>A</sub> = 25 °C, RH = 60 % between input and output.

**RECOMMENDED OPERATING CONDITIONS**

Parameter	Symbol	MIN.	TYP.	MAX.	Unit
High Level Input Current	I <sub>FH</sub>	7.5		12.5	mA
Low Level Input Current	I <sub>FL</sub>	0		250	μA
Supply Voltage	V <sub>CC</sub>	4.5	5.0	5.5	V
TTL (loads)	N			5	

**ELECTRICAL CHARACTERISTICS (T<sub>A</sub> = -40 to +85 °C, unless otherwise specified)**

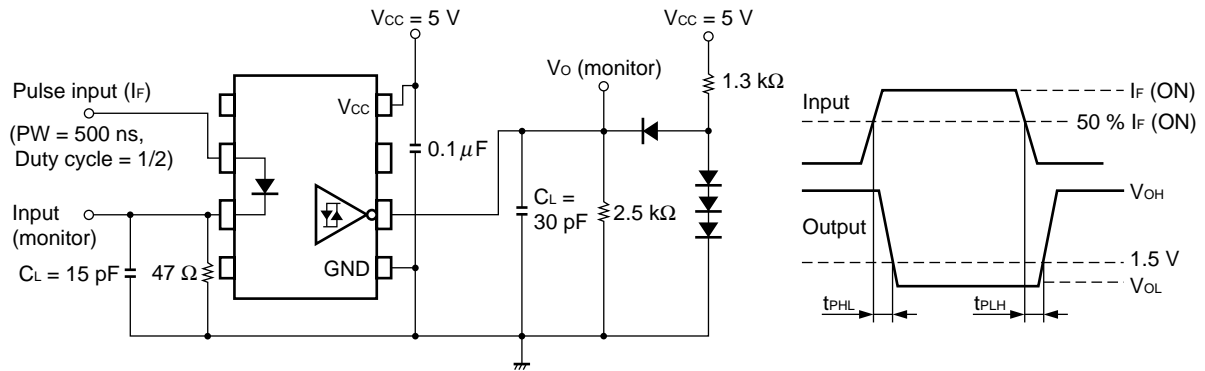
Parameter		Symbol	Conditions	MIN.	TYP. <sup>1</sup>	MAX.	Unit	
Diode	Forward Voltage	V <sub>F</sub>	I <sub>F</sub> = 10 mA, T <sub>A</sub> = 25 °C	1.4	1.65	1.9	V	
	Reverse Current	I <sub>R</sub>	V <sub>R</sub> = 3 V, T <sub>A</sub> = 25 °C			10	μA	
	Terminal Capacitance	C <sub>t</sub>	V = 0 V, f = 1 MHz, T <sub>A</sub> = 25 °C		30		pF	
Detector	High Level Output Current	I <sub>OH</sub>	V <sub>CC</sub> = V <sub>O</sub> = 5.5 V, I <sub>F</sub> = 250 μA		1	200	μA	
	High Level Output Voltage	V <sub>OH</sub>	V <sub>CC</sub> = 4.5 V, I <sub>F</sub> = 250 μA, I <sub>OH</sub> = -2 mA	2.4	3.0		V	
	Low Level Output Voltage	V <sub>OL</sub>	V <sub>CC</sub> = 4.5 V, I <sub>F</sub> = 7 mA, I <sub>O</sub> = 8 mA		0.38	0.6	V	
	High Level Supply Current	I <sub>CCH</sub>	V <sub>CC</sub> = 5.5 V, I <sub>F</sub> = 0 mA		11	17	mA	
	Low Level Supply Current	I <sub>CCL</sub>	V <sub>CC</sub> = 5.5 V, I <sub>F</sub> = 10 mA		12	18	mA	
	High Level Output Short Circuit Current	I <sub>OSH</sub>	V <sub>CC</sub> = 5.5 V, V <sub>O</sub> = GND, I <sub>F</sub> = 0 mA, 10 ms or less		-26		mA	
	Low Level Output Short Circuit Current	I <sub>OSL</sub>	V <sub>CC</sub> = V <sub>O</sub> = 5.5 V, I <sub>F</sub> = 8 mA, 10 ms or less		34		mA	
Coupled	Threshold Input Current (H → L)	I <sub>FHL</sub>	V <sub>CC</sub> = 5 V	T <sub>A</sub> = 25 °C		2.7	5	mA
							6	
	Threshold Input Current (L → H)	I <sub>FLH</sub>	V <sub>CC</sub> = 5 V	T <sub>A</sub> = 25 °C	0.5			mA
					0.35			
	Isolation Resistance	R <sub>I-O</sub>	V <sub>I-O</sub> = 1 kV <sub>DC</sub> , RH = 40 to 60 %, T <sub>A</sub> = 25 °C	10 <sup>11</sup>			Ω	
	Isolation Capacitance	C <sub>I-O</sub>	V = 0 V, f = 1 MHz, T <sub>A</sub> = 25 °C		0.9		pF	
	Propagation Delay Time (H → L) <sup>2</sup>	t <sub>PHL</sub>	V <sub>CC</sub> = 5 V, I <sub>F</sub> = 7.5 mA	T <sub>A</sub> = 25 °C	15	30	65	ns
					10		85	
	Propagation Delay Time (L → H) <sup>2</sup>	t <sub>PLH</sub>	V <sub>CC</sub> = 5 V, I <sub>F</sub> = 7.5 mA	T <sub>A</sub> = 25 °C	15	35	65	ns
10						85		
Pulse Width Distortion (PWD) <sup>2</sup>	t <sub>PHL</sub> -t <sub>PLH</sub>	V <sub>CC</sub> = 5 V, I <sub>F</sub> = 7.5 mA		5	35	ns		
Common Mode Transient Immunity at High Level Output <sup>3</sup>	CM <sub>H</sub>	V <sub>CC</sub> = 5 V, T <sub>A</sub> = 25 °C, I <sub>F</sub> = 0 mA, V <sub>O(MIN)</sub> = 2 V, V <sub>CM</sub> = 100 V		1	10		kV/μs	
Common Mode Transient Immunity at Low Level Output <sup>3</sup>	CM <sub>L</sub>	V <sub>CC</sub> = 5 V, T <sub>A</sub> = 25 °C, I <sub>F</sub> = 7.5 mA, V <sub>O(MAX)</sub> = 0.8 V, V <sub>CM</sub> = 100 V		1	10		kV/μs	

★

★

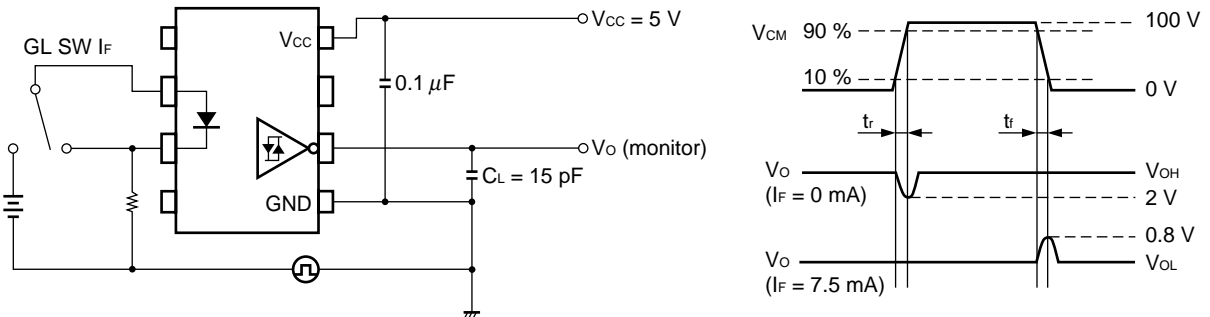
\*1 Typical values at  $T_A = 25\text{ }^\circ\text{C}$

\*2 Test circuit for propagation delay time



$C_L$  includes probe and stray wiring capacitance.

\*3 Test circuit for common mode transient immunity

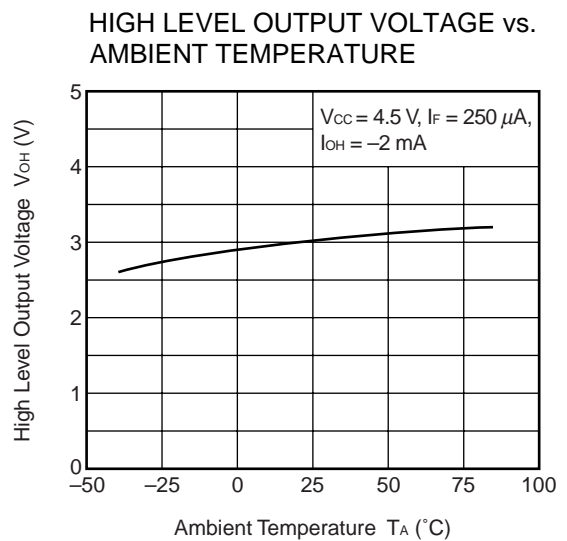
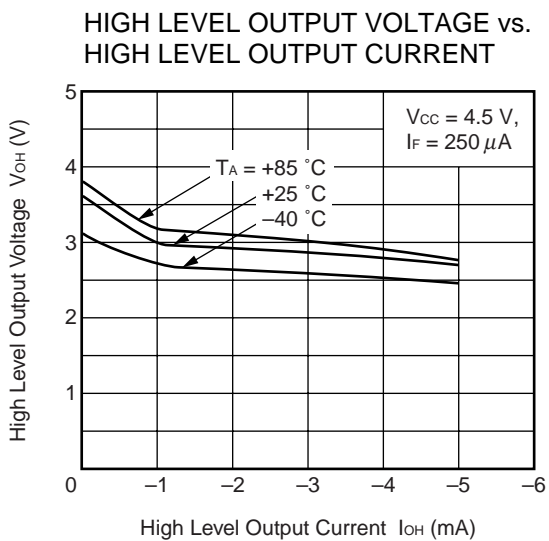
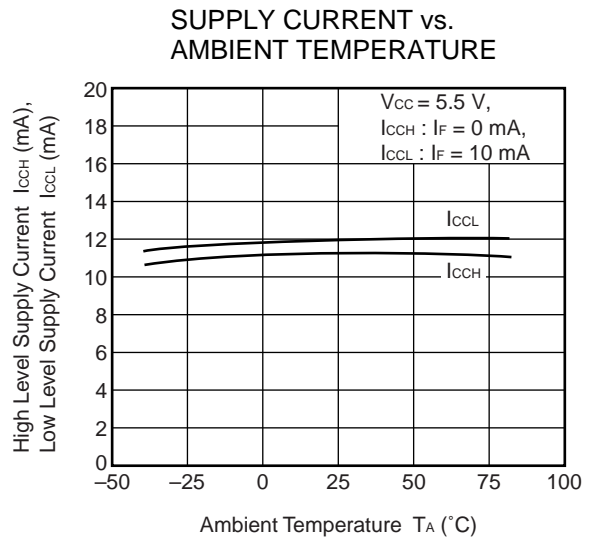
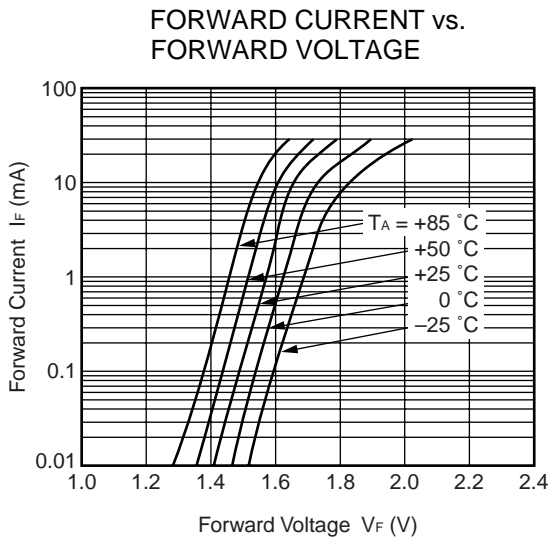
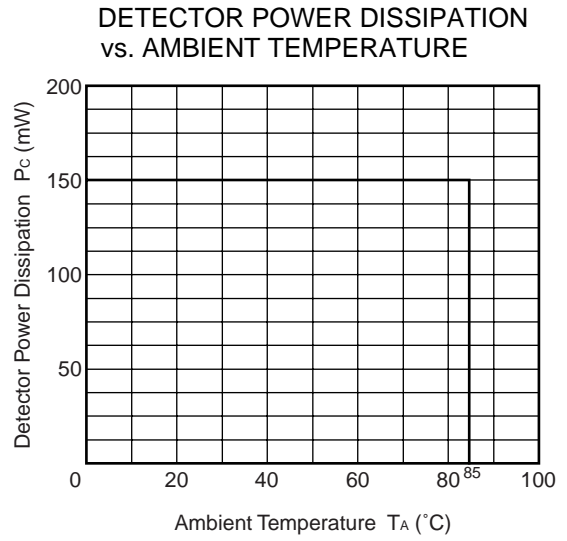
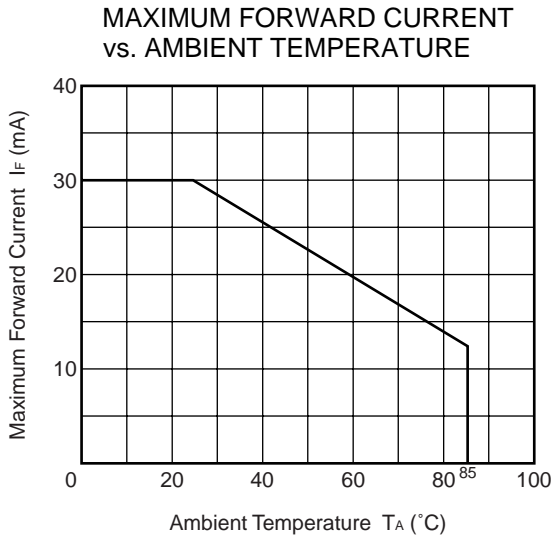


$C_L$  includes probe and stray wiring capacitance.

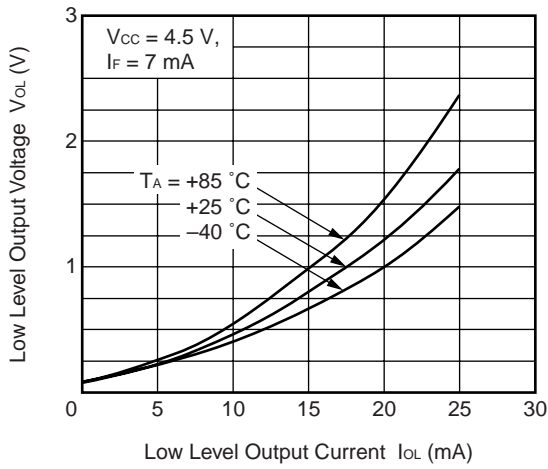
### USAGE CAUTIONS

1. This product is weak for static electricity by designed with high-speed integrated circuit so protect against static electricity when handling.
- ★ 2. By-pass capacitor of more than  $0.1\text{ }\mu\text{F}$  is used between  $V_{CC}$  and GND near device. Also, ensure that the distance between the leads of the photocoupler and capacitor is no more than 10 mm.

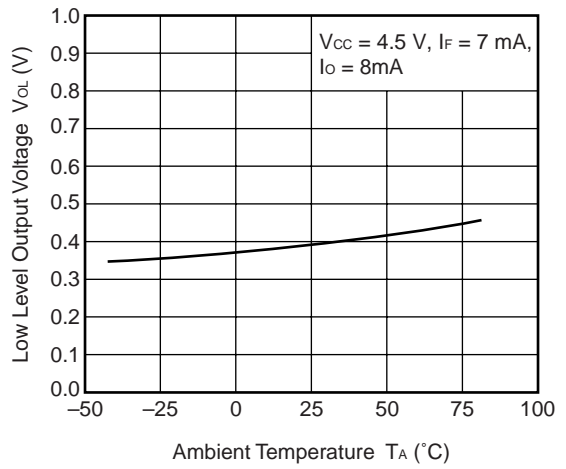
TYPICAL CHARACTERISTICS (T<sub>A</sub> = 25 °C, unless otherwise specified)



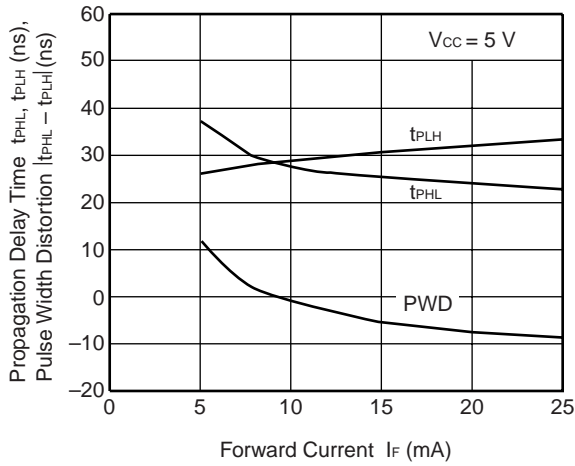
LOW LEVEL OUTPUT VOLTAGE vs. LOW LEVEL OUTPUT CURRENT



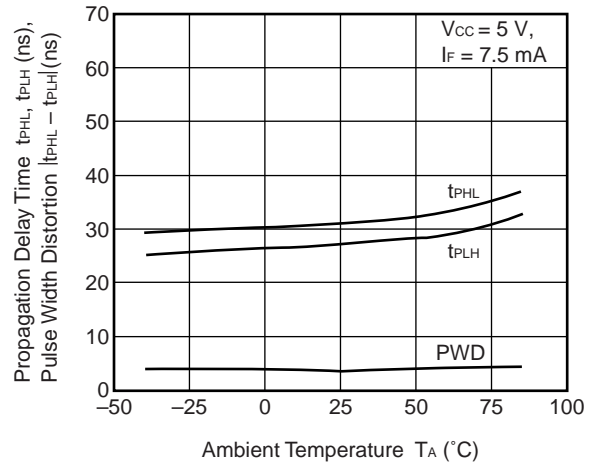
LOW LEVEL OUTPUT VOLTAGE vs. AMBIENT TEMPERATURE



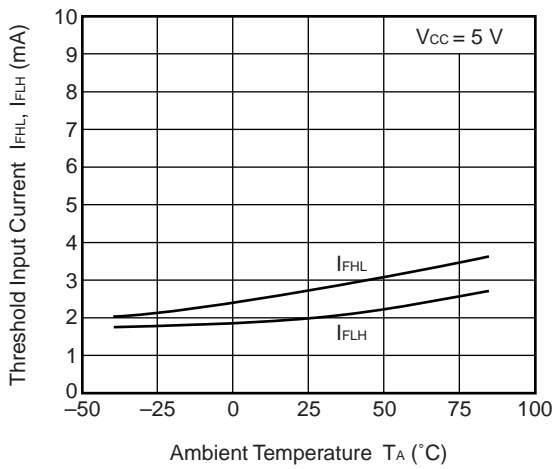
PROPAGATION DELAY TIME, PULSE WIDTH DISTORTION vs. FORWARD CURRENT



PROPAGATION DELAY TIME, PULSE WIDTH DISTORTION vs. AMBIENT TEMPERATURE



THRESHOLD INPUT CURRENT vs. AMBIENT TEMPERATURE

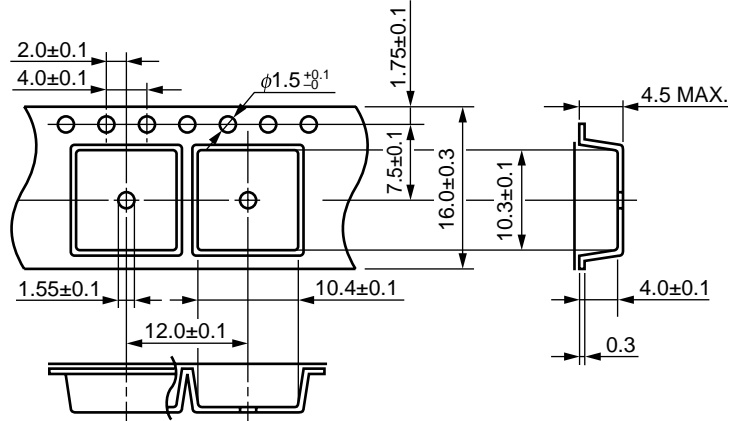


**Remark** The graphs indicate nominal characteristics.

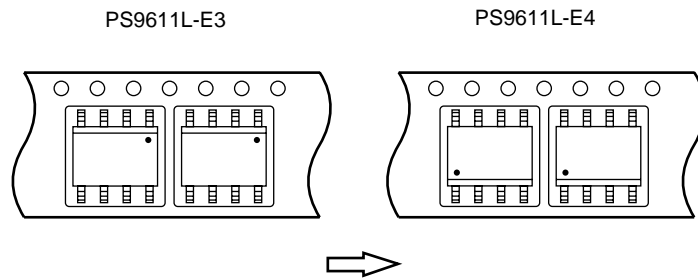


★ TAPING SPECIFICATIONS (UNIT: mm)

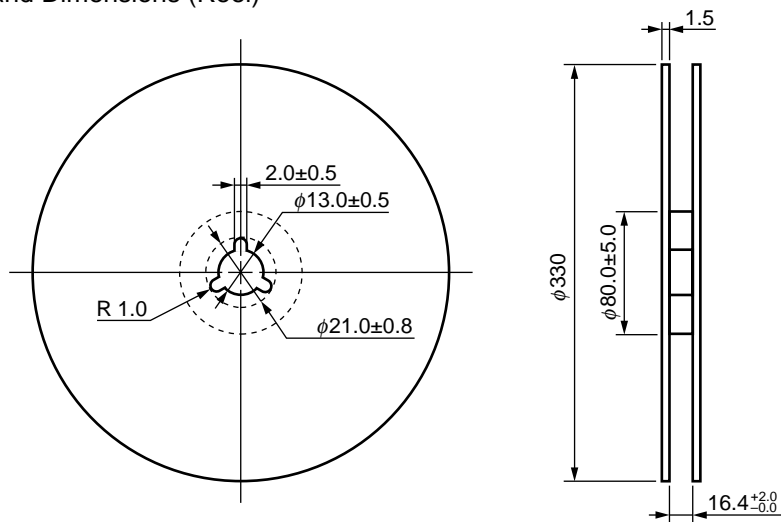
Outline and Dimensions (Tape)



Tape Direction



Outline and Dimensions (Reel)



Packing: 1 000 pcs/reel

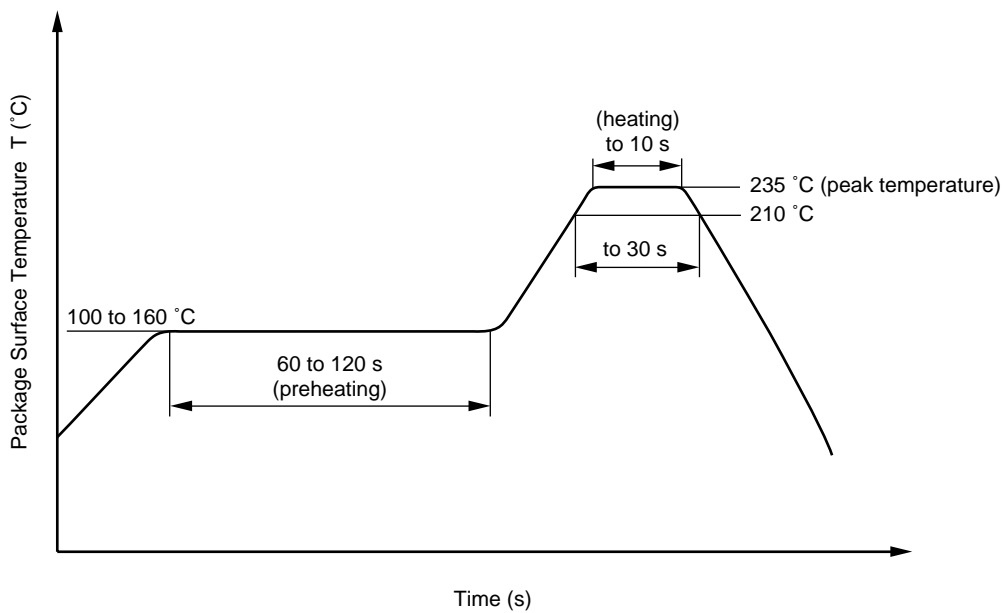
★ NOTES ON HANDLING

**Recommended soldering conditions**

**(1) Infrared reflow soldering**

- Peak reflow temperature 235 °C or below (package surface temperature)
- Time of temperature higher than 210 °C 30 seconds or less
- Number of reflows Three
- Flux Rosin flux containing small amount of chlorine (The flux with a maximum chlorine content of 0.2 Wt % is recommended.)

Recommended Temperature Profile of Infrared Reflow



**(2) Wave soldering**

- Temperature 260 °C or below (molten solder temperature)
- Time 10 seconds or less
- Preheating conditions 100 °C or below (package surface temperature)
- Number of times One (Allowed to be dipped in solder including plastic mold portion.)
- Flux Rosin flux containing small amount of chlorine (The flux with a maximum chlorine content of 0.2 Wt % is recommended.)

**(3) Cautions**

- Fluxes  
Avoid removing the residual flux with freon-based and chlorine-based cleaning solvent.

[MEMO]

**SAFETY INFORMATION ON THIS PRODUCT**

<p><b>Caution</b></p>	<p>GaAs Products</p>	<p>The product contains gallium arsenide, GaAs. GaAs vapor and powder are hazardous to human health if inhaled or ingested.</p> <ul style="list-style-type: none"> <li>• Do not destroy or burn the product.</li> <li>• Do not cut or cleave off any part of the product.</li> <li>• Do not crush or chemically dissolve the product.</li> <li>• Do not put the product in the mouth.</li> </ul> <p>Follow related laws and ordinances for disposal. The product should be excluded from general industrial waste or household garbage.</p>
-----------------------	----------------------	---

**NEPOC is a trademark of NEC Corporation.**

<ul style="list-style-type: none"> <li>• <b>The information in this document is current as of May, 2001. The information is subject to change without notice. For actual design-in, refer to the latest publications of NEC's data sheets or data books, etc., for the most up-to-date specifications of NEC semiconductor products. Not all products and/or types are available in every country. Please check with an NEC sales representative for availability and additional information.</b></li> <li>• No part of this document may be copied or reproduced in any form or by any means without prior written consent of NEC. NEC assumes no responsibility for any errors that may appear in this document.</li> <li>• NEC does not assume any liability for infringement of patents, copyrights or other intellectual property rights of third parties by or arising from the use of NEC semiconductor products listed in this document or any other liability arising from the use of such products. No license, express, implied or otherwise, is granted under any patents, copyrights or other intellectual property rights of NEC or others.</li> <li>• Descriptions of circuits, software and other related information in this document are provided for illustrative purposes in semiconductor product operation and application examples. The incorporation of these circuits, software and information in the design of customer's equipment shall be done under the full responsibility of customer. NEC assumes no responsibility for any losses incurred by customers or third parties arising from the use of these circuits, software and information.</li> <li>• While NEC endeavours to enhance the quality, reliability and safety of NEC semiconductor products, customers agree and acknowledge that the possibility of defects thereof cannot be eliminated entirely. To minimize risks of damage to property or injury (including death) to persons arising from defects in NEC semiconductor products, customers must incorporate sufficient safety measures in their design, such as redundancy, fire-containment, and anti-failure features.</li> <li>• NEC semiconductor products are classified into the following three quality grades:  "Standard", "Special" and "Specific". The "Specific" quality grade applies only to semiconductor products developed based on a customer-designated "quality assurance program" for a specific application. The recommended applications of a semiconductor product depend on its quality grade, as indicated below. Customers must check the quality grade of each semiconductor product before using it in a particular application.  "Standard": Computers, office equipment, communications equipment, test and measurement equipment, audio and visual equipment, home electronic appliances, machine tools, personal electronic equipment and industrial robots  "Special": Transportation equipment (automobiles, trains, ships, etc.), traffic control systems, anti-disaster systems, anti-crime systems, safety equipment and medical equipment (not specifically designed for life support)  "Specific": Aircraft, aerospace equipment, submersible repeaters, nuclear reactor control systems, life support systems and medical equipment for life support, etc.</li> </ul> <p>The quality grade of NEC semiconductor products is "Standard" unless otherwise expressly specified in NEC's data sheets or data books, etc. If customers wish to use NEC semiconductor products in applications not intended by NEC, they must contact an NEC sales representative in advance to determine NEC's willingness to support a given application.</p> <p>(Note)</p> <p>(1) "NEC" as used in this statement means NEC Corporation and also includes its majority-owned subsidiaries.  (2) "NEC semiconductor products" means any semiconductor product developed or manufactured by or for NEC (as defined above).</p>
---