

DATA SHEET

NEC

OCMOS FET™

PS7241C-AT1, PS7241C-AT5

CURRENT LIMIT TYPE 8-PIN SOP OCMOS FET (2-ch OCMOS FET)

DESCRIPTION

The PS7241C-AT1 and PS7241C-AT5 are solid state relays containing a GaAs LED on the light emitting side (input side), MOS FETs including current control circuit, Photo transistor on the output side. Current control circuit of OCMOS FET protects this device from thermal breakdown and output circuit.

They are suitable for analog signal control because of their low offset and high linearity.

FEATURES

- 2 channel type (OCMOS FET + Photocoupler)
- Limit current ($I_{LMT} = 125$ to 180 mA)
- Low LED operating current ($I_f = 2$ mA)
- Designed for AC/DC switching line changer
- ★ • Small and thin package (8-pin SOP, Height = 2.1 mm)
- Low offset voltage
- Ordering number of taping product: PS7241C-AT1-F3, F4, PS7241C-AT5-F3, F4
- UL approved: File No. E72422 (S)

APPLICATIONS

- Exchange equipment
- Measurement equipment
- FA/OA equipment

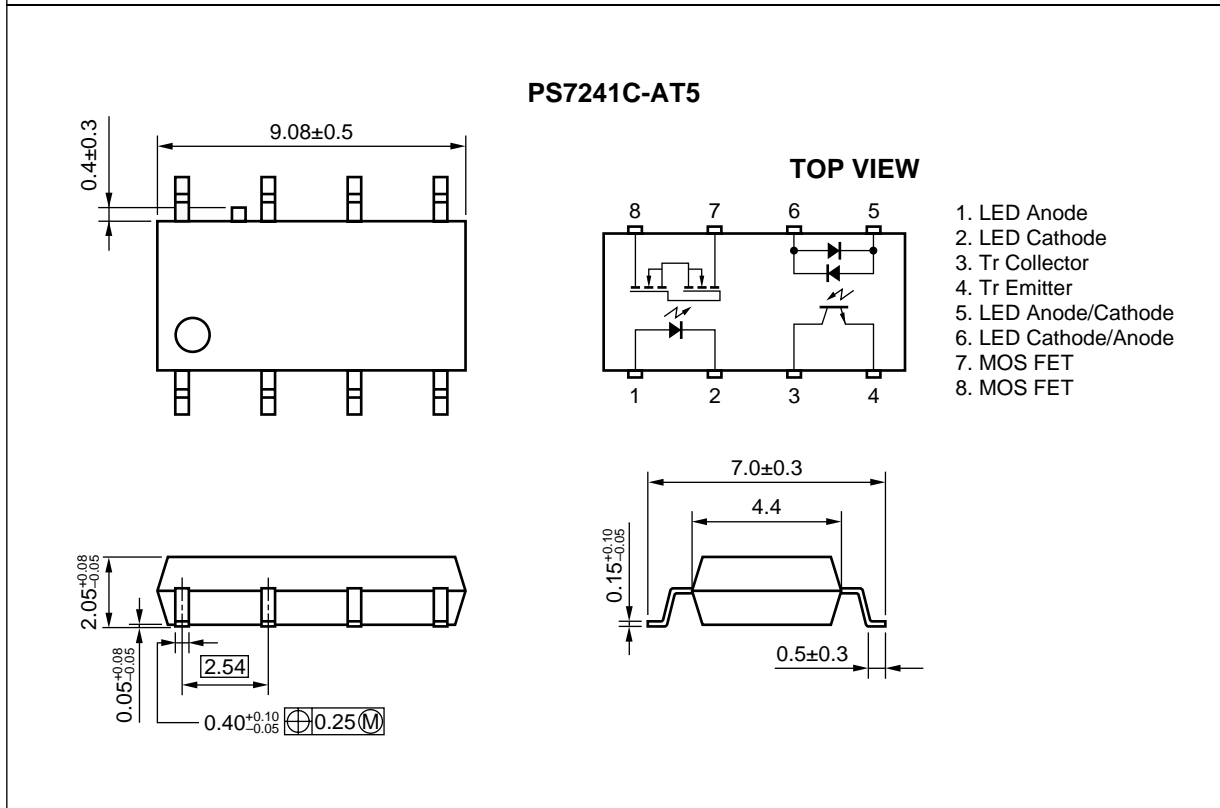
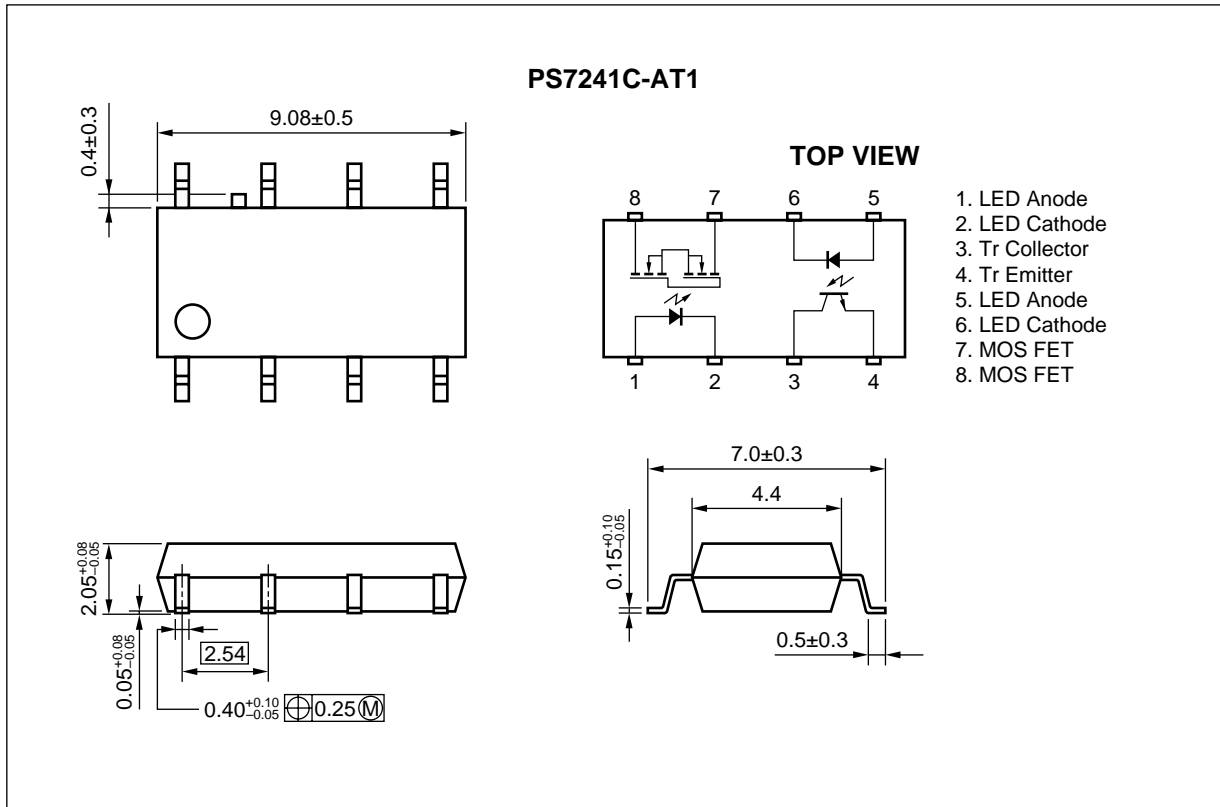
★ ORDERING INFORMATION

Part Number	Package	Packing Style	Application Part Number ^{*1}
PS7241C-AT1	8-pin SOP	Magazine case 45 pcs	PS7241C-AT1
PS7241C-AT1-F3		Embossed Tape 1 500 pcs/reel	
PS7241C-AT1-F4			
PS7241C-AT5		Magazine case 45 pcs	PS7241C-AT5
PS7241C-AT5-F3		Embossed Tape 1 500 pcs/reel	
PS7241C-AT5-F4			

*1 For the application of the Safety Standard, following part number should be used.

The information in this document is subject to change without notice. Before using this document, please confirm that this is the latest version.
Not all devices/types available in every country. Please check with local NEC representative for availability and additional information.

★ PACKAGE DIMENSIONS (in millimeters)



ABSOLUTE MAXIMUM RATINGS (T_A = 25 °C, unless otherwise specified)

Parameter		Symbol	Ratings	Unit	
★ OCMOS FET	Diode	Forward Current (DC)	I _F	50	mA
		Reverse Voltage	V _R	5.0	V
		Power Dissipation	P _D	50	mW
		Peak Forward Current ^{*1}	I _{FP}	1	A
	MOS FET	Break Down Voltage	V _L	400	V
		Continuous Load Current	I _L	120	mA
		Pulse Load Current ^{*2} (AC/DC Connection)	I _{LP}	120	mA
		Power Dissipation	P _D	430	mW
Photocoupler	Diode	Forward Current	I _F	50	mA
		Reverse Voltage ^{*3}	V _R	5.0	V
		Power Dissipation	P _D	50	mW
		Peak Forward Current ^{*1}	I _{FP}	1	A
	Transistor	Collector to Emitter Voltage	V _{CEO}	40	V
		Emitter to Collector Voltage	V _{ECO}	6	V
		Collector Current	I _C	80	mA
		Power Dissipation	P _C	100	mW
Isolation Voltage ^{*4}		BV	1 500	Vr.m.s.	
Total Power Dissipation		P _T	630	mW	
Operating Ambient Temperature		T _A	-40 to +80	°C	
Storage Temperature		T _{stg}	-40 to +100	°C	

*1 PW = 100 μs, Duty Cycle = 1 %

*2 PW = 100 ms, 1 shot

*3 PS7241C-AT1 only

*4 AC voltage for 1 minute at T_A = 25 °C, RH = 60 % between input and output

★ **RECOMMENDED OPERATING CONDITIONS (T_A = 25 °C)**

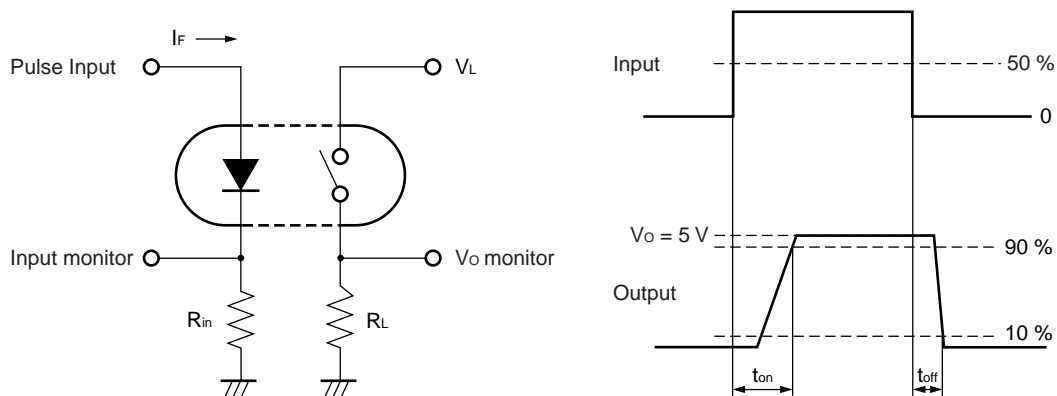
Parameter		Symbol	MIN.	TYP.	MAX.	Unit
★ OCMOS FET	LED Operating Current	I _F	2	10	20	mA
	LED Off Voltage	V _F	0		0.5	V

ELECTRICAL CHARACTERISTICS (T_A = 25 °C)

Parameter		Symbol	Conditions	MIN.	TYP.	MAX.	Unit	
OCMOS FET	Diode	Forward Voltage	V _F	I _F = 10 mA		1.2	1.4	V
		Reverse Current	I _R	V _R = 5 V			5.0	μA
	MOS FET	Off-state Leakage Current	I _{Loff}	V _D = 400 V		0.03	1.0	μA
		Output Capacitance	C _{out}	V _D = 0 V, f = 1 MHz		65		pF
	Coupled	LED On-state Current	I _{Fon}	I _L = 120 mA			2.0	mA
		On-state Resistance	R _{on1}	I _F = 10 mA, I _L = 10 mA		28	35	Ω
			R _{on2}	I _F = 10 mA, I _L = 120 mA		24	30	
		Turn-on Time ^{*1}	t _{on}	I _F = 10 mA, V _O = 5 V,		0.4	1.0	ms
		Turn-off Time ^{*1}	t _{off}	PW ≥ 10 ms		0.08	1.0	
		Limit Current	I _{LMT}	I _F = 10 mA, V _L = 6 V, t = 5 ms	125	150	180	mA
		Isolation Resistance	R _{I-O}	V _{I-O} = 1.0 kV _{DC}	10 ⁹			Ω
	Isolation Capacitance	C _{I-O}	V = 0 V, f = 1 MHz		0.4		pF	
Photo-coupler	Diode	Forward Voltage	V _F	I _F = 10 mA		1.2	1.4	V
		Reverse Current ^{*2}	I _R	V _R = 5 V			5.0	μA
	Transistor	Collector to Emitter Dark Current	I _{CEO}	V _{CE} = 40 V, I _F = 0 mA			100	nA
		Collector to Emitter Breakdown Voltage	BV _{CEO}	I _C = 1 mA	40			V
		Emitter to Collector Breakdown Voltage	BV _{ECO}	I _E = 100 μA	6.0			
	Coupler	Current Transfer Ratio (I _C /I _F)	CTR	I _F = 5 mA, V _{CE} = 5 V	50	200	400	%
		Collector Saturation Voltage	V _{CE(sat)}	I _F = 10 mA, I _C = 2 mA			0.3	V
		Isolation Resistance	R _{I-O}	V _{I-O} = 1.0 kV _{DC}	10 ¹¹			Ω
		Isolation Capacitance	C _{I-O}	V = 0 V, f = 1 MHz		0.4		pF
		Rise Time	t _r	V _{CC} = 5V, I _C = 2 mA,		3.0		μs
	Fall Time	t _f	R _L = 100 Ω		5.0			

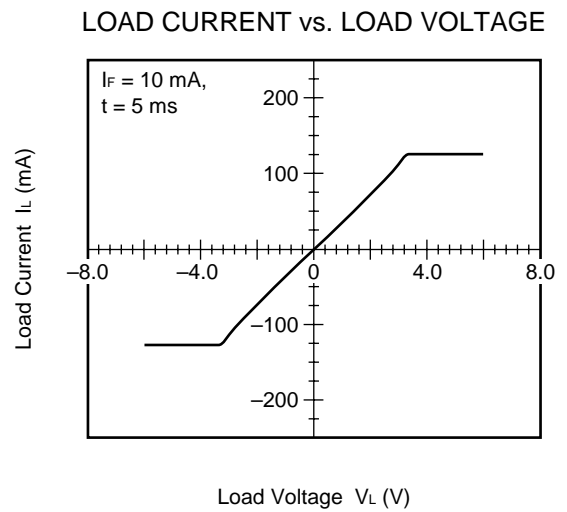
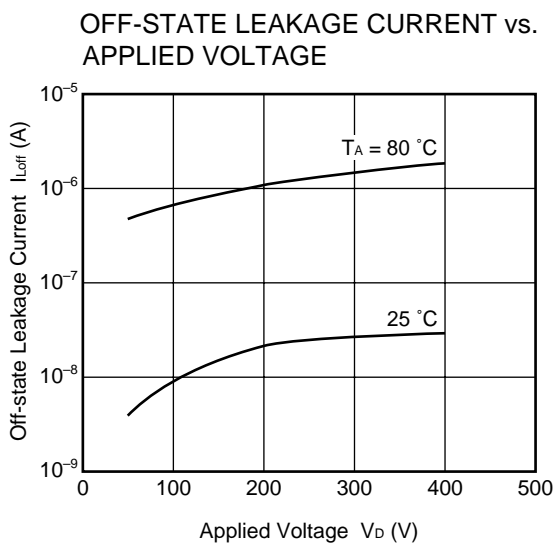
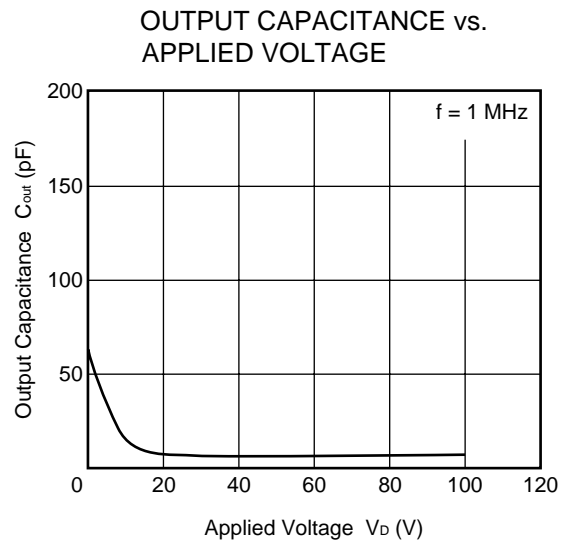
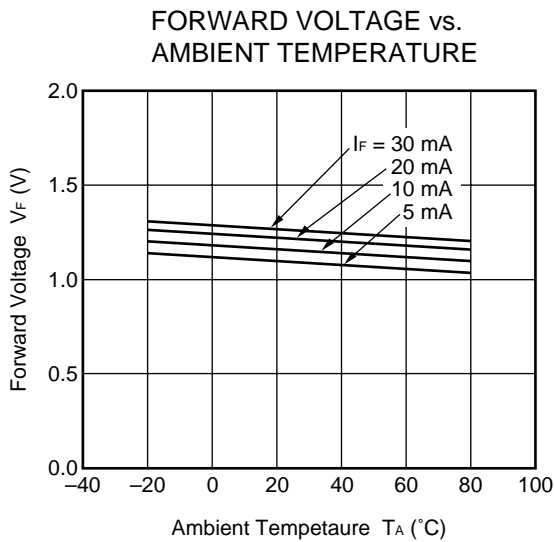
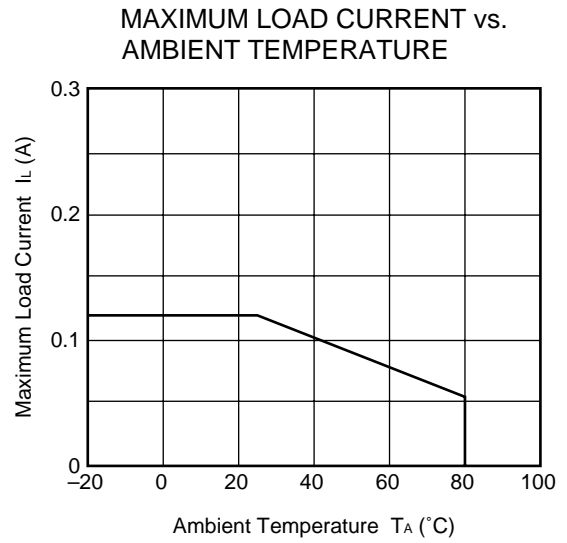
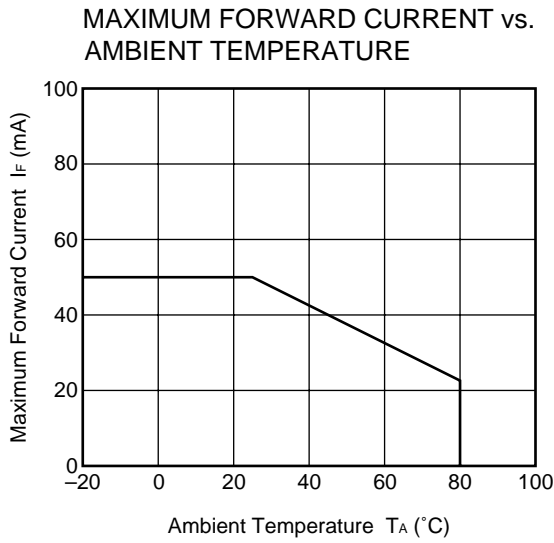
★
★

★ *1 Test Circuit for Switching Time

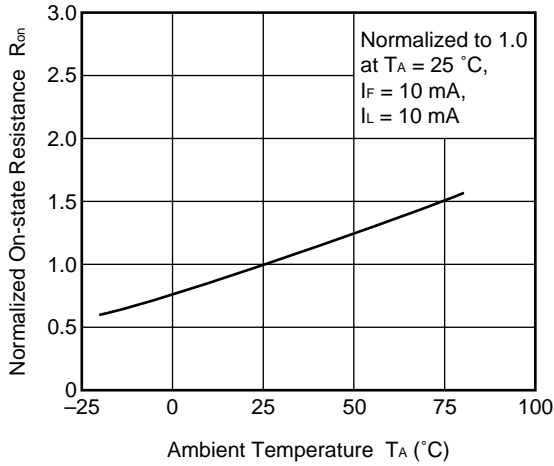


*2 PS7241C-AT1 only

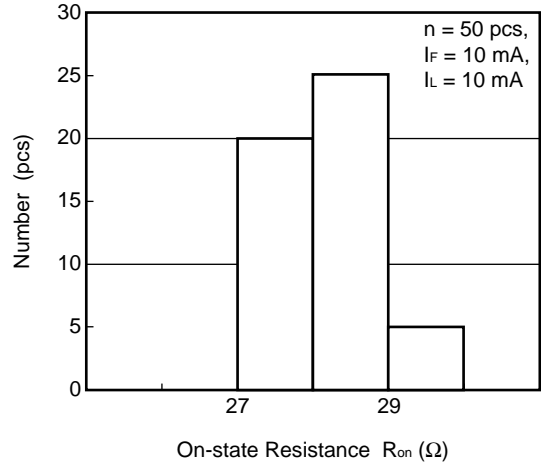
★ OCMOS TYPICAL CHARACTERISTICS ($T_A = 25\text{ }^\circ\text{C}$, unless otherwise specified)



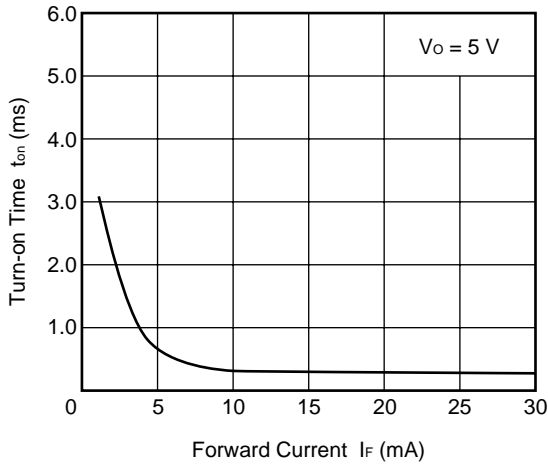
NORMALIZED ON-STATE RESISTANCE vs. AMBIENT TEMPERATURE



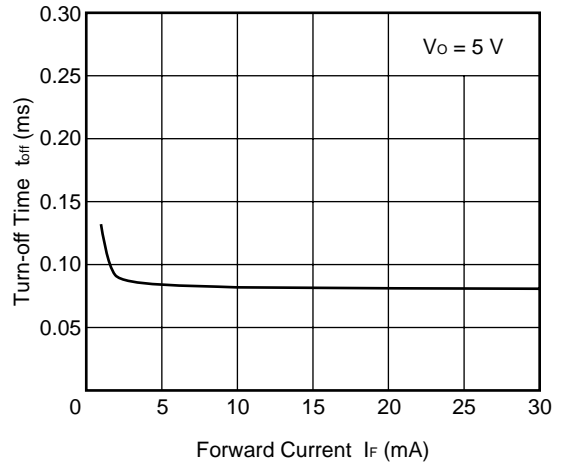
ON-STATE RESISTANCE DISTRIBUTION



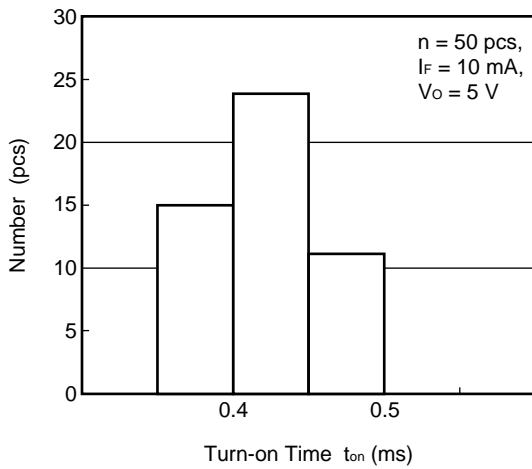
TURN-ON TIME vs. FORWARD CURRENT



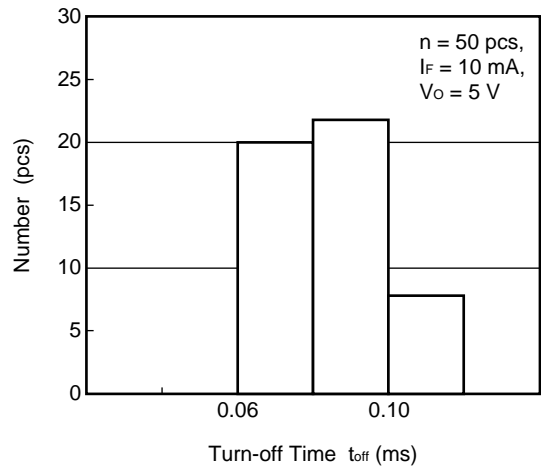
TURN-OFF TIME vs. FORWARD CURRENT



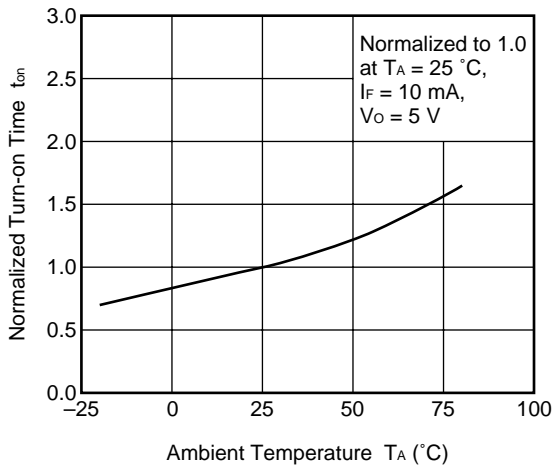
TURN-ON TIME DISTRIBUTION



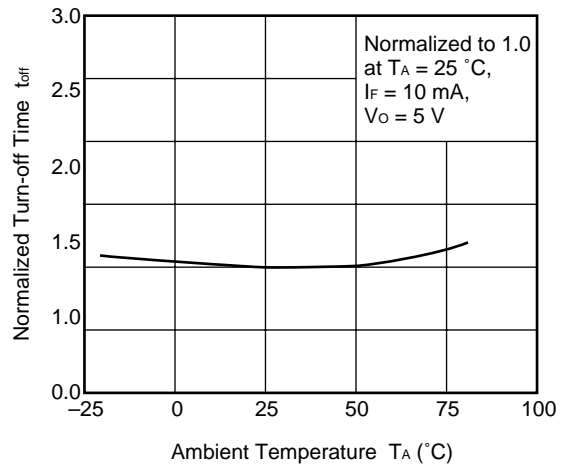
TURN-OFF TIME DISTRIBUTION



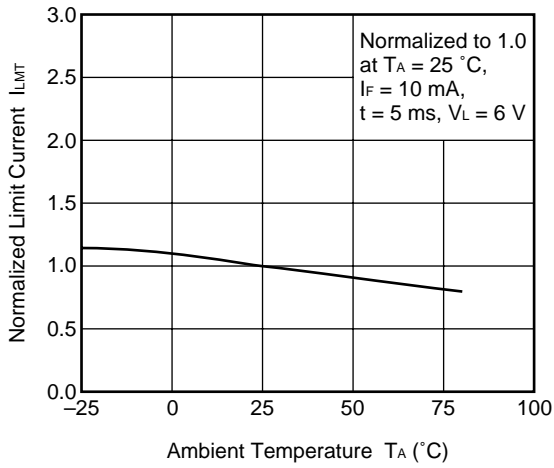
NORMALIZED TURN-ON TIME vs. AMBIENT TEMPERATURE



NORMALIZED TURN-OFF TIME vs. AMBIENT TEMPERATURE



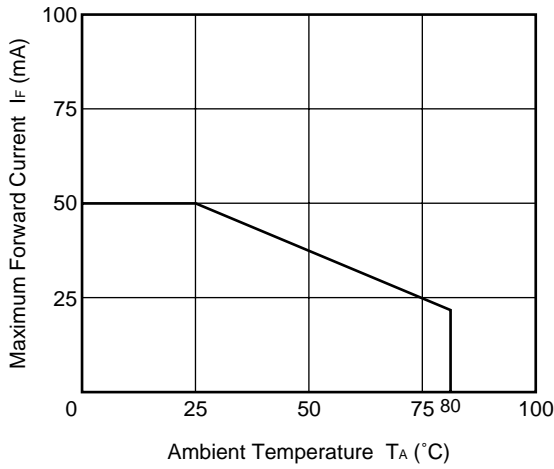
NORMALIZED LIMIT CURRENT vs. AMBIENT TEMPERATURE



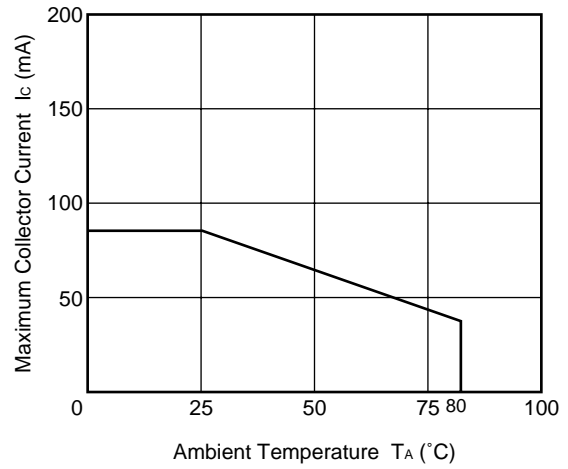
Remark The graphs indicate nominal characteristics.

★ PHOTOCOPLER TYPICAL CHARACTERISTICS ($T_A = 25\text{ }^\circ\text{C}$, unless otherwise specified)

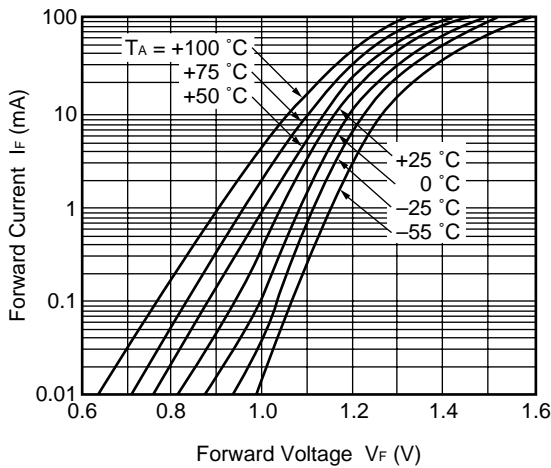
MAXIMUM FORWARD CURRENT vs. AMBIENT TEMPERATURE



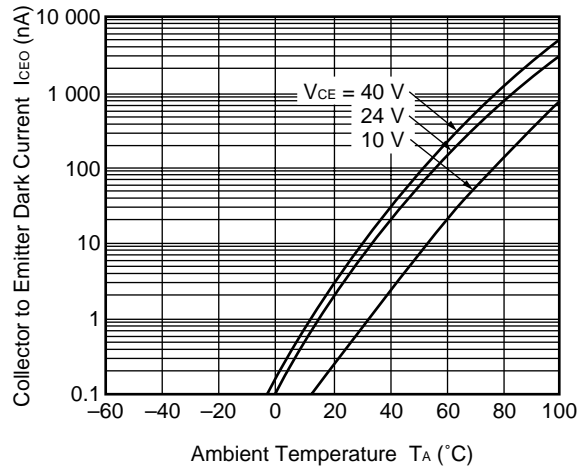
MUXIMUM COLLECTOR CURRENT vs. AMBIENT TEMPERATURE



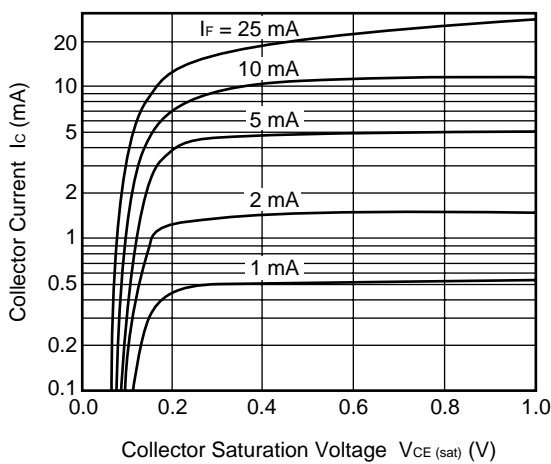
FORWARD CURRENT vs. FORWARD VOLTAGE



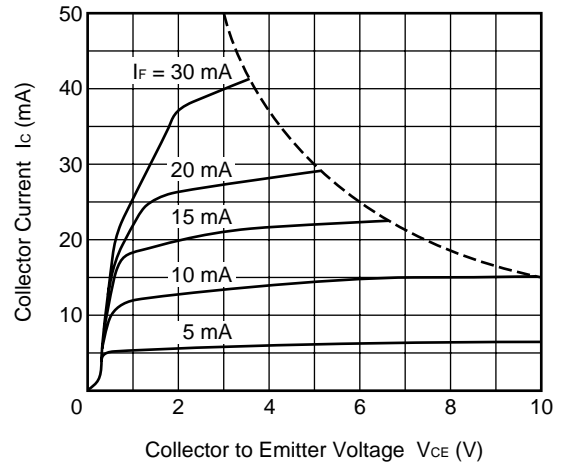
COLLECTOR TO EMITTER DARK CURRENT vs. AMBIENT TEMPERATURE



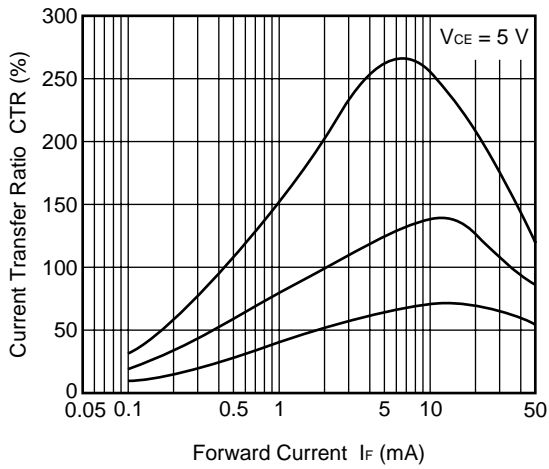
COLLECTOR CURRENT vs. COLLECTOR SATURATION VOLTAGE



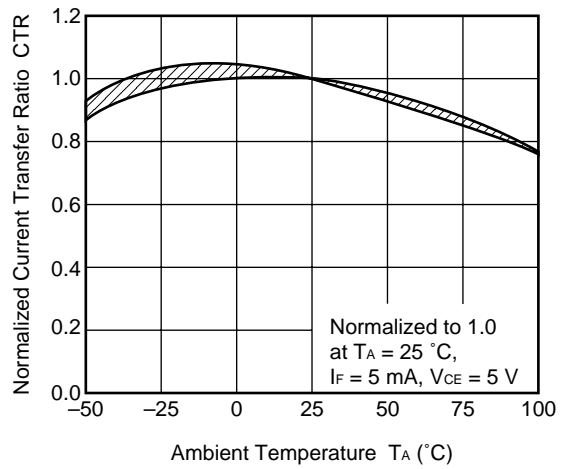
COLLECTOR CURRENT vs. COLLECTOR TO EMITTER VOLTAGE



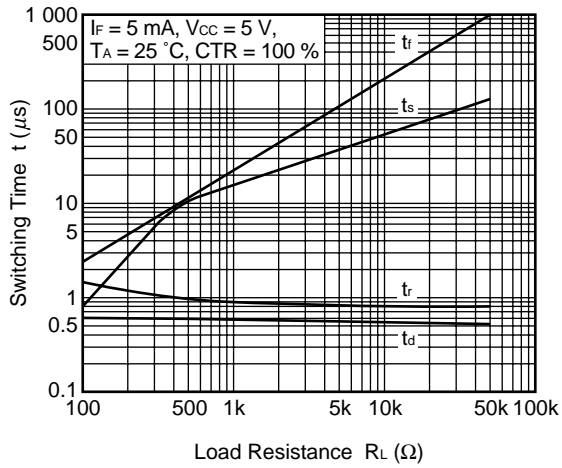
CURRENT TRANSFER RATIO vs. FORWARD CURRENT



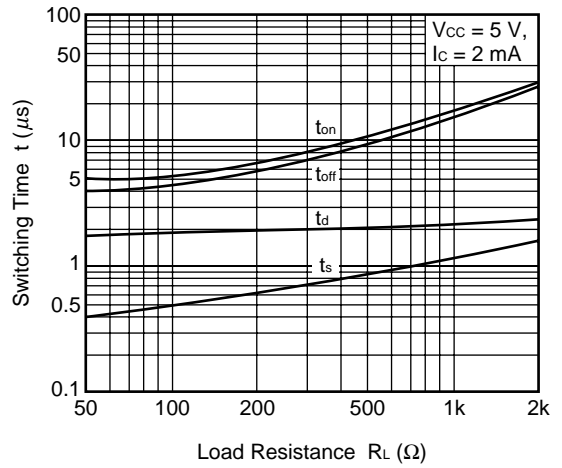
NORMALIZED CURRENT TRANSFER RATIO vs. AMBIENT TEMPERATURE



SWITCHING TIME vs. LOAD RESISTANCE



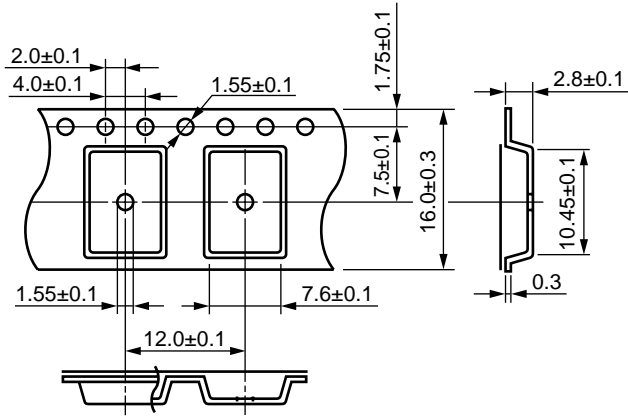
SWITCHING TIME vs. LOAD RESISTANCE



Remark The graphs indicate nominal characteristics.

★ TAPING SPECIFICATIONS (in millimeters)

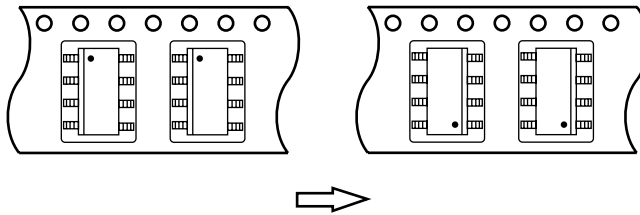
Outline and Dimensions (Tape)



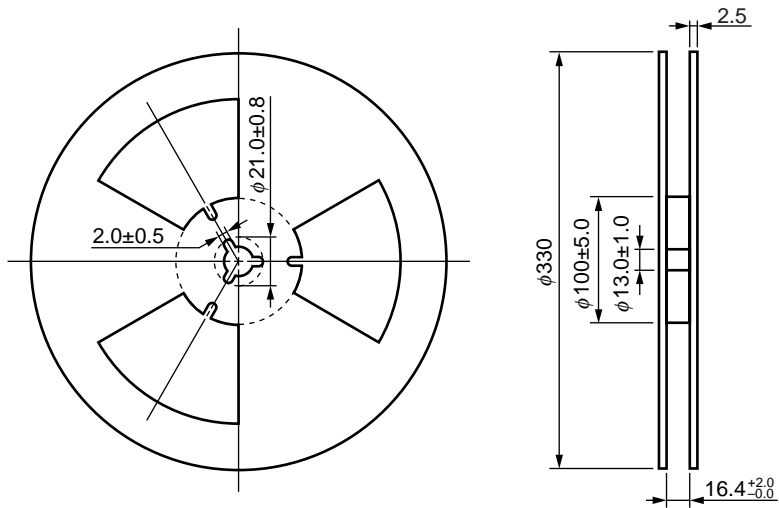
Tape Direction

PS7241C-AT1-F3
PS7241C-AT5-F3

PS7241C-AT1-F4
PS7241C-AT5-F4



Outline and Dimensions (Reel)



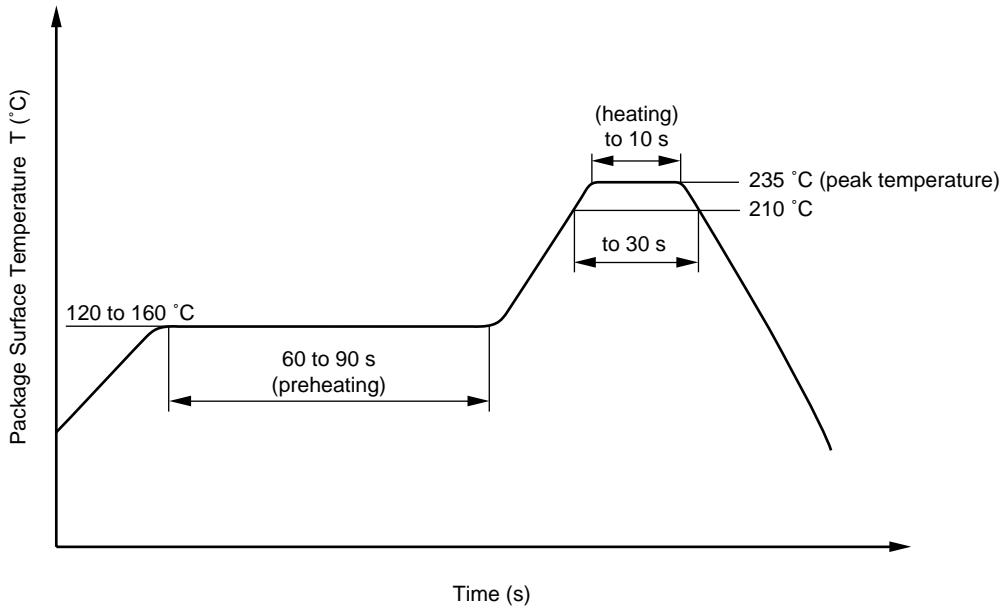
Packing: 1 500pcs/reel

★ **RECOMMENDED SOLDERING CONDITIONS**

(1) Infrared reflow soldering

- Peak reflow temperature 235 °C (package surface temperature)
- Time of temperature higher than 210 °C 30 seconds or less
- Number of reflows Two
- Flux Rosin flux containing small amount of chlorine (The flux with a maximum chlorine content of 0.2 Wt % is recommended.)

Recommended Temperature Profile of Infrared Reflow

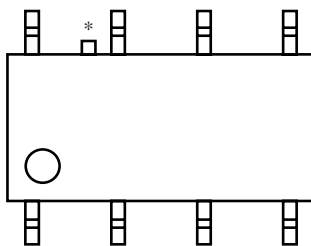


(2) Dip soldering

- Temperature 260 °C or below (molten solder temperature)
- Time 10 seconds or less
- Number of times One
- Flux Rosin flux containing small amount of chlorine (The flux with a maximum chlorine content of 0.2 Wt % is recommended.)

(3) Cautions

- Fluxes
Avoid removing the residual flux with freon-based and chlorine-based cleaning solvent.
- Avoid shorting between portion of frame and leads.



* : Portion of frame

CAUTION

Within this device there exists GaAs (Gallium Arsenide) material which is a harmful substance if ingested. Please do not under any circumstances break the hermetic seal.

OCMOS FET is a trademark of NEC Corporation.

- **The information in this document is subject to change without notice. Before using this document, please confirm that this is the latest version.**
 - No part of this document may be copied or reproduced in any form or by any means without the prior written consent of NEC Corporation. NEC Corporation assumes no responsibility for any errors which may appear in this document.
 - NEC Corporation does not assume any liability for infringement of patents, copyrights or other intellectual property rights of third parties by or arising from use of a device described herein or any other liability arising from use of such device. No license, either express, implied or otherwise, is granted under any patents, copyrights or other intellectual property rights of NEC Corporation or others.
 - Descriptions of circuits, software, and other related information in this document are provided for illustrative purposes in semiconductor product operation and application examples. The incorporation of these circuits, software, and information in the design of the customer's equipment shall be done under the full responsibility of the customer. NEC Corporation assumes no responsibility for any losses incurred by the customer or third parties arising from the use of these circuits, software, and information.
 - While NEC Corporation has been making continuous effort to enhance the reliability of its semiconductor devices, the possibility of defects cannot be eliminated entirely. To minimize risks of damage or injury to persons or property arising from a defect in an NEC semiconductor device, customers must incorporate sufficient safety measures in its design, such as redundancy, fire-containment, and anti-failure features.
 - NEC devices are classified into the following three quality grades:
"Standard", "Special", and "Specific". The Specific quality grade applies only to devices developed based on a customer designated "quality assurance program" for a specific application. The recommended applications of a device depend on its quality grade, as indicated below. Customers must check the quality grade of each device before using it in a particular application.
 - Standard: Computers, office equipment, communications equipment, test and measurement equipment, audio and visual equipment, home electronic appliances, machine tools, personal electronic equipment and industrial robots
 - Special: Transportation equipment (automobiles, trains, ships, etc.), traffic control systems, anti-disaster systems, anti-crime systems, safety equipment and medical equipment (not specifically designed for life support)
 - Specific: Aircraft, aerospace equipment, submersible repeaters, nuclear reactor control systems, life support systems or medical equipment for life support, etc.
- The quality grade of NEC devices is "Standard" unless otherwise specified in NEC's Data Sheets or Data Books. If customers intend to use NEC devices for applications other than those specified for Standard quality grade, they should contact an NEC sales representative in advance.