

**PS7141-1C, PS7141L-1C****8-PIN DIP, 400 V BREAK DOWN VOLTAGE, TRANSFER TYPE  
2-ch Optical Coupled MOS FET****DESCRIPTION**

The PS7141-1C and PS7141L-1C are transfer type solid state relays containing normally open (N.O.) contact and normally close (N.C.) contact on output side.

They are suitable for analog signal control because of their low offset and high linearity.

The PS7141L-1C has a surface mount type lead.

**★ FEATURES**

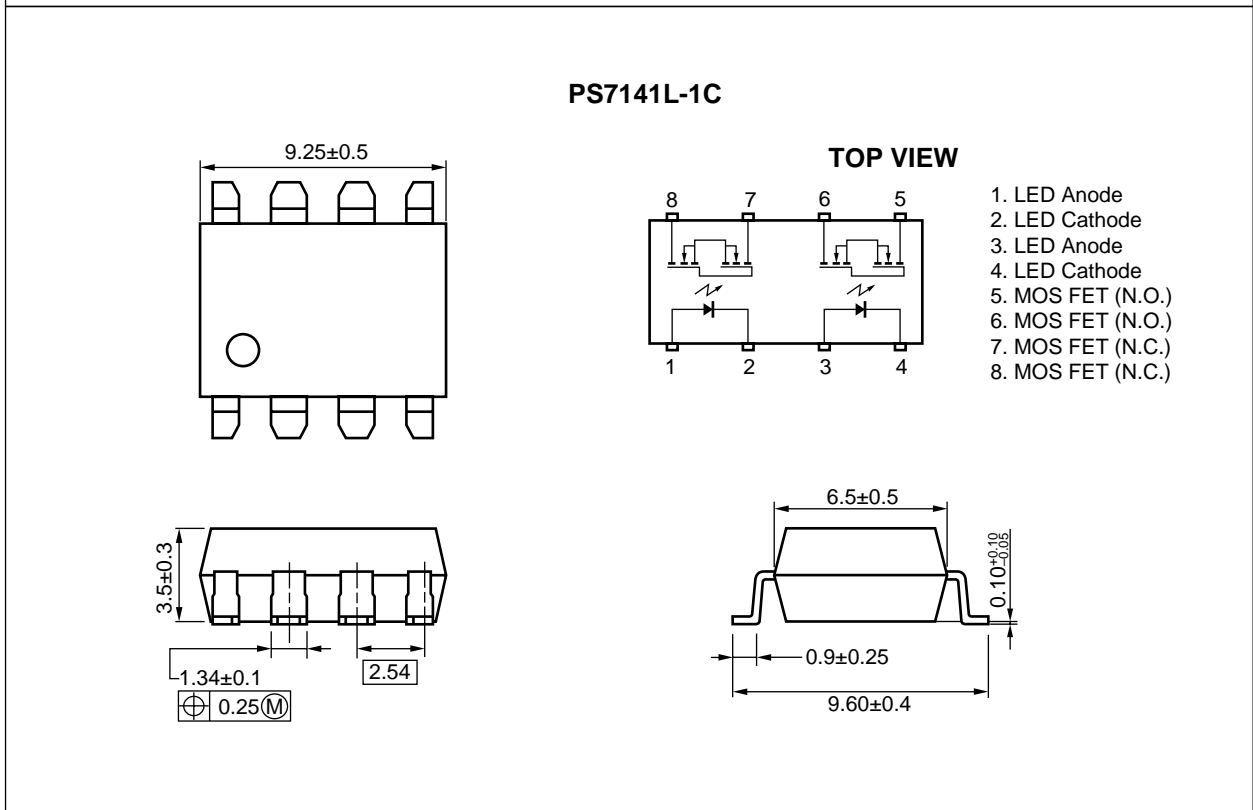
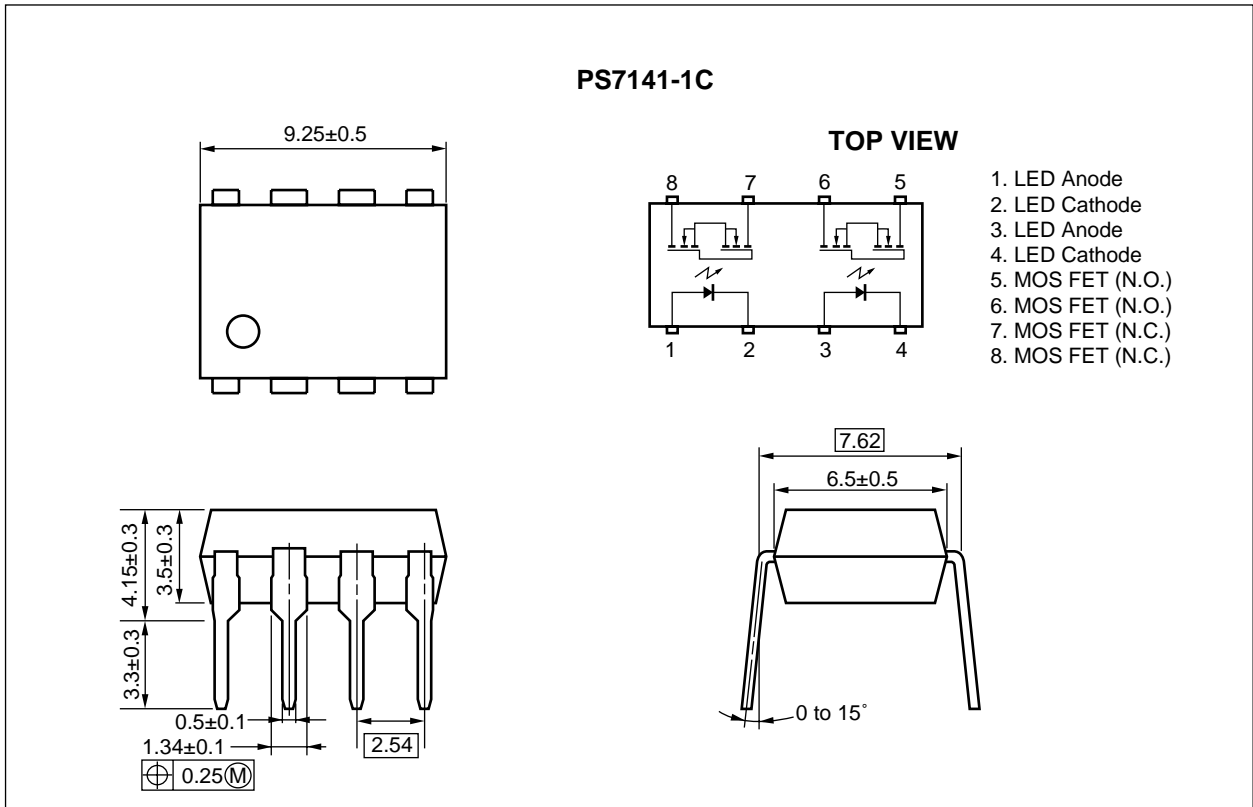
- 2 channel type (1 a + 1 b output)
- Low LED operating current ( $I_F = 2 \text{ mA}$ )
- Designed for AC/DC switching line changer
- Small package (8-pin DIP)
- Low offset voltage
- PS7141L-1C: Surface mount type
- UL approved: File No. E72422 (S)
- BSI approved: No. 8245/8246
- CSA approved: No. CA 101391

**APPLICATIONS**

- Exchange equipment
- Measurement equipment
- FA/OA equipment

The information in this document is subject to change without notice. Before using this document, please confirm that this is the latest version.  
Not all devices/types available in every country. Please check with local NEC representative for availability and additional information.

PACKAGE DIMENSIONS (in millimeters)



★ ORDERING INFORMATION

Part Number	Package	Packing Style	Application Part Number <sup>*1</sup>
PS7141-1C	8-pin DIP	Magazine case 50 pcs	PS7141-1C
PS7141L-1C			PS7141L-1C
PS7141L-1C-E3		Embossed Tape 1 000 pcs/reel	
PS7141L-1C-E4			

\*1 For the application of the Safety Standard, following part number should be used.

★ ABSOLUTE MAXIMUM RATINGS (T<sub>A</sub> = 25 °C, unless otherwise specified)

	Parameter	Symbol	Ratings	Unit
Diode	Forward Current (DC)	I <sub>F</sub>	50	mA
	Reverse Voltage	V <sub>R</sub>	5.0	V
	Power Dissipation	P <sub>D</sub>	50	mW/ch
	Peak Forward Current <sup>*1</sup>	I <sub>FP</sub>	1	A
MOS FET	Break Down Voltage	V <sub>L</sub>	400	V
	Continuous Load Current	I <sub>L</sub>	150	mA
	Pulse Load Current <sup>*2</sup> (AC/DC Connection)	I <sub>LP</sub>	300	mA
	Power Dissipation	P <sub>D</sub>	375	mW/ch
	Isolation Voltage <sup>*3</sup>	BV	1 500	Vr.m.s.
	Total Power Dissipation	P <sub>T</sub>	850	mW
	Operating Ambient Temperature	T <sub>A</sub>	-40 to +80	°C
	Storage Temperature	T <sub>stg</sub>	-40 to +100	°C

\*1 PW = 100 μs, Duty Cycle = 1 %

\*2 PW = 100 ms, 1 shot

\*3 AC voltage for 1 minute at T<sub>A</sub> = 25 °C, RH = 60 % between input and output

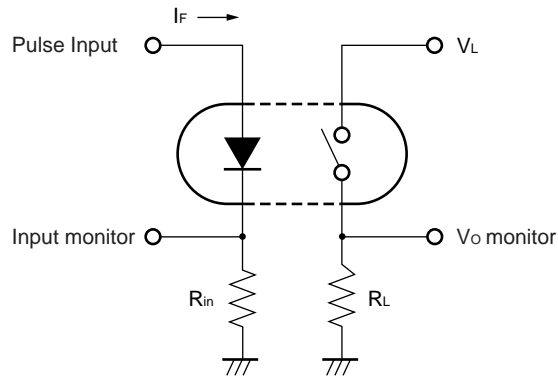
★ RECOMMENDED OPERATING CONDITIONS (T<sub>A</sub> = 25 °C)

Parameter	Symbol	MIN.	TYP.	MAX.	Unit
LED Operating Current	I <sub>F</sub>	2	10	20	mA
LED Off Voltage	V <sub>F</sub>	0		0.5	V

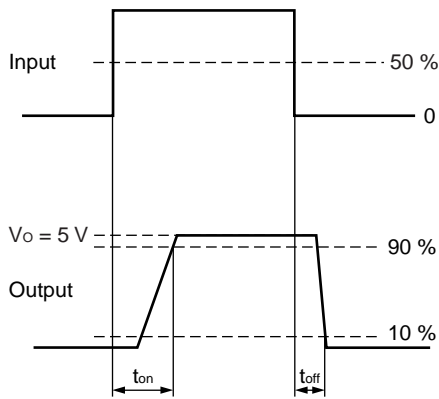
★ ELECTRICAL CHARACTERISTICS (T<sub>A</sub> = 25 °C)

Parameter		Symbol	Conditions	MIN.	TYP.	MAX.	Unit	
Diode	Forward Voltage	V <sub>F</sub>	I <sub>F</sub> = 10 mA		1.2	1.4	V	
	Reverse Current	I <sub>R</sub>	V <sub>R</sub> = 5 V			5.0	μA	
MOS FET	Off-state Leakage Current	I <sub>Loff</sub>	N.O.: I <sub>F</sub> = 0 mA, V <sub>D</sub> = 400 V		0.03	1.0	μA	
			N.C.: I <sub>F</sub> = 10 mA, V <sub>D</sub> = 400 V					
	Output Capacitance	C <sub>out</sub>	N.O.: V <sub>D</sub> = 0 V, f = 1 MHz		65		pF/ch	
			N.C.: V <sub>D</sub> = 0 V, f = 1 MHz, I <sub>F</sub> = 10 mA		185			
Coupled	LED On-state Current	I <sub>Fon</sub>	N.O.: I <sub>L</sub> = 150 mA			2.0	mA	
	LED Off-state Current	I <sub>Foff</sub>	N.C.: I <sub>L</sub> = 150 mA			2.0	mA	
	On-state Resistance	R <sub>on1</sub>	N.O.: I <sub>F</sub> = 10 mA, I <sub>L</sub> = 10 mA		20	30	Ω	
			N.C.: I <sub>F</sub> = 0 mA, I <sub>L</sub> = 10 mA		24	30		
		R <sub>on2</sub>	N.O.: I <sub>F</sub> = 10 mA, I <sub>L</sub> = 150 mA, t ≤ 10 ms		16	25		
			N.C.: I <sub>F</sub> = 0 mA, I <sub>L</sub> = 150 mA, t ≤ 10 ms		16	25		
	Turn-on Time <sup>*1</sup>	t <sub>on</sub> (N.O.)	I <sub>F</sub> = 10 mA, V <sub>O</sub> = 5 V, PW ≥ 10 ms		0.33	1.0	ms	
		t <sub>on</sub> (N.C.)			0.02	0.2		
	Turn-off Time <sup>*1</sup>	t <sub>off</sub> (N.O.)			0.03	0.2		
		t <sub>off</sub> (N.C.)			0.20	1.0		
Isolation Resistance	R <sub>I-O</sub>	V <sub>I-O</sub> = 1.0 kV <sub>DC</sub>		10 <sup>9</sup>				Ω
Isolation Capacitance	C <sub>I-O</sub>	V = 0 V, f = 1 MHz			1.1			pF/ch

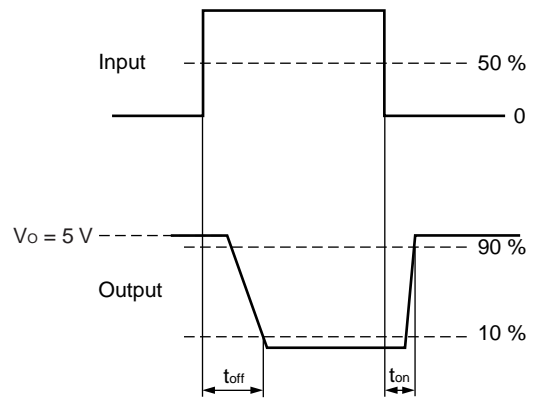
\*1 Test Circuit for Switching Time



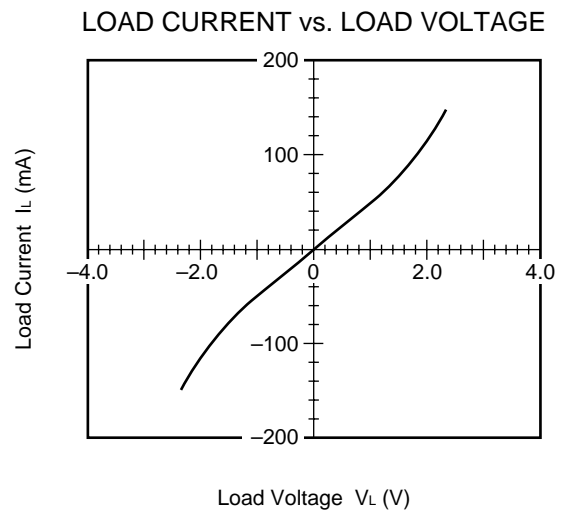
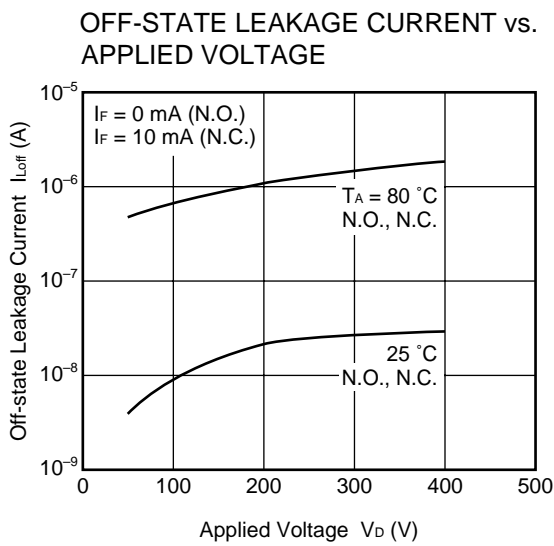
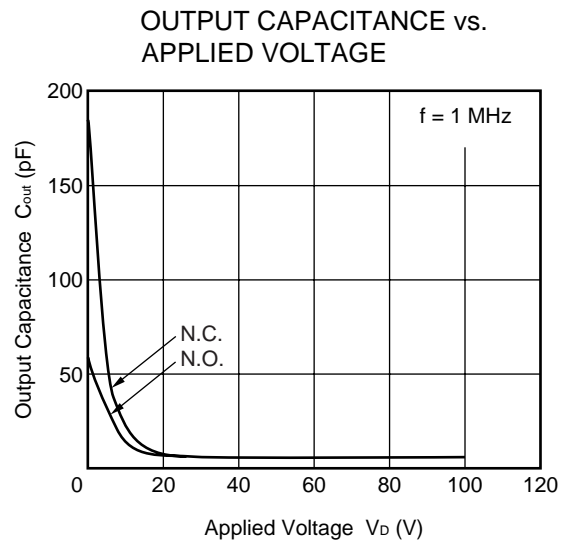
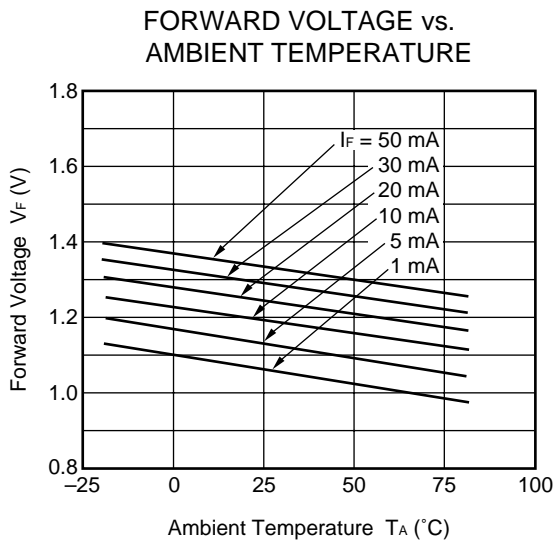
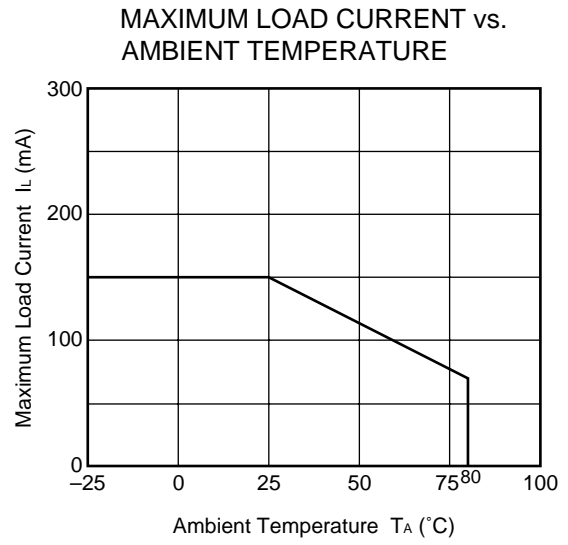
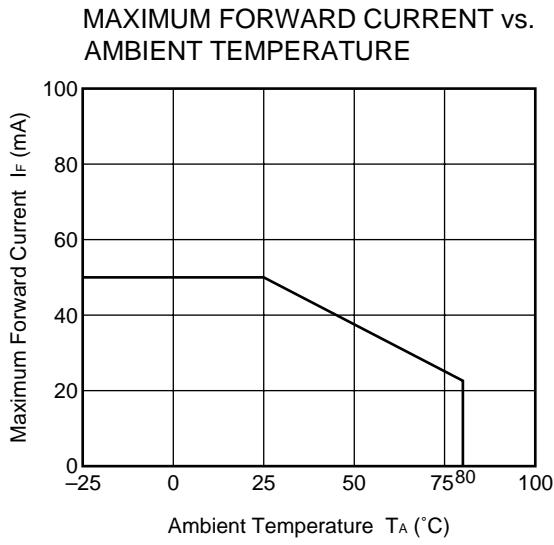
N.O. (between pin 5 and 6)



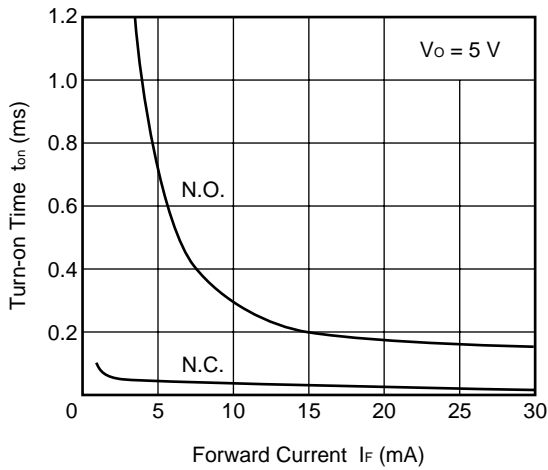
N.C. (between pin 7 and 8)



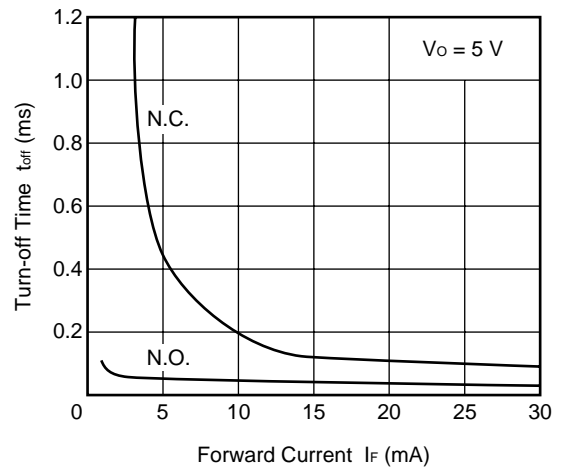
★ TYPICAL CHARACTERISTICS (T<sub>A</sub> = 25 °C, unless otherwise specified)



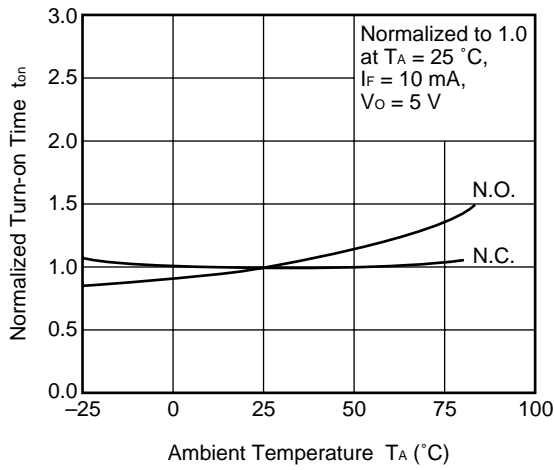
TURN-ON TIME vs. FORWARD CURRENT



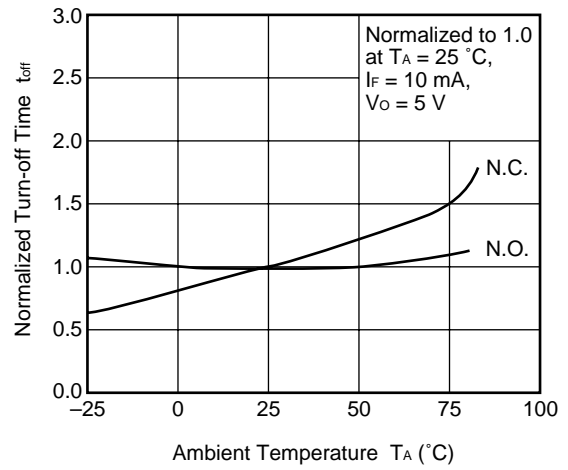
TURN-OFF TIME vs. FORWARD CURRENT



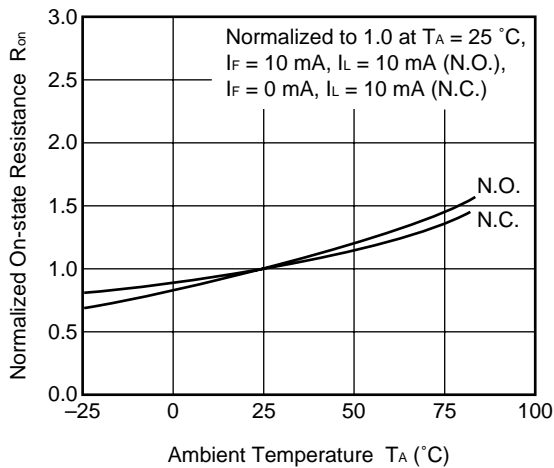
NORMALIZED TURN-ON TIME vs. AMBIENT TEMPERATURE



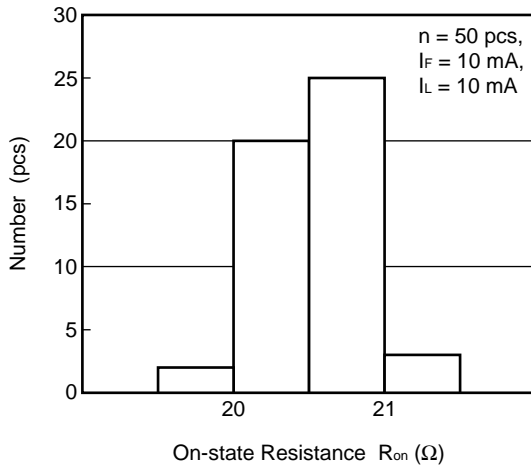
NORMALIZED TURN-OFF TIME vs. AMBIENT TEMPERATURE



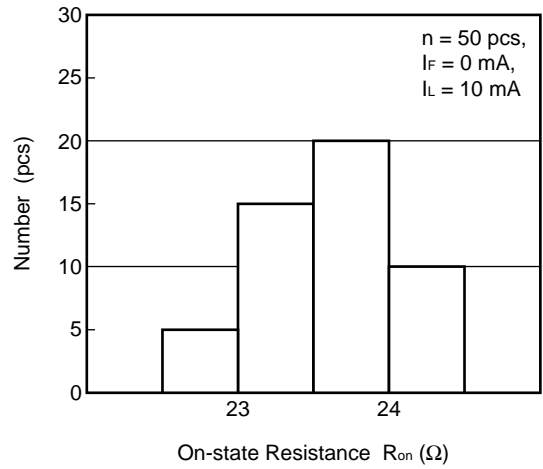
NORMALIZED ON-STATE RESISTANCE vs. AMBIENT TEMPERATURE



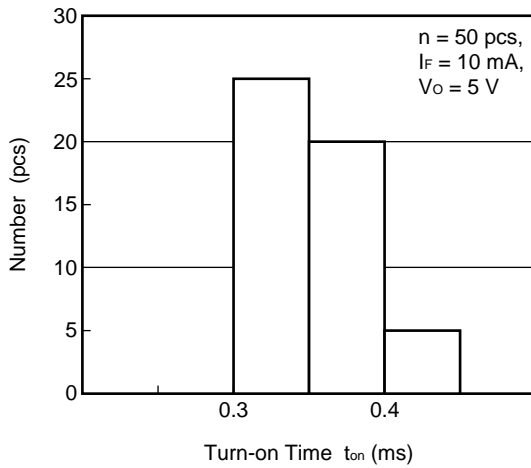
ON-STATE RESISTANCE (N.O.) DISTRIBUTION



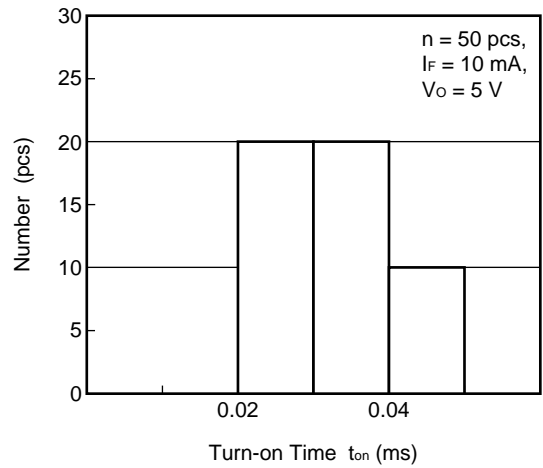
ON-STATE RESISTANCE (N.C.) DISTRIBUTION



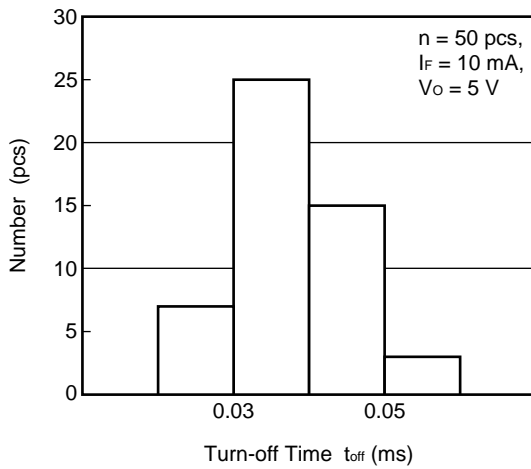
TURN-ON TIME (N.O.) DISTRIBUTION



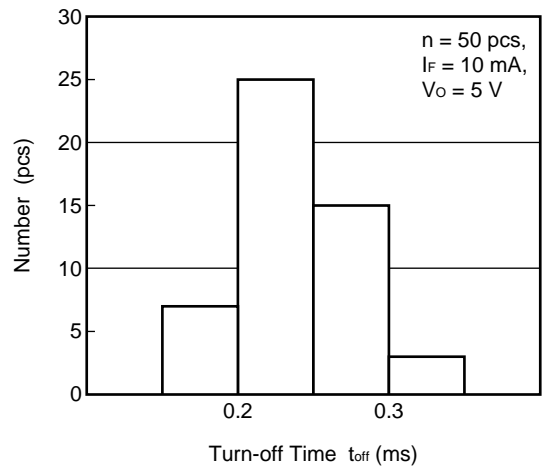
TURN-ON TIME (N.C.) DISTRIBUTION



TURN-OFF TIME (N.O.) DISTRIBUTION



TURN-OFF TIME (N.C.) DISTRIBUTION

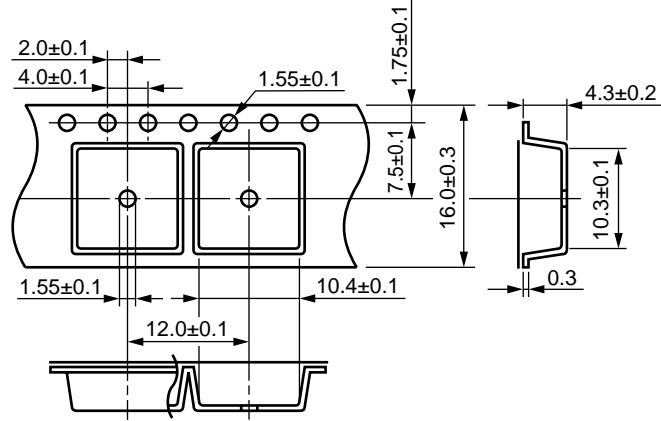


**Remark** The graphs indicate nominal characteristics.

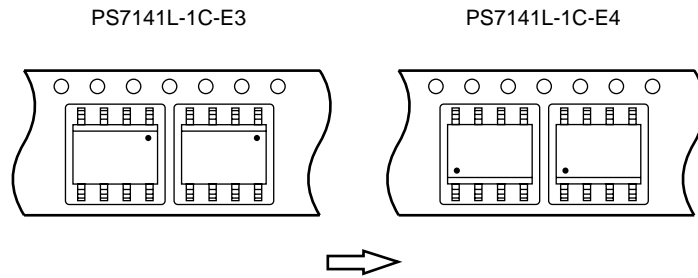


★ TAPING SPECIFICATIONS (in millimeters)

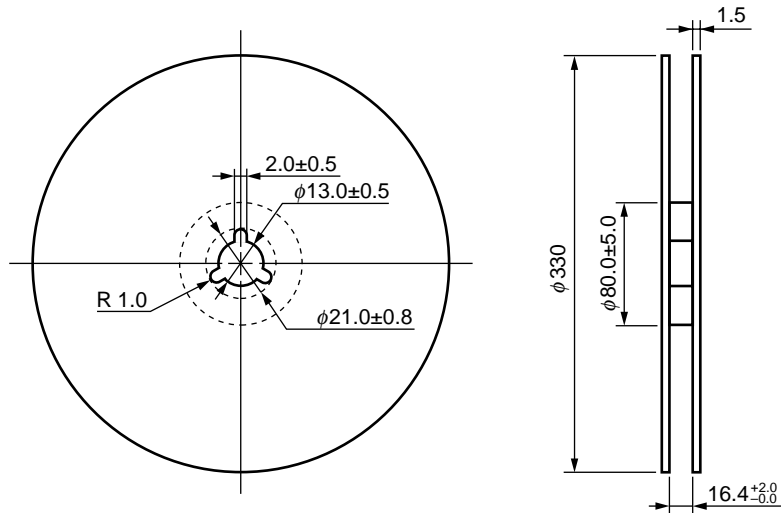
Outline and Dimensions (Tape)



Tape Direction



Outline and Dimensions (Reel)



Packing: 1 000 pcs/reel

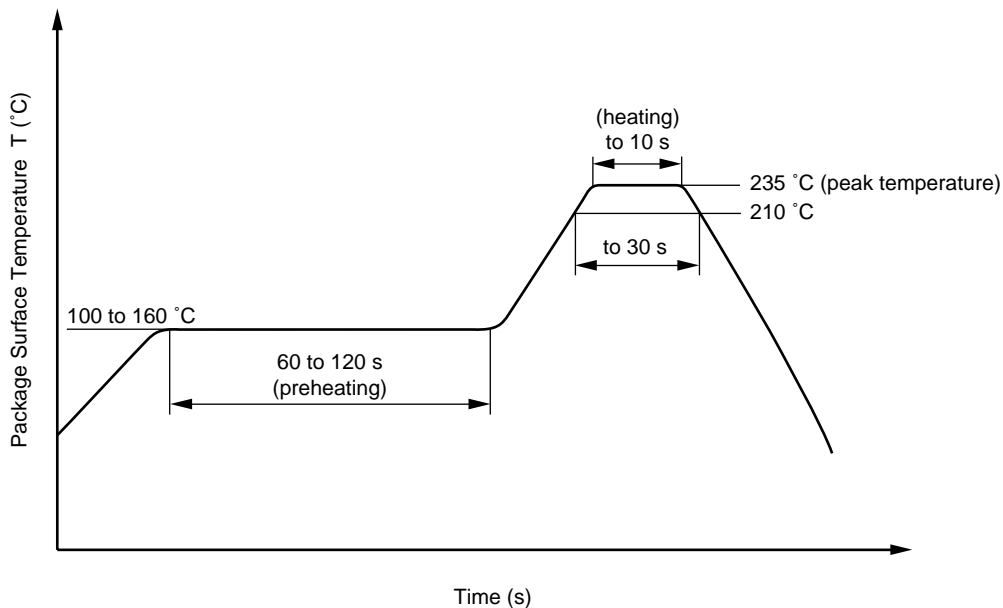
**RECOMMENDED SOLDERING CONDITIONS**

**(1) Infrared reflow soldering**

- Peak reflow temperature 235 °C (package surface temperature)
- Time of temperature higher than 210 °C 30 seconds or less
- Number of reflows Two
- Flux Rosin flux containing small amount of chlorine (The flux with a maximum chlorine content of 0.2 Wt % is recommended.)

★

Recommended Temperature Profile of Infrared Reflow



**(2) Dip soldering**

- Temperature 260 °C or below (molten solder temperature)
- Time 10 seconds or less
- Number of times One
- Flux Rosin flux containing small amount of chlorine (The flux with a maximum chlorine content of 0.2 Wt % is recommended.)

**(3) Cautions**

- Fluxes  
Avoid removing the residual flux with freon-based and chlorine-based cleaning solvent.

[MEMO]

**CAUTION**

**Within this device there exists GaAs (Gallium Arsenide) material which is a harmful substance if ingested. Please do not under any circumstances break the hermetic seal.**

- **The information in this document is subject to change without notice. Before using this document, please confirm that this is the latest version.**
  - No part of this document may be copied or reproduced in any form or by any means without the prior written consent of NEC Corporation. NEC Corporation assumes no responsibility for any errors which may appear in this document.
  - NEC Corporation does not assume any liability for infringement of patents, copyrights or other intellectual property rights of third parties by or arising from use of a device described herein or any other liability arising from use of such device. No license, either express, implied or otherwise, is granted under any patents, copyrights or other intellectual property rights of NEC Corporation or others.
  - Descriptions of circuits, software, and other related information in this document are provided for illustrative purposes in semiconductor product operation and application examples. The incorporation of these circuits, software, and information in the design of the customer's equipment shall be done under the full responsibility of the customer. NEC Corporation assumes no responsibility for any losses incurred by the customer or third parties arising from the use of these circuits, software, and information.
  - While NEC Corporation has been making continuous effort to enhance the reliability of its semiconductor devices, the possibility of defects cannot be eliminated entirely. To minimize risks of damage or injury to persons or property arising from a defect in an NEC semiconductor device, customers must incorporate sufficient safety measures in its design, such as redundancy, fire-containment, and anti-failure features.
  - NEC devices are classified into the following three quality grades:  
"Standard", "Special", and "Specific". The Specific quality grade applies only to devices developed based on a customer designated "quality assurance program" for a specific application. The recommended applications of a device depend on its quality grade, as indicated below. Customers must check the quality grade of each device before using it in a particular application.
    - Standard: Computers, office equipment, communications equipment, test and measurement equipment, audio and visual equipment, home electronic appliances, machine tools, personal electronic equipment and industrial robots
    - Special: Transportation equipment (automobiles, trains, ships, etc.), traffic control systems, anti-disaster systems, anti-crime systems, safety equipment and medical equipment (not specifically designed for life support)
    - Specific: Aircraft, aerospace equipment, submersible repeaters, nuclear reactor control systems, life support systems or medical equipment for life support, etc.
- The quality grade of NEC devices is "Standard" unless otherwise specified in NEC's Data Sheets or Data Books. If customers intend to use NEC devices for applications other than those specified for Standard quality grade, they should contact an NEC sales representative in advance.