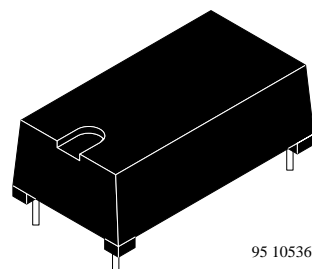


## Optocoupler with Phototransistor Output

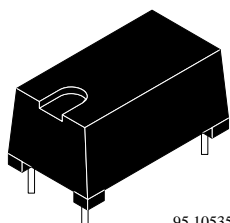
### Description

The CNY64/ 65/ 66 consist of a phototransistor optically coupled to a gallium arsenide infrared-emitting diode in a 4-lead plastic package.

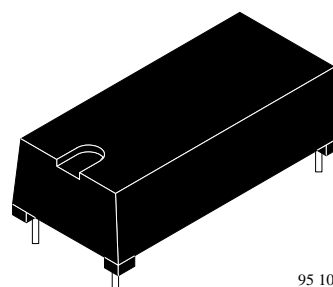
The single components are mounted in opposite oneanother, providing a distance between input and output for highest safety requirements of > 3 mm.



95 10536



95 10535



95 10537

### Application

Circuits for safe protective separation against electrical shock according to safety class II (reinforced isolation):

- For application class I - IV at mains voltage  $\leq 300$  V
- For application class I - IV at mains voltage  $\leq 600$  V
- For application class I - III at mains voltage  $\leq 1000$  V according to VDE 0884, table 2, suitable for:

**Switch-mode power supplies, computer peripheral interface, microprocessor system interface, line receiver.**



These couplers perform safety functions according to the following equipment standards:

- |   |   |
|---|---|
| <ul style="list-style-type: none"> <li>• <b>VDE 0884/08.87</b><br/>Optocoupler providing protective separation</li> <li>• <b>VDE 0804</b><br/>Telecommunication apparatus and data processing</li> <li>• <b>VDE 0805/IEC 950/EN 60950</b><br/>Office machines (applied for reinforced isolation for mains voltage <math>\leq 400</math> V<sub>RMS</sub>)</li> </ul> | <ul style="list-style-type: none"> <li>• <b>VDE 0860/IEC 65</b><br/>Safety for mains-operated electronic and related household apparatus</li> <li>• <b>VDE 0700/IEC 335</b><br/>Household equipment</li> <li>• <b>VDE 0160</b><br/>Electronic equipment for electrical power installation</li> <li>• <b>VDE 0750/IEC 601</b><br/>Medical equipment</li> </ul> |
|---|---|

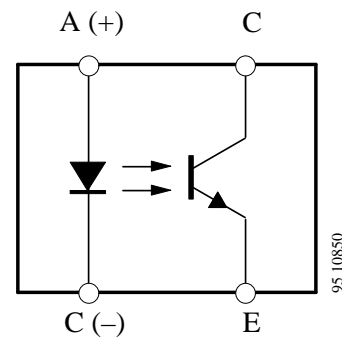
## Features

According to VDE 0884

- Rated impulse voltage (transient overvoltage)  
 $V_{I0TM} = 8 \text{ kV peak}$
- Isolation test voltage (partial discharge test voltage)  
 $V_{pd} = 2.8 \text{ kV peak}$
- Rated insulation voltage (RMS includes DC)  
 $V_{IOWM} = 1000 V_{RMS} (1450 \text{ V peak})$
- Rated recurring peak voltage (repetitive)  
 $V_{IORM} = 1000 V_{RMS}$
- Creepage current resistance according to VDE 0303/IEC 112  
Comparative Tracking Index: (CTI) = 200
- Isolation materials according to UL 94
- Thickness through insulation > 3 mm
- Pollution degree 2 (DIN/VDE 0110)
- Climatic classification  
55/085/21 (IEC 68 part 1)

- Further approvals:  
BS 415, BS 7002, SETI: IEC 950,  
UL 1577: File no: E 76222
- Special construction:  
Therefore extra low coupling capacity of typical  
0.3 pF, high **Common Mode Rejection**
- Low temperature coefficient of CTR
- **Current Transfer Ratio (CTR) = 50 to 300%**
- CNY64, CNY65 also available in CTR groups A and B

## Pin Connection



## Absolute Maximum Ratings

### Input (Emitter)

Parameters	Test Conditions	Symbol	Value	Unit
Reverse voltage		$V_R$	5	V
Forward current		$I_F$	75	mA
Forward surge current	$t_p \leq 10 \mu s$	$I_{FSM}$	1.5	A
Power dissipation	$T_{amb} \leq 25^\circ C$	$P_{tot}$	120	mW
Junction temperature		$T_j$	100	$^\circ C$

### Output (Detector)

Parameters	Test Conditions	Symbol	Value	Unit
Collector emitter voltage		$V_{CEO}$	32	V
Emitter collector voltage		$V_{ECO}$	7	V
Collector current		$I_C$	50	mA
Collector peak current	$t_p/T = 0.5, t_p \leq 10 \text{ ms}$	$I_{CM}$	100	mA
Power dissipation	$T_{amb} \leq 25^\circ C$	$P_{tot}$	130	mW
Junction temperature		$T_j$	100	$^\circ C$

## Coupler

Parameters	Test Conditions	Symbol	Value	Unit
AC isolation test voltage (RMS)		$V_{IO}$	8.2	kV
Total power dissipation	$T_{amb} \leq 25^{\circ}\text{C}$	$P_{tot}$	250	mW
Ambient temperature range		$T_{amb}$	-55 to +85	$^{\circ}\text{C}$
Storage temperature range		$T_{stg}$	-55 to +100	$^{\circ}\text{C}$
Soldering temperature	2 mm from case, $t \leq 10$ s	$T_{sd}$	260	$^{\circ}\text{C}$

## Maximum Safety Ratings <sup>1)</sup> (according to VDE 0884)

### Input (Emitter)

Parameters	Test Conditions	Symbol	Value	Unit
Forward current		$I_{si}$	120	mA

### Output (Detector)

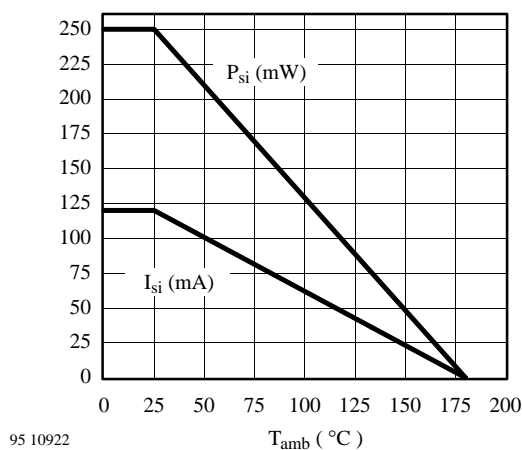
Parameters	Test Conditions	Symbol	Value	Unit
Power dissipation	$T_{amb} \leq 25^{\circ}\text{C}$	$P_{si}$	250	mW

## Coupler

Parameters	Test Conditions	Symbol	Value	Unit
Rated impulse voltage		$V_{IOTM}$	8	kV
Safety temperature		$T_{si}$	180	$^{\circ}\text{C}$

- <sup>1)</sup> This device is used for protective separation against electrical shock only within the maximum safety ratings. This must be ensured by using protective circuits in the applications.

## Derating Diagram



## Electrical Characteristics

$T_{amb} = 25^{\circ}\text{C}$

### Input (Emitter)

Parameters	Test Conditions	Type	Symbol	Min.	Typ.	Max.	Unit
Forward voltage	$I_F = 50 \text{ mA}$		$V_F$		1.25	1.6	V
Breakdown voltage	$I_R = 100 \mu\text{A}$		$V_{(BR)}$	5			V
Junction capacitance	$V_R = 0, f = 1 \text{ MHz}$		$C_j$		50		pF

### Output (Detector)

Parameters	Test Conditions	Type	Symbol	Min.	Typ.	Max.	Unit
Collector emitter breakdown voltage	$I_C = 1 \text{ mA}$		$V_{(BR)CEO}$	32			V
Emitter collector breakdown voltage	$I_E = 100 \mu\text{A}$		$V_{(BR)ECO}$	7			V
Collector emitter cut-off current	$V_{CE} = 20 \text{ V}, I_f = 0$		$I_{CEO}$			200	nA

### Coupler

Parameters	Test Conditions	Type	Symbol	Min.	Typ.	Max.	Unit
AC isolation test voltage (RMS)	$f = 50 \text{ Hz}, t = 1 \text{ s}$		$V_{IO}$	8.2			kV
Collector/emitter saturation voltage	$I_F = 10 \text{ mA}, I_C = 1 \text{ mA}$		$V_{CEsat}$			0.3	V
Cut-off frequency	$V_{CE} = 5 \text{ V}, I_F = 10 \text{ mA}, R_L = 100 \Omega$		$f_c$		110		kHz
Coupling capacitance	$f = 1 \text{ MHz}$		$C_k$		0.3		pF
$I_C/I_F$	$V_{CE} = 5 \text{ V}, I_F = 10 \text{ mA}$	CNY64 CNY65 CNY66	CTR	0.5	1	3	
		CNY64A CNY65A		0.63		1.25	
		CNY64B CNY65B		1		2	

**Switching Characteristics (Typical Values)**

$V_S = 5\text{ V}$

Type	$R_L = 100\ \Omega$ (see figure 1)							$R_L = 1\ \text{k}\Omega$ (see figure 2)		
	$t_d[\mu\text{s}]$	$t_r[\mu\text{s}]$	$t_{on}[\mu\text{s}]$	$t_s[\mu\text{s}]$	$t_f[\mu\text{s}]$	$t_{off}[\mu\text{s}]$	$I_C[\text{mA}]$	$t_{on}[\mu\text{s}]$	$t_{off}[\mu\text{s}]$	$I_F[\text{mA}]$
CNY64, 65, 66	2.6	2.4	5.0	0.3	2.7	3.0	5	25	42.5	10

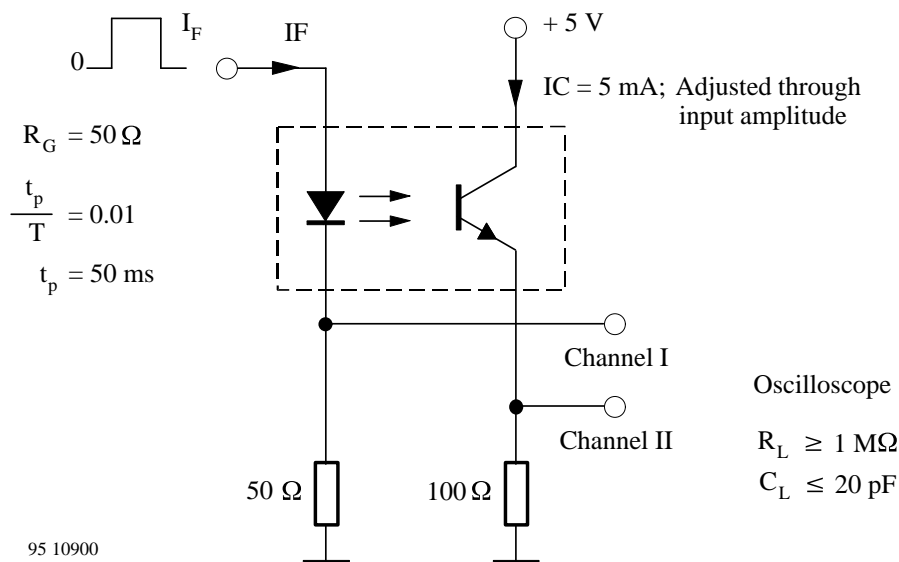


Figure 1. Test circuit, non-saturated operation

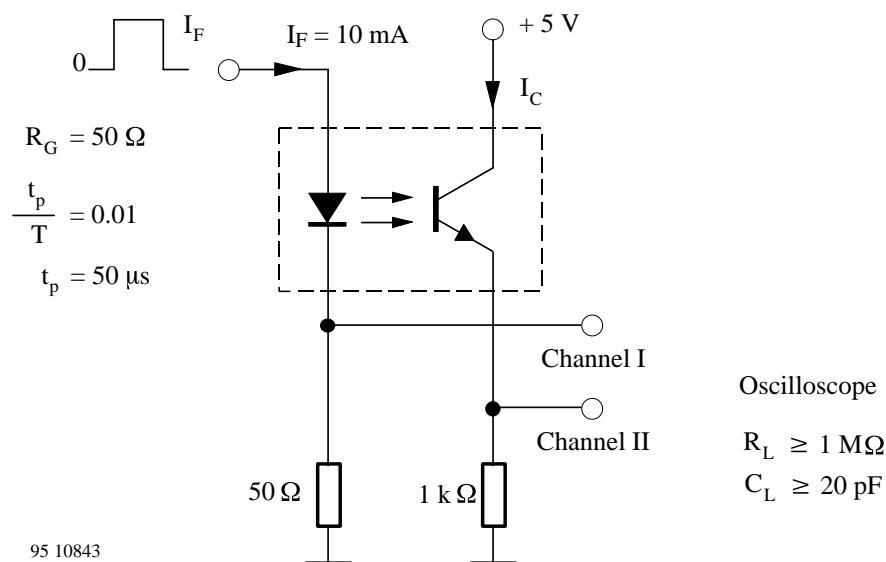


Figure 2. Test circuit, saturated operation

## Insulation Rated Parameters (according to VDE 0884)

Parameters		Test Conditions	Symbol	Min.	Typ.	Max.	Unit
Partial discharge test voltage	Routine test	10% $t_{test} = 1s$	$V_{pd}$	2.8			kV
	Lot test (sample test)	$t_{Tr} = 10 s$ , $t_{test} = 60 s$ (see figure 3)	$V_{IOTM}$	8			kV
			$V_{pd}$	2.2			kV
Insulation resistance		$V_{IO} = 500 V$	$R_{IO}$	$10^{12}$			$\Omega$
		$V_{IO} = 500 V$ , $T_{amb} = 100^{\circ}C$	$R_{IO}$	$10^{11}$			$\Omega$
		$V_{IO} = 500 V$ , $T_{amb} = 180^{\circ}C$ (construction test only)	$R_{IO}$	$10^9$			$\Omega$

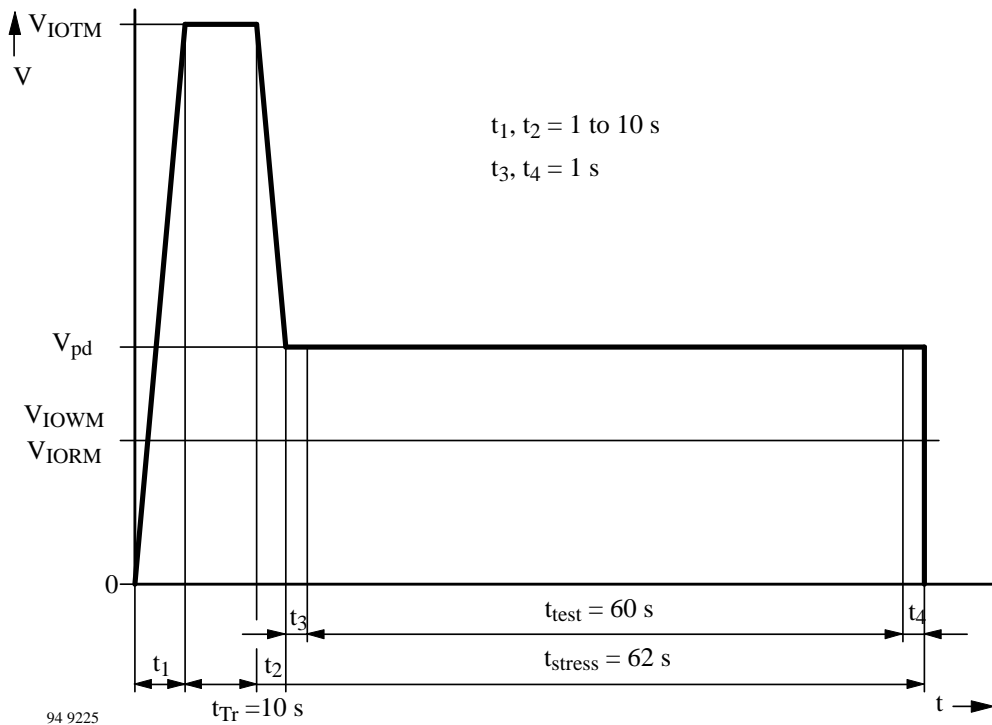


Figure 3. Test pulse diagram for sample test according to DIN VDE 0884

**Typical Characteristics** ( $T_{amb} = 25^{\circ}\text{C}$ , unless otherwise specified)

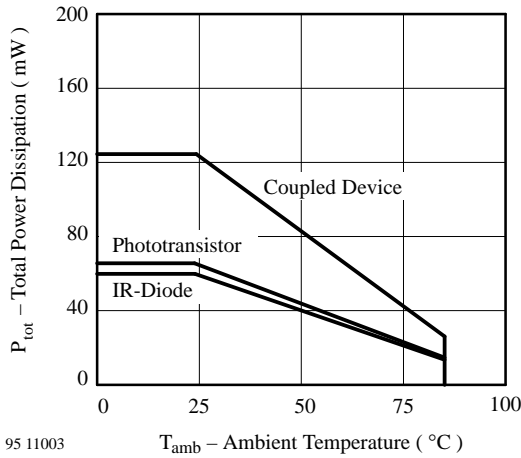


Figure 4. Total Power Dissipation vs. Ambient Temperature

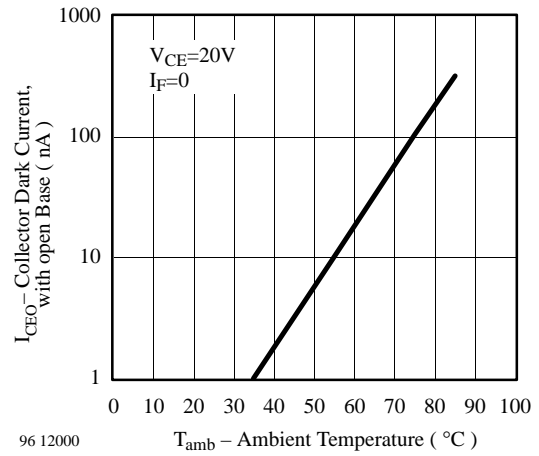


Figure 7. Collector Dark Current vs. Ambient Temperature

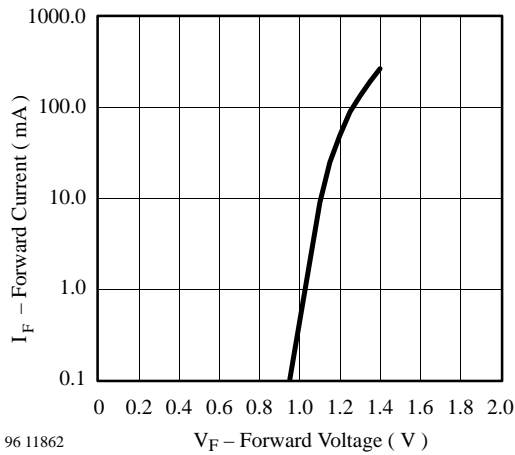


Figure 5. Forward Current vs. Forward Voltage

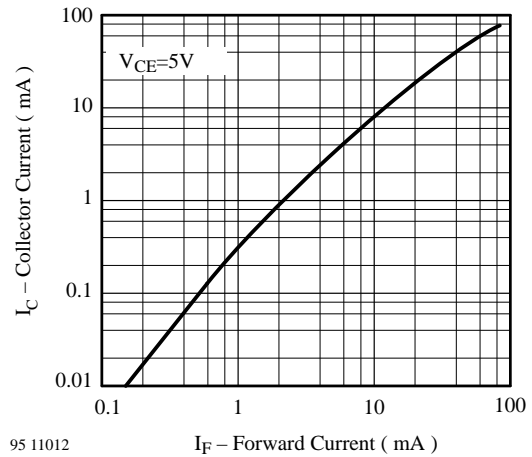


Figure 8. Collector Current vs. Forward Current

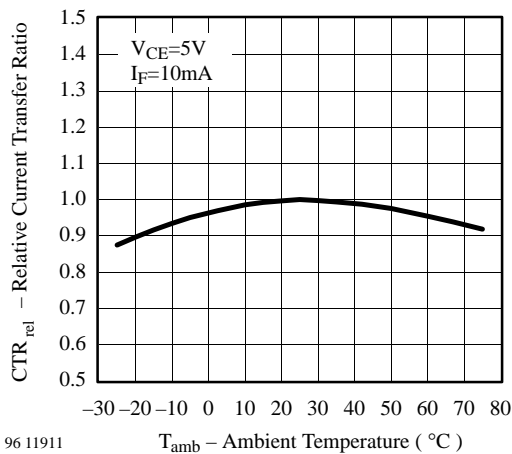


Figure 6. Rel. Current Transfer Ratio vs. Ambient Temperature

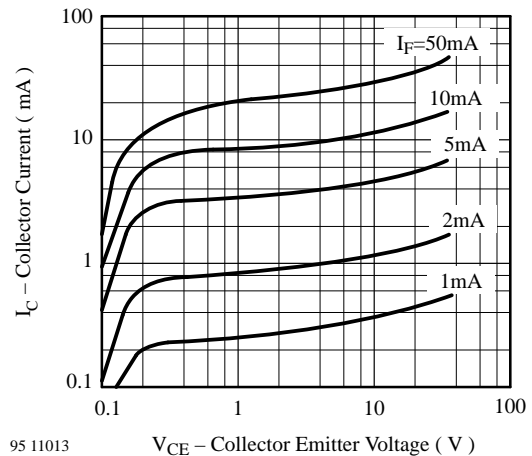


Figure 9. Collector Current vs. Collector Emitter Voltage

## Typical Characteristics ( $T_{amb} = 25^{\circ}\text{C}$ , unless otherwise specified)

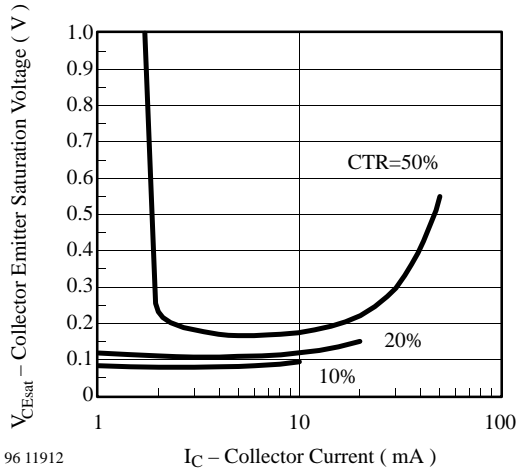


Figure 10. Collector Emitter Sat. Voltage vs. Collector Current

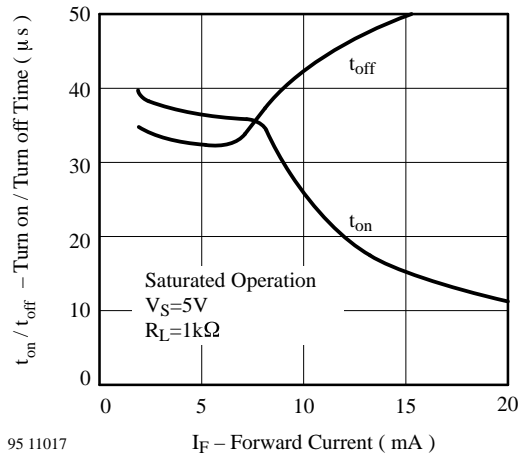


Figure 12. Turn on / off Time vs. Forward Current

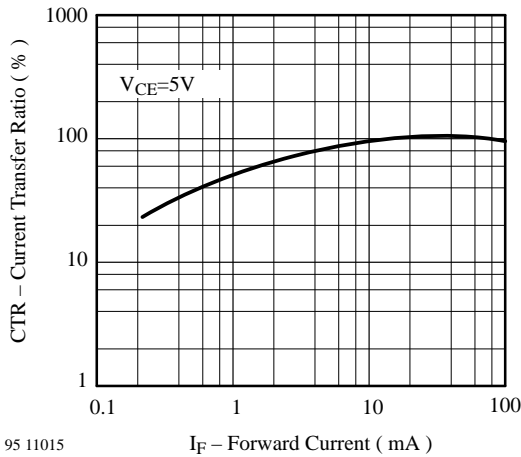


Figure 11. Current Transfer Ratio vs. Forward Current

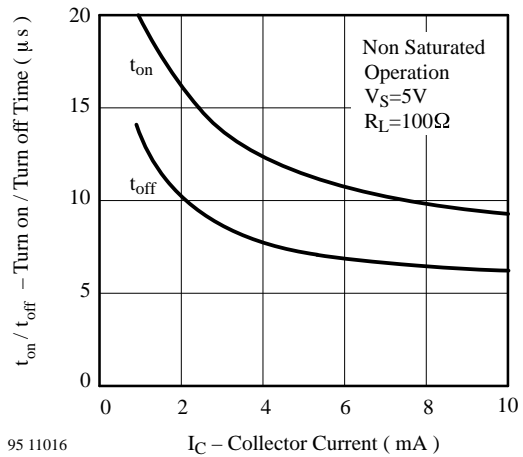
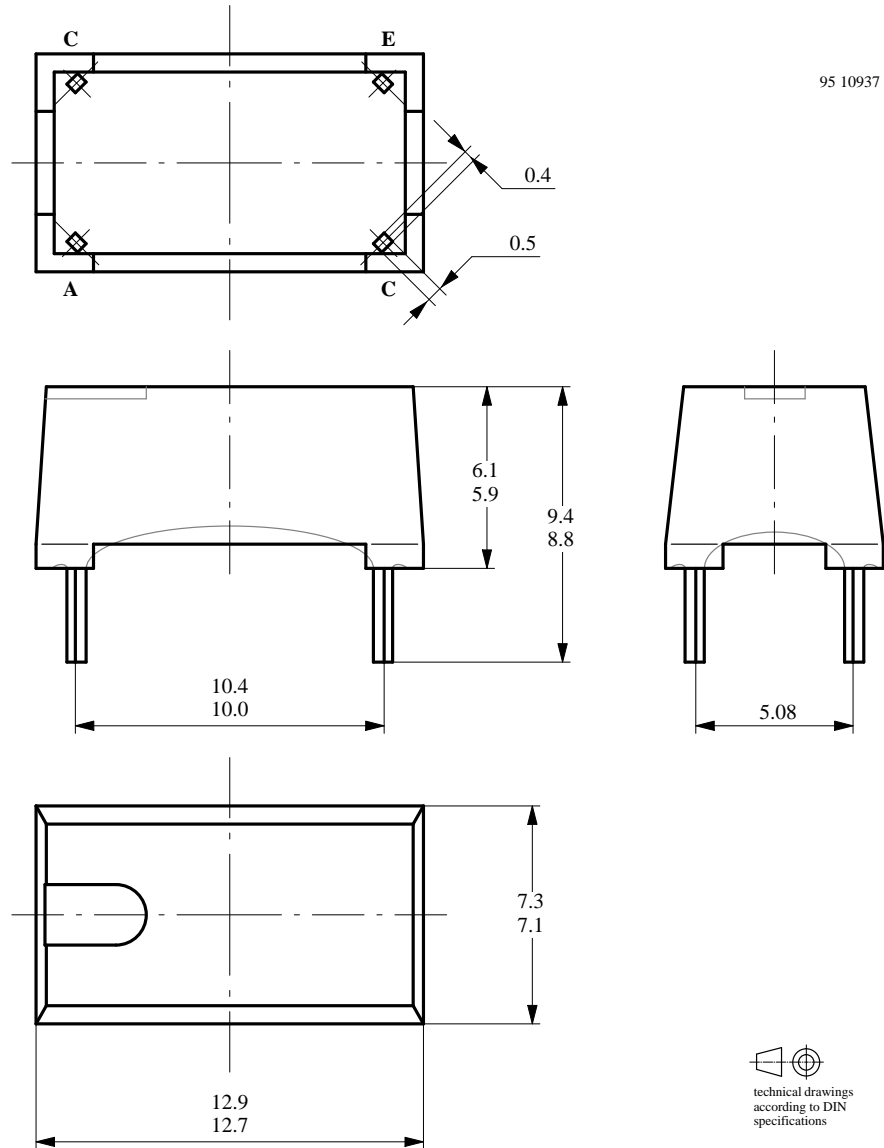


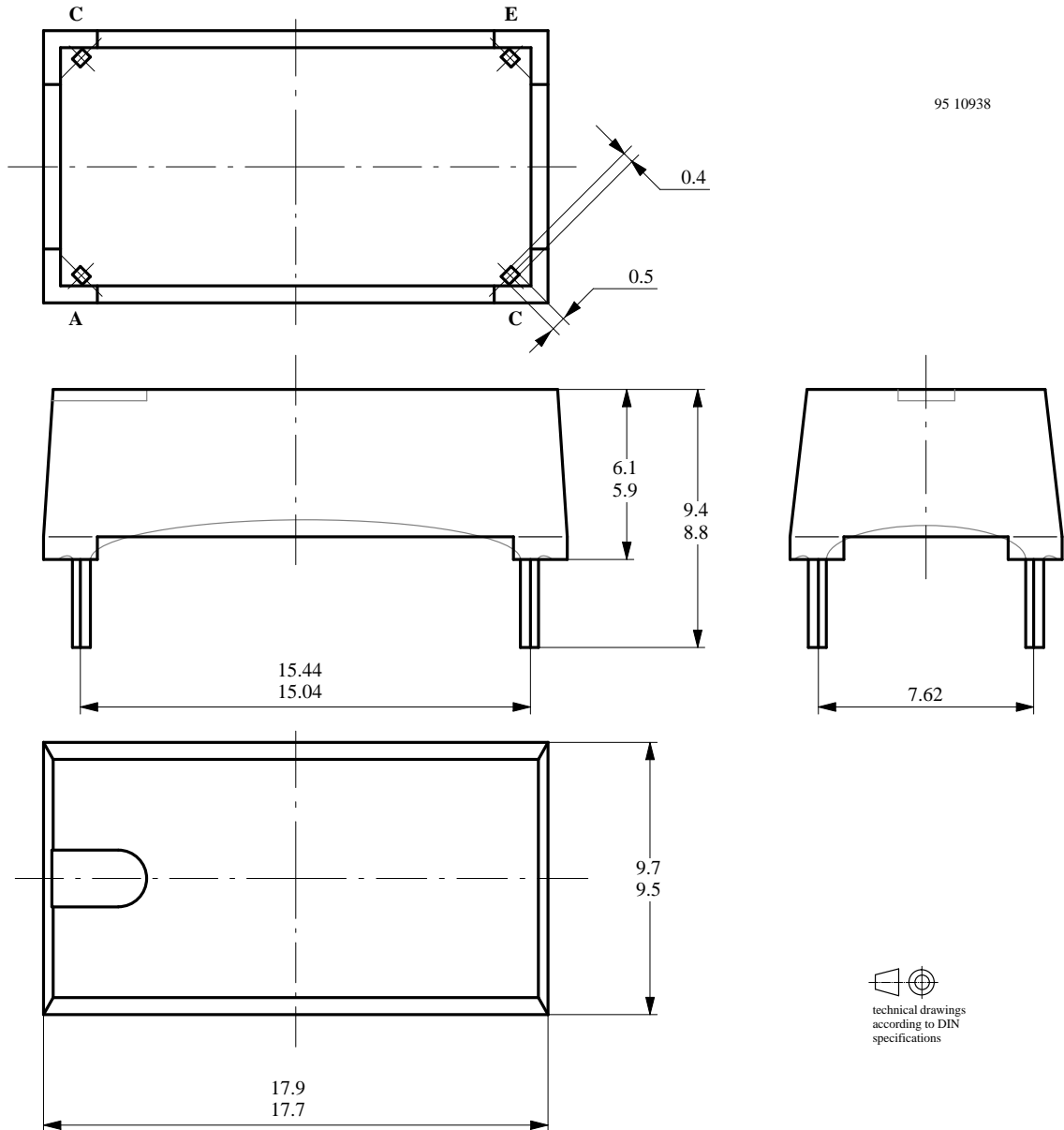
Figure 13. Turn on / off Time vs. Collector Current



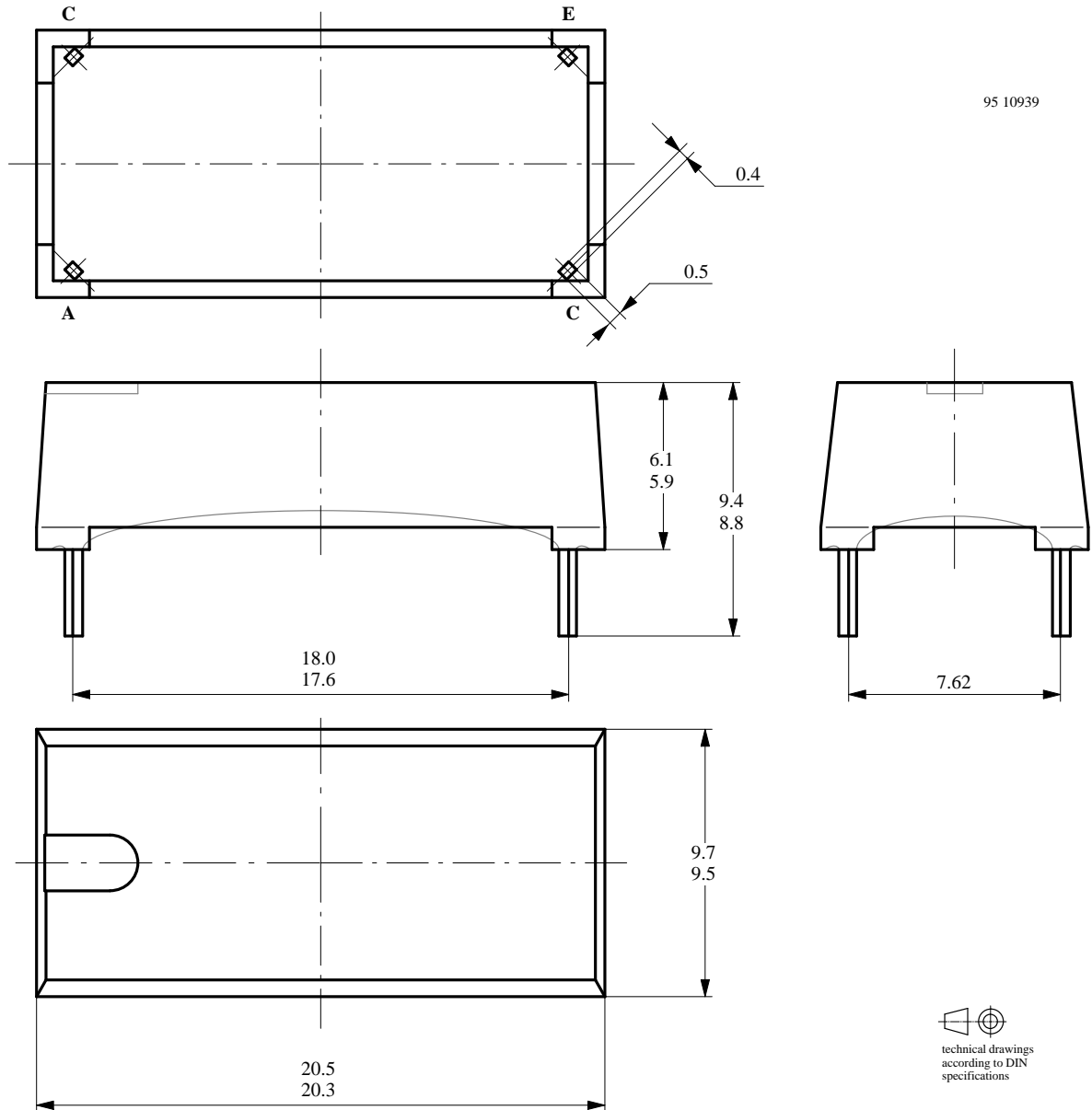
**Dimensions of CNY64 in mm**



## Dimensions of CNY65 in mm



**Dimensions of CNY66 in mm**



## Ozone Depleting Substances Policy Statement

It is the policy of **TEMIC TELEFUNKEN microelectronic GmbH** to

1. Meet all present and future national and international statutory requirements.
2. Regularly and continuously improve the performance of our products, processes, distribution and operating systems with respect to their impact on the health and safety of our employees and the public, as well as their impact on the environment.

It is particular concern to control or eliminate releases of those substances into the atmosphere which are known as ozone depleting substances (ODSs).

The Montreal Protocol (1987) and its London Amendments (1990) intend to severely restrict the use of ODSs and forbid their use within the next ten years. Various national and international initiatives are pressing for an earlier ban on these substances.

**TEMIC TELEFUNKEN microelectronic GmbH** semiconductor division has been able to use its policy of continuous improvements to eliminate the use of ODSs listed in the following documents.

1. Annex A, B and list of transitional substances of the Montreal Protocol and the London Amendments respectively
2. Class I and II ozone depleting substances in the Clean Air Act Amendments of 1990 by the Environmental Protection Agency (EPA) in the USA
3. Council Decision 88/540/EEC and 91/690/EEC Annex A, B and C (transitional substances) respectively.

**TEMIC** can certify that our semiconductors are not manufactured with ozone depleting substances and do not contain such substances.

**We reserve the right to make changes to improve technical design and may do so without further notice.**

Parameters can vary in different applications. All operating parameters must be validated for each customer application by the customer. Should the buyer use TEMIC products for any unintended or unauthorized application, the buyer shall indemnify TEMIC against all claims, costs, damages, and expenses, arising out of, directly or indirectly, any claim of personal damage, injury or death associated with such unintended or unauthorized use.

TEMIC TELEFUNKEN microelectronic GmbH, P.O.B. 3535, D-74025 Heilbronn, Germany  
Telephone: 49 (0)7131 67 2831, Fax number: 49 (0)7131 67 2423