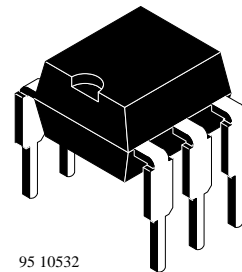


## Optocoupler with Phototransistor Output

### Description

The 4N35/ 36/ 37 consist of a phototransistor optically coupled to a gallium arsenide infrared-emitting diode in a 6-lead plastic dual inline package.

The elements are mounted on one leadframe using a coplanar technique, providing a fixed distance between input and output for highest safety requirements.



95 10532

### Applications

Galvanically separated circuits for general purposes



### Features

- Isolation test voltage (RMS) 3.75 kV
- UL recognized, file No. E-76222
- Low coupling capacity of typical 0.3 pF
- Current Transfer Ratio > 100%
- Low temperature coefficient of the CTR

### Order Schematic

Part Numbers	CTR-Ranking
4N35/ 4N35S	> 100%
4N36/ 4N36S	> 100%
4N37/ 4N37S	> 100%

Suffix: S = Waterproofed device

### Remarks

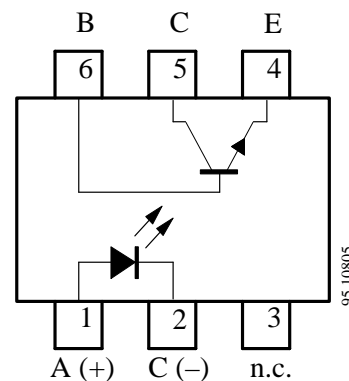
A waterproof construction is recommended for couplers where a pure water cleaning process is used instead of a standard-soldering/ cleaning process. In this case please order the part numbers with the suffix "S".

The waterproof construction corresponds with the coupling system "S", and does not belong to the part number itself.

Standard parts are marked with the letter "A".

This coupling system indicator "A" or "S" is in a separate (second) line of the marking.

### Pin Connection



95 10805

## Absolute Maximum Ratings

### Input (Emitter)

Parameters	Test Conditions	Symbol	Value	Unit
Reserve voltage		$V_R$	6	V
Forward current		$I_F$	60	mA
Forward surge current	$t_p \leq 10 \mu s$	$I_{FSM}$	3	A
Power dissipation	$T_{amb} \leq 25^\circ C$	$P_V$	100	mW
Junction temperature		$T_j$	125	$^\circ C$

### Output (Detector)

Parameters	Test Conditions	Symbol	Value	Unit
Collector base voltage		$V_{CBO}$	70	V
Collector emitter voltage		$V_{CEO}$	30	V
Emitter collector voltage		$V_{ECO}$	7	V
Collector current		$I_C$	50	mA
Peak collector current	$t_p/T = 0.5, t_p \leq 10 ms$	$I_{CM}$	100	mA
Power dissipation	$T_{amb} \leq 25^\circ C$	$P_V$	150	mW
Junction temperature		$T_j$	125	$^\circ C$

### Coupler

Parameters	Test Conditions	Symbol	Value	Unit
Isolation test voltage (RMS)		$V_{IO}^{1)}$	3.75	kV
Total power dissipation	$T_{amb} \leq 25^\circ C$	$P_{tot}$	250	mW
Ambient temperature range		$T_{amb}$	-55 to +100	$^\circ C$
Storage temperature range		$T_{stg}$	-55 to +125	$^\circ C$
Soldering temperature	2 mm from case, $t \leq 10 s$	$T_{sd}$	260	$^\circ C$

1) related to standard climate 23/50 DIN 50014

## Electrical Characteristics

$T_{amb} = 25^{\circ}\text{C}$ , unless otherwise specified

### Input (Emitter)

Parameters	Test Conditions	Symbol	Min.	Typ.	Max.	Unit
Forward voltage	$I_F = 10\text{ mA}$ $T_{amb} = 100^{\circ}\text{C}$	$V_F$		1.2	1.5	V
		$V_F$			1.4	V
Breakdown voltage	$I_R = 10\text{ }\mu\text{A}$	$V_{(BR)}$	6			V
Junction capacitance	$V_R = 0, f = 1\text{ MHz}$	$C_j$		50		pF

### Output (Detector)

Parameters	Test Conditions	Symbol	Min.	Typ.	Max.	Unit
Collector base breakdown voltage	$I_C = 100\text{ }\mu\text{A}$	$V_{(BR)CBO}$	70			V
Collector emitter breakdown voltage	$I_C = 1\text{ mA}$	$V_{(BR)CEO}$	30			V
Emitter collector breakdown voltage	$I_E = 100\text{ }\mu\text{A}$	$V_{(BR)ECO}$	7			V
Collector dark current	$I_F = 0, E = 0$ $V_{CE} = 10\text{ V},$ $V_{CE} = 30\text{ V},$ $T_{amb} = 100^{\circ}\text{C}$	$I_{CEO}$ $I_{CEO}$		5	50 500	nA $\mu\text{A}$

### Coupler

Parameters	Test Conditions	Symbol	Min.	Typ.	Max.	Unit
Isolation test voltage (RMS)	$f = 50\text{ Hz}, t = 2\text{ s}$	$V_{IO}^{1)}$	3.75			kV
Isolation resistance	$V_{IO} = 1\text{ kV},$ 40% relative humidity	$R_{IO}^{1)}$		$10^{12}$		$\Omega$
$I_C/I_F$	$I_F = 10\text{ mA}, V_{CE} = 10\text{ V}$ $T_{amb} = 100^{\circ}\text{C}$	CTR	1			
		CTR	0.4			
Collector emitter saturation voltage	$I_F = 10\text{ mA},$ $I_C = 0.5\text{ mA}$	$V_{CEsat}$			0.3	V
Cut-off frequency	$I_F = 10\text{ mA}, V_{CE} = 5\text{ V},$ $R_L = 100\text{ }\Omega$	$f_c$		110		kHz
Coupling capacitance	$f = 1\text{ MHz}$	$C_k$		0.3		pF

<sup>1)</sup> related to standard climate 23/50 DIN 50014

## Switching Characteristics

$V_S = 10\text{ V}$ ,  $I_C = 2\text{ mA}$ ,  $R_L = 100\ \Omega$  (see figure 1)

Parameters	Test Conditions	Symbol	Min.	Typ.	Max.	Unit
Turn-on time		$t_{on}$		5.5	10	$\mu\text{s}$
Turn-off time		$t_{off}$		4.5	10	$\mu\text{s}$

$V_S = 5\text{ V}$ ,  $I_F = 10\text{ mA}$ ,  $R_L = 1\text{ k}\Omega$  (see figure 2)

Parameters	Test Conditions	Symbol	Min.	Typ.	Max.	Unit
Turn-on time		$t_{on}$		9		$\mu\text{s}$
Turn-off time		$t_{off}$		18		$\mu\text{s}$

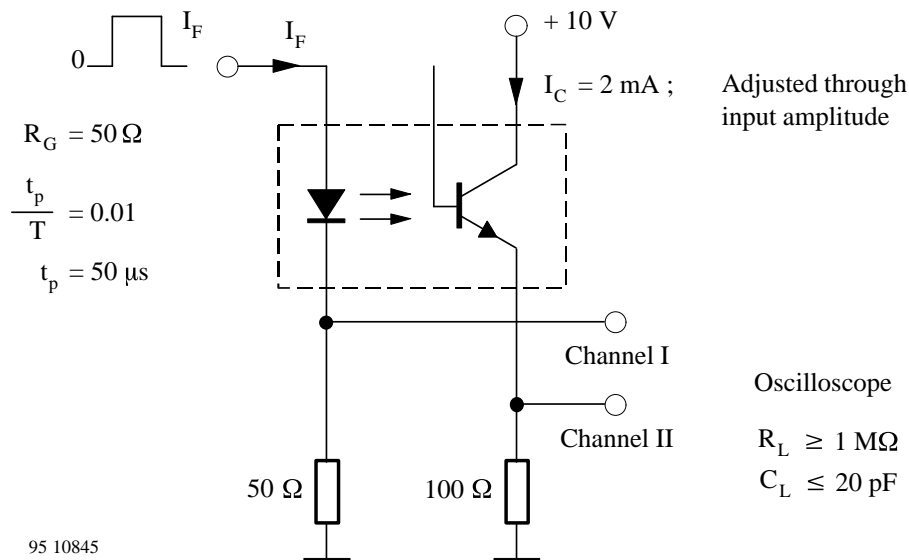


Figure 1. Test circuit, non-saturated operation

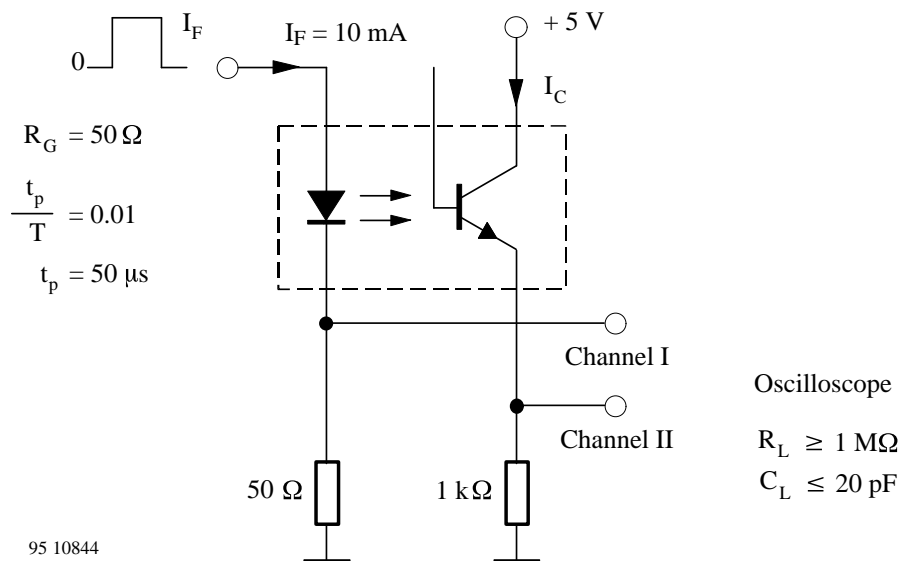


Figure 2. Test circuit, saturated operation

**Typical Characteristics** ( $T_{amb} = 25^{\circ}\text{C}$ , unless otherwise specified)

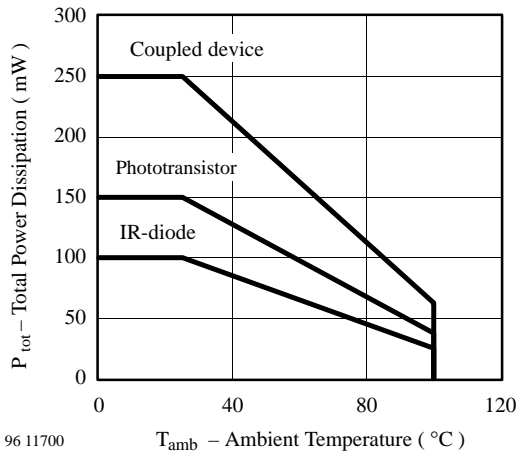


Figure 3. Total Power Dissipation vs. Ambient Temperature

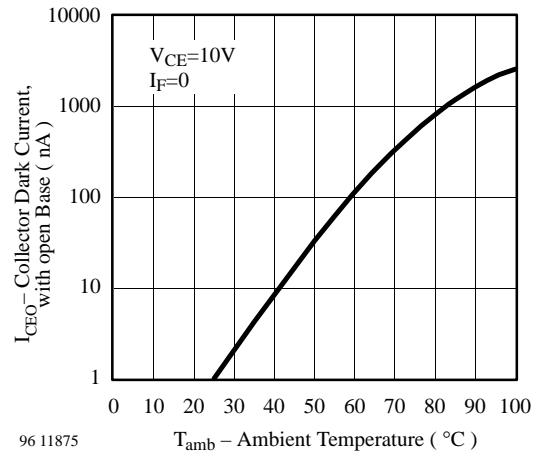


Figure 6. Collector Dark Current vs. Ambient Temperature

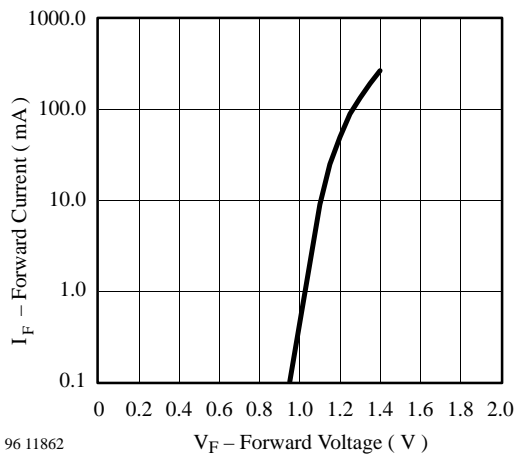


Figure 4. Forward Current vs. Forward Voltage

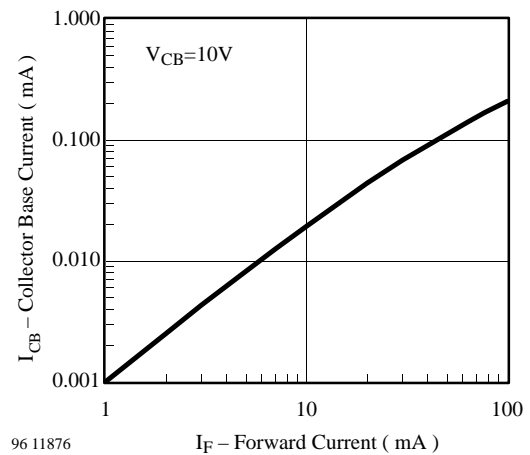


Figure 7. Collector Base Current vs. Forward Current

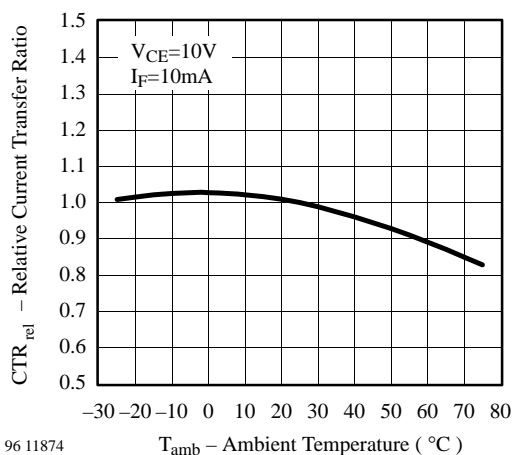


Figure 5. Rel. Current Transfer Ratio vs. Ambient Temperature

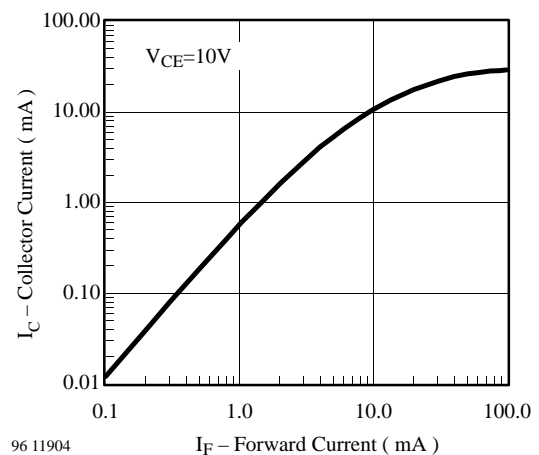


Figure 8. Collector Current vs. Forward Current

## Typical Characteristics ( $T_{amb} = 25^{\circ}\text{C}$ , unless otherwise specified)

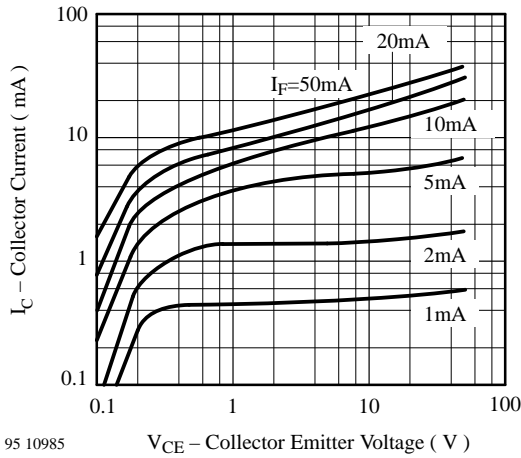


Figure 9. Collector Current vs. Collector Emitter Voltage

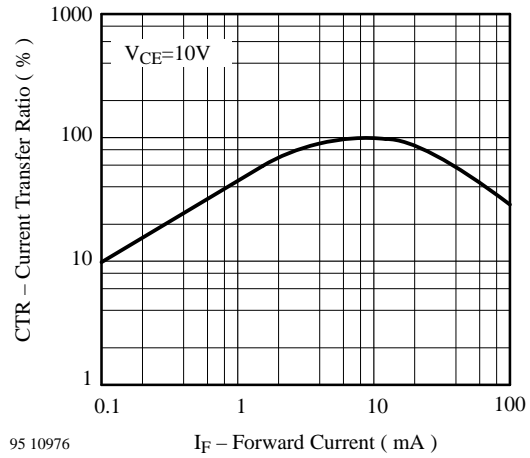


Figure 12. Current Transfer Ratio vs. Forward Current

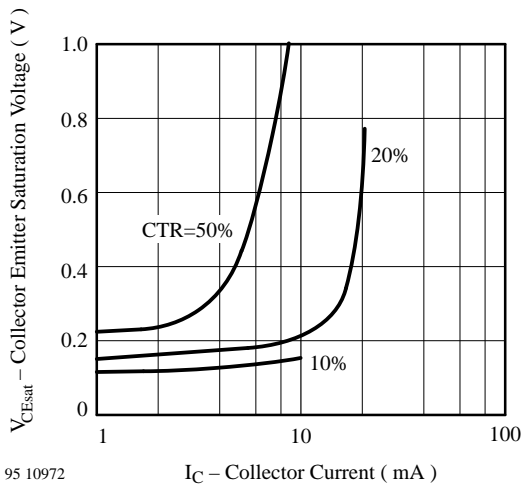


Figure 10. Collector Emitter Sat. Voltage vs. Collector Current

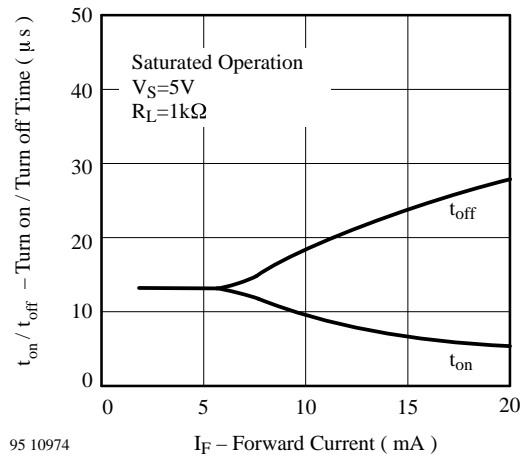


Figure 13. Turn on / off Time vs. Forward Current

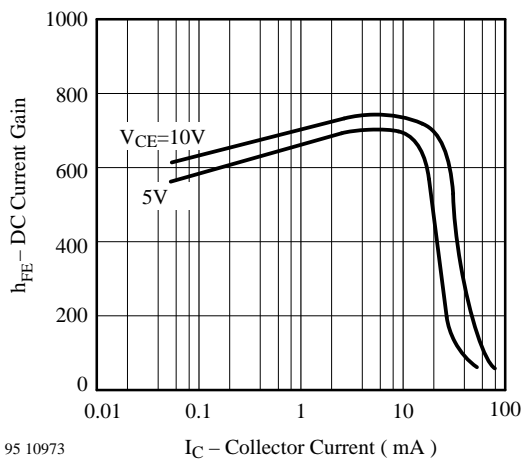


Figure 11. DC Current Gain vs. Collector Current

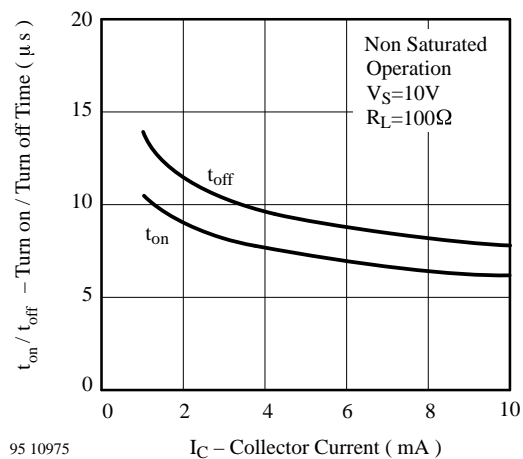
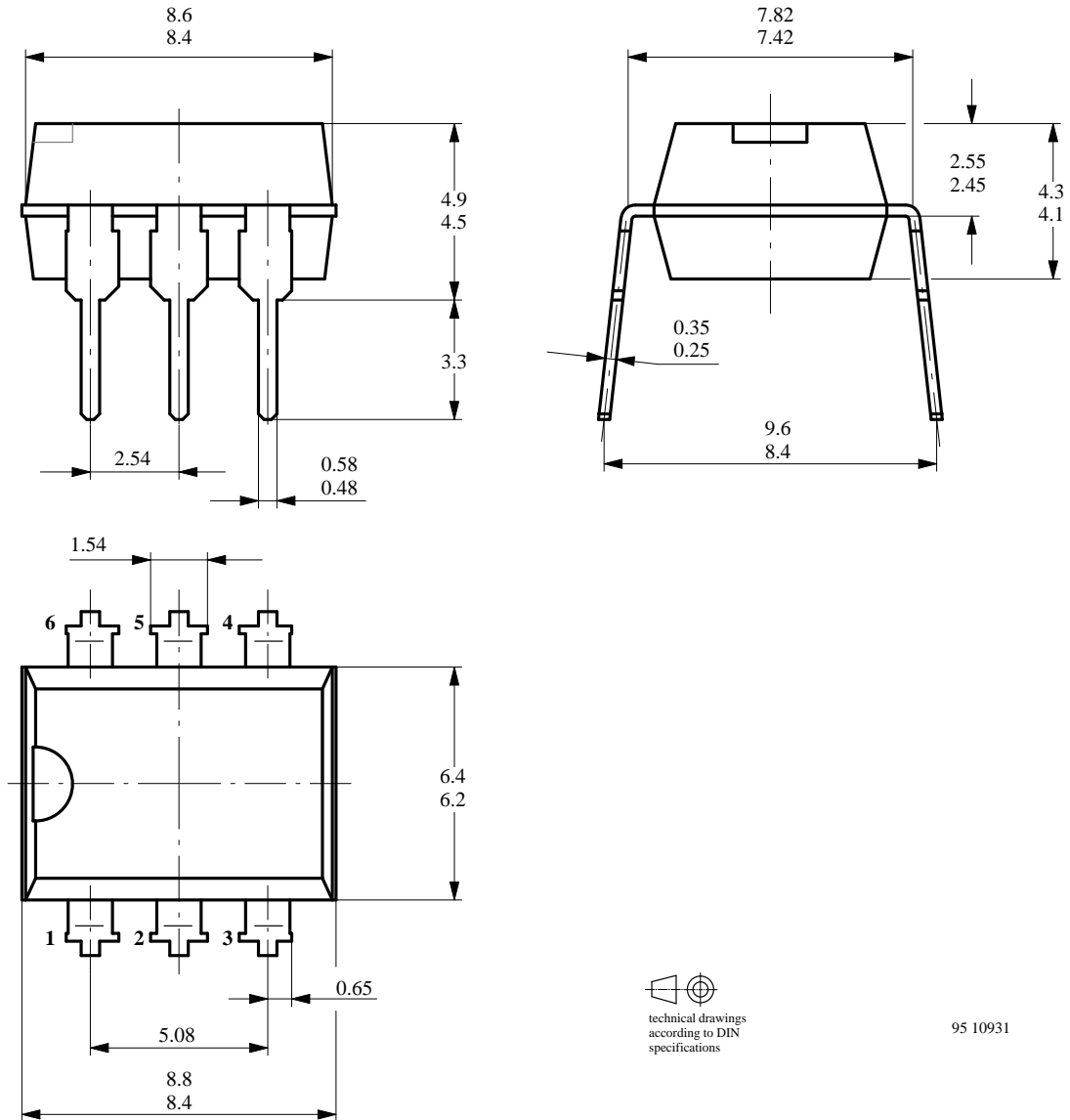


Figure 14. Turn on / off Time vs. Collector Current

**Dimensions in mm**



technical drawings  
according to DIN  
specifications

95 10931

## Ozone Depleting Substances Policy Statement

It is the policy of **TEMIC TELEFUNKEN microelectronic GmbH** to

1. Meet all present and future national and international statutory requirements.
2. Regularly and continuously improve the performance of our products, processes, distribution and operating systems with respect to their impact on the health and safety of our employees and the public, as well as their impact on the environment.

It is particular concern to control or eliminate releases of those substances into the atmosphere which are known as ozone depleting substances (ODSs).

The Montreal Protocol (1987) and its London Amendments (1990) intend to severely restrict the use of ODSs and forbid their use within the next ten years. Various national and international initiatives are pressing for an earlier ban on these substances.

**TEMIC TELEFUNKEN microelectronic GmbH** semiconductor division has been able to use its policy of continuous improvements to eliminate the use of ODSs listed in the following documents.

1. Annex A, B and list of transitional substances of the Montreal Protocol and the London Amendments respectively
2. Class I and II ozone depleting substances in the Clean Air Act Amendments of 1990 by the Environmental Protection Agency (EPA) in the USA
3. Council Decision 88/540/EEC and 91/690/EEC Annex A, B and C (transitional substances) respectively.

**TEMIC** can certify that our semiconductors are not manufactured with ozone depleting substances and do not contain such substances.

**We reserve the right to make changes to improve technical design and may do so without further notice.**

Parameters can vary in different applications. All operating parameters must be validated for each customer application by the customer. Should the buyer use TEMIC products for any unintended or unauthorized application, the buyer shall indemnify TEMIC against all claims, costs, damages, and expenses, arising out of, directly or indirectly, any claim of personal damage, injury or death associated with such unintended or unauthorized use.

TEMIC TELEFUNKEN microelectronic GmbH, P.O.B. 3535, D-74025 Heilbronn, Germany  
Telephone: 49 (0)7131 67 2831, Fax number: 49 (0)7131 67 2423