

QSI LASER DIODE SPECIFICATIONS FOR APPROVAL

Customer :

Model : QL68G5HF-L

Signature of Approval

Approved by _____

Checked by _____

Issued by _____

Approval by Customer



315-9, Cheonheung-ri, Sungger-eup,
Cheonan-city, Chungnam, Korea 330-836

WWW.QSILaser.com

QL68G5HF-L

AlGaInP Laser Diode

Quantum Semiconductor International Co., Ltd.

09. 26. 2008

◆ OVERVIEW

QL68G5HF-L is a MOCVD grown 680nm band *AlGaInP* laser diode with quantum well structure. It's an attractive light source with a typical light output power of 12mW for industrial optical module and sensor application.

◆ APPLICATION

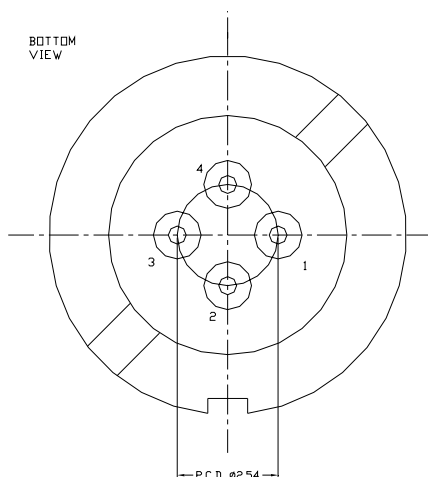
- Laser Printer
- Digital Copiers
- Industrial optical module

◆ FEATURES

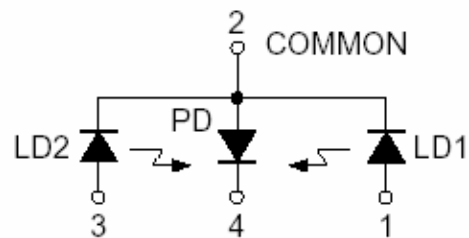
- Visible Light Output : $\lambda_p = 680 \text{ nm}$
- Optical Power Output : 12mW CW
- Dual Beam : 25um pitch (beam to beam)
- Package Type : TO-5 (9.0mm ϕ)
- Built-in Photo Diode for Monitoring Laser Diode

◆ ELECTRICAL CONNECTION

Bottom View



Pin Configuration



QL68G5HF-L

◆ ABSOLUTE MAXIMUM RATING at Tc=25°C

Items	Symbols	Values	Unit
Optical Output Power	P	15	mW
Laser Diode Reverse Voltage	V	3	V
Photo Diode Reverse Voltage	V	30	V
Operating Temperature	Topr	-10 ~ +50	°C
Storage Temperature	Tstg	-40 ~ +80	°C

◆ ELECTRICAL and OPTICAL CHARACTERISTICS at Tc=25°C

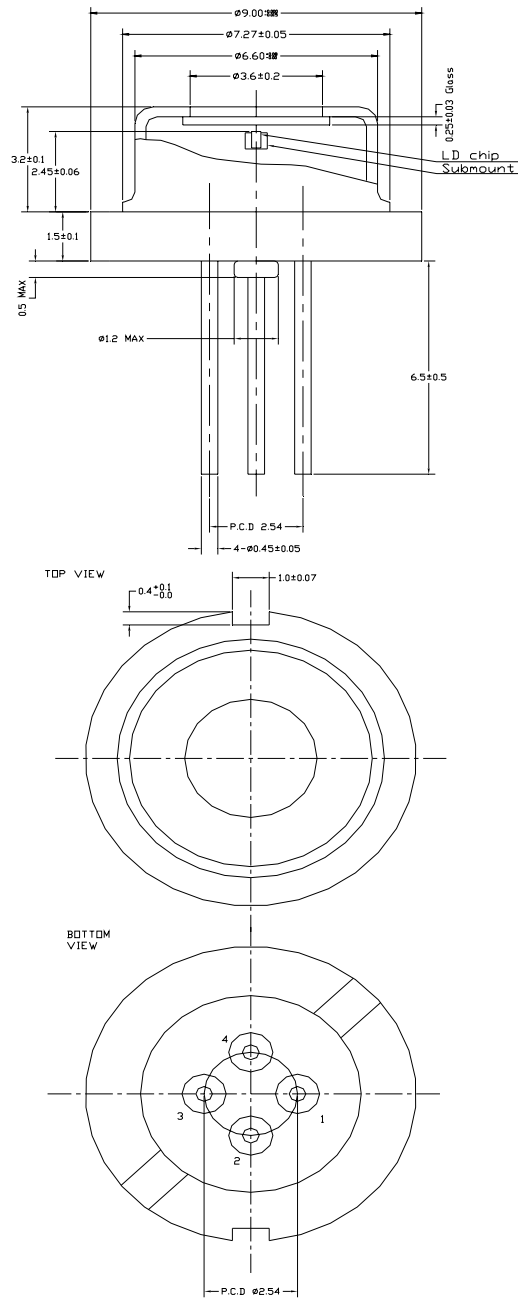
Items	Symbols	Min.	Typ.	Max.	Diff.	Unit	Condition
Optical Output Power	Po	-	12	-		mW	-
Threshold Current	Ith	-	27	35	±5	mA	-
Operating Current	Iop	-	50	65	±3	mA	Po=12mW
Slope efficiency		0.3	0.6	0.8	±0.1	mW/mA	$\frac{12\text{mW}}{I(12\text{mW})-I(2\text{mW})}$
Operating Voltage	Vop	-	2.4	2.8	-	V	Po=12mW
Lasing Wavelength	λ_p	670	680	690	±1	nm	Po=12mW
Beam Divergence	$\theta_{ }$	5	7	9	±1	deg	Po=12mW
	θ_{\perp}	30	35	40	±3	deg	Po=12mW
Beam Angle	$\Delta\theta_{ }$	-3	-	+3.0		deg	Po=12mW
	$\Delta\theta_{\perp}$	-3	-	+3.0		deg	Po=12mW
Monitor Current	I _m	0.04	-	0.3	±15%	mA	Po=12mW
Optical Distance	$\Delta X, \Delta Y, \Delta Z$	-80	-	+80		μm	Po=12mW
Astigmatism	As			10	±5	μm	Po=12mW
PD Dark Current	I _d	-	-	100	-	nA	-

NOTICE : QL68G5HF- L to be operated on APC circuit.

The above product specifications are subject to change without notice.



◆ PACKAGE DIMENSION



◆PACKING

