

QSI LASER DIODE SPECIFICATIONS FOR APPROVAL

Customer :.

Model : QL67F7S-A/B/C

Signature of Approval

Approved by _____

Checked by _____

Issued by _____

Approval by Customer



QSI Co., Ltd.

315-9, Cheonheung-ri, Sungger-eup,
Cheonan-city, Chungnam, Korea 330-836

WWW.QSILaser.com

QL67F7S-A/B/C

InGaAIP Laser Diode

Quantum Semiconductor International Co., Ltd.

2004. Rev 3.

◆ OVERVIEW

QL67F7S-A/B/C is a MOCVD grown 670nm band **Index-Guided** type *InGaAIP* laser diode with quantum well structure. It's an attractive light source, with a typical light output power of 10mW for optoelectronic devices such as Bar Code Reader.

◆ APPLICATION

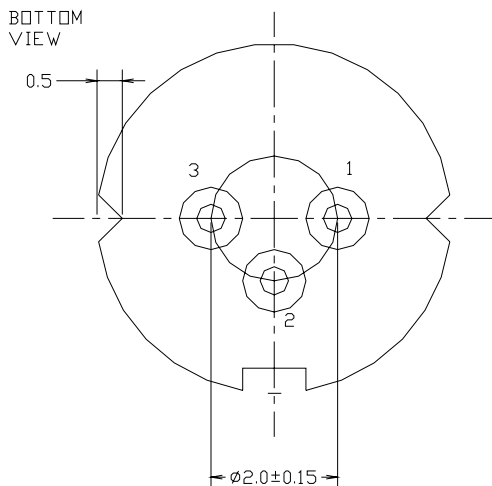
- Optical Leveler
- Laser Module
- Bar Code Reader

◆ FEATURES

- Visible Light Output : $\lambda_p = 670 \text{ nm}$
- Optical Power Output : 10mW CW
- Package Type : TO-18 (5.6mm ϕ)
- Built-in Photo Diode for Monitoring Laser Diode

◆ ELECTRICAL CONNECTION

Bottom View



Pin Configuration

A	LD cathode, PD anode (Fig. 1)
B	LD , PD anode (Fig. 2)
C	LD anode, PD cathode (Fig. 3)

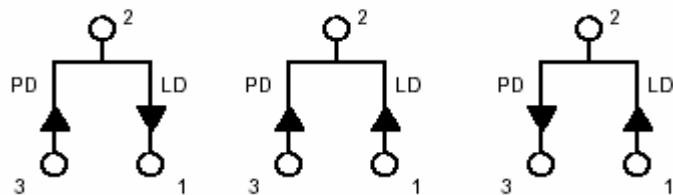


Fig. 1

QL67F7SA

Fig. 2

QL67F7SB

Fig. 3

QL67F7SC

◆ ABSOLUTE MAXIMUM RATING at Tc=25°C

Items	Symbols	Values	Unit
Optical Output Power	P	12	mW
Laser Diode Reverse Voltage	V	2	V
Photo Diode Reverse Voltage	V	30	V
Operating Temperature	Topr	-10 ~ +70	°C
Storage Temperature	Tstg	-40 ~ +85	°C

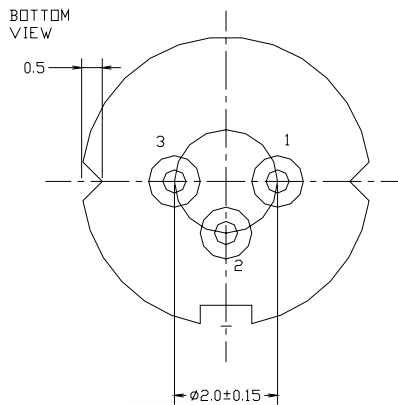
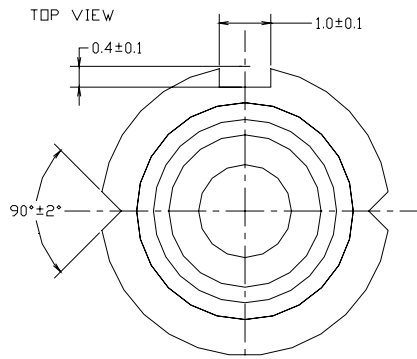
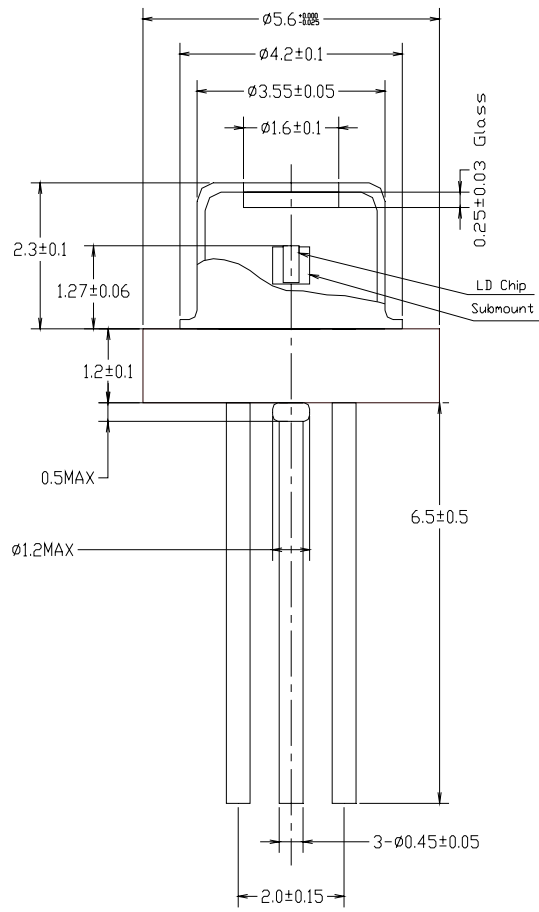
◆ ELECTRICAL and OPTICAL CHARACTERISTICS at Tc=25°C

Items	Symbols	Min.	Typ.	Max.	Unit	Condition
Optical Output Power	Po	-	10	-	mW	-
Threshold Current	Ith	-	20	40	mA	-
Operating Current	Iop	-	40	80	mA	Po=10mW
Operating Voltage	Vop	-	2.3	2.6	V	Po=10mW
Lasing Wavelength	λ_p	660	670	680	nm	Po=10mW
Beam Divergence	$\theta_{ }$	7	9	11	deg	Po=10mW
	θ_{\perp}	20	28	35	deg	Po=10mW
Beam Angle	$\Delta\theta_{ }$	-	-	± 1.5	Deg	Po=10mW
	$\Delta\theta_{\perp}$	-	-	± 2.5	deg	Po=10mW
Monitor Current	I _m	0.1	0.2	0.5	mA	Po=10mW
Astigmatism	As		8		μm	
Optical Distance	$\Delta X, \Delta Y, \Delta Z$	-	-	± 60	μm	-

NOTICE : QL67F7S-A/B/C to be operated on APC

The above product specifications are subject to change without notice.

◆ PACKAGE DIMENSION



◆PACKING

