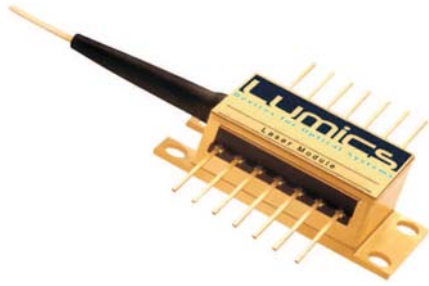


LU0808M250 808nm Single Mode Laser Module up to 250mW c.w. Operating Power



Description:

The Lumics LU0808M250 laser diode module contains an optimized GaAs substrate based quantum well high power laser diode. It has been designed for customer specific applications and is available with special FBG's and fibers. The extremely stringent reliability requirements are achieved through our patent pending innovative technology. This includes careful design, exactly defined manufacturing and extensive testing. The qualification contains a set of optoelectronic, thermal and mechanical tests. Each laser diode module is individually serialized for traceability and is shipped with a specified set of test data.

Features & Functions:

- Wavelength 808nm
- Up to 250mW c.w. operating power
- Up to 300mW peak power
- Short pulses 1nsec - 500nsec
- Single mode pigtail
- Cooled 14pin package
- FBG-options
- PM-fiber option

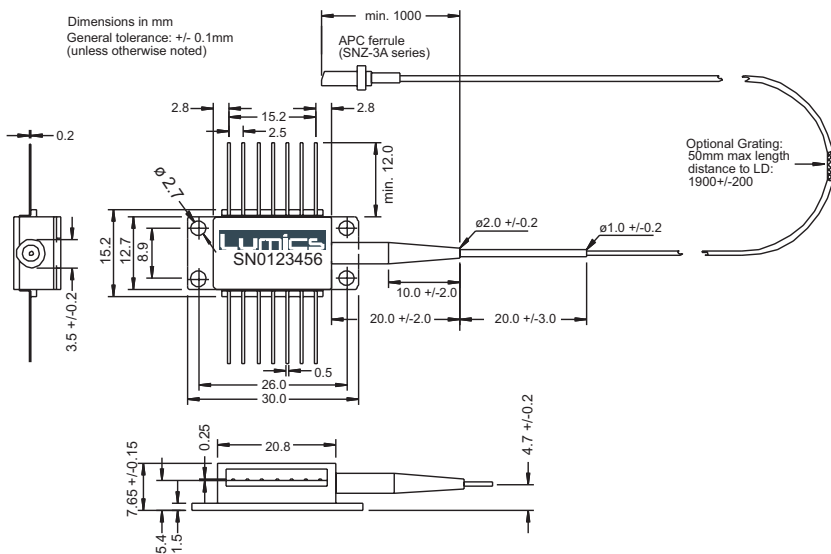
Benefits:

- All laser welded
- High reliability
- Field proven reliability

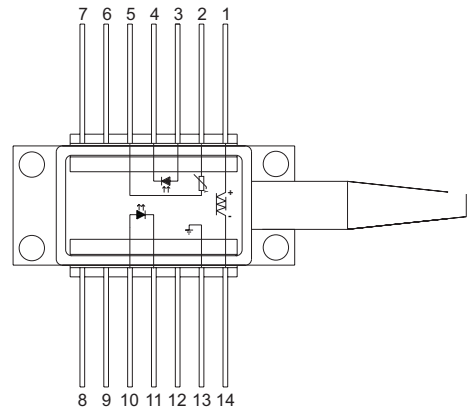
Applications:

- Analytical instruments
- Sensor applications
- Pumping
- Printing

Module Drawing (dimensions in mm)



Pin Connections



Pin	Function	Pin	Function
1	Cooler (+)	8	nc
2	Thermistor	9	nc
3	PD Anode (+)	10	LD Anode (+)
4	PD Cathode (-)	11	LD Cathode (-)
5	Thermistor	12	nc
6	nc	13	Case ground
7	nc	14	Cooler (-)

Your ideas are welcome.

