

1/2 inch CCD Image Sensor for CCIR B/W Camera

Description

The ICX027BLA is an interline transfer CCD solid-state imager suitable for CCIR 1/2 inch B/W video cameras. High sensitiveness is achieved through the adoption of HAD (Hole Accumulation Diode) sensors.

This chip features a field integration read out system, an electronic shutter with variable charge-storage time and 20pin Cer-DIP package.

Features

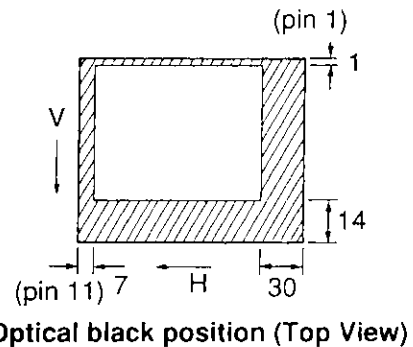
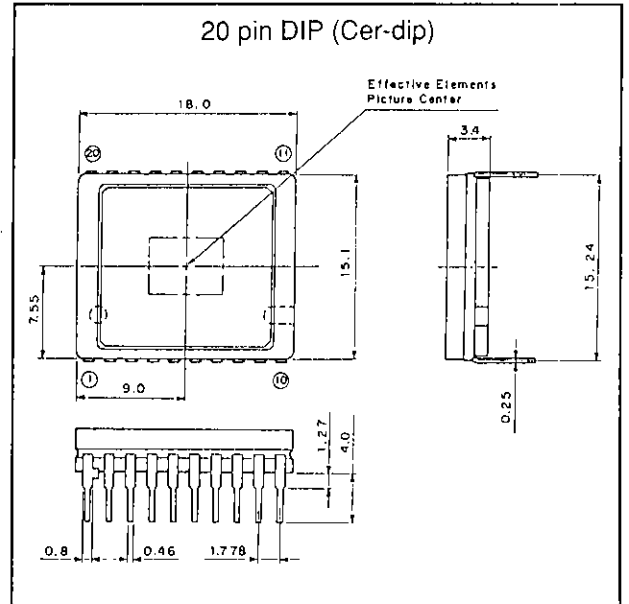
- High sensitivity (+6 dB compare with ICX027AL)
- Optical size 1/2 inch format
- Field integration read out system
- Low dark current
- Horizontal register 5V drive
- High antiblooming
- Low smear
- Variable speed electronic shutter

Device Structure

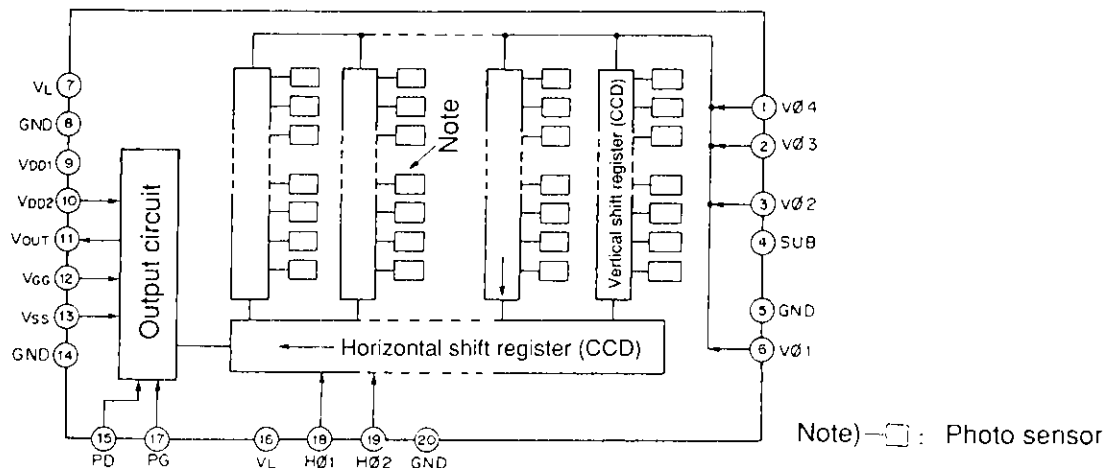
- Number of effective pixels 500 (H) × 582 (V)
- Number of total pixels 537 (H) × 597 (V)
- Interline transfer CCD image sensor
- Chip size 7.84 mm (H) × 6.40 mm (V)
- Unit cell size 12.7 μm (H) × 8.3 μm (V)
- Optical black
 - Horizontal (H) direction Front 7 pixels Rear 30 pixels
 - Vertical (V) direction Front 14 pixels Rear 1 pixels
- Number of dummy bits
 - Horizontal 16
 - Vertical 1 (even field only)
- Substrate material silicon

Package Outline

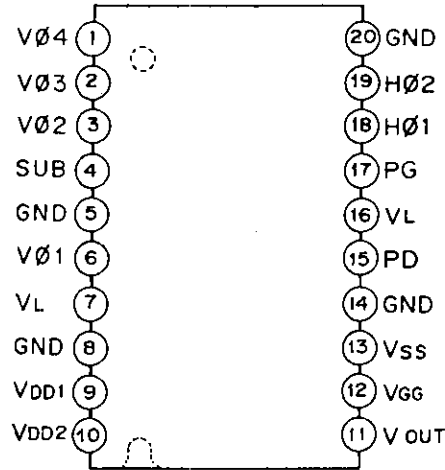
Unit: mm



Block Diagram



Pin Configuration (Top View)



Pin Description

No.	Symbol	Description	No.	Symbol	Description
1	Vφ4	Vertical register transfer clock	11	VOUT	Signal output
2	Vφ3	Vertical register transfer clock	12	VGG	Output amplifier gate bias
3	Vφ2	Vertical register transfer clock	13	VSS	Output amplifier source
4	SUB	Substrate (Overflow drain)	14	GND	GND
5	GND	GND	15	PD	Precharge drain bias
6	Vφ1	Vertical register transfer clock	16	VL	Protective transistor bias
7	VL	Protective transistor bias	17	PG	Precharge gate clock
8	GND	GND	18	Hφ1	Horizontal register transfer clock
9	VDD1	Output amplifier drain supply	19	Hφ2	Horizontal register transfer clock
10	VDD2	Output amplifier drain supply	20	GND	GND

Absolute Maximum Ratings

- Substrate voltage SUB – GND –0.3 to +55 V
- Supply voltage VDD1, VDD2, PD, VOUT, VSS – GND –0.3 to +18 V
VDD1, VDD2, PD, VOUT, VSS – SUB –55 to +10 V
- Clock input voltage Vφ1, Vφ2, Vφ3, Vφ4, Hφ1, Hφ2 – GND –15 to +20 V
Vφ1, Vφ2, Vφ3, Vφ4, Hφ1, Hφ2 – SUB –65 to +10 V
- Voltage difference between vertical clock input pins 15 V*
- Voltage difference between horizontal clock input pins 17 V
- Hφ1, Hφ2, – Vφ4 –17 to +17 V
- PG, VGG – GND –10 to +15 V
- PG, VGG – SUB –55 to +10 V
- VL – SUB –65 to +0.3 V
- Beside GND, SUB, VL – VL –0.3 to +30 V
- Storage temperature –30 to +80°C
- Operating temperature –10 to +55°C

*Note) +27 V (Max.) when clock width < 10 μs, duty factor < 0.1%

Bias Conditions

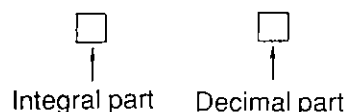
Item	Symbol	Min.	Typ.	Max.	Unit	Remarks	
Output amplifier drain voltage	V _{DD1} , V _{DD2}	14.55	15.0	15.45	V	V _{DD1} = V _{DD2}	
Precharge drain voltage	V _{PD}	14.55	15.0	15.45	V	V _{PD} = V _{DD1} = V _{DD2}	
Output amplifier gate voltage	V _{GG}	1.75	2.0	2.25	V		
Output amplifier source	V _{SS}	Ground through 680 Ω resistor					±5%
Substrate voltage adjustment range	V _{SUB}	7		19	V	*1	
Fluctuation range after substrate voltage adjustment	V _{SUB}	-3		+3	%		
Protective transistor bias	V _L	*2					

DC characteristics

Item	Symbol	Min.	Typ.	Max.	Unit	Remarks
Output amplifier drain current	I _{DD}		2.5		mA	I _{DD} = I _{DD1} + I _{DD2}
Input current	I _{IN1}			1	μA	*3
Input current	I _{IN2}			10	μA	*4

Note) *1. Substrate voltage (V_{SUB}) setting value display.
 Substrate voltage setting value is displayed at the back of the device through a code address. Adjust so as to obtain the displayed voltage at SUB pin.

V_{SUB} code address – two digits display



The relation between code address of integral part and actual numerical values.

Code address of integral part	7	8	9	A	B	C	D	E	F	G	H	I	J
Numerical Value	7	8	9	10	11	12	13	14	15	16	17	18	19

<Example> F5 → 15.5 (V)

- *2. V_L setting is V_{VL} of the vertical transfer clock waveform.
- *3. 1) Current to earth when 18V is applied to pins V_{DD1}, V_{DD2}, V_{OUT}, V_{SS} and SUB pin. However, pins that are not tested are grounded.
 2) Current to earth when 20V is sequentially applied to pins V_{φ1}, V_{φ2}, V_{φ3}, V_{φ4}, H_{φ1} and H_{φ2}. However, 20V is applied to SUB while pins that are not tested are grounded.
 3) Current to earth when 15V is sequentially applied to pins PG and V_{GG}. However, 15V is applied to SUB while pins that are not tested are grounded.
- *4. 1) Current to earth when 55V is applied to SUB pin. Pins that are not tested are grounded.
 2) Current to earth when V_L is grounded, GND and SUB are open and 30V is applied to other pins.

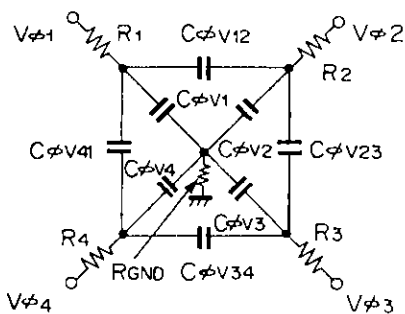
Clock Voltage Conditions

Item	Symbol	Min.	Typ.	Max.	Unit	No.	Remarks
Read out clock voltage	V_{VT}	14.3	15.0	15.7	V	2,6	*1
Vertical transfer clock voltage *2	$V_{VH1}, V_{VH2}, V_{VH3}, V_{VH4}$	-0.2	0	0.2	V	1,2,3,6	$V_{VH} = (V_{VH1} + V_{VH2}) / 2$
	$V_{VL1}, V_{VL2}, V_{VL3}, V_{VL4}$	-9.6	-9.0	-8.3	V	1,2,3,6	$V_{VL} = (V_{VL3} + V_{VL4}) / 2$
	$V_{\phi V}$	8.1	9.0	9.8	V	1,2,3,6	$V_{\phi V} = V_{VHN} - V_{VLN} (n=1 \text{ to } 4)$
	$ V_{VH1} - V_{VH2} $			0.2	V	3,6	
	$V_{VH3} - V_{VH}$	-0.4		0.1	V	2,3,6	
	$V_{VH4} - V_{VH}$	-0.4		0.1	V	1,3,6	
	V_{VHH}			0.8	V	1,2,3,6	High level coupling
	V_{VHL}			1.0	V	1,2,3,6	High level coupling
	V_{VLH}			0.8	V	1,2,3,6	Low level coupling
	V_{VLL}			0.8	V	1,2,3,6	Low level coupling
Horizontal transfer clock voltage	$V_{\phi H}$	4.7	5.0	5.3	V	18,19	*3
	V_{HL}	-0.05	0	0.05	V	18,19	
Precharge gate clock voltage	$V_{\phi PG}$	8.0		11.5	V	17	*4
	V_{PGL}	-0.1	0	0.1	V	17	
Substrate clock voltage	$V_{\phi SUB}$	23.0	32.0	34.0	V	4	*5

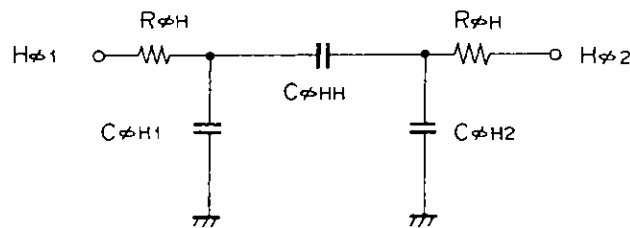
- Note)** *1. See Fig. 1.
 *2. See Fig. 2.
 *3. See Fig. 3.
 *4. See Fig. 3.
 *5. See Fig. 4.

Clock Equivalent Circuit Constant

Item	Symbol	Min.	Typ.	Max.	Unit	Remarks
Capacitance between vertical transfer clock and GND	$C_{\phi V1}, C_{\phi V3}$		1000		pF	
Capacitance between vertical transfer clock and GND	$C_{\phi V2}, C_{\phi V4}$		1200		pF	
Capacitance between vertical transfer clocks	$C_{\phi V12}, C_{\phi V34}$		1400		pF	
Capacitance between vertical transfer clocks	$C_{\phi V23}, C_{\phi V41}$		900		pF	
Capacitance between horizontal transfer clock and GND	$C_{\phi H1}, C_{\phi H2}$		70		pF	
Capacitance between horizontal transfer clocks	$C_{\phi HH}$		50		pF	
Capacitance between precharge gate clock and GND	$C_{\phi PG}$		8		pF	
Capacitance between substrate clock and GND	$C_{\phi SUB}$		400		pF	
Vertical transfer clock serial resistor	R_1, R_2, R_3, R_4		33		Ω	
Vertical transfer clock ground resistor	R_{GND}		15		Ω	
Horizontal transfer clock serial resistor	$R_{\phi H}$		10		Ω	



Vertical transfer clock equivalent circuit



Horizontal transfer clock equivalent circuit

Drive Clock Waveform Conditions

1. Read out clock waveform

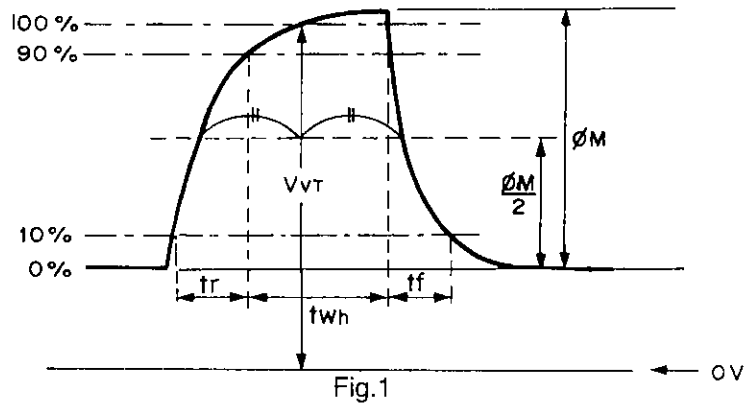


Fig.1

2. Vertical transfer clock waveform

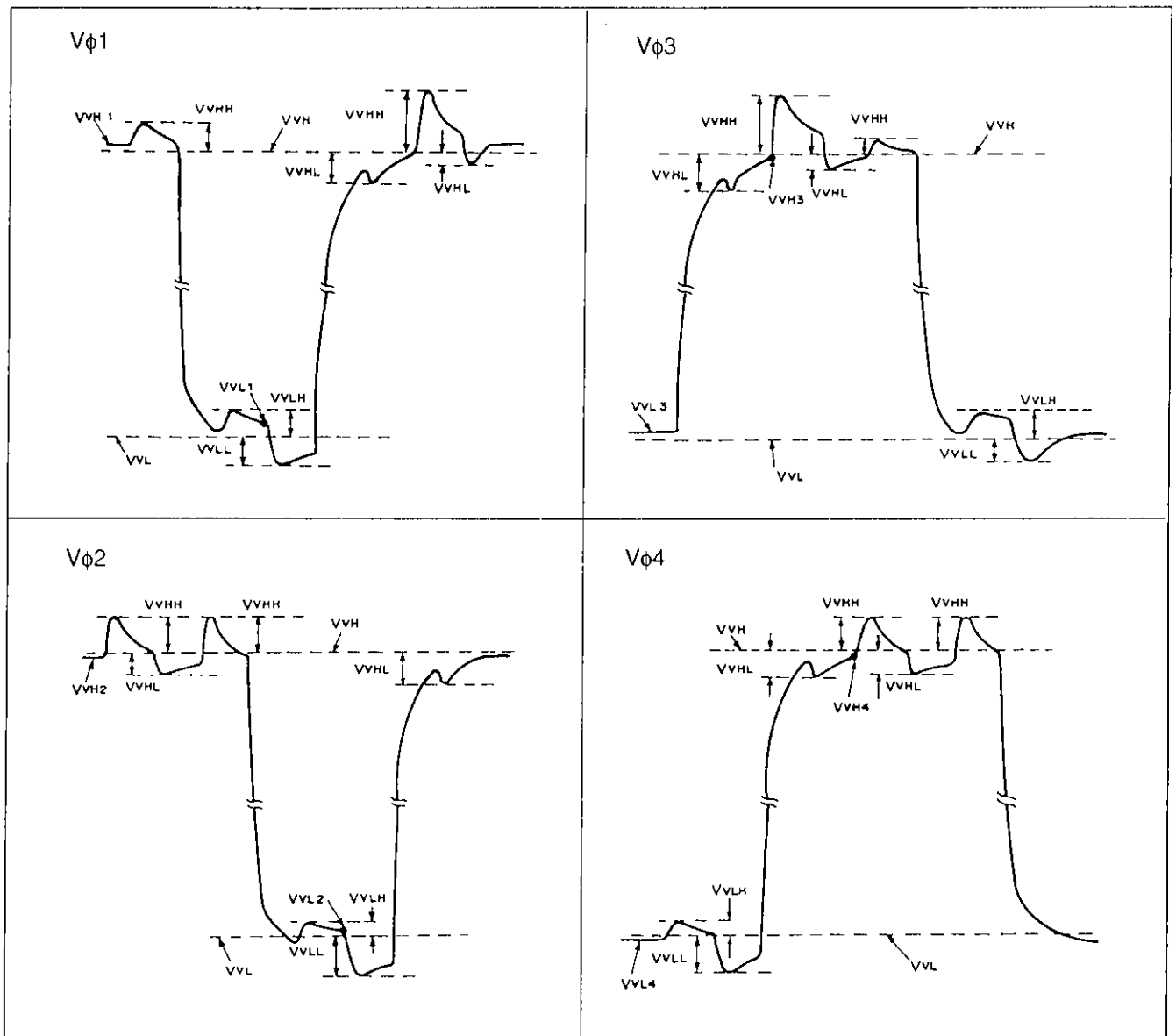


Fig.2

3. Horizontal transfer clock waveform/Precharge gate clock waveform

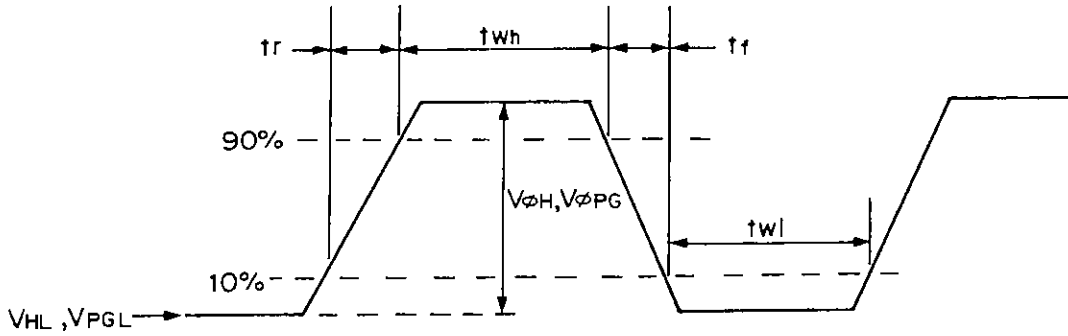


Fig. 3

Item	Symbol	twh			tvl			tr			tf			Unit	Remarks
		Min.	Typ.	Max.	Min.	Typ.	Max.	Min.	Typ.	Max.	Min.	Typ.	Max.		
Read out clock	V _r	1.5	1.85							0.5			0.5	μs	During read out
Vertical transfer clock	V _{φ1} , V _{φ2} , V _{φ3} , V _{φ4}									0.45	0.015		0.25	μs	*
Horizontal transfer clock	H _φ	38	42		38	42			12	15		10	15	ns	During imaging
Horizontal transfer clock	H _{φ1}		5.6						0.012			0.01		μs	During parallel serial conversion.
Horizontal transfer clock	H _{φ2}					5.6			0.012			0.01		μs	During parallel serial conversion.
Precharge gate clock	φ _{PG}	15	17		76	82			4			3		ns	
Substrate clock	φ _{SUB}	1.5	2.1										0.5	μs	During charge drain

*Note) When vertical transfer clock driver CXD1250 is in use.

4. Substrate clock waveform

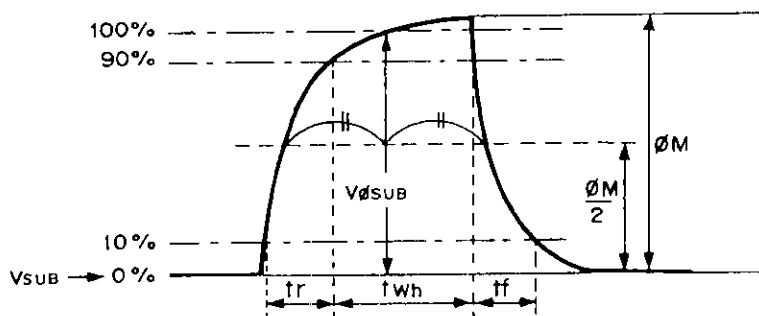


Fig. 4

Operating Characteristics

Ta = 25°C

Item	Symbol	Min.	Typ.	Max.	Unit	Test method	Remarks
Sensitivity	S	220	300		mV	1	
Saturation signal	Vsat	450			mV	2	Ta=55°C
Smear	SM		0.007	0.015	%	3	
Blooming margin		1000			times	4	
Video signal shading	SH			20	%	5	Zone 0, I
				25	%	5	Zone 0 to II'
Dark signal	Vdt			2	mV	6	Ta=55°C
Dark signal shading	ΔVdt			1	mV	7	Ta=55°C
Flicker	F			2	%	8	
Lag	$\Delta Vlag$			0.5	%	9	

Test Method

Test conditions

- ① Through the following tests the substrate voltage should set to the value displayed on the device, while the device drive conditions should be kept within the range of the bias and clock voltage conditions.
- ② Through the following tests defects are excluded and, unless otherwise specified, the optical black level (Hence forth referred to as OPB) is set as the reference. The values obtained at A point in the figure of the Drive Circuit are utilized.

Definition of standard imaging conditions

- ① Standard imaging condition I: (As imaging device) Use a pattern box (luminance 706 cd/m², 3200 K Halogen source), at F8 with a typical test lens, and CM-500S (t=1.0 mm) for IR cut filter.
- ② Standard imaging condition II: Use a light source with uniformity within 2%, color temperature of 3200 K and CM-500S (t=1.0 mm) as IR cut filter. The light intensity is adjusted in accordance with the average signals (VA) indicated in each item.

1. Set to standard imaging condition I and measure signal output (S) at the center of the screen.
2. Set to standard imaging condition II. Adjust light intensity to 10 times when the average signal VA=150mV. Then test signal Min. Value.
3. Set to standard imaging condition II. Adjust light intensity to 500 times when the average signal VA=150mV. Stop Read out clock. When the charge drain executed by the electronic shutter at the respective H blankings takes place, test the Max. value VSM of signal output.

$$SM = (V_{SM}/V_A) \times 1/500 \times 1/10 \times 100 (\%) \quad (1/10V)$$

4. Set to standard imaging condition II. Adjust light intensity to 1000 times when the average signal VA=150mV. Then check that there is no blooming.

5. Video signal shading SH

Set to standard imaging condition II. Test signal Max. (Vmax) and Min. (Vmin) values. Adjust light intensity to obtain an average signal (VA) of about 150mV.

$$SH = (V_{max} - V_{min})/V_A \times 100 (\%)$$

6. Test the average signal when the device ambient temperature is at 55°C and light is obstructed with horizontal idle transfer level as reference.

7. Following test 6, test Max. (Vd max) and Min. (Vd min) of signal output. Only keep spot defects out of this range.

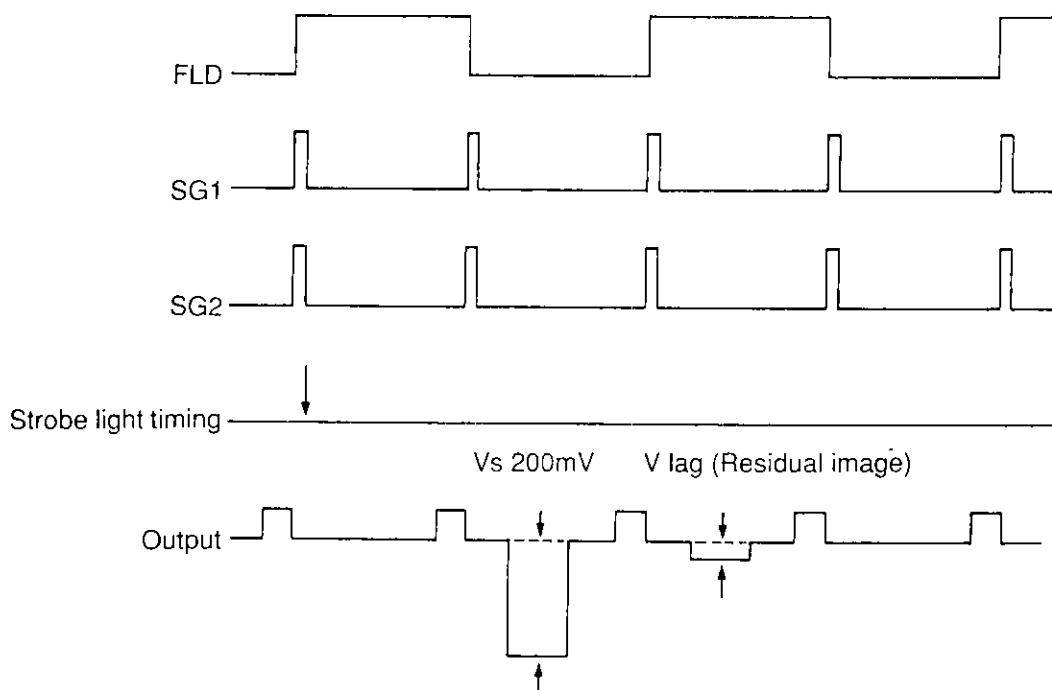
$$\Delta V_{dt} = V_{d \max} - V_{d \min}$$

8. Set to imaging condition II. Test the output signal difference (ΔV_f) between even and odd field. At that time, adjust light intensity to obtain an average signal VA of about 150mV.

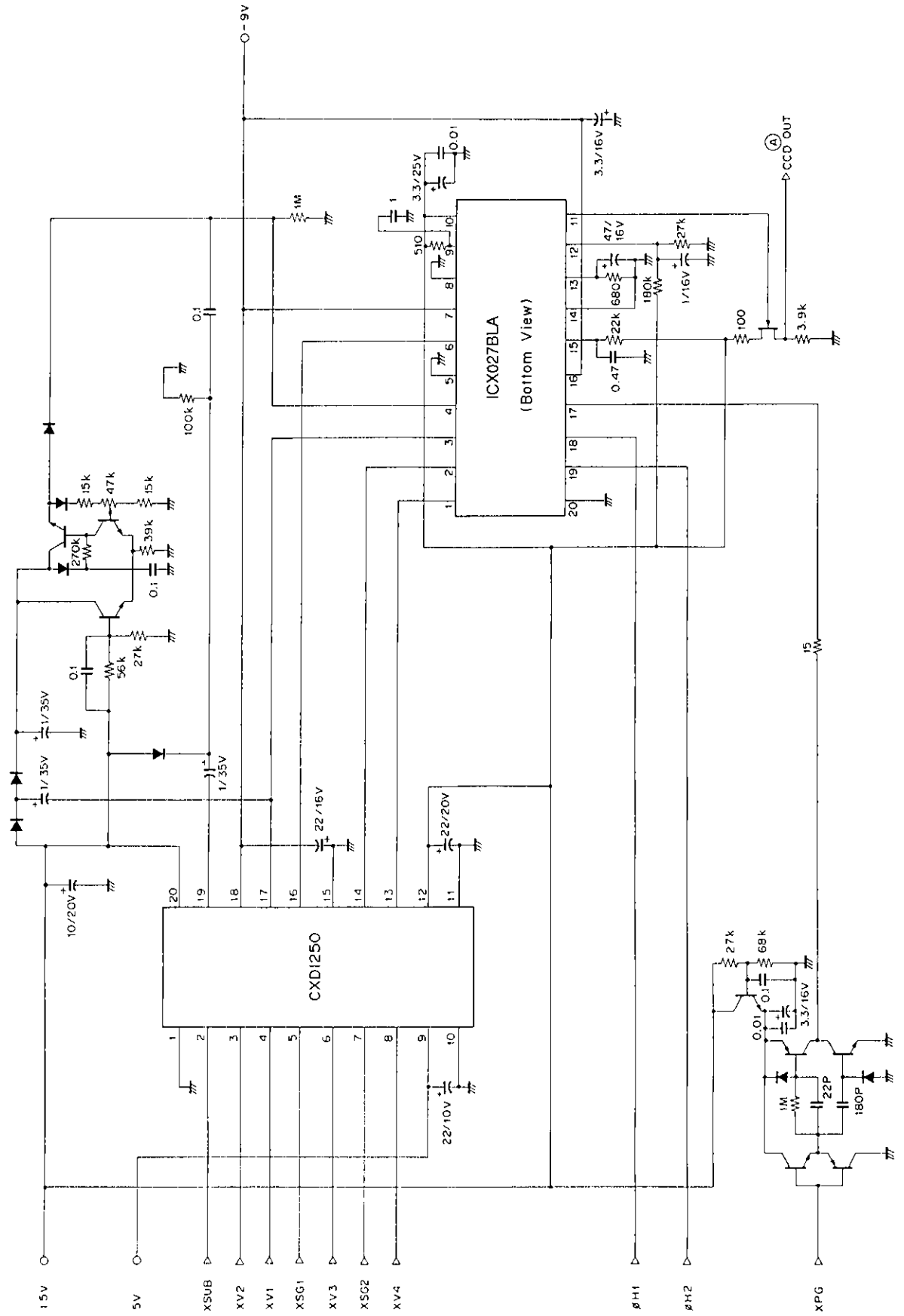
$$F = (\Delta V_f/V_A) \times 100 (\%)$$

9. Light a stroboscopic tube with the following timing and test the residual image.

$$\Delta V_{lag} = (V_{lag}/V_s) \times 100 (\%)$$

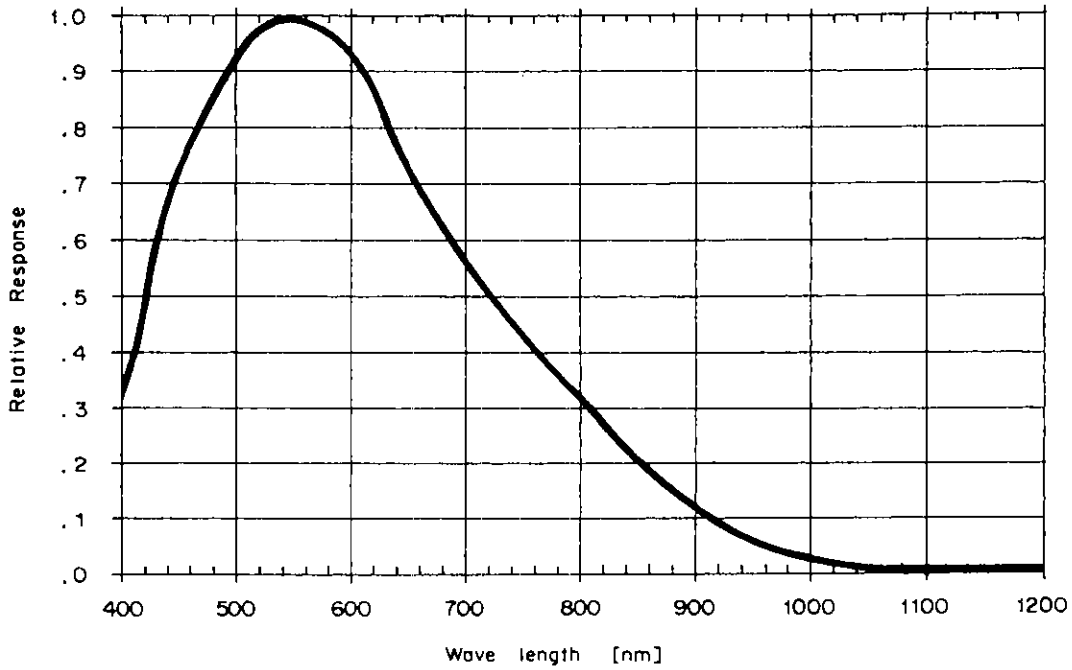


Drive Circuit

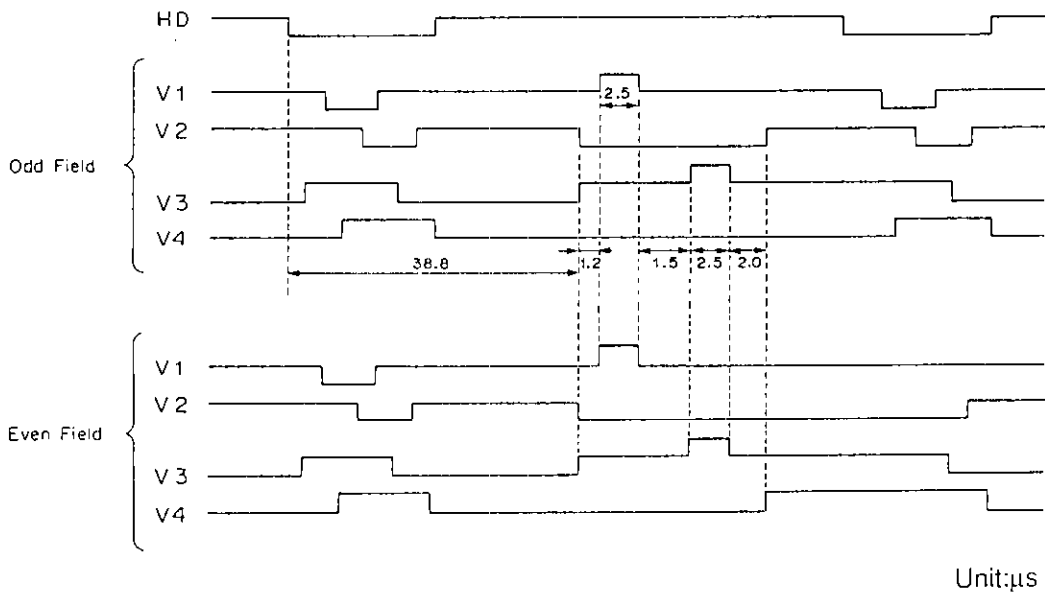


Spectral Sensitivity Characteristics

(Excluding light source characteristics, including lens characteristics)

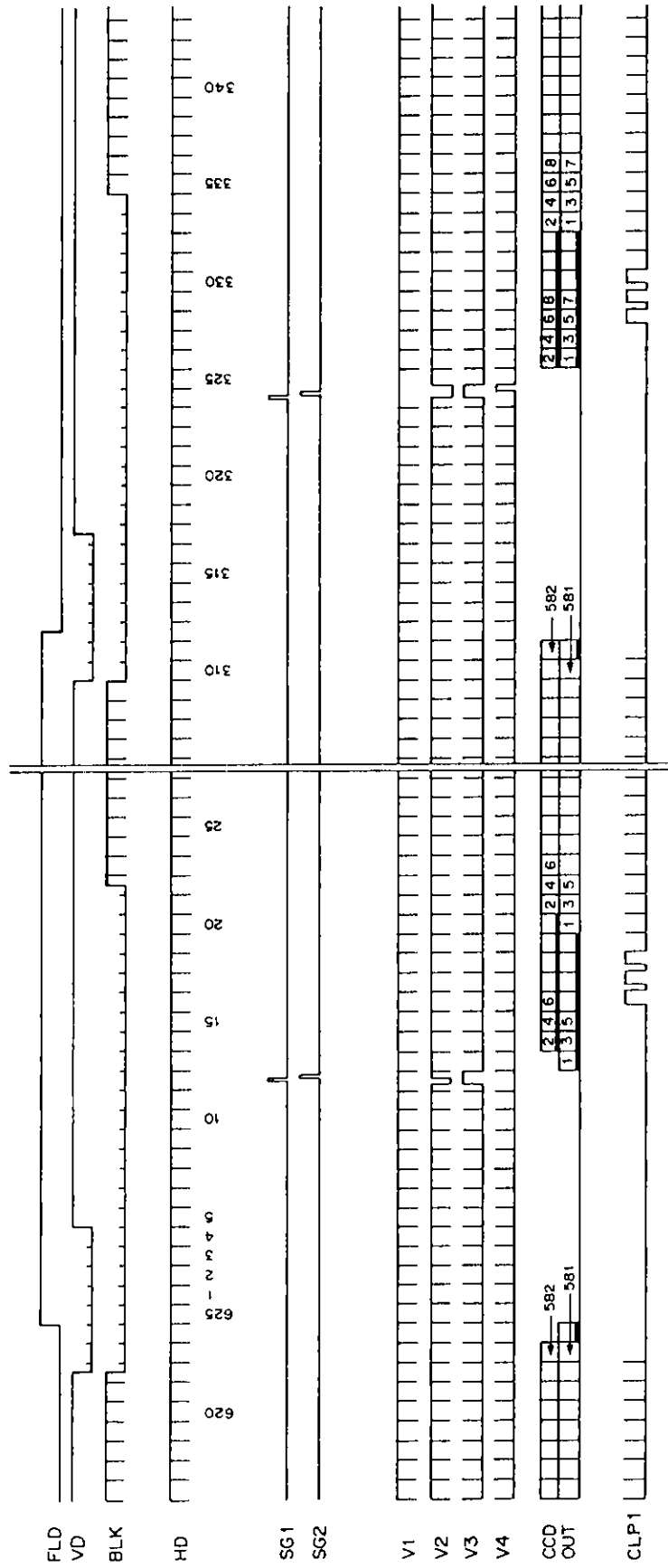


Using Read Out Clock Timing Chart

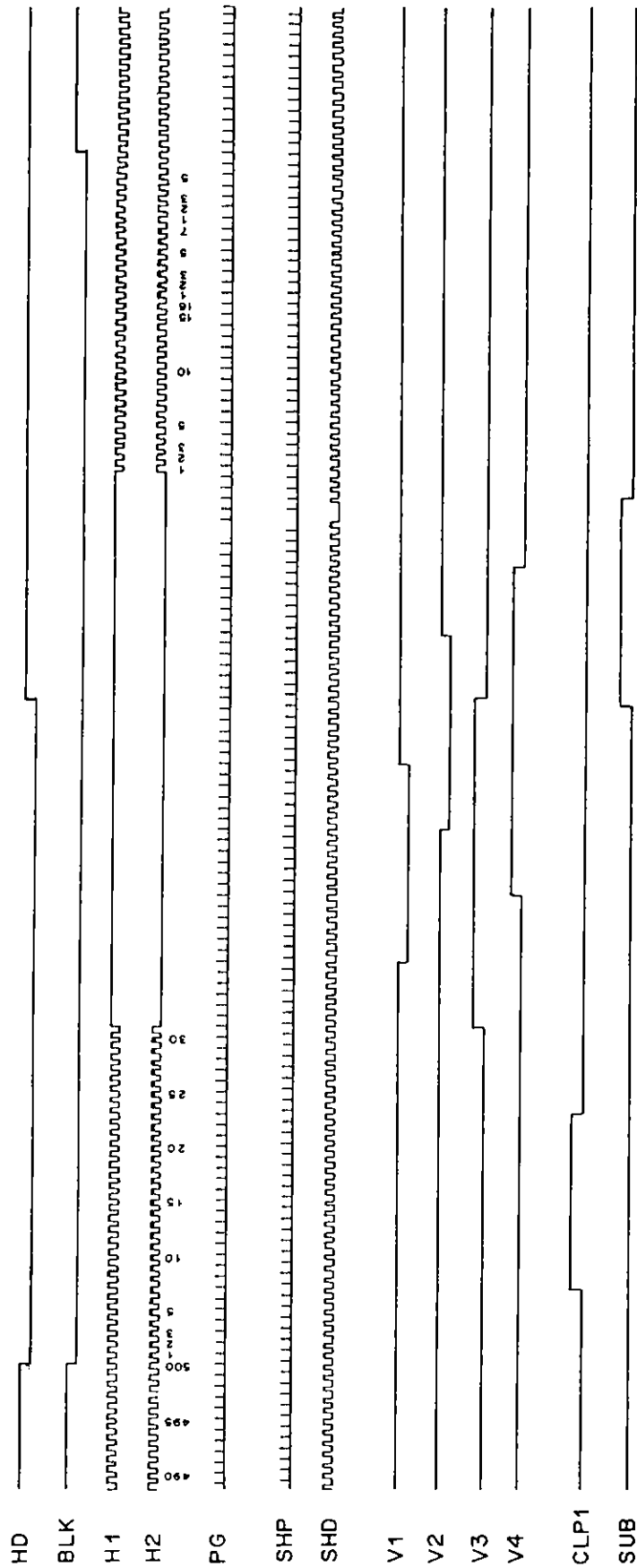


Unit: μ s

Drive Timing Chart (Vertical sync)



Drive Timing Chart (Horizontal sync)



During electronic shutter operation

Handling Instructions

1) Static charge prevention

CCD image sensor are easily damaged by static discharge. Before handling be sure to take the following protective measures.

- a) Either handle bare handed or use non chargeable gloves, clothes or material. Also use conductive shoes.
- b) When handling directly use an earth band.
- c) Install a conductive mat on the floor or working table to prevent the generation of static electricity.
- d) Ionized air is recommended for discharge when handling CCD image sensor.
- e) For the shipment of mounted substrates use boxes treated for the prevention of static charges.

2) Soldering

- a) Make sure the package temperature does not exceed 80°C.
- b) Solder dipping in a mounting furnace causes damage to the glass and other defects. Use a grounded 30W soldering iron and solder each pin in less than 2 seconds. For repairs and remount cool sufficiently.
- c) To dismount an imaging device do not use a solder pult. When using an electric desoldering tool use a thermal controller of the zero cross On/Off type and connect to ground.

3) Dust and dirt protection

- a) Operate in clean environments (around class 1000 will be appropriate).
- b) Do not either touch glass plates by hand or have any object come in contact with glass surfaces. Should dirt stick to a glass surface blow it off with an air blow. (For dirt stuck through static electricity ionized air is recommended)
- c) Clean with a cotton bud and ethyl alcohol if the glass surface is grease stained. Be careful not to scratch the glass.
- d) Keep in case to protect from dust and dirt. To prevent dew condensation, preheat or precool when moving to a room with great temperature differences.
- e) When a protective tape is applied before shipping, just before use remove the tape applied for electrostatic protection. Do not reuse the tape.

4) Do not expose to strong light (sun rays) for long periods.

5) Exposure to high temperatures or humidity will affect the characteristics. Accordingly avoid storage or usage in such conditions.

6) CCD image sensor are precise optical equipment that should not be subject to mechanical shocks.