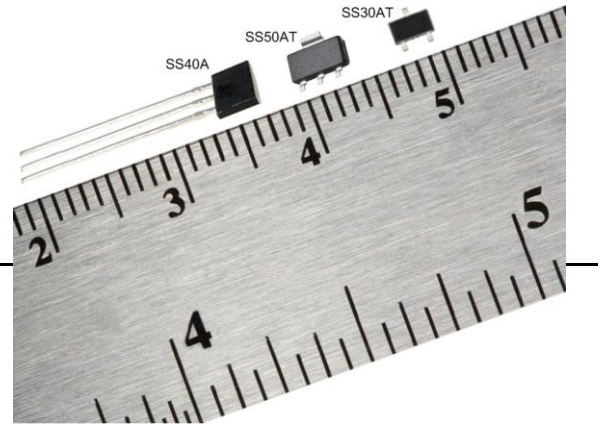


SS30AT/SS40A/SS50AT

Bipolar Hall-effect Magnetic Position Sensors



DESCRIPTION

The SS30AT/SS40A/SS50AT Series sensors are versatile, bipolar, Hall-effect sensors. These sensitive magnetic sensors offer reverse polarity protection and deliver stable output over a -40 °C to 125 °C [-40 °F to 257 °F] temperature range. Operation from any dc supply voltage from 4.5 Vdc to 24.0 Vdc is acceptable.

The SS30AT/SS40A/SS50AT Series sensors build upon Honeywell's popular magnetic position sensors and offer several advantages. These sensors have been designed with the latest technologies to provide reliable, cost-effective solutions to many commercial, computer, medical, and/or consumer applications requiring motor control and RPM sensing.

These products are available in three package styles to suit a variety of applications. The SS40A in the leaded, flat TO-92 style package can be supplied in bulk (1000 pieces per bag) or on tape in an "Ammopack" (fan-fold) format. The SS30AT in the subminiature SOT-23 surface-mount package, and the SS50AT in the small SOT-89B surface-mount package, are both supplied on tape and reel for use in automated pick-and-place equipment.

The surface mount versions are mounted directly on the electrical traces on a printed circuit board (PCB). They are attached by an automatic solder reflow operation which requires no hole, so it may help reduce the cost of the PCB.

FEATURES/BENEFITS

- Subminiature package size (SS30AT) often allows for use in applications with tight PCB space where a compact design is needed
- Small package size (SS40A, SS40AT) allows for more space on PCB
- Sensitive bipolar magnetics respond to alternating north and south poles, often making these products well-suited for speed sensing and RPM measurement
- Robust design with built-in reverse voltage protection simplifies installation and protects device from damage when mounted on PCB
- Thermally balanced integrated circuit provides for stable operation over a full temperature range
- RoHS-compliant materials meet Directive 2002/95/EC

POTENTIAL APPLICATIONS

Transportation:

- Speed and RPM (revolutions per minute) sensing
- Tachometer, counter pickup
- Motor and fan control
- Electric vehicle control
- Convertible roof position

Industrial:

- Speed and RPM (revolutions per minute) sensing
- Tachometer, counter pickup
- Flow-rate sensing
- Brushless dc (direct current) motor commutation
- Motor and fan control
- Robotics control

SS30AT/SS40A/SS50AT

ABSOLUTE MAXIMUM RATINGS*

Parameter	Min.	Typ.	Max.	Unit
Supply voltage	-28	–	28	V
Applied output voltage	-0.5	–	28	V
Output current	–	–	20	mA
Magnetic flux	–	–	No limit	Gauss

*Absolute maximum ratings are the extreme limits the device will withstand without damage to the device. However, the electrical and mechanical characteristics are not guaranteed as the maximum limits (above recommended operating conditions) are approached, nor will the device necessarily operate at absolute maximum ratings.



ELECTRICAL CHARACTERISTICS

At $V_s = 4.5\text{ V}$ to 24 V with 20 mA load with $T_a = -40\text{ °C}$ to 125 °C [-40 °F to 257 °F] unless otherwise noted.

Parameter	Cond.	Min.	Typ.	Max.	Unit
Supply voltage	–	4.5	–	24.0	V
Supply current	25 °C [77 °F]	–	6.8	10.0	mA
Supply current	25 °C [77 °F], $V_s = 4.5\text{ V}$	–	4.4	7.06	mA
Supply current	–	–	–	11.3	mA
Output current	–	–	–	20.0	mA
V_{sat} @ 15 mA	Gauss >170	–	–	0.4	V
Output leakage	Gauss <-170	–	–	10.0	μA
Rise time	25 °C [77 °F]	–	0.5	1.5	μs
Fall time	25 °C [77 °F]	–	0.2	1.5	μs
Response time	25 °C [77 °F]	–	4.0	5.0	μs
Operate	25 °C [77 °F]	–	45	110	Gauss
Operate	0 °C to 85 °C [32 °F to 185 °F]	–	50	130	Gauss
Operate	–	–	55	170	Gauss
Release	25 °C [77 °F]	-110	-45	–	Gauss
Release	-40 °C to 85 °C [-40 °F to 185 °F]	-130	-50	–	Gauss
Release	–	-170	-55	–	Gauss
Differential	–	50	–	–	Gauss
Operating temperature	-40 °C to 125 °C [-40 °F to 257 °F]				
Storage temperature	-55 °C to 165 °C [-67 °F to 329 °F]				

Note: The magnetic field strength (Gauss) required to cause the sensor to change state (operate and release) will be as specified in the magnetic characteristics. To test the sensor against the specified magnetic characteristics, the sensor must be placed in a uniform magnetic field.

NOTICE

Bipolar Hall-effect sensors may have an initial output in either the ON or OFF state if powered up with an applied magnetic field in the differential zone (applied magnetic field > Brp and < Bop). Honeywell recommends allowing 10 μs for output voltage to stabilize after supply voltage has reached 5 V.

Bipolar Hall-Effect Magnetic Position Sensors

WIRING DIAGRAMS

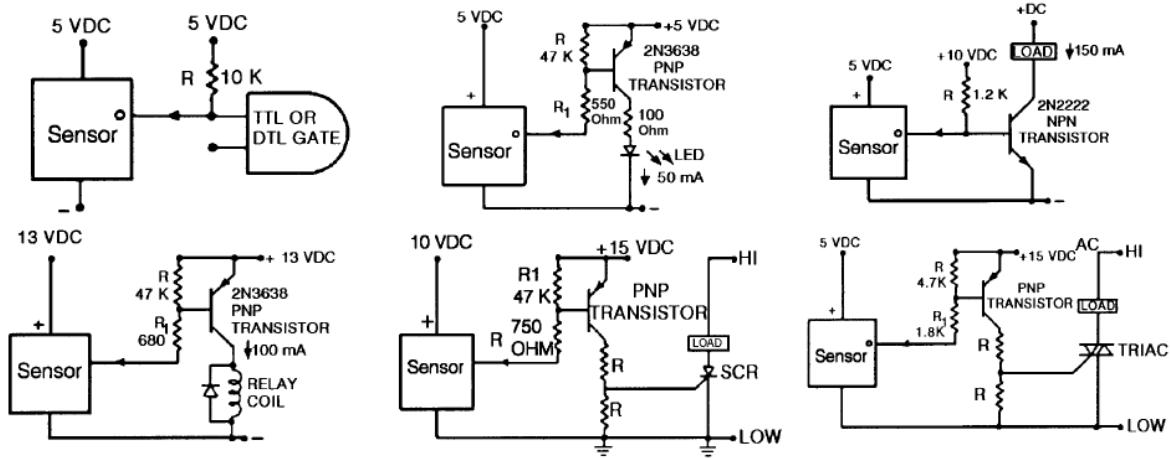


FIGURE 1: SS30AT/SS40A/SS50AT OPERATE AND RELEASE POINTS

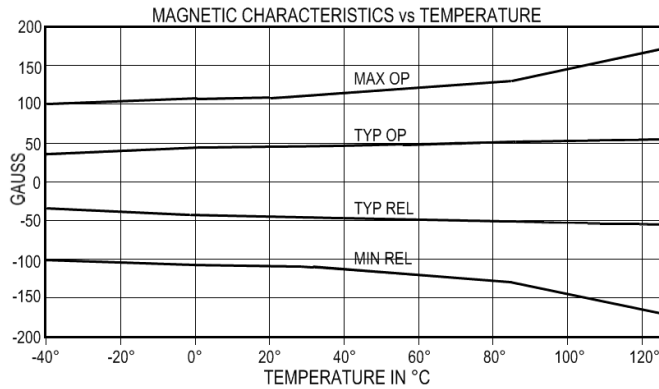
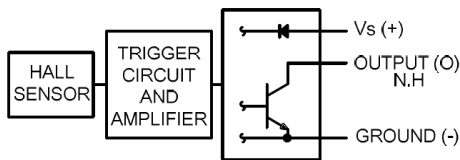
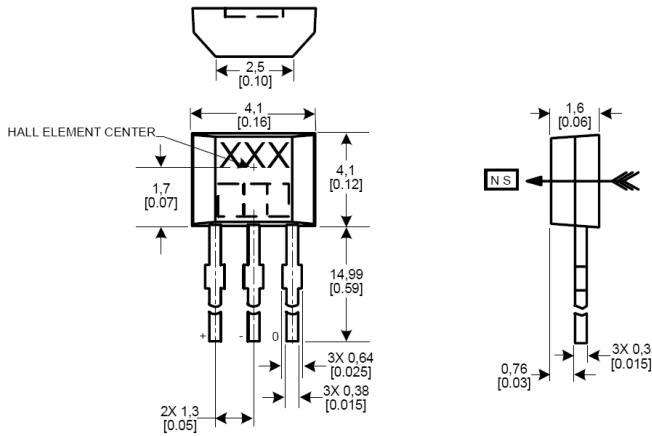


FIGURE 2. CURRENT SINKING OUTPUT BLOCK DIAGRAM

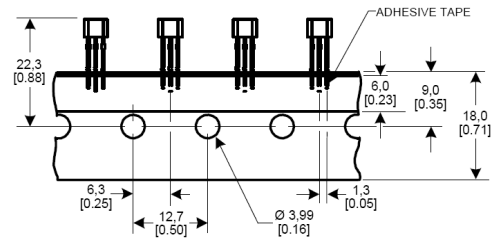


SS30AT/SS40A/SS50AT

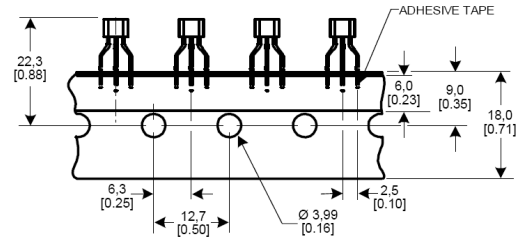
SS40A SERIES MOUNTING DIMENSIONS (for reference only) mm/[in]



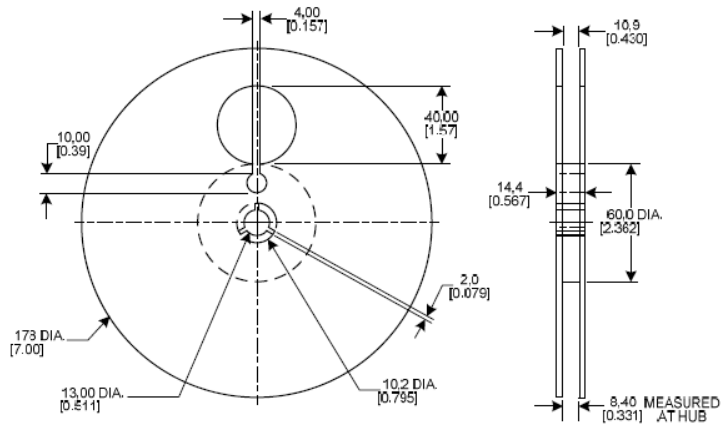
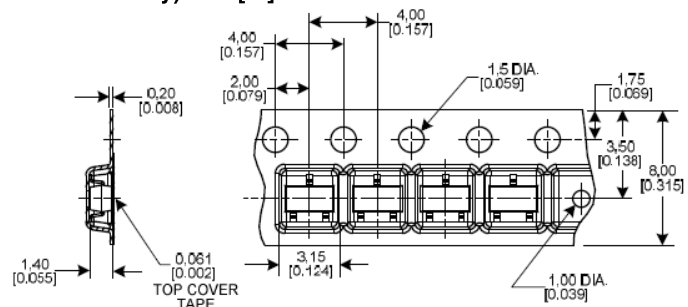
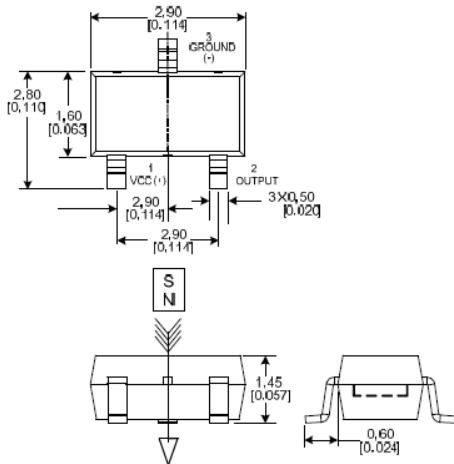
TAPE DIMENSIONS FOR STYLE T2



TAPE DIMENSIONS FOR STYLE T3

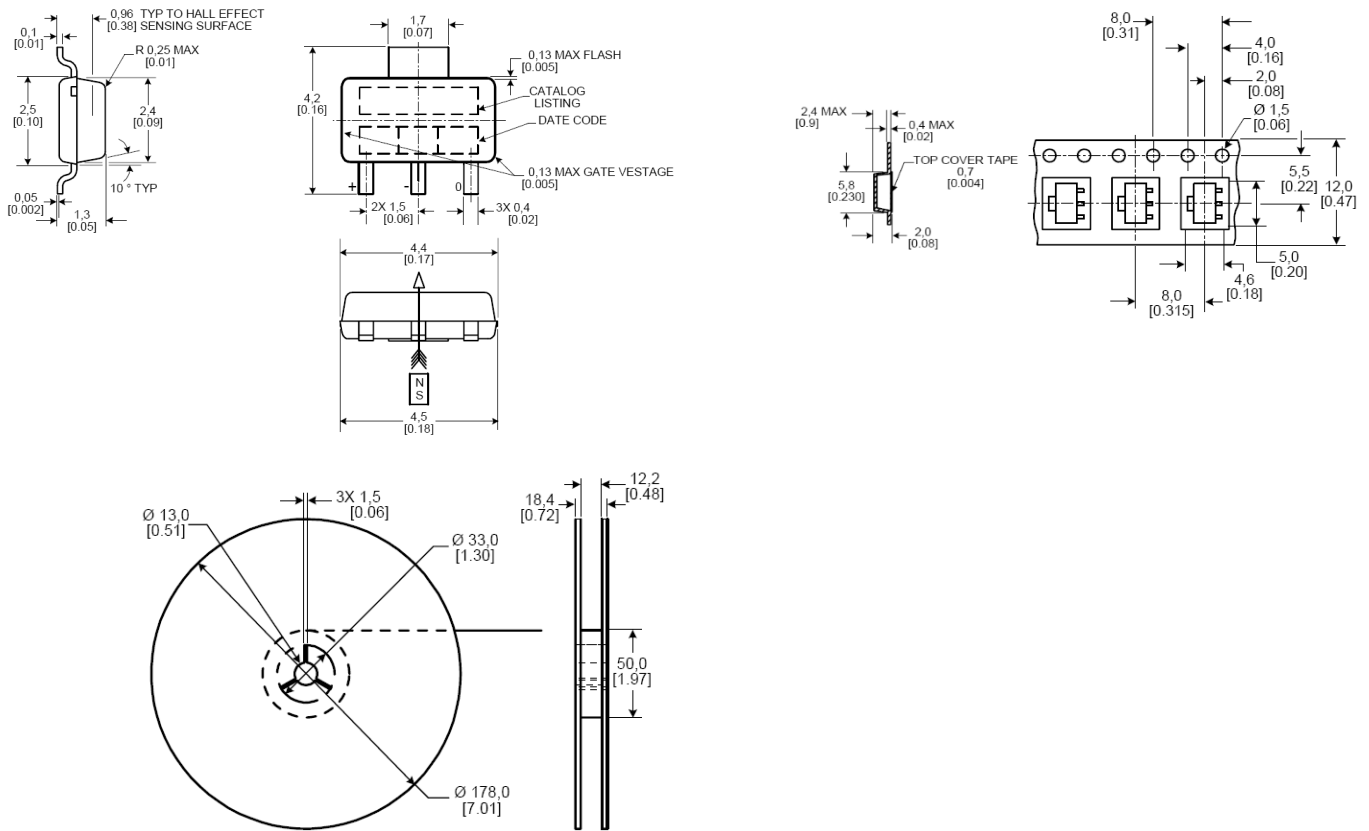


SS30AT SERIES MOUNTING DIMENSIONS (for reference only) mm/[in]



Bipolar Hall-Effect Magnetic Position Sensors

SS50AT SERIES MOUNTING DIMENSIONS (for reference only) mm/[in]



Order Guide.

SS40A	Bipolar, Hall-effect sensor, radial lead IC package
SS40A-F	Bipolar, Hall-effect sensor, radial lead IC package with formed leads on 2,54 mm [0.100 in] centers
SS40A-T2	Bipolar, Hall-effect sensor, radial lead IC package tape-in-box (ammopack) version with formed leads
SS40A-T3	Bipolar, Hall-effect sensor, radial lead IC package tape-in-box (ammopack) version with straight leads
SS30AT	Bipolar, Hall-effect sensor, SOT-23 style surface-mount package, on tape and reel
SS50AT	Bipolar, Hall-effect sensor, SOT-89B style surface-mount package, on tape and reel

WARNING

PERSONAL INJURY

DO NOT USE these products as safety or emergency stop devices or in any other application where failure of the product could result in personal injury.

Failure to comply with these instructions could result in death or serious injury.

WARRANTY/REMEDY

Honeywell warrants goods of its manufacture as being free of defective materials and faulty workmanship. Honeywell's standard product warranty applies unless agreed to otherwise by Honeywell in writing; please refer to your order acknowledgement or consult your local sales office for specific warranty details. If warranted goods are returned to Honeywell during the period of coverage, Honeywell will repair or replace, at its option, without charge those items it finds defective. **The foregoing is buyer's sole remedy and is in lieu of all other warranties, expressed or implied, including those of merchantability and fitness for a particular purpose. In no event shall Honeywell be liable for consequential, special, or indirect damages.**

While we provide application assistance personally, through our literature and the Honeywell web site, it is up to the customer to determine the suitability of the product in the application.

Specifications may change without notice. The information we supply is believed to be accurate and reliable as of this printing. However, we assume no responsibility for its use.

WARNING

MISUSE OF DOCUMENTATION

- The information presented in this product sheet is for reference only. Do not use this document as a product installation guide.
- Complete installation, operation, and maintenance information is provided in the instructions supplied with each product.

Failure to comply with these instructions could result in death or serious injury.

SALES AND SERVICE

Honeywell serves its customers through a worldwide network of sales offices, representatives and distributors. For application assistance, current specifications, pricing or name of the nearest Authorized Distributor, contact your local sales office or:

E-mail: info.sc@honeywell.com

Internet: www.honeywell.com/sensing

Phone and Fax:

Asia Pacific	+65 6355-2828
	+65 6445-3033 Fax
Europe	+44 (0) 1698 481481
	+44 (0) 1698 481676 Fax
Latin America	+1-305-805-8188
	+1-305-883-8257 Fax
USA/Canada	+1-800-537-6945
	+1-815-235-6847
	+1-815-235-6545 Fax

Sensing and Control
Honeywell
11 West Spring Street
Freeport, Illinois 61032
www.honeywell.com/sensing

005906-1-EN IL50 GLO Printed in USA
July 2009
© 2009 Honeywell International Inc.

Honeywell

Mouser Electronics

Authorized Distributor

Click to View Pricing, Inventory, Delivery & Lifecycle Information:

[Honeywell:](#)

[SS50AT](#) [SS30AT](#)