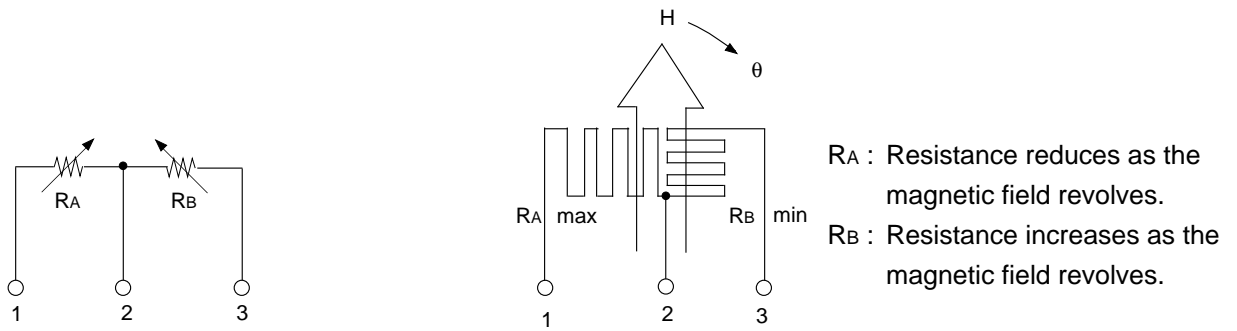
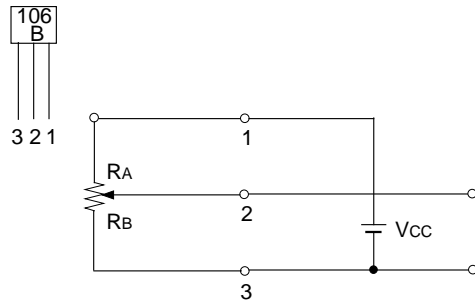


Equivalent Circuit

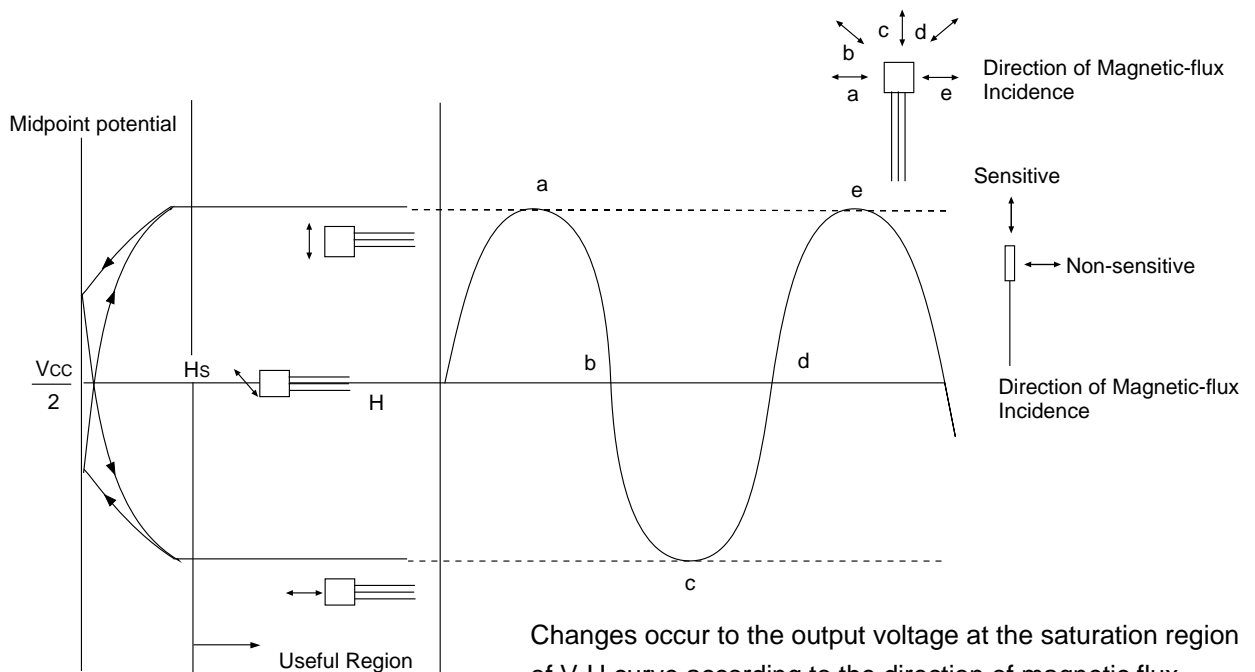


Introduction

1. Power supplying pin output pin

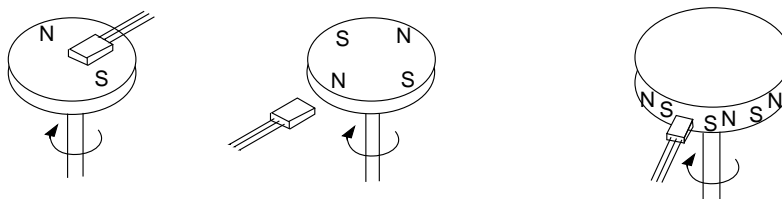


2. Sensitive direction vs. Midpoint potential

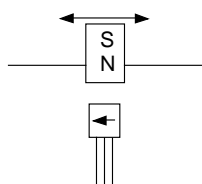


Applications

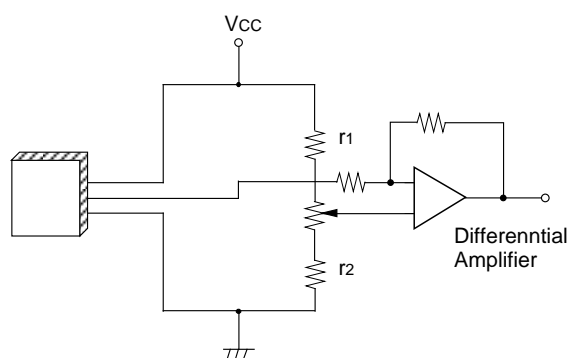
1. Detection of revolution



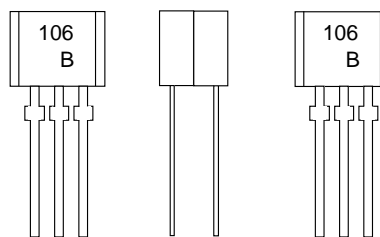
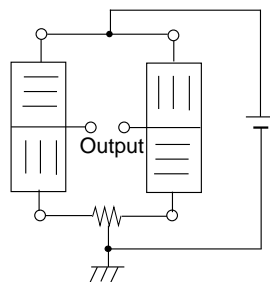
2. Position detecting



Circuits



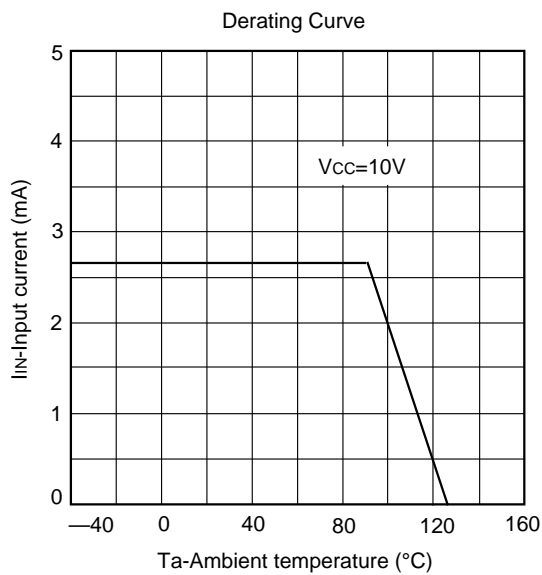
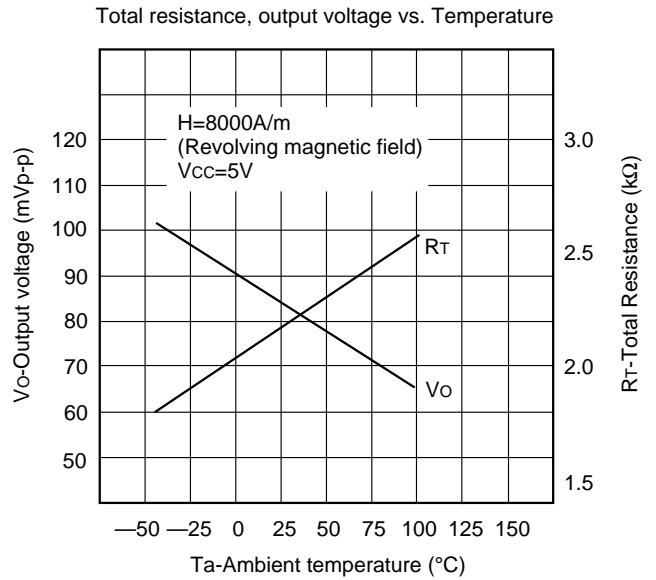
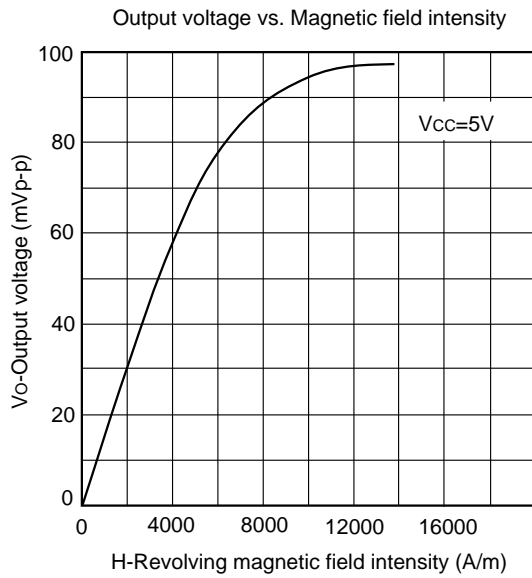
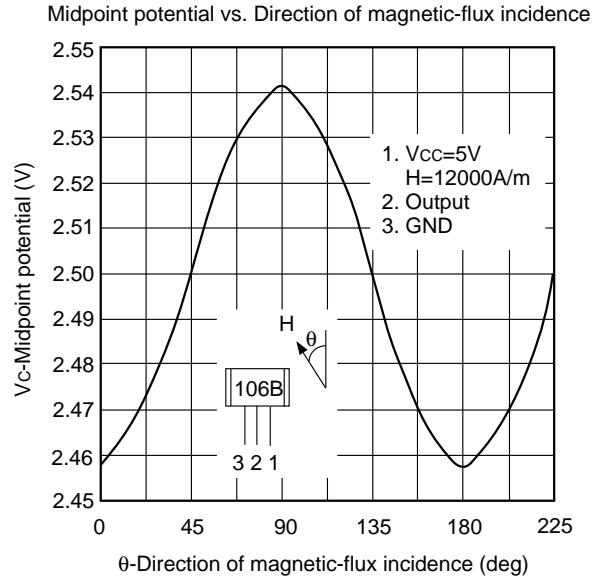
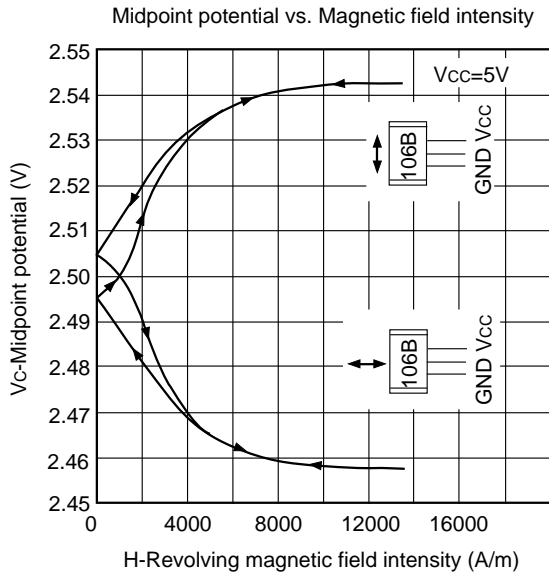
3. Bridge Circuits



By coupling 2 pieces back to back and sticking them together in a gridge, the output voltage is doubled.

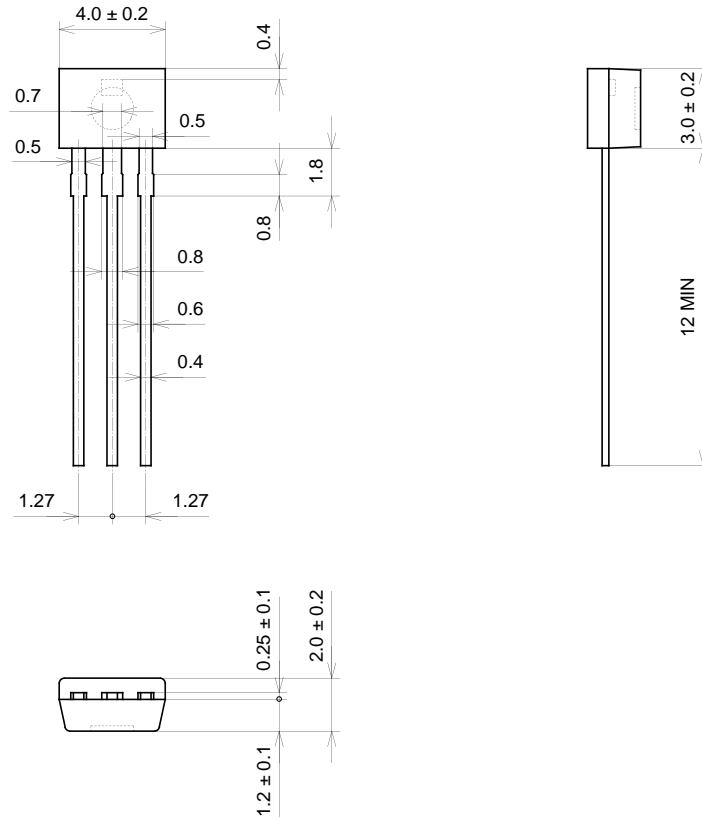
Notes on Application

- Execute the solder to the lead line within 10 seconds at a temperature below 260 °
- To Fix the ELEMENTS : When glue is used, DO NOT apply mechanical stress to the elements.



Package Outline Unit : mm

M-110



SONY CODE	M-110
EIAJ CODE	_____
JEDEC CODE	_____

PACKAGE WEIGHT	0.09g
----------------	-------