

# ATS645LSH

## Preliminary – Subject to Change

PRELIMINARY DATASHEET  
(subject to change without notice)

## True Zero Speed Miniature Gear Tooth Sensor

The ATS645LSH is an optimized Hall effect sensing integrated circuit and magnet combination that provides a user-friendly solution for true zero-speed digital gear-tooth sensing in two-wire applications. The sensor consists of a single-shot molded plastic package that includes a samarium cobalt magnet, a pole piece, and a Hall effect IC that has been optimized to the magnetic circuit. This small package can be easily assembled and used in conjunction with a wide variety of gear shapes and sizes.

The integrated circuit incorporates a dual element Hall effect sensor and signal processing that switches in response to differential magnetic signals created by ferrous gear teeth. The circuitry contains a sophisticated digital circuit to eliminate magnet and system offsets and to achieve true zero speed operation (ref U.S. Patent 5,917,320). A-D and D-A converters are used to adjust the device gain at power up and to allow air gap independent switching.

The regulated current output is configured for two wire applications and the sensor is ideally suited for obtaining speed and duty cycle in ABS and transmission application gear-tooth-based configurations.



Pin 1: Supply  
Pin 2: No connection  
Pin 3: Test pin  
Pin 4: Ground

### ABSOLUTE MAXIMUM RATINGS

Supply Voltage, $V_{CC}$ . . . . .	26.5 V*
Reverse Supply Voltage, $V_R$ . . . . .	-18 V
Operating Temperature Range, $T_A$ . . . . .	-40 °C to 150 °C*
Storage Temperature, $T_S$ . . . . .	170 °C
Package Power Rating, $\theta_{JA}$ . . . . .	126 °C/W
Maximum Junction Temperature, $T_{Jmax}$ . . . . .	165 °C

\* Operation at increased supply voltages with external circuitry is described in the Applications Information.

### FEATURES

- ♦ Fully optimized differential digital gear tooth sensor
- ♦ Single chip sensing IC for high reliability
- ♦ Internal current regulator for 2 wire operation
- ♦ Small mechanical size (8 mm dia x 5.5 mm length)
- ♦ Air gap independent switch points
- ♦ Digital output representing gear profile
- ♦ Precise duty cycle signal with temperature
- ♦ Large operating air gaps
- ♦ Automatic Gain Control (AGC)
- ♦ Automatic Offset Adjustment circuit
- ♦ True zero speed operation
- ♦ Under-voltage lockout
- ♦ Wide operating voltage range
- ♦ Defined power-on state

# ATS645LSH – Preliminary – Allegro Confidential TRUE ZERO SPEED DIFFERENTIAL PEAK DETECTOR

## CHARACTERISTICS

Valid over operating temperature range and Supply Voltage within specification unless otherwise noted.

Characteristics	Symbol	Test Conditions	Limits			
			Min.	Typ.	Max.	Units
<b>ELECTRICAL CHARACTERISTICS</b>						
Supply Voltage	$V_{CC}$	Operating, $T_J < 165^\circ\text{C}$	4.0		24	V
Under Voltage Lockout	$V_{CC(UV)}$	$V_{CC} 0 \rightarrow 5\text{ V}$	-	-	$<V_{CCMin}$	V
<sup>1</sup> Supply Zener Clamp Voltage	$V_Z$	$I_{ZT} = 1\text{ mA}$	28	32	-	V
Max Zener Pulse Current	$I_Z$	$t=20\text{mS}$ Pulse Mode	-	-	50	mA
Supply Zener Resistance	$R_Z$		-	50	-	$\Omega$
Supply Current ATS645LSH – I1	$I_{CC}$	Low Current State: $I_{CCLow}$	4.0	6	8.0	mA
		High Current State: $I_{CCHigh}$	12.0	14.0	16.0	mA
Supply Current ATS645LSH – I2	$I_{CC}$	Low Current State: $I_{CCLow}$	5.9	7	8.4	mA
		High Current State: $I_{CCHigh}$	11.8	14.0	16.8	mA
<b>POWER-ON STATE CHARACTERISTICS</b>						
Power-On State	$S_{PO}$	$V_{CC} 0 \rightarrow 5\text{ V}$	-	$I_{CCHigh}$	-	-
<sup>2</sup> Power-On Time	$t_{on}$	Gear speed $< 100\text{ rpm}$	-	1	2	ms
<b>OUTPUT STAGE</b>						
Output Current Slew Rate	$I_R$	$I_{CCHigh} \rightarrow I_{CCLow}, I_{CCLow} \rightarrow I_{CCHigh},$ $R_S = 100\ \Omega, C_S = 10\text{ pF}, 10\text{ to }90\%$		10		mA/ $\mu\text{s}$

<sup>1</sup> The zener is tested using a pulse method and is designed for transient protection, continuous operation may destroy the device.

<sup>2</sup> Power On Time is the time required to complete internal offset adjust. It does not include automatic gain control, which requires three tooth valley transitions to complete and is therefore RPM dependent.

# ATS645LSH – Preliminary – Allegro Confidential TRUE ZERO SPEED DIFFERENTIAL PEAK DETECTOR

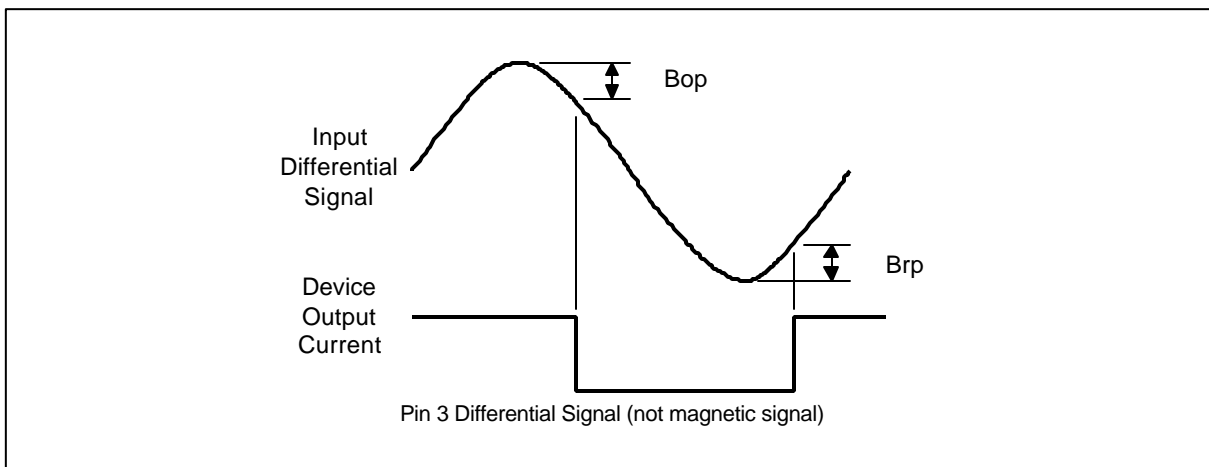
Operating Characteristics: Valid with Reference Target unless otherwise specified

Characteristics	Symbol	Test Conditions	Limits			Units
			Min.	Typ.	Max.	
<b>SWITCH POINT CHARACTERISTICS</b>						
Rotation Speed	$S_{max}$	Using Reference Target over Operating Air Gap Range	0		8K	RPM
Analog Signal Bandwidth	f-3db	-3dB Point	20	40		KHz
<sup>1</sup> Operate Point	Bop	$I_{CC_{High}} \rightarrow I_{CC_{Low}}$ Positive Peak referenced, $AG < AG_{max}$	-	100	150	mV
<sup>1</sup> Release Point	Brp	$I_{CC_{Low}} \rightarrow I_{CC_{High}}$ Negative Peak referenced, $AG < AG_{max}$	-	100	150	mV

<b>Calibration</b>						
Initial Calibration	$C_i$	Number of Rising Mechanical Edges for Accurate Edge Detection			3	Edges

<b>DAC Characteristics</b>						
Allowable User Induced Differential Offset		Output switching only; may not meet data sheet specifications	-60		60	G

## SWITCH POINT DETAIL



<sup>1</sup> Bop and Brp should be adjustable with metal mask changes, limits max air gap but improves vibration immunity.

# ATS645LSH – Preliminary – Allegro Confidential TRUE ZERO SPEED DIFFERENTIAL PEAK DETECTOR

## Operating Characteristics:

Valid only if magnetic offset is within the Dynamic Offset Compensation DAC Range as specified above

Characteristics	Symbol	Test Conditions	Limits			Units
			Min.	Typ.	Max.	
<b>OPERATING CHARACTERISTICS: Using Reference Target and Valid Over Operating Temperature Range</b>						
<sup>1</sup> Operational Air Gap Range	Op <sub>AG</sub>	Duty cycle within specification	0.5		2.75	mm
Switching Air Gap Range	Op <sub>MaxAG</sub>	Output Switching: Duty cycle Not in Specification	3	-	-	mm
Duty Cycle Variation	DC	Wobble < 0.5mm Typical value at 1.5mm air gap Valid over operating air gap range	37	53	57	%
<sup>2</sup> Operating Signal Range	Sig	Duty cycle within Specification Wobble < 0.5mm	30	-	1000	G
<sup>3</sup> Minimum Operating Signal	Sig <sub>Min</sub>	Output Switching: Duty Cycle Not in Specification	20	-	-	G

<sup>1</sup> Operating air gap is dependent on the available magnetic field. The available field is target geometry and material dependent and should be independently characterized. The field available from the reference target is given in the reference gear parameter section of the datasheet

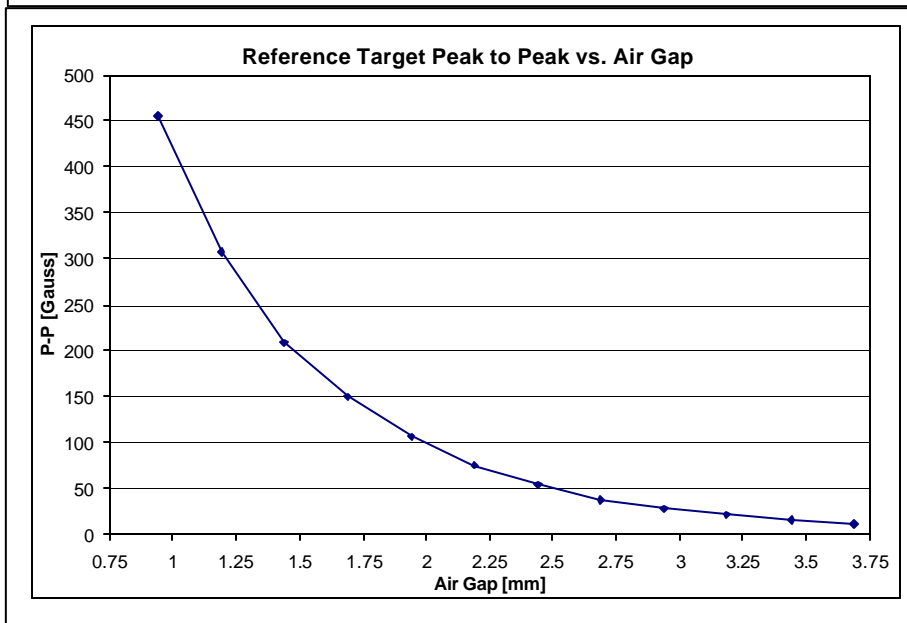
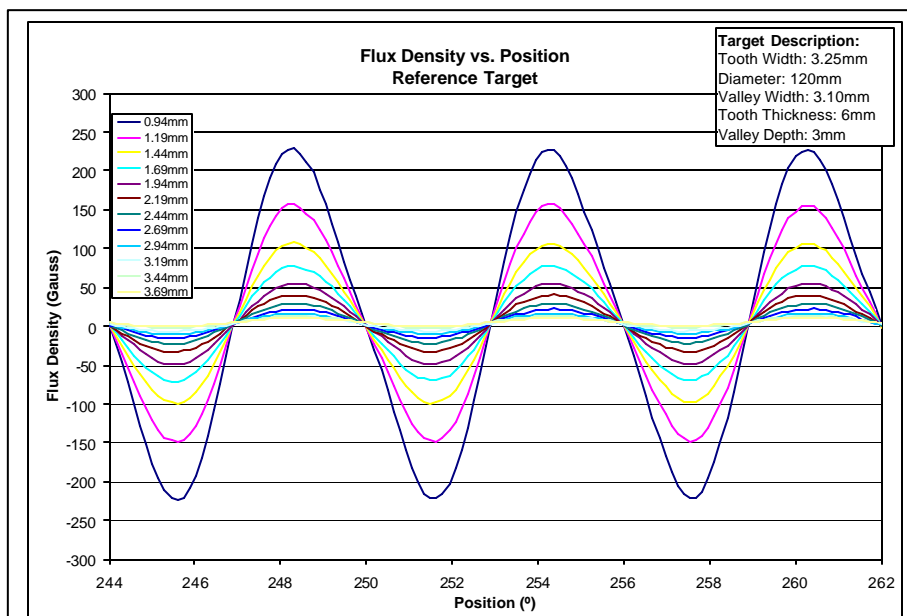
<sup>2</sup> In order to remain in specification the magnetic signal must be larger than the minimum value specified, this includes the effect of target wobble.

<sup>3</sup> Duty cycle is not guaranteed to be in specification. Reference the Duty Cycle vs. Air Gap Over Temperature graph in the typical operating characteristics section of this document.

# ATS645LSH – Preliminary – Allegro Confidential TRUE ZERO SPEED DIFFERENTIAL PEAK DETECTOR

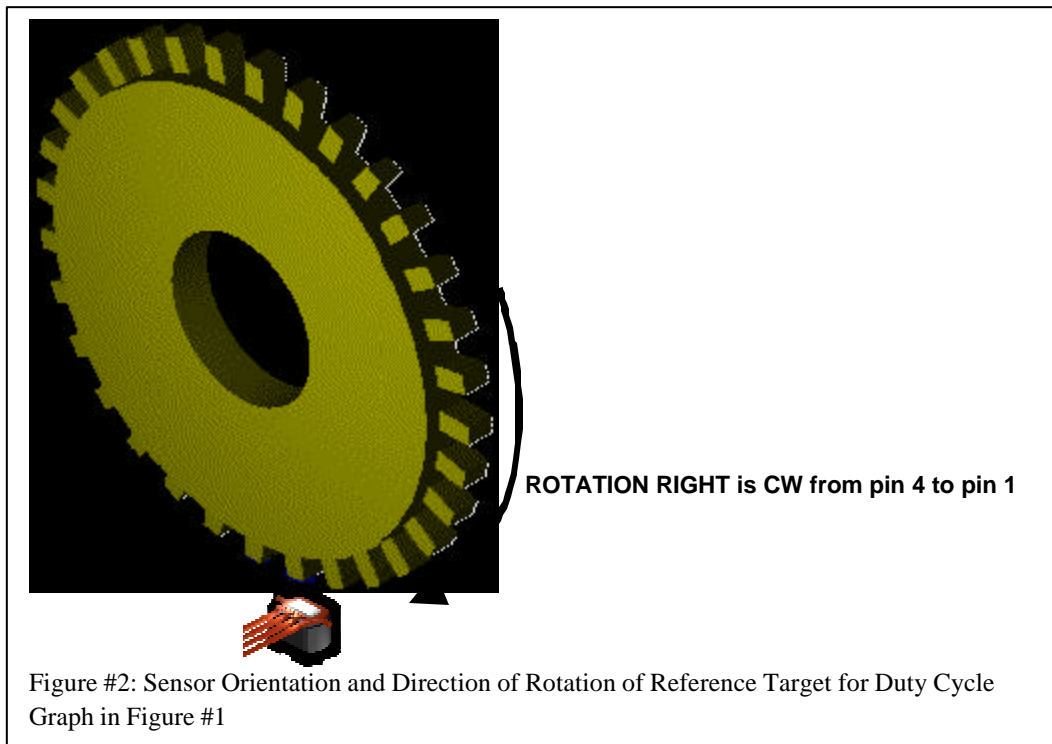
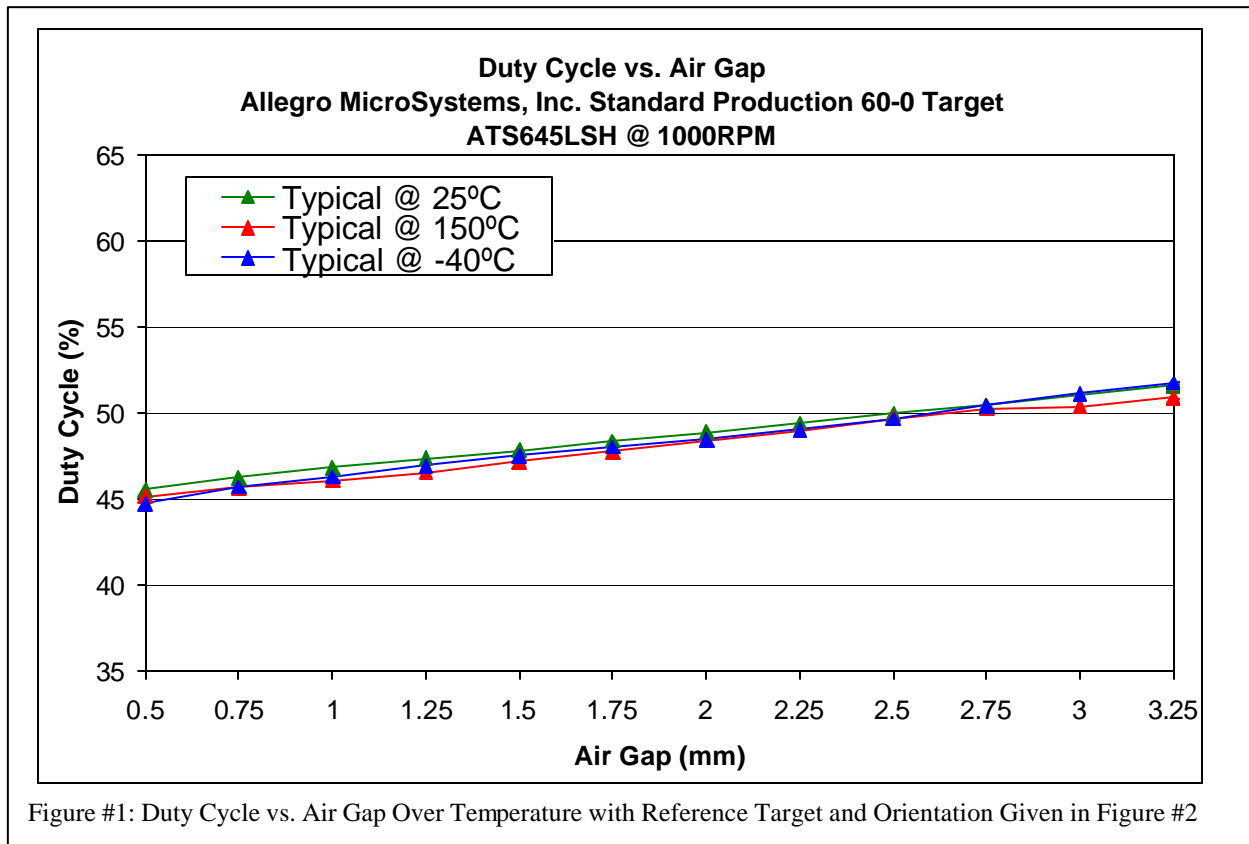
## Reference Gear Parameters

REFERENCE GEAR DIMENSIONS (60-0)						
Diameter	$G_d$		-	120	-	mm
Thickness	$G_t$		-	6	-	mm
Tooth Width	$T_w$		-	3	-	mm
Valley Width	$V_w$		-	3	-	mm
Valley Depth	$V_d$		-	3	-	mm
Material		Low Carbon Steel				



# ATS645LSH – Preliminary – Allegro Confidential TRUE ZERO SPEED DIFFERENTIAL PEAK DETECTOR

Typical Operating Characteristics: Duty Cycle vs. Air Gap Over Temperature



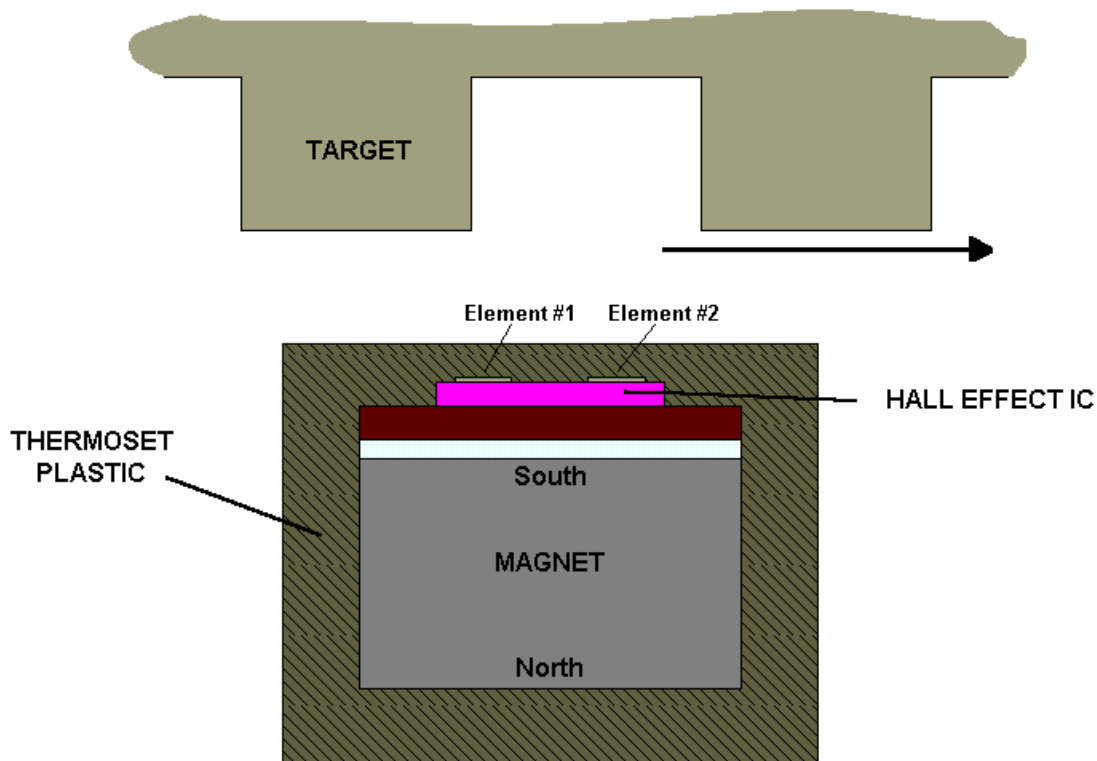
## SENSOR DESCRIPTION

### Assembly Description:

The ATS645LSH true zero speed gear tooth sensor is a Hall IC/magnet configuration that is fully optimized to provide digital detection of gear tooth edges. This sensor is integrally molded into a plastic body that has been optimized for size, ease of assembly, and manufacturability. High operating temperature materials are used in all aspects of construction.

### Sensing Technology:

The gear tooth sensor sub-assembly contains a single-chip differential Hall effect sensor IC, a Samarium Cobalt magnet, and a flat ferrous pole piece. The Hall IC consists of 2 Hall elements spaced 1.5 mm apart that measure the magnetic gradient created by the passing of a ferrous object. The two elements measure the magnetic gradient and convert it to an analog voltage that is then processed to provide a digital output signal.



# ATS645LSH – Preliminary – Allegro Confidential TRUE ZERO SPEED DIFFERENTIAL PEAK DETECTOR

## Transient Performance per ISO 7637-1

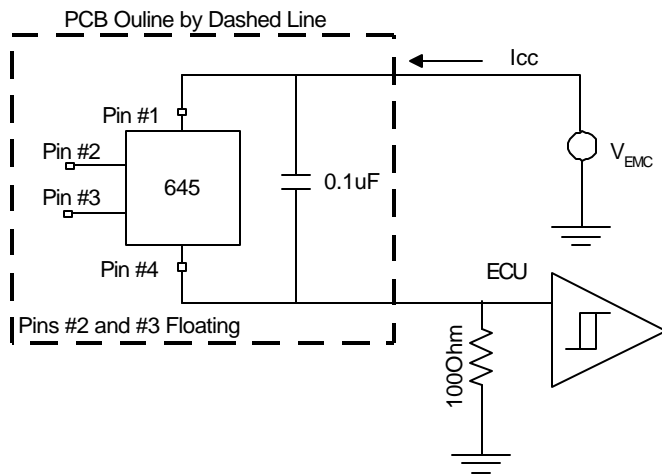
at  $T_A = 23 \pm 5^\circ\text{C}$

(Tested at Allegro test facility – for engineering reference only)

Pulse No.	Test	Performance Class at Test Level			
		I	II	III	IV
1	Inductive turn off (negative)	-	-	-	C
2	Inductive turn off (positive)	-	-	-	A
3a	Capacitive/inductive coupling (neg)	-	-	-	A
3b	Capacitive/inductive coupling (pos)	-	-	-	A
4	Reverse battery	-	-	-	A
5	Load dump	A	C	C	E
6	Ignition coil disconnect	-	-	C	E
7	Field decay (negative)	-	-	-	C

$U_A = 13.5\text{V}$  for pulses 1, 2, 3a, 3b, 5, 6, 7 and  $12\text{V}$  for pulse 4.

### Test Circuit #1



**Transient & EMC test circuit**

Power supply voltage transients, or device output short circuits, may be caused by faulty connectors, crimped wiring harnesses, or service errors. The prevent catastrophic failure, internal protection against over-voltage, reverse voltage, and output overloads have been incorporated to meet the automotive 12 volt system protection requirements of ISO DP7637/1. A series-blocking diode or current-limiting resistor is required in order to survive pulse number six.

### Performance Class Definitions

(for transient performance and EMC performance)

**A** – All functions of a device perform as designed during and after the exposure.

**B** – All functions of a device perform as designed during exposure; however, one or more of them may go beyond the specified limit tolerance. All functions return automatically to within normal limits after exposure is removed. Memory must remain Class A.

**C** – One or more functions of the device do not perform as designed during exposure but return automatically to normal operation after exposure is removed.

**D** – One or more functions of the device do not perform as designed during exposure and do not return to normal operation until exposure is removed and the device is reset by simple “operator” action.

**E** – One or more functions of the device do not perform as designed during and after the exposure and cannot be returned to proper operation without repairing or replacing the device.



# ATS645LSH – Preliminary – Allegro Confidential TRUE ZERO SPEED DIFFERENTIAL PEAK DETECTOR

## ELECTROMAGNETIC COMPATIBILITY (EMC) PERFORMANCE

at  $T_A = 23 \pm 5^\circ\text{C}$

(Tested at Allegro test facility – for engineering reference only)

### TEM Cell Performance per ISO 11452-3

Test severity level	Frequency Band (MHz)	Performance Class at Test Level			
		I	II	III	IV
I = 50 V/m	F1 (0.01 to 10)	–	–	–	A
II = 100 V/m	F2 (0 to 30)	–	–	–	A
III = 150 V/m	F3 (30 to 80)	–	–	–	A
IV = 200 V/m	F4 (80 to 200)	–	A	B	B

### BCI per ISO 11452-4

Test severity level	Frequency Band (MHz)	Performance Class at Test Level			
		I	II	III	IV
I = 25 mA	F1 (1 to 10)	–	–	–	A
II = 50 mA	F2 (10 to 30)	–	–	–	A
III = 75 mA	F3 (30 to 80)	–	–	–	A
IV = 100 mA	F4 (80 to 200)	–	–	–	A
	F5 (200 to 400)	–	–	–	A

### Direct RF per ISO 11452-7

Test severity level	Frequency Band (MHz)	Performance Class at Test Level				
		I	II	III	IV	V
I = 100 mW	F1 (1 to 10)					
II = 200 mW	F2 (10 to 30)					
III = 300 mW	F3 (30 to 80)					
IV = 400 mW	F4 (80 to 200)					
V = 500 mW	F5 (200 to 400)					

TBD

ATS645LSH – Preliminary – Allegro Confidential  
TRUE ZERO SPEED DIFFERENTIAL PEAK DETECTOR

**MECHANICAL INFORMATION**

Component	Material	Function	Value
Sensor Package Material	Thermoset Epoxy	Max. Temperature	170°C <sup>1</sup>
Leads	Copper, 0.016" dia, 0.050" spacing		
Lead Coating	Solder, Tin / Lead 90/10 <sup>2</sup>		

<sup>1</sup> Temperature excursions of up to 225°C for 2 minutes or less are permitted.

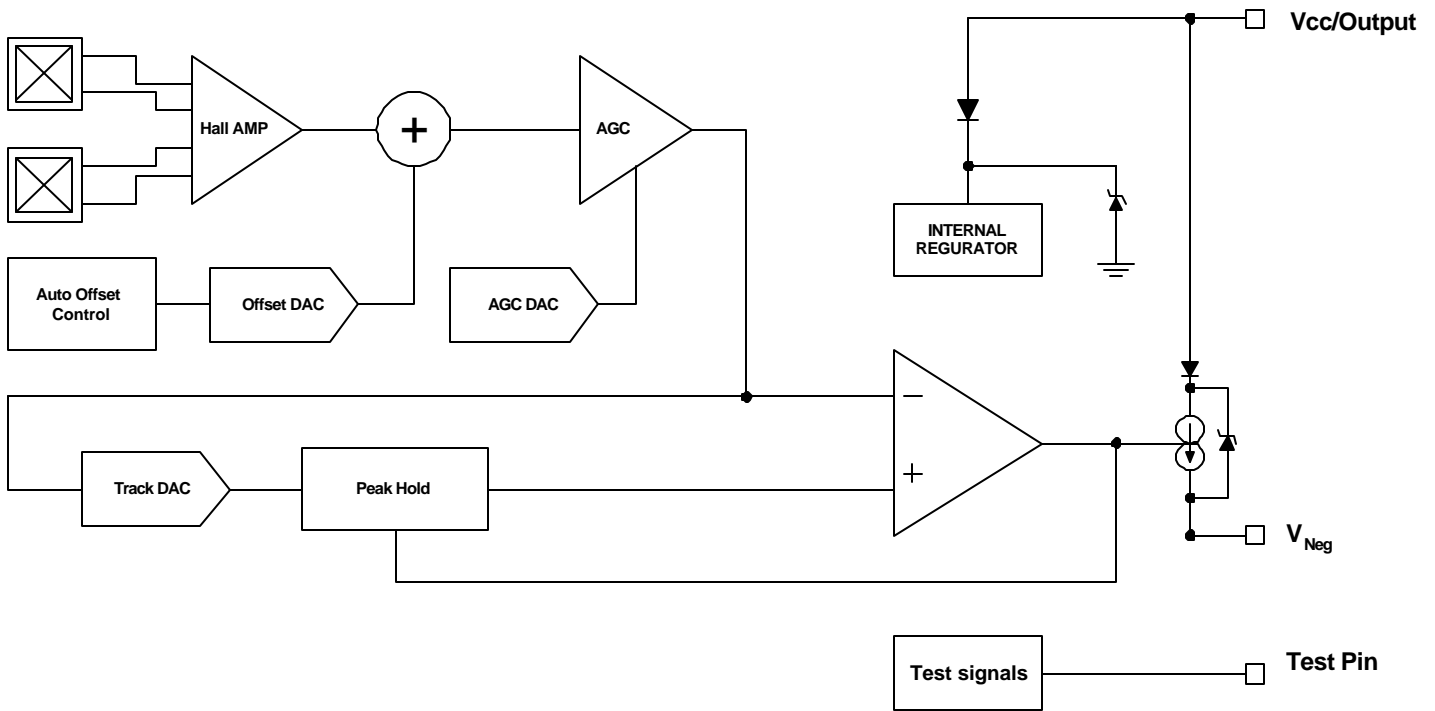
<sup>2</sup> Industry accepted soldering techniques are acceptable for this sub-assembly as long as the indicated maximum temperatures for each component are not exceeded.

**DEVICE QUALIFICATION PROGRAM**

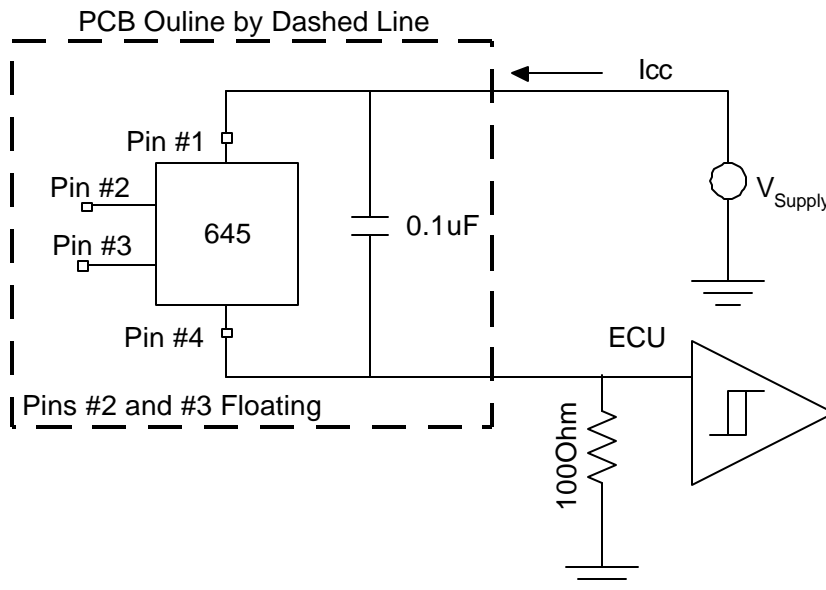
Test Name	Test Conditions	Test Length	# of Lots	Sample / lot	Comments
High Temperature Operating Life	AEC-Q100 #2 (JA108) Ta = 150°C, Tj = 165°C	408 hrs	1	77	
High Temperature Bake	AEC-Q100 #3 (JA103) Ta = 170°C	1000 hrs	1	77	
Temperature Humidity Bias	AEC-Q100 #5 (JA101) 85°C/85%RH	1008 hrs	1	77	
Autoclave	AEC-Q100 #6 (JA102)	96 hrs	1	77	
Temperature Cycling	AEC-Q100 #7(JA104)	500 cycles	1	77	-65°C to +160°C, 30 sec. transition, 30 minute dwell
ESD	AEC-Q100 #20 (AEC-Q100-002, AEC-Q100-003)	-	1	3/model/step	Passes ±6kV all pin combinations: Human Body Model
Early Life Failure Rate	AEC-Q100 #25 (AEC-Q100-008)	150°C/24 hrs	1	800	

# ATS645LSH – Preliminary – Allegro Confidential TRUE ZERO SPEED DIFFERENTIAL PEAK DETECTOR

Functional block diagram



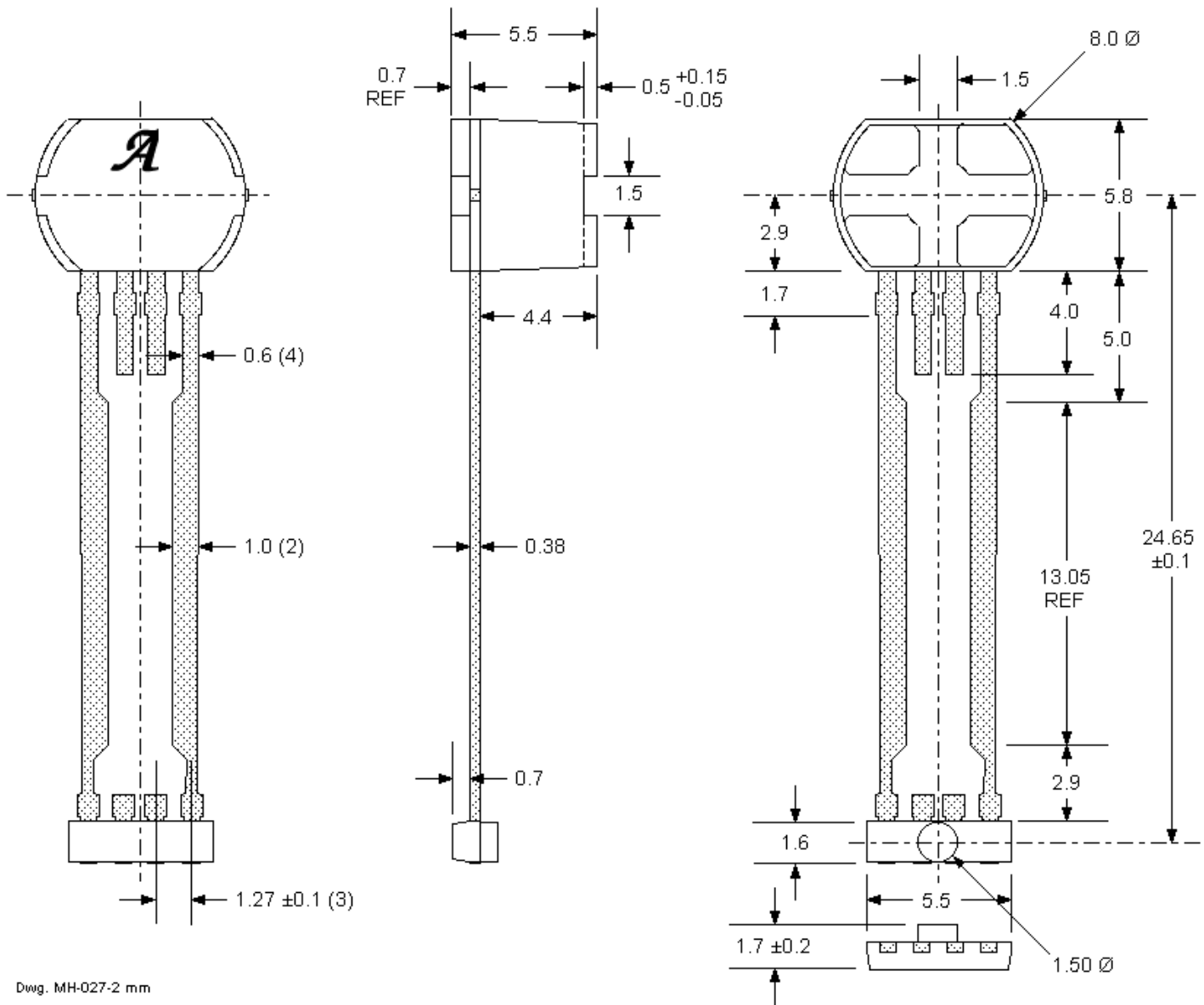
## Typical Application Circuit



ATS645LSH – Preliminary – Allegro Confidential  
 TRUE ZERO SPEED DIFFERENTIAL PEAK DETECTOR

**SENSOR PACKAGE**

LSH PACKAGE  
 REFERENCE DIMENSIONS ONLY



Dwg. MH-027-2 mm