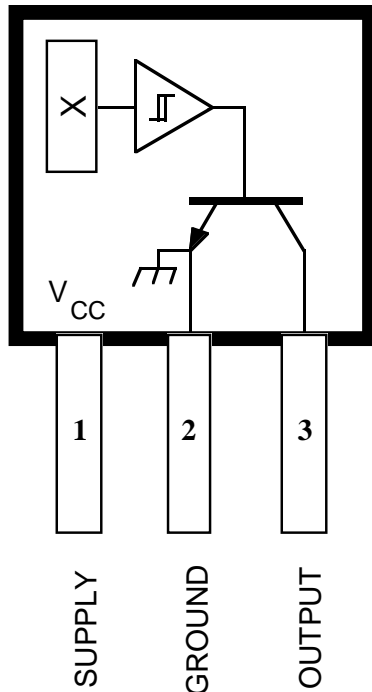


# 3132 AND 3133

## ULTRA-SENSITIVE BIPOLAR HALL-EFFECT SWITCHES



Dwg. PH-003A

Pinning is shown viewed from branded side.

### ABSOLUTE MAXIMUM RATINGS

Supply Voltage, $V_{CC}$ .....	25 V
Reverse Battery Voltage, $V_{RCC}$ .....	-35 V
Magnetic Flux Density, $B$ .....	Unlimited
Output OFF Voltage, $V_{OUT}$ .....	25 V
Continuous Output Current, $I_{OUT}$ ..	25 mA
Operating Temperature Range, $T_A$	
Prefix UGL .....	-40°C to +150°C
Prefix UGN .....	-20°C to +85°C
Prefix UGS .....	-40°C to +125°C
Storage Temperature Range, $T_S$ .....	-65°C to +150°C

These Hall-effect switches are designed for magnetic actuation using a bipolar magnetic field, i.e., a north-south alternating field. They combine extreme magnetic sensitivity with excellent stability over varying temperature and supply voltage. The high sensitivity permits their use with multi-pole ring magnets over relatively large distances.

Each device includes a voltage regulator, quadratic Hall voltage generator, temperature stability circuit, signal amplifier, Schmitt trigger, and open-collector output on a single silicon chip. The on-board regulator permits operation with supply voltages of 4.5 to 24 V. The switch output can sink up to 25 mA. With suitable output pull up, they can be used directly with bipolar or MOS logic circuits.

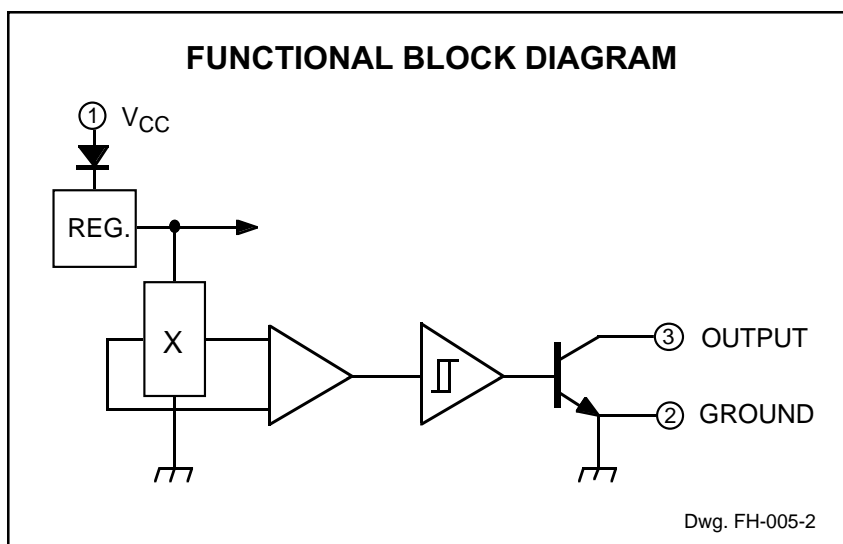
The three package styles available provide a magnetically optimized package for most applications. Suffix 'LT' is a miniature SOT-89/TO-243AA transistor package for surface-mount applications; suffixes 'U', and 'UA' feature wire leads for through-hole mounting. Prefix 'UGN' devices are rated for continuous operation over the temperature range of -20°C to +85°C, prefix 'UGS' devices over an extended range of -40°C to +125°C, and prefix 'UGL' devices over the range of -40°C to +150°C.

### FEATURES

- 4.5 V to 24 V Operation
- Reverse Battery Protection
- Superior Temperature Stability
- Superior Supply Voltage Stability
- Activate with Multi-Pole Ring Magnets
- Solid-State Reliability
- Small Size
- Constant Output Amplitude
- Resistant to Physical Stress

Always order by complete part number including prefix and suffix, e.g., **UGN3132LT**.

# 3132 AND 3133 BIPOLAR HALL-EFFECT SWITCHES



## ELECTRICAL CHARACTERISTICS at $T_A = +25^\circ\text{C}$

Characteristic	Symbol	Test Conditions	Limits			
			Min.	Typ.	Max.	Units
Supply Voltage	$V_{CC}$	Operating	4.5	—	24	V
Output Saturation Voltage	$V_{OUT(SAT)}$	$I_{OUT} = 20 \text{ mA}$ , $B \oplus B_{OP}$	—	145	400	mV
Output Leakage Current	$I_{OFF}$	$V_{OUT} = 24 \text{ V}$ , $B \leq B_{RP}$	—	<1.0	10	$\mu\text{A}$
Supply Current	$I_{CC}$	$V_{CC} = 24 \text{ V}$ , $B \leq B_{RP}$	—	4.3	9.0	mA
Output Rise Time	$t_r$	$V_{CC} = 12 \text{ V}$ , $R_L = 820 \Omega$ , $C_L = 20 \text{ pF}$	—	0.04	2.0	$\mu\text{s}$
Output Fall Time	$t_f$	$V_{CC} = 12 \text{ V}$ , $R_L = 820 \Omega$ , $C_L = 20 \text{ pF}$	—	0.18	2.0	$\mu\text{s}$

## MAGNETIC CHARACTERISTICS over operating temperature and voltage range.

Characteristic	Symbol	Device Type*	Limits			
			Min.	Typ.	Max.	Units
Operate Point	$B_{OP}$	3132	—	32	95	G
		3133	—	32	75	G
Release Point	$B_{RP}$	3132	-95	-20	—	G
		3133	-75	-20	—	G
Hysteresis	$B_{hys}$	Both	30	52	—	G

NOTE: As used here, negative flux densities are defined as less than zero (algebraic convention.)

Typical values are at  $T_A = +25^\circ\text{C}$  and  $V_{CC} = 12 \text{ V}$ .

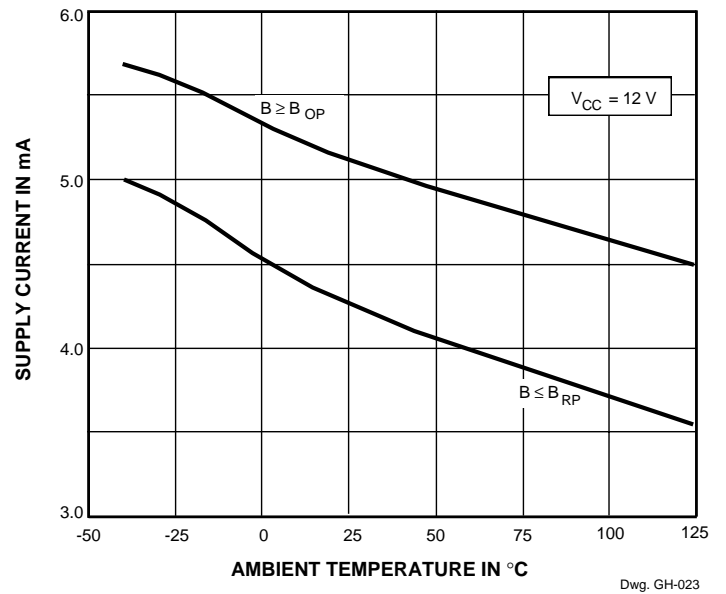
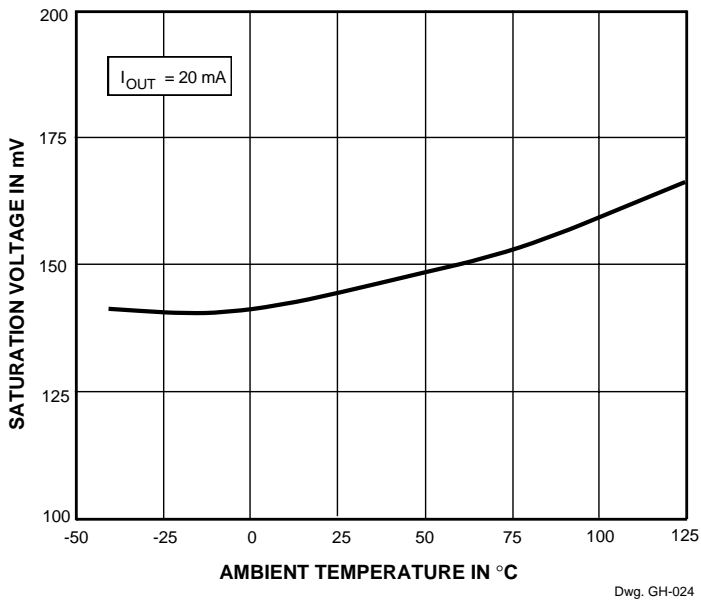
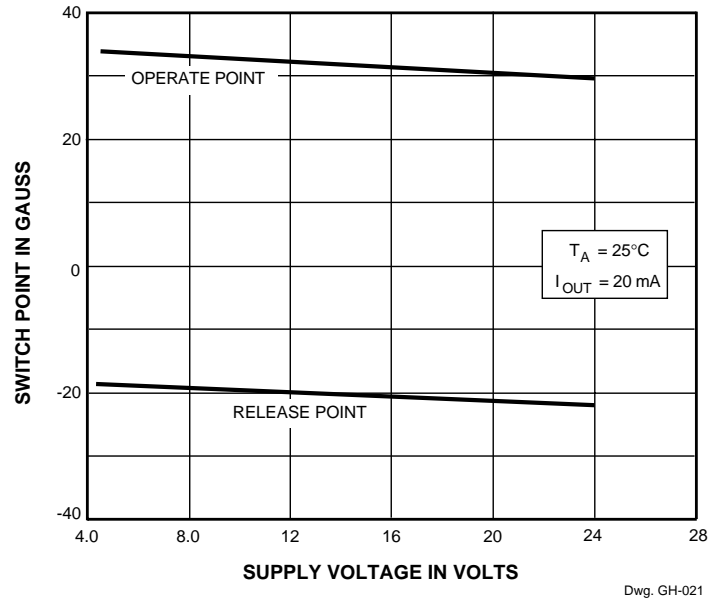
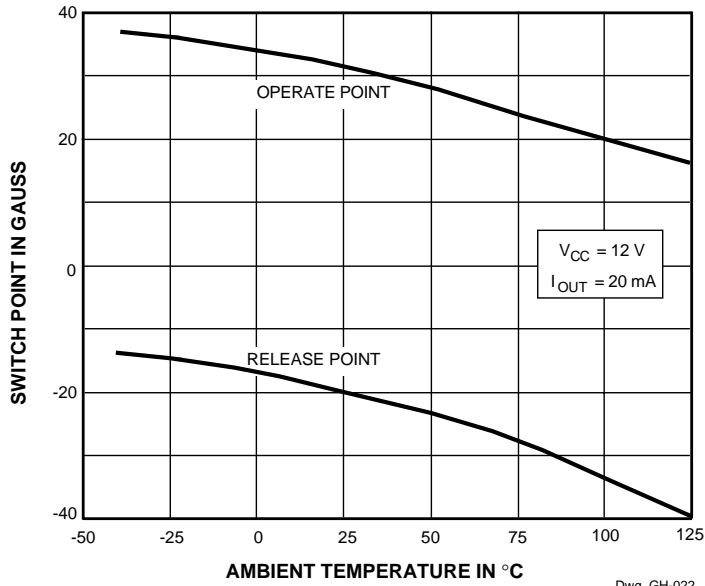
\* Complete part number includes a prefix denoting operating temperature range (UGL, UGN, or UGS) and a suffix denoting package type (LT, U, or UA).



115 Northeast Cutoff, Box 15036  
Worcester, Massachusetts 01615-0036 (508) 853-5000  
Copyright © 1996,1999, Allegro MicroSystems, Inc.

# 3132 AND 3133 BIPOLAR HALL-EFFECT SWITCHES

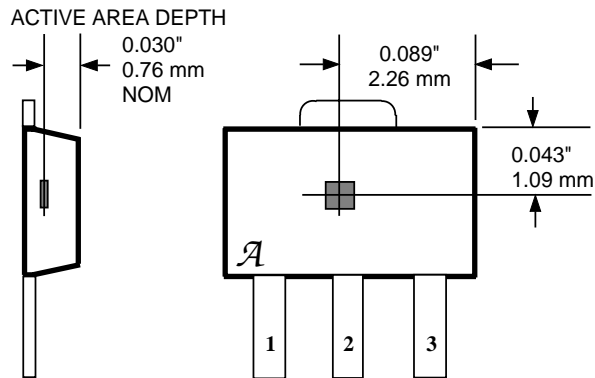
## TYPICAL CHARACTERISTICS



**3132 AND 3133**  
**BIPOLAR**  
**HALL-EFFECT SWITCHES**

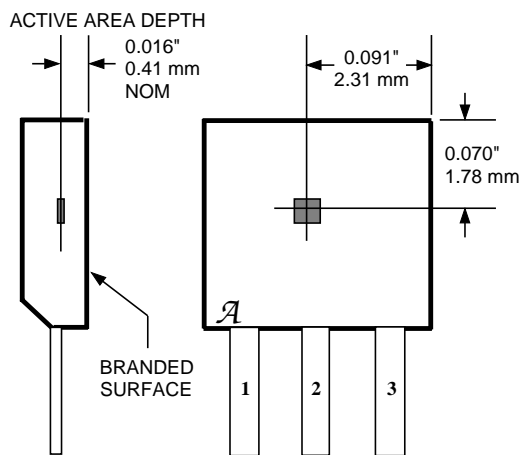
**SENSOR LOCATIONS**  
 ( $\pm 0.005"$  [0.13mm] die placement)

**SUFFIX "LT"**



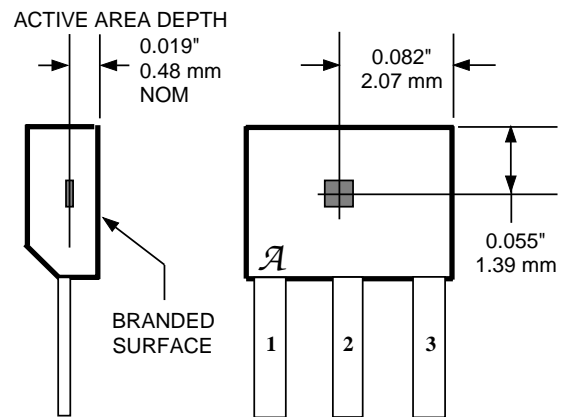
Dwg. MH-008-2C

**SUFFIX "U"**



Dwg. MH-002-2B

**SUFFIX "UA"**

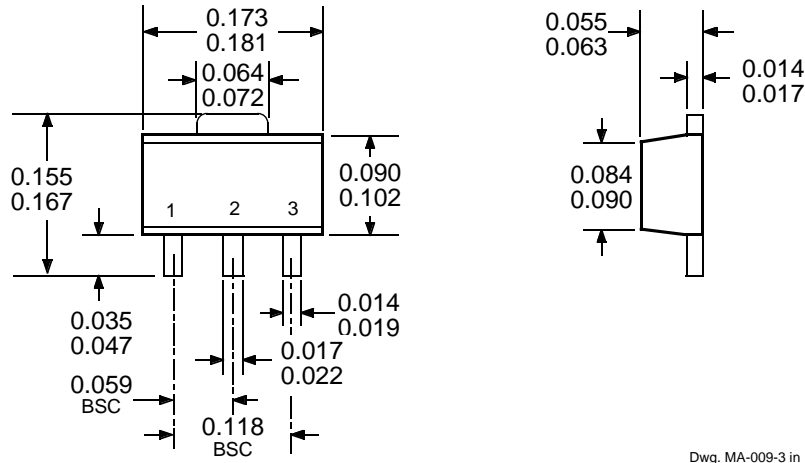


Dwg. MH-011-10

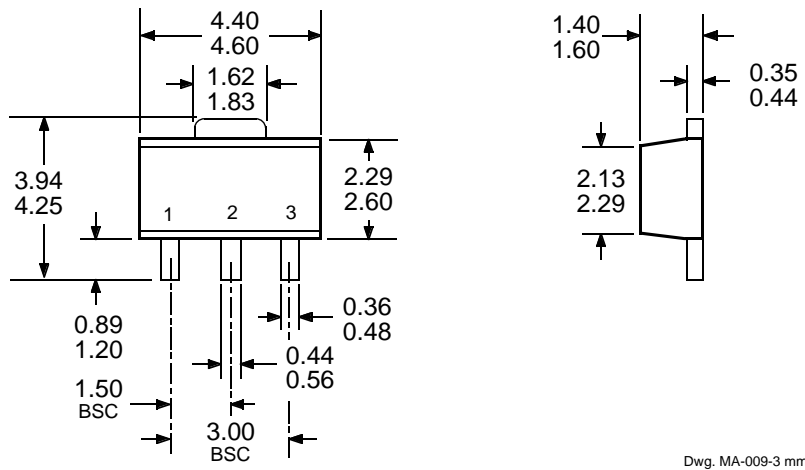
# 3132 AND 3133 BIPOLAR HALL-EFFECT SWITCHES

## PACKAGE DESIGNATOR 'LT' (SOT-89/TO-243AA)

Dimensions in Inches  
(for reference only)



Dimensions in Millimeters  
(controlling dimensions)



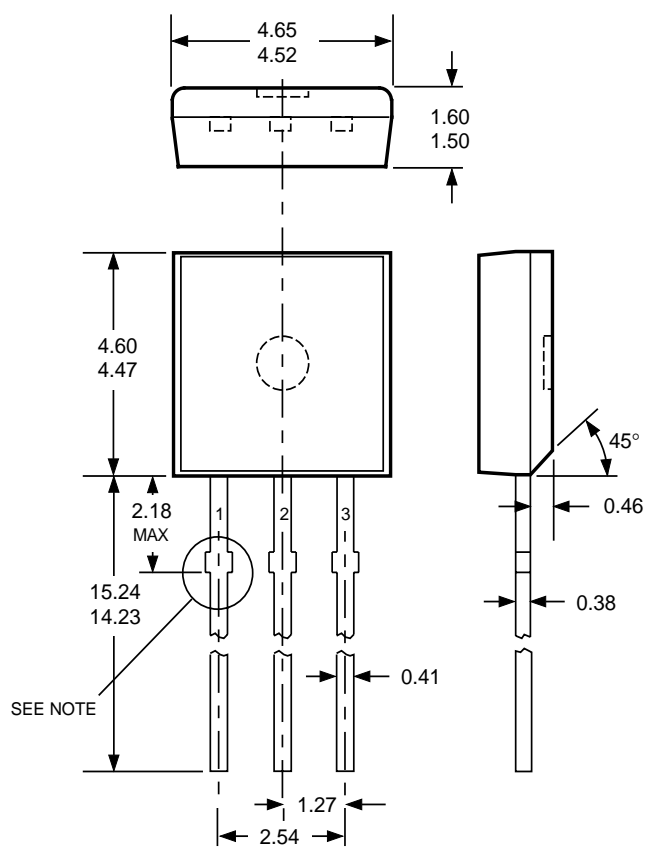
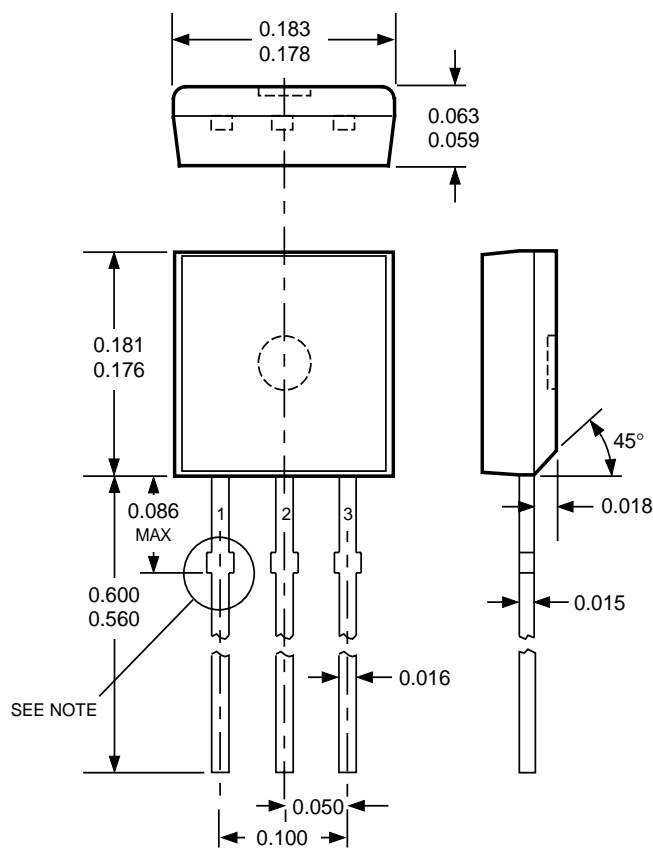
- NOTES: 1. Tolerances on package height and width represent allowable mold offsets. Dimensions given are measured at the widest point (parting line).
2. Exact body and lead configuration at vendor's option within limits shown.
3. Height does not include mold gate flash.

# 3132 AND 3133 BIPOLAR HALL-EFFECT SWITCHES

## PACKAGE DESIGNATOR 'U'

Dimensions in Inches  
(controlling dimensions)

Dimensions in Millimeters  
(for reference only)



**Devices in the 'U' package are  
NOT RECOMMENDED FOR NEW DESIGN**

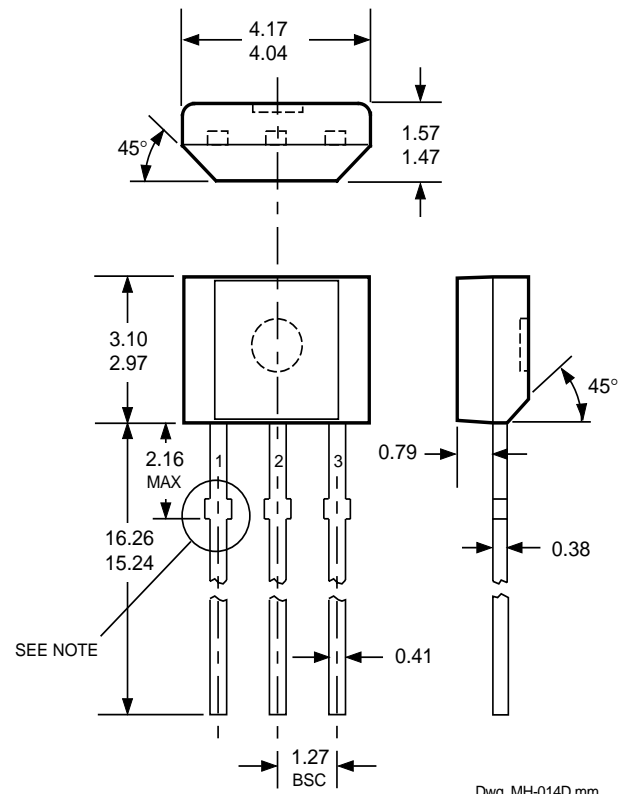
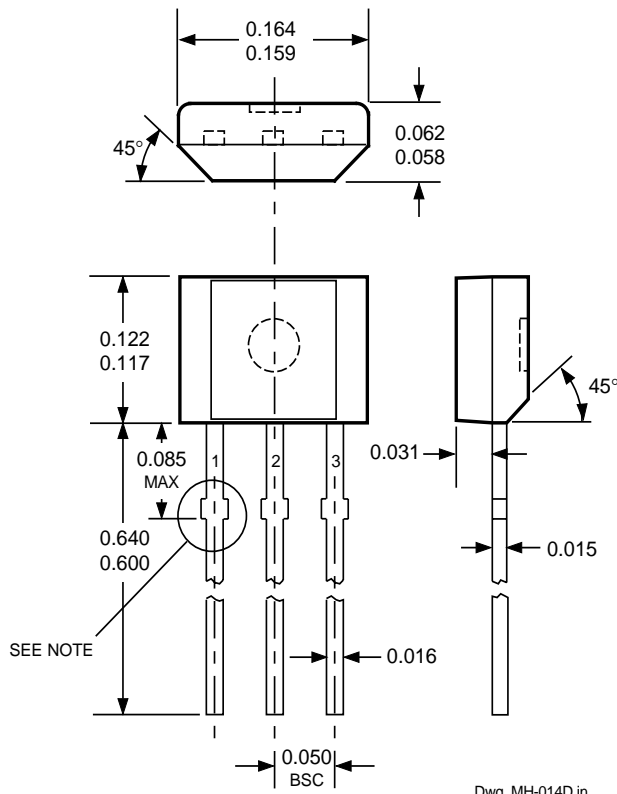
- NOTES: 1. Tolerances on package height and width represent allowable mold offsets. Dimensions given are measured at the widest point (parting line).
2. Exact body and lead configuration at vendor's option within limits shown.
3. Height does not include mold gate flash.
4. Recommended minimum PWB hole diameter to clear transition area is 0.035" (0.89 mm).
5. Where no tolerance is specified, dimension is nominal.

# 3132 AND 3133 BIPOLAR HALL-EFFECT SWITCHES

## PACKAGE DESIGNATOR 'UA'

Dimensions in Inches  
(controlling dimensions)

Dimensions in Millimeters  
(for reference only)



- NOTES: 1. Tolerances on package height and width represent allowable mold offsets. Dimensions given are measured at the widest point (parting line).
2. Exact body and lead configuration at vendor's option within limits shown.
3. Height does not include mold gate flash.
4. Recommended minimum PWB hole diameter to clear transition area is 0.035" (0.89 mm).
5. Where no tolerance is specified, dimension is nominal.

*Allegro MicroSystems, Inc. reserves the right to make, from time to time, such departures from the detail specifications as may be required to permit improvements in the design of its products.*

*The information included herein is believed to be accurate and reliable. However, Allegro MicroSystems, Inc. assumes no responsibility for its use; nor for any infringements of patents or other rights of third parties which may result from its use.*

**3132 AND 3133**  
**BIPOLAR**  
**HALL-EFFECT SWITCHES**

**HALL-EFFECT SENSORS SELECTION GUIDE**

Partial Part Number	Avail. Oper. Temp.	Characteristics at T <sub>A</sub> = +25°C			Features	Notes
		BOP(max)	BRP(min)	B <sub>hys</sub> (typ)		
<b>HALL-EFFECT UNIPOLAR SWITCHES in order of BOP and B<sub>hys</sub></b>						
3240	E/L	+50	+5.0	10	chopper stabilized	1
3210	E	±70	±5.0	7.7	micropower, chopper stabilized	
3361	E	+120	+50	5.0*	2-wire, chopper stabilized	
3362	E	+120	+50	5.0*	2-wire, chopper stabilized	
3161	E	+160	+30	20	2-wire	
3141	E/L	+160	+10	55		
3235	S	+175	+25	15*	output 1	2
		-25	-175	15*	output 2	2
5140	E	+200	+50	55	300 mA output	1, 3
3142	E/L	+230	+75	55		
3143	E/L	+340	+165	55		
3144	E/L	+350	+50	55		
3122	E/L	+400	+140	105		
3123	E/L	+440	+180	105		
3121	E/L	+450	+125	105		
3150	J	+40 to +850	-	20	programmable, chopper stabilized	1
<b>HALL-EFFECT LATCHES &amp; BIPOLAR SWITCHES<sup>†</sup> in order of BOP and B<sub>hys</sub></b>						
3260	E/L	+30	-30	20	bipolar, chopper stabilized	
3280	E/L	+40	-40	45	chopper stabilized	
3134	E/L	+50	-50	27	bipolar switch	
3133	K/L/S	+75	-75	52	bipolar switch	
3281	E/L	+90	-90	100	chopper stabilized	
3132	K/L/S	+95	-95	52	bipolar switch	
3187	E/L	+150	-150	100*		
3177	S	+150	-150	200		
3625	S	+150	-150	200	900 mA outputs	1, 3, 5
3626	S	+150	-150	200	400 mA outputs	1, 3, 5
3195	E/L	+160	-160	220		1, 4
3197	L	+160	-160	230		1
3175	S	+170	-170	200		
3188	E/L	+180	-180	200*		
3283	E/L	+180	-180	300	chopper stabilized	
3189	E/L	+230	-230	100*		
3275	S	+250	-250	100*		5
3185	E/L	+270	-270	340*		

Operating Temperature Ranges:

S = -20°C to +85°C, E = -40°C to +85°C, J = -40°C to +115°C, K = -40°C to +125°C, L = -40°C to +150°C

Notes 1. Protected.

2. Output 1 switches on south pole, output 2 switches on north pole for 2-phase, bifilar-wound, unipolar-driven brushless dc motor control.

3. Power driver output.

4. Active pull down.

5. Complementary outputs for 2-phase bifilar-wound, unipolar-driven brushless dc motor control.

\* Minimum.

Latches will not switch on removal of magnetic field; bipolar switches may switch on removal of field but require field reversal for reliable operation over operating temperature range.

