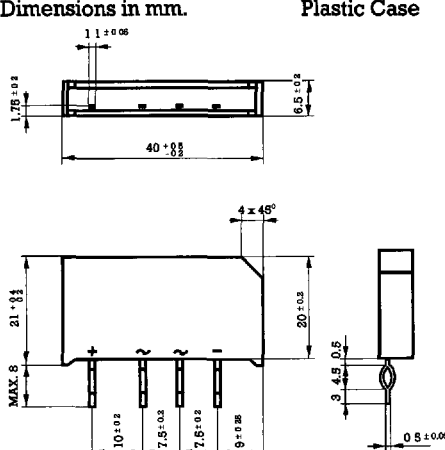


5 Amp. Silicon Bridge Rectifiers in Plastic Case

<p>Dimensions in mm. Plastic Case</p> 	<p>Voltage 100 to 1.000 V.</p> <p>Current 5.0 A.</p> <ul style="list-style-type: none"> • In process of evaluation UL 1449 • Low Cost • Case: Epoxy encapsulation • Terminals: Radial in-line • Ideal for P.C.B. <p>Lead and polarity identifications High surge current capability</p>
---	--

Maximum Ratings, according to IEC publication No. 134

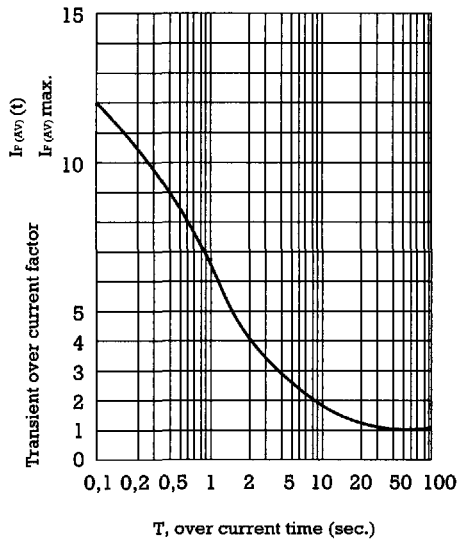
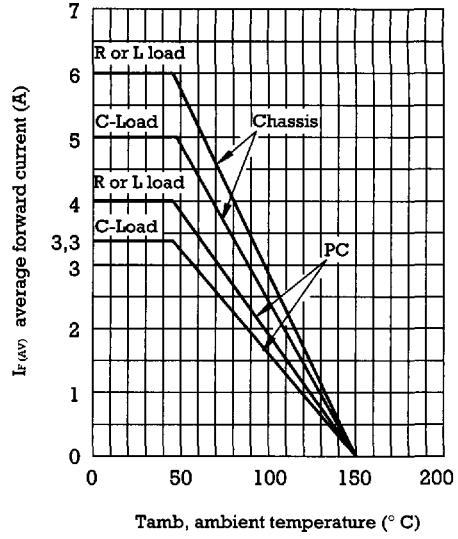
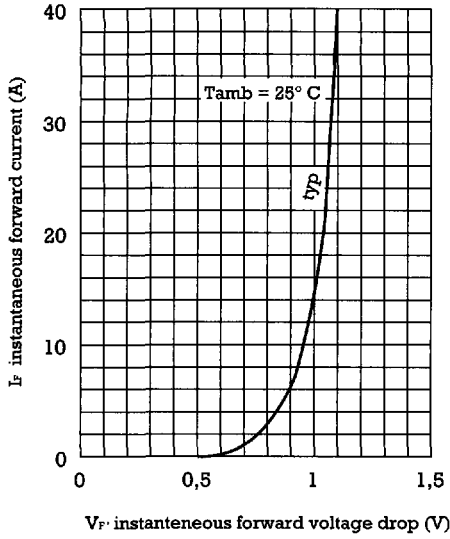
		B40	B80	B125	B250	B380	B500
		C5000/3300	C5000/3300	C5000/3300	C5000/3300	C5000/3300	C5000/3300
V_{RRM}	Peak recurrent reverse voltage (V)	100	200	300	600	900	1000
V_N	Recommended input voltage (V_{RMS})	40	80	125	250	380	500
$I_{F(AV)}$	Forward current at $T_{amb} = 45^\circ C$ - PC mounted R load C load - Chassis mounted R load C load	4.0 A 3.3 A 6.0 A 5.0 A					
I_{FRM}	Recurrent peak forward current	30 A					
I_{FSM}	10 ms. peak forward surge current	250 A					
I^2t	I^2t value for fusing (t = 10 ms)	300 A ² S					
T_j	Max. operating temperature	+ 150°C					
T_{stg}	Storage temperature range	- 40 to + 150 °C					

Electrical Characteristics at $T_{amb} = 25^\circ C$

V_F	Max. forward voltage drop per arm at $I_F = 5 A$	1 V
I_R	Max. reverse current per arm at V_{RRM}	20 μA

FAGOR ELECTRONICS

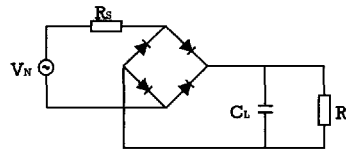
Characteristic Curves



OPERATION WITH CAPACITIVE LOAD

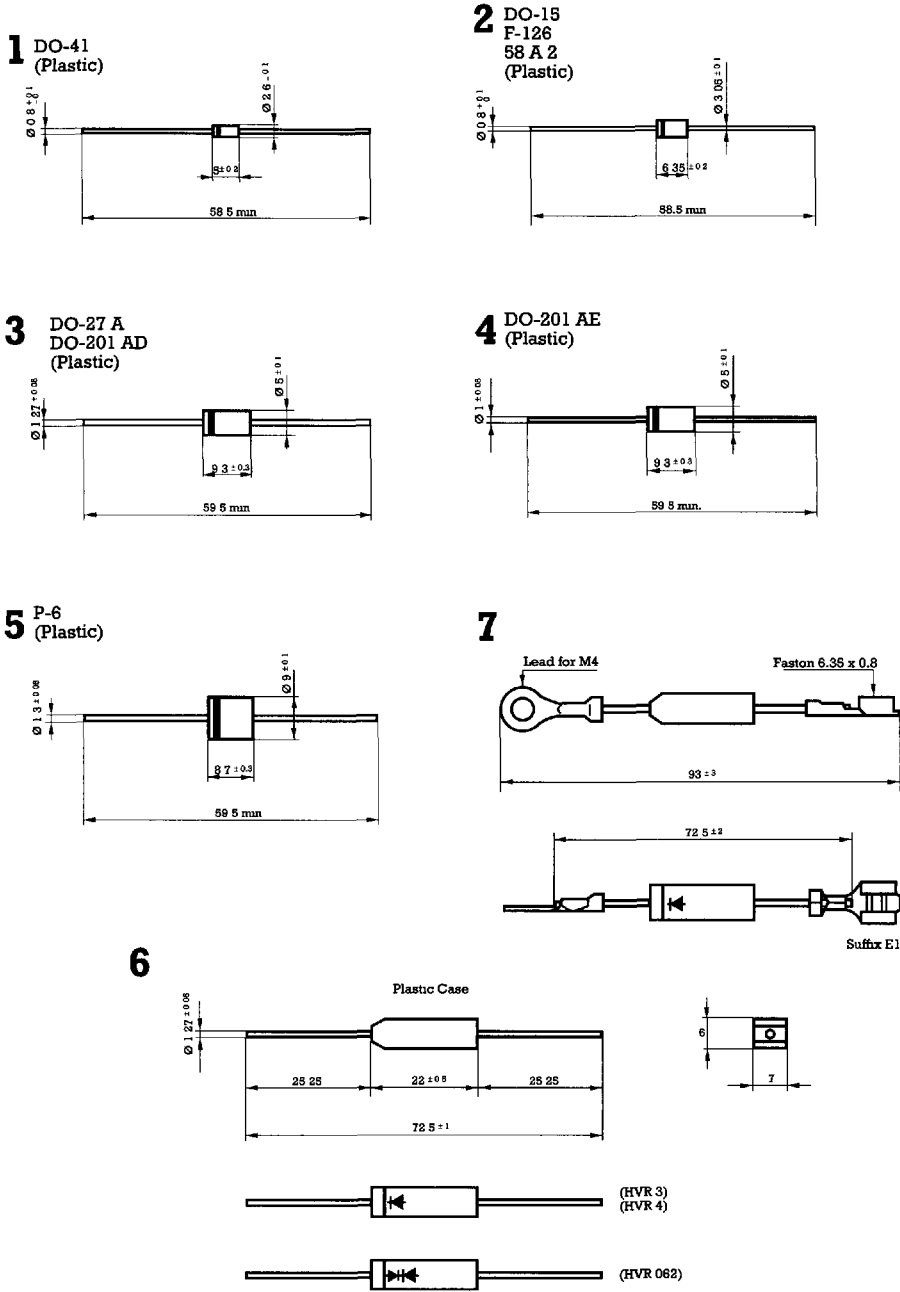
Limit values of R_s and C_L for adequate protection against switching transients.

Recommended input voltage V_{RMS}	Min. R_s Tol $\pm 10\%$ Ohms	Max. C_L + 50 % Tol - 20 % μF
40	0,5	10.000
80	1,0	5,000
125	1,5	2.500
250	3,0	1.200
380	5,0	800
500	6,0	600



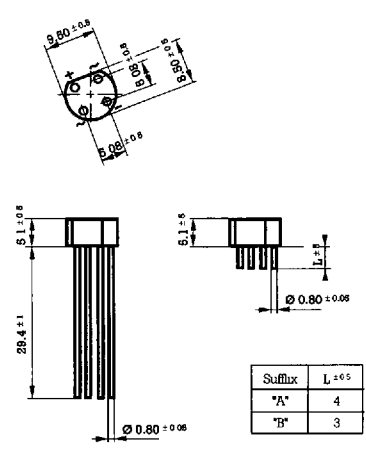
Package Outlines

Dimensions in mm.

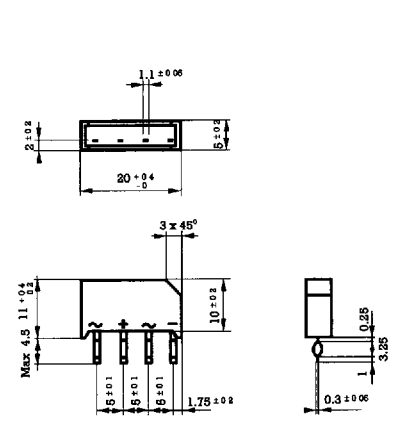


Package Outlines **Dimensions in mm.**

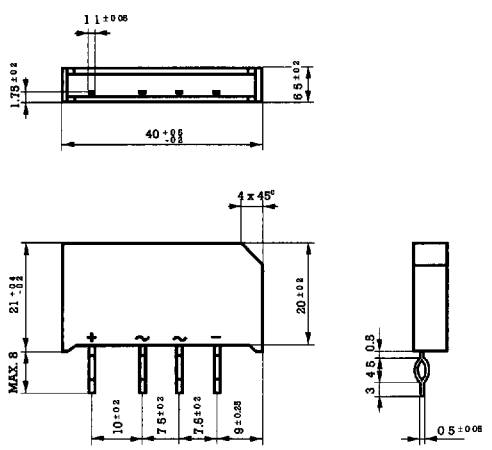
8



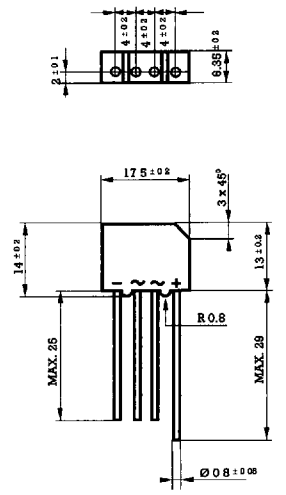
9



10



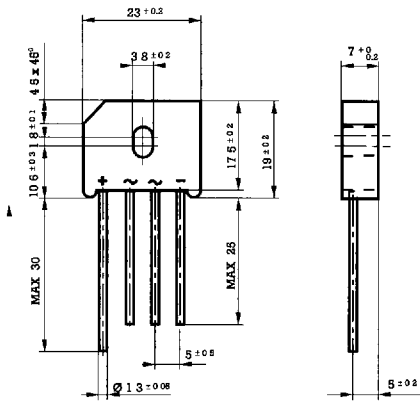
11



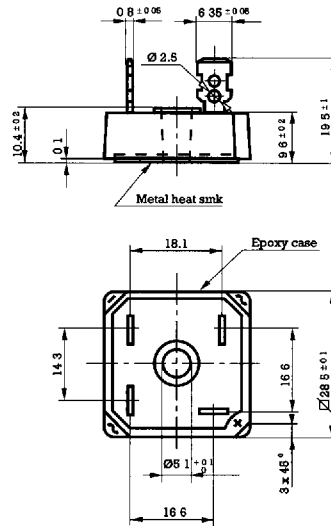
Package Outlines

Dimensions in mm.

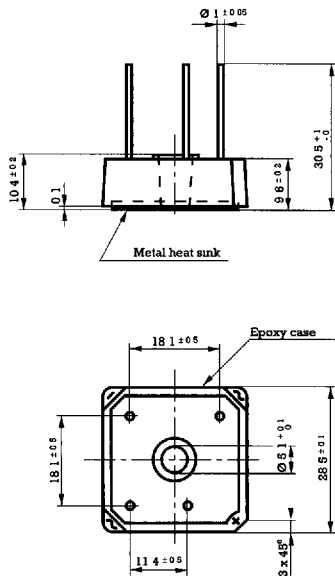
12



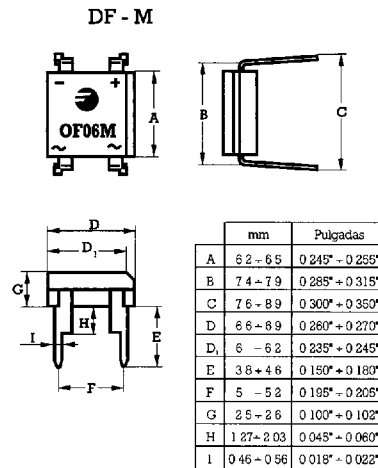
13



14



15



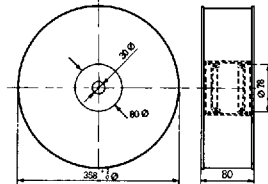
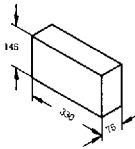
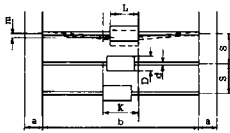
Packaging specifications

Dimensions in mm.

REEL PACKAGING (Under IEC-CEI 286-1 and RS-296 D)

CASE TYPE (OUTLINE)	REEL DIMENSIONS					UNITS PER REEL	APROX GROSS WEIGHT PER REEL PACKED
	K	b	S	m	a		
(1) DO41 (Plastic)	6.4	53 ± 2	5 ± 0.5	1.2	6 ± 1	6000	2.5 kg (5.52 Lbs)
(2) DO15 (Plastic)	7.85	53 ± 2	5 ± 0.5	1.2	6 ± 1	5000	2.3 kg (5.07 Lbs)
(3) DO201AD (Plastic) (4) DO201AE (Plastic)	11	53 ± 2	10 ± 0.5	1.2	6 ± 1	1500	2 kg (4.41 Lbs)
(5) P-6 (Plastic)	11.27	53 ± 2	10 ± 0.5	1.2	6 ± 1	1000	3 kg (6.61 Lbs)

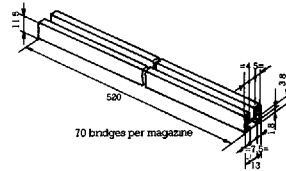
REEL PACKAGING



AMMO BOX PACKAGING (SUFFIX 'AMP')

OUTLINES	BOX SIZE	UNITS PER BOX	APROX GROSS WEIGHT PER REEL PACKED
DO-41 (Plastic)	330 x 75 x 145	6000	2.20 kg (4.85 Lbs)
DO-15 (Plastic)	330 x 75 x 145	5000	2.20 kg (4.85 Lbs)
DO-201AD (Plastic)	330 x 75 x 145	1500	1.85 kg (4.08 Lbs)
DO-201ED (Plastic)	330 x 75 x 145	1500	1.85 kg (4.08 Lbs)
P-600	330 x 75 x 145	500	1.2 kg (2.65 Lbs)

DIL PACKAGING
 ANTISTATIC PLASTIC TUBE



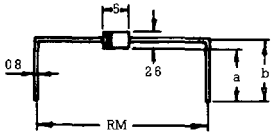
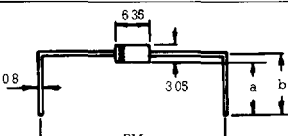
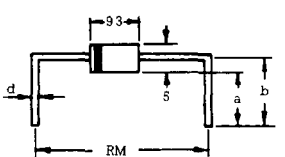
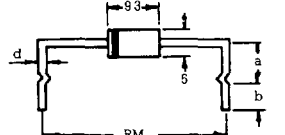
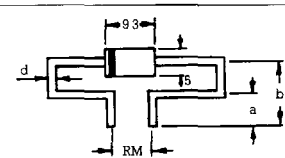
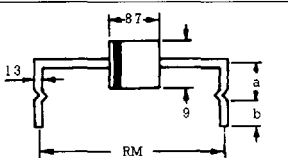
BOX PACKAGING

DEVICE TYPE (OUTLINE)	BOX SIZE	UNITS PER BOX	APROX GROSS WEIGHT
(6) (7) HVR3, HVR4, HVR062 (7) = Suffix E1	70 x 105 x 205	(6) 250 (7) 200	0.710 kg (1.560 Lbs)
(8) B C800, C1000, C1500 R, WL F, WF / ("A")	70 x 105 x 205	500 / (1.500)	0.650 kg (1.430 Lbs)
(9) B C1500/1000, C2000/1500	70 x 105 x 205	500	1.100 kg (2.425 Lbs)
(10) B C3700/2200	70 x 105 x 205	100	1.100 kg (2.425 Lbs)
(10) B C500/3300, C5000/3300-400	70 x 105 x 205	100	1.100 kg (2.425 Lbs)
(11) FBP, 2FBP	215 x 85 x 335	500	2.10 kg (4.62 Lbs)
(12) FBU 4 - 6 - 8	270 x 90 x 400	500	4.20 kg (9.23 Lbs)
(13) FB 10 - 15 - 25 - 35 - 50 B 10 - 15 - 25 - 35 - 50	70 x 105 x 205	50	0.850 kg (1.872 Lbs)
(14) FB 10L - 15L - 25L B 10L - 15L - 25L	35 x 135 x 205	20	0.350 kg (0.770 Lbs)
DF - M	540 x 145 x 110	5.600	4.0 kg (8.82 Lbs)

Standard lead forming specifications

Dimensions in mm.

Plastic Cases

DO-41 	Type	Dimensions		
		a	b	RM
	C2-3	3 ± 0.5	43 ± 0.5	10 ± 0.5
	C2-5	10 ± 0.5	113 ± 0.5	10 ± 0.5
	C2-8	4 ± 0.5	53 ± 0.5	10 ± 0.5
DO-15 	Type	Dimensions		
		a	b	RM
	C2-3	3 ± 0.5	45 ± 0.5	10 ± 0.5
	C2-5	10 ± 0.5	115 ± 0.5	10 ± 0.5
	C2-8	4 ± 0.5	55 ± 0.5	10 ± 0.5
DO-201AD DO-27A (d = 1.27) DO-201AE (d = 1) 	Type	Dimensions		
		a	b	RM
	C2-1	3.5 ± 0.5	6 ± 0.5	15 ± 0.5
	C2-2	4 ± 0.5	6.5 ± 0.5	15 ± 0.5
	C2-4	7.5 ± 0.3	10 ± 0.3	17.8 ± 0.15
	C2-6	3.5 ± 0.5	6 ± 0.5	17.5 ± 0.5
	C2-7	4.5 ± 0.5	7 ± 0.5	21 ± 0.5
	C2-11	4.5 ± 0.5	7 ± 0.5	17.5 ± 0.5
	C2-12	12.5 ± 0.5	15 ± 0.5	17.5 ± 0.5
	C2-13	16 ± 0.5	18.5 ± 0.5	15.2 ± 0.5
	C2-14	7.5 ± 0.5	10 ± 0.5	15 ± 0.5
	C2-17	4 ± 0.5	6.5 ± 0.5	20 ± 0.5
DO-201AD DO-27A (d = 1.27) DO-201AE (d = 1) 	Type	Dimensions		
		a	b	RM
	C6-1	10 ± 0.5	5 ± 0.5	15.2 ± 0.5
	C6-2	10 ± 0.5	5 ± 0.5	17.5 ± 0.5
	C6-3	7 ± 0.5	5 ± 0.5	21 ± 0.5
	C6-4	13.5 ± 0.5	5 ± 0.5	15.2 ± 0.5
	C6-5	10 ± 0.5	5 ± 0.5	20 ± 0.5
DO-201AD DO-27A (d = 1.27) DO-201AE (d = 1) 	Type	Dimensions		
	C4-2	4.5 ± 0.3	10.5 ± 0.3	7.5 ± 0.5
P-6 	Type	Dimensions		
		a	b	RM
	C6-1	10 ± 0.5	5 ± 0.5	15.2 ± 0.5
	C6-2	10 ± 0.5	5 ± 0.5	17.5 ± 0.5
	C6-3	7 ± 0.5	5 ± 0.5	21 ± 0.5
	C6-4	13.5 ± 0.5	5 ± 0.5	15.2 ± 0.5