

# Reverse mount type chip LED

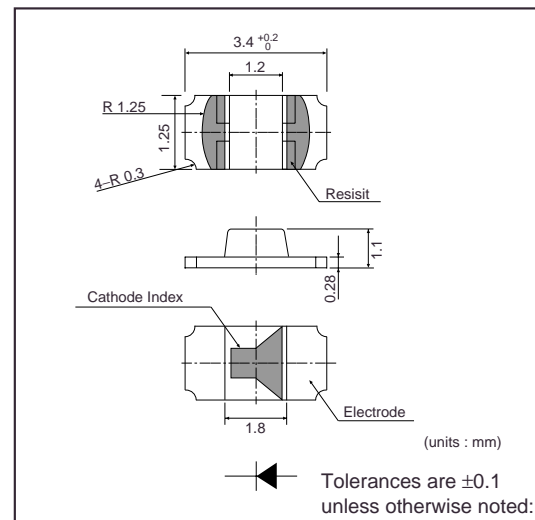
## SML- 810MT

The SML-810 is reverse mount type chip LEDs. Due to reverse mounting , it will make thinner for the sets.

### ●Features

- 1) Green colored light emission.
- 2) Small shaped (3.4×1.25mm).
- 3) Can be mounted by automatic mounting.

### ●External dimensions (Units : mm)



### ●Selection guide

Emitting color	Green
Lens	
Clear	SML-810MT

### ●Absolute maximum ratings (Ta=25°C)

Parameter	Symbol	Limits	Unit
Power dissipation	P <sub>D</sub>	65	mW
Forward current	I <sub>F</sub>	25	mA
Peak forward current	I <sub>FP</sub>	60	mA*
Reverse voltage	V <sub>R</sub>	4	V
Operating temperature	T <sub>opr</sub>	-30~+85	°C
Storage temperature	T <sub>stg</sub>	-40~+85	°C

\*Pulse width 1ms Duty 1/5

Light Emitting Diodes

●Electrical and optical characteristics (Ta=25°C)

Parameter		Color	Forward voltage			Reverse current		Luminous intensity			Peak wavelength		Spectral line half width	
			V <sub>F</sub> (V)		Cond.	I <sub>R</sub> (μA)	Cond.	I <sub>v</sub> (mcd)		λ <sub>P</sub> (nm)	Cond.	Δλ (nm)	Cond.	
			Typ.	Max.	I <sub>F</sub> (mA)	Max.	V <sub>R</sub> (V)	Min.	Typ.	I <sub>F</sub> (mA)	Typ.	I <sub>F</sub> (mA)	Typ.	I <sub>F</sub> (mA)
SML-810	MT	Green	2.2	2.6	20	100	4	5.6	16	20	570	20	40	20

●Directional pattern

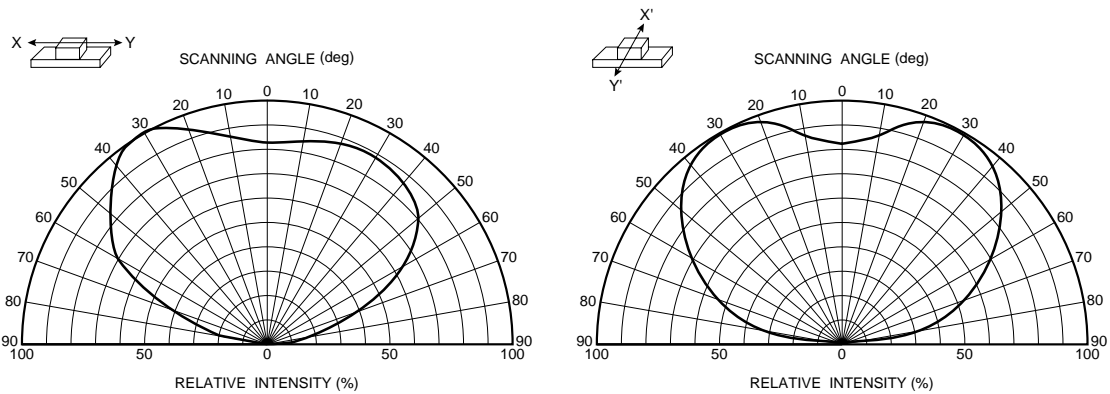


Fig.1 Directional pattern

●Electrical characteristic curves

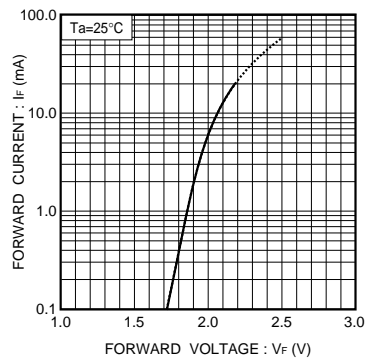


Fig.2 Forward current vs. forward voltage

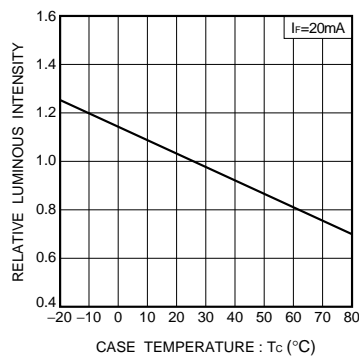


Fig.3 Relative luminous intensity vs. case temperature

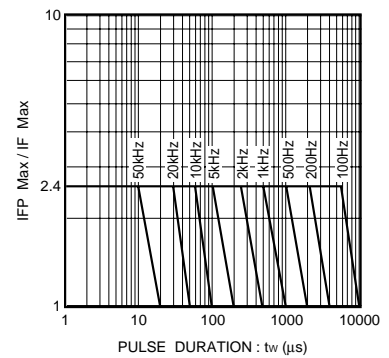


Fig.4 Ratio of maximum tolerable peak current vs. pulse duration

Light Emitting Diodes

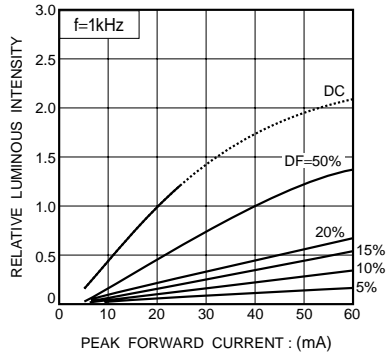


Fig.5 Relative luminous intensity vs. forward current

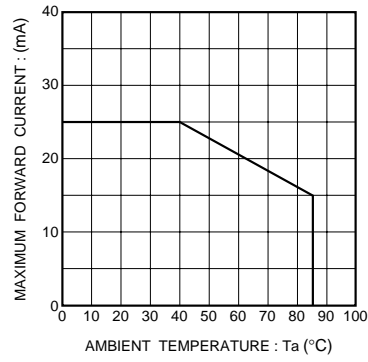


Fig.6 Maximum forward current vs. ambient temperature (Derating)