



Technical Data Sheet

5 mm Cylindrical Shape

423-2ASUGC/S400-A6/X/TR1

Features

- Cylindrical lens with white Diffused color .
- I.C compatible.
- Available on tape and reel.
- Reliable and robust.
- Pb free.
- ESD-withstand voltage: up to 4K V



Descriptions

- The series is specially designed for applications requiring higher brightness
- The LED lamps are available with different colors, intensities, epoxy colors, etc.

Applications

- TV set
- Monitor
- Telephone
- Computer

CONFIDENTIAL

Device Selection Guide

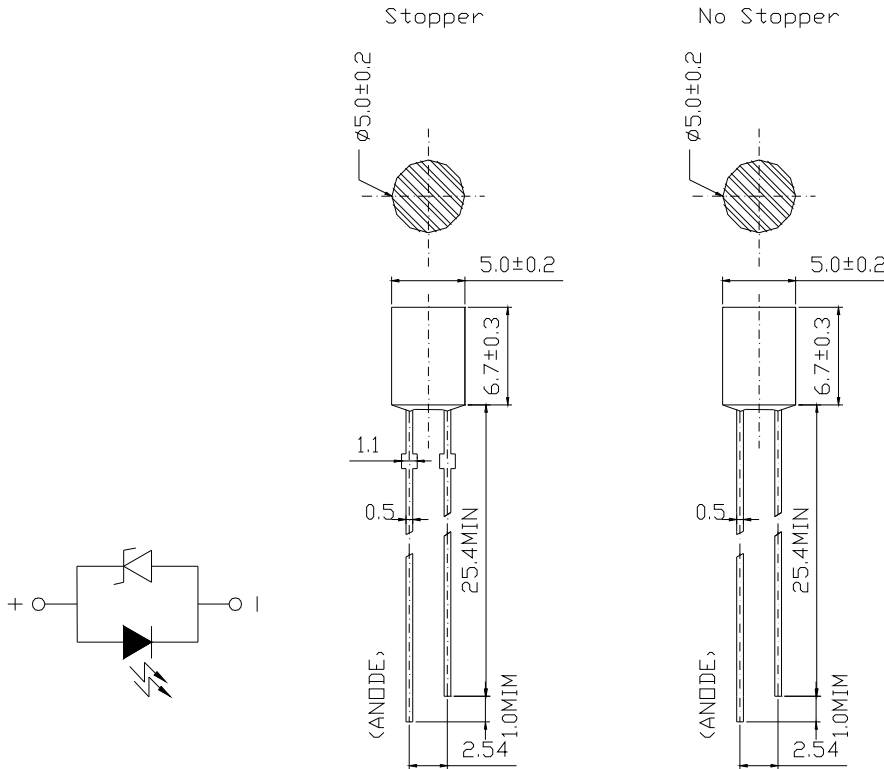
LED Part No.	Chip Material	Emitted Color	Lens Color	Stopper
423-2ASUGC/S400-A6/P	InGaN/SiC	Super Green	Water Clear	Yes
423-2ASUGC/S400-A6	InGaN/SiC	Super Green	Water Clear	No

Technical Data Sheet

5 mm Cylindrical Shape

423-2ASUGC/S400-A6/X/TR1

Package Dimensions



Notes:

- All dimensions are in millimeters, tolerance is 0.25mm except being specified.
- Lead spacing is measured where the lead emerges from the package.
- Protruded resin under flange is 1.5mm Max LED.

Absolute Maximum Ratings (Ta=25)

Parameter	Symbol	Rating	Units
Forward Current	I _F	30	mA
Pulse Forward Current(Duty1/10@ 1KHz)	I _{FP}	100	mA
Operating Temperature	T _{opr}	-40 ~ +85	
Storage Temperature	T _{stg}	-40 ~ +100	
Electrostatic Discharge	ESD	4K	V
Soldering Temperature ^{*2}	T _{sol}	260±5	
Power Dissipation	P _d	130	mW
Zener Reverse Current	I _Z	100	mA

Notes: Soldering time 5 seconds.



Technical Data Sheet

5 mm Cylindrical Shape

423-2ASUGC/S400-A6/X/TR1

Electro-Optical Characteristics (Ta=25)

Parameter	Symbol	Condition	Min.	Typ.	Max.	Units
Forward Voltage	V _F	I _F =20mA	--	3.5	3.9	V
Zener Reverse Voltage	V _Z	I _Z =5mA	--	--	4.5	V
Luminous Intensity	I _V	I _F =20mA	450	565	--	mcd
Viewing Angle	2 1/2	I _F =20mA	--	90	--	deg
Peak Wavelength	p	I _F =20mA	--	518	--	nm
Dominant Wavelength	d	I _F =20mA	--	525	--	nm
Spectrum Radiation Bandwidth		I _F =20mA	--	35	--	nm

Rank Combination (I_F=20mA)

Rank	F	G	H	J
Luminous Intensity	450~565	565~715	715~900	900~1125

*Measurement Uncertainty of Luminous Intensity: ±15%

Unit:mcd

Rank	S	T	U	V
Forward Voltage	3.1~3.3	3.3~3.5	3.5~3.7	3.7~3.9

*Measurement Uncertainty of Forward Voltage: ±0.1V

Unit:V

Rank	3	4	5	6
Dominant Wavelength	520~524	524~528	528~532	532~536

*Measurement Uncertainty of Dominant Wavelength ±1.0nm

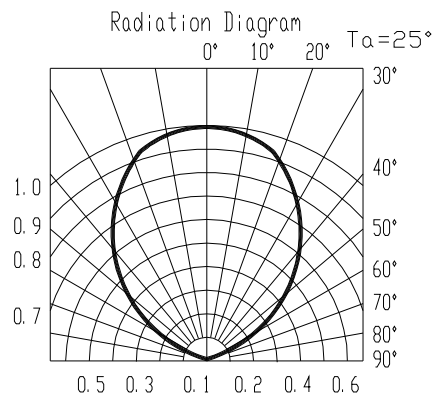
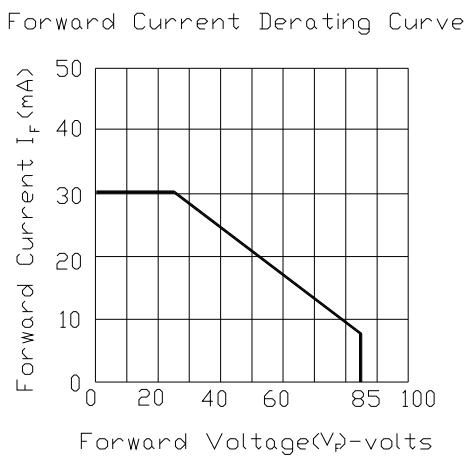
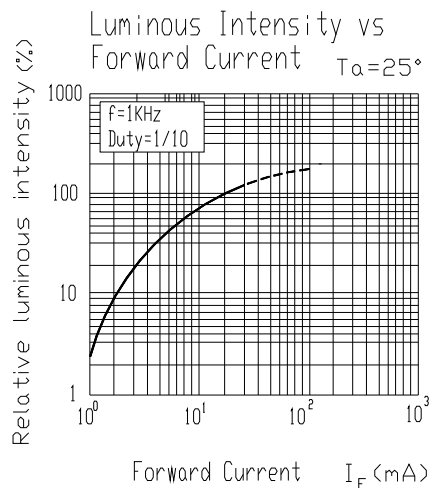
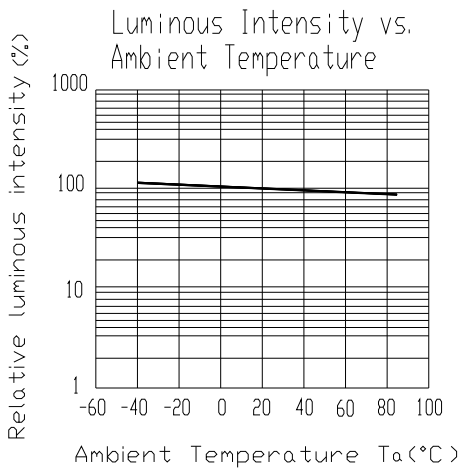
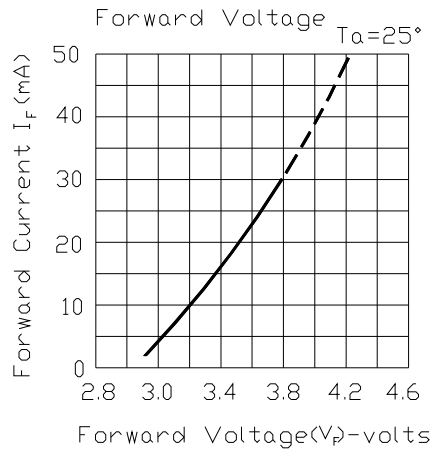
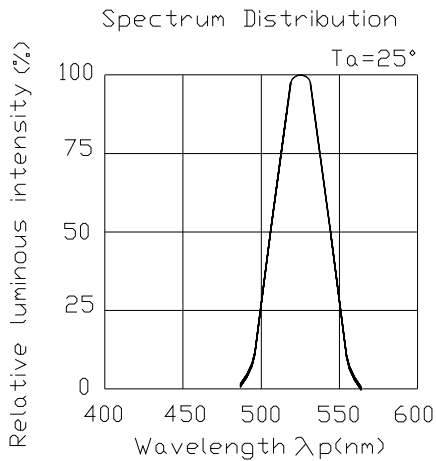
Unit:nm

Technical Data Sheet

5 mm Cylindrical Shape

423-2ASUGC/S400-A6/X/TR1

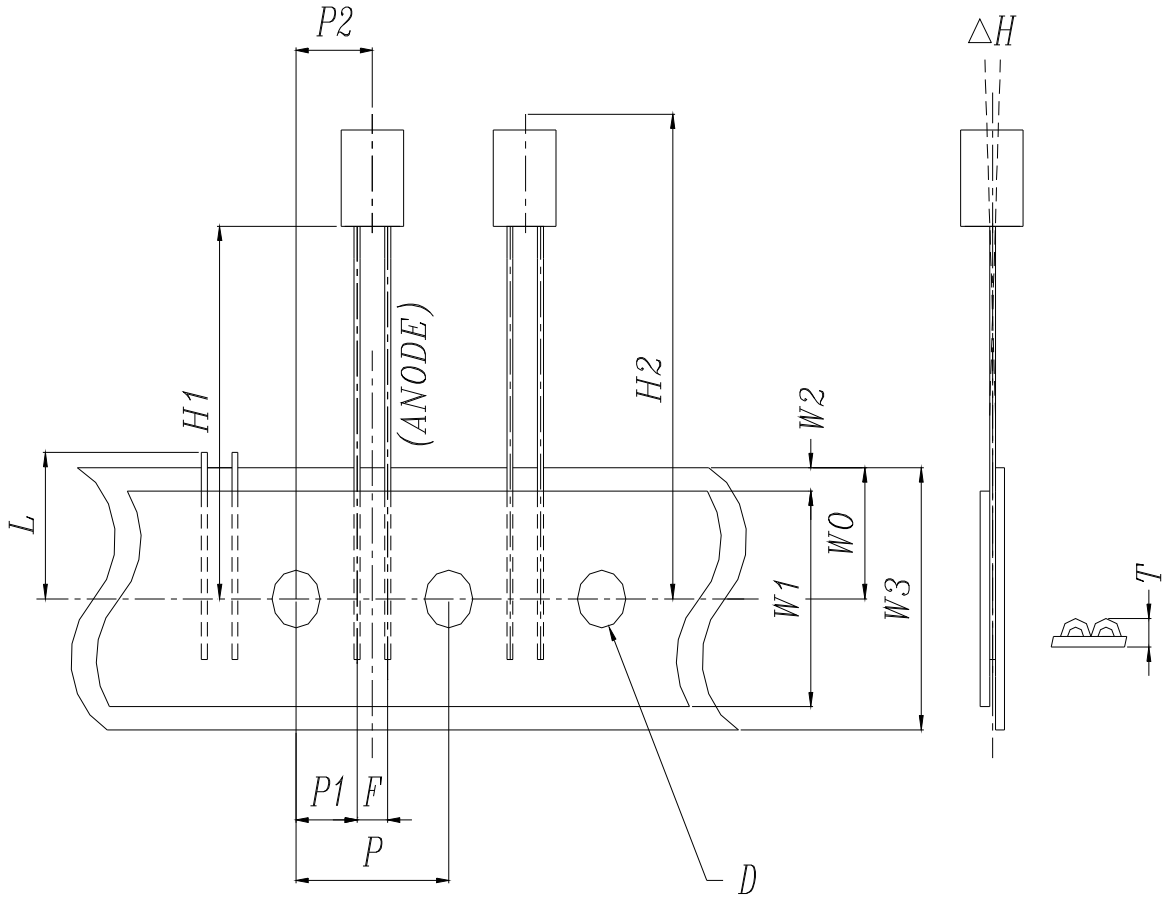
Typical Electro-Optical Characteristics Curves



Technical Data Sheet

5 mm Cylindrical Shape

423-2ASUGC/S400-A6/X/TR1





Technical Data Sheet

5 mm Cylindrical Shape423-2ASUGC/S400-A6/X/TR1

Symbol Item	Symbol	Specifications		
		Avg		Tolerance
		Mm	Inch	mm
Tape Feed Hold Diameter	D	4.0	0.157	±0.2
Component Lead Pitch	F	2.54	0.100	+0.8/-0.2
Front-To-Rear Deflection	ΔH	0	0	±5°
Feed Hole To Button Of Component	H1	18.5	0.73	±1.0
Feed Hole To Overall Component Height	H2	25.2	0.992	±1.0
Lead Length After Component Height	L	11.0	0.433	Max
Feed Hold Pitch	P	12.7	0.500	±0.3
Lead Location	P1	5.10	0.200	±0.7
Center Of Component Location	P2	6.35	0.250	±1.2
Overall Taped Package Thickness	T	1.42	0.056	Max
Feed Hold Location	W0	9.0	0.354	±0.5
Adhesive Tape Width	W1	13.0	0.512	±0.25
Adhesive Tape Position	W2	4.0	0.157	Max
Tape Width	W3	18.0	0.709	±0.75



Technical Data Sheet

5 mm Cylindrical Shape

423-2ASUGC/S400-A6/X/TR1

Packing Quantity Specification

- 1.2000Pcs/1Box
- 2.10Boxes/1Carton

Label Form Specification



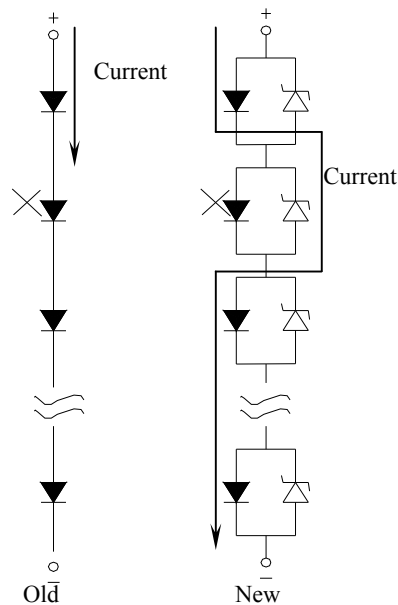
- CPN: Customer's Production Number
- P/N : Production Number
- QTY: Packing Quantity
- AT: Ranks
- HUE: Peak Wavelength
- REF: Reference
- LOT No: Lot Number
- MADE IN TAIWAN: Production Place

CONFIDENTIAL

Technical Data Sheet

5 mm Cylindrical Shape423-2ASUGC/S400-A6/X/TR1**Notes**

1. Above specification may be changed without notice. EVERLIGHT will reserve authority on material change for above specification.
2. When using this product, please observe the absolute maximum ratings and the instructions for using outlined in these specification sheets. EVERLIGHT assumes no responsibility for any damage resulting from use of the product which does not comply with the absolute maximum ratings and the instructions included in these specification sheets.
3. These specification sheets include materials protected under copyright of EVERLIGHT corporation. Please don't reproduce or cause anyone to reproduce them without EVERLIGHT's consent.
4. When the LED is connected using serial circuit, if either piece of LED is no light up but current can't flow through causing others to light down. In new design, the LED is parallel with zener diode. if either piece of LED is no light up but current can flow through causing others to light up



EVERLIGHT ELECTRONICS CO., LTD.
Office: No 25, Lane 76, Sec 3, Chung Yang Rd,
Tucheng, Taipei 236, Taiwan, R.O.C

Tel: 886-2-2267-2000, 2267-9936
Fax: 886-2267-6244, 2267-6189, 2267-6306
<http://www.everlight.com>