

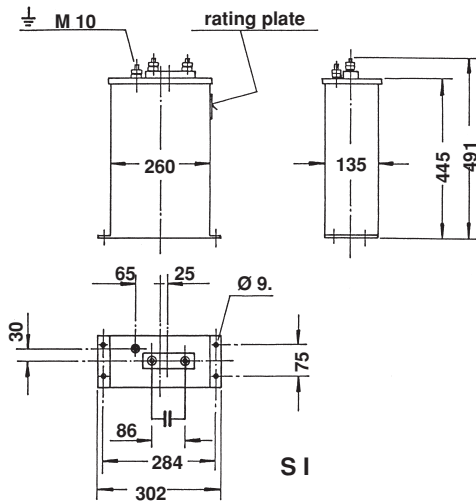
Line Frequency Capacitors 50/60Hz

ESTAprop[®], 230 - 525V, SELF-COOLING, SINGLE-PHASE

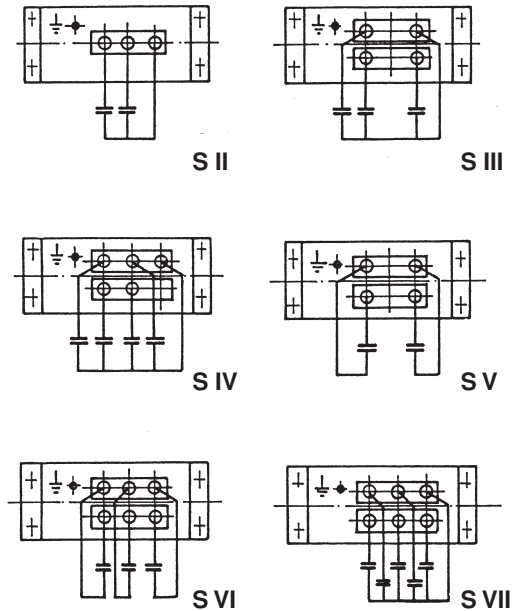
DESIGN

- MKP-type cup capacitor elements assembled and interconnected in steel sheet riveted casing;
- Casing varnish RAL 7033;
- IP 00, indoor, - 25°C/+ 45°C (unless otherwise confirmed);
- Self-healing, with internal overpressure tear-off fuse in each cup;
- Connection bolt M12, and grounding bolt M10;
- Mounting in the upright position, or horizontally on the narrow side.

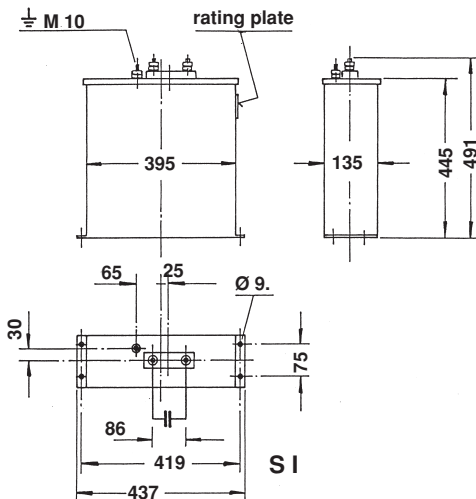
VERSION A/CIRCUITRY S I



ADDITIONAL CIRCUITRY VERSIONS



VERSION B/CIRCUITRY S I



230 - 525V, 50Hz (60Hz on request)

U_N (V)	Q_N (kVAr)	C_N (μ F)	I_N (A)	VERSION/ CIRCUITRY	TYPE Phmkp . . .
230	40	2407	174	A / S I	..230/40/1
230	60	3610	261	B / S I	..230/60/1
400	80	1592	200	A / S I	..400/80/1
400	120	2387	300	B / S I	..400/120/1
500	72	917	144	A / S I	..500/72/1
500	108	1375	216	B / S I	..500/108/1
525	80	924	152	A / S I	..525/80/1
525	120	1386	229	B / S I	..525/120/1

Shown are the maximum power ratings, other power ratings, voltages, and subdivisions on request.



Disclaimer

All product specifications and data are subject to change without notice.

Vishay Intertechnology, Inc., its affiliates, agents, and employees, and all persons acting on its or their behalf (collectively, "Vishay"), disclaim any and all liability for any errors, inaccuracies or incompleteness contained herein or in any other disclosure relating to any product.

Vishay disclaims any and all liability arising out of the use or application of any product described herein or of any information provided herein to the maximum extent permitted by law. The product specifications do not expand or otherwise modify Vishay's terms and conditions of purchase, including but not limited to the warranty expressed therein, which apply to these products.

No license, express or implied, by estoppel or otherwise, to any intellectual property rights is granted by this document or by any conduct of Vishay.

The products shown herein are not designed for use in medical, life-saving, or life-sustaining applications unless otherwise expressly indicated. Customers using or selling Vishay products not expressly indicated for use in such applications do so entirely at their own risk and agree to fully indemnify Vishay for any damages arising or resulting from such use or sale. Please contact authorized Vishay personnel to obtain written terms and conditions regarding products designed for such applications.

Product names and markings noted herein may be trademarks of their respective owners.