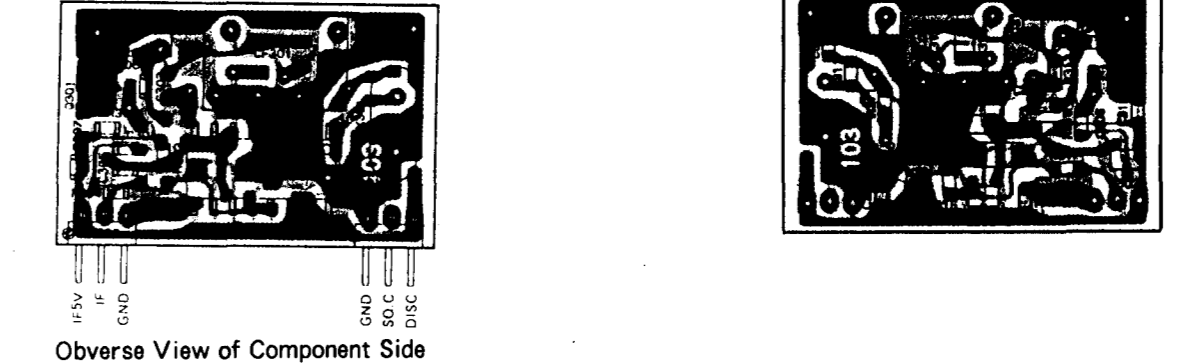
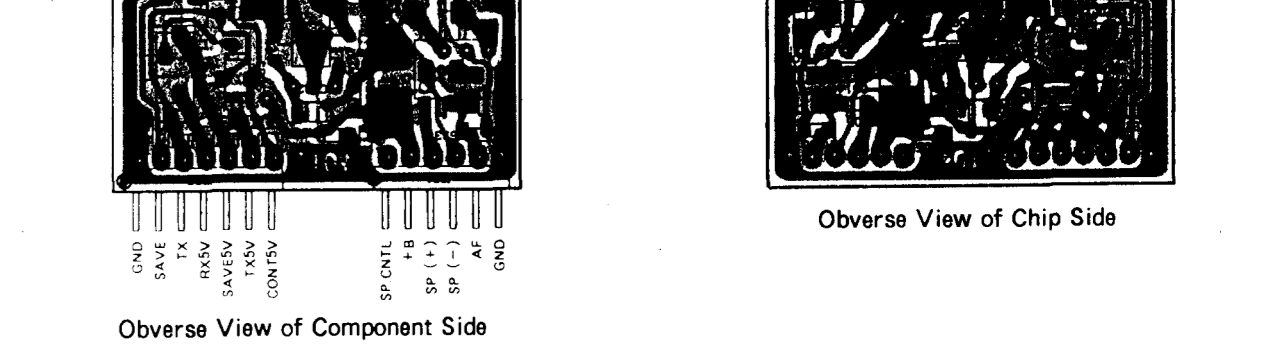


Parts Layout

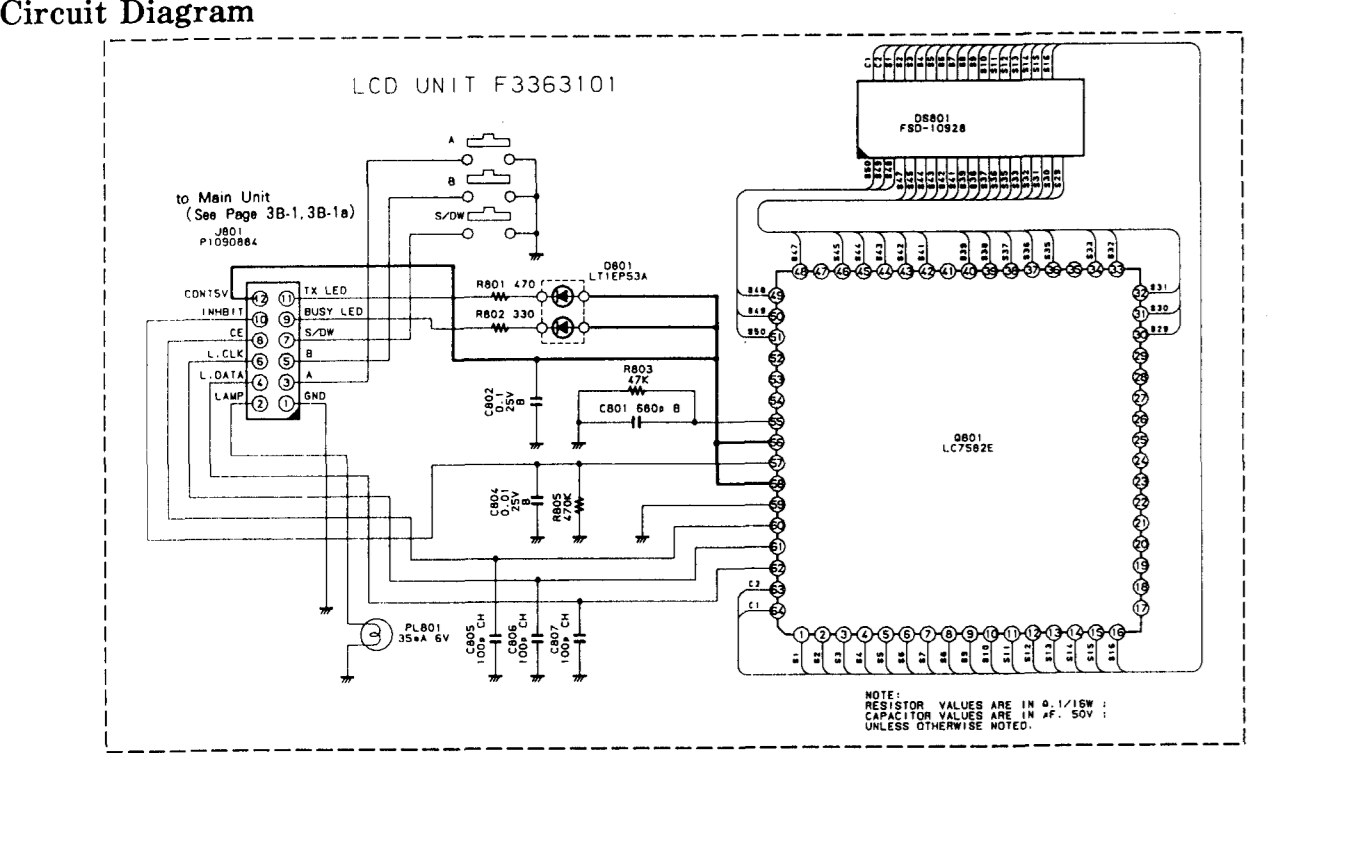


Parts Layout

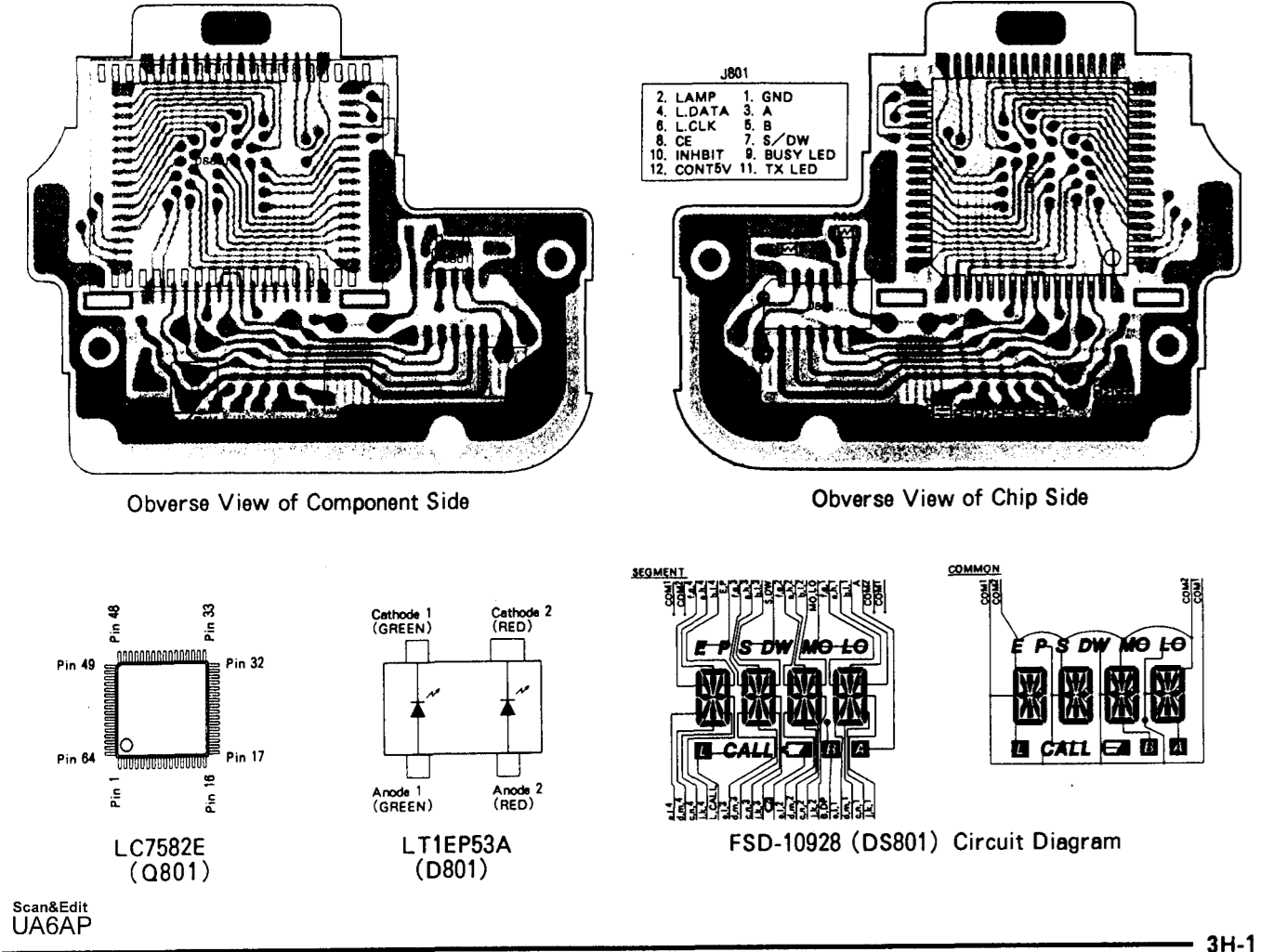


- 2SC4116GR (LG) (Q301)
- 2SA1586Y (SY) (Q303)
- MC3372DR (Q302)
- 2SA1586Y (SY) (Q303)
- 2SA1586Y (SY) (Q303)
- DA204U (K) (D302)
- DTA143XK (33) (Q605)
- TDA2822D0131R (Q606)
- TX11650UTL (50) (Q603)
- DTB123EK (F12) (Q604,609)
- DTC144EU (26) (Q607,608,610)

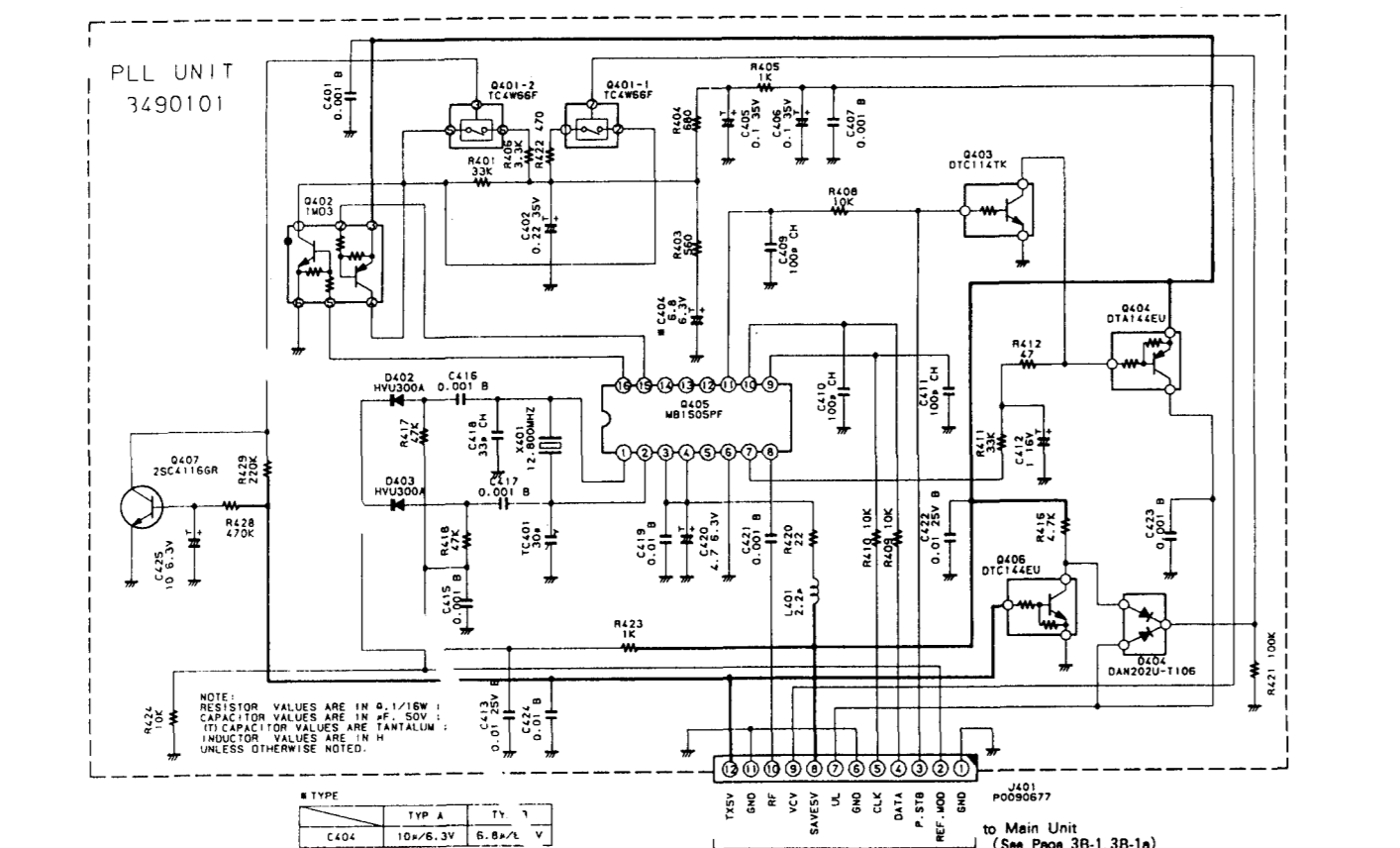
LCD Unit



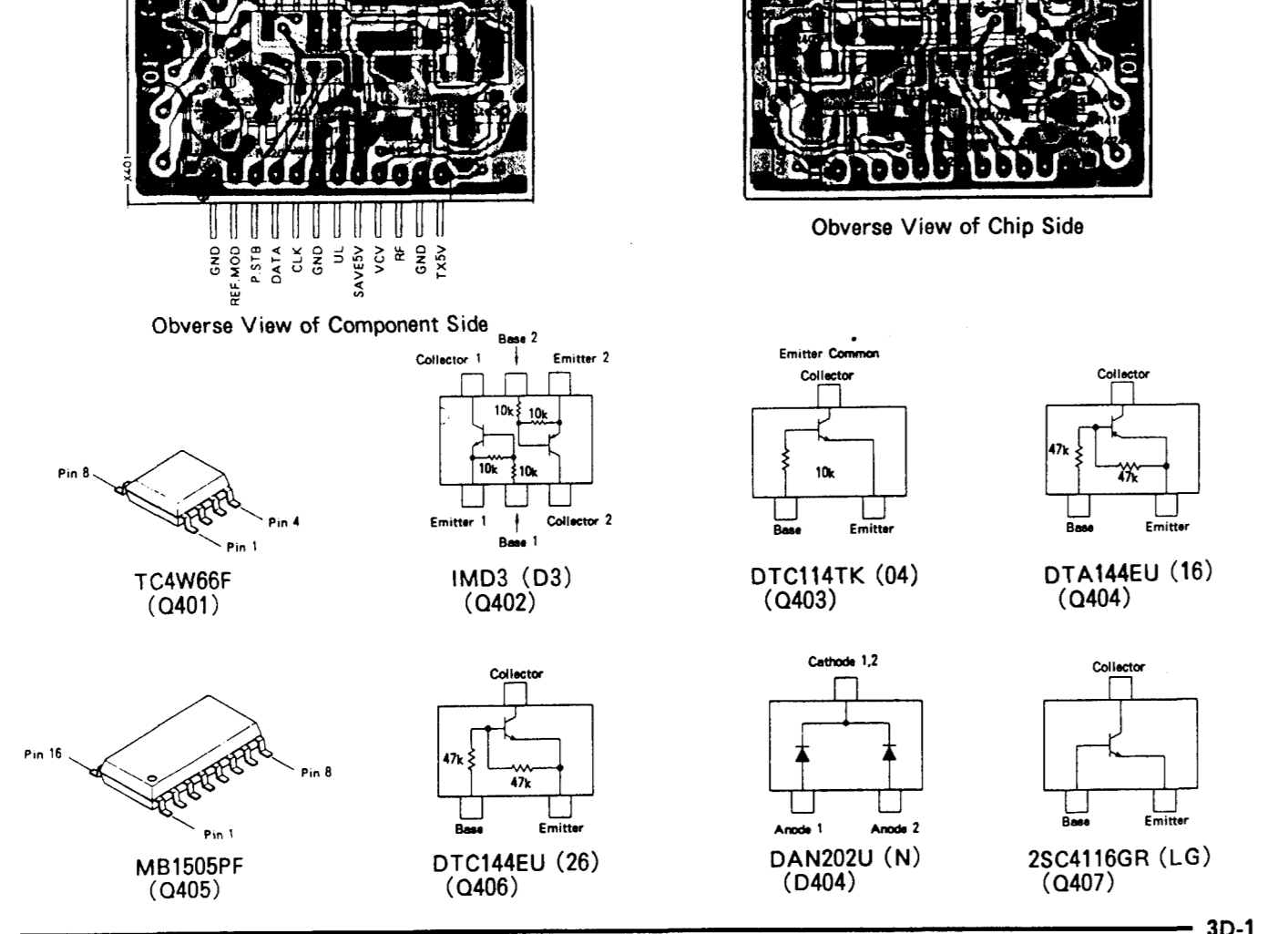
Parts Layout



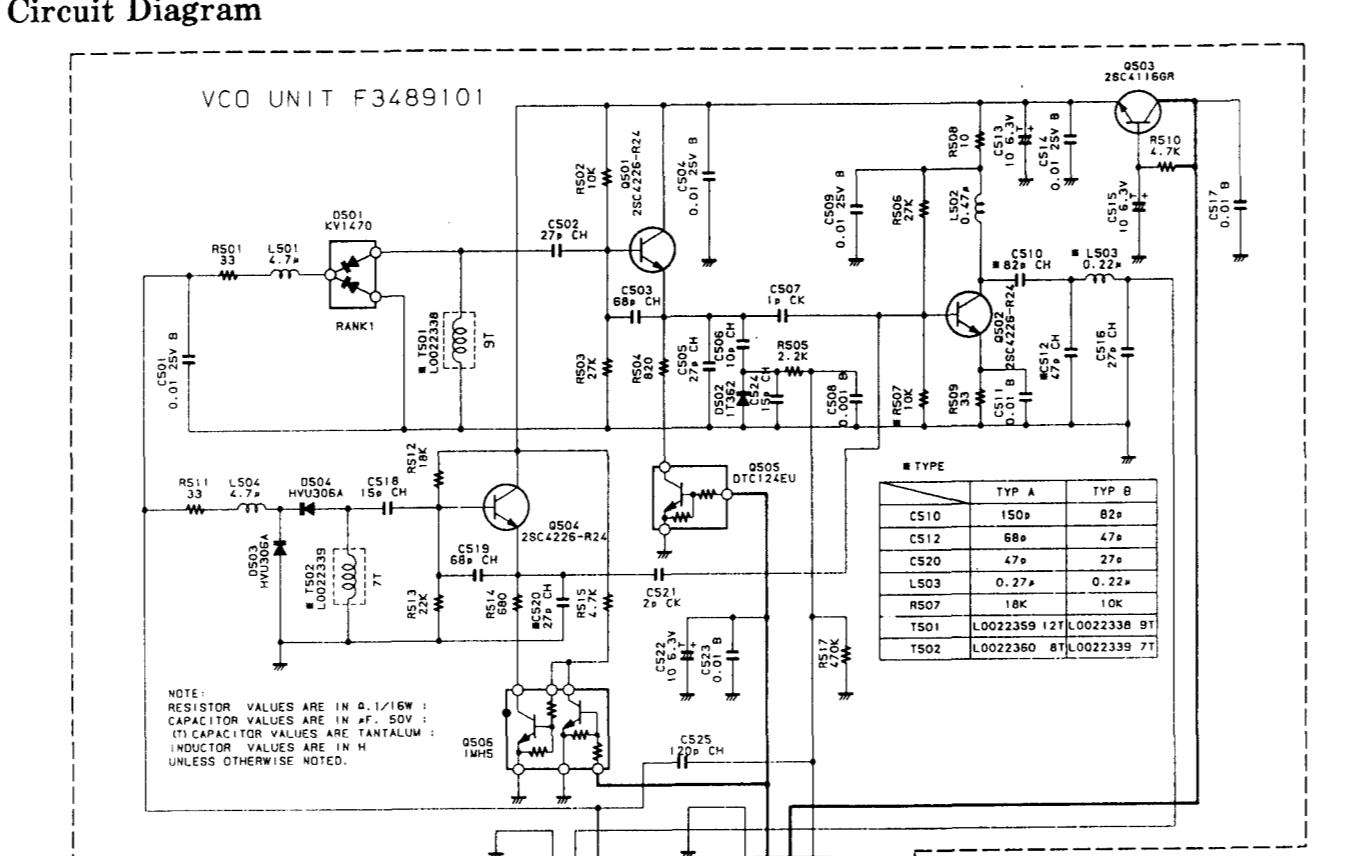
PLL Unit



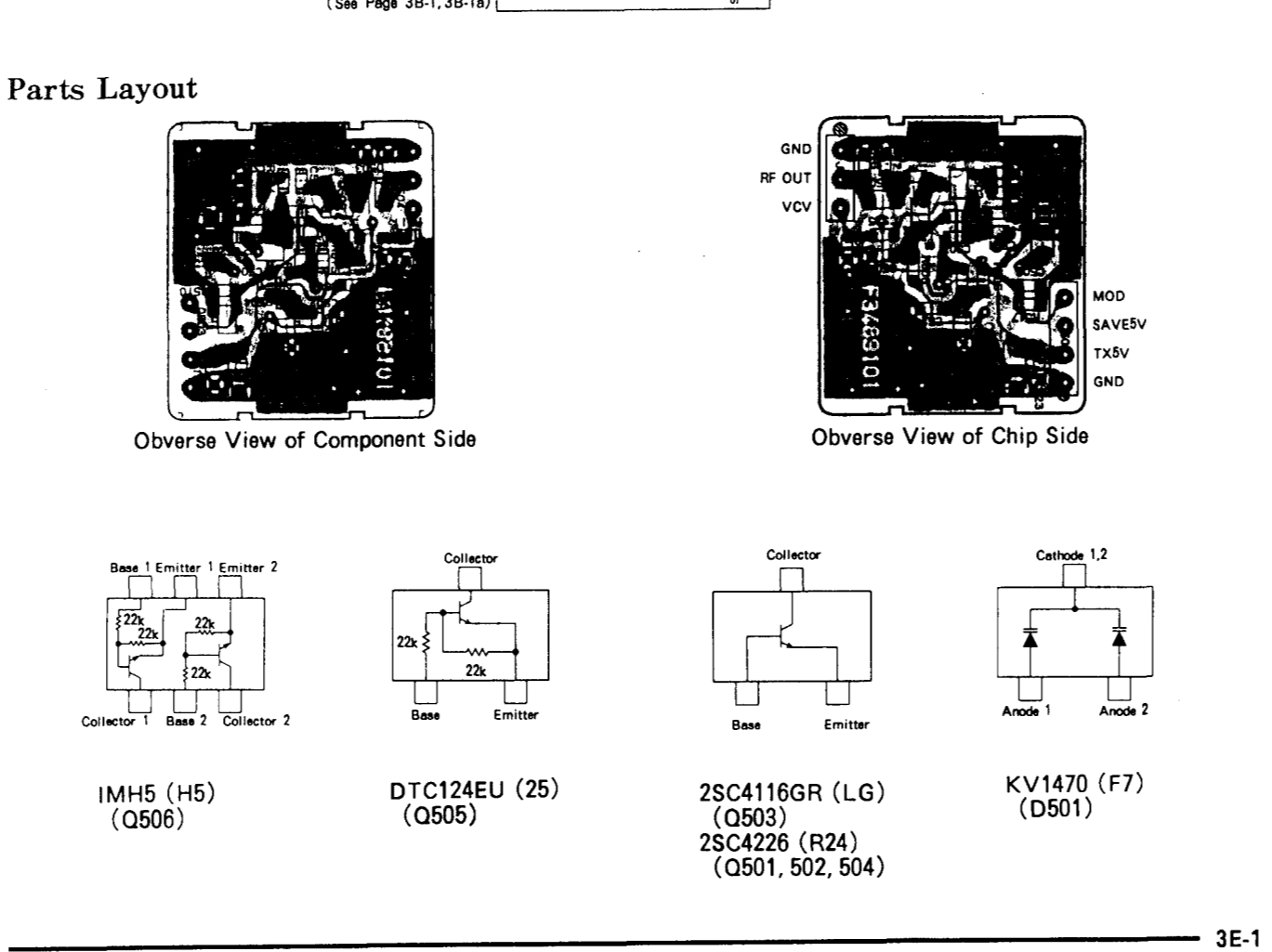
Parts Layout



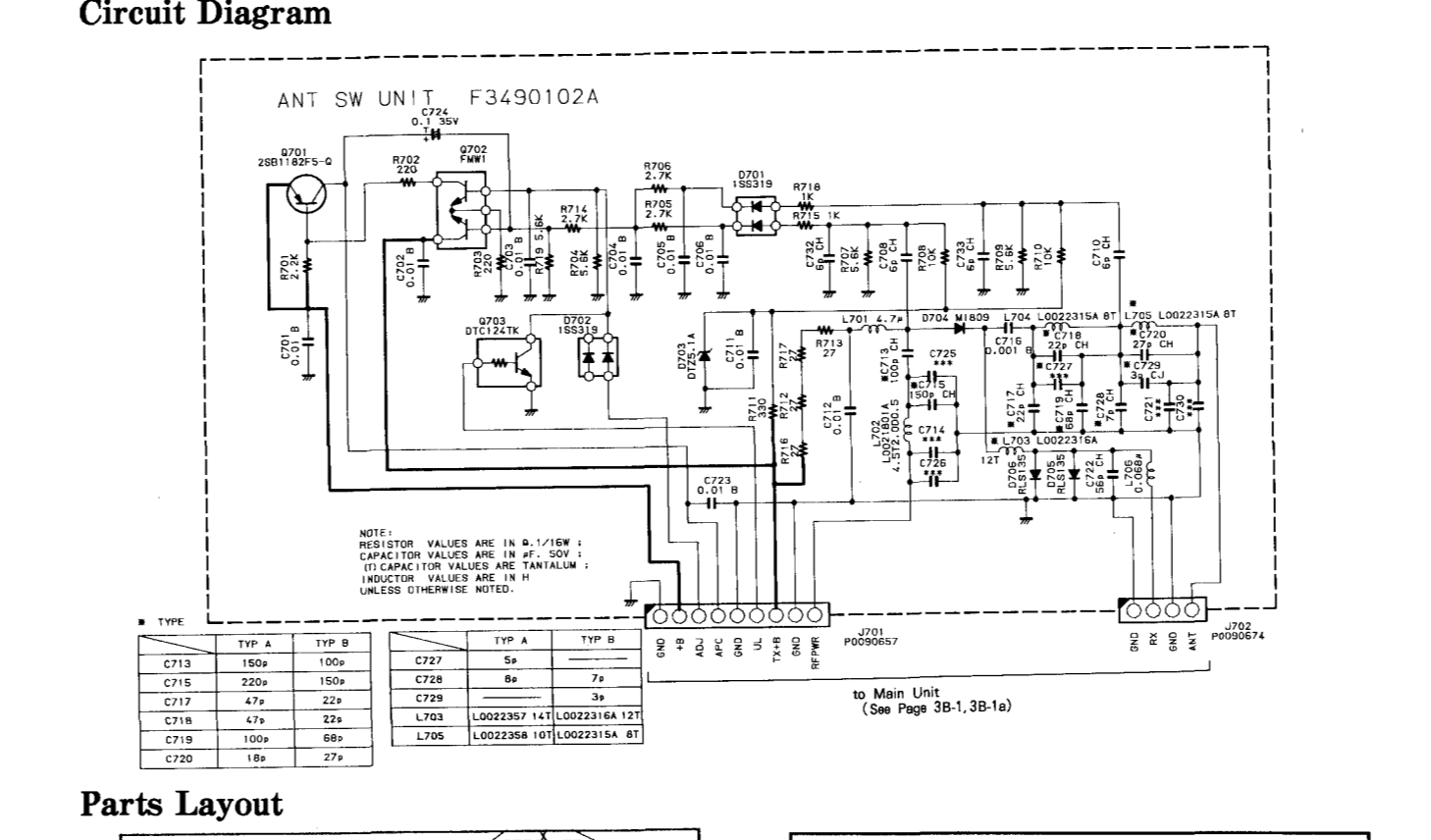
VCO Unit



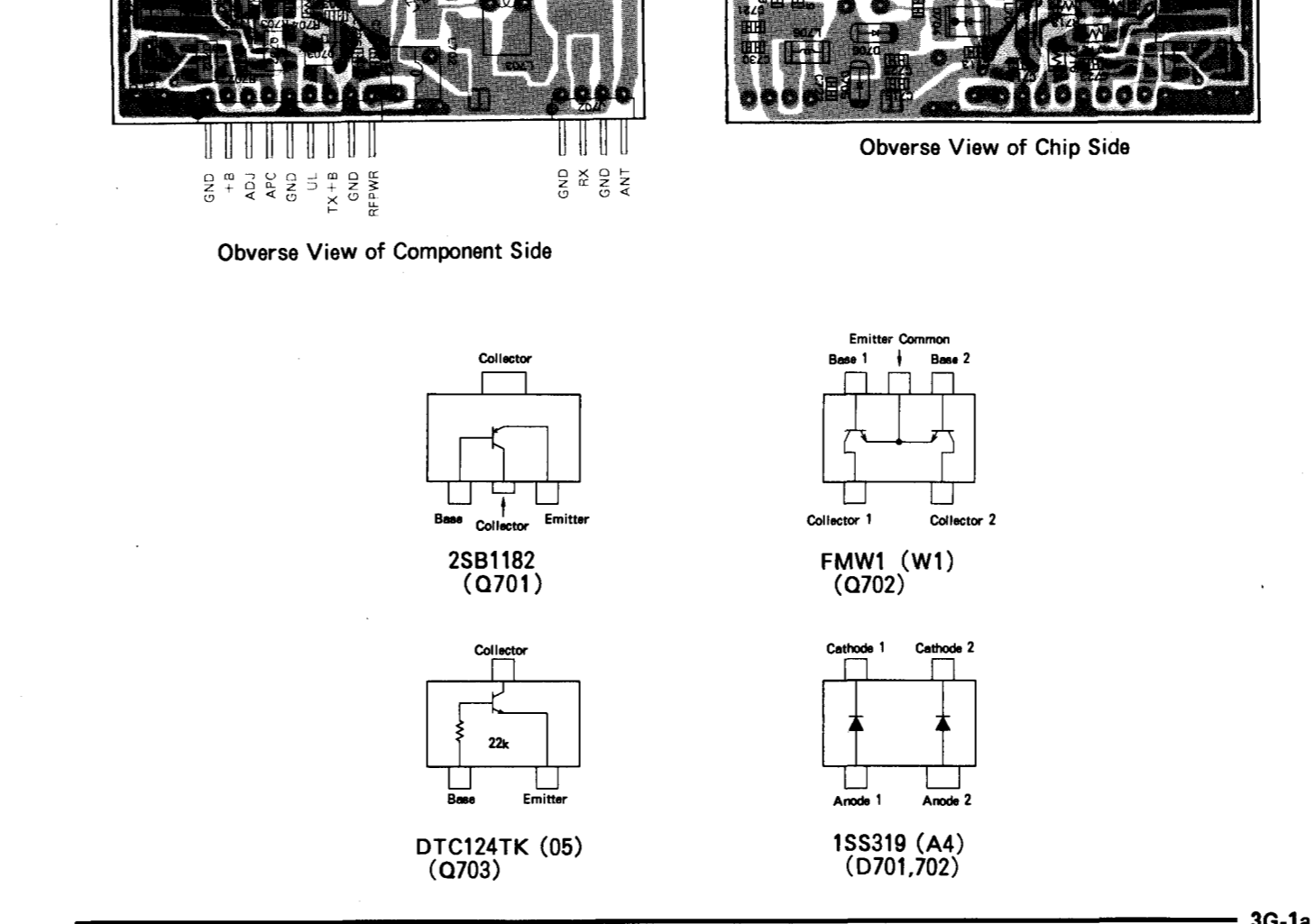
Parts Layout



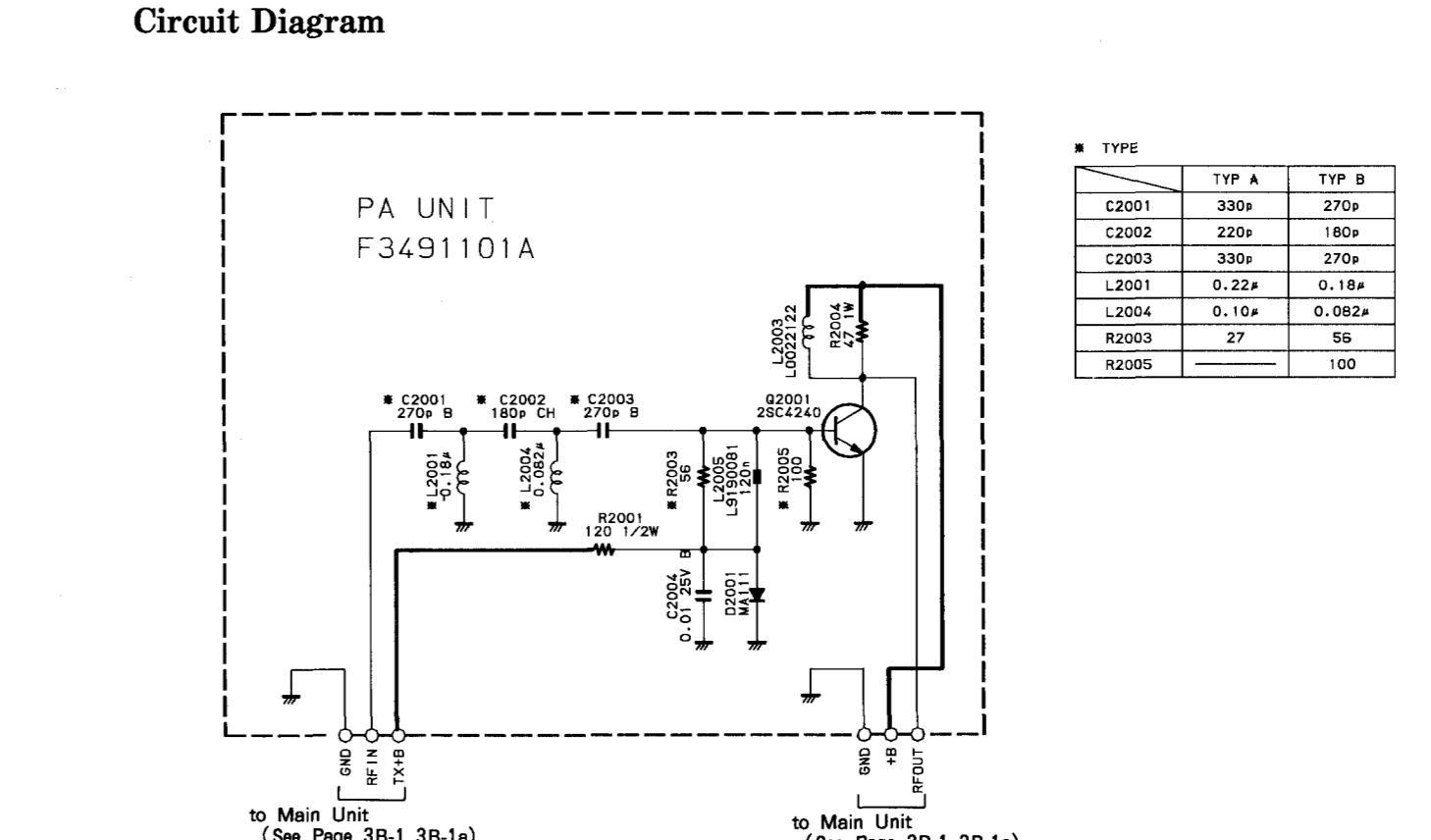
ANT-SW Unit



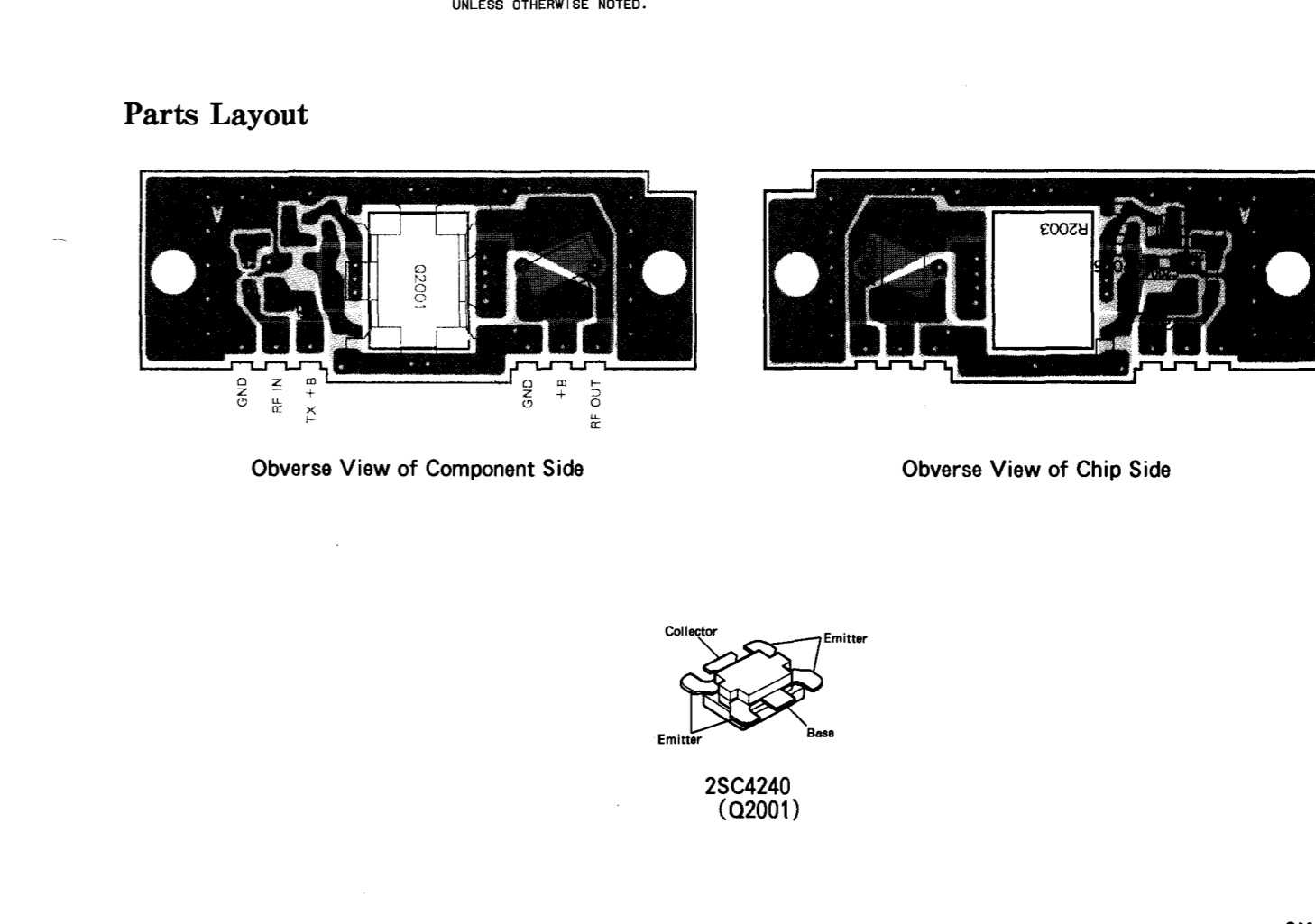
Parts Layout



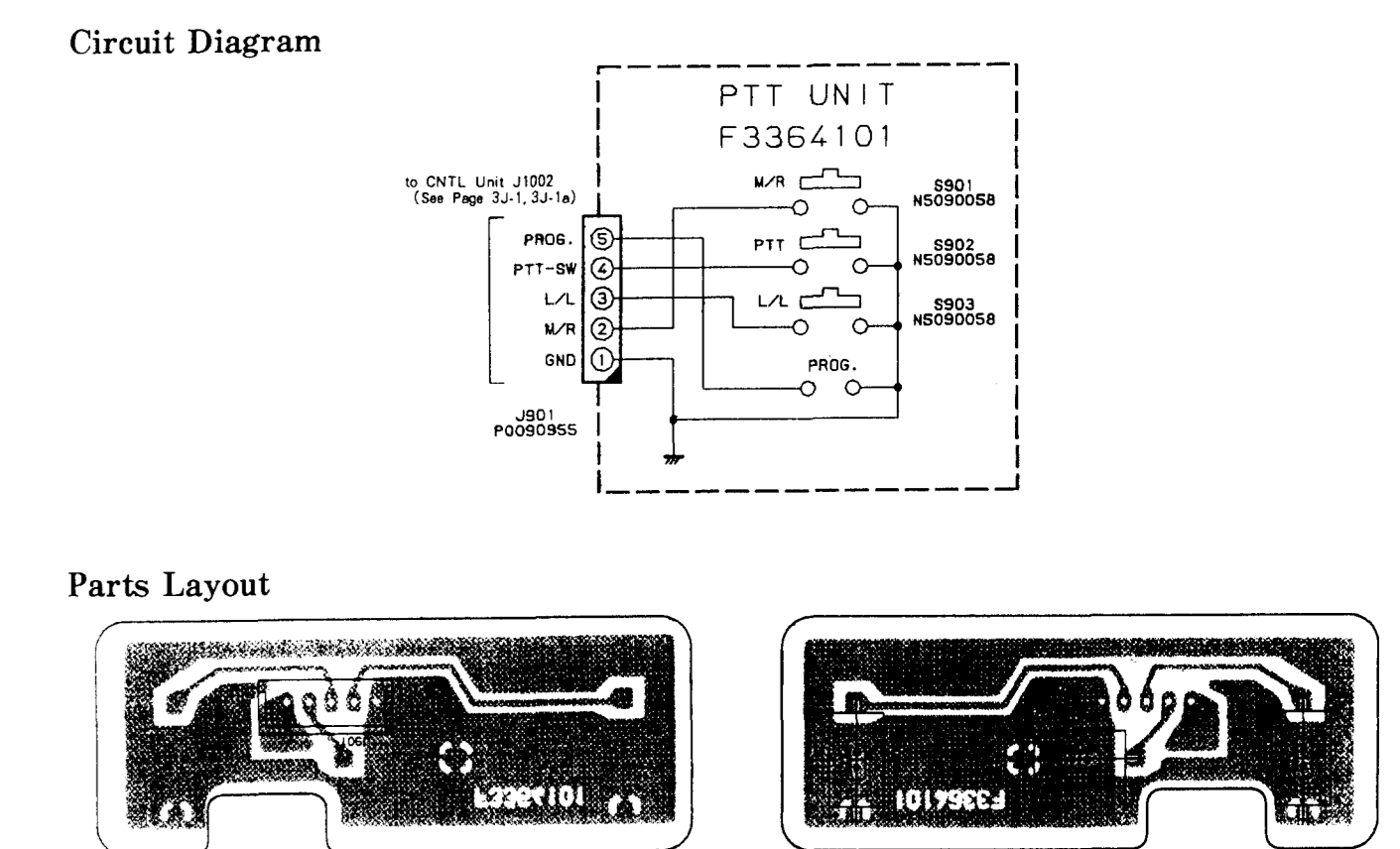
PA Unit



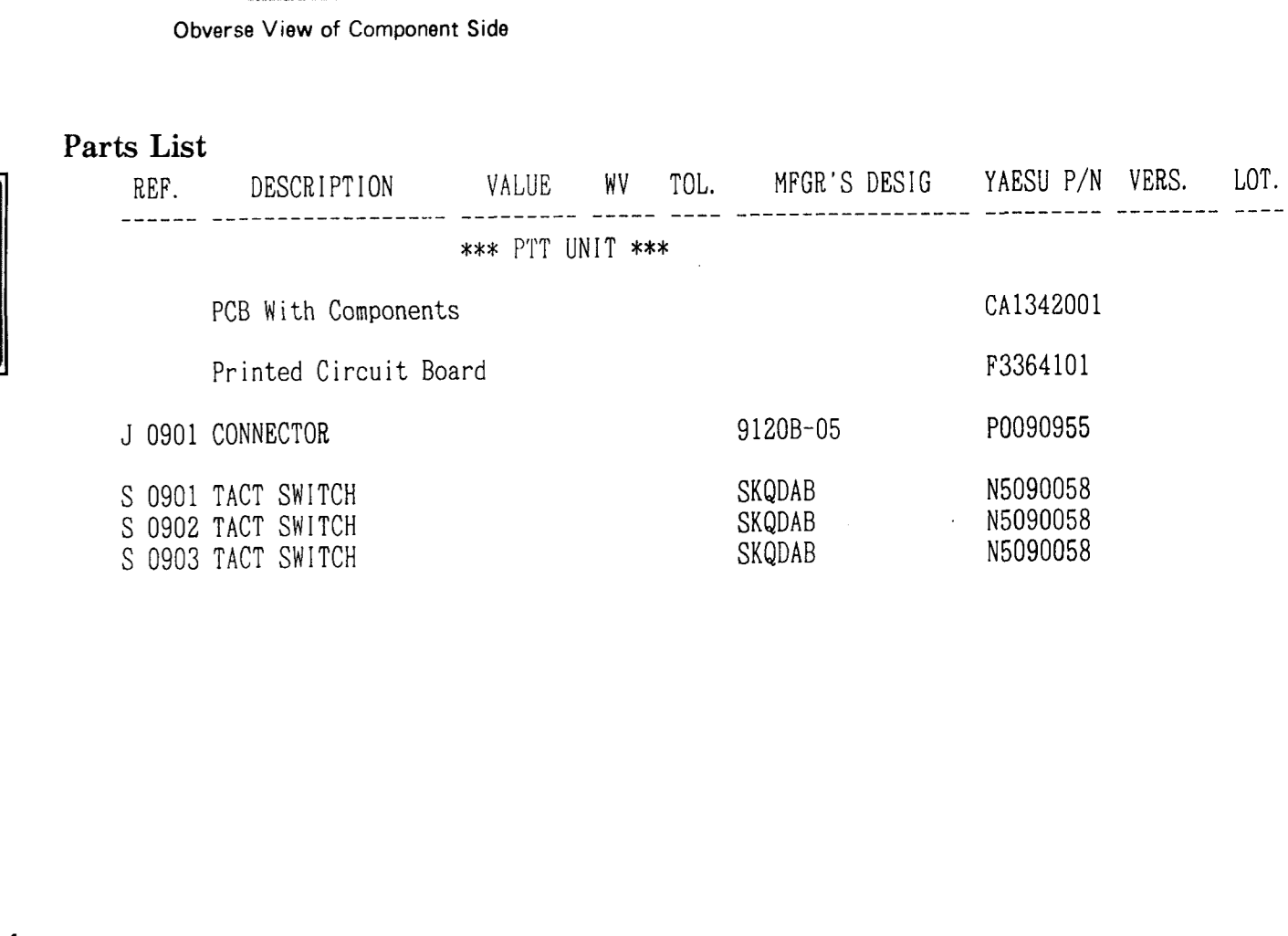
Parts Layout



PTT Unit



Parts Layout



Parts List

REF.	DESCRIPTION	VALUE	QTY	TOL.	MFGR'S DESIG	YAESU P/N	VER.	LOT.
*** PTT UNIT ***								
	PCB With Components					CA1342001		
	Printed Circuit Board					F3364101		
J 0901	CONNECTOR				9120B-05	P0090965		
S 0901	TACT SWITCH				SKQDAB	N5090059		
S 0902	TACT SWITCH				SKQDAB	N5090058		
S 0903	TACT SWITCH				SKQDAB	N5090058		