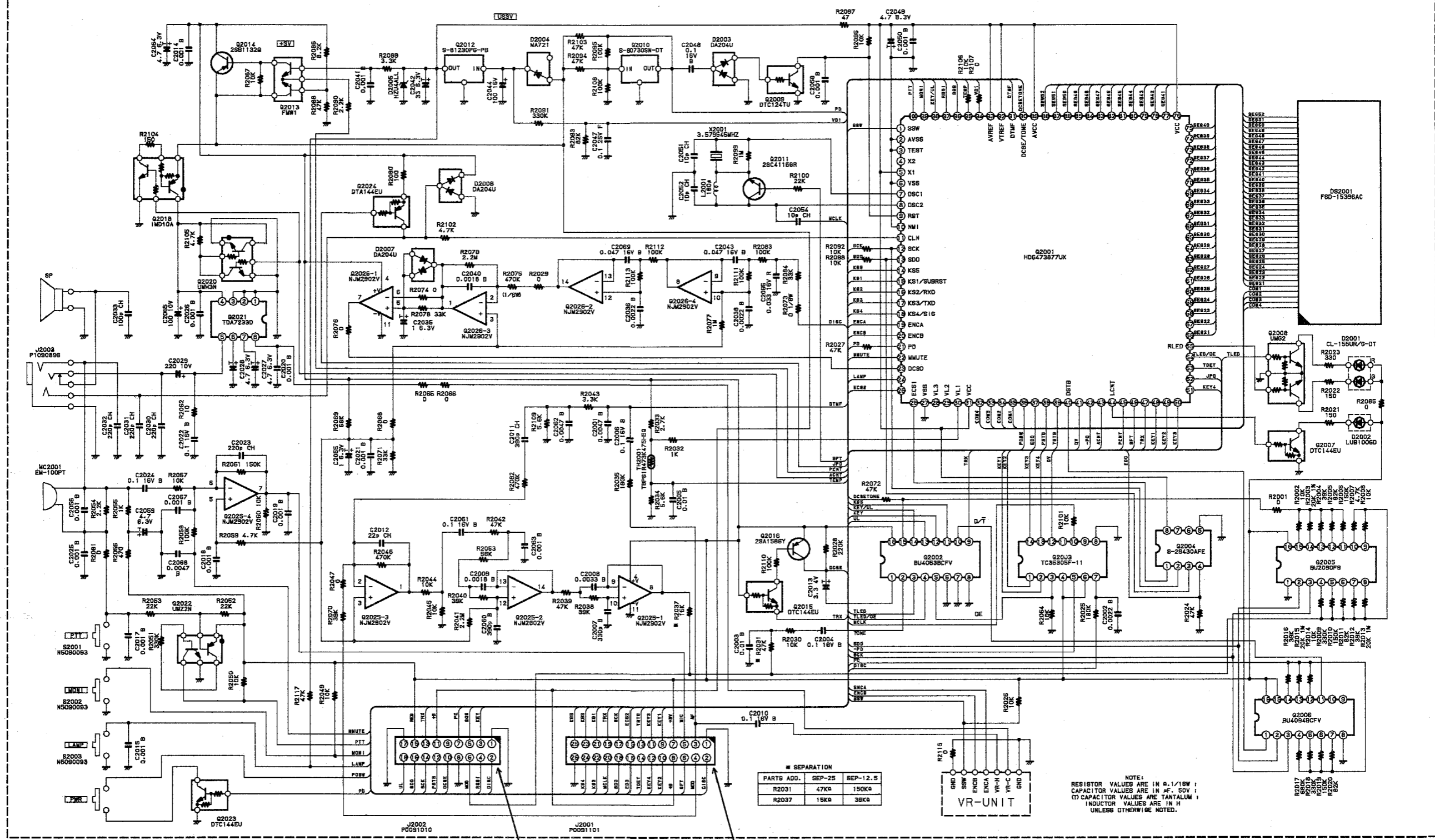


Circuit Diagram

CNTL-UNIT F3592101



To RF Unit J1002 (See Page 3A-1)

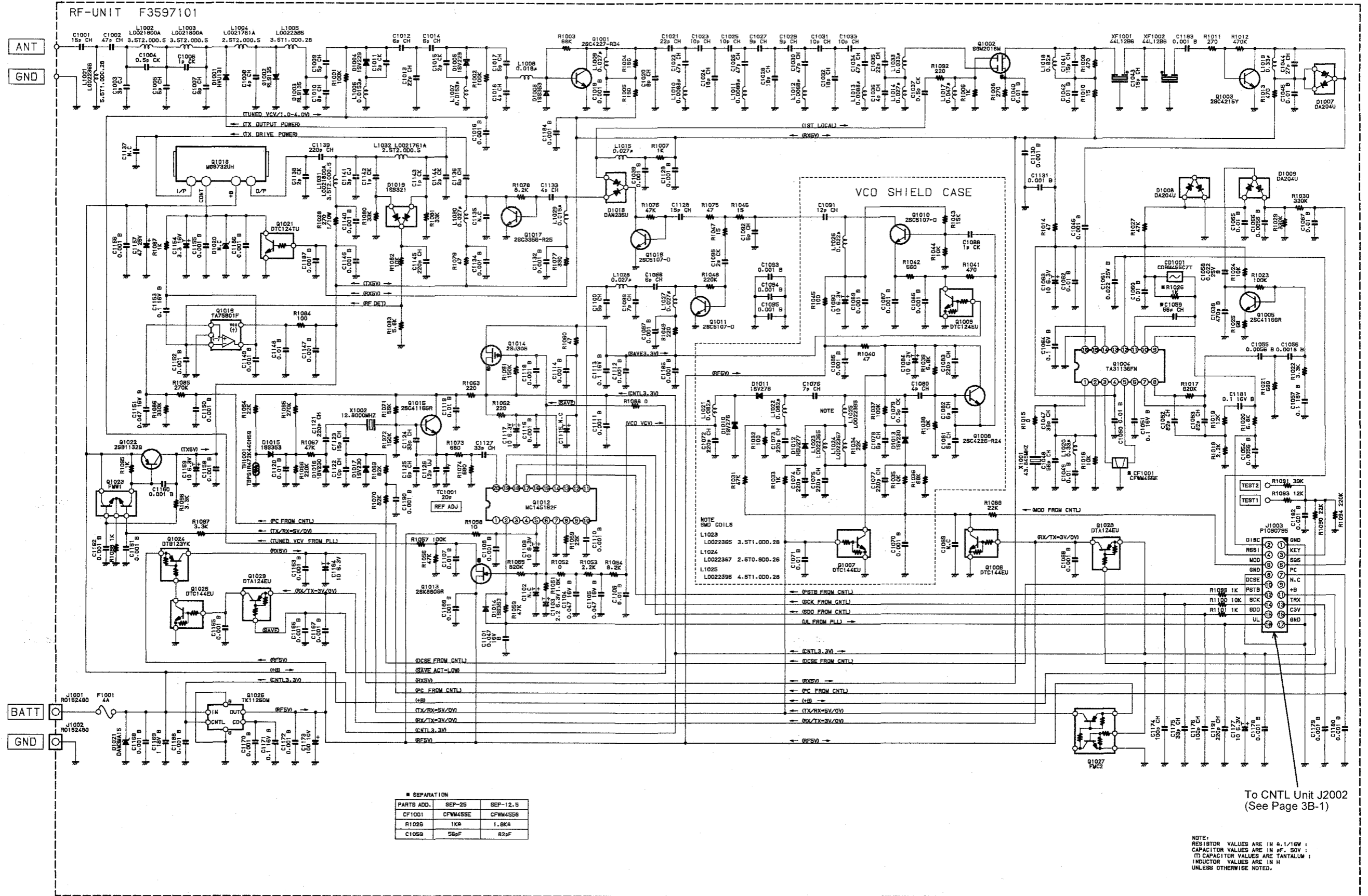
To Keypad Unit (See Page 3D-1,3E-1)

SEPARATION

PARTS ADD.	SEP-25	SEP-12,5
R2031	47K Ω	150K Ω
R2037	15K Ω	38K Ω

NOTE:
 RESISTOR VALUES ARE IN Ω , 1/16W;
 CAPACITOR VALUES ARE IN μ F, 50V;
 (D) CAPACITOR VALUES ARE TANTALUM;
 INDUCTOR VALUES ARE IN H
 UNLESS OTHERWISE NOTED.

Circuit Diagram



SEPARATION

PARTS ADD.	SEP-25	SEP-12, 5
CF1001	CFW455E	CFW455E
R1026	1K	1.6K
C1059	56pF	82pF

NOTE:
RESISTOR VALUES ARE IN Ω, 1/10Ω;
CAPACITOR VALUES ARE IN P, 50V;
(T) CAPACITOR VALUES ARE TANTALUM;
INDUCTOR VALUES ARE IN H
UNLESS OTHERWISE NOTED.

To CNTL Unit J2002
(See Page 3B-1)