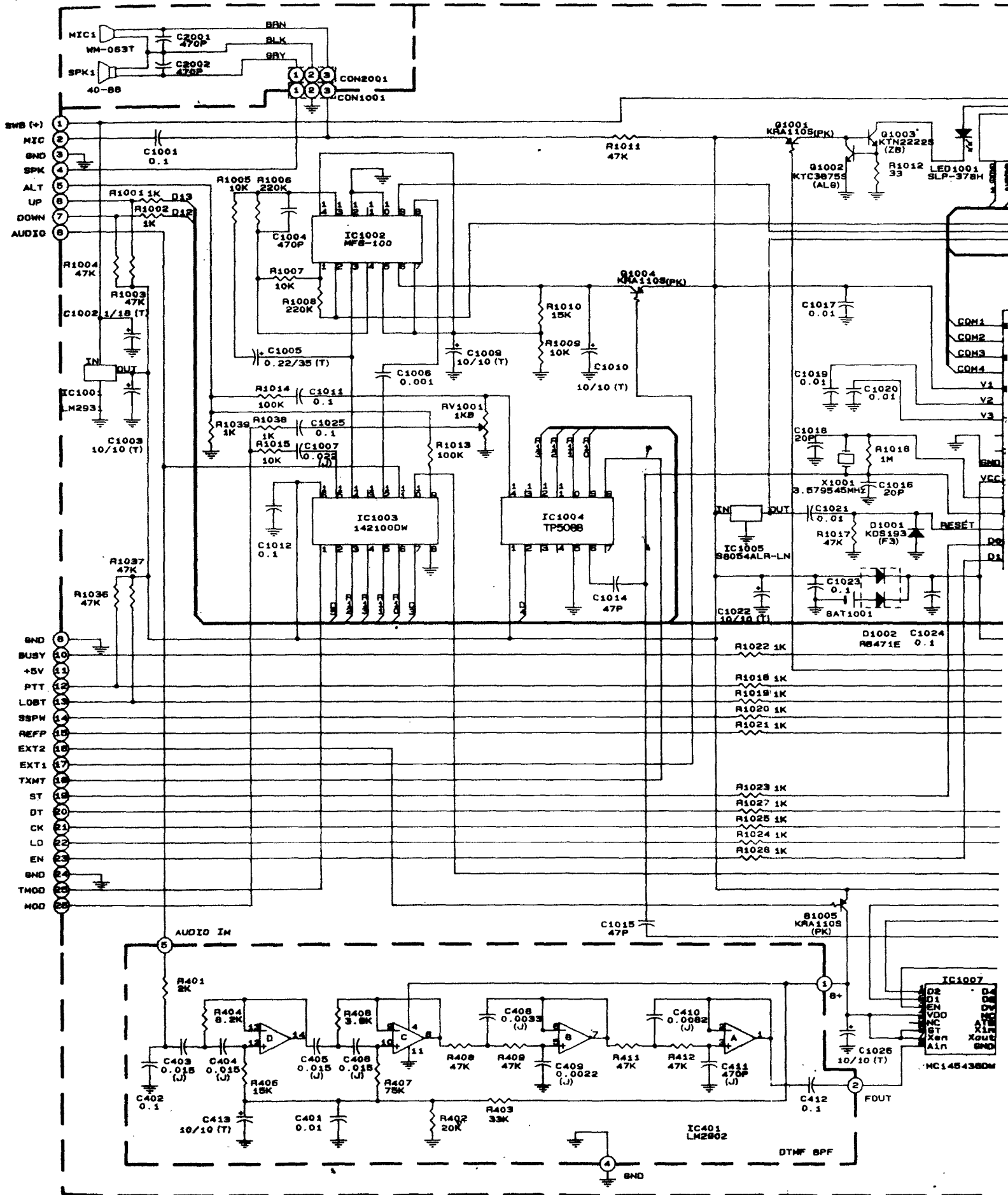
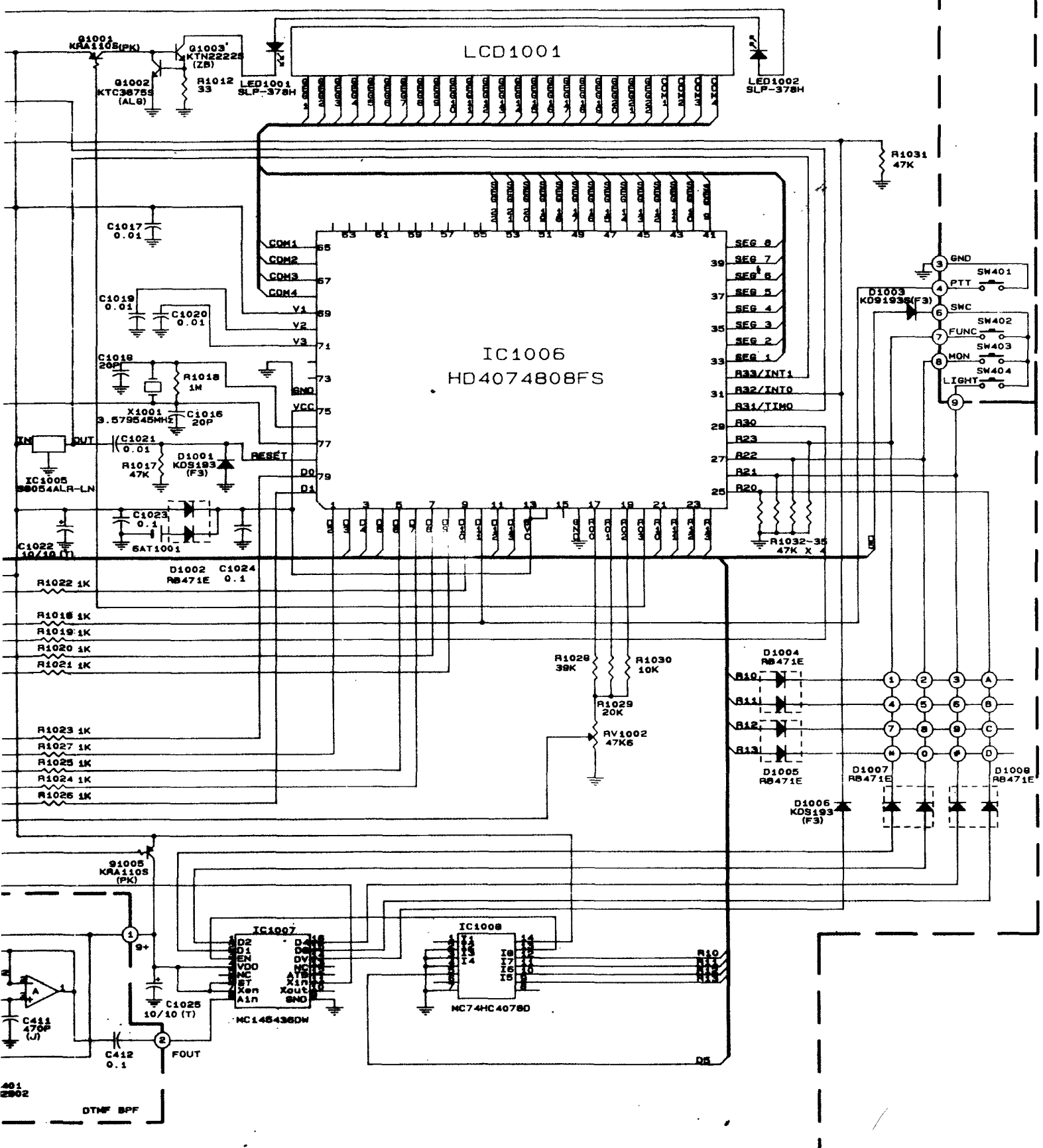


SCHEMATIC DIAGRAM





EMATIC DIAGRAM

