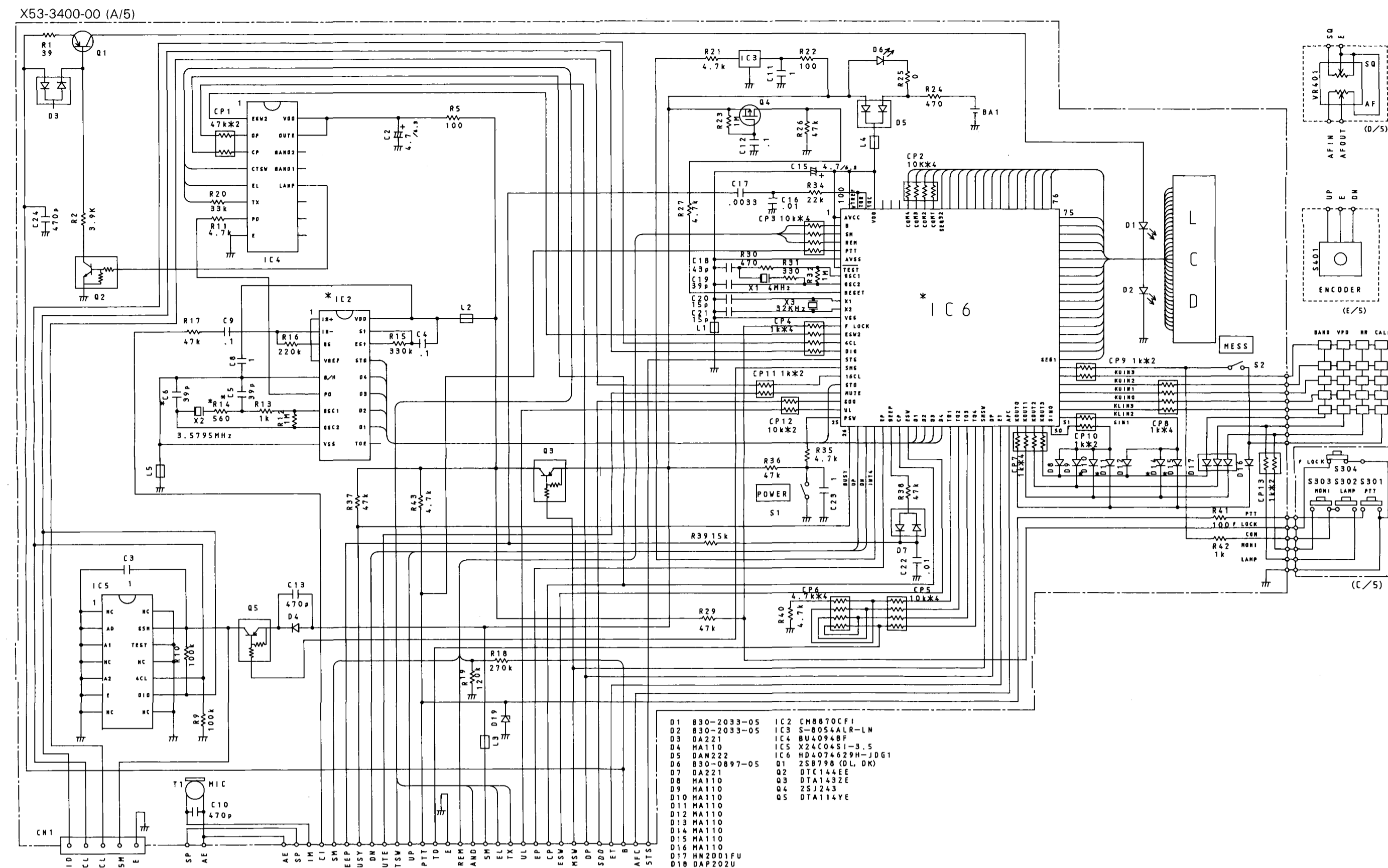
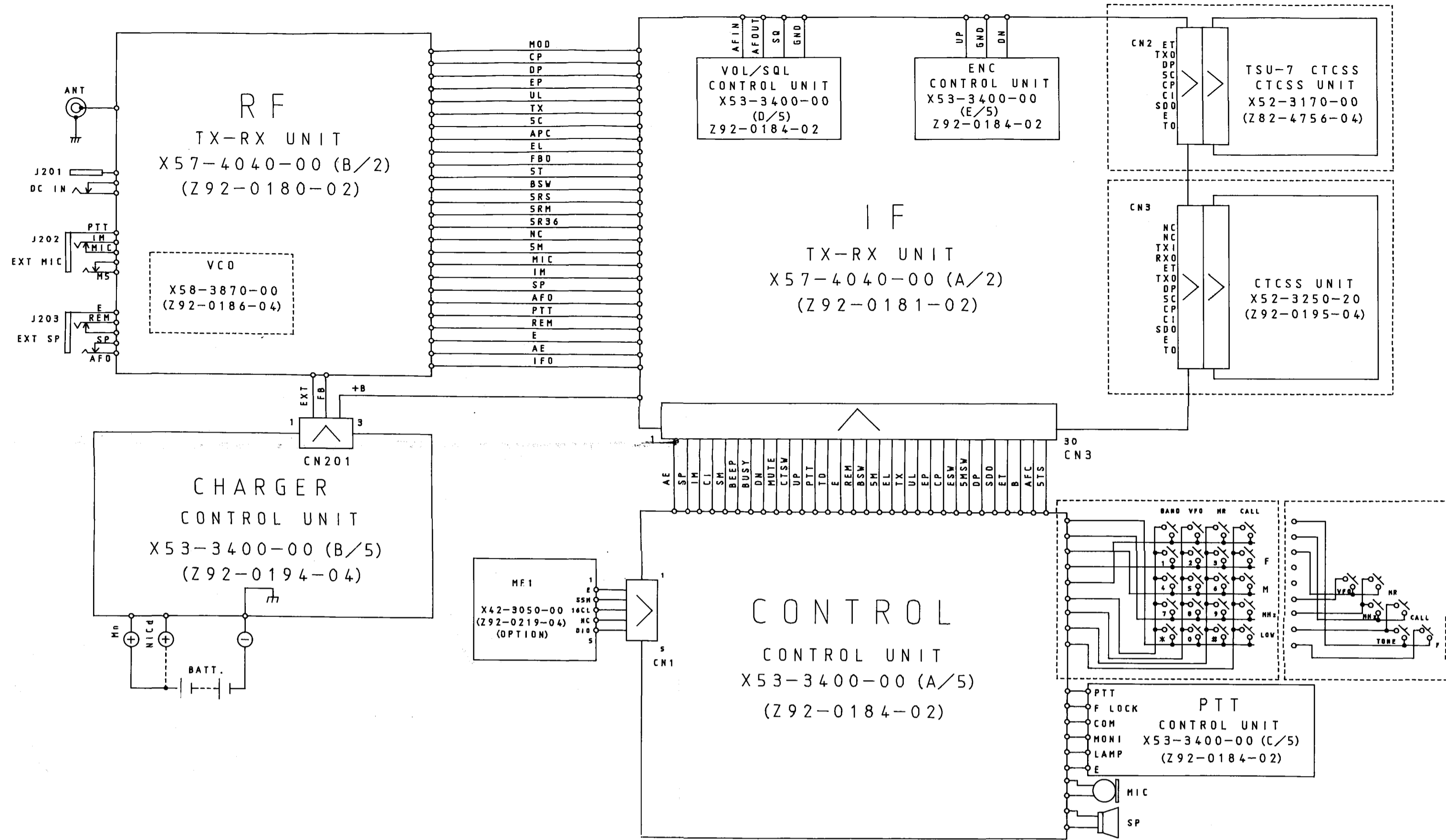
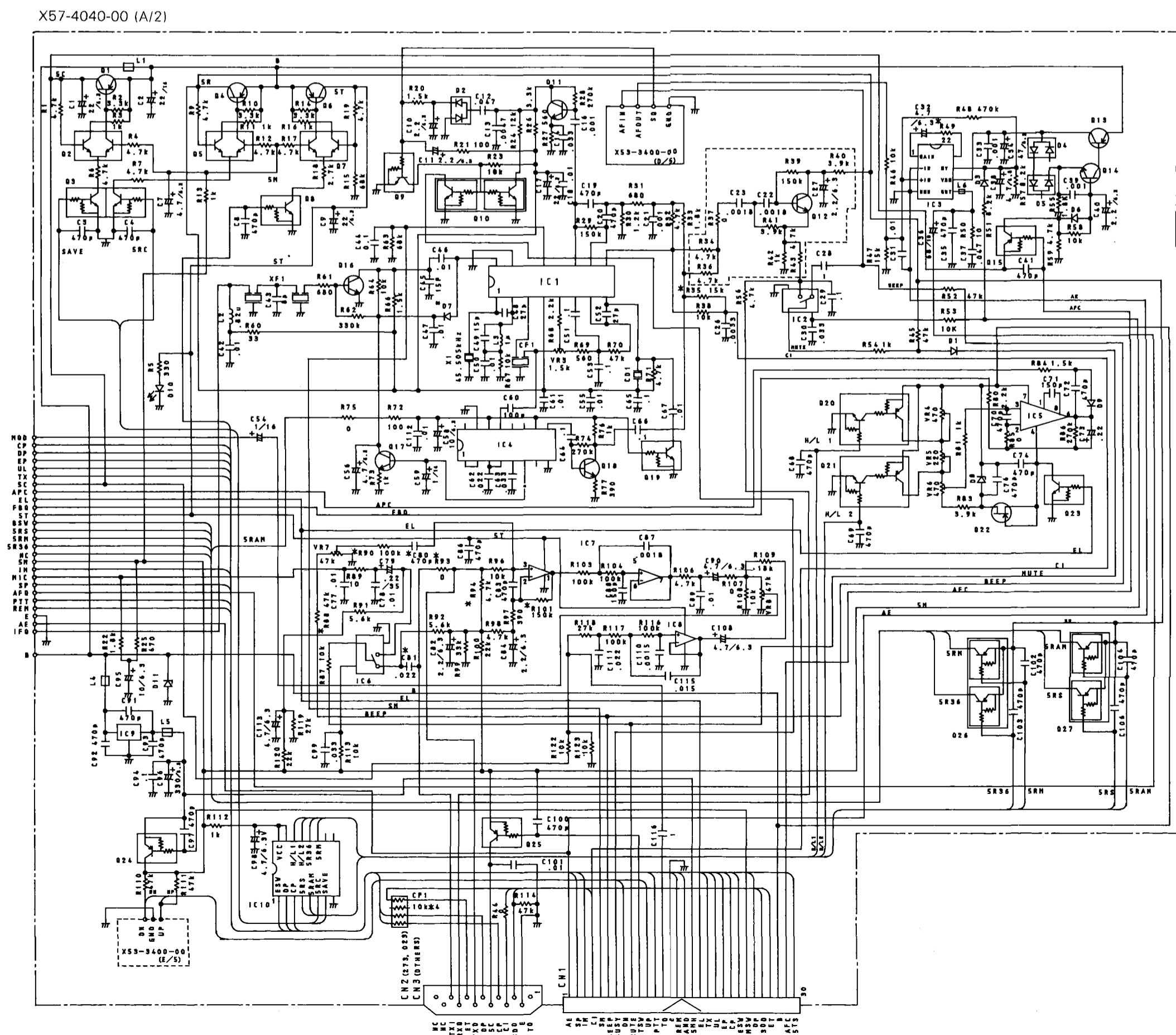


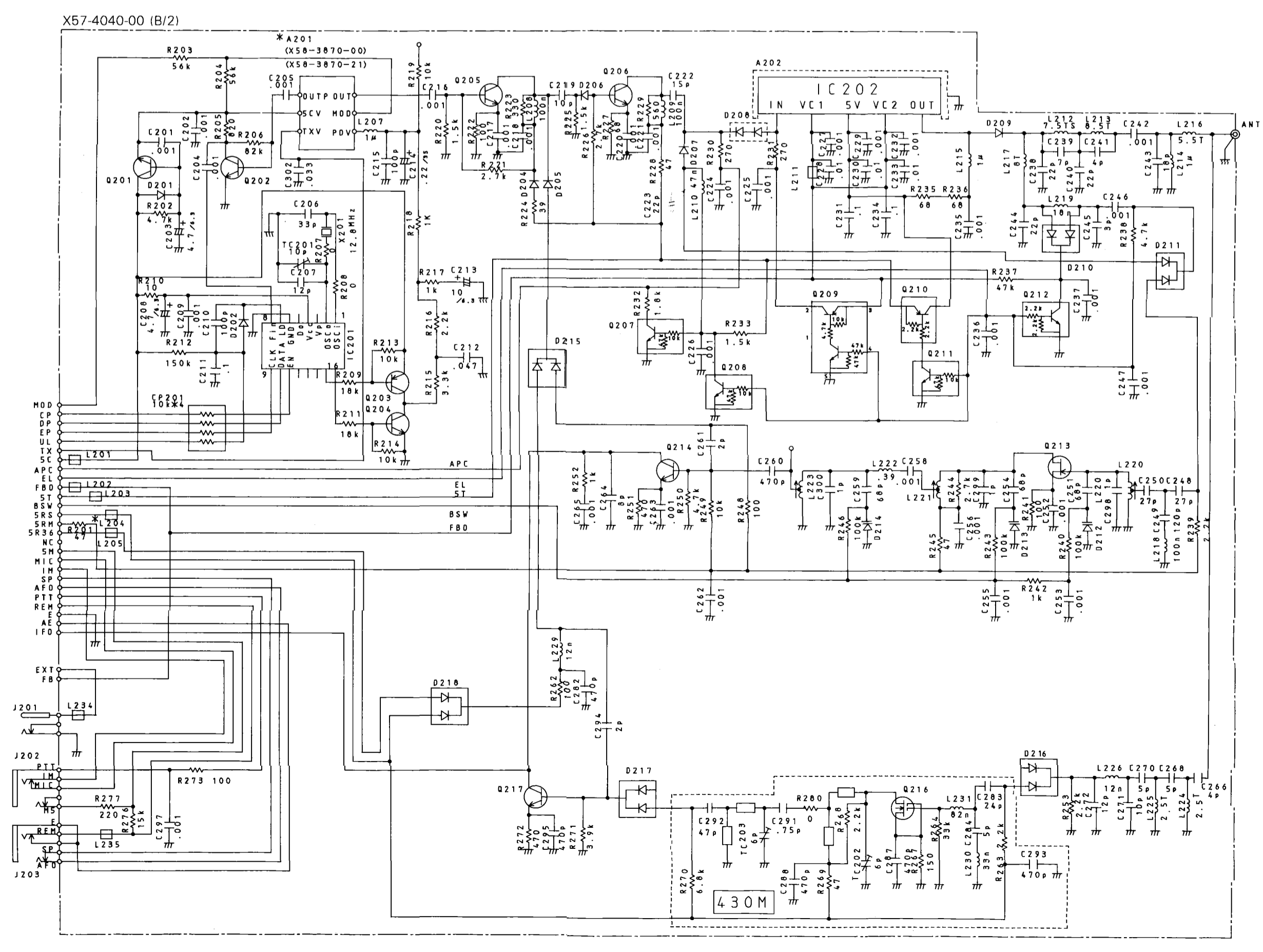
# TH-28A/E SCHEMATIC DIAGRAM



TH-28/TH-48 2/3



- 01 HA110
- 02 HA112
- 03 HA113
- 04 HA114
- 05 HA115
- 06 HA116
- 07 HA117
- 08 HA118
- 09 HA119
- 10 HA120
- 11 HA121
- 12 HA122
- 13 HA123
- 14 HA124
- 15 HA125
- 16 HA126
- 17 HA127
- 18 HA128
- 19 HA129
- 20 HA130
- 21 HA131
- 22 HA132
- 23 HA133
- 24 HA134
- 25 HA135
- 26 HA136
- 27 HA137
- 28 HA138
- 29 HA139
- 30 HA140
- 31 HA141
- 32 HA142
- 33 HA143
- 34 HA144
- 35 HA145
- 36 HA146
- 37 HA147
- 38 HA148
- 39 HA149
- 40 HA150
- 41 HA151
- 42 HA152
- 43 HA153
- 44 HA154
- 45 HA155
- 46 HA156
- 47 HA157
- 48 HA158
- 49 HA159
- 50 HA160
- 51 HA161
- 52 HA162
- 53 HA163
- 54 HA164
- 55 HA165
- 56 HA166
- 57 HA167
- 58 HA168
- 59 HA169
- 60 HA170
- 61 HA171
- 62 HA172
- 63 HA173
- 64 HA174
- 65 HA175
- 66 HA176
- 67 HA177
- 68 HA178
- 69 HA179
- 70 HA180
- 71 HA181
- 72 HA182
- 73 HA183
- 74 HA184
- 75 HA185
- 76 HA186
- 77 HA187
- 78 HA188
- 79 HA189
- 80 HA190
- 81 HA191
- 82 HA192
- 83 HA193
- 84 HA194
- 85 HA195
- 86 HA196
- 87 HA197
- 88 HA198
- 89 HA199
- 90 HA200
- 91 HA201
- 92 HA202
- 93 HA203
- 94 HA204
- 95 HA205
- 96 HA206
- 97 HA207
- 98 HA208
- 99 HA209
- 100 HA210



Note: Circuit is subject to change without notice due to advancements in technology.