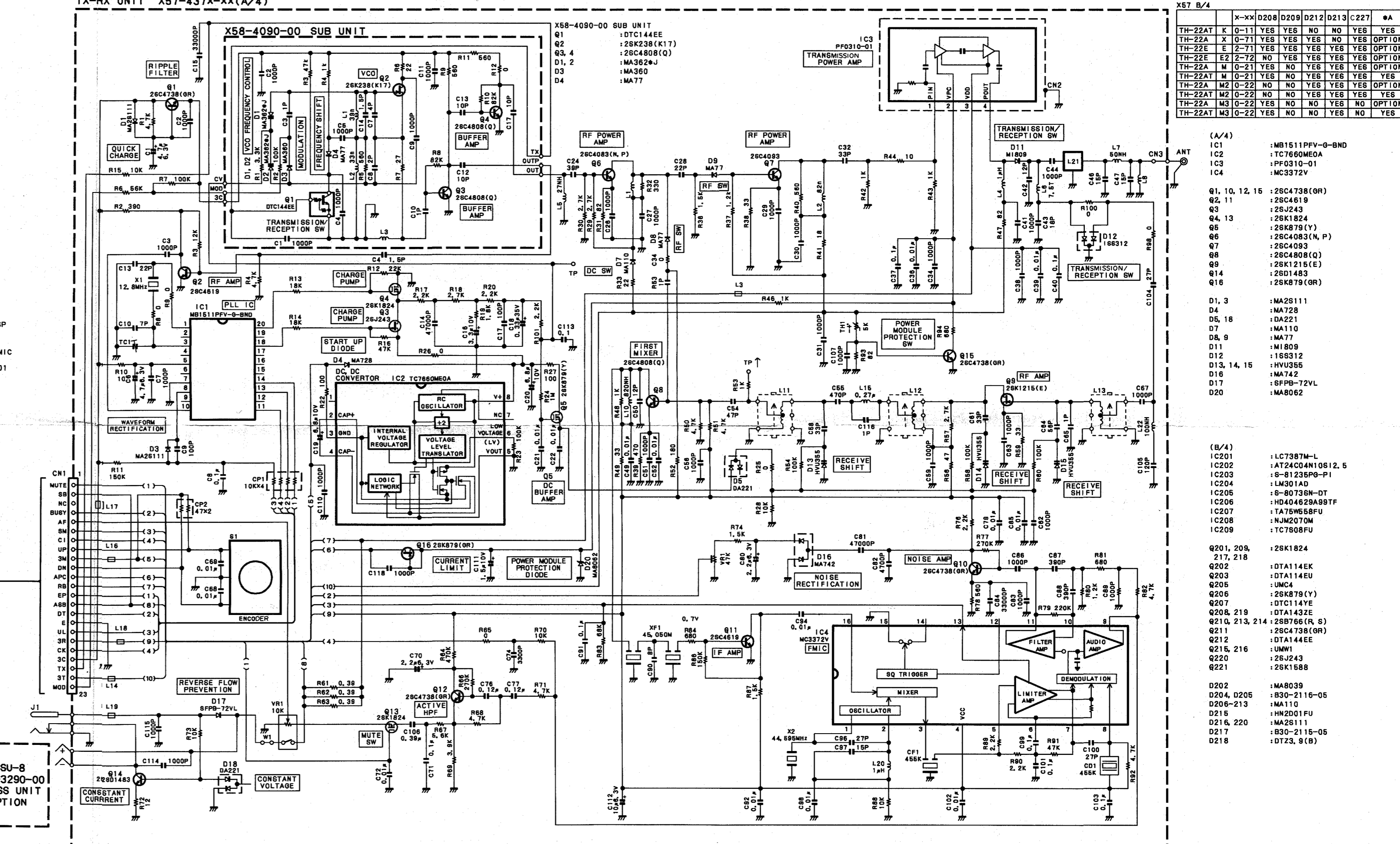
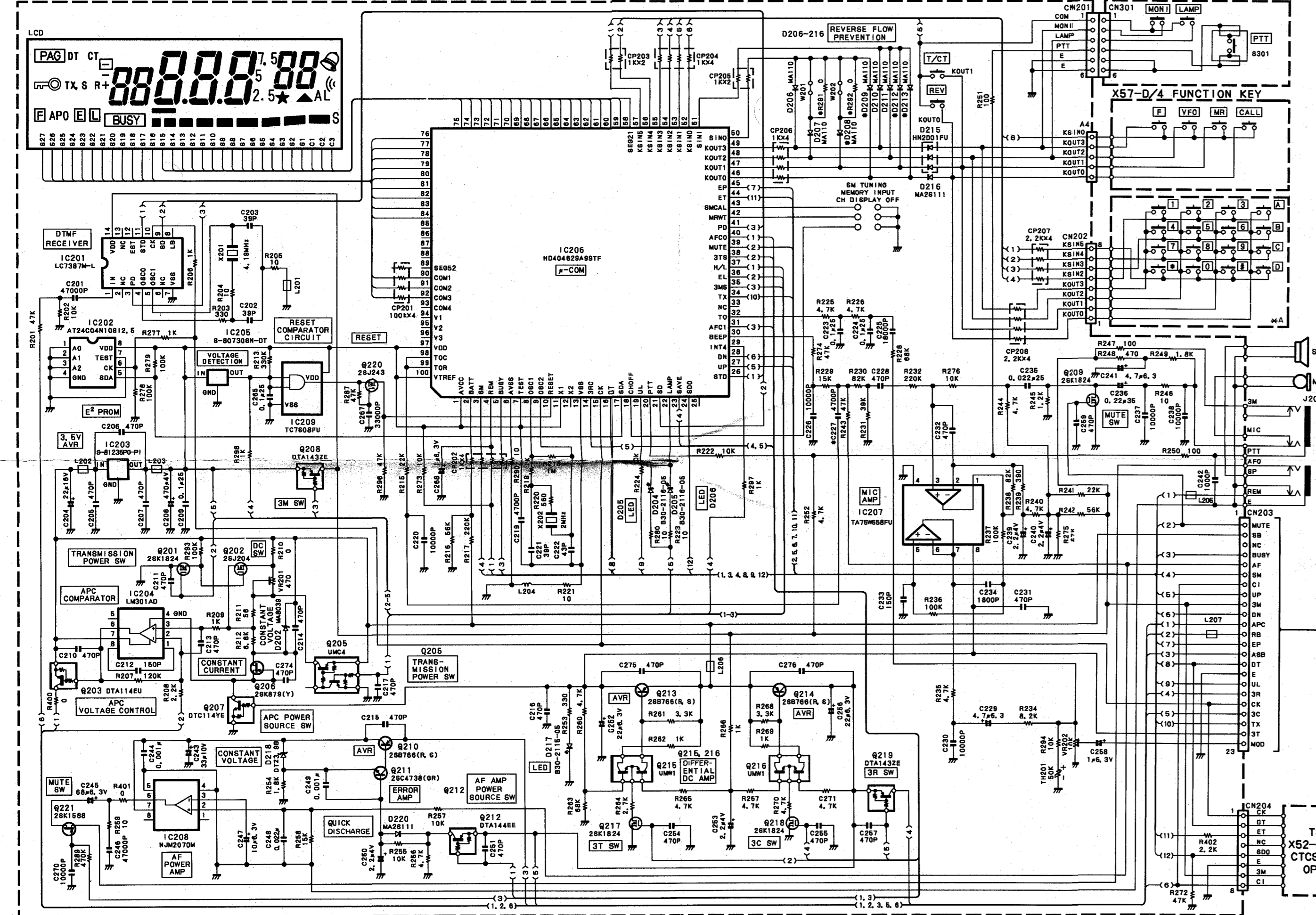


TH-22A/22AT/22E SCHEMATIC DIAGRAM



TH-22A	K	0-11	YES	YES	NO	NO	YES	YES
TH-22A	X	0-71	YES	YES	YES	YES	YES	OPTION
TH-22E	E	2-71	YES	YES	YES	YES	YES	OPTION
TH-22A	E2	2-72	NO	YES	YES	YES	YES	OPTION
TH-22A	M	0-21	YES	NO	YES	YES	YES	OPTION
TH-22AT	M	0-21	YES	NO	YES	YES	YES	OPTION
TH-22A	M2	0-22	NO	NO	YES	YES	YES	OPTION
TH-22AT	M2	0-22	NO	NO	YES	YES	YES	OPTION
TH-22A	M3	0-22	YES	NO	NO	YES	NO	OPTION
TH-22AT	M3	0-22	YES	NO	NO	YES	NO	OPTION

- (A/4)
- IC1 : MB1511PFV-G-BND
 - IC2 : TC760ME0A
 - IC3 : PF0310-01
 - IC4 : MC3372V
 - Q1, 10, 12, 15 : 28C4738(OR)
 - Q2, 11 : 28C4619
 - Q3 : 28J243
 - Q4, 13 : 28K1824
 - Q5 : 28K879(Y)
 - Q6 : 28C4083(N, P)
 - Q7 : 28C4093
 - Q8 : 28C4808(Q)
 - Q9 : 28K1215(E)
 - Q14 : 28S1483
 - Q16 : 28K879(OR)
 - D1, 3 : MA28111
 - D4 : MA728
 - D5, 18 : DA221
 - D7 : MA110
 - D8, 9 : MA77
 - D11 : MI809
 - D12 : 168312
 - D13, 14, 15 : HVU355
 - D16 : MA742
 - D17 : 8FFP-72VL
 - D20 : MA8062

- (B/4)
- IC201 : LC7387M-L
 - IC202 : AT24C04N10812.5
 - IC203 : S-8123BP6-P1
 - IC204 : LM301AD
 - IC205 : S-80738N-DT
 - IC206 : HD404628A99TF
 - IC207 : TA75W58FU
 - IC208 : NJM2070M
 - IC209 : TC7608FU
 - Q201, 209 : 28K1824
 - Q217, 218 : DTA114EK
 - Q202 : DTA114EU
 - Q203 : UM4C
 - Q205 : 28K879(Y)
 - Q206 : DTC114YE
 - Q207 : DTA143ZE
 - Q208, 219 : 28B766(R, S)
 - Q210, 213, 214 : 28C4738(OR)
 - Q211 : DTA144EE
 - Q212 : UMW1
 - Q215, 216 : 28J243
 - Q220 : 28K1688
 - Q221 : 28K1688

- D202 : MA8039
- D204, D205 : B30-2115-05
- D206-213 : MA110
- D215 : HN2001FU
- D216 : MA29111
- D217 : B30-2115-05
- D218 : DT23, 9(B)

Note: Circuits are subject to change without notice due to advancements in technology.