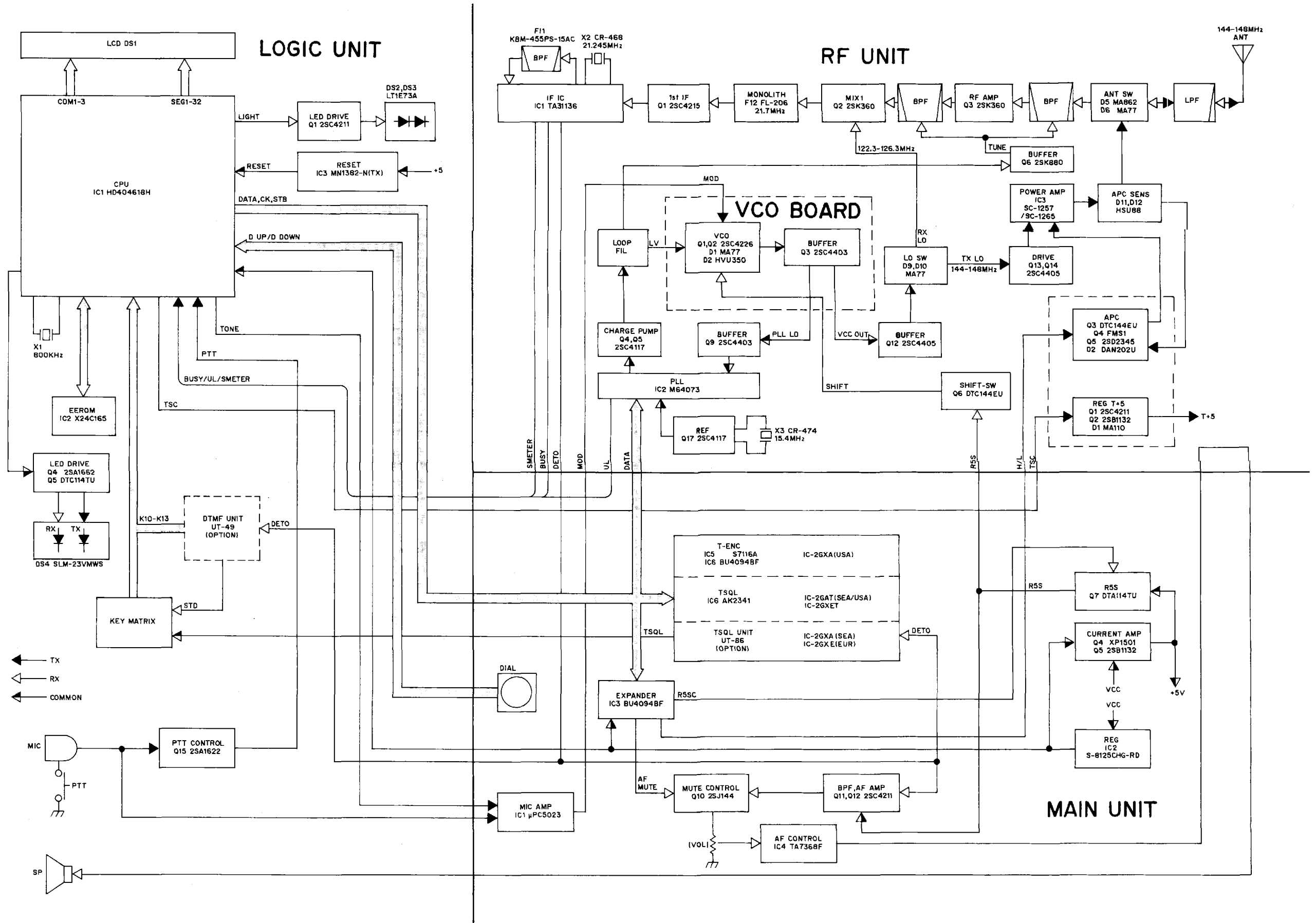
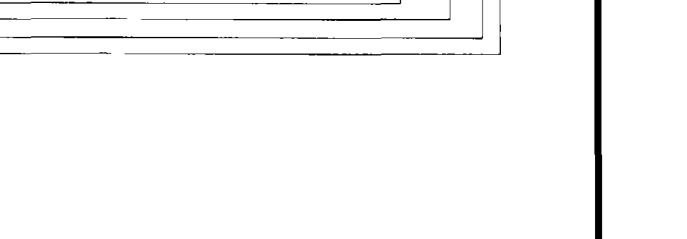
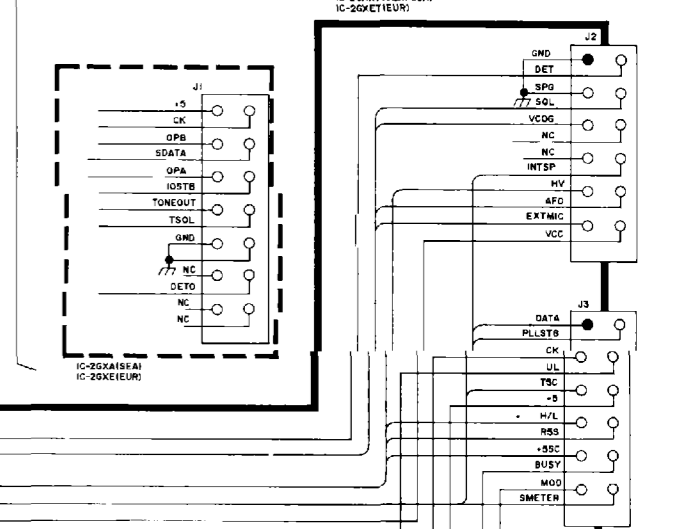
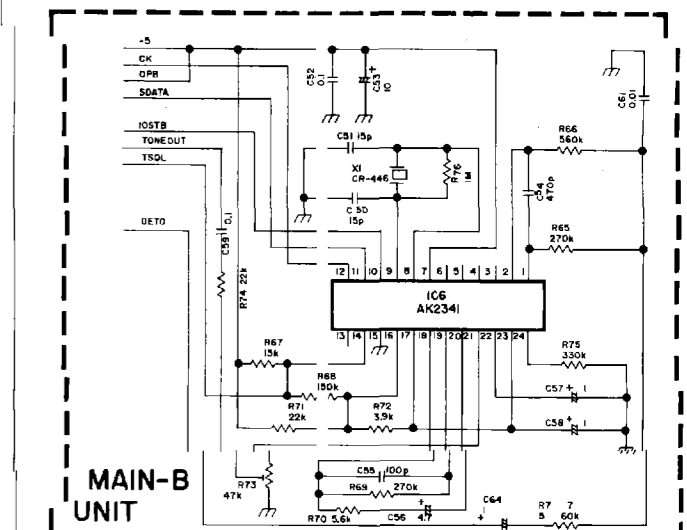
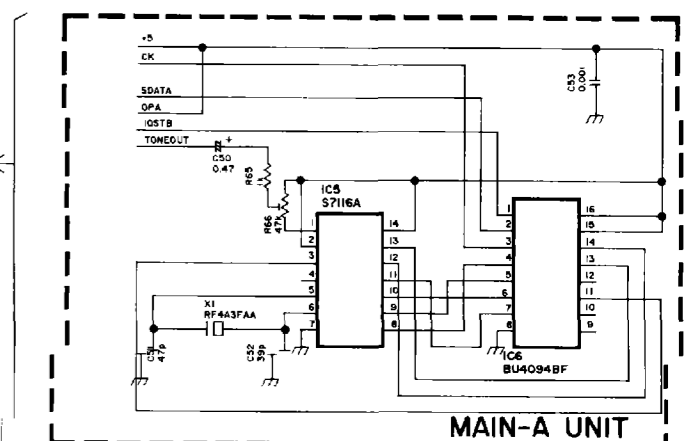
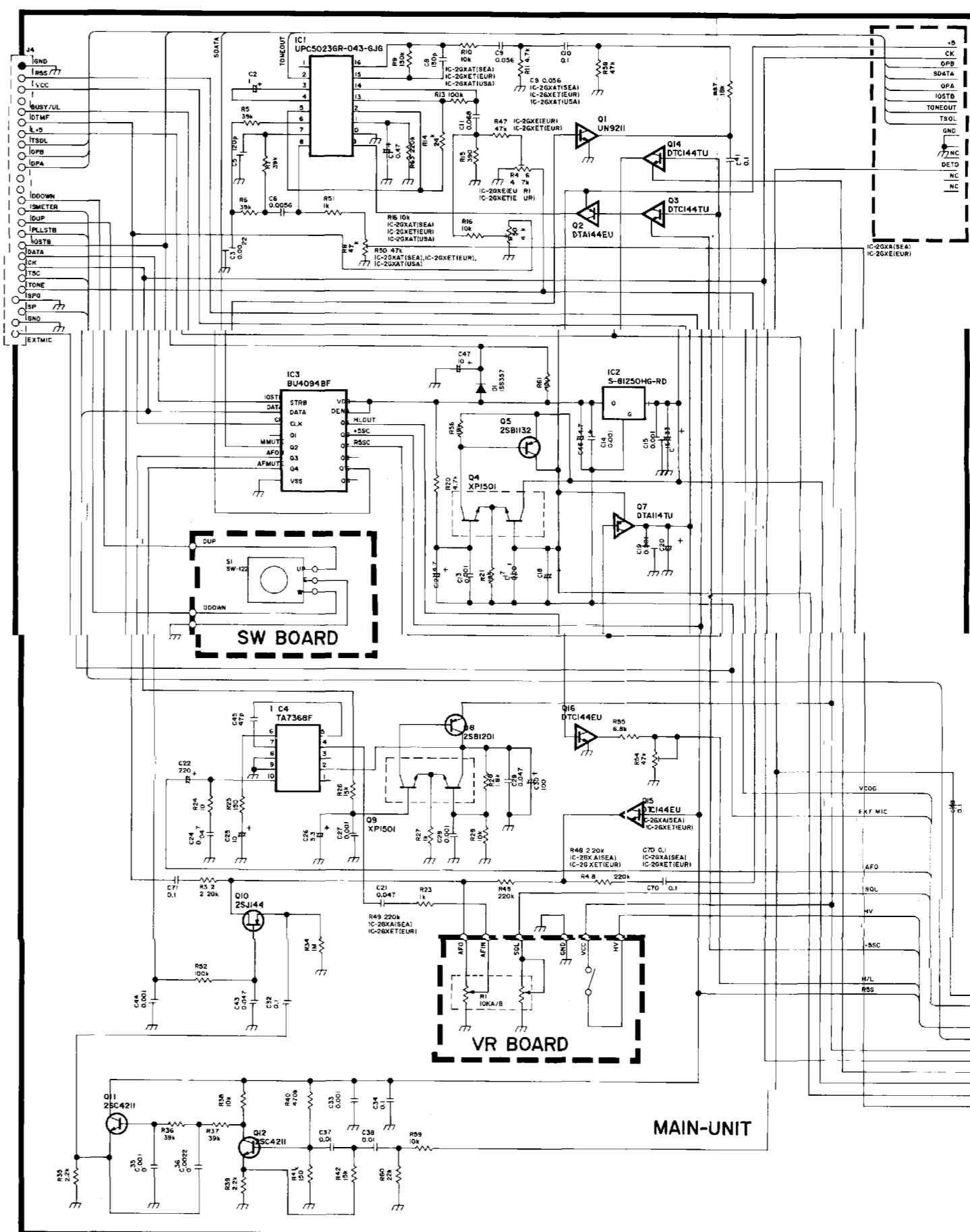
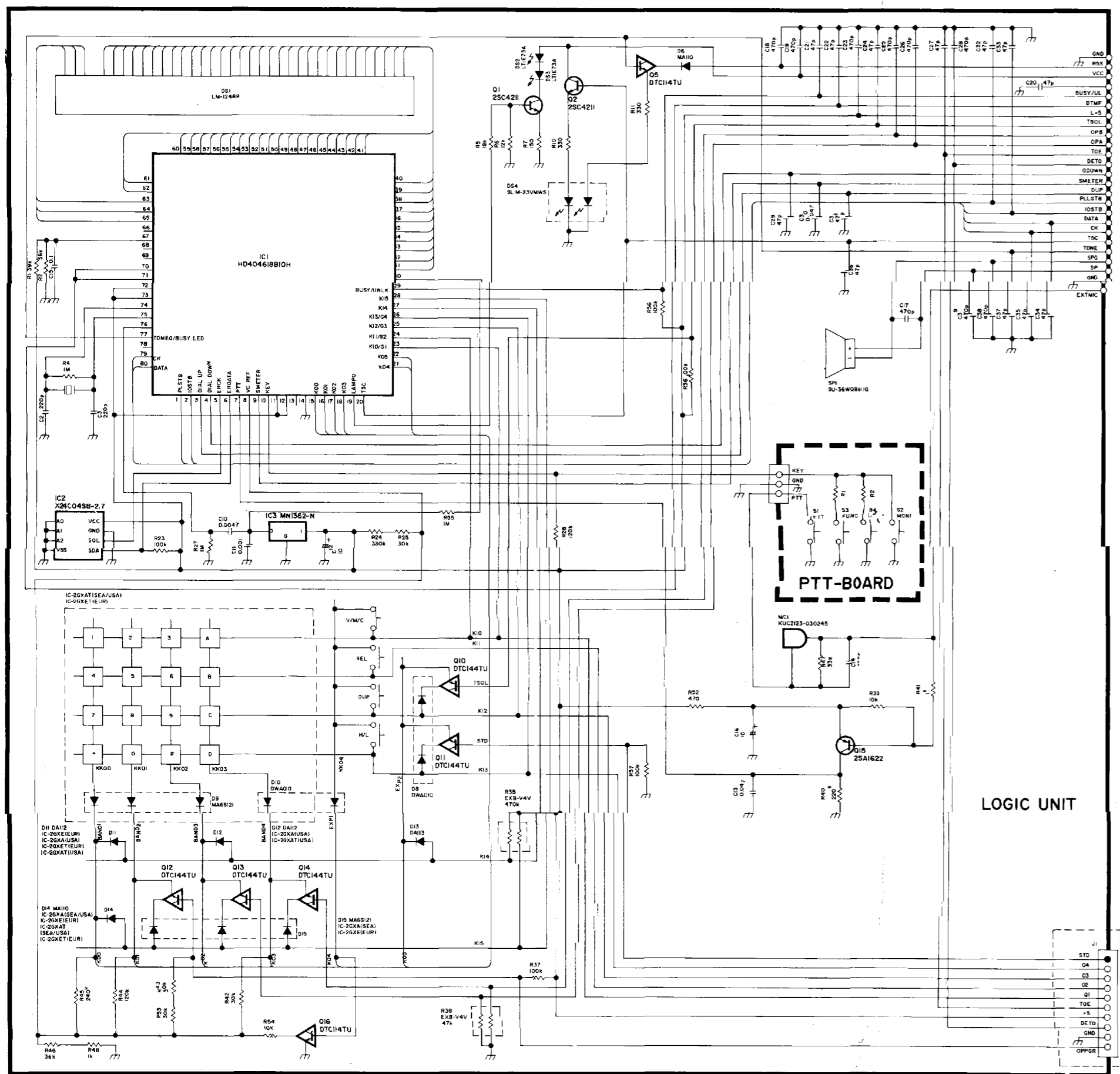
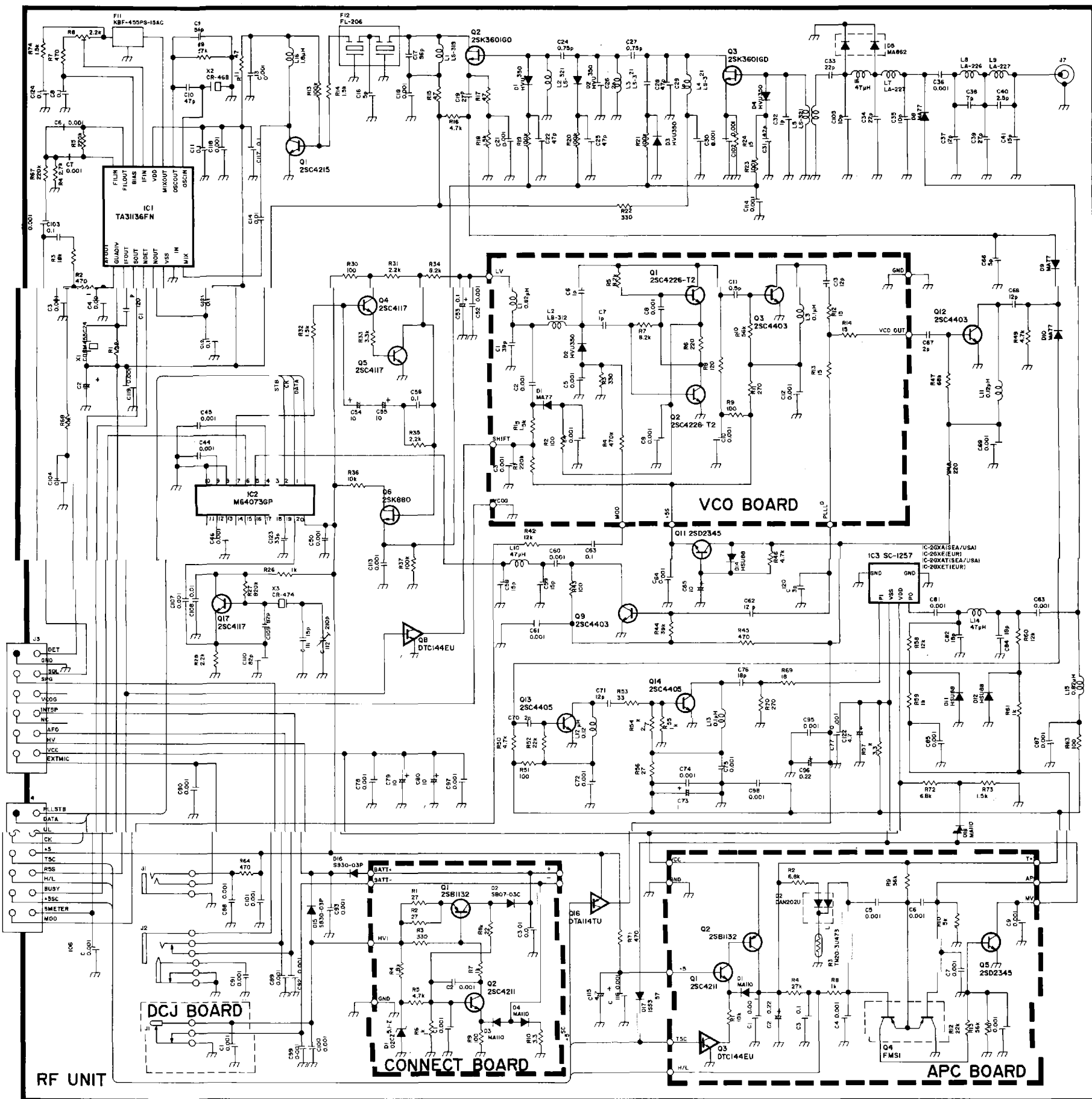


BLOCK DIAGRAM







To upgrade quality, some components may be subject to change without notice.

A-5263S-2EX
 Printed in Japan
 Copyright © 1993 by Icom Inc.

Icom Inc.