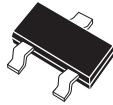


CMPD6263
 CMPD6263A
 CMPD6263C
 CMPD6263S

SCHOTTKY DIODES



SOT-23 CASE

CentralTM

Semiconductor Corp.

DESCRIPTION:

The Central Semiconductor CMPD6263 series types are Silicon Schottky diodes designed for low current surface mount fast switching applicaitons requiring a low forward voltage drop.

The following configurations are available:

CMPD6263
 CMPD6263A
 CMPD6263C
 CMPD6263S

SINGLE
 DUAL, COMMON ANODE
 DUAL, COMMON CATHODE
 DUAL, IN SERIES

MARKING CODE: D76
MARKING CODE: D98
MARKING CODE: D97
MARKING CODE: D96

MAXIMUM RATINGS: ($T_A=25^{\circ}\text{C}$)

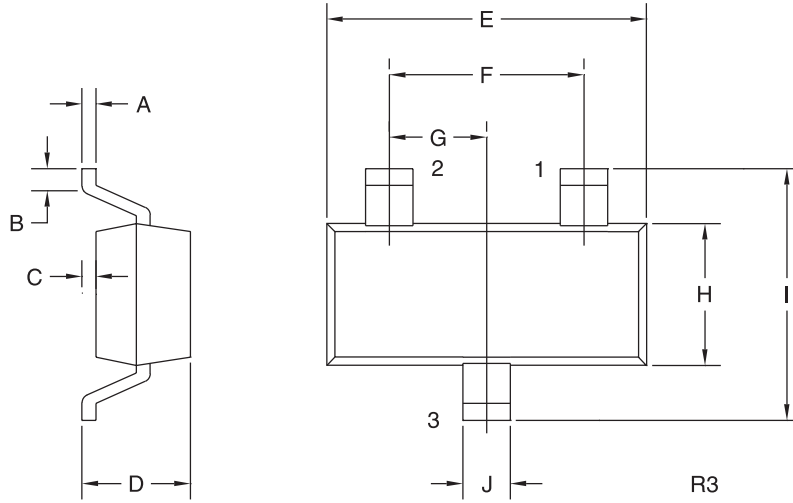
	SYMBOL		UNITS
Peak Repetitive Reverse Voltage	V_{RRM}	70	V
Continuous Forward Current	I_F	15	mA
Forward Surge Current, $t_p=1.0$ s	I_{FSM}	50	mA
Power Dissipation	P_D	350	mW
Operating and Storage			
Junction Temperature	T_J, T_{stg}	-65 to +150	$^{\circ}\text{C}$
Thermal Resistance	Θ_{JA}	357	$^{\circ}\text{C}/\text{W}$

ELECTRICAL CHARACTERISTICS PER DIODE: ($T_A=25^{\circ}\text{C}$ unless otherwise noted)

SYMBOL	TEST CONDITIONS	MIN	TYP	MAX	UNITS
I_R	$V_R=50\text{V}$		98	200	nA
BV_R	$I_R=10\mu\text{A}$	70			V
V_F	$I_F=1.0\text{mA}$		395	410	mV
C_T	$V_R=0\text{V}, f=1.0\text{MHz}$			2.0	pF

SCHOTTKY DIODES

SOT-23 CASE - MECHANICAL OUTLINE

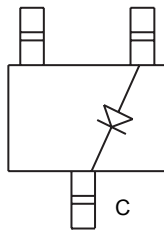


MARKING CODE:
CMPD6263: D76
CMPD6263A: D98
CMPD6263C: D97
CMPD6263S: D96

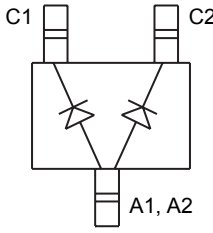
SYMBOL	DIMENSIONS			
	INCHES		MILLIMETERS	
	MIN	MAX	MIN	MAX
A	0.003	0.007	0.08	0.18
B	0.006	-	0.15	-
C	-	0.005	-	0.13
D	0.035	0.043	0.89	1.09
E	0.110	0.120	2.80	3.05
F	0.075		1.90	
G	0.037		0.95	
H	0.047	0.055	1.19	1.40
I	0.083	0.098	2.10	2.49
J	0.014	0.020	0.35	0.50

SOT-23 (REV: R3)

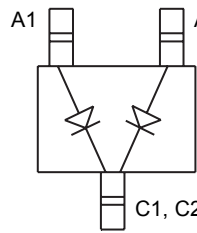
NO CONNECTION



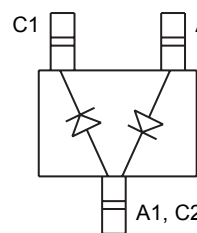
CMPD6263



CMPD6263A



CMPD6263C



CMPD6263S

R4 (26-September 2002)