

PA33 • PA33A

FEATURES

- HIGH INTERNAL DISSIPATION — 250 WATTS
- HIGH VOLTAGE, HIGH CURRENT — 100V, 30A
- HIGH SLEW RATE — 100V/ μ S
- 4 WIRE CURRENT LIMIT SENSING
- LOW DISTORTION
- EXTERNAL SHUTDOWN CONTROL
- OPTIONAL BOOST VOLTAGE INPUTS
- EVALUATION KIT — SEE EK04

APPLICATIONS

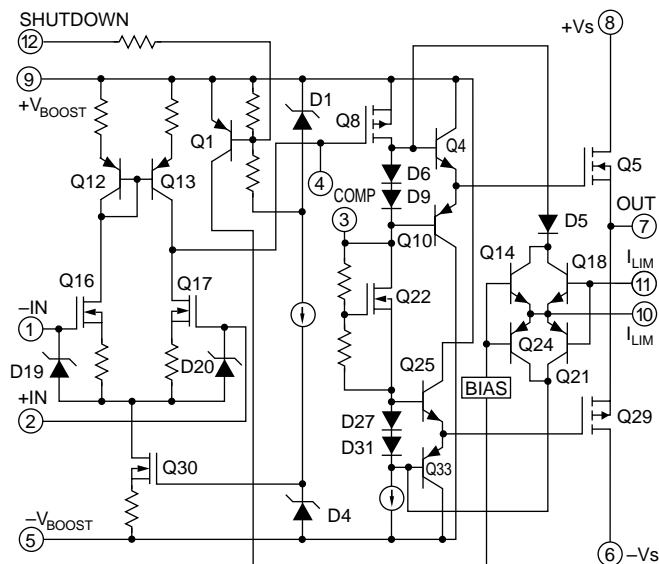
- LINEAR AND ROTARY MOTOR DRIVES
- SONAR TRANSDUCER DRIVER
- YOKE/MAGNETIC FIELD EXCITATION
- PROGRAMMABLE POWER SUPPLIES TO $\pm 45V$
- AUDIO UP TO 500W

DESCRIPTION

The PA33 is a high voltage MOSFET power operational amplifier that extends the performance limits of power amplifiers in slew rate and power bandwidth, while maintaining high current and power dissipation ratings.

The PA33 is a highly flexible amplifier. The shutdown control feature allows the output stage to be turned off for standby operation or load protection during fault conditions. Boost voltage inputs allow the small signal portion of the amplifier to operate at a higher voltage than the high current output stage. The amplifier is then biased to achieve close linear swings to the supply rails at high currents for extra efficient operation. External compensation tailors slew rate and bandwidth performance to user needs. A four wire sense technique allows precision current limiting without the need to consider internal or external milliohm parasitic resistance in the output line. The output stage is protected by thermal limiting circuits above junction temperatures of 175°C.

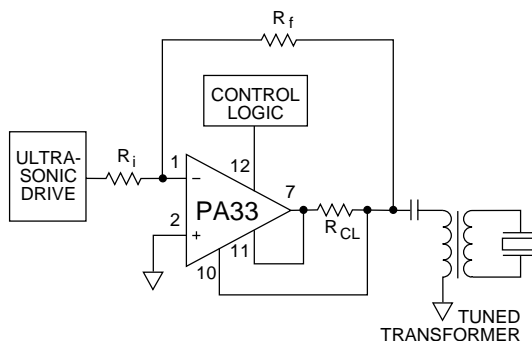
EQUIVALENT SCHEMATIC



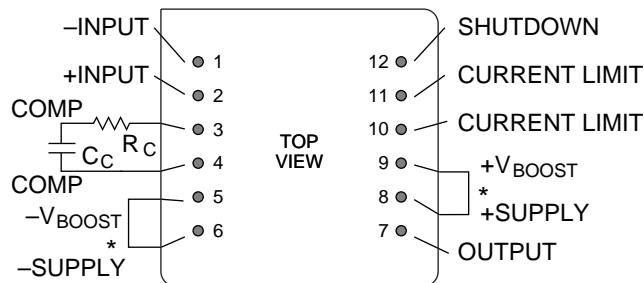
The DIP04 12-pin package (see Package Outlines) is hermetically sealed and isolated from the internal circuits. The use of compressible thermal washers and/or improper mounting torque will void the product warranty. Please see "General Operating Considerations".

TYPICAL APPLICATION

The high power bandwidth of the PA33 allows driving sonar transducers via a resonant circuit including the transducer and a matching transformer. The load circuit appears resistive to the PA33. Control logic turns off the amplifier's output during shutdown.



EXTERNAL CONNECTIONS



PHASE COMPENSATION

Gain	C_c	R_c
1	470pF	120 Ω
>3	220pF	120 Ω
≥ 10	82pF	120 Ω

C_c RATED FOR FULL SUPPLY VOLTAGE

*See BOOST OPERATION paragraph.

PA33 • PA33A

ABSOLUTE MAXIMUM RATINGS
SPECIFICATIONS

ABSOLUTE MAXIMUM RATINGS

SUPPLY VOLTAGE, +V _S to -V _S	100V
BOOST VOLTAGE	SUPPLY VOLTAGE +20V
OUTPUT CURRENT, continuous within SOA	30A
POWER DISSIPATION, internal	250W
INPUT VOLTAGE, differential	±20V
INPUT VOLTAGE, common mode	±V _B
TEMPERATURE, pin solder - 10s	300°C
TEMPERATURE, junction ²	175°C
TEMPERATURE, storage	-65 to +150°C
OPERATING TEMPERATURE RANGE, case	-55 to +125°C

SPECIFICATIONS

PARAMETER	TEST CONDITIONS ¹	PA33			PA33A			UNITS
		MIN	TYP	MAX	MIN	TYP	MAX	
INPUT								
OFFSET VOLTAGE, initial			5	10		2	5	mV
OFFSET VOLTAGE, vs. temperature	Full temperature range		20	50		10	30	μV/°C
OFFSET VOLTAGE, vs. supply			10	30		*	*	μV/V
OFFSET VOLTAGE, vs. power	Full temperature range		30			10		μV/W
BIAS CURRENT, initial			10	50		5	20	pA
BIAS CURRENT, vs. supply			.01			*		pA/V
OFFSET CURRENT, initial			10	50		5	20	pA
INPUT IMPEDANCE, DC			10 ¹¹			*		Ω
INPUT CAPACITANCE			13			*		pF
COMMON MODE VOLTAGE RANGE	Full temperature range	±V _B -8				*		V
COMMON MODE REJECTION, DC	Full temp. range, V _{CM} = ±20V	90	100			*		dB
INPUT NOISE	100KHz BW, R _S = 1KΩ		10			*		μVrms
GAIN								
OPEN LOOP, @ 15Hz	Full temperature range, C _C = 82pF	94	102			*		dB
GAIN BANDWIDTH PRODUCT	R _L = 10Ω		3			*		MHz
POWER BANDWIDTH	R _L = 4Ω, V _O = 80V _{P-P} , A _V = -10 C _C = 82pF, R _C = 120Ω		400			*		kHz
PHASE MARGIN	Full temperature range, C _C = 470pF		60			*		°
OUTPUT								
VOLTAGE SWING	I _O = 20A	±V _S -9.5	±V _S -8.7			*		V
VOLTAGE SWING	V _{BOOST} = V _S + 5V, I _O = 30A	±V _S -5.8	±V _S -5.0			*		V
CURRENT, peak		30				*		A
SETTLING TIME to .1%	A _V = +1, 10V step, R _L = 4Ω		2.5			*		μs
SLEW RATE	A _V = -10, C _C = 82pF, R _C = 120Ω	80	100			*		V/μs
CAPACITIVE LOAD	Full temperature range, A _V = +1	2.2				*		nF
RESISTANCE	I _O = 0, No load, 2MHz		5			*		Ω
	I _O = 1A, 2MHz		2			*		Ω
POWER SUPPLY								
VOLTAGE	Full temperature range	±15	±45	±50		*	*	V
CURRENT, quiescent, boost supply			46	56		*	*	mA
CURRENT, quiescent, total			90	120		*	*	mA
CURRENT, quiescent, total, shutdown			46	56		*	*	mA
THERMAL								
RESISTANCE, AC, junction to case ³	Full temperature range, F>60Hz		.3	.4		*	*	°C/W
RESISTANCE, DC, junction to case	Full temperature range, F<60Hz		.4	.5		*	*	°C/W
RESISTANCE, junction to air ⁴	Full temperature range		12			*	*	°C/W
TEMPERATURE RANGE, case	Meets full range specification	-25		85		*	*	°C

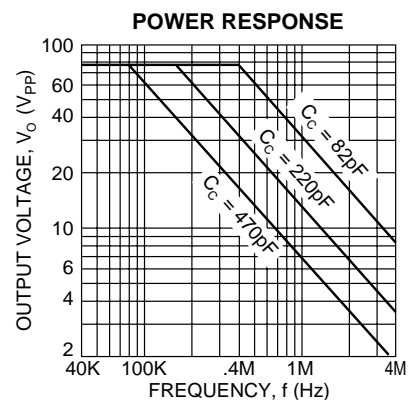
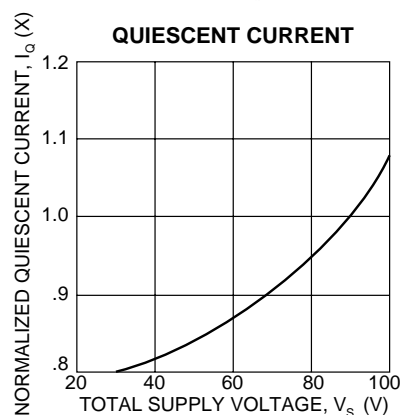
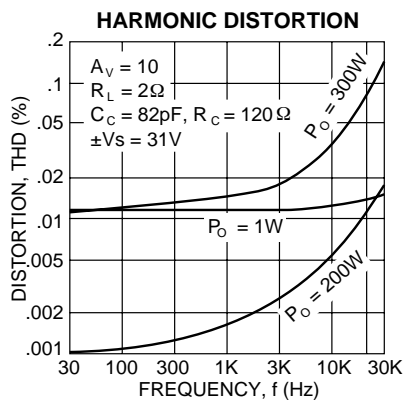
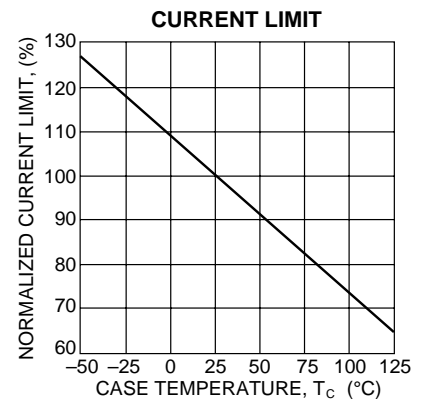
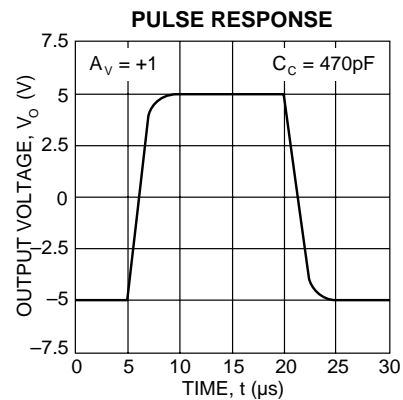
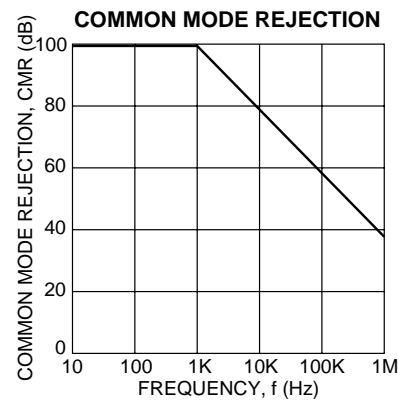
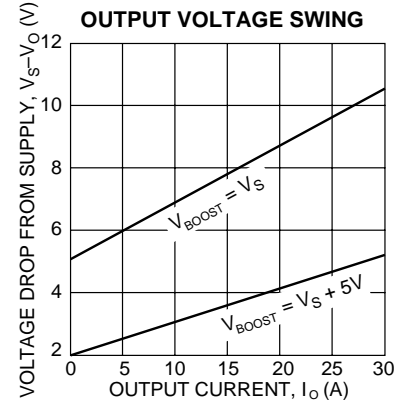
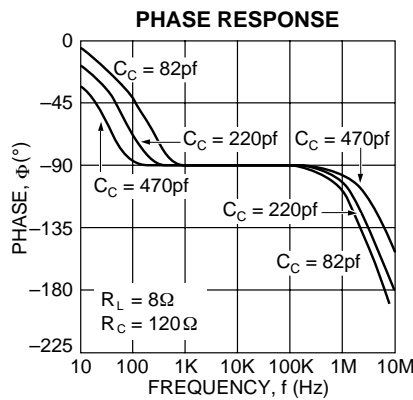
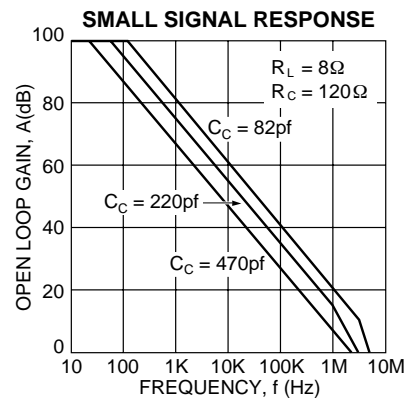
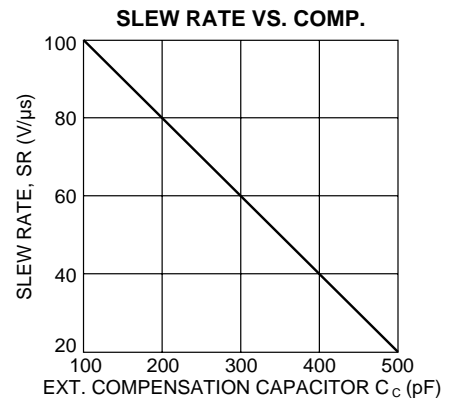
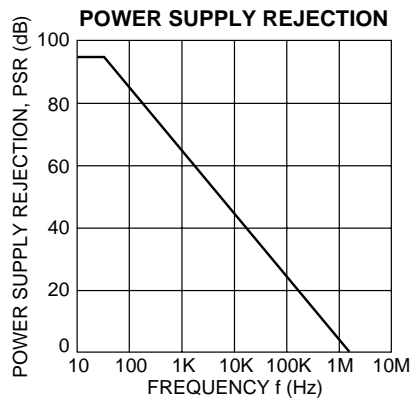
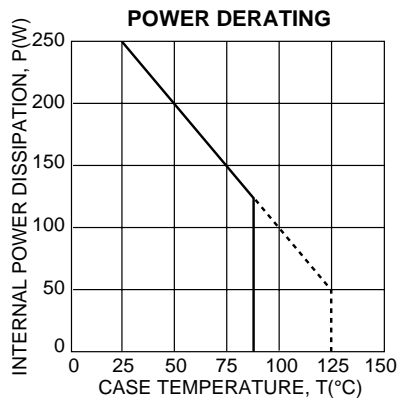
NOTES: * The specification of PA33A is identical to the specification for PA33 in applicable column to the left.

- Unless otherwise noted: T_C = 25°C, C_C = 470pF, R_C = 120 ohms. DC input specifications are ± value given. Power supply voltage is typical rating. ±V_{BOOST} = ±V_S.
- Long term operation at the maximum junction temperature will result in reduced product life. Derate internal power dissipation to achieve high MTTF. For guidance, refer to the heatsink data sheet.
- Rating applies if the output current alternates between both output transistors at a rate faster than 60 Hz.
- The PA33 must be used with a heatsink or the quiescent power may drive the unit to junction temperatures higher than 150°C.

CAUTION

The PA33 is constructed from MOSFET transistors. ESD handling procedures must be observed.

The internal substrate contains beryllia (BeO). Do not break the seal. If accidentally broken, do not crush, machine, or subject to temperatures in excess of 850°C to avoid generating toxic fumes.



GENERAL

Please read Application Note 1 "General Operating Considerations" which covers stability, supplies, heat sinking, mounting, current limit, SOA interpretation, and specification interpretation. Visit www.apexmicrotech.com for design tools that help automate tasks such as calculations for stability, internal power dissipation, current limit; heat sink selection; Apex's complete Application Notes library; Technical Seminar Workbook; and Evaluation Kits.

CURRENT LIMIT

The two current limit sense lines are to be connected directly across the current limit sense resistor. For the current limit to work correctly, pin 11 must be connected to the amplifier output side and pin 10 connected to the load side of the current limit resistor, R_{CL} , as shown in Figure 1. This connection will bypass any parasitic resistances, R_p formed by sockets and solder joints as well as internal amplifier losses. The current limiting resistor may not be placed anywhere in the output circuit except where shown in Figure 1. If current limiting is not used, pins 10 and 11 must be tied to pin 7.

The value of the current limit resistor can be calculated as follows:

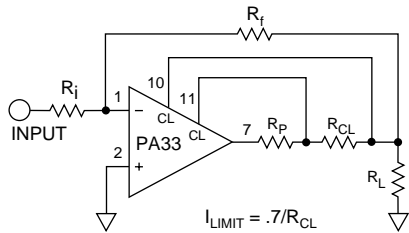


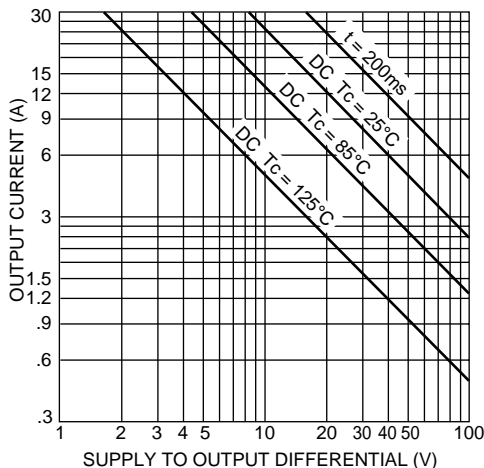
FIGURE 1. CURRENT LIMIT

SAFE OPERATING AREA (SOA)

The MOSFET output stage of this power operational amplifier has two distinct limitations:

1. The current handling capability of the MOSFET geometry and the wire bonds.
2. The junction temperature of the output MOSFETs.

NOTE: The output stage is protected against transient flyback. However, for protection against sustained, high energy flyback, external fast-recovery diodes should be used.



SHUTDOWN OPERATION

To disable the output stage, pin 12 is connected to ground via relay contacts or via an electronic switch. The switching device must be capable of sinking 2mA to complete shutdown and capable of standing off the supply voltage $+V_s$. See Figure 2 for suggested circuits.

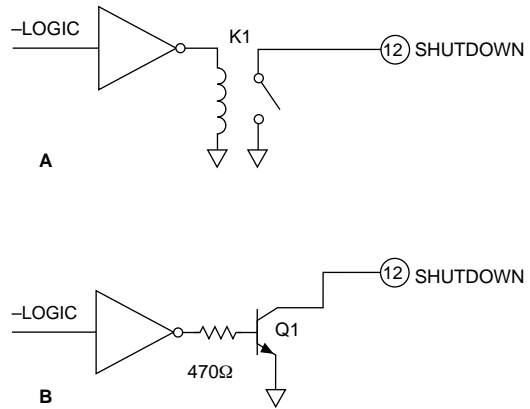


FIGURE 2. SHUTDOWN OPERATION

From an internal circuitry standpoint, shutdown is just a special case of current limit where the allowed output current is zero. As with current limit, however, a small current does flow in the output during shutdown. A load impedance of 100 ohms or less is required to insure the output transistors are turned off. Note that even though the output transistors are off the output pin is not open circuited because of the shutdown operating current.

BOOST OPERATION

With the V_{BOOST} feature, the small signal stages of the amplifier are operated at higher supply voltages than the amplifier's high current output stage. $+V_{BOOST}$ (pin 9), and $-V_{BOOST}$ (pin 5) are connected to the small signal circuitry of the amplifier. $+V_s$ (pin 8) and $-V_s$ (pin 6) are connected to the high current output stage. An additional 5V on the V_{BOOST} pins is sufficient to allow the small signal stages to drive the output transistors into saturation and improve the output voltage swing for extra efficient operation when required. When close swings to the supply rails is not required the $+V_{BOOST}$ and $+V_s$ pins must be strapped together as well as the $-V_{BOOST}$ and $-V_s$ pins. The boost voltage pins must not be at a voltage lower than the V_s pins.

COMPENSATION

The external compensation components C_c and R_c are connected to pins 3 and 4. Unity gain stability can be achieved at any compensation capacitance greater than 470 pF with at least 60 degrees of phase margin. At higher gains, more phase shift can be tolerated in most designs and the compensation capacitance can accordingly be reduced, resulting in higher bandwidth and slew rate. Use the typical operating curves as a guide to select C_c and R_c for the application.