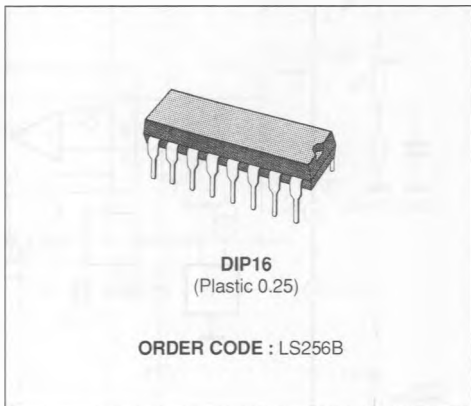


**TELEPHONE SPEECH CIRCUIT WITH MULTIFREQUENCY
TONE GENERATOR INTERFACE**

ADVANCE DATA

- PRESENTS THE PROPER DC PATH FOR THE LINE CURRENT
- HANDLES THE VOICE SIGNAL, PERFORMING THE 2/4 WIRES INTERFACE AND CHANGING THE GAIN ON BOTH SENDING AND RECEIVING AMPLIFIERS TO COMPENSATE FOR LINE ATTENUATION BY SENSING THE LINE LENGTH THROUGH THE LINE CURRENT
- ACTS AS LINEAR INTERFACE FOR MF, SUPPLYING A STABILIZED TO THE DIGITAL CHIP AND DELIVERING TO THE LINE THE MF TONE GENERATED BY THE DIALER



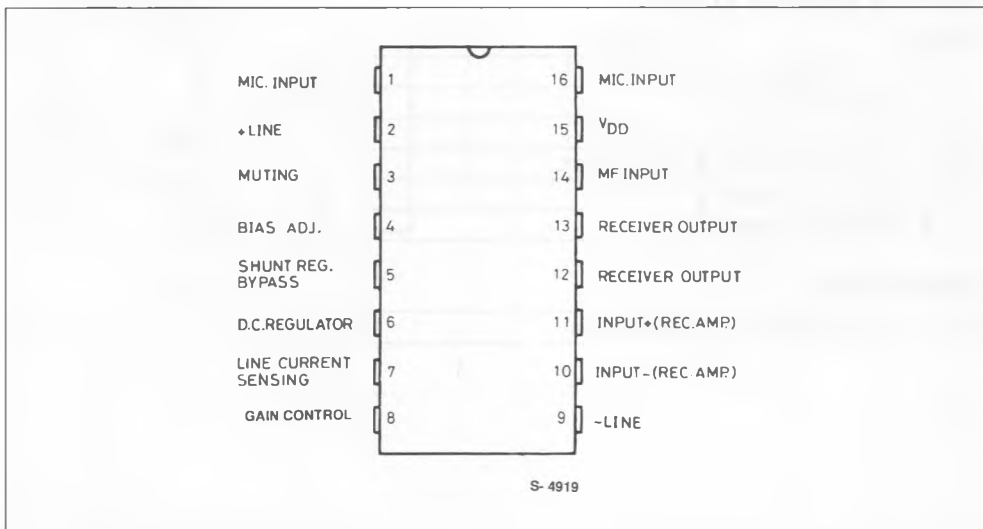
DESCRIPTION

The LS256 is a monolithic integrated circuit in 16-lead dual in-line plastic package to replace the hybrid circuit in telephone set. It works with the same type of transducers for both transmitter and receiver (typically piezoceramic capsules, but the device

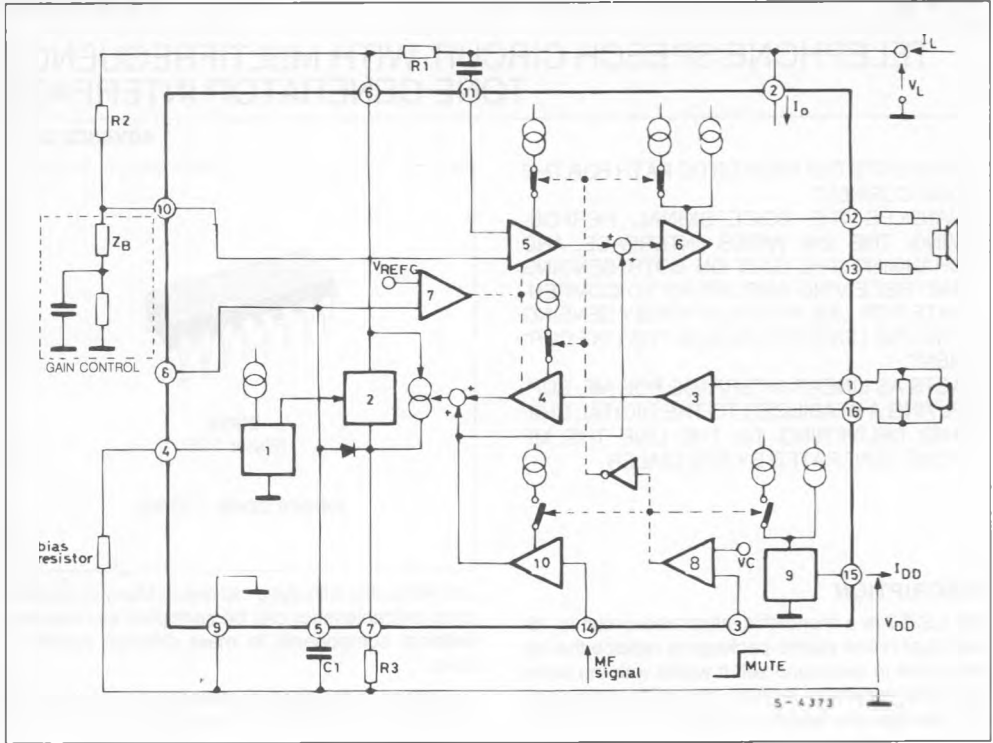
can work also with dynamic ones). Many of its electrical characteristics can be controlled by means of external components to meet different specifications.

In addition to the speech operation, the LS256 acts as an interface for the MF tone signal.

PIN CONNECTION (top view)



BLOCK DIAGRAM



ABSOLUTE MAXIMUM RATINGS

Symbol	Parameter	Value	Unit
V_L	Line Voltage (3ms pulse duration)	22	V
I_L	Forward Line Current	150	mA
I_L	Reverse Line Current	- 150	mA
P_{tot}	Total Power Dissipation at $T_{amb} = 70^\circ\text{C}$	1	W
T_{op}	Operating Temperature	- 45 to 70	$^\circ\text{C}$
T_{stg}, T_j	Storage and Junction Temperature	- 65 to 150	$^\circ\text{C}$

THERMAL DATA

$R_{th\ i-amb}$	Thermal Resistance Junction-ambient	Max	80	$^\circ\text{C/W}$
-----------------	-------------------------------------	-----	----	--------------------

TEST CIRCUITS

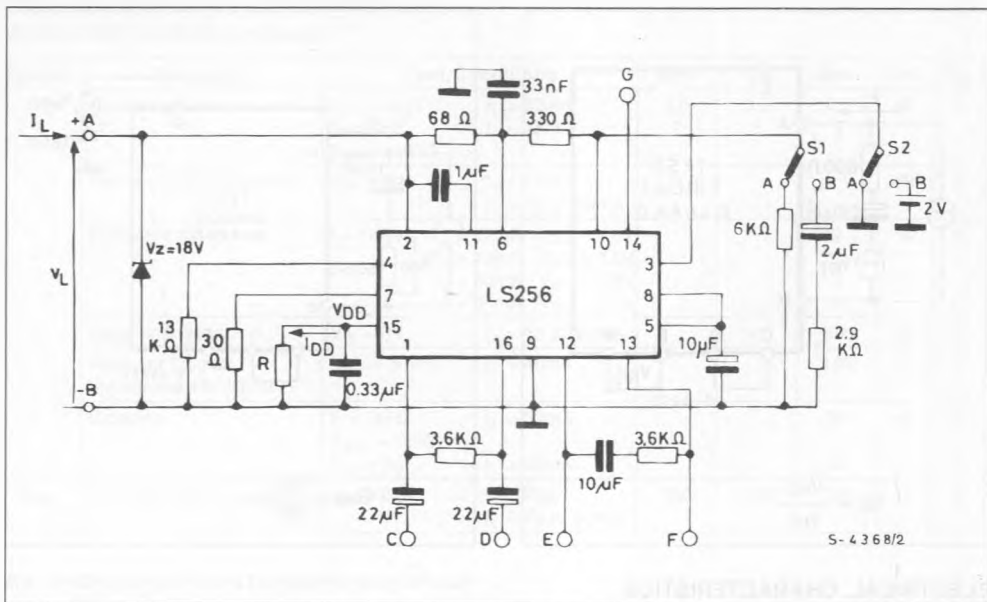


Figure 1.

Figure 2.

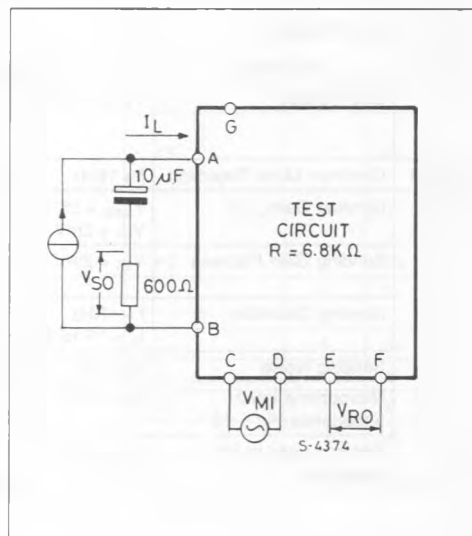
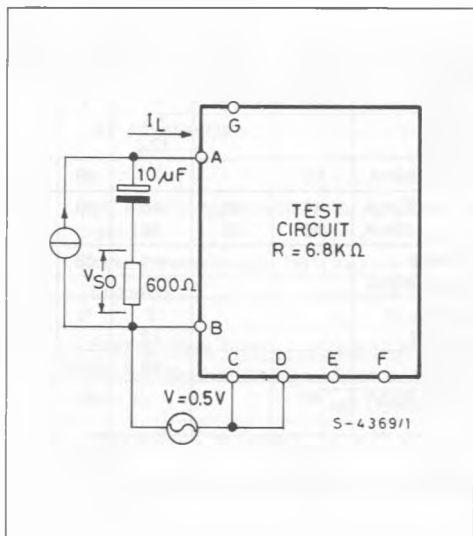


Figure 3.

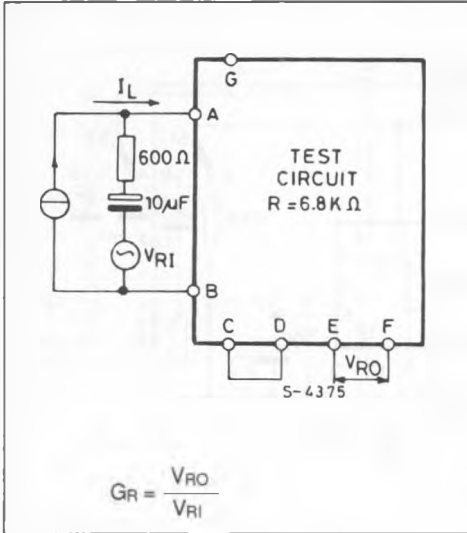
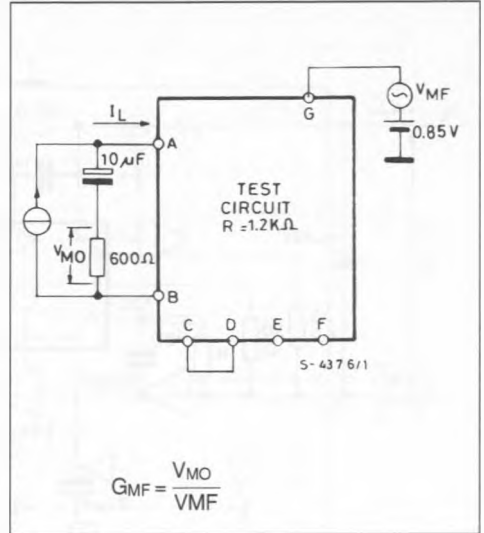


Figure 4.



ELECTRICAL CHARACTERISTICS

(refer to the test circuits, S1, S2 in (a), $T_{amb} = -25$ to $+50^{\circ}C$, $f = 200$ to $3400Hz$, unless otherwise specified)

SPEECH OPERATION

Symbol	Parameter	Test Conditions	Min.	Typ.	Max.	Unit	Fig.
V_L	Line Voltage	$T_{amb} = 25^{\circ}C$ $I_L = 12mA$ $I_L = 20mA$ $I_L = 80mA$	3.9		4.7 5.5 12.2	V	
CMRR	Common Mode Rejection	$f = 1KHz$ $I_L = 12$ to $80mA$	50			dB	1
G_S	Sending Gain	$T_{amb} = 25^{\circ}C$ $f = 1KHz$ $V_{MI} = 2mV$ $I_L = 52mA$ $I_L = 25mA$	44 48	45 49	46 50	dB	2
	Sending Gain Flatness	$V_{MI} = 2mV$ $f_{ref} = 1KHz$ $I_L = 12$ to $80mA$			± 1	dB	2
	Sending Distortion	$f = 1KHz$ $I_L = 16$ to $80mA$ $V_{SO} = 1V$ $V_{SO} = 1.3V$			2 10	%	2
	Sending Noise	$V_{MI} = 0V$ $I_L = 40mA$			- 68.5	dBmp	2
	Microphone Input Impedance Pin 1-16	$V_{MI} = 2mV$ $I_L = 12$ to $80mA$	40			$K\Omega$	
	Sending Loss in MF Operation	$V_{MI} = 2mV$ S_2 in (b) $I_L = 52mA$ $I_L = 25mA$	- 30 - 30			dB	2

ELECTRICAL CHARACTERISTICS (continued)

SPEECH OPERATION (continued)

Symbol	Parameter	Test Conditions	Min.	Typ.	Max.	Unit	Fig.
G _R	Receiving Gain	V _{RI} = 0.3V f = 1KHz T _{amb} = 25°C I _L = 52mA I _L = 25mA	2.5 7	3.5 8	4.5 9	dB	3
	Receiving Gain Flatness	V _{RI} = 0.3V f _{ref} = 1KHz I _L = 12 to 80mA			± 1	dB	3
	Receiving Distortion	f = 1KHz I _L = 12mA I _L = 12mA I _L = 50mA I _L = 50mA V _{RO} = 1.6V V _{RO} = 1.9V V _{RO} = 1.8V V _{RO} = 2.1V			2 10 2 10	%	3
	Receiving Noise	V _{RI} = 0V I _L = 12 to 80mA		100	500	μV	3
	Receiver Output Impedance Pin 12-13	V _{RO} = 50mV I _L = 40mA			100	Ω	
	Sidetone	F = 1KHZ T _{amb} = 25°C S ₁ in (b) I _L = 52mA I _L = 25mA			36 36	dB	2
Z _{ML}	Line Matching Impedance	V _{RI} = 0.3V f = 1KHz I _L = 12 to 80mA	500	600	700	Ω	3

MULTIFREQUENCY SYNTHESIZER INTERFACE

Symbol	Parameter	Test Conditions	Min.	Typ.	Max.	Unit	Fig.
V _{DD}	MF Supply Voltage (standby and operation)	I _L = 12 to 80mA	2.35	2.5		V	
I _{DD}	MF Supply Current Stand by Operation	I _L = 12 to 80mA	0.5 2			mA	
		I _L = 12 to 80mA ; S ₂ in (b)					
	MF Amplifier Gain	I _L = 12 to 80mA f _{MF in} = 1KHz V _{MF in} = 80mV	15		17	dB	4
V _I	DC Input Voltage Level (pin 14)	V _{M Fin} = 80mV		.3V _{DD}		V	
R _I	Input Impedance (pin 14)	V _{M Fin} = 80mV	40			KΩ	
d	Distortion	V _{M Fin} = 110mV I _L = 16 to 80mA			2	%	4
		Starting Delay Time	I _L = 12 to 80mA		5	ms	
	Muting Threshold Voltage (pin 3)	Speech Operation			1	V	
		MF Operation	1.6			V	
	Muting Stand by Current (pin 3)	I _L = 12 to 80mA			- 10	μA	
	Muting Operating Current (pin 3)	I _L = 12 to 80mA S ₂ in (b)			+ 10	μA	