

LMX9402

LMX9402 Frequency Synthesizer Module



Literature Number: SNAS123A

LMX9402

Frequency Synthesizer Module

General Description

The Frequency Synthesizer Module is a Low Temperature Co-fired Ceramic (LTCC) RF module consisting of a high performance frequency synthesizer, loop filter, and voltage controlled oscillator (VCO). The frequency synthesizer is fabricated using National's ABiC BiCMOS process ($f_T = 14$ GHz). The loop filter and VCO are fabricated on National's Low Temperature Co-fired Ceramics.

The Frequency Synthesizer Module can be used for local oscillator applications. Using a digital phase locked loop technique, the on board frequency synthesizer can generate a very stable, low noise local oscillator. Serial data is transferred into the module using a three wire interface. The loop filter is designed for fast lock times and maximum attenuation of reference spurs.

The module is available in a Ball Grid Array 560 mil X 560 mil X 220 mil package.

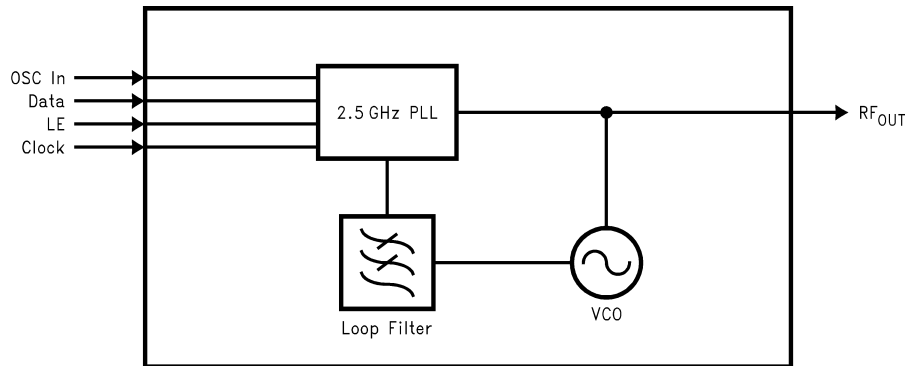
Features

- Low phase noise tunable local oscillator
- Low current consumption
- LMX2330A 2.5 GHz PLLatinum™ in module

Applications

- DCS wireless cellular systems
- Fixed wireless communications

Functional Block Diagram

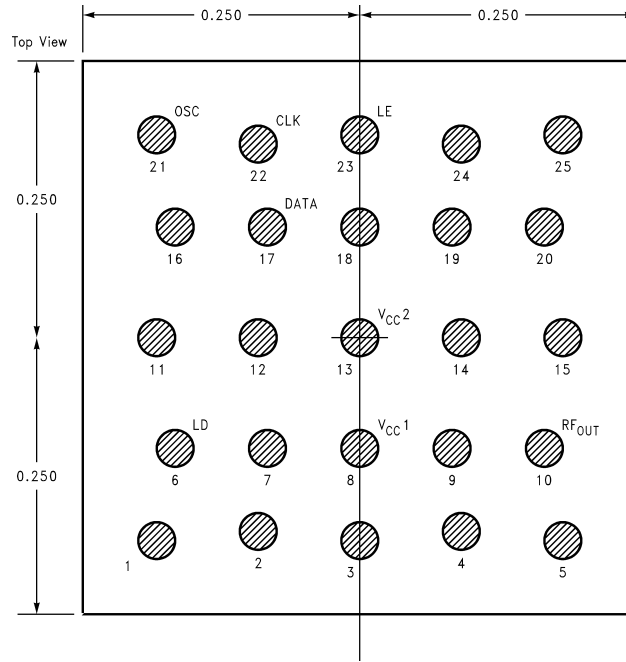


DS200075-1

Ordering Information

Package	Temp. Range -10°C to +85°C	Transport Media	NSC Package Drawing
CBGA	LMX9402BL1577X	Tape and Reels	SB25A
CBGA	LMX9402BL1501X	Tape and Reels	SB25A
CBGA	LMX9402BL1619X	Tape and Reels	SB25A
CBGA	LMX9402BL1701X	Tape and Reels	SB25A

Connection Diagram



Top View 25-Pin CBGA Package
See NS Package Number SB25A

Pin Descriptions

Pin No.	Pin Name	I/O	Description
1,2,3,4,5	GND	—	Ground.
6	LD	O	Multiplexed output of the RF programmable dividers, reference dividers, or RF Lock Detect. Normally used as RF Lock Detect.
7	GND	—	Ground.
8	V _{CC1}	—	Power supply voltage input to PLL.
9	GND	—	Ground.
10	RFOUT	O	VCO Frequency Output.
11, 12	GND	—	Ground.
13	V _{CC2}	—	Power supply voltage input to VCO
14, 15, 16	GND	—	Ground.
17	Data	I	Binary serial data input. Data entered MSB first. LSB is control bit. High impedance CMOS input.
18, 19, 20	GND	—	Ground.
21	OSC _{IN}	I	Reference Oscillator input.
22	CLK	I	High impedance CMOS Clock input. Data is clocked in on the rising edge, into the various counters and registers.
23	LE	I	Load Enable input (with internal pull-up resistor). When LE Load Enable transitions HIGH, data stored in the shift registers is loaded into the appropriate latch (control bit dependent). Clock must be low when LE toggles high or low.
24, 25	GND	—	Ground.

Absolute Maximum Ratings (Note 1)

Power Supply Voltage (V_{CC})	4.75 to 5.5 V
Storage Temperature Range (T_S)	10°C to 150°C
ESD - Whole Body Model (Note 2)	TBD

Note 1: Absolute Maximum Ratings indicate limits beyond which damage to the device may occur. Operating Conditions indicate conditions for which the device is intended to be functional. For guaranteed specifications and test conditions, see the Electrical Characteristics.

Note 2: This device is a high performance RF integrated circuit and is ESD sensitive. Handling and assembly of this device should be done on ESD protected workstations.

Recommended Operating Conditions (Note 1)

Supply Voltage (V_{CC})	
Min	4.75 V
Typ	5.0 V
Max	5.5 V
Operating Temperature (T_A)	-10°C to +85°C

Frequency Synthesizer Electrical Characteristics

Note: all specifications on this table are for the BL1501 version unless noted in bold.

Symbol	Parameter	Conditions	Value			Units
			Min	Typ	Max	
I_{CC}	Power Supply Current	V_{CC1} and V_{CC2}		18	32	mA
f_{OSC}	Crystal Reference Frequency			13	40	MHz
f_{REF}	Reference Frequency			200		kHz
LBW	Loop Bandwidth			20		kHz
f_{VCO}	Tuning Frequency		1464.2		1538.8	MHz
f_{VCO}	BL1577 Tuning Frequency		1540.2		1614.8	MHz
f_{VCO}	BL1619 Tuning Frequency		1589		1650	MHz
f_{VCO}	BL1701 Tuning Frequency		1680		1740	MHz
P_{OUT}	Output Level		0	3	+6	dBm
$\int (f_m)$	Single Side Band Phase Noise	$f_m = 5$ kHz		-82		dBc/Hz
		$f_m \geq 800$ kHz		-142		dBc/Hz
$\int (f_m)$	BL1577 Single Side Band Phase Noise	$f_m = 2$ kHz		-82	-80	dBc/Hz
		$f_m \geq 800$ kHz		-142	-140	dBc/Hz
$\int (f_m)$	BL1619 Single Side Band Phase Noise	$f_m = 2$ kHz			-81	dBc/Hz
		$f_m \geq 800$ kHz			-141	dBc/Hz
$\int (f_m)$	BL1701 Single Side Band Phase Noise	$f_m = 2$ kHz			-81	dBc/Hz
		$f_m \geq 800$ kHz			-141	dBc/Hz
	Spurious Reference Sidebands	200 kHz Offset		-80	-60	dBc
		400 kHz Offset		-90	-80	dBc
		600 kHz Offset		-95	-90	dBc
		800 kHz Offset		-96	-95	dBc
	Nth Spurious Harmonic	2nd Harmonic		-15	-10	dBc
	Spurious Non Harmonic				-100	dBc
T_{LOCK}	Frequency Lock Time (MAX)	Within 10° of Final Frequency		400	500	μs
T_{LOCK}	BL1577 Frequency Lock Time (MAX)	Within 10° of Final Frequency			500	μs
T_{LOCK}	BL1619 Frequency Lock Time (MAX)	Within 10° of Final Frequency			500	μs
T_{LOCK}	BL1701 Frequency Lock Time (MAX)	Within 10° of Final Frequency			500	μs

Voltage Controlled Oscillator Electrical Characteristics

Note: all specifications on this table are for the BL1501 version unless noted in bold.

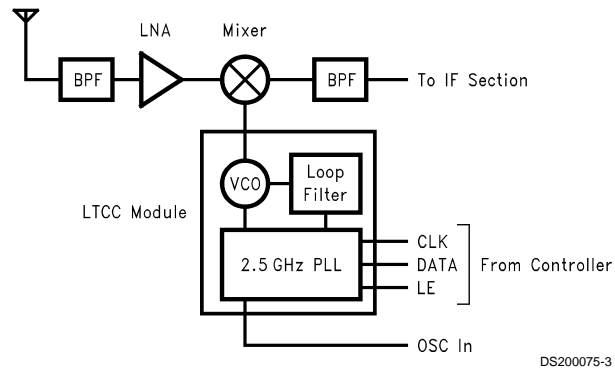
Symbol	Parameter	Conditions	Value			Units
			Min	Typ	Max	
I_{CC}	Power Supply Current	V_{CC2} only		12	18	mA
f_{VCO}	Tune Range	Tune Voltage 0V to 5V	1420		1570	MHz
f_{VCO}	BL1577 Tune Range	Tune Voltage 0V to 5V	1480		1640	MHz
f_{VCO}	BL1619 Tune Range	Tune Voltage 0V to 5V	1565		1670	MHz
f_{VCO}	BL1701 Tune Range	Tune Voltage 0V to 5V	1660		1760	MHz
K_V	Gain	$f_{VCO} = 1540.2$ to 1614.8 MHz		32		MHz/V
P_{OUT}	Output Level		0	3	+6	dBm
$\int (f_m)$	Single Side Band Phase Noise	$f_m = 10$ kHz		-102		dBc/Hz
		$f_m = 100$ kHz		-122		dBc/Hz
		$f_m = 1000$ kHz		-142		dBc/Hz
	Nth Spurious Harmonic	2nd Harmonic		-15	-10	dBc

DC Electrical Characteristics

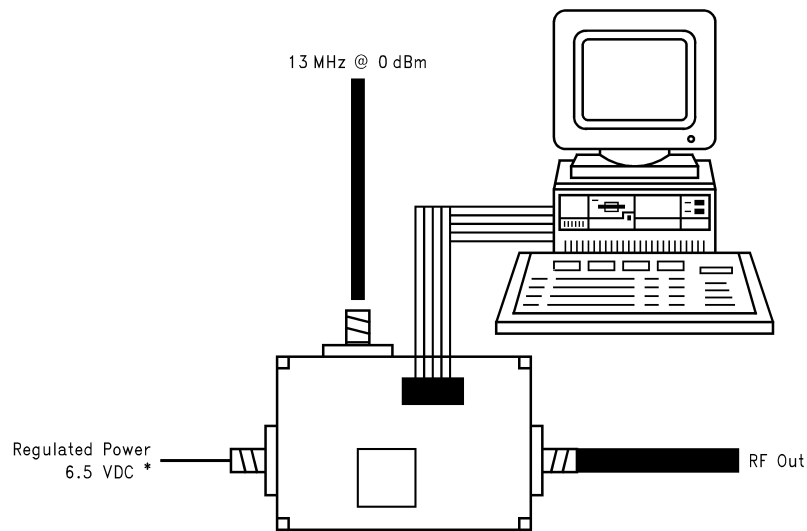
Symbol	Parameter	Conditions	Value			Units
			Min	Typ	Max	
V_{IH}	High Level Input Voltage		$V_{CC} - 0.8$			V
V_{IL}	Low Level Input Voltage				0.8	V
I_{IN}	Input Current	$GND < V_{IN} < V_{CC}$	-1.0		1.0	μ A
t_{CS}	Data to Clock Set Up Time		50			ns
t_{CH}	Data to Clock Hold Time		10			ns
t_{CWH}	Clock Pulse Width High		50			ns
t_{CWL}	Clock Pulse Width Low		50			ns
t_{ES}	Clock to Load Enable Set Up Time		50			ns
t_{EW}	Load Enable Pulse Width		50			ns

Note 3: DC Electrical Characteristics for the digital section apply to the power down pin and the MICROWIRE™ Interface.

Typical Application Example

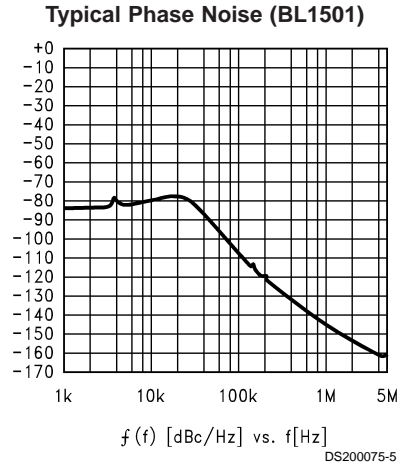


Evaluation Board Setup



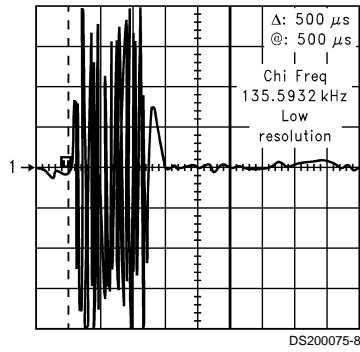
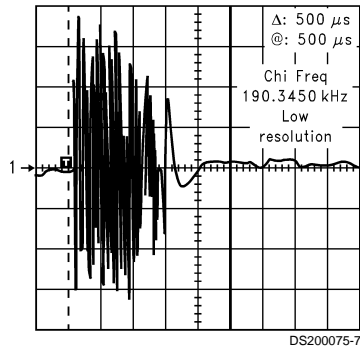
* The VCO is powered through a 5.0V regulator on evaluation board.

Typical Phase Noise

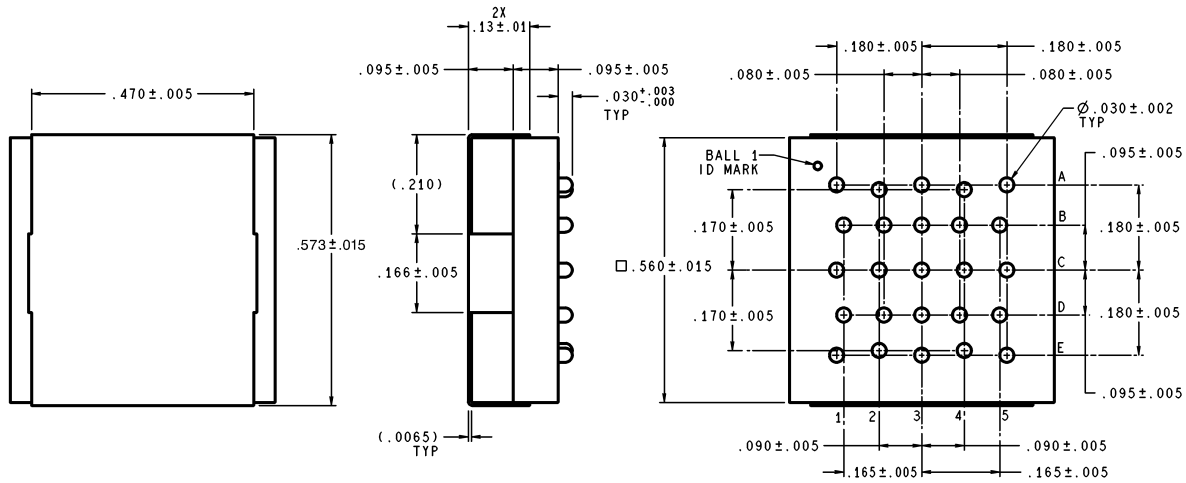


Note: Phase noise was measured using HP3048, FM Discriminator method. Delay line approximately 95 nS.

Typical Lock Time BL1577A



Physical Dimensions inches (millimeters) unless otherwise noted



DIMENSIONS ARE IN INCHES

SB25A (Rev B)

**25-Pin CBGA Package
Order Number LMX9402SB,
NS Package Number SB25A**

LIFE SUPPORT POLICY

NATIONAL'S PRODUCTS ARE NOT AUTHORIZED FOR USE AS CRITICAL COMPONENTS IN LIFE SUPPORT DEVICES OR SYSTEMS WITHOUT THE EXPRESS WRITTEN APPROVAL OF THE PRESIDENT AND GENERAL COUNSEL OF NATIONAL SEMICONDUCTOR CORPORATION. As used herein:

1. Life support devices or systems are devices or systems which, (a) are intended for surgical implant into the body, or (b) support or sustain life, and whose failure to perform when properly used in accordance with instructions for use provided in the labeling, can be reasonably expected to result in a significant injury to the user.
2. A critical component is any component of a life support device or system whose failure to perform can be reasonably expected to cause the failure of the life support device or system, or to affect its safety or effectiveness.

 **National Semiconductor Corporation**
Americas
Tel: 1-800-272-9959
Fax: 1-800-737-7018
Email: support@nsc.com
www.national.com

National Semiconductor Europe
Fax: +49 (0) 180-530 85 86
Email: europe.support@nsc.com
Deutsch Tel: +49 (0) 69 9508 6208
English Tel: +44 (0) 870 24 0 2171
Français Tel: +33 (0) 1 41 91 8790

National Semiconductor Asia Pacific Customer Response Group
Tel: 65-2544466
Fax: 65-2504466
Email: ap.support@nsc.com

National Semiconductor Japan Ltd.
Tel: 81-3-5639-7560
Fax: 81-3-5639-7507

IMPORTANT NOTICE

Texas Instruments Incorporated and its subsidiaries (TI) reserve the right to make corrections, modifications, enhancements, improvements, and other changes to its products and services at any time and to discontinue any product or service without notice. Customers should obtain the latest relevant information before placing orders and should verify that such information is current and complete. All products are sold subject to TI's terms and conditions of sale supplied at the time of order acknowledgment.

TI warrants performance of its hardware products to the specifications applicable at the time of sale in accordance with TI's standard warranty. Testing and other quality control techniques are used to the extent TI deems necessary to support this warranty. Except where mandated by government requirements, testing of all parameters of each product is not necessarily performed.

TI assumes no liability for applications assistance or customer product design. Customers are responsible for their products and applications using TI components. To minimize the risks associated with customer products and applications, customers should provide adequate design and operating safeguards.

TI does not warrant or represent that any license, either express or implied, is granted under any TI patent right, copyright, mask work right, or other TI intellectual property right relating to any combination, machine, or process in which TI products or services are used. Information published by TI regarding third-party products or services does not constitute a license from TI to use such products or services or a warranty or endorsement thereof. Use of such information may require a license from a third party under the patents or other intellectual property of the third party, or a license from TI under the patents or other intellectual property of TI.

Reproduction of TI information in TI data books or data sheets is permissible only if reproduction is without alteration and is accompanied by all associated warranties, conditions, limitations, and notices. Reproduction of this information with alteration is an unfair and deceptive business practice. TI is not responsible or liable for such altered documentation. Information of third parties may be subject to additional restrictions.

Resale of TI products or services with statements different from or beyond the parameters stated by TI for that product or service voids all express and any implied warranties for the associated TI product or service and is an unfair and deceptive business practice. TI is not responsible or liable for any such statements.

TI products are not authorized for use in safety-critical applications (such as life support) where a failure of the TI product would reasonably be expected to cause severe personal injury or death, unless officers of the parties have executed an agreement specifically governing such use. Buyers represent that they have all necessary expertise in the safety and regulatory ramifications of their applications, and acknowledge and agree that they are solely responsible for all legal, regulatory and safety-related requirements concerning their products and any use of TI products in such safety-critical applications, notwithstanding any applications-related information or support that may be provided by TI. Further, Buyers must fully indemnify TI and its representatives against any damages arising out of the use of TI products in such safety-critical applications.

TI products are neither designed nor intended for use in military/aerospace applications or environments unless the TI products are specifically designated by TI as military-grade or "enhanced plastic." Only products designated by TI as military-grade meet military specifications. Buyers acknowledge and agree that any such use of TI products which TI has not designated as military-grade is solely at the Buyer's risk, and that they are solely responsible for compliance with all legal and regulatory requirements in connection with such use.

TI products are neither designed nor intended for use in automotive applications or environments unless the specific TI products are designated by TI as compliant with ISO/TS 16949 requirements. Buyers acknowledge and agree that, if they use any non-designated products in automotive applications, TI will not be responsible for any failure to meet such requirements.

Following are URLs where you can obtain information on other Texas Instruments products and application solutions:

Products

Audio	www.ti.com/audio
Amplifiers	amplifier.ti.com
Data Converters	dataconverter.ti.com
DLP® Products	www.dlp.com
DSP	dsp.ti.com
Clocks and Timers	www.ti.com/clocks
Interface	interface.ti.com
Logic	logic.ti.com
Power Mgmt	power.ti.com
Microcontrollers	microcontroller.ti.com
RFID	www.ti-rfid.com
OMAP Mobile Processors	www.ti.com/omap
Wireless Connectivity	www.ti.com/wirelessconnectivity

Applications

Communications and Telecom	www.ti.com/communications
Computers and Peripherals	www.ti.com/computers
Consumer Electronics	www.ti.com/consumer-apps
Energy and Lighting	www.ti.com/energy
Industrial	www.ti.com/industrial
Medical	www.ti.com/medical
Security	www.ti.com/security
Space, Avionics and Defense	www.ti.com/space-avionics-defense
Transportation and Automotive	www.ti.com/automotive
Video and Imaging	www.ti.com/video

TI E2E Community Home Page

e2e.ti.com

Mailing Address: Texas Instruments, Post Office Box 655303, Dallas, Texas 75265
Copyright © 2011, Texas Instruments Incorporated