

## LMS33460 3V Under Voltage Detector

Check for Samples: [LMS33460](#)

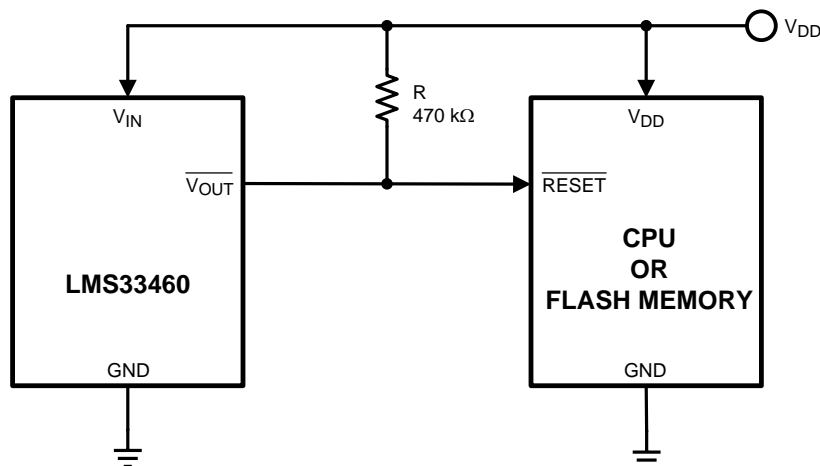
### FEATURES

- Ultra Low Power
- 3.0V Detection
- $V_{IN}$  Range: 0.8V to 7.0V
- Open Drain Output
- Ultra-small SC70-5 Package
- Extended Temperature Range ( $-40^{\circ}\text{C}$  to  $85^{\circ}\text{C}$ )
- Ultra Low Quiescent Current ( $1\mu\text{A}$  typ)

### APPLICATIONS

- Low Battery Voltage Detector
- Power Fail Indicator
- Processor Reset Generator
- Battery Backup Control
- Battery Operated Equipment
- Hand-held Instruments

### Typical Application



### DESCRIPTION

The LMS33460 is an under voltage detector with a 3.0V threshold and extremely low power consumption. The LMS33460 is specifically designed to accurately monitor power supplies. It is especially suited to battery powered systems where low quiescent current and small size are required. This IC generates an active output whenever the input voltage drops below 3.0 Volts.

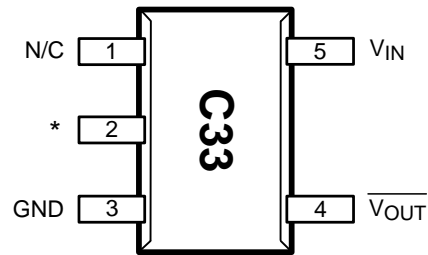
This part uses a precision on-chip voltage reference and a comparator to measure the input voltage. Built in hysteresis helps to prevent erratic operation in the presence of noise. The UVD is available in the ultra-miniature SC70-5 package.



Please be aware that an important notice concerning availability, standard warranty, and use in critical applications of Texas Instruments semiconductor products and disclaimers thereto appears at the end of this data sheet.

All trademarks are the property of their respective owners.

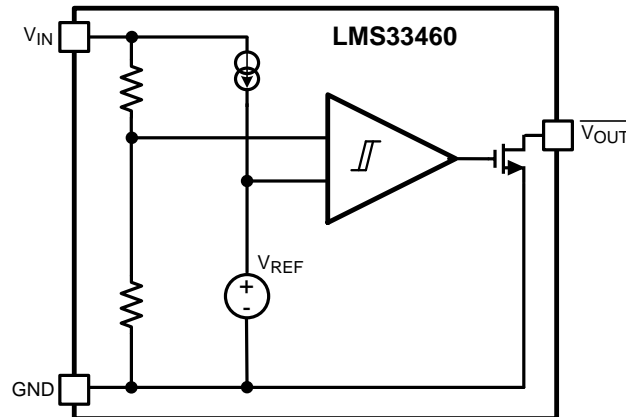
## Connection Diagram



\* Pin 2 is internally connected to Pin 3 (GND).  
Pin 2 should be left open or connected to ground.

**Figure 1. SC70-5  
Top View**

## Block Diagram





These devices have limited built-in ESD protection. The leads should be shorted together or the device placed in conductive foam during storage or handling to prevent electrostatic damage to the MOS gates.

## ABSOLUTE MAXIMUM RATINGS<sup>(1)</sup>

Input Voltage to GND	8.0V
Output Voltage to GND	8.0V
Output Continuous Output Current	30mA
Vapor Phase IR Convection Reflow	240°C
ESD Rating <sup>(2)</sup>	
Human Body Model	2500V
Machine Model	200V
T <sub>JMAX</sub> <sup>(3)</sup>	150°C
θ <sub>JA</sub> <sup>(3)</sup>	478°C/W

- (1) Absolute maximum ratings indicate limits beyond which damage to the device may occur. Electrical specifications do not apply when operating the device beyond its rated operating conditions.  
 (2) Human Body Model (HBM): 1.5kΩ in series with 100pF; Machine Model (MM): 0Ω in series with 200pF.  
 (3) Quiescent current will increase substantially above 5.5 volts, but is very low in the normal range below 5.5 volts.

## TEMPERATURE RANGE

Operating Junction	-40°C to +85°C
Storage Temperature Range	-65°C to +150°C

## ELECTRICAL CHARACTERISTICS

Unless otherwise specified, all limits specified for T<sub>J</sub> = 25°C. **Boldface** limits apply at the temperature extremes.

Symbol	Parameter	Conditions	Min	Typ	Max	Units
V <sub>DET</sub>	Detector Threshold	V <sub>IN</sub> Falling	2.85	3.0	3.15	V
V <sub>HYS</sub>	Detector Voltage Hysteresis	V <sub>IN</sub> Rising	0.095	0.155	0.215	V
I <sub>IN</sub>	Input Supply Current	V <sub>IN</sub> = 2.87V	–	1.0	2.2	μA
		V <sub>IN</sub> = 4.7V	–	1.2	3.6	μA
		V <sub>IN</sub> = 7.0V <sup>(1)</sup>	–	25	200	μA
V <sub>IN(MAX)</sub>	Maximum Operating Voltage		–	–	7.0	V
V <sub>IN(MIN)</sub>	Minimum Operating Voltage <sup>(2)</sup>		–	0.7 <b>1.0</b>	1.1 <b>1.3</b>	V
I <sub>OUT(LOW)</sub>	Output Current Low	V <sub>OUT</sub> = 0.05V, V <sub>IN</sub> = 1.1V V <sub>OUT</sub> = 0.50V, V <sub>IN</sub> = 1.5V	0.01 2	0.6 11	–	mA
t <sub>PDHL</sub>	Output Delay Time Output Transition High to Low C <sub>L</sub> = 10pF, R <sub>L</sub> = 470kΩ		–	130	200	μsec
ΔV <sub>DET</sub> /ΔT	Detect Voltage Temperature Coefficient		–	<b>±120</b>	–	PPM/°C

- (1) Quiescent current will increase substantially above 5.5 volts, but is very low in the normal range below 5.5 volts.  
 (2) Temperature range specifications is specified by design.

**TYPICAL CHARACTERISTICS**

( $T_A = 25^\circ\text{C}$ ,  $R_L = 470\text{ k}\Omega$  and  $C_L = 10\text{ pF}$  unless otherwise noted).

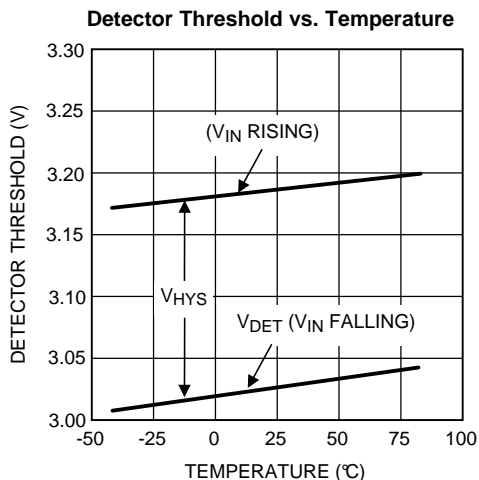


Figure 2.

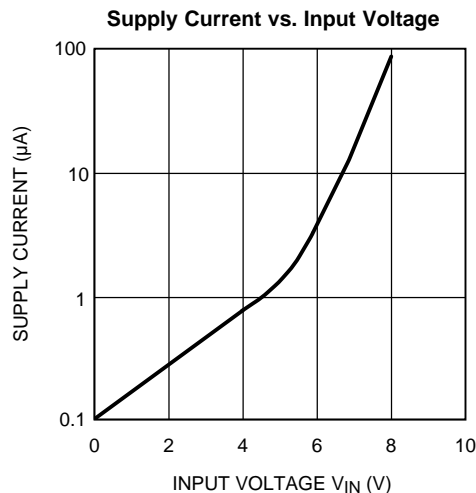


Figure 3.

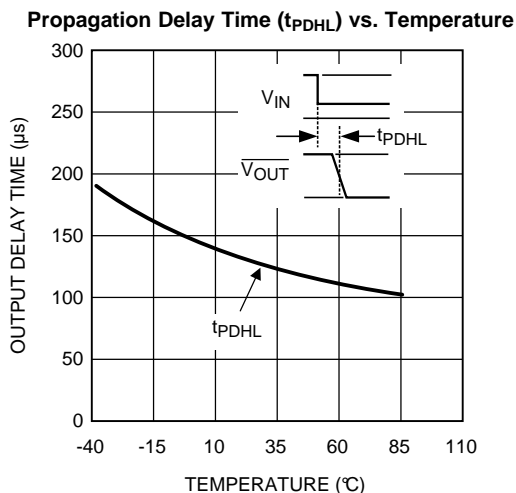


Figure 4.

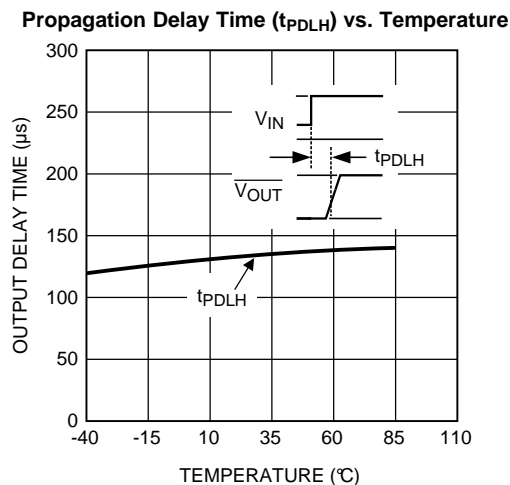


Figure 5.

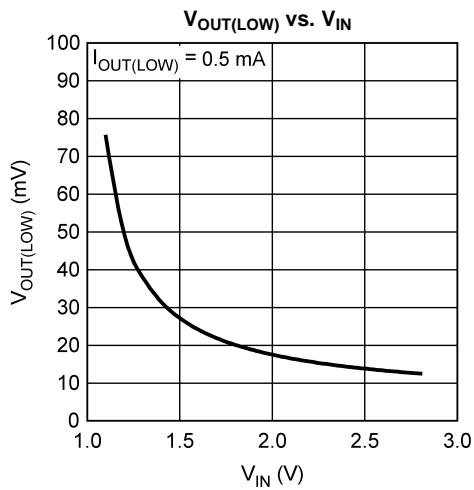


Figure 6.

### APPLICATION CIRCUIT INFORMATION

The LMS33460 is a micro power under voltage sensing circuit with an open drain output configuration, which requires a pull resistor.

The LMS33460 features a voltage reference, a comparator with precise thresholds and built in hysteresis to prevent erratic reset operation.

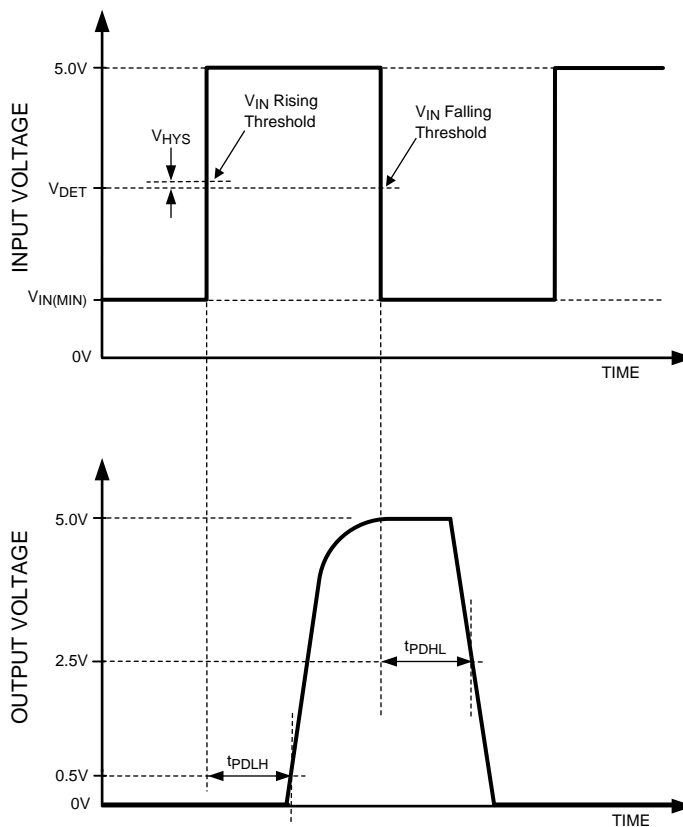


Figure 7. Propagation Delay Timing Diagram

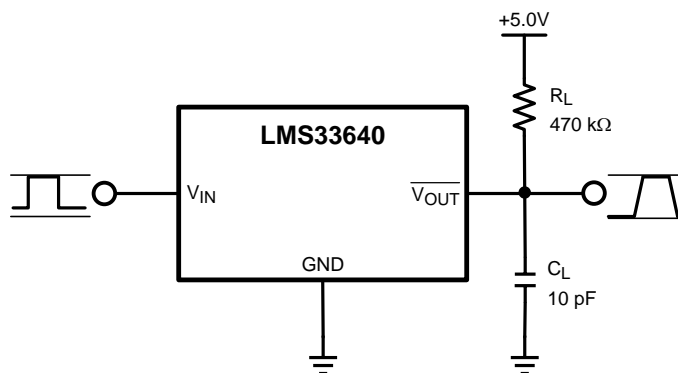




Figure 8. Propagation Delay Test Circuit

**PACKAGING INFORMATION**

Orderable Device	Status (1)	Package Type	Package Drawing	Pins	Package Qty	Eco Plan (2)	Lead/Ball Finish	MSL Peak Temp (3)	Op Temp (°C)	Top-Side Markings (4)	Samples
LMS33460MG	ACTIVE	SC70	DCK	5	1000	TBD	CU SNPB	Level-1-260C-UNLIM	-40 to 85	C33	
LMS33460MG/NOPB	ACTIVE	SC70	DCK	5	1000	Green (RoHS & no Sb/Br)	CU SN	Level-1-260C-UNLIM	-40 to 85	C33	

(1) The marketing status values are defined as follows:

**ACTIVE:** Product device recommended for new designs.

**LIFEBUY:** TI has announced that the device will be discontinued, and a lifetime-buy period is in effect.

**NRND:** Not recommended for new designs. Device is in production to support existing customers, but TI does not recommend using this part in a new design.

**PREVIEW:** Device has been announced but is not in production. Samples may or may not be available.

**OBSOLETE:** TI has discontinued the production of the device.

(2) Eco Plan - The planned eco-friendly classification: Pb-Free (RoHS), Pb-Free (RoHS Exempt), or Green (RoHS & no Sb/Br) - please check <http://www.ti.com/productcontent> for the latest availability information and additional product content details.

**TBD:** The Pb-Free/Green conversion plan has not been defined.

**Pb-Free (RoHS):** TI's terms "Lead-Free" or "Pb-Free" mean semiconductor products that are compatible with the current RoHS requirements for all 6 substances, including the requirement that lead not exceed 0.1% by weight in homogeneous materials. Where designed to be soldered at high temperatures, TI Pb-Free products are suitable for use in specified lead-free processes.

**Pb-Free (RoHS Exempt):** This component has a RoHS exemption for either 1) lead-based flip-chip solder bumps used between the die and package, or 2) lead-based die adhesive used between the die and leadframe. The component is otherwise considered Pb-Free (RoHS compatible) as defined above.

**Green (RoHS & no Sb/Br):** TI defines "Green" to mean Pb-Free (RoHS compatible), and free of Bromine (Br) and Antimony (Sb) based flame retardants (Br or Sb do not exceed 0.1% by weight in homogeneous material)

(3) MSL, Peak Temp. -- The Moisture Sensitivity Level rating according to the JEDEC industry standard classifications, and peak solder temperature.

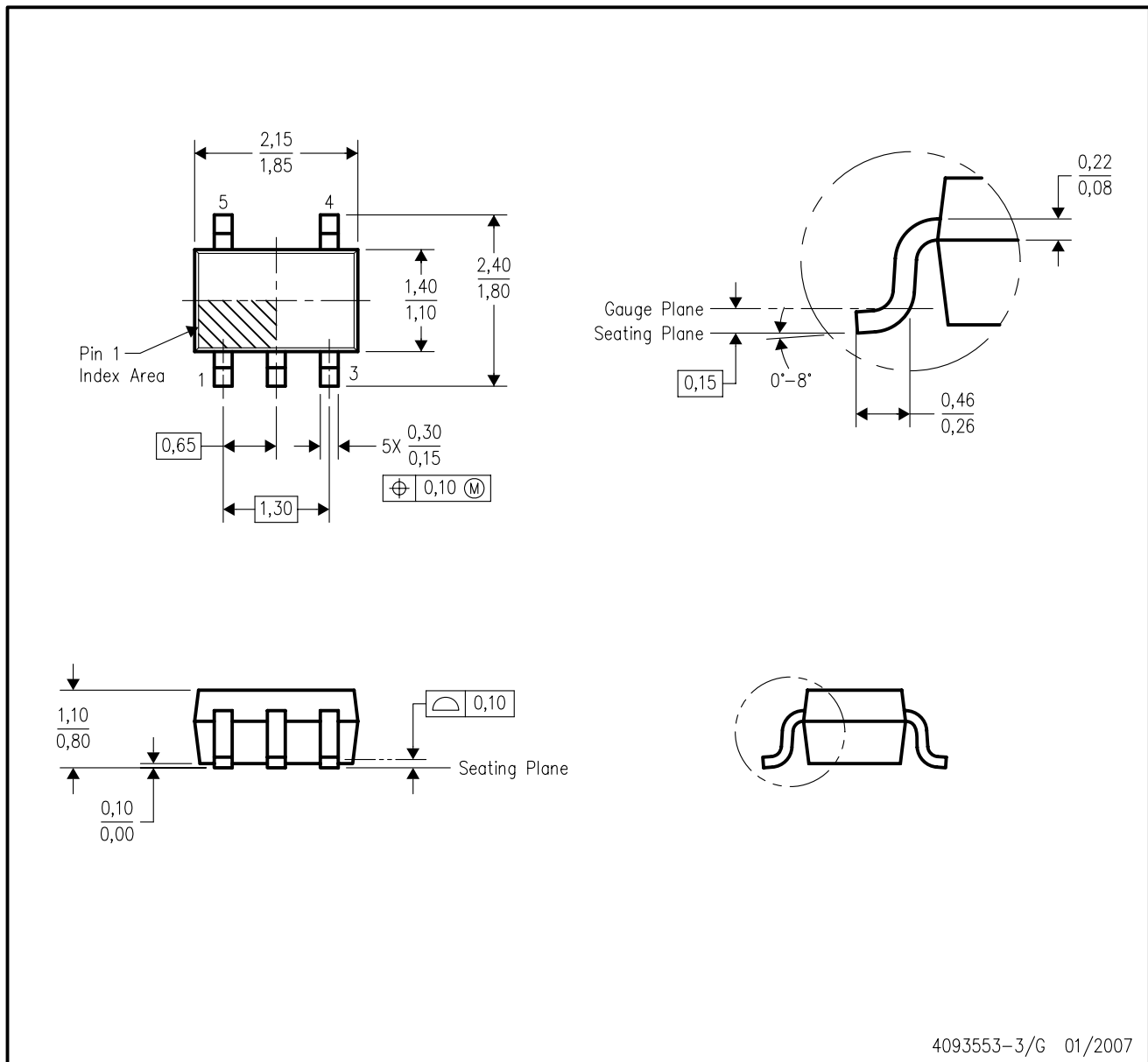
(4) Only one of markings shown within the brackets will appear on the physical device.

**Important Information and Disclaimer:** The information provided on this page represents TI's knowledge and belief as of the date that it is provided. TI bases its knowledge and belief on information provided by third parties, and makes no representation or warranty as to the accuracy of such information. Efforts are underway to better integrate information from third parties. TI has taken and continues to take reasonable steps to provide representative and accurate information but may not have conducted destructive testing or chemical analysis on incoming materials and chemicals. TI and TI suppliers consider certain information to be proprietary, and thus CAS numbers and other limited information may not be available for release.

In no event shall TI's liability arising out of such information exceed the total purchase price of the TI part(s) at issue in this document sold by TI to Customer on an annual basis.

DCK (R-PDSO-G5)

PLASTIC SMALL-OUTLINE PACKAGE



- NOTES:
- All linear dimensions are in millimeters.
  - This drawing is subject to change without notice.
  - Body dimensions do not include mold flash or protrusion. Mold flash and protrusion shall not exceed 0.15 per side.
  - Falls within JEDEC MO-203 variation AA.

## IMPORTANT NOTICE

Texas Instruments Incorporated and its subsidiaries (TI) reserve the right to make corrections, enhancements, improvements and other changes to its semiconductor products and services per JESD46, latest issue, and to discontinue any product or service per JESD48, latest issue. Buyers should obtain the latest relevant information before placing orders and should verify that such information is current and complete. All semiconductor products (also referred to herein as "components") are sold subject to TI's terms and conditions of sale supplied at the time of order acknowledgment.

TI warrants performance of its components to the specifications applicable at the time of sale, in accordance with the warranty in TI's terms and conditions of sale of semiconductor products. Testing and other quality control techniques are used to the extent TI deems necessary to support this warranty. Except where mandated by applicable law, testing of all parameters of each component is not necessarily performed.

TI assumes no liability for applications assistance or the design of Buyers' products. Buyers are responsible for their products and applications using TI components. To minimize the risks associated with Buyers' products and applications, Buyers should provide adequate design and operating safeguards.

TI does not warrant or represent that any license, either express or implied, is granted under any patent right, copyright, mask work right, or other intellectual property right relating to any combination, machine, or process in which TI components or services are used. Information published by TI regarding third-party products or services does not constitute a license to use such products or services or a warranty or endorsement thereof. Use of such information may require a license from a third party under the patents or other intellectual property of the third party, or a license from TI under the patents or other intellectual property of TI.

Reproduction of significant portions of TI information in TI data books or data sheets is permissible only if reproduction is without alteration and is accompanied by all associated warranties, conditions, limitations, and notices. TI is not responsible or liable for such altered documentation. Information of third parties may be subject to additional restrictions.

Resale of TI components or services with statements different from or beyond the parameters stated by TI for that component or service voids all express and any implied warranties for the associated TI component or service and is an unfair and deceptive business practice. TI is not responsible or liable for any such statements.

Buyer acknowledges and agrees that it is solely responsible for compliance with all legal, regulatory and safety-related requirements concerning its products, and any use of TI components in its applications, notwithstanding any applications-related information or support that may be provided by TI. Buyer represents and agrees that it has all the necessary expertise to create and implement safeguards which anticipate dangerous consequences of failures, monitor failures and their consequences, lessen the likelihood of failures that might cause harm and take appropriate remedial actions. Buyer will fully indemnify TI and its representatives against any damages arising out of the use of any TI components in safety-critical applications.

In some cases, TI components may be promoted specifically to facilitate safety-related applications. With such components, TI's goal is to help enable customers to design and create their own end-product solutions that meet applicable functional safety standards and requirements. Nonetheless, such components are subject to these terms.

No TI components are authorized for use in FDA Class III (or similar life-critical medical equipment) unless authorized officers of the parties have executed a special agreement specifically governing such use.

Only those TI components which TI has specifically designated as military grade or "enhanced plastic" are designed and intended for use in military/aerospace applications or environments. Buyer acknowledges and agrees that any military or aerospace use of TI components which have **not** been so designated is solely at the Buyer's risk, and that Buyer is solely responsible for compliance with all legal and regulatory requirements in connection with such use.

TI has specifically designated certain components as meeting ISO/TS16949 requirements, mainly for automotive use. In any case of use of non-designated products, TI will not be responsible for any failure to meet ISO/TS16949.

### Products

Audio	<a href="http://www.ti.com/audio">www.ti.com/audio</a>
Amplifiers	<a href="http://amplifier.ti.com">amplifier.ti.com</a>
Data Converters	<a href="http://dataconverter.ti.com">dataconverter.ti.com</a>
DLP® Products	<a href="http://www.dlp.com">www.dlp.com</a>
DSP	<a href="http://dsp.ti.com">dsp.ti.com</a>
Clocks and Timers	<a href="http://www.ti.com/clocks">www.ti.com/clocks</a>
Interface	<a href="http://interface.ti.com">interface.ti.com</a>
Logic	<a href="http://logic.ti.com">logic.ti.com</a>
Power Mgmt	<a href="http://power.ti.com">power.ti.com</a>
Microcontrollers	<a href="http://microcontroller.ti.com">microcontroller.ti.com</a>
RFID	<a href="http://www.ti-rfid.com">www.ti-rfid.com</a>
OMAP Applications Processors	<a href="http://www.ti.com/omap">www.ti.com/omap</a>
Wireless Connectivity	<a href="http://www.ti.com/wirelessconnectivity">www.ti.com/wirelessconnectivity</a>

### Applications

Automotive and Transportation	<a href="http://www.ti.com/automotive">www.ti.com/automotive</a>
Communications and Telecom	<a href="http://www.ti.com/communications">www.ti.com/communications</a>
Computers and Peripherals	<a href="http://www.ti.com/computers">www.ti.com/computers</a>
Consumer Electronics	<a href="http://www.ti.com/consumer-apps">www.ti.com/consumer-apps</a>
Energy and Lighting	<a href="http://www.ti.com/energy">www.ti.com/energy</a>
Industrial	<a href="http://www.ti.com/industrial">www.ti.com/industrial</a>
Medical	<a href="http://www.ti.com/medical">www.ti.com/medical</a>
Security	<a href="http://www.ti.com/security">www.ti.com/security</a>
Space, Avionics and Defense	<a href="http://www.ti.com/space-avionics-defense">www.ti.com/space-avionics-defense</a>
Video and Imaging	<a href="http://www.ti.com/video">www.ti.com/video</a>

### TI E2E Community

[e2e.ti.com](http://e2e.ti.com)