

LME49880 Overture[®]

E-Series Dual JFET Input Audio Operational Amplifier

Check for Samples: [LME49880](#)

FEATURES

- Easily drives 600Ω loads
- Output short circuit protection

APPLICATIONS

- Ultra high quality audio signal processing
- Preamplifier
- Spectrum analyzers
- Ultrasound preamplifier
- Active filters

DESCRIPTION

The LME49880 is part of the ultra-low distortion, low noise, high slew rate operational amplifier series optimized and fully specified for high performance, high fidelity application. The LME49880 is developed in JFET technology and reducing the flicker noise as well as the noise corner frequency significantly. It combines low voltage noise density ($7\text{nV}/\sqrt{\text{Hz}}$) with very low THD+N (0.00003%). The LME49880 has a high slew rate of $\pm 17\text{ V}/\mu\text{s}$ and an output current capability of $\pm 22\text{ mA}$. It drives 600Ω loads to within 1.3V of either power supply voltage.

The LME49880 has a wide supply range of $\pm 5\text{ V}$ to $\pm 17\text{ V}$. Its outstanding GAIN (120dB), and low input bias current (5pA) give the amplifier excellent operational amplifier DC performance. The LME49880 is unity gain stable and capable of driving complex loads with values as high as 100pF. It is available in an 8-lead narrow body PSOP.

Table 1. Key Specifications

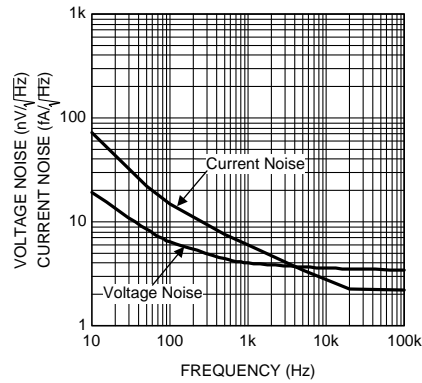
	VALUE	UNIT
Input Bias Current	5	pA (typ)
Power Supply Voltage Range	$\pm 5\text{ V}$ to ± 17	V
THD+N ($A_V = 1$, $V_{OUT} = 3V_{RMS}$, $f_{IN} = 1\text{ kHz}$)		
$R_L = 2\text{ k}\Omega$	0.00003	% (typ)
$R_L = 600\Omega$	0.00003	% (typ)
Slew Rate	± 17	$\text{V}/\mu\text{s}$ (typ)
Gain Bandwidth Product	25	MHz (typ)
Open Loop Gain ($R_L = 600\Omega$)	115	dB (typ)
Input Noise Density	7	$\text{nV}/\sqrt{\text{Hz}}$ (typ)
Input Offset Voltage	5	mV (typ)
CMRR	110	dB (typ)



Please be aware that an important notice concerning availability, standard warranty, and use in critical applications of Texas Instruments semiconductor products and disclaimers thereto appears at the end of this data sheet.

Overture is a registered trademark of Texas Instruments.
All other trademarks are the property of their respective owners.

Typical Application



temp_300596t9

Figure 1. Current Noise and Voltage Spectral Density

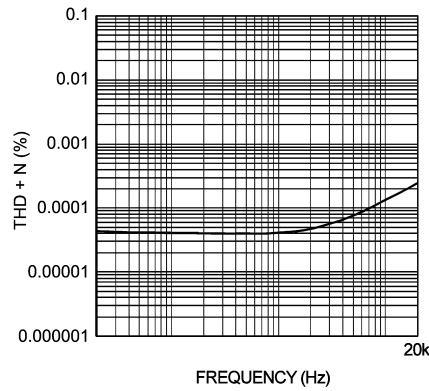


Figure 2. THD+N vs Frequency
 $V_{CC} = \pm 15V$, $V_O = 3V_{RMS}$, $R_L = 600\Omega$

Connection Diagram

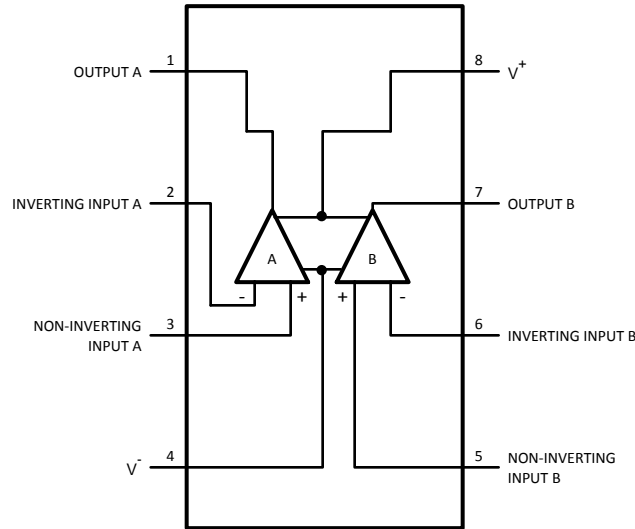


Figure 3. Order Number LME49880MR



These devices have limited built-in ESD protection. The leads should be shorted together or the device placed in conductive foam during storage or handling to prevent electrostatic damage to the MOS gates.

Absolute Maximum Ratings ⁽¹⁾

Power Supply Voltage ($V_S = V^+ - V^-$)	36V
Storage Temperature	-65°C to 150°C
Input Voltage	(V^-) - 0.3V to (V^+) + 0.3V
Output Short Circuit ⁽²⁾	Continuous
Power Dissipation	Internally Limited
ESD Rating ⁽³⁾	2000V
ESD Rating ⁽⁴⁾	200V
ESD Rating ⁽⁵⁾	1000V
Junction Temperature	150°C
Thermal Resistance	
θ_{JA} (PSOP)	55°C/W
Solder Information	
Infrared or Convection (20 sec)	260°C

- (1) "Absolute Maximum Ratings" indicate limits beyond which damage to the device may occur, including inoperability and degradation of device reliability and/or performance. Functional operation of the device and/or non-degradation at the *Absolute Maximum Ratings* or other conditions beyond those indicated in the *Recommended Operating Conditions* is not implied. The *Recommended Operating Conditions* indicate conditions at which the device is functional and the device should not be operated beyond such conditions. All voltages are measured with respect to the ground pin, unless otherwise specified.
- (2) Amplifier output connected to GND, any number of amplifiers within a package.
- (3) Human body model, applicable std. JESD22-A114C.
- (4) Machine model, applicable std. JESD22-A115-A.
- (5) Charge device model, applicable std JESD22-C101-A.

Operating Ratings ⁽¹⁾

Temperature Range	
$T_{MIN} \leq T_A \leq T_{MAX}$	$-40^{\circ}\text{C} \leq T_A \leq 85^{\circ}\text{C}$
Supply Voltage Range	$\pm 5\text{V} \leq V_S \leq \pm 17\text{V}$

- (1) “*Absolute Maximum Ratings*” indicate limits beyond which damage to the device may occur, including inoperability and degradation of device reliability and/or performance. Functional operation of the device and/or non-degradation at the *Absolute Maximum Ratings* or other conditions beyond those indicated in the *Recommended Operating Conditions* is not implied. The *Recommended Operating Conditions* indicate conditions at which the device is functional and the device should not be operated beyond such conditions. All voltages are measured with respect to the ground pin, unless otherwise specified.

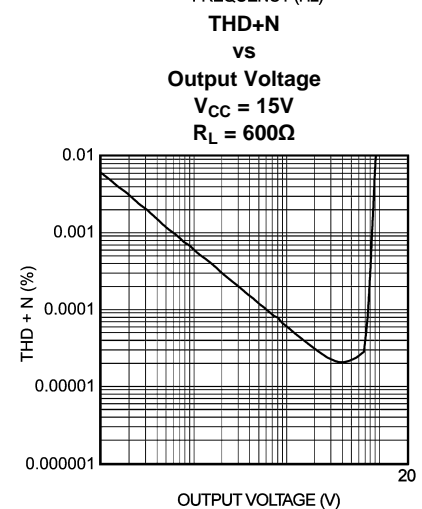
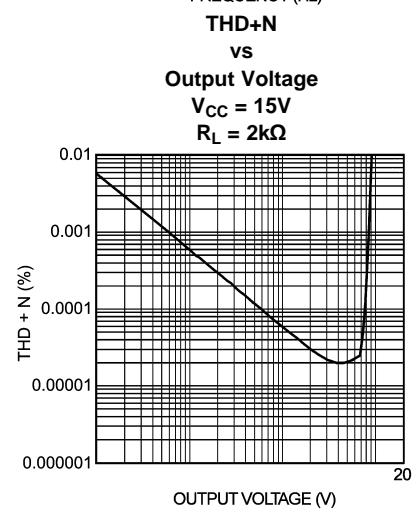
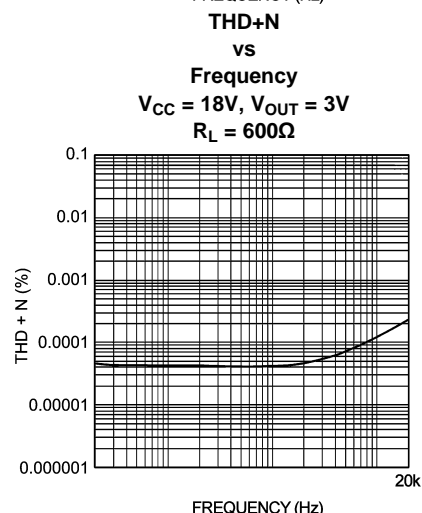
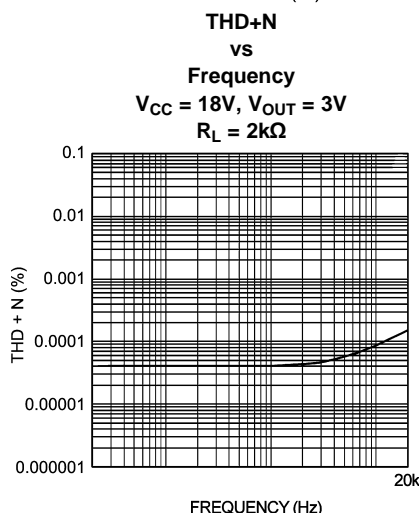
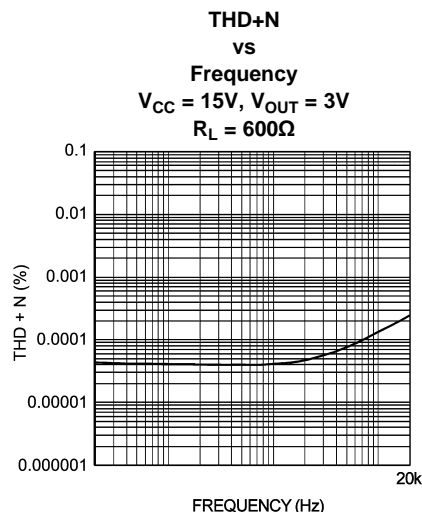
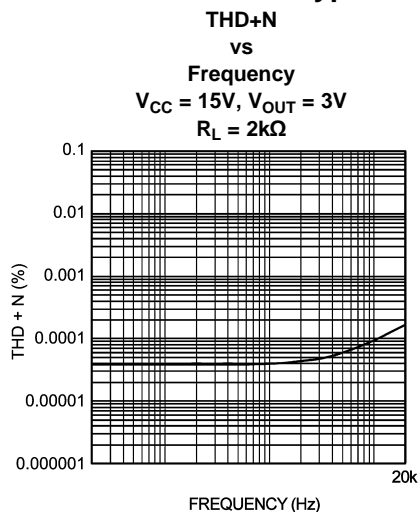
Electrical Characteristics ⁽¹⁾

The following specifications apply for $V_S = \pm 15V$, $T_A = 25^\circ C$, unless otherwise specified.

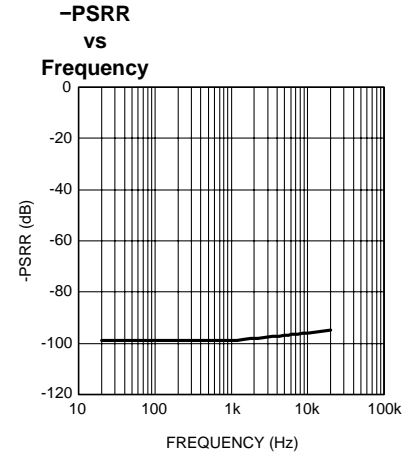
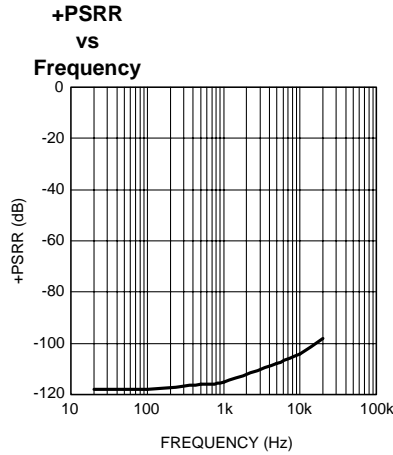
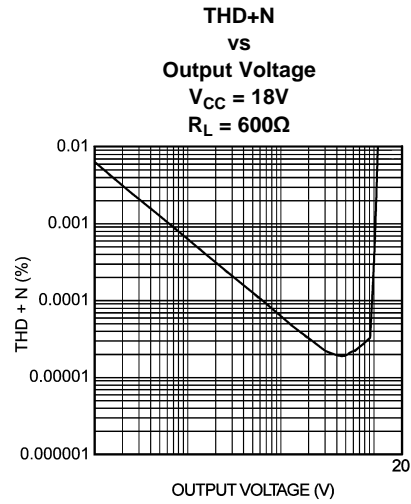
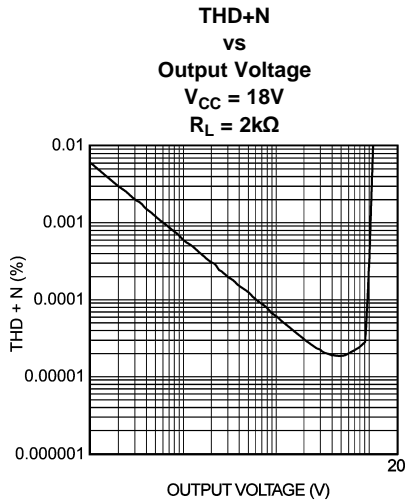
Symbol	Parameter	Conditions	LME49880		Unit s (Limits)
			Typical	Limit	
			(2)	(3)	
THD+N	Total Harmonic Distortion + Noise	$A_V = 1$, $V_{OUT} = 3V_{RMS}$ $R_L = 2k\Omega$ $R_L = 600\Omega$	0.00003 0.00003	0.00009	% (max)
GBWP	Gain Bandwidth Product	$A_V = 1k$, $R_L = 2k$	25	19	MHz (min)
SR	Slew Rate	$R_L = 2k$	± 17	± 12	V/ μs (min)
t_s	Settling time	$A_V = -1$, 10V step, $C_L = 100pF$ 0.1% error range	0.8		μs
e_N	Equivalent Input Noise Voltage	$f_{BW} = 20Hz$ to $20kHz$	0.7	1.6	μV_{RMS} (max)
	Equivalent Input Noise Density	$f = 1kHz$ $f = 10Hz$	7 16	11	nV/ \sqrt{Hz} (max)
i_N	Current Noise Density	$f = 1kHz$	6		fA/ \sqrt{Hz}
V_{OS}	Offset Voltage		± 5	± 10	mV (max)
$\Delta V_{OS}/\Delta Temp$	Average Input Offset Voltage Drift vs Temperature	$-40^\circ C \leq T_A \leq 85^\circ C$	3		$\mu V/^\circ C$
PSRR	Power Supply Rejection Ratio	$V_{CC} = \pm 5V$ to $\pm 15V$	110		dB
I_B	Input Bias Current	$V_{CM} = 0V$	5	150	pA (max)
I_{OS}	Input Offset Current	$V_{CM} = 0V$	2	100	pA (max)
V_{IN-CM}	Common-Mode Input Voltage Range	CMRR > 55dB	+11.5 -11.5	(V+) -5V (V-) +5V	V (min)
CMRR	Common-Mode Rejection	$-10V < V_{cm} < 10V$	110	90	dB (min)
A_{VOL}	Open Loop Voltage Gain	$-10V < V_{out} < 10V$, $R_L = 600\Omega$	115	100	dB (min)
		$-10V < V_{out} < 10V$, $R_L = 2k\Omega$	120	100	dB (min)
		$-10V < V_{out} < 10V$, $R_L = 10k\Omega$	120	100	dB (min)
V_{OUTMAX}	Maximum Output Voltage Swing	$R_L = 600\Omega$	± 13.2	± 12.0	V (min)
		$R_L = 2k\Omega$	± 13.2	± 12.5	V (min)
		$R_L = 10k\Omega$	± 13.2	± 12.5	V (min)
I_{OUT}	Output Current	$R_L = 600\Omega$, $V_S = \pm 17V$	± 26		mA
I_{OUT-CC}	Instantaneous Short Circuit Current		± 48		mA
R_{OUT}	Output Impedance	$f_{IN} = 10kHz$, Open-Loop	15		Ω
I_S	Total Quiescent Current	$I_{OUT} = 0mA$	14	18	mA (max)

- (1) The *Electrical Characteristics* tables list guaranteed specifications under the listed *Recommended Operating Conditions* except as otherwise modified or specified by the *Electrical Characteristics Conditions* and/or Notes. Typical specifications are estimations only and are not guaranteed.
- (2) Typical values represent most likely parametric norms at $T_A = +25^\circ C$, and at the *Recommended Operation Conditions* at the time of product characterization and are not guaranteed.
- (3) Datasheet min/max specification limits are guaranteed by test or statistical analysis.

Typical Performance Characteristics



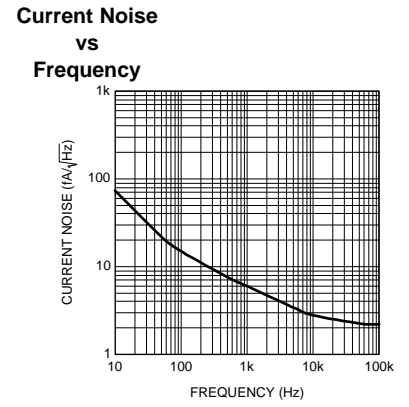
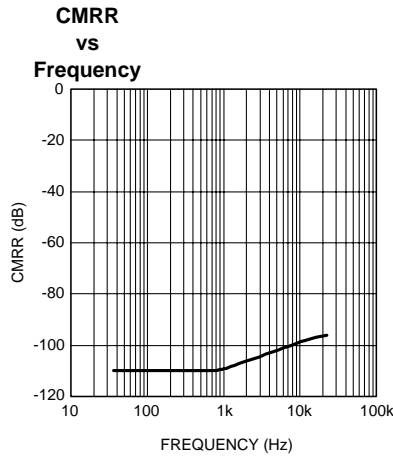
Typical Performance Characteristics (continued)



temp_300596s7

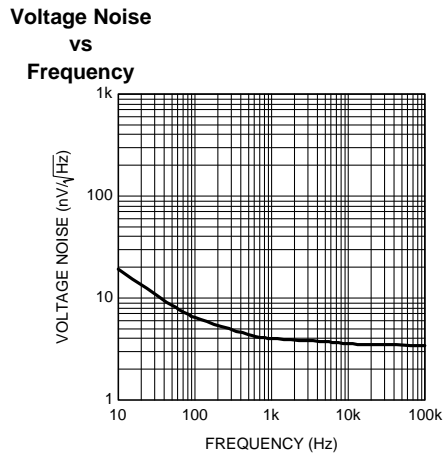
temp_300596t0

Typical Performance Characteristics (continued)



300596t7

temp_300596s8



temp_300596t8

Application Hints

OUTPUT DRIVE AND STABILITY

The LME49880 is unity gain stable within the part's common-mode range. Some instabilities may occur near the limit of the common-mode range. It can drive resistive load 600Ω with output circuit with a typical 26mA. Capacitive loads up to 100pF will cause little change in the phase characteristics of the amplifiers and are therefore allowable.

Capacitive loads greater than 100pF must be isolated from the output. The most straight forward way to do this is to put a resistor in series with the output. This resistor will also prevent excess power dissipation if the output is accidentally shorted. The internal short-circuit protection of LME49880 also prevent the device from damage when the either outputs are being shorted.

The effective load impedance (including feedback resistance) should be kept above 600Ω for fast settling. Load capacitance should also be minimized if good settling time is to be optimized. Large feedback resistors will make the circuit more susceptible to stray capacitance, so in high-speed applications keep the feedback resistors in the 1kΩ to 2kΩ range whenever practical.

OUTPUT COMPENSATION

In most of the audio applications, the device will be operated in a room temperature and compensation networks are not necessary. However, the consideration of network as shown in Figure 3 may be taken into account for some of the high performance audio applications such as high speed data conversion or when operating in a relatively low junction temperature. The compensation network will also provide a small improvement in settling time for the response time demanding applications.

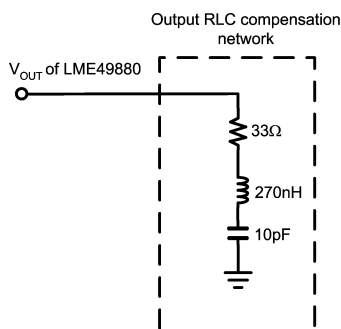


Figure 4. LME49880 Output Compensation Network

PSOP EXPOSED PAD PACKAGE

The LME49880 has an exposed pad on the bottom side of the IC package. Connect the exposed pad to pin 4 (V-) of the IC. The PCB footprint for the exposed pad should be a open polygon of copper to provide a good thermal path away from the LME49880. Use multiple vias on the exposed pad to create better thermal conductivity. Do not route traces below the exposed pad as they risk shorting to the exposed pad.

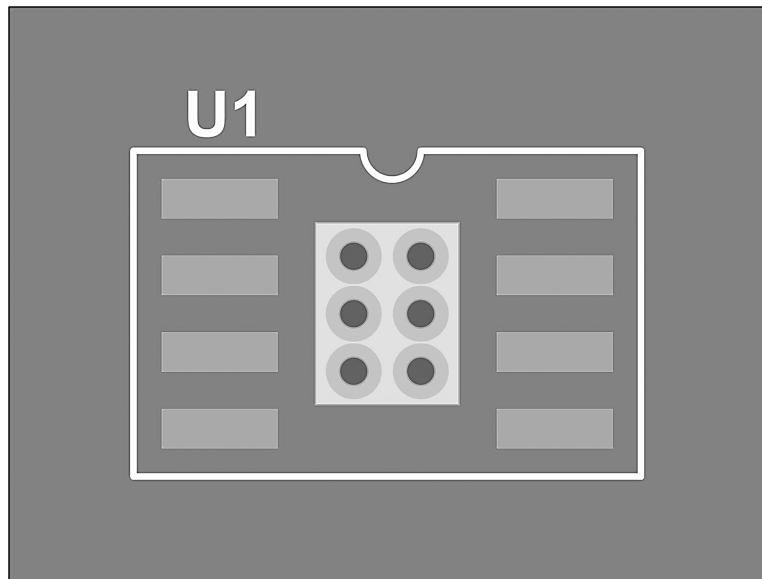


Figure 5. LME49880 Output Compensation Network

SUPPLY BYPASSING

To achieve a low noise and high-speed audio performance, power supply bypassing is extremely important. Applying multiple bypass capacitors is highly recommended. From experiment results, a 10 μ F tantalum, 2.2 μ F ceramic, and a 0.47 μ F ceramic work well. All bypass capacitors leads should be very short. The ground leads of capacitors should also be separated to reduce the inductance to ground. To obtain the best result, a large ground plane layout technique is recommended and it was applied in the LME49880 evaluation board.

Application Information

SETTLING TIME AND SLEW RATE MEASUREMENTS

The settling time of LME49880 may be verified using the test circuit in [Figure 6](#). The LME49880 is connected for inverting operation, and the output voltage is summed with the input voltage step. When the LME49880's output voltage is equal to the input voltage, the voltage on the PROBE 1 will be zero. Any voltage appearing at this point will represent an error. And the settling time is equal to the time required for the error signal displayed on the oscilloscope to decay to less than one-half the necessary accuracy (See Settling Time – Output Swing photo). For a 10V input signal, settling time to 0.01% (1mV) will occur when the displayed error is less than 0.5mV. Since settling time is strongly dependent on slew rate, settling will be faster for smaller signal swings. The LME49880's inverting slew rate is faster than its non-inverting slew rate, so settling will be faster for inverting applications, as well. It is important to note that the oscilloscope input amplifier may be overdriven during a settling time measurement, so the oscilloscope must be capable of recovering from overdrive very quickly. The signal generator used for this measurement must be able to drive 50 Ω with a very clean $\pm 10V_{PP}$ square wave. The Slew Rate of LME49880 tells how fast it responds to a transient or a step input. It may be measured by the test circuit in [Figure 7](#). The Slew Rate of LME49880 is specified in close-loop gain = -1 when the output driving a 1k Ω load at 20V $_{PP}$. The LME49880 behaves very stable in shape step response and have a minimal ringing in both small and large signal step response (See Typical Performance Characteristic). The slew rate typical value reach as high as $\pm 18V/\mu S$ was measured when the output reach -20V refer to the start point when input voltage equals to zero.

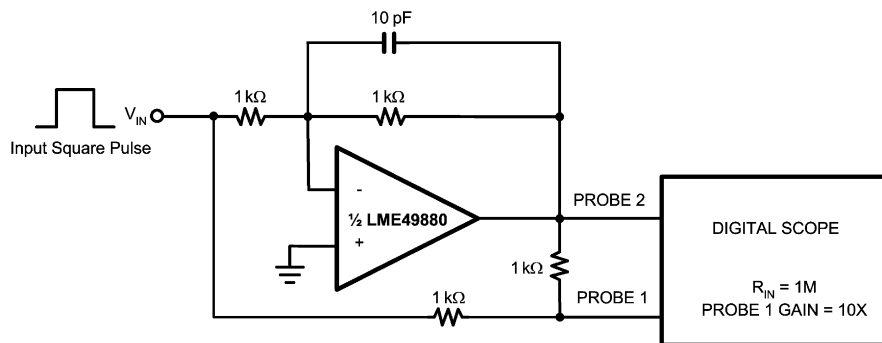


Figure 6. Settling Time Test Circuit

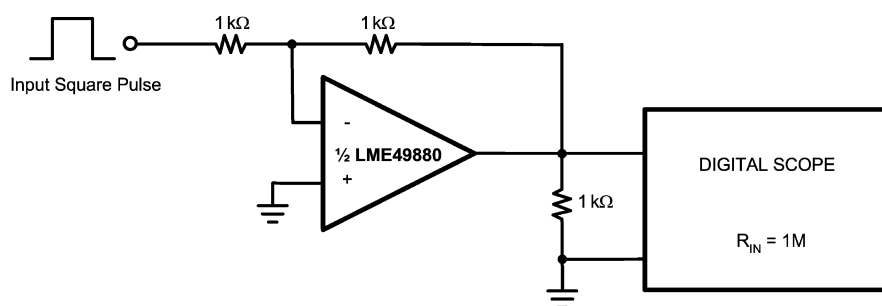


Figure 7. Slew Rate Test Circuit

DISTORTION MEASUREMENTS

The vanishingly low residual distortion produced by LME49880 is below the capabilities of all commercially available equipment. This makes distortion measurements just slightly more difficult than simply connecting a distortion meter to the amplifier's inputs and outputs. The solution, however, is quite simple: an additional resistor. Adding this resistor extends the resolution of the distortion measurement equipment.

The LME49880's low residual distortion is an input referred internal error. As shown in Figure 7, adding the 10Ω resistor connected between the amplifier's inverting and non-inverting inputs changes the amplifier's noise gain. The result is that the error signal (distortion) is amplified by a factor of 101. Although the amplifier's closed-loop gain is unaltered, the feedback available to correct distortion errors is reduced by 101, which means that measurement resolution increases by 101. To ensure minimum effects on distortion measurements, keep the value of R1 low as shown in Figure 7.

This technique is verified by duplicating the measurements with high closed loop gain and/or making the measurements at high frequencies. Doing so produces distortion components that are within the measurement equipment's capabilities. This datasheet's THD+N and IMD values were generated using the above described circuit connected to an Audio Precision System Two Cascade.

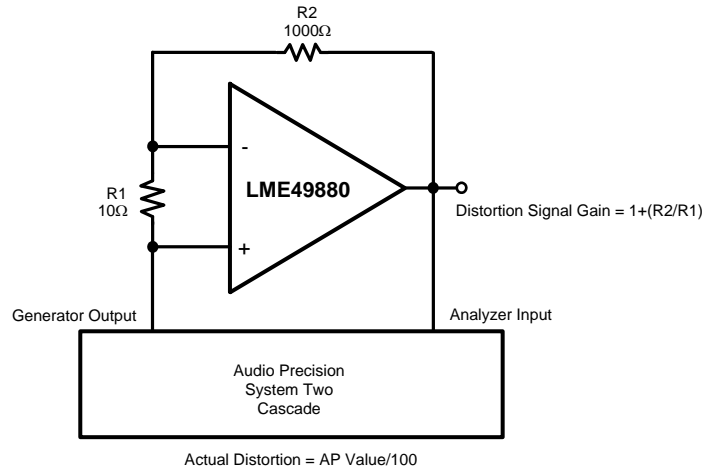
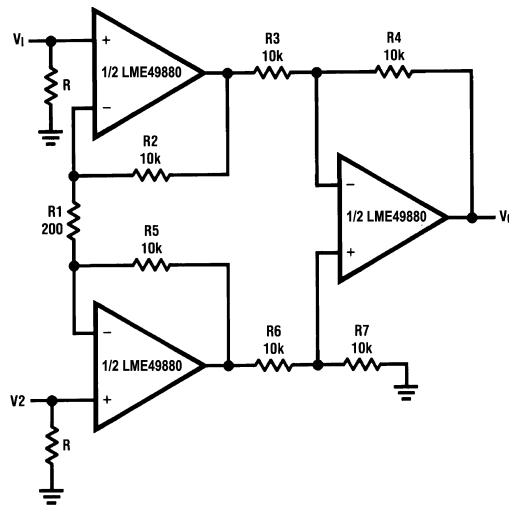


Figure 8. THD+N and IMD Distortion Test Circuit

Typical Applications



If $R2 = R5, R3 = R6, R4 = R7$

$$V_0 = \left(1 + \frac{2R2}{R1}\right) \frac{R4}{R3} (V2 - V1)$$

Illustration is:

$$V_0 = 101(V2 - V1)$$

Figure 9. Balanced Input Mic Amp

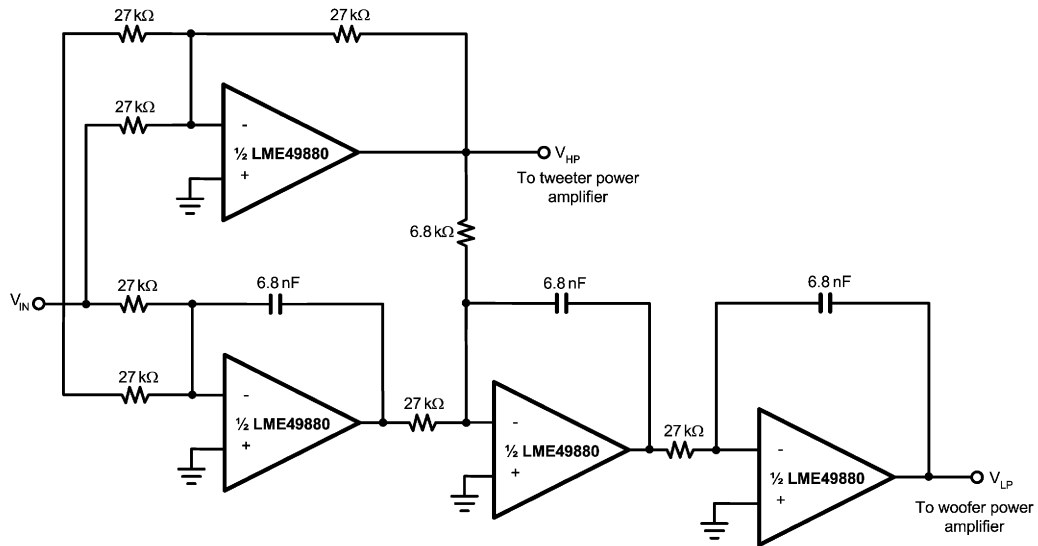


Figure 10. Active Crossover Network for Loudspeaker

Revision History

Rev	Date	Description
1.0	12/16/09	Initial released.
1.01	01/08/10	Input text edits.
1.02	03/22/10	Edited the scaling (Y-axis) on the THD+N curves to match the limits described in the datasheet.

PACKAGING INFORMATION

Orderable Device	Status (1)	Package Type	Package Drawing	Pins	Package Qty	Eco Plan (2)	Lead/Ball Finish	MSL Peak Temp (3)	Op Temp (°C)	Top-Side Markings (4)	Samples
LME49880MR/NOPB	ACTIVE	SO PowerPAD	DDA	8	95	Green (RoHS & no Sb/Br)	CU SN	Level-3-260C-168 HR	-40 to 85	L49880 MR	Samples
LME49880MRX/NOPB	ACTIVE	SO PowerPAD	DDA	8	2500	Green (RoHS & no Sb/Br)	CU SN	Level-3-260C-168 HR	-40 to 85	L49880 MR	Samples

(1) The marketing status values are defined as follows:

ACTIVE: Product device recommended for new designs.

LIFEBUY: TI has announced that the device will be discontinued, and a lifetime-buy period is in effect.

NRND: Not recommended for new designs. Device is in production to support existing customers, but TI does not recommend using this part in a new design.

PREVIEW: Device has been announced but is not in production. Samples may or may not be available.

OBSOLETE: TI has discontinued the production of the device.

(2) Eco Plan - The planned eco-friendly classification: Pb-Free (RoHS), Pb-Free (RoHS Exempt), or Green (RoHS & no Sb/Br) - please check <http://www.ti.com/productcontent> for the latest availability information and additional product content details.

TBD: The Pb-Free/Green conversion plan has not been defined.

Pb-Free (RoHS): TI's terms "Lead-Free" or "Pb-Free" mean semiconductor products that are compatible with the current RoHS requirements for all 6 substances, including the requirement that lead not exceed 0.1% by weight in homogeneous materials. Where designed to be soldered at high temperatures, TI Pb-Free products are suitable for use in specified lead-free processes.

Pb-Free (RoHS Exempt): This component has a RoHS exemption for either 1) lead-based flip-chip solder bumps used between the die and package, or 2) lead-based die adhesive used between the die and leadframe. The component is otherwise considered Pb-Free (RoHS compatible) as defined above.

Green (RoHS & no Sb/Br): TI defines "Green" to mean Pb-Free (RoHS compatible), and free of Bromine (Br) and Antimony (Sb) based flame retardants (Br or Sb do not exceed 0.1% by weight in homogeneous material)

(3) MSL, Peak Temp. -- The Moisture Sensitivity Level rating according to the JEDEC industry standard classifications, and peak solder temperature.

(4) Only one of markings shown within the brackets will appear on the physical device.

Important Information and Disclaimer: The information provided on this page represents TI's knowledge and belief as of the date that it is provided. TI bases its knowledge and belief on information provided by third parties, and makes no representation or warranty as to the accuracy of such information. Efforts are underway to better integrate information from third parties. TI has taken and continues to take reasonable steps to provide representative and accurate information but may not have conducted destructive testing or chemical analysis on incoming materials and chemicals. TI and TI suppliers consider certain information to be proprietary, and thus CAS numbers and other limited information may not be available for release.

In no event shall TI's liability arising out of such information exceed the total purchase price of the TI part(s) at issue in this document sold by TI to Customer on an annual basis.

TAPE AND REEL INFORMATION



QUADRANT ASSIGNMENTS FOR PIN 1 ORIENTATION IN TAPE



*All dimensions are nominal

Device	Package Type	Package Drawing	Pins	SPQ	Reel Diameter (mm)	Reel Width W1 (mm)	A0 (mm)	B0 (mm)	K0 (mm)	P1 (mm)	W (mm)	Pin1 Quadrant
LME49880MRX/NOPB	SO Power PAD	DDA	8	2500	330.0	12.4	6.5	5.4	2.0	8.0	12.0	Q1

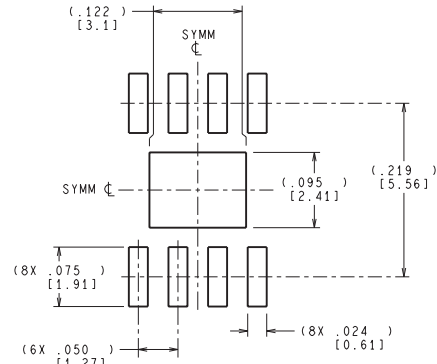
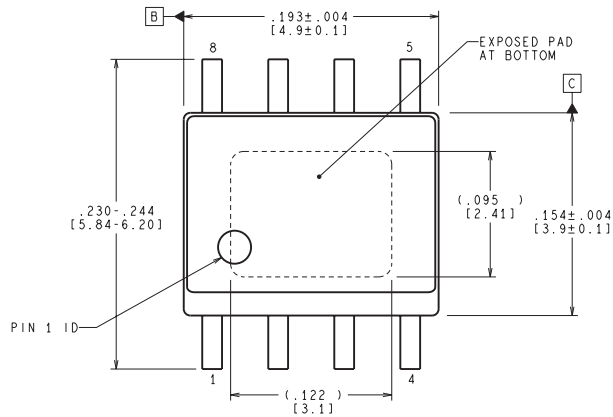
TAPE AND REEL BOX DIMENSIONS



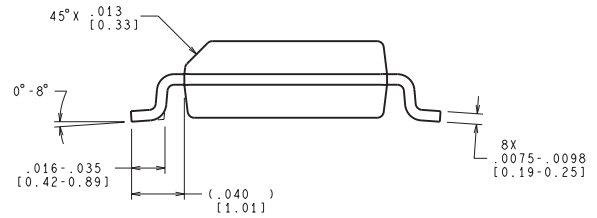
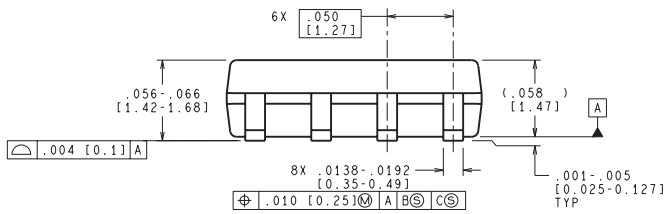
*All dimensions are nominal

Device	Package Type	Package Drawing	Pins	SPQ	Length (mm)	Width (mm)	Height (mm)
LME49880MRX/NOPB	SO PowerPAD	DDA	8	2500	358.0	343.0	63.0

DDA0008B



RECOMMENDED LAND PATTERN



CONTROLLING DIMENSION IS INCH
 VALUES IN [] ARE MILLIMETERS
 DIMENSIONS IN () FOR REFERENCE ONLY

MRA08B (Rev B)

IMPORTANT NOTICE

Texas Instruments Incorporated and its subsidiaries (TI) reserve the right to make corrections, enhancements, improvements and other changes to its semiconductor products and services per JESD46, latest issue, and to discontinue any product or service per JESD48, latest issue. Buyers should obtain the latest relevant information before placing orders and should verify that such information is current and complete. All semiconductor products (also referred to herein as "components") are sold subject to TI's terms and conditions of sale supplied at the time of order acknowledgment.

TI warrants performance of its components to the specifications applicable at the time of sale, in accordance with the warranty in TI's terms and conditions of sale of semiconductor products. Testing and other quality control techniques are used to the extent TI deems necessary to support this warranty. Except where mandated by applicable law, testing of all parameters of each component is not necessarily performed.

TI assumes no liability for applications assistance or the design of Buyers' products. Buyers are responsible for their products and applications using TI components. To minimize the risks associated with Buyers' products and applications, Buyers should provide adequate design and operating safeguards.

TI does not warrant or represent that any license, either express or implied, is granted under any patent right, copyright, mask work right, or other intellectual property right relating to any combination, machine, or process in which TI components or services are used. Information published by TI regarding third-party products or services does not constitute a license to use such products or services or a warranty or endorsement thereof. Use of such information may require a license from a third party under the patents or other intellectual property of the third party, or a license from TI under the patents or other intellectual property of TI.

Reproduction of significant portions of TI information in TI data books or data sheets is permissible only if reproduction is without alteration and is accompanied by all associated warranties, conditions, limitations, and notices. TI is not responsible or liable for such altered documentation. Information of third parties may be subject to additional restrictions.

Resale of TI components or services with statements different from or beyond the parameters stated by TI for that component or service voids all express and any implied warranties for the associated TI component or service and is an unfair and deceptive business practice. TI is not responsible or liable for any such statements.

Buyer acknowledges and agrees that it is solely responsible for compliance with all legal, regulatory and safety-related requirements concerning its products, and any use of TI components in its applications, notwithstanding any applications-related information or support that may be provided by TI. Buyer represents and agrees that it has all the necessary expertise to create and implement safeguards which anticipate dangerous consequences of failures, monitor failures and their consequences, lessen the likelihood of failures that might cause harm and take appropriate remedial actions. Buyer will fully indemnify TI and its representatives against any damages arising out of the use of any TI components in safety-critical applications.

In some cases, TI components may be promoted specifically to facilitate safety-related applications. With such components, TI's goal is to help enable customers to design and create their own end-product solutions that meet applicable functional safety standards and requirements. Nonetheless, such components are subject to these terms.

No TI components are authorized for use in FDA Class III (or similar life-critical medical equipment) unless authorized officers of the parties have executed a special agreement specifically governing such use.

Only those TI components which TI has specifically designated as military grade or "enhanced plastic" are designed and intended for use in military/aerospace applications or environments. Buyer acknowledges and agrees that any military or aerospace use of TI components which have **not** been so designated is solely at the Buyer's risk, and that Buyer is solely responsible for compliance with all legal and regulatory requirements in connection with such use.

TI has specifically designated certain components as meeting ISO/TS16949 requirements, mainly for automotive use. In any case of use of non-designated products, TI will not be responsible for any failure to meet ISO/TS16949.

Products

Audio	www.ti.com/audio
Amplifiers	amplifier.ti.com
Data Converters	dataconverter.ti.com
DLP® Products	www.dlp.com
DSP	dsp.ti.com
Clocks and Timers	www.ti.com/clocks
Interface	interface.ti.com
Logic	logic.ti.com
Power Mgmt	power.ti.com
Microcontrollers	microcontroller.ti.com
RFID	www.ti-rfid.com
OMAP Applications Processors	www.ti.com/omap
Wireless Connectivity	www.ti.com/wirelessconnectivity

Applications

Automotive and Transportation	www.ti.com/automotive
Communications and Telecom	www.ti.com/communications
Computers and Peripherals	www.ti.com/computers
Consumer Electronics	www.ti.com/consumer-apps
Energy and Lighting	www.ti.com/energy
Industrial	www.ti.com/industrial
Medical	www.ti.com/medical
Security	www.ti.com/security
Space, Avionics and Defense	www.ti.com/space-avionics-defense
Video and Imaging	www.ti.com/video

TI E2E Community

e2e.ti.com