

Dual Op Amp with On-Chip Fixed 2.5V Reference

Check for Samples: [LM433](#)

FEATURES

- Dual Op Amp Circuitry
 - (Typical for $V_S = 5V$)
 - Input offset voltage 0.6mV
 - Input offset current 1nA
 - Input bias current 3nA
 - Common-mode input voltage range 0V to $V_S - 1V$
 - Power supply current 150 μ A
- Reference Circuitry

- Reference voltage 2.5V
- Reference voltage deviation ($-40^{\circ}C$ to $85^{\circ}C$) 4mV
- Sink Current Capability 0.2mA to 10mA

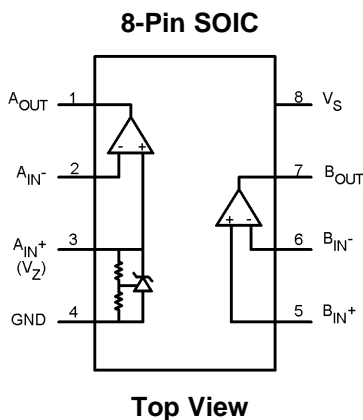
APPLICATIONS

- Low cost charging circuitry
- Power supplies and adapters

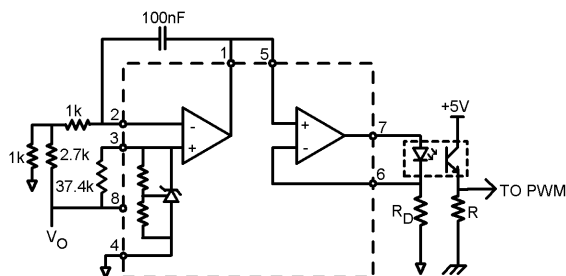
DESCRIPTION

The LM433 integrates two operational amplifiers and one 2.5V reference. The reference is based on the LMV431 adjustable shunt regulator with the output voltage adjusted to a fixed 2.5V. The Op Amps are similar to the LM358 with a common-mode input range that includes ground. Integrating the reference and Op Amps creates a solution for low cost charging applications.

Connection Diagram



Application Circuit



Optocoupler Driver Circuit for Power Supply Isolation



Please be aware that an important notice concerning availability, standard warranty, and use in critical applications of Texas Instruments semiconductor products and disclaimers thereto appears at the end of this data sheet.

All trademarks are the property of their respective owners.



These devices have limited built-in ESD protection. The leads should be shorted together or the device placed in conductive foam during storage or handling to prevent electrostatic damage to the MOS gates.

Absolute Maximum Ratings ⁽¹⁾ ⁽²⁾

	Value	Unit
Supply Voltage (V_S)	20	V
Storage Temperature	-65 to 150	°C
Junction Temperature (T_J)	150	°C
ESD Human Body Model	2	kV
Input Voltage Range	-0.3 to 20	V

- (1) Absolute Maximum Ratings indicate limits beyond which damage to the device may occur.
 (2) All voltages are measured with respect to GND = 0V_{DC}, unless otherwise specified.

Operating Ratings ⁽¹⁾, ⁽²⁾

	Value	Unit
Temperature Range	-40 to 85	°C
Supply Voltage ⁽³⁾	2.5 to 16	V
Thermal Resistance(θ_{JA})	162	°C/W

- (1) Operating Rating indicate conditions for which the device is functional. These rating do not guarantee specific performance limits. For guaranteed specifications and test conditions, see the Electrical Characteristics. The guaranteed specifications apply only for the test conditions listed. Some performance characteristics may degrade when the device is not operated under the listed test conditions.
 (2) All voltages are measured with respect to GND = 0V_{DC}, unless otherwise specified.
 (3) Minimum value of operating voltage is for Amplifier B only.

Electrical Characteristics

The following specifications apply for both amplifiers at $V_S = 5V$, $V_{CM} = 2.5V$, $V_O = 2.5V$, $R_L = \infty$, and $T_J = 25^\circ C$, unless otherwise noted.

Symbol	Parameter	Conditions	Min (1)	Typ (2)	Max (1)	Units
OP Amp Circuitry						
V_{OS}	Input Offset Voltage	Amplifier B only	-7	2	7	mV
I_{OS}	Input Offset Current	Amplifier B only		1	50	nA
I_B	Input Bias Current	Amplifier B only		3	150	nA
V_{CM}	Common-Mode Input Voltage Range	Amplifier B only, CMRR > 50dB	0		$V_S - 1$	V
I_S	Power Supply Current	Total for both amplifiers		150	500	μA
A_V	Voltage Gain	$V_S = 16V$, $1V < V_O < 11V$, $R_L = 10k\Omega$ connected to $V_S/2$	65	100		dB
V_{OL}	Output Voltage Low			2	50	mV
V_{OH}	Output Voltage High		$V_S - 1.5$	$V_S - 1.3$		V
I_{SOURCE}	Output Current Source		20	30		mA
I_{SINK}	Output Current Sink		5	11		mA
Reference Circuitry For Op Amp A The following specifications apply for $I_Z = 200\mu A$ and $T_J = 25^\circ C$, unless otherwise noted.						
V_Z	Reference Voltage at IN^+ Terminal		2.425	2.5	2.575	V
V_{ZDEV}	Reference Voltage Deviation at IN^+ Terminal Over Temperature (3), (4)	$-40^\circ C \leq T_J \leq 85^\circ C$		4	65	mV
$I_Z (MIN)$	Minimum Cathode Current for Regulation at IN^+ (V_Z) Terminal			150	200	μA
r_z	Dynamic Output Impedance (5)	$200\mu A < I_Z < 1mA$, Freq = 0Hz		0.2		Ω

- (1) Guaranteed to National's Average Outgoing Quality Level (AOQL).
- (2) Typical values represent the most likely parametric norm.
- (3) Reference voltage deviation, V_{ZDEV} , is defined as the maximum variation of the reference input voltage over the full temperature range.
- (4) Typical Temperature drift $\Delta V/\Delta T = 12.8ppm/^\circ C$
- (5) The Dynamic Output Impedance, r_z , is defined as $r_z = \Delta V_Z/\Delta I_Z$.

IMPORTANT NOTICE

Texas Instruments Incorporated and its subsidiaries (TI) reserve the right to make corrections, enhancements, improvements and other changes to its semiconductor products and services per JESD46, latest issue, and to discontinue any product or service per JESD48, latest issue. Buyers should obtain the latest relevant information before placing orders and should verify that such information is current and complete. All semiconductor products (also referred to herein as "components") are sold subject to TI's terms and conditions of sale supplied at the time of order acknowledgment.

TI warrants performance of its components to the specifications applicable at the time of sale, in accordance with the warranty in TI's terms and conditions of sale of semiconductor products. Testing and other quality control techniques are used to the extent TI deems necessary to support this warranty. Except where mandated by applicable law, testing of all parameters of each component is not necessarily performed.

TI assumes no liability for applications assistance or the design of Buyers' products. Buyers are responsible for their products and applications using TI components. To minimize the risks associated with Buyers' products and applications, Buyers should provide adequate design and operating safeguards.

TI does not warrant or represent that any license, either express or implied, is granted under any patent right, copyright, mask work right, or other intellectual property right relating to any combination, machine, or process in which TI components or services are used. Information published by TI regarding third-party products or services does not constitute a license to use such products or services or a warranty or endorsement thereof. Use of such information may require a license from a third party under the patents or other intellectual property of the third party, or a license from TI under the patents or other intellectual property of TI.

Reproduction of significant portions of TI information in TI data books or data sheets is permissible only if reproduction is without alteration and is accompanied by all associated warranties, conditions, limitations, and notices. TI is not responsible or liable for such altered documentation. Information of third parties may be subject to additional restrictions.

Resale of TI components or services with statements different from or beyond the parameters stated by TI for that component or service voids all express and any implied warranties for the associated TI component or service and is an unfair and deceptive business practice. TI is not responsible or liable for any such statements.

Buyer acknowledges and agrees that it is solely responsible for compliance with all legal, regulatory and safety-related requirements concerning its products, and any use of TI components in its applications, notwithstanding any applications-related information or support that may be provided by TI. Buyer represents and agrees that it has all the necessary expertise to create and implement safeguards which anticipate dangerous consequences of failures, monitor failures and their consequences, lessen the likelihood of failures that might cause harm and take appropriate remedial actions. Buyer will fully indemnify TI and its representatives against any damages arising out of the use of any TI components in safety-critical applications.

In some cases, TI components may be promoted specifically to facilitate safety-related applications. With such components, TI's goal is to help enable customers to design and create their own end-product solutions that meet applicable functional safety standards and requirements. Nonetheless, such components are subject to these terms.

No TI components are authorized for use in FDA Class III (or similar life-critical medical equipment) unless authorized officers of the parties have executed a special agreement specifically governing such use.

Only those TI components which TI has specifically designated as military grade or "enhanced plastic" are designed and intended for use in military/aerospace applications or environments. Buyer acknowledges and agrees that any military or aerospace use of TI components which have **not** been so designated is solely at the Buyer's risk, and that Buyer is solely responsible for compliance with all legal and regulatory requirements in connection with such use.

TI has specifically designated certain components as meeting ISO/TS16949 requirements, mainly for automotive use. In any case of use of non-designated products, TI will not be responsible for any failure to meet ISO/TS16949.

Products

Audio	www.ti.com/audio
Amplifiers	amplifier.ti.com
Data Converters	dataconverter.ti.com
DLP® Products	www.dlp.com
DSP	dsp.ti.com
Clocks and Timers	www.ti.com/clocks
Interface	interface.ti.com
Logic	logic.ti.com
Power Mgmt	power.ti.com
Microcontrollers	microcontroller.ti.com
RFID	www.ti-rfid.com
OMAP Applications Processors	www.ti.com/omap
Wireless Connectivity	www.ti.com/wirelessconnectivity

Applications

Automotive and Transportation	www.ti.com/automotive
Communications and Telecom	www.ti.com/communications
Computers and Peripherals	www.ti.com/computers
Consumer Electronics	www.ti.com/consumer-apps
Energy and Lighting	www.ti.com/energy
Industrial	www.ti.com/industrial
Medical	www.ti.com/medical
Security	www.ti.com/security
Space, Avionics and Defense	www.ti.com/space-avionics-defense
Video and Imaging	www.ti.com/video

TI E2E Community

e2e.ti.com