



# Stellaris® LM3S310 Microcontroller


## DATA SHEET

---

# Copyright

Copyright © 2007-2011 Texas Instruments Incorporated All rights reserved. Stellaris® and StellarisWare® are registered trademarks of Texas Instruments Incorporated. ARM and Thumb are registered trademarks and Cortex is a trademark of ARM Limited. Other names and brands may be claimed as the property of others.

PRODUCTION DATA information is current as of publication date. Products conform to specifications per the terms of Texas Instruments standard warranty. Production processing does not necessarily include testing of all parameters.

 Please be aware that an important notice concerning availability, standard warranty, and use in critical applications of Texas Instruments semiconductor products and disclaimers thereto appears at the end of this data sheet.

Texas Instruments Incorporated  
108 Wild Basin, Suite 350  
Austin, TX 78746  
<http://www.ti.com/stellaris>  
<http://www-k.ext.ti.com/sc/technical-support/product-information-centers.htm>



TEXAS  
INSTRUMENTS



# Table of Contents

|  |           |
|--|-----------|
| <b>Revision History .....</b>  | <b>19</b> |
| <b>About This Document .....</b>                                       | <b>23</b> |
| Audience .....   | 23        |
| About This Manual .....  | 23        |
| Related Documents .....  | 23        |
| Documentation Conventions .....  | 24        |
| <b>1 Architectural Overview .....</b>                                  | <b>26</b> |
| 1.1 Product Features .....   | 26        |
| 1.2 Target Applications .....  | 32        |
| 1.3 High-Level Block Diagram .....                                     | 32        |
| 1.4 Functional Overview .....  | 34        |
| 1.4.1 ARM Cortex™-M3 .....   | 34        |
| 1.4.2 Motor Control Peripherals .....                                  | 35        |
| 1.4.3 Analog Peripherals .....   | 35        |
| 1.4.4 Serial Communications Peripherals .....                          | 36        |
| 1.4.5 System Peripherals .....   | 37        |
| 1.4.6 Memory Peripherals .....   | 37        |
| 1.4.7 Additional Features .....  | 38        |
| 1.4.8 Hardware Details .....   | 38        |
| 1.4.9 System Block Diagram .....                                       | 39        |
| <b>2 The Cortex-M3 Processor .....</b>                                 | <b>40</b> |
| 2.1 Block Diagram .....  | 41        |
| 2.2 Overview .....   | 42        |
| 2.2.1 System-Level Interface .....                                     | 42        |
| 2.2.2 Integrated Configurable Debug .....                              | 42        |
| 2.2.3 Trace Port Interface Unit (TPIU) .....                           | 43        |
| 2.2.4 Cortex-M3 System Component Details .....                         | 43        |
| 2.3 Programming Model .....  | 44        |
| 2.3.1 Processor Mode and Privilege Levels for Software Execution ..... | 44        |
| 2.3.2 Stacks .....   | 44        |
| 2.3.3 Register Map .....   | 45        |
| 2.3.4 Register Descriptions .....                                      | 46        |
| 2.3.5 Exceptions and Interrupts .....                                  | 59        |
| 2.3.6 Data Types .....   | 59        |
| 2.4 Memory Model .....   | 59        |
| 2.4.1 Memory Regions, Types and Attributes .....                       | 60        |
| 2.4.2 Memory System Ordering of Memory Accesses .....                  | 61        |
| 2.4.3 Behavior of Memory Accesses .....                                | 61        |
| 2.4.4 Software Ordering of Memory Accesses .....                       | 62        |
| 2.4.5 Bit-Banding .....  | 63        |
| 2.4.6 Data Storage .....   | 65        |
| 2.4.7 Synchronization Primitives .....                                 | 66        |
| 2.5 Exception Model .....  | 67        |
| 2.5.1 Exception States .....   | 68        |
| 2.5.2 Exception Types .....  | 68        |

|          |  |            |
|----------|--|------------|
| 2.5.3    | Exception Handlers .....                                 | 70         |
| 2.5.4    | Vector Table .....                                       | 71         |
| 2.5.5    | Exception Priorities .....                               | 72         |
| 2.5.6    | Interrupt Priority Grouping .....                        | 72         |
| 2.5.7    | Exception Entry and Return .....                         | 72         |
| 2.6      | Fault Handling .....                                     | 74         |
| 2.6.1    | Fault Types .....  | 75         |
| 2.6.2    | Fault Escalation and Hard Faults .....                   | 75         |
| 2.6.3    | Fault Status Registers and Fault Address Registers ..... | 76         |
| 2.6.4    | Lockup .....   | 76         |
| 2.7      | Power Management .....                                   | 77         |
| 2.7.1    | Entering Sleep Modes .....                               | 77         |
| 2.7.2    | Wake Up from Sleep Mode .....                            | 77         |
| 2.8      | Instruction Set Summary .....                            | 78         |
| <b>3</b> | <b>Cortex-M3 Peripherals .....</b>                       | <b>82</b>  |
| 3.1      | Functional Description .....                             | 82         |
| 3.1.1    | System Timer (SysTick) .....                             | 82         |
| 3.1.2    | Nested Vectored Interrupt Controller (NVIC) .....        | 83         |
| 3.1.3    | System Control Block (SCB) .....                         | 85         |
| 3.1.4    | Memory Protection Unit (MPU) .....                       | 85         |
| 3.2      | Register Map .....                                       | 90         |
| 3.3      | System Timer (SysTick) Register Descriptions .....       | 91         |
| 3.4      | NVIC Register Descriptions .....                         | 95         |
| 3.5      | System Control Block (SCB) Register Descriptions .....   | 103        |
| 3.6      | Memory Protection Unit (MPU) Register Descriptions ..... | 130        |
| <b>4</b> | <b>JTAG Interface .....</b>                              | <b>140</b> |
| 4.1      | Block Diagram .....                                      | 141        |
| 4.2      | Signal Description .....                                 | 141        |
| 4.3      | Functional Description .....                             | 142        |
| 4.3.1    | JTAG Interface Pins .....                                | 142        |
| 4.3.2    | JTAG TAP Controller .....                                | 144        |
| 4.3.3    | Shift Registers .....                                    | 145        |
| 4.3.4    | Operational Considerations .....                         | 145        |
| 4.4      | Initialization and Configuration .....                   | 147        |
| 4.5      | Register Descriptions .....                              | 147        |
| 4.5.1    | Instruction Register (IR) .....                          | 147        |
| 4.5.2    | Data Registers .....                                     | 149        |
| <b>5</b> | <b>System Control .....</b>                              | <b>151</b> |
| 5.1      | Signal Description .....                                 | 151        |
| 5.2      | Functional Description .....                             | 151        |
| 5.2.1    | Device Identification .....                              | 151        |
| 5.2.2    | Reset Control .....                                      | 152        |
| 5.2.3    | Power Control .....                                      | 156        |
| 5.2.4    | Clock Control .....                                      | 156        |
| 5.2.5    | System Control .....                                     | 160        |
| 5.3      | Initialization and Configuration .....                   | 161        |
| 5.4      | Register Map .....                                       | 161        |
| 5.5      | Register Descriptions .....                              | 162        |

|           |  |            |
|-----------|--|------------|
| <b>6</b>  | <b>Internal Memory</b> .....                                       | <b>207</b> |
| 6.1       | Block Diagram .....  | 207        |
| 6.2       | Functional Description .....                                       | 207        |
| 6.2.1     | SRAM Memory .....  | 207        |
| 6.2.2     | Flash Memory .....   | 208        |
| 6.3       | Flash Memory Initialization and Configuration .....                | 210        |
| 6.3.1     | Changing Flash Protection Bits .....                               | 210        |
| 6.3.2     | Flash Programming .....  | 211        |
| 6.4       | Register Map .....   | 212        |
| 6.5       | Flash Register Descriptions (Flash Control Offset) .....           | 212        |
| 6.6       | Flash Register Descriptions (System Control Offset) .....          | 220        |
| <b>7</b>  | <b>General-Purpose Input/Outputs (GPIOs)</b> .....                 | <b>224</b> |
| 7.1       | Block Diagram .....  | 225        |
| 7.2       | Signal Description .....   | 225        |
| 7.3       | Functional Description .....                                       | 229        |
| 7.3.1     | Data Control .....   | 230        |
| 7.3.2     | Interrupt Control .....  | 231        |
| 7.3.3     | Mode Control .....   | 232        |
| 7.3.4     | Pad Control .....  | 232        |
| 7.3.5     | Identification .....   | 232        |
| 7.4       | Initialization and Configuration .....                             | 232        |
| 7.5       | Register Map .....   | 233        |
| 7.6       | Register Descriptions .....  | 235        |
| <b>8</b>  | <b>General-Purpose Timers</b> .....                                | <b>267</b> |
| 8.1       | Block Diagram .....  | 268        |
| 8.2       | Signal Description .....   | 268        |
| 8.3       | Functional Description .....                                       | 269        |
| 8.3.1     | GPTM Reset Conditions .....  | 269        |
| 8.3.2     | 32-Bit Timer Operating Modes .....                                 | 269        |
| 8.3.3     | 16-Bit Timer Operating Modes .....                                 | 271        |
| 8.4       | Initialization and Configuration .....                             | 274        |
| 8.4.1     | 32-Bit One-Shot/Periodic Timer Mode .....                          | 275        |
| 8.4.2     | 32-Bit Real-Time Clock (RTC) Mode .....                            | 275        |
| 8.4.3     | 16-Bit One-Shot/Periodic Timer Mode .....                          | 275        |
| 8.4.4     | 16-Bit Input Edge Count Mode .....                                 | 276        |
| 8.4.5     | 16-Bit Input Edge Timing Mode .....                                | 276        |
| 8.4.6     | 16-Bit PWM Mode .....  | 277        |
| 8.5       | Register Map .....   | 277        |
| 8.6       | Register Descriptions .....  | 278        |
| <b>9</b>  | <b>Watchdog Timer</b> .....  | <b>303</b> |
| 9.1       | Block Diagram .....  | 304        |
| 9.2       | Functional Description .....                                       | 304        |
| 9.3       | Initialization and Configuration .....                             | 305        |
| 9.4       | Register Map .....   | 305        |
| 9.5       | Register Descriptions .....  | 306        |
| <b>10</b> | <b>Universal Asynchronous Receivers/Transmitters (UARTs)</b> ..... | <b>327</b> |
| 10.1      | Block Diagram .....  | 328        |

|           |   |            |
|-----------|---|------------|
| 10.2      | Signal Description .....                        | 328        |
| 10.3      | Functional Description .....                    | 329        |
| 10.3.1    | Transmit/Receive Logic .....                    | 329        |
| 10.3.2    | Baud-Rate Generation .....                      | 329        |
| 10.3.3    | Data Transmission .....                         | 330        |
| 10.3.4    | FIFO Operation .....                            | 330        |
| 10.3.5    | Interrupts .....                                | 331        |
| 10.3.6    | Loopback Operation .....                        | 332        |
| 10.4      | Initialization and Configuration .....          | 332        |
| 10.5      | Register Map .....                              | 333        |
| 10.6      | Register Descriptions .....                     | 334        |
| <b>11</b> | <b>Synchronous Serial Interface (SSI) .....</b> | <b>367</b> |
| 11.1      | Block Diagram .....                             | 367        |
| 11.2      | Signal Description .....                        | 367        |
| 11.3      | Functional Description .....                    | 368        |
| 11.3.1    | Bit Rate Generation .....                       | 368        |
| 11.3.2    | FIFO Operation .....                            | 369        |
| 11.3.3    | Interrupts .....                                | 369        |
| 11.3.4    | Frame Formats .....                             | 369        |
| 11.4      | Initialization and Configuration .....          | 377        |
| 11.5      | Register Map .....                              | 378        |
| 11.6      | Register Descriptions .....                     | 379        |
| <b>12</b> | <b>Analog Comparators .....</b>                 | <b>405</b> |
| 12.1      | Block Diagram .....                             | 406        |
| 12.2      | Signal Description .....                        | 406        |
| 12.3      | Functional Description .....                    | 407        |
| 12.3.1    | Internal Reference Programming .....            | 409        |
| 12.4      | Initialization and Configuration .....          | 410        |
| 12.5      | Register Map .....                              | 410        |
| 12.6      | Register Descriptions .....                     | 411        |
| <b>13</b> | <b>Pulse Width Modulator (PWM) .....</b>        | <b>419</b> |
| 13.1      | Block Diagram .....                             | 420        |
| 13.2      | Signal Description .....                        | 421        |
| 13.3      | Functional Description .....                    | 422        |
| 13.3.1    | PWM Timer .....                                 | 422        |
| 13.3.2    | PWM Comparators .....                           | 422        |
| 13.3.3    | PWM Signal Generator .....                      | 423        |
| 13.3.4    | Dead-Band Generator .....                       | 424        |
| 13.3.5    | Interrupt Selector .....                        | 424        |
| 13.3.6    | Synchronization Methods .....                   | 425        |
| 13.3.7    | Fault Conditions .....                          | 425        |
| 13.3.8    | Output Control Block .....                      | 425        |
| 13.4      | Initialization and Configuration .....          | 425        |
| 13.5      | Register Map .....                              | 426        |
| 13.6      | Register Descriptions .....                     | 428        |

|           |  |            |
|-----------|--|------------|
| <b>14</b> | <b>Pin Diagram</b> .....                                   | <b>457</b> |
| <b>15</b> | <b>Signal Tables</b> .....                                 | <b>459</b> |
| 15.1      | Connections for Unused Signals .....                       | 466        |
| <b>16</b> | <b>Operating Characteristics</b> .....                     | <b>467</b> |
| <b>17</b> | <b>Electrical Characteristics</b> .....                    | <b>468</b> |
| 17.1      | DC Characteristics .....                                   | 468        |
| 17.1.1    | Maximum Ratings .....                                      | 468        |
| 17.1.2    | Recommended DC Operating Conditions .....                  | 468        |
| 17.1.3    | On-Chip Low Drop-Out (LDO) Regulator Characteristics ..... | 469        |
| 17.1.4    | GPIO Module Characteristics .....                          | 469        |
| 17.1.5    | Power Specifications .....                                 | 469        |
| 17.1.6    | Flash Memory Characteristics .....                         | 470        |
| 17.2      | AC Characteristics .....                                   | 470        |
| 17.2.1    | Load Conditions .....                                      | 470        |
| 17.2.2    | Clocks .....   | 471        |
| 17.2.3    | JTAG and Boundary Scan .....                               | 471        |
| 17.2.4    | Reset .....  | 473        |
| 17.2.5    | Sleep Modes .....  | 475        |
| 17.2.6    | General-Purpose I/O (GPIO) .....                           | 475        |
| 17.2.7    | Synchronous Serial Interface (SSI) .....                   | 476        |
| 17.2.8    | Analog Comparator .....                                    | 477        |
| <b>A</b>  | <b>Serial Flash Loader</b> .....                           | <b>479</b> |
| A.1       | Serial Flash Loader .....                                  | 479        |
| A.2       | Interfaces .....   | 479        |
| A.2.1     | UART .....   | 479        |
| A.2.2     | SSI .....  | 479        |
| A.3       | Packet Handling .....                                      | 480        |
| A.3.1     | Packet Format .....  | 480        |
| A.3.2     | Sending Packets .....                                      | 480        |
| A.3.3     | Receiving Packets .....                                    | 480        |
| A.4       | Commands .....   | 481        |
| A.4.1     | COMMAND_PING (0x20) .....                                  | 481        |
| A.4.2     | COMMAND_GET_STATUS (0x23) .....                            | 481        |
| A.4.3     | COMMAND_DOWNLOAD (0x21) .....                              | 481        |
| A.4.4     | COMMAND_SEND_DATA (0x24) .....                             | 482        |
| A.4.5     | COMMAND_RUN (0x22) .....                                   | 482        |
| A.4.6     | COMMAND_RESET (0x25) .....                                 | 482        |
| <b>B</b>  | <b>Register Quick Reference</b> .....                      | <b>484</b> |
| <b>C</b>  | <b>Ordering and Contact Information</b> .....              | <b>501</b> |
| C.1       | Ordering Information .....                                 | 501        |
| C.2       | Part Markings .....  | 501        |
| C.3       | Kits .....   | 502        |
| C.4       | Support Information .....                                  | 502        |
| <b>D</b>  | <b>Package Information</b> .....                           | <b>503</b> |
| D.1       | 48-Pin LQFP Package .....                                  | 503        |
| D.1.1     | Package Dimensions .....                                   | 503        |

|       |                                |     |
|-------|--------------------------------|-----|
| D.1.2 | Tray Dimensions .....          | 505 |
| D.1.3 | Tape and Reel Dimensions ..... | 507 |
| D.2   | 48-Pin QFN Package .....       | 508 |
| D.2.1 | Package Dimensions .....       | 508 |

## List of Figures

|               |  |     |
|---------------|--|-----|
| Figure 1-1.   | Stellaris LM3S310 Microcontroller High-Level Block Diagram .....                   | 33  |
| Figure 1-2.   | LM3S310 Controller System-Level Block Diagram .....                                | 39  |
| Figure 2-1.   | CPU Block Diagram .....  | 42  |
| Figure 2-2.   | TPIU Block Diagram .....   | 43  |
| Figure 2-3.   | Cortex-M3 Register Set .....   | 45  |
| Figure 2-4.   | Bit-Band Mapping .....   | 65  |
| Figure 2-5.   | Data Storage .....   | 66  |
| Figure 2-6.   | Vector Table .....   | 71  |
| Figure 2-7.   | Exception Stack Frame .....  | 73  |
| Figure 3-1.   | SRD Use Example .....  | 88  |
| Figure 4-1.   | JTAG Module Block Diagram .....  | 141 |
| Figure 4-2.   | Test Access Port State Machine .....   | 145 |
| Figure 4-3.   | IDCODE Register Format .....   | 149 |
| Figure 4-4.   | BYPASS Register Format .....   | 150 |
| Figure 4-5.   | Boundary Scan Register Format .....  | 150 |
| Figure 5-1.   | Basic $\overline{RST}$ Configuration .....   | 153 |
| Figure 5-2.   | External Circuitry to Extend Power-On Reset .....                                  | 154 |
| Figure 5-3.   | Reset Circuit Controlled by Switch .....   | 154 |
| Figure 5-4.   | Main Clock Tree .....  | 157 |
| Figure 6-1.   | Flash Block Diagram .....  | 207 |
| Figure 7-1.   | GPIO Module Block Diagram .....  | 225 |
| Figure 7-2.   | GPIO Port Block Diagram .....  | 230 |
| Figure 7-3.   | GPIO_DATA Write Example .....  | 231 |
| Figure 7-4.   | GPIO_DATA Read Example .....   | 231 |
| Figure 8-1.   | GPTM Module Block Diagram .....  | 268 |
| Figure 8-2.   | 16-Bit Input Edge Count Mode Example .....   | 272 |
| Figure 8-3.   | 16-Bit Input Edge Time Mode Example .....  | 273 |
| Figure 8-4.   | 16-Bit PWM Mode Example .....  | 274 |
| Figure 9-1.   | WDT Module Block Diagram .....   | 304 |
| Figure 10-1.  | UART Module Block Diagram .....  | 328 |
| Figure 10-2.  | UART Character Frame .....   | 329 |
| Figure 11-1.  | SSI Module Block Diagram .....   | 367 |
| Figure 11-2.  | TI Synchronous Serial Frame Format (Single Transfer) .....                         | 370 |
| Figure 11-3.  | TI Synchronous Serial Frame Format (Continuous Transfer) .....                     | 371 |
| Figure 11-4.  | Freescal SPI Format (Single Transfer) with SPO=0 and SPH=0 .....                   | 371 |
| Figure 11-5.  | Freescal SPI Format (Continuous Transfer) with SPO=0 and SPH=0 .....               | 372 |
| Figure 11-6.  | Freescal SPI Frame Format with SPO=0 and SPH=1 .....                               | 373 |
| Figure 11-7.  | Freescal SPI Frame Format (Single Transfer) with SPO=1 and SPH=0 .....             | 373 |
| Figure 11-8.  | Freescal SPI Frame Format (Continuous Transfer) with SPO=1 and SPH=0 .....         | 374 |
| Figure 11-9.  | Freescal SPI Frame Format with SPO=1 and SPH=1 .....                               | 375 |
| Figure 11-10. | MICROWIRE Frame Format (Single Frame) .....  | 375 |
| Figure 11-11. | MICROWIRE Frame Format (Continuous Transfer) .....                                 | 376 |
| Figure 11-12. | MICROWIRE Frame Format, SSIF <sub>ss</sub> Input Setup and Hold Requirements ..... | 377 |
| Figure 12-1.  | Analog Comparator Module Block Diagram .....                                       | 406 |
| Figure 12-2.  | Structure of Comparator Unit .....   | 408 |
| Figure 12-3.  | Comparator Internal Reference Structure .....                                      | 409 |

|               |  |     |
|---------------|--|-----|
| Figure 13-1.  | PWM Unit Diagram .....   | 420 |
| Figure 13-2.  | PWM Module Block Diagram .....   | 421 |
| Figure 13-3.  | PWM Count-Down Mode .....  | 423 |
| Figure 13-4.  | PWM Count-Up/Down Mode .....   | 423 |
| Figure 13-5.  | PWM Generation Example In Count-Up/Down Mode .....                                   | 424 |
| Figure 13-6.  | PWM Dead-Band Generator .....  | 424 |
| Figure 14-1.  | 48-Pin QFP Package Pin Diagram .....   | 457 |
| Figure 14-2.  | 48-Pin QFN Package Pin Diagram .....   | 458 |
| Figure 17-1.  | Load Conditions .....  | 471 |
| Figure 17-2.  | JTAG Test Clock Input Timing .....   | 472 |
| Figure 17-3.  | JTAG Test Access Port (TAP) Timing .....   | 472 |
| Figure 17-4.  | JTAG TRST Timing .....   | 473 |
| Figure 17-5.  | External Reset Timing (RST) .....  | 473 |
| Figure 17-6.  | Power-On Reset Timing .....  | 474 |
| Figure 17-7.  | Brown-Out Reset Timing .....   | 474 |
| Figure 17-8.  | Software Reset Timing .....  | 474 |
| Figure 17-9.  | Watchdog Reset Timing .....  | 475 |
| Figure 17-10. | LDO Reset Timing .....   | 475 |
| Figure 17-11. | SSI Timing for TI Frame Format (FRF=01), Single Transfer Timing<br>Measurement ..... | 476 |
| Figure 17-12. | SSI Timing for MICROWIRE Frame Format (FRF=10), Single Transfer .....                | 477 |
| Figure 17-13. | SSI Timing for SPI Frame Format (FRF=00), with SPH=1 .....                           | 477 |
| Figure D-1.   | Stellaris LM3S310 48-Pin LQFP Package .....  | 503 |
| Figure D-2.   | 48-Pin LQFP Tray Dimensions .....  | 505 |
| Figure D-3.   | 48-Pin LQFP Tape and Reel Dimensions .....   | 507 |
| Figure D-4.   | Stellaris LM3S310 48-Pin QFN Package .....   | 508 |

## List of Tables

|             |   |     |
|-------------|---|-----|
| Table 1.    | Revision History .....  | 19  |
| Table 2.    | Documentation Conventions .....                                 | 24  |
| Table 2-1.  | Summary of Processor Mode, Privilege Level, and Stack Use ..... | 45  |
| Table 2-2.  | Processor Register Map .....                                    | 46  |
| Table 2-3.  | PSR Register Combinations .....                                 | 51  |
| Table 2-4.  | Memory Map .....  | 59  |
| Table 2-5.  | Memory Access Behavior .....                                    | 61  |
| Table 2-6.  | SRAM Memory Bit-Banding Regions .....                           | 63  |
| Table 2-7.  | Peripheral Memory Bit-Banding Regions .....                     | 63  |
| Table 2-8.  | Exception Types .....   | 69  |
| Table 2-9.  | Interrupts .....  | 70  |
| Table 2-10. | Exception Return Behavior .....                                 | 74  |
| Table 2-11. | Faults .....  | 75  |
| Table 2-12. | Fault Status and Fault Address Registers .....                  | 76  |
| Table 2-13. | Cortex-M3 Instruction Summary .....                             | 78  |
| Table 3-1.  | Core Peripheral Register Regions .....                          | 82  |
| Table 3-2.  | Memory Attributes Summary .....                                 | 85  |
| Table 3-3.  | TEX, S, C, and B Bit Field Encoding .....                       | 88  |
| Table 3-4.  | Cache Policy for Memory Attribute Encoding .....                | 89  |
| Table 3-5.  | AP Bit Field Encoding .....                                     | 89  |
| Table 3-6.  | Memory Region Attributes for Stellaris Microcontrollers .....   | 89  |
| Table 3-7.  | Peripherals Register Map .....                                  | 90  |
| Table 3-8.  | Interrupt Priority Levels .....                                 | 109 |
| Table 3-9.  | Example SIZE Field Values .....                                 | 137 |
| Table 4-1.  | JTAG_SWD_SWO Signals (48QFP) .....                              | 141 |
| Table 4-2.  | JTAG_SWD_SWO Signals (48QFN) .....                              | 142 |
| Table 4-3.  | JTAG Port Pins Reset State .....                                | 142 |
| Table 4-4.  | JTAG Instruction Register Commands .....                        | 147 |
| Table 5-1.  | System Control & Clocks Signals (48QFP) .....                   | 151 |
| Table 5-2.  | System Control & Clocks Signals (48QFN) .....                   | 151 |
| Table 5-3.  | Reset Sources .....   | 152 |
| Table 5-4.  | Clock Source Options .....                                      | 157 |
| Table 5-5.  | Possible System Clock Frequencies Using the SYSDIV Field .....  | 158 |
| Table 5-6.  | System Control Register Map .....                               | 161 |
| Table 5-7.  | PLL Mode Control .....  | 174 |
| Table 6-1.  | Flash Protection Policy Combinations .....                      | 208 |
| Table 6-2.  | Flash Register Map .....  | 212 |
| Table 7-1.  | GPIO Pins With Non-Zero Reset Values .....                      | 226 |
| Table 7-2.  | GPIO Pins and Alternate Functions (48QFP) .....                 | 226 |
| Table 7-3.  | GPIO Pins and Alternate Functions (48QFN) .....                 | 227 |
| Table 7-4.  | GPIO Signals (48QFP) .....                                      | 228 |
| Table 7-5.  | GPIO Signals (48QFN) .....                                      | 228 |
| Table 7-6.  | GPIO Pad Configuration Examples .....                           | 233 |
| Table 7-7.  | GPIO Interrupt Configuration Example .....                      | 233 |
| Table 7-8.  | GPIO Register Map .....   | 234 |
| Table 8-1.  | Available CCP Pins .....  | 268 |

|              |   |     |
|--------------|---|-----|
| Table 8-2.   | General-Purpose Timers Signals (48QFP) .....                | 269 |
| Table 8-3.   | General-Purpose Timers Signals (48QFN) .....                | 269 |
| Table 8-4.   | 16-Bit Timer With Prescaler Configurations .....            | 271 |
| Table 8-5.   | Timers Register Map .....                                   | 278 |
| Table 9-1.   | Watchdog Timer Register Map .....                           | 305 |
| Table 10-1.  | UART Signals (48QFP) .....                                  | 328 |
| Table 10-2.  | UART Signals (48QFN) .....                                  | 329 |
| Table 10-3.  | UART Register Map .....                                     | 333 |
| Table 11-1.  | SSI Signals (48QFP) .....                                   | 368 |
| Table 11-2.  | SSI Signals (48QFN) .....                                   | 368 |
| Table 11-3.  | SSI Register Map .....                                      | 378 |
| Table 12-1.  | Analog Comparators Signals (48QFP) .....                    | 406 |
| Table 12-2.  | Analog Comparators Signals (48QFN) .....                    | 407 |
| Table 12-3.  | Comparator 0 Operating Modes .....                          | 408 |
| Table 12-4.  | Comparator 1 Operating Modes .....                          | 408 |
| Table 12-5.  | Comparator 2 Operating Modes .....                          | 409 |
| Table 12-6.  | Internal Reference Voltage and ACREFACTL Field Values ..... | 409 |
| Table 12-7.  | Analog Comparators Register Map .....                       | 411 |
| Table 13-1.  | PWM Signals (48QFP) .....                                   | 421 |
| Table 13-2.  | PWM Signals (48QFN) .....                                   | 421 |
| Table 13-3.  | PWM Register Map .....                                      | 426 |
| Table 15-1.  | Signals by Pin Number .....                                 | 459 |
| Table 15-2.  | Signals by Signal Name .....                                | 461 |
| Table 15-3.  | Signals by Function, Except for GPIO .....                  | 464 |
| Table 15-4.  | GPIO Pins and Alternate Functions .....                     | 465 |
| Table 15-5.  | Connections for Unused Signals .....                        | 466 |
| Table 16-1.  | Temperature Characteristics .....                           | 467 |
| Table 16-2.  | Thermal Characteristics .....                               | 467 |
| Table 16-3.  | ESD Absolute Maximum Ratings .....                          | 467 |
| Table 17-1.  | Maximum Ratings .....                                       | 468 |
| Table 17-2.  | Recommended DC Operating Conditions .....                   | 468 |
| Table 17-3.  | LDO Regulator Characteristics .....                         | 469 |
| Table 17-4.  | GPIO Module DC Characteristics .....                        | 469 |
| Table 17-5.  | Detailed Power Specifications .....                         | 470 |
| Table 17-6.  | Flash Memory Characteristics .....                          | 470 |
| Table 17-7.  | Phase Locked Loop (PLL) Characteristics .....               | 471 |
| Table 17-8.  | Clock Characteristics .....                                 | 471 |
| Table 17-9.  | JTAG Characteristics .....                                  | 471 |
| Table 17-10. | Reset Characteristics .....                                 | 473 |
| Table 17-11. | Sleep Modes AC Characteristics .....                        | 475 |
| Table 17-12. | GPIO Characteristics .....                                  | 475 |
| Table 17-13. | SSI Characteristics .....                                   | 476 |
| Table 17-14. | Analog Comparator Characteristics .....                     | 477 |
| Table 17-15. | Analog Comparator Voltage Reference Characteristics .....   | 478 |
| Table C-1.   | Part Ordering Information .....                             | 501 |

# List of Registers

|  |           |
|--|-----------|
| <b>The Cortex-M3 Processor .....</b>   | <b>40</b> |
| Register 1: Cortex General-Purpose Register 0 (R0) .....                         | 47        |
| Register 2: Cortex General-Purpose Register 1 (R1) .....                         | 47        |
| Register 3: Cortex General-Purpose Register 2 (R2) .....                         | 47        |
| Register 4: Cortex General-Purpose Register 3 (R3) .....                         | 47        |
| Register 5: Cortex General-Purpose Register 4 (R4) .....                         | 47        |
| Register 6: Cortex General-Purpose Register 5 (R5) .....                         | 47        |
| Register 7: Cortex General-Purpose Register 6 (R6) .....                         | 47        |
| Register 8: Cortex General-Purpose Register 7 (R7) .....                         | 47        |
| Register 9: Cortex General-Purpose Register 8 (R8) .....                         | 47        |
| Register 10: Cortex General-Purpose Register 9 (R9) .....                        | 47        |
| Register 11: Cortex General-Purpose Register 10 (R10) .....                      | 47        |
| Register 12: Cortex General-Purpose Register 11 (R11) .....                      | 47        |
| Register 13: Cortex General-Purpose Register 12 (R12) .....                      | 47        |
| Register 14: Stack Pointer (SP) .....  | 48        |
| Register 15: Link Register (LR) .....  | 49        |
| Register 16: Program Counter (PC) .....  | 50        |
| Register 17: Program Status Register (PSR) .....                                 | 51        |
| Register 18: Priority Mask Register (PRIMASK) .....                              | 55        |
| Register 19: Fault Mask Register (FAULTMASK) .....                               | 56        |
| Register 20: Base Priority Mask Register (BASEPRI) .....                         | 57        |
| Register 21: Control Register (CONTROL) .....                                    | 58        |
| <b>Cortex-M3 Peripherals .....</b>   | <b>82</b> |
| Register 1: SysTick Control and Status Register (STCTRL), offset 0x010 .....     | 92        |
| Register 2: SysTick Reload Value Register (STRELOAD), offset 0x014 .....         | 94        |
| Register 3: SysTick Current Value Register (STCURRENT), offset 0x018 .....       | 95        |
| Register 4: Interrupt 0-29 Set Enable (EN0), offset 0x100 .....                  | 96        |
| Register 5: Interrupt 0-29 Clear Enable (DIS0), offset 0x180 .....               | 97        |
| Register 6: Interrupt 0-29 Set Pending (PEND0), offset 0x200 .....               | 98        |
| Register 7: Interrupt 0-29 Clear Pending (UNPEND0), offset 0x280 .....           | 99        |
| Register 8: Interrupt 0-29 Active Bit (ACTIVE0), offset 0x300 .....              | 100       |
| Register 9: Interrupt 0-3 Priority (PRI0), offset 0x400 .....                    | 101       |
| Register 10: Interrupt 4-7 Priority (PRI1), offset 0x404 .....                   | 101       |
| Register 11: Interrupt 8-11 Priority (PRI2), offset 0x408 .....                  | 101       |
| Register 12: Interrupt 12-15 Priority (PRI3), offset 0x40C .....                 | 101       |
| Register 13: Interrupt 16-19 Priority (PRI4), offset 0x410 .....                 | 101       |
| Register 14: Interrupt 20-23 Priority (PRI5), offset 0x414 .....                 | 101       |
| Register 15: Interrupt 24-27 Priority (PRI6), offset 0x418 .....                 | 101       |
| Register 16: Interrupt 28-29 Priority (PRI7), offset 0x41C .....                 | 101       |
| Register 17: Software Trigger Interrupt (SWTRIG), offset 0xF00 .....             | 103       |
| Register 18: CPU ID Base (CPUID), offset 0xD00 .....                             | 104       |
| Register 19: Interrupt Control and State (INTCTRL), offset 0xD04 .....           | 105       |
| Register 20: Vector Table Offset (VTABLE), offset 0xD08 .....                    | 108       |
| Register 21: Application Interrupt and Reset Control (APINT), offset 0xD0C ..... | 109       |
| Register 22: System Control (SYSCTRL), offset 0xD10 .....                        | 111       |

|                             |   |            |
|-----------------------------|---|------------|
| Register 23:                | Configuration and Control (CFGCTRL), offset 0xD14 .....                     | 113        |
| Register 24:                | System Handler Priority 1 (SYSPRI1), offset 0xD18 .....                     | 115        |
| Register 25:                | System Handler Priority 2 (SYSPRI2), offset 0xD1C .....                     | 116        |
| Register 26:                | System Handler Priority 3 (SYSPRI3), offset 0xD20 .....                     | 117        |
| Register 27:                | System Handler Control and State (SYSHNDCTRL), offset 0xD24 .....           | 118        |
| Register 28:                | Configurable Fault Status (FAULTSTAT), offset 0xD28 .....                   | 122        |
| Register 29:                | Hard Fault Status (HFAULTSTAT), offset 0xD2C .....                          | 128        |
| Register 30:                | Memory Management Fault Address (MMADDR), offset 0xD34 .....                | 129        |
| Register 31:                | Bus Fault Address (FAULTADDR), offset 0xD38 .....                           | 130        |
| Register 32:                | MPU Type (MPUTYPE), offset 0xD90 .....                                      | 131        |
| Register 33:                | MPU Control (MPUCTRL), offset 0xD94 .....                                   | 132        |
| Register 34:                | MPU Region Number (MPUNUMBER), offset 0xD98 .....                           | 134        |
| Register 35:                | MPU Region Base Address (MPUBASE), offset 0xD9C .....                       | 135        |
| Register 36:                | MPU Region Base Address Alias 1 (MPUBASE1), offset 0xDA4 .....              | 135        |
| Register 37:                | MPU Region Base Address Alias 2 (MPUBASE2), offset 0xDAC .....              | 135        |
| Register 38:                | MPU Region Base Address Alias 3 (MPUBASE3), offset 0xDB4 .....              | 135        |
| Register 39:                | MPU Region Attribute and Size (MPUATTR), offset 0xDA0 .....                 | 137        |
| Register 40:                | MPU Region Attribute and Size Alias 1 (MPUATTR1), offset 0xDA8 .....        | 137        |
| Register 41:                | MPU Region Attribute and Size Alias 2 (MPUATTR2), offset 0xDB0 .....        | 137        |
| Register 42:                | MPU Region Attribute and Size Alias 3 (MPUATTR3), offset 0xDB8 .....        | 137        |
| <b>System Control .....</b> |   | <b>151</b> |
| Register 1:                 | Device Identification 0 (DID0), offset 0x000 .....                          | 163        |
| Register 2:                 | Power-On and Brown-Out Reset Control (PBORCTL), offset 0x030 .....          | 165        |
| Register 3:                 | LDO Power Control (LDOPCTL), offset 0x034 .....                             | 166        |
| Register 4:                 | Raw Interrupt Status (RIS), offset 0x050 .....                              | 167        |
| Register 5:                 | Interrupt Mask Control (IMC), offset 0x054 .....                            | 168        |
| Register 6:                 | Masked Interrupt Status and Clear (MISC), offset 0x058 .....                | 169        |
| Register 7:                 | Reset Cause (RESC), offset 0x05C .....                                      | 170        |
| Register 8:                 | Run-Mode Clock Configuration (RCC), offset 0x060 .....                      | 171        |
| Register 9:                 | XTAL to PLL Translation (PLLCFG), offset 0x064 .....                        | 175        |
| Register 10:                | Deep Sleep Clock Configuration (DSLPCCLKCFG), offset 0x144 .....            | 176        |
| Register 11:                | Clock Verification Clear (CLKVCLR), offset 0x150 .....                      | 177        |
| Register 12:                | Allow Unregulated LDO to Reset the Part (LDOARST), offset 0x160 .....       | 178        |
| Register 13:                | Device Identification 1 (DID1), offset 0x004 .....                          | 179        |
| Register 14:                | Device Capabilities 0 (DC0), offset 0x008 .....                             | 181        |
| Register 15:                | Device Capabilities 1 (DC1), offset 0x010 .....                             | 182        |
| Register 16:                | Device Capabilities 2 (DC2), offset 0x014 .....                             | 184        |
| Register 17:                | Device Capabilities 3 (DC3), offset 0x018 .....                             | 186        |
| Register 18:                | Device Capabilities 4 (DC4), offset 0x01C .....                             | 188        |
| Register 19:                | Run Mode Clock Gating Control Register 0 (RCGC0), offset 0x100 .....        | 189        |
| Register 20:                | Sleep Mode Clock Gating Control Register 0 (SCGC0), offset 0x110 .....      | 190        |
| Register 21:                | Deep Sleep Mode Clock Gating Control Register 0 (DCGC0), offset 0x120 ..... | 191        |
| Register 22:                | Run Mode Clock Gating Control Register 1 (RCGC1), offset 0x104 .....        | 192        |
| Register 23:                | Sleep Mode Clock Gating Control Register 1 (SCGC1), offset 0x114 .....      | 194        |
| Register 24:                | Deep Sleep Mode Clock Gating Control Register 1 (DCGC1), offset 0x124 ..... | 196        |
| Register 25:                | Run Mode Clock Gating Control Register 2 (RCGC2), offset 0x108 .....        | 198        |
| Register 26:                | Sleep Mode Clock Gating Control Register 2 (SCGC2), offset 0x118 .....      | 199        |
| Register 27:                | Deep Sleep Mode Clock Gating Control Register 2 (DCGC2), offset 0x128 ..... | 201        |

|  |   |            |
|--|---|------------|
| Register 28:                                 | Software Reset Control 0 (SRCR0), offset 0x040                            | 203        |
| Register 29:                                 | Software Reset Control 1 (SRCR1), offset 0x044                            | 204        |
| Register 30:                                 | Software Reset Control 2 (SRCR2), offset 0x048                            | 206        |
| <b>Internal Memory</b>                       |   | <b>207</b> |
| Register 1:                                  | Flash Memory Address (FMA), offset 0x000                                  | 213        |
| Register 2:                                  | Flash Memory Data (FMD), offset 0x004                                     | 214        |
| Register 3:                                  | Flash Memory Control (FMC), offset 0x008                                  | 215        |
| Register 4:                                  | Flash Controller Raw Interrupt Status (FCRIS), offset 0x00C               | 217        |
| Register 5:                                  | Flash Controller Interrupt Mask (FCIM), offset 0x010                      | 218        |
| Register 6:                                  | Flash Controller Masked Interrupt Status and Clear (FCMISC), offset 0x014 | 219        |
| Register 7:                                  | Usec Reload (USECRL), offset 0x140  | 221        |
| Register 8:                                  | Flash Memory Protection Read Enable (FMPRE), offset 0x130                 | 222        |
| Register 9:                                  | Flash Memory Protection Program Enable (FMPPE), offset 0x134              | 223        |
| <b>General-Purpose Input/Outputs (GPIOs)</b> |   | <b>224</b> |
| Register 1:                                  | GPIO Data (GPIODATA), offset 0x000  | 236        |
| Register 2:                                  | GPIO Direction (GPIODIR), offset 0x400                                    | 237        |
| Register 3:                                  | GPIO Interrupt Sense (GPIOIS), offset 0x404                               | 238        |
| Register 4:                                  | GPIO Interrupt Both Edges (GPIOIBE), offset 0x408                         | 239        |
| Register 5:                                  | GPIO Interrupt Event (GPIOIEV), offset 0x40C                              | 240        |
| Register 6:                                  | GPIO Interrupt Mask (GPIOIM), offset 0x410                                | 241        |
| Register 7:                                  | GPIO Raw Interrupt Status (GPIORIS), offset 0x414                         | 242        |
| Register 8:                                  | GPIO Masked Interrupt Status (GPIOMIS), offset 0x418                      | 243        |
| Register 9:                                  | GPIO Interrupt Clear (GPIOICR), offset 0x41C                              | 244        |
| Register 10:                                 | GPIO Alternate Function Select (GPIOAFSEL), offset 0x420                  | 245        |
| Register 11:                                 | GPIO 2-mA Drive Select (GPIODR2R), offset 0x500                           | 247        |
| Register 12:                                 | GPIO 4-mA Drive Select (GPIODR4R), offset 0x504                           | 248        |
| Register 13:                                 | GPIO 8-mA Drive Select (GPIODR8R), offset 0x508                           | 249        |
| Register 14:                                 | GPIO Open Drain Select (GPIOODR), offset 0x50C                            | 250        |
| Register 15:                                 | GPIO Pull-Up Select (GPIOPUR), offset 0x510                               | 251        |
| Register 16:                                 | GPIO Pull-Down Select (GPIOPDR), offset 0x514                             | 252        |
| Register 17:                                 | GPIO Slew Rate Control Select (GPIOSLR), offset 0x518                     | 253        |
| Register 18:                                 | GPIO Digital Enable (GPIODEN), offset 0x51C                               | 254        |
| Register 19:                                 | GPIO Peripheral Identification 4 (GPIOPeriphID4), offset 0xFD0            | 255        |
| Register 20:                                 | GPIO Peripheral Identification 5 (GPIOPeriphID5), offset 0xFD4            | 256        |
| Register 21:                                 | GPIO Peripheral Identification 6 (GPIOPeriphID6), offset 0xFD8            | 257        |
| Register 22:                                 | GPIO Peripheral Identification 7 (GPIOPeriphID7), offset 0xFDC            | 258        |
| Register 23:                                 | GPIO Peripheral Identification 0 (GPIOPeriphID0), offset 0xFE0            | 259        |
| Register 24:                                 | GPIO Peripheral Identification 1 (GPIOPeriphID1), offset 0xFE4            | 260        |
| Register 25:                                 | GPIO Peripheral Identification 2 (GPIOPeriphID2), offset 0xFE8            | 261        |
| Register 26:                                 | GPIO Peripheral Identification 3 (GPIOPeriphID3), offset 0xFEC            | 262        |
| Register 27:                                 | GPIO PrimeCell Identification 0 (GPIOPCellID0), offset 0xFF0              | 263        |
| Register 28:                                 | GPIO PrimeCell Identification 1 (GPIOPCellID1), offset 0xFF4              | 264        |
| Register 29:                                 | GPIO PrimeCell Identification 2 (GPIOPCellID2), offset 0xFF8              | 265        |
| Register 30:                                 | GPIO PrimeCell Identification 3 (GPIOPCellID3), offset 0xFFC              | 266        |
| <b>General-Purpose Timers</b>                |   | <b>267</b> |
| Register 1:                                  | GPTM Configuration (GPTMCFG), offset 0x000                                | 279        |
| Register 2:                                  | GPTM TimerA Mode (GPTMTAMR), offset 0x004                                 | 280        |
| Register 3:                                  | GPTM TimerB Mode (GPTMTBMR), offset 0x008                                 | 282        |

|  |   |            |
|--|---|------------|
| Register 4:  | GPTM Control (GPTMCTL), offset 0x00C .....                              | 284        |
| Register 5:  | GPTM Interrupt Mask (GPTMIMR), offset 0x018 .....                       | 287        |
| Register 6:  | GPTM Raw Interrupt Status (GPTMRIS), offset 0x01C .....                 | 289        |
| Register 7:  | GPTM Masked Interrupt Status (GPTMMIS), offset 0x020 .....              | 290        |
| Register 8:  | GPTM Interrupt Clear (GPTMICR), offset 0x024 .....                      | 291        |
| Register 9:  | GPTM TimerA Interval Load (GPTMTAILR), offset 0x028 .....               | 293        |
| Register 10:   | GPTM TimerB Interval Load (GPTMTBILR), offset 0x02C .....               | 294        |
| Register 11:   | GPTM TimerA Match (GPTMTAMATCHR), offset 0x030 .....                    | 295        |
| Register 12:   | GPTM TimerB Match (GPTMTBMATCHR), offset 0x034 .....                    | 296        |
| Register 13:   | GPTM TimerA Prescale (GPTMTAPR), offset 0x038 .....                     | 297        |
| Register 14:   | GPTM TimerB Prescale (GPTMTBPR), offset 0x03C .....                     | 298        |
| Register 15:   | GPTM TimerA Prescale Match (GPTMTAPMR), offset 0x040 .....              | 299        |
| Register 16:   | GPTM TimerB Prescale Match (GPTMTBPMR), offset 0x044 .....              | 300        |
| Register 17:   | GPTM TimerA (GPTMTAR), offset 0x048 .....                               | 301        |
| Register 18:   | GPTM TimerB (GPTMTBR), offset 0x04C .....                               | 302        |
| <b>Watchdog Timer .....</b>  |   | <b>303</b> |
| Register 1:  | Watchdog Load (WDTLOAD), offset 0x000 .....                             | 307        |
| Register 2:  | Watchdog Value (WDTVALUE), offset 0x004 .....                           | 308        |
| Register 3:  | Watchdog Control (WDTCTL), offset 0x008 .....                           | 309        |
| Register 4:  | Watchdog Interrupt Clear (WDTICR), offset 0x00C .....                   | 310        |
| Register 5:  | Watchdog Raw Interrupt Status (WDTRIS), offset 0x010 .....              | 311        |
| Register 6:  | Watchdog Masked Interrupt Status (WDTMIS), offset 0x014 .....           | 312        |
| Register 7:  | Watchdog Test (WDTTEST), offset 0x418 .....                             | 313        |
| Register 8:  | Watchdog Lock (WDTLOCK), offset 0xC00 .....                             | 314        |
| Register 9:  | Watchdog Peripheral Identification 4 (WDTPeriphID4), offset 0xFD0 ..... | 315        |
| Register 10:   | Watchdog Peripheral Identification 5 (WDTPeriphID5), offset 0xFD4 ..... | 316        |
| Register 11:   | Watchdog Peripheral Identification 6 (WDTPeriphID6), offset 0xFD8 ..... | 317        |
| Register 12:   | Watchdog Peripheral Identification 7 (WDTPeriphID7), offset 0xFDC ..... | 318        |
| Register 13:   | Watchdog Peripheral Identification 0 (WDTPeriphID0), offset 0xFE0 ..... | 319        |
| Register 14:   | Watchdog Peripheral Identification 1 (WDTPeriphID1), offset 0xFE4 ..... | 320        |
| Register 15:   | Watchdog Peripheral Identification 2 (WDTPeriphID2), offset 0xFE8 ..... | 321        |
| Register 16:   | Watchdog Peripheral Identification 3 (WDTPeriphID3), offset 0xFEC ..... | 322        |
| Register 17:   | Watchdog PrimeCell Identification 0 (WDTPCellID0), offset 0xFF0 .....   | 323        |
| Register 18:   | Watchdog PrimeCell Identification 1 (WDTPCellID1), offset 0xFF4 .....   | 324        |
| Register 19:   | Watchdog PrimeCell Identification 2 (WDTPCellID2), offset 0xFF8 .....   | 325        |
| Register 20:   | Watchdog PrimeCell Identification 3 (WDTPCellID3), offset 0xFFC .....   | 326        |
| <b>Universal Asynchronous Receivers/Transmitters (UARTs) .....</b> |   | <b>327</b> |
| Register 1:  | UART Data (UARTDR), offset 0x000 .....                                  | 335        |
| Register 2:  | UART Receive Status/Error Clear (UARTRSR/UARTECR), offset 0x004 .....   | 337        |
| Register 3:  | UART Flag (UARTFR), offset 0x018 .....                                  | 339        |
| Register 4:  | UART Integer Baud-Rate Divisor (UARTIBRD), offset 0x024 .....           | 341        |
| Register 5:  | UART Fractional Baud-Rate Divisor (UARTFBRD), offset 0x028 .....        | 342        |
| Register 6:  | UART Line Control (UARTLCRH), offset 0x02C .....                        | 343        |
| Register 7:  | UART Control (UARTCTL), offset 0x030 .....                              | 345        |
| Register 8:  | UART Interrupt FIFO Level Select (UARTIFLS), offset 0x034 .....         | 347        |
| Register 9:  | UART Interrupt Mask (UARTIM), offset 0x038 .....                        | 349        |
| Register 10:   | UART Raw Interrupt Status (UARTRIS), offset 0x03C .....                 | 351        |
| Register 11:   | UART Masked Interrupt Status (UARTMIS), offset 0x040 .....              | 352        |

|   |  |            |
|---|--|------------|
| Register 12:                                    | UART Interrupt Clear (UARTICR), offset 0x044 .....                         | 353        |
| Register 13:                                    | UART Peripheral Identification 4 (UARTPeriphID4), offset 0xFD0 .....       | 355        |
| Register 14:                                    | UART Peripheral Identification 5 (UARTPeriphID5), offset 0xFD4 .....       | 356        |
| Register 15:                                    | UART Peripheral Identification 6 (UARTPeriphID6), offset 0xFD8 .....       | 357        |
| Register 16:                                    | UART Peripheral Identification 7 (UARTPeriphID7), offset 0xFDC .....       | 358        |
| Register 17:                                    | UART Peripheral Identification 0 (UARTPeriphID0), offset 0xFE0 .....       | 359        |
| Register 18:                                    | UART Peripheral Identification 1 (UARTPeriphID1), offset 0xFE4 .....       | 360        |
| Register 19:                                    | UART Peripheral Identification 2 (UARTPeriphID2), offset 0xFE8 .....       | 361        |
| Register 20:                                    | UART Peripheral Identification 3 (UARTPeriphID3), offset 0xFEC .....       | 362        |
| Register 21:                                    | UART PrimeCell Identification 0 (UARTPCelIID0), offset 0xFF0 .....         | 363        |
| Register 22:                                    | UART PrimeCell Identification 1 (UARTPCelIID1), offset 0xFF4 .....         | 364        |
| Register 23:                                    | UART PrimeCell Identification 2 (UARTPCelIID2), offset 0xFF8 .....         | 365        |
| Register 24:                                    | UART PrimeCell Identification 3 (UARTPCelIID3), offset 0xFFC .....         | 366        |
| <b>Synchronous Serial Interface (SSI) .....</b> |  | <b>367</b> |
| Register 1:                                     | SSI Control 0 (SSICR0), offset 0x000 .....                                 | 380        |
| Register 2:                                     | SSI Control 1 (SSICR1), offset 0x004 .....                                 | 382        |
| Register 3:                                     | SSI Data (SSIDR), offset 0x008 .....                                       | 384        |
| Register 4:                                     | SSI Status (SSISR), offset 0x00C .....                                     | 385        |
| Register 5:                                     | SSI Clock Prescale (SSICPSR), offset 0x010 .....                           | 387        |
| Register 6:                                     | SSI Interrupt Mask (SSIIM), offset 0x014 .....                             | 388        |
| Register 7:                                     | SSI Raw Interrupt Status (SSIRIS), offset 0x018 .....                      | 390        |
| Register 8:                                     | SSI Masked Interrupt Status (SSIMIS), offset 0x01C .....                   | 391        |
| Register 9:                                     | SSI Interrupt Clear (SSIICR), offset 0x020 .....                           | 392        |
| Register 10:                                    | SSI Peripheral Identification 4 (SSIPeriphID4), offset 0xFD0 .....         | 393        |
| Register 11:                                    | SSI Peripheral Identification 5 (SSIPeriphID5), offset 0xFD4 .....         | 394        |
| Register 12:                                    | SSI Peripheral Identification 6 (SSIPeriphID6), offset 0xFD8 .....         | 395        |
| Register 13:                                    | SSI Peripheral Identification 7 (SSIPeriphID7), offset 0xFDC .....         | 396        |
| Register 14:                                    | SSI Peripheral Identification 0 (SSIPeriphID0), offset 0xFE0 .....         | 397        |
| Register 15:                                    | SSI Peripheral Identification 1 (SSIPeriphID1), offset 0xFE4 .....         | 398        |
| Register 16:                                    | SSI Peripheral Identification 2 (SSIPeriphID2), offset 0xFE8 .....         | 399        |
| Register 17:                                    | SSI Peripheral Identification 3 (SSIPeriphID3), offset 0xFEC .....         | 400        |
| Register 18:                                    | SSI PrimeCell Identification 0 (SSIPCellIID0), offset 0xFF0 .....          | 401        |
| Register 19:                                    | SSI PrimeCell Identification 1 (SSIPCellIID1), offset 0xFF4 .....          | 402        |
| Register 20:                                    | SSI PrimeCell Identification 2 (SSIPCellIID2), offset 0xFF8 .....          | 403        |
| Register 21:                                    | SSI PrimeCell Identification 3 (SSIPCellIID3), offset 0xFFC .....          | 404        |
| <b>Analog Comparators .....</b>                 |  | <b>405</b> |
| Register 1:                                     | Analog Comparator Masked Interrupt Status (ACMIS), offset 0x000 .....      | 412        |
| Register 2:                                     | Analog Comparator Raw Interrupt Status (ACRIS), offset 0x004 .....         | 413        |
| Register 3:                                     | Analog Comparator Interrupt Enable (ACINTEN), offset 0x008 .....           | 414        |
| Register 4:                                     | Analog Comparator Reference Voltage Control (ACREFCTL), offset 0x010 ..... | 415        |
| Register 5:                                     | Analog Comparator Status 0 (ACSTAT0), offset 0x020 .....                   | 416        |
| Register 6:                                     | Analog Comparator Status 1 (ACSTAT1), offset 0x040 .....                   | 416        |
| Register 7:                                     | Analog Comparator Status 2 (ACSTAT2), offset 0x060 .....                   | 416        |
| Register 8:                                     | Analog Comparator Control 0 (ACCTL0), offset 0x024 .....                   | 417        |
| Register 9:                                     | Analog Comparator Control 1 (ACCTL1), offset 0x044 .....                   | 417        |
| Register 10:                                    | Analog Comparator Control 2 (ACCTL2), offset 0x064 .....                   | 417        |
| <b>Pulse Width Modulator (PWM) .....</b>        |  | <b>419</b> |
| Register 1:                                     | PWM Master Control (PWMCTL), offset 0x000 .....                            | 429        |

|              |  |     |
|--------------|--|-----|
| Register 2:  | PWM Time Base Sync (PWMSYNC), offset 0x004 .....                   | 430 |
| Register 3:  | PWM Output Enable (PWMENABLE), offset 0x008 .....                  | 431 |
| Register 4:  | PWM Output Inversion (PWMINVERT), offset 0x00C .....               | 432 |
| Register 5:  | PWM Output Fault (PWMFAULT), offset 0x010 .....                    | 433 |
| Register 6:  | PWM Interrupt Enable (PWMINTEN), offset 0x014 .....                | 434 |
| Register 7:  | PWM Raw Interrupt Status (PWMRIS), offset 0x018 .....              | 435 |
| Register 8:  | PWM Interrupt Status and Clear (PWMISC), offset 0x01C .....        | 436 |
| Register 9:  | PWM Status (PWMSTATUS), offset 0x020 .....                         | 437 |
| Register 10: | PWM0 Control (PWM0CTL), offset 0x040 .....                         | 438 |
| Register 11: | PWM1 Control (PWM1CTL), offset 0x080 .....                         | 438 |
| Register 12: | PWM2 Control (PWM2CTL), offset 0x0C0 .....                         | 438 |
| Register 13: | PWM0 Interrupt Enable (PWM0INTEN), offset 0x044 .....              | 440 |
| Register 14: | PWM1 Interrupt Enable (PWM1INTEN), offset 0x084 .....              | 440 |
| Register 15: | PWM2 InterruptEnable (PWM2INTEN), offset 0x0C4 .....               | 440 |
| Register 16: | PWM0 Raw Interrupt Status (PWM0RIS), offset 0x048 .....            | 442 |
| Register 17: | PWM1 Raw Interrupt Status (PWM1RIS), offset 0x088 .....            | 442 |
| Register 18: | PWM2 Raw Interrupt Status (PWM2RIS), offset 0x0C8 .....            | 442 |
| Register 19: | PWM0 Interrupt Status and Clear (PWM0ISC), offset 0x04C .....      | 443 |
| Register 20: | PWM1 Interrupt Status and Clear (PWM1ISC), offset 0x08C .....      | 443 |
| Register 21: | PWM2 Interrupt Status and Clear (PWM2ISC), offset 0x0CC .....      | 443 |
| Register 22: | PWM0 Load (PWM0LOAD), offset 0x050 .....                           | 444 |
| Register 23: | PWM1 Load (PWM1LOAD), offset 0x090 .....                           | 444 |
| Register 24: | PWM2 Load (PWM2LOAD), offset 0x0D0 .....                           | 444 |
| Register 25: | PWM0 Counter (PWM0COUNT), offset 0x054 .....                       | 445 |
| Register 26: | PWM1 Counter (PWM1COUNT), offset 0x094 .....                       | 445 |
| Register 27: | PWM2 Counter (PWM2COUNT), offset 0x0D4 .....                       | 445 |
| Register 28: | PWM0 Compare A (PWM0CMPA), offset 0x058 .....                      | 446 |
| Register 29: | PWM1 Compare A (PWM1CMPA), offset 0x098 .....                      | 446 |
| Register 30: | PWM2 Compare A (PWM2CMPA), offset 0x0D8 .....                      | 446 |
| Register 31: | PWM0 Compare B (PWM0CMPB), offset 0x05C .....                      | 447 |
| Register 32: | PWM1 Compare B (PWM1CMPB), offset 0x09C .....                      | 447 |
| Register 33: | PWM2 Compare B (PWM2CMPB), offset 0x0DC .....                      | 447 |
| Register 34: | PWM0 Generator A Control (PWM0GENA), offset 0x060 .....            | 448 |
| Register 35: | PWM1 Generator A Control (PWM1GENA), offset 0x0A0 .....            | 448 |
| Register 36: | PWM2 Generator A Control (PWM2GENA), offset 0x0E0 .....            | 448 |
| Register 37: | PWM0 Generator B Control (PWM0GENB), offset 0x064 .....            | 451 |
| Register 38: | PWM1 Generator B Control (PWM1GENB), offset 0x0A4 .....            | 451 |
| Register 39: | PWM2 Generator B Control (PWM2GENB), offset 0x0E4 .....            | 451 |
| Register 40: | PWM0 Dead-Band Control (PWM0DBCTL), offset 0x068 .....             | 454 |
| Register 41: | PWM1 Dead-Band Control (PWM1DBCTL), offset 0x0A8 .....             | 454 |
| Register 42: | PWM2 Dead-Band Control (PWM2DBCTL), offset 0x0E8 .....             | 454 |
| Register 43: | PWM0 Dead-Band Rising-Edge Delay (PWM0DBRISE), offset 0x06C .....  | 455 |
| Register 44: | PWM1 Dead-Band Rising-Edge Delay (PWM1DBRISE), offset 0x0AC .....  | 455 |
| Register 45: | PWM2 Dead-Band Rising-Edge Delay (PWM2DBRISE), offset 0x0EC .....  | 455 |
| Register 46: | PWM0 Dead-Band Falling-Edge-Delay (PWM0DBFALL), offset 0x070 ..... | 456 |
| Register 47: | PWM1 Dead-Band Falling-Edge-Delay (PWM1DBFALL), offset 0x0B0 ..... | 456 |
| Register 48: | PWM2 Dead-Band Falling-Edge-Delay (PWM2DBFALL), offset 0x0F0 ..... | 456 |

# Revision History

The revision history table notes changes made between the indicated revisions of the LM3S310 data sheet.

**Table 1. Revision History**

| Date          | Revision | Description  |
|---------------|----------|--|
| November 2011 | 11107    | <ul style="list-style-type: none"> <li>■ Added module-specific pin tables to each chapter in the new Signal Description sections.</li> <li>■ In Timer chapter, clarified that in 16-Bit Input Edge Time Mode, the timer is capable of capturing three types of events: rising edge, falling edge, or both.</li> <li>■ In UART chapter, clarified interrupt behavior.</li> <li>■ In SSI chapter, corrected SSIClk in the figure "Synchronous Serial Frame Format (Single Transfer)".</li> <li>■ In Signal Tables chapter:               <ul style="list-style-type: none"> <li>– Corrected pin numbers in table "Connections for Unused Signals" (other pin tables were correct).</li> <li>– Corrected buffer type for PWMn signals in pin tables.</li> </ul> </li> <li>■ In Electrical Characteristics chapter:               <ul style="list-style-type: none"> <li>– Added parameter "Input voltage for a GPIO configured as an analog input" to the "Maximum Ratings" table.</li> <li>– Corrected Nom values for parameters "TCK clock Low time" and "TCK clock High time" in "JTAG Characteristics" table.</li> </ul> </li> <li>■ Additional minor data sheet clarifications and corrections.</li> </ul> |
| January 2011  | 9102     | <ul style="list-style-type: none"> <li>■ In <b>Application Interrupt and Reset Control (APINT)</b> register, changed bit name from <code>SYSRESETREQ</code> to <code>SYSRESREQ</code>.</li> <li>■ Added <code>DEBUG</code> (Debug Priority) bit field to <b>System Handler Priority 3 (SYSPRI3)</b> register.</li> <li>■ Added "Reset Sources" table to System Control chapter.</li> <li>■ Removed mention of false-start bit detection in the UART chapter. This feature is not supported.</li> <li>■ Added note that specific module clocks must be enabled before that module's registers can be programmed. There must be a delay of 3 system clocks after the module clock is enabled before any of that module's registers are accessed.</li> <li>■ Added specification for maximum input voltage on a non-power pin when the microcontroller is unpowered (<math>V_{NON}</math> parameter in Maximum Ratings table).</li> <li>■ Additional minor data sheet clarifications and corrections.</li> </ul>  |

Table 1. Revision History (continued)

| Date           | Revision | Description   |
|----------------|----------|---|
| September 2010 | 7783     | <ul style="list-style-type: none"> <li>■ Reorganized ARM Cortex-M3 Processor Core, Memory Map and Interrupts chapters, creating two new chapters, The Cortex-M3 Processor and Cortex-M3 Peripherals. Much additional content was added, including all the Cortex-M3 registers.</li> <li>■ Changed register names to be consistent with StellarisWare® names: the Cortex-M3 <b>Interrupt Control and Status (ICSR)</b> register to the <b>Interrupt Control and State (INTCTRL)</b> register, and the Cortex-M3 <b>Interrupt Set Enable (SETNA)</b> register to the <b>Interrupt 0-31 Set Enable (EN0)</b> register.</li> <li>■ Added clarification of instruction execution during Flash operations.</li> <li>■ Modified Figure 7-2 on page 230 to clarify operation of the GPIO inputs when used as an alternate function.</li> <li>■ Added caution not to apply a Low value to PB7 when debugging; a Low value on the pin causes the JTAG controller to be reset, resulting in a loss of JTAG communication.</li> <li>■ In General-Purpose Timers chapter, clarified operation of the 32-bit RTC mode.</li> <li>■ Added missing table "Connections for Unused Signals" (Table 15-5 on page 466).</li> <li>■ In Electrical Characteristics chapter: <ul style="list-style-type: none"> <li>– Added <math>I_{LKG}</math> parameter (GPIO input leakage current) to Table 17-4 on page 469.</li> <li>– Corrected values for <math>t_{CLKRF}</math> parameter (SSIClk rise/fall time) in Table 17-13 on page 476.</li> </ul> </li> <li>■ Added dimensions for Tray and Tape and Reel shipping mediums.</li> </ul> |
| June 2010      | 7393     | <ul style="list-style-type: none"> <li>■ Corrected base address for SRAM in architectural overview chapter.</li> <li>■ Clarified system clock operation, adding content to "Clock Control" on page 156.</li> <li>■ In Signal Tables chapter, added table "Connections for Unused Signals."</li> <li>■ In "Reset Characteristics" table, corrected value for supply voltage (VDD) rise time.</li> <li>■ Additional minor data sheet clarifications and corrections.</li> </ul>   |
| April 2010     | 7004     | <ul style="list-style-type: none"> <li>■ Added caution note to the <b>I<sup>2</sup>C Master Timer Period (I2CMTPR)</b> register description and changed field width to 7 bits.</li> <li>■ Added note about <math>\overline{RST}</math> signal routing.</li> <li>■ Clarified the function of the <math>T_{HSTALL}</math> bit in the <b>GPTMCTL</b> register.</li> <li>■ Additional minor data sheet clarifications and corrections.</li> </ul>   |

Table 1. Revision History (continued)

| Date         | Revision | Description  |
|--------------|----------|--|
| January 2010 | 6712     | <ul style="list-style-type: none"> <li>■ In "System Control" section, clarified Debug Access Port operation after Sleep modes.</li> <li>■ Clarified wording on Flash memory access errors.</li> <li>■ Added section on Flash interrupts.</li> <li>■ Clarified operation of SSI transmit FIFO.</li> <li>■ Made these changes to the Operating Characteristics chapter: <ul style="list-style-type: none"> <li>– Added storage temperature ratings to "Temperature Characteristics" table</li> <li>– Added "ESD Absolute Maximum Ratings" table</li> </ul> </li> <li>■ Made these changes to the Electrical Characteristics chapter: <ul style="list-style-type: none"> <li>– In "Flash Memory Characteristics" table, corrected Mass erase time</li> <li>– Added sleep and deep-sleep wake-up times ("Sleep Modes AC Characteristics" table)</li> <li>– In "Reset Characteristics" table, corrected supply voltage (VDD) rise time</li> </ul> </li> </ul> |
| October 2009 | 6438     | <ul style="list-style-type: none"> <li>■ The reset value for the <b>DID1</b> register may change, depending on the package.</li> <li>■ Deleted reset value for 16-bit mode from <b>GPTMTAILR</b>, <b>GPTMTAMATCHR</b>, and <b>GPTMTAR</b> registers because the module resets in 32-bit mode.</li> <li>■ Made these changes to the Electrical Characteristics chapter: <ul style="list-style-type: none"> <li>– Removed VS<sub>IH</sub> and VS<sub>IL</sub> parameters from Operating Conditions table.</li> <li>– Changed SSI set up and hold times to be expressed in system clocks, not ns.</li> </ul> </li> <li>■ Added 48QFN package.</li> <li>■ Additional minor data sheet clarifications and corrections.</li> </ul>   |
| July 2009    | 5953     | <ul style="list-style-type: none"> <li>■ Clarified Power-on reset and <math>\overline{\text{RST}}</math> pin operation; added new diagrams.</li> <li>■ Added <b>DBG</b> bits missing from <b>FMPRE</b> register. This changes register reset value.</li> <li>■ In ADC characteristics table, changed Max value for <b>GAIN</b> parameter from <math>\pm 1</math> to <math>\pm 3</math> and added <b>E<sub>IR</sub></b> (Internal voltage reference error) parameter.</li> <li>■ Corrected ordering numbers.</li> <li>■ Additional minor data sheet clarifications and corrections.</li> </ul>  |
| April 2009   | 5369     | <ul style="list-style-type: none"> <li>■ Added JTAG/SWD clarification (see "Communication with JTAG/SWD" on page 146).</li> <li>■ Added "GPIO Module DC Characteristics" table (see Table 17-4 on page 469).</li> <li>■ Additional minor data sheet clarifications and corrections.</li> </ul>   |
| January 2009 | 4644     | <ul style="list-style-type: none"> <li>■ Incorrect bit type for RELOAD bit field in SysTick Reload Value register; changed to R/W.</li> <li>■ Clarification added as to what happens when the SSI in slave mode is required to transmit but there is no data in the TX FIFO.</li> <li>■ Minor corrections to comparator operating mode tables.</li> <li>■ Additional minor data sheet clarifications and corrections.</li> </ul>   |

Table 1. Revision History (*continued*)

| Date          | Revision | Description  |
|---------------|----------|--|
| November 2008 | 4283     | <ul style="list-style-type: none"> <li>■ Revised High-Level Block Diagram.</li> <li>■ Corrected descriptions for UART1 signals.</li> <li>■ Additional minor data sheet clarifications and corrections were made.</li> </ul>  |
| October 2008  | 4149     | <ul style="list-style-type: none"> <li>■ Added note on clearing interrupts to the Interrupts chapter:               <p data-bbox="532 478 1456 659"><b>Note:</b> It may take several processor cycles after a write to clear an interrupt source in order for NVIC to see the interrupt source de-assert. This means if the interrupt clear is done as the last action in an interrupt handler, it is possible for the interrupt handler to complete while NVIC sees the interrupt as still asserted, causing the interrupt handler to be re-entered errantly. This can be avoided by either clearing the interrupt source at the beginning of the interrupt handler or by performing a read or write after the write to clear the interrupt source (and flush the write buffer)</p> </li> <li>■ Bit 13 and bit 5 of the <b>GPTM Control (GPTMCTL)</b> register should have been marked as reserved for Stellaris<sup>®</sup> devices without an ADC module.</li> <li>■ Additional minor data sheet clarifications and corrections were made.</li> </ul> |
| June 2008     | 2972     | Started tracking revision history.   |

## About This Document

This data sheet provides reference information for the LM3S310 microcontroller, describing the functional blocks of the system-on-chip (SoC) device designed around the ARM® Cortex™-M3 core.

### Audience

This manual is intended for system software developers, hardware designers, and application developers.

### About This Manual

This document is organized into sections that correspond to each major feature.

### Related Documents

The following related documents are available on the Stellaris® web site at [www.ti.com/stellaris](http://www.ti.com/stellaris):

- *Stellaris® Errata*
- *ARM® Cortex™-M3 Errata*
- *Cortex™-M3/M4 Instruction Set Technical User's Manual*
- *Stellaris® Graphics Library User's Guide*
- *Stellaris® Peripheral Driver Library User's Guide*

The following related documents are also referenced:

- *ARM® Debug Interface V5 Architecture Specification*
- *ARM® Embedded Trace Macrocell Architecture Specification*
- *IEEE Standard 1149.1-Test Access Port and Boundary-Scan Architecture*

This documentation list was current as of publication date. Please check the web site for additional documentation, including application notes and white papers.

## Documentation Conventions

This document uses the conventions shown in Table 2 on page 24.

**Table 2. Documentation Conventions**

| Notation                              | Meaning  |
|---------------------------------------|--|
| <b>General Register Notation</b>      |  |
| <b>REGISTER</b>                       | APB registers are indicated in uppercase bold. For example, <b>PBORCTL</b> is the Power-On and Brown-Out Reset Control register. If a register name contains a lowercase n, it represents more than one register. For example, <b>SRCRn</b> represents any (or all) of the three Software Reset Control registers: <b>SRCR0</b> , <b>SRCR1</b> , and <b>SRCR2</b> .  |
| bit                                   | A single bit in a register.  |
| bit field                             | Two or more consecutive and related bits.  |
| offset 0xnnn                          | A hexadecimal increment to a register's address, relative to that module's base address as specified in Table 2-4 on page 59.  |
| Register N                            | Registers are numbered consecutively throughout the document to aid in referencing them. The register number has no meaning to software.   |
| reserved                              | Register bits marked <i>reserved</i> are reserved for future use. In most cases, reserved bits are set to 0; however, user software should not rely on the value of a reserved bit. To provide software compatibility with future products, the value of a reserved bit should be preserved across a read-modify-write operation.  |
| yy:xx                                 | The range of register bits inclusive from xx to yy. For example, 31:15 means bits 15 through 31 in that register.  |
| <b>Register Bit/Field Types</b>       |  |
| RC                                    | Software can read this field. The bit or field is cleared by hardware after reading the bit/field.   |
| RO                                    | Software can read this field. Always write the chip reset value.   |
| R/W                                   | Software can read or write this field.   |
| R/WC                                  | Software can read or write this field. Writing to it with any value clears the register.   |
| R/W1C                                 | Software can read or write this field. A write of a 0 to a W1C bit does not affect the bit value in the register. A write of a 1 clears the value of the bit in the register; the remaining bits remain unchanged. This register type is primarily used for clearing interrupt status bits where the read operation provides the interrupt status and the write of the read value clears only the interrupts being reported at the time the register was read. |
| R/W1S                                 | Software can read or write a 1 to this field. A write of a 0 to a R/W1S bit does not affect the bit value in the register.   |
| W1C                                   | Software can write this field. A write of a 0 to a W1C bit does not affect the bit value in the register. A write of a 1 clears the value of the bit in the register; the remaining bits remain unchanged. A read of the register returns no meaningful data. This register is typically used to clear the corresponding bit in an interrupt register.   |
| WO                                    | Only a write by software is valid; a read of the register returns no meaningful data.  |
| <b>Register Bit/Field Reset Value</b> |  |
| 0                                     | Bit cleared to 0 on chip reset.  |
| 1                                     | Bit set to 1 on chip reset.  |
| -                                     | Nondeterministic.  |
| <b>Pin/Signal Notation</b>            |  |
| [ ]                                   | Pin alternate function; a pin defaults to the signal without the brackets.   |
| pin                                   | Refers to the physical connection on the package.  |
| signal                                | Refers to the electrical signal encoding of a pin.   |

**Table 2. Documentation Conventions (continued)**

| <b>Notation</b>            | <b>Meaning</b>   |
|----------------------------|--|
| assert a signal            | Change the value of the signal from the logically False state to the logically True state. For active High signals, the asserted signal value is 1 (High); for active Low signals, the asserted signal value is 0 (Low). The active polarity (High or Low) is defined by the signal name (see <code>SIGNAL</code> and <code><u>SIGNAL</u></code> below). |
| deassert a signal          | Change the value of the signal from the logically True state to the logically False state.   |
| <code><u>SIGNAL</u></code> | Signal names are in uppercase and in the Courier font. An overbar on a signal name indicates that it is active Low. To assert <code><u>SIGNAL</u></code> is to drive it Low; to deassert <code><u>SIGNAL</u></code> is to drive it High.   |
| <code>SIGNAL</code>        | Signal names are in uppercase and in the Courier font. An active High signal has no overbar. To assert <code>SIGNAL</code> is to drive it High; to deassert <code>SIGNAL</code> is to drive it Low.  |
| <b>Numbers</b>             |  |
| X                          | An uppercase X indicates any of several values is allowed, where X can be any legal pattern. For example, a binary value of 0X00 can be either 0100 or 0000, a hex value of 0xX is 0x0 or 0x1, and so on.  |
| 0x                         | Hexadecimal numbers have a prefix of 0x. For example, 0x00FF is the hexadecimal number FF. All other numbers within register tables are assumed to be binary. Within conceptual information, binary numbers are indicated with a b suffix, for example, 1011b, and decimal numbers are written without a prefix or suffix.                               |

# 1 Architectural Overview

The Stellaris<sup>®</sup> family of microcontrollers—the first ARM<sup>®</sup> Cortex<sup>™</sup>-M3 based controllers—brings high-performance 32-bit computing to cost-sensitive embedded microcontroller applications. These pioneering parts deliver customers 32-bit performance at a cost equivalent to legacy 8- and 16-bit devices, all in a package with a small footprint.

The LM3S310 microcontroller is targeted for industrial applications, including test and measurement equipment, factory automation, HVAC and building control, motion control, medical instrumentation, fire and security, and power/energy.

In addition, the LM3S310 microcontroller offers the advantages of ARM's widely available development tools, System-on-Chip (SoC) infrastructure IP applications, and a large user community. Additionally, the microcontroller uses ARM's Thumb<sup>®</sup>-compatible Thumb-2 instruction set to reduce memory requirements and, thereby, cost. Finally, the LM3S310 microcontroller is code-compatible to all members of the extensive Stellaris family; providing flexibility to fit our customers' precise needs.

Texas Instruments offers a complete solution to get to market quickly, with evaluation and development boards, white papers and application notes, an easy-to-use peripheral driver library, and a strong support, sales, and distributor network. See "Ordering and Contact Information" on page 501 for ordering information for Stellaris family devices.

## 1.1 Product Features

The LM3S310 microcontroller includes the following product features:

- 32-Bit RISC Performance
  - 32-bit ARM<sup>®</sup> Cortex<sup>™</sup>-M3 v7M architecture optimized for small-footprint embedded applications
  - System timer (SysTick), providing a simple, 24-bit clear-on-write, decrementing, wrap-on-zero counter with a flexible control mechanism
  - Thumb<sup>®</sup>-compatible Thumb-2-only instruction set processor core for high code density
  - 25-MHz operation
  - Hardware-division and single-cycle-multiplication
  - Integrated Nested Vectored Interrupt Controller (NVIC) providing deterministic interrupt handling
  - 23 interrupts with eight priority levels
  - Memory protection unit (MPU), providing a privileged mode for protected operating system functionality
  - Unaligned data access, enabling data to be efficiently packed into memory
  - Atomic bit manipulation (bit-banding), delivering maximum memory utilization and streamlined peripheral control
- ARM<sup>®</sup> Cortex<sup>™</sup>-M3 Processor Core

- Compact core.
- Thumb-2 instruction set, delivering the high-performance expected of an ARM core in the memory size usually associated with 8- and 16-bit devices; typically in the range of a few kilobytes of memory for microcontroller class applications.
- Rapid application execution through Harvard architecture characterized by separate buses for instruction and data.
- Exceptional interrupt handling, by implementing the register manipulations required for handling an interrupt in hardware.
- Deterministic, fast interrupt processing: always 12 cycles, or just 6 cycles with tail-chaining
- Memory protection unit (MPU) to provide a privileged mode of operation for complex applications.
- Migration from the ARM7™ processor family for better performance and power efficiency.
- Full-featured debug solution
  - Serial Wire JTAG Debug Port (SWJ-DP)
  - Flash Patch and Breakpoint (FPB) unit for implementing breakpoints
  - Data Watchpoint and Trigger (DWT) unit for implementing watchpoints, trigger resources, and system profiling
  - Instrumentation Trace Macrocell (ITM) for support of printf style debugging
  - Trace Port Interface Unit (TPIU) for bridging to a Trace Port Analyzer
- Optimized for single-cycle flash usage
- Three sleep modes with clock gating for low power
- Single-cycle multiply instruction and hardware divide
- Atomic operations
- ARM Thumb2 mixed 16-/32-bit instruction set
- 1.25 DMIPS/MHz
- JTAG
  - IEEE 1149.1-1990 compatible Test Access Port (TAP) controller
  - Four-bit Instruction Register (IR) chain for storing JTAG instructions
  - IEEE standard instructions: BYPASS, IDCODE, SAMPLE/PRELOAD, EXTEST and INTTEST
  - ARM additional instructions: APACC, DPACC and ABORT
  - Integrated ARM Serial Wire Debug (SWD)

- Internal Memory
  - 16 KB single-cycle flash
    - User-managed flash block protection on a 2-KB block basis
    - User-managed flash data programming
    - User-defined and managed flash-protection block
  - 4 KB single-cycle SRAM
- GPIOs
  - 3-36 GPIOs, depending on configuration
  - 5-V-tolerant in input configuration
  - Fast toggle capable of a change every two clock cycles
  - Programmable control for GPIO interrupts
    - Interrupt generation masking
    - Edge-triggered on rising, falling, or both
    - Level-sensitive on High or Low values
  - Bit masking in both read and write operations through address lines
  - Pins configured as digital inputs are Schmitt-triggered.
  - Programmable control for GPIO pad configuration
    - Weak pull-up or pull-down resistors
    - 2-mA, 4-mA, and 8-mA pad drive for digital communication
    - Slew rate control for the 8-mA drive
    - Open drain enables
    - Digital input enables
- General-Purpose Timers
  - Three General-Purpose Timer Modules (GPTM), each of which provides two 16-bit timers/counters. Each GPTM can be configured to operate independently:
    - As a single 32-bit timer
    - As one 32-bit Real-Time Clock (RTC) to event capture
    - For Pulse Width Modulation (PWM)
  - 32-bit Timer modes

- Programmable one-shot timer
- Programmable periodic timer
- Real-Time Clock when using an external 32.768-KHz clock as the input
- User-enabled stalling when the controller asserts CPU Halt flag during debug
- 16-bit Timer modes
  - General-purpose timer function with an 8-bit prescaler (for one-shot and periodic modes only)
  - Programmable one-shot timer
  - Programmable periodic timer
  - User-enabled stalling when the controller asserts CPU Halt flag during debug
- 16-bit Input Capture modes
  - Input edge count capture
  - Input edge time capture
- 16-bit PWM mode
  - Simple PWM mode with software-programmable output inversion of the PWM signal
- ARM FiRM-compliant Watchdog Timer
  - 32-bit down counter with a programmable load register
  - Separate watchdog clock with an enable
  - Programmable interrupt generation logic with interrupt masking
  - Lock register protection from runaway software
  - Reset generation logic with an enable/disable
  - User-enabled stalling when the controller asserts the CPU Halt flag during debug
- UART
  - Two fully programmable 16C550-type UARTs
  - Separate 16x8 transmit (TX) and receive (RX) FIFOs to reduce CPU interrupt service loading
  - Programmable baud-rate generator allowing speeds up to 1.5625 Mbps
  - Programmable FIFO length, including 1-byte deep operation providing conventional double-buffered interface
  - FIFO trigger levels of 1/8, 1/4, 1/2, 3/4, and 7/8
  - Standard asynchronous communication bits for start, stop, and parity

- Line-break generation and detection
- Fully programmable serial interface characteristics
  - 5, 6, 7, or 8 data bits
  - Even, odd, stick, or no-parity bit generation/detection
  - 1 or 2 stop bit generation
- Synchronous Serial Interface (SSI)
  - Master or slave operation
  - Programmable clock bit rate and prescale
  - Separate transmit and receive FIFOs, 16 bits wide, 8 locations deep
  - Programmable interface operation for Freescale SPI, MICROWIRE, or Texas Instruments synchronous serial interfaces
  - Programmable data frame size from 4 to 16 bits
  - Internal loopback test mode for diagnostic/debug testing
- Analog Comparators
  - Three independent integrated analog comparators
  - Configurable for output to drive an output pin or generate an interrupt
  - Compare external pin input to external pin input or to internal programmable voltage reference
  - Compare a test voltage against any one of these voltages
    - An individual external reference voltage
    - A shared single external reference voltage
    - A shared internal reference voltage
- PWM
  - Three PWM generator blocks, each with one 16-bit counter, two PWM comparators, a PWM signal generator, a dead-band generator, and an interrupt selector
  - One fault input in hardware to promote low-latency shutdown
  - One 16-bit counter
    - Runs in Down or Up/Down mode
    - Output frequency controlled by a 16-bit load value
    - Load value updates can be synchronized
    - Produces output signals at zero and load value

- Two PWM comparators
  - Comparator value updates can be synchronized
  - Produces output signals on match
- PWM generator
  - Output PWM signal is constructed based on actions taken as a result of the counter and PWM comparator output signals
  - Produces two independent PWM signals
- Dead-band generator
  - Produces two PWM signals with programmable dead-band delays suitable for driving a half-H bridge
  - Can be bypassed, leaving input PWM signals unmodified
- Flexible output control block with PWM output enable of each PWM signal
  - PWM output enable of each PWM signal
  - Optional output inversion of each PWM signal (polarity control)
  - Optional fault handling for each PWM signal
  - Synchronization of timers in the PWM generator blocks
  - Interrupt status summary of the PWM generator blocks
- Power
  - On-chip Low Drop-Out (LDO) voltage regulator, with programmable output user-adjustable from 2.25 V to 2.75 V
  - Low-power options on controller: Sleep and Deep-sleep modes
  - Low-power options for peripherals: software controls shutdown of individual peripherals
  - User-enabled LDO unregulated voltage detection and automatic reset
  - 3.3-V supply brown-out detection and reporting via interrupt or reset
- Flexible Reset Sources
  - Power-on reset (POR)
  - Reset pin assertion
  - Brown-out (BOR) detector alerts to system power drops
  - Software reset
  - Watchdog timer reset

- Internal low drop-out (LDO) regulator output goes unregulated
- Industrial and extended temperature 48-pin RoHS-compliant LQFP package
- Industrial and extended temperature 48-pin RoHS-compliant QFN package

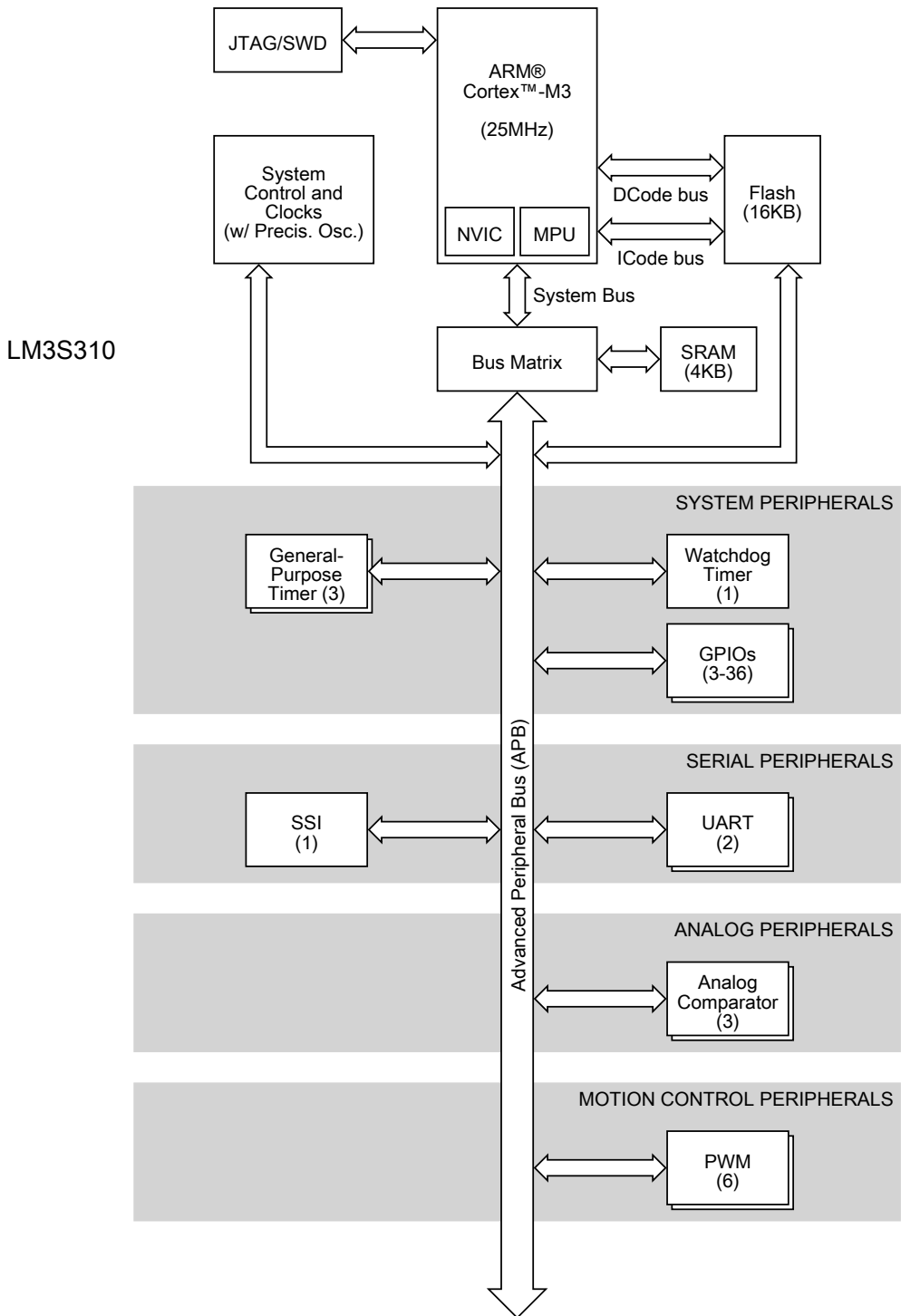
## **1.2 Target Applications**

- Factory automation and control
- Industrial control power devices
- Building and home automation
- Stepper motors
- Brushless DC motors
- AC induction motors

## **1.3 High-Level Block Diagram**

Figure 1-1 on page 33 depicts the features on the Stellaris LM3S310 microcontroller.

Figure 1-1. Stellaris LM3S310 Microcontroller High-Level Block Diagram



## 1.4 Functional Overview

The following sections provide an overview of the features of the LM3S310 microcontroller. The page number in parenthesis indicates where that feature is discussed in detail. Ordering and support information can be found in “Ordering and Contact Information” on page 501.

### 1.4.1 ARM Cortex™-M3

#### 1.4.1.1 Processor Core (see page 40)

All members of the Stellaris product family, including the LM3S310 microcontroller, are designed around an ARM Cortex™-M3 processor core. The ARM Cortex-M3 processor provides the core for a high-performance, low-cost platform that meets the needs of minimal memory implementation, reduced pin count, and low-power consumption, while delivering outstanding computational performance and exceptional system response to interrupts.

#### 1.4.1.2 Memory Map (see page 59)

A memory map lists the location of instructions and data in memory. The memory map for the LM3S310 controller can be found in Table 2-4 on page 59. Register addresses are given as a hexadecimal increment, relative to the module's base address as shown in the memory map.

#### 1.4.1.3 System Timer (SysTick) (see page 82)

Cortex-M3 includes an integrated system timer, SysTick. SysTick provides a simple, 24-bit clear-on-write, decrementing, wrap-on-zero counter with a flexible control mechanism. The counter can be used in several different ways, for example:

- An RTOS tick timer which fires at a programmable rate (for example, 100 Hz) and invokes a SysTick routine.
- A high-speed alarm timer using the system clock.
- A variable rate alarm or signal timer—the duration is range-dependent on the reference clock used and the dynamic range of the counter.
- A simple counter. Software can use this to measure time to completion and time used.
- An internal clock source control based on missing/meeting durations. The COUNTFLAG bit-field in the control and status register can be used to determine if an action completed within a set duration, as part of a dynamic clock management control loop.

#### 1.4.1.4 Nested Vectored Interrupt Controller (NVIC) (see page 83)

The LM3S310 controller includes the ARM Nested Vectored Interrupt Controller (NVIC) on the ARM® Cortex™-M3 core. The NVIC and Cortex-M3 prioritize and handle all exceptions. All exceptions are handled in Handler Mode. The processor state is automatically stored to the stack on an exception, and automatically restored from the stack at the end of the Interrupt Service Routine (ISR). The vector is fetched in parallel to the state saving, which enables efficient interrupt entry. The processor supports tail-chaining, which enables back-to-back interrupts to be performed without the overhead of state saving and restoration. Software can set eight priority levels on 7 exceptions (system handlers) and 23 interrupts.

#### 1.4.1.5 System Control Block (SCB) (see page 85)

The SCB provides system implementation information and system control, including configuration, control, and reporting of system exceptions.

#### 1.4.1.6 Memory Protection Unit (MPU) (see page 85)

The MPU supports the standard ARMv7 Protected Memory System Architecture (PMSA) model. The MPU provides full support for protection regions, overlapping protection regions, access permissions, and exporting memory attributes to the system.

### 1.4.2 Motor Control Peripherals

To enhance motor control, the LM3S310 controller features Pulse Width Modulation (PWM) outputs.

#### 1.4.2.1 PWM

Pulse width modulation (PWM) is a powerful technique for digitally encoding analog signal levels. High-resolution counters are used to generate a square wave, and the duty cycle of the square wave is modulated to encode an analog signal. Typical applications include switching power supplies and motor control.

On the LM3S310, PWM motion control functionality can be achieved through:

- Dedicated, flexible motion control hardware using the PWM pins
- The motion control features of the general-purpose timers using the CCP pins

##### ***PWM Pins (see page 419)***

The LM3S310 PWM module consists of three PWM generator blocks and a control block. Each PWM generator block contains one timer (16-bit down or up/down counter), two comparators, a PWM signal generator, a dead-band generator, and an interrupt. The control block determines the polarity of the PWM signals, and which signals are passed through to the pins.

Each PWM generator block produces two PWM signals that can either be independent signals or a single pair of complementary signals with dead-band delays inserted. The output of the PWM generation blocks are managed by the output control block before being passed to the device pins.

##### ***CCP Pins (see page 273)***

The General-Purpose Timer Module's CCP (Capture Compare PWM) pins are software programmable to support a simple PWM mode with a software-programmable output inversion of the PWM signal.

##### ***Fault Pin (see page 425)***

The LM3S310 PWM module includes one fault-condition handling input to quickly provide low-latency shutdown and prevent damage to the motor being controlled.

### 1.4.3 Analog Peripherals

For support of analog signals, the LM3S310 microcontroller offers three analog comparators.

#### 1.4.3.1 Analog Comparators (see page 405)

An analog comparator is a peripheral that compares two analog voltages, and provides a logical output that signals the comparison result.

The LM3S310 microcontroller provides three independent integrated analog comparators that can be configured to drive an output or generate an interrupt .

A comparator can compare a test voltage against any one of these voltages:

- An individual external reference voltage
- A shared single external reference voltage
- A shared internal reference voltage

The comparator can provide its output to a device pin, acting as a replacement for an analog comparator on the board, or it can be used to signal the application via interrupts to cause it to start capturing a sample sequence.

#### 1.4.4 Serial Communications Peripherals

The LM3S310 controller supports both asynchronous and synchronous serial communications with:

- Two fully programmable 16C550-type UARTs
- One SSI module

##### 1.4.4.1 UART (see page 327)

A Universal Asynchronous Receiver/Transmitter (UART) is an integrated circuit used for RS-232C serial communications, containing a transmitter (parallel-to-serial converter) and a receiver (serial-to-parallel converter), each clocked separately.

The LM3S310 controller includes two fully programmable 16C550-type UARTs that support data transfer speeds up to 1.5625 Mbps. (Although similar in functionality to a 16C550 UART, it is not register-compatible.)

Separate 16x8 transmit (TX) and receive (RX) FIFOs reduce CPU interrupt service loading. The UART can generate individually masked interrupts from the RX, TX, modem status, and error conditions. The module provides a single combined interrupt when any of the interrupts are asserted and are unmasked.

##### 1.4.4.2 SSI (see page 367)

Synchronous Serial Interface (SSI) is a four-wire bi-directional full and low-speed communications interface.

The LM3S310 controller includes one SSI module that provides the functionality for synchronous serial communications with peripheral devices, and can be configured to use the Freescale SPI, MICROWIRE, or TI synchronous serial interface frame formats. The size of the data frame is also configurable, and can be set between 4 and 16 bits, inclusive.

The SSI module performs serial-to-parallel conversion on data received from a peripheral device, and parallel-to-serial conversion on data transmitted to a peripheral device. The TX and RX paths are buffered with internal FIFOs, allowing up to eight 16-bit values to be stored independently.

The SSI module can be configured as either a master or slave device. As a slave device, the SSI module can also be configured to disable its output, which allows a master device to be coupled with multiple slave devices.

The SSI module also includes a programmable bit rate clock divider and prescaler to generate the output serial clock derived from the SSI module's input clock. Bit rates are generated based on the input clock and the maximum bit rate is determined by the connected peripheral.

## 1.4.5 System Peripherals

### 1.4.5.1 Programmable GPIOs (see page 224)

General-purpose input/output (GPIO) pins offer flexibility for a variety of connections.

The Stellaris GPIO module is comprised of five physical GPIO blocks, each corresponding to an individual GPIO port. The GPIO module is FIRM-compliant (compliant to the ARM Foundation IP for Real-Time Microcontrollers specification) and supports 3-36 programmable input/output pins. The number of GPIOs available depends on the peripherals being used (see “Signal Tables” on page 459 for the signals available to each GPIO pin).

The GPIO module features programmable interrupt generation as either edge-triggered or level-sensitive on all pins, programmable control for GPIO pad configuration, and bit masking in both read and write operations through address lines. Pins configured as digital inputs are Schmitt-triggered.

### 1.4.5.2 Three Programmable Timers (see page 267)

Programmable timers can be used to count or time external events that drive the Timer input pins.

The Stellaris General-Purpose Timer Module (GPTM) contains three GPTM blocks. Each GPTM block provides two 16-bit timers/counters that can be configured to operate independently as timers or event counters, or configured to operate as one 32-bit timer or one 32-bit Real-Time Clock (RTC).

When configured in 32-bit mode, a timer can run as a Real-Time Clock (RTC), one-shot timer or periodic timer. When in 16-bit mode, a timer can run as a one-shot timer or periodic timer, and can extend its precision by using an 8-bit prescaler. A 16-bit timer can also be configured for event capture or Pulse Width Modulation (PWM) generation.

### 1.4.5.3 Watchdog Timer (see page 303)

A watchdog timer can generate an interrupt or a reset when a time-out value is reached. The watchdog timer is used to regain control when a system has failed due to a software error or to the failure of an external device to respond in the expected way.

The Stellaris Watchdog Timer module consists of a 32-bit down counter, a programmable load register, interrupt generation logic, and a locking register.

The Watchdog Timer can be configured to generate an interrupt to the controller on its first time-out, and to generate a reset signal on its second time-out. Once the Watchdog Timer has been configured, the lock register can be written to prevent the timer configuration from being inadvertently altered.

## 1.4.6 Memory Peripherals

The LM3S310 controller offers both single-cycle SRAM and single-cycle Flash memory.

### 1.4.6.1 SRAM (see page 207)

The LM3S310 static random access memory (SRAM) controller supports 4 KB SRAM. The internal SRAM of the Stellaris devices starts at base address 0x2000.0000 of the device memory map. To reduce the number of time-consuming read-modify-write (RMW) operations, ARM has introduced *bit-banding* technology in the new Cortex-M3 processor. With a bit-band-enabled processor, certain

regions in the memory map (SRAM and peripheral space) can use address aliases to access individual bits in a single, atomic operation.

#### 1.4.6.2 Flash (see page 208)

The LM3S310 Flash controller supports 16 KB of flash memory. The flash is organized as a set of 1-KB blocks that can be individually erased. Erasing a block causes the entire contents of the block to be reset to all 1s. These blocks are paired into a set of 2-KB blocks that can be individually protected. The blocks can be marked as read-only or execute-only, providing different levels of code protection. Read-only blocks cannot be erased or programmed, protecting the contents of those blocks from being modified. Execute-only blocks cannot be erased or programmed, and can only be read by the controller instruction fetch mechanism, protecting the contents of those blocks from being read by either the controller or by a debugger.

### 1.4.7 Additional Features

#### 1.4.7.1 JTAG TAP Controller (see page 140)

The Joint Test Action Group (JTAG) port is an IEEE standard that defines a Test Access Port and Boundary Scan Architecture for digital integrated circuits and provides a standardized serial interface for controlling the associated test logic. The TAP, Instruction Register (IR), and Data Registers (DR) can be used to test the interconnections of assembled printed circuit boards and obtain manufacturing information on the components. The JTAG Port also provides a means of accessing and controlling design-for-test features such as I/O pin observation and control, scan testing, and debugging.

The JTAG port is composed of the standard five pins:  $\overline{\text{TRST}}$ , TCK, TMS, TDI, and TDO. Data is transmitted serially into the controller on TDI and out of the controller on TDO. The interpretation of this data is dependent on the current state of the TAP controller. For detailed information on the operation of the JTAG port and TAP controller, please refer to the *IEEE Standard 1149.1-Test Access Port and Boundary-Scan Architecture*.

The Stellaris JTAG controller works with the ARM JTAG controller built into the Cortex-M3 core. This is implemented by multiplexing the TDO outputs from both JTAG controllers. ARM JTAG instructions select the ARM TDO output while Stellaris JTAG instructions select the Stellaris TDO outputs. The multiplexer is controlled by the Stellaris JTAG controller, which has comprehensive programming for the ARM, Stellaris, and unimplemented JTAG instructions.

#### 1.4.7.2 System Control and Clocks (see page 151)

System control determines the overall operation of the device. It provides information about the device, controls the clocking of the device and individual peripherals, and handles reset detection and reporting.

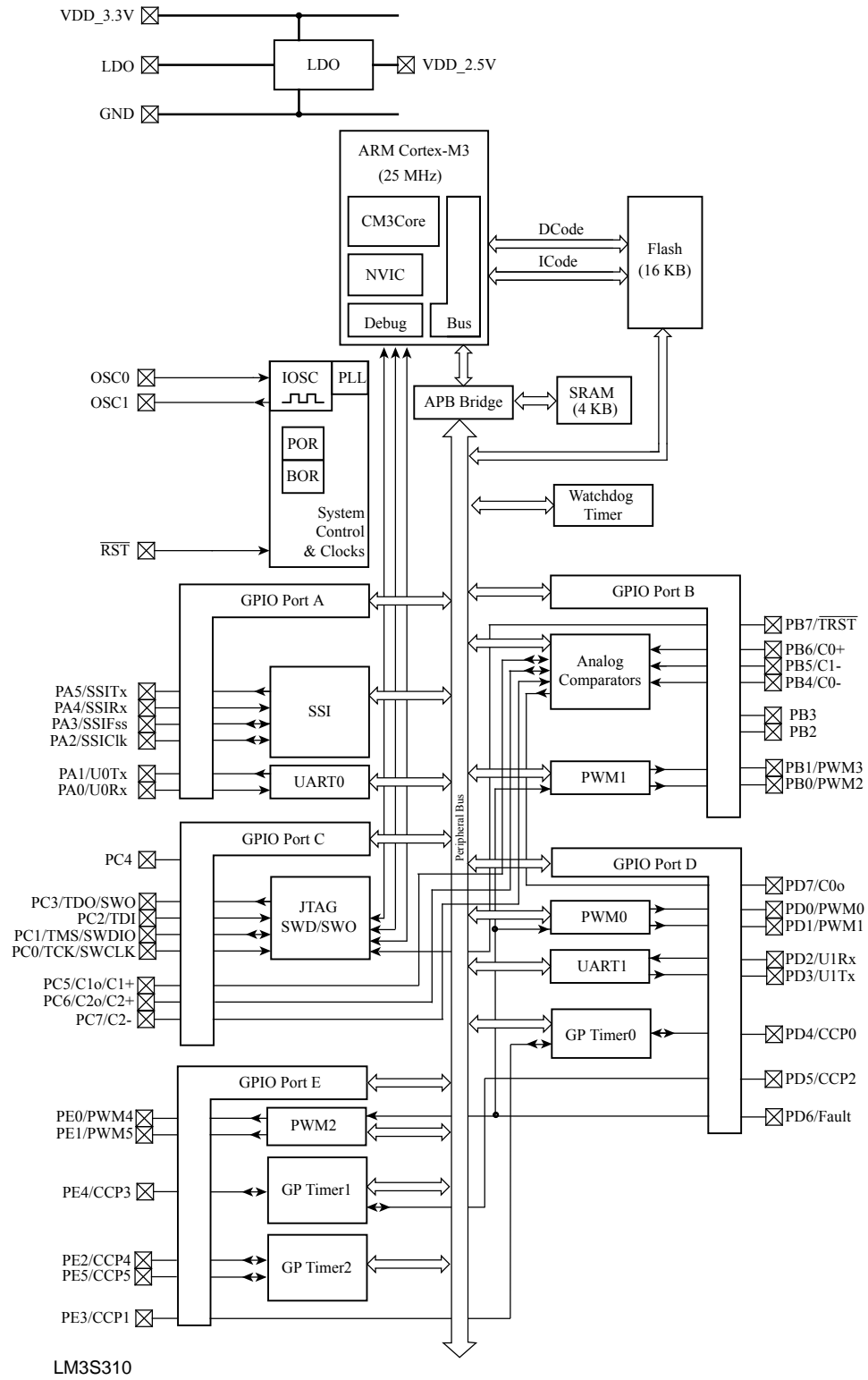
### 1.4.8 Hardware Details

Details on the pins and package can be found in the following sections:

- “Pin Diagram” on page 457
- “Signal Tables” on page 459
- “Operating Characteristics” on page 467
- “Electrical Characteristics” on page 468
- “Package Information” on page 503

### 1.4.9 System Block Diagram

Figure 1-2. LM3S310 Controller System-Level Block Diagram



## 2 The Cortex-M3 Processor

The ARM® Cortex™-M3 processor provides a high-performance, low-cost platform that meets the system requirements of minimal memory implementation, reduced pin count, and low power consumption, while delivering outstanding computational performance and exceptional system response to interrupts. Features include:

- Compact core.
- Thumb-2 instruction set, delivering the high-performance expected of an ARM core in the memory size usually associated with 8- and 16-bit devices; typically in the range of a few kilobytes of memory for microcontroller class applications.
- Rapid application execution through Harvard architecture characterized by separate buses for instruction and data.
- Exceptional interrupt handling, by implementing the register manipulations required for handling an interrupt in hardware.
- Deterministic, fast interrupt processing: always 12 cycles, or just 6 cycles with tail-chaining
- Memory protection unit (MPU) to provide a privileged mode of operation for complex applications.
- Migration from the ARM7™ processor family for better performance and power efficiency.
- Full-featured debug solution
  - Serial Wire JTAG Debug Port (SWJ-DP)
  - Flash Patch and Breakpoint (FPB) unit for implementing breakpoints
  - Data Watchpoint and Trigger (DWT) unit for implementing watchpoints, trigger resources, and system profiling
  - Instrumentation Trace Macrocell (ITM) for support of printf style debugging
  - Trace Port Interface Unit (TPIU) for bridging to a Trace Port Analyzer
- Optimized for single-cycle flash usage
- Three sleep modes with clock gating for low power
- Single-cycle multiply instruction and hardware divide
- Atomic operations
- ARM Thumb2 mixed 16-/32-bit instruction set
- 1.25 DMIPS/MHz

The Stellaris® family of microcontrollers builds on this core to bring high-performance 32-bit computing to cost-sensitive embedded microcontroller applications, such as factory automation and control, industrial control power devices, building and home automation, and stepper motor control.

This chapter provides information on the Stellaris implementation of the Cortex-M3 processor, including the programming model, the memory model, the exception model, fault handling, and power management.

For technical details on the instruction set, see the *Cortex™-M3/M4 Instruction Set Technical User's Manual*.

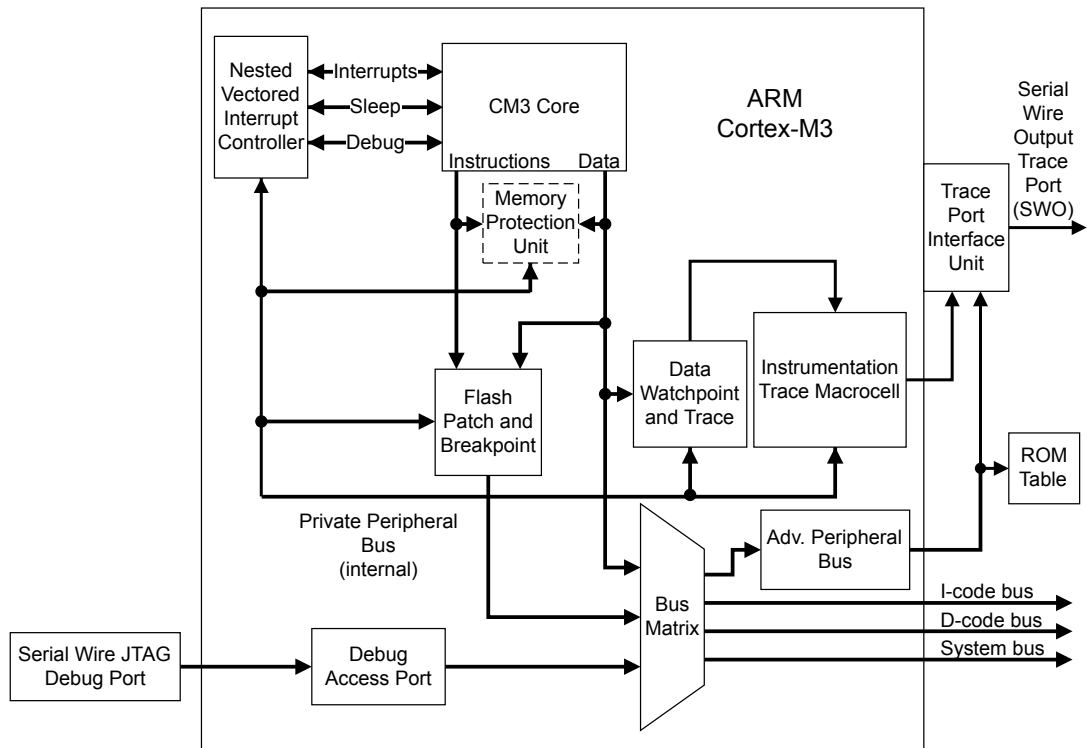
## 2.1 Block Diagram

The Cortex-M3 processor is built on a high-performance processor core, with a 3-stage pipeline Harvard architecture, making it ideal for demanding embedded applications. The processor delivers exceptional power efficiency through an efficient instruction set and extensively optimized design, providing high-end processing hardware including a range of single-cycle and SIMD multiplication and multiply-with-accumulate capabilities, saturating arithmetic and dedicated hardware division.

To facilitate the design of cost-sensitive devices, the Cortex-M3 processor implements tightly coupled system components that reduce processor area while significantly improving interrupt handling and system debug capabilities. The Cortex-M3 processor implements a version of the Thumb® instruction set based on Thumb-2 technology, ensuring high code density and reduced program memory requirements. The Cortex-M3 instruction set provides the exceptional performance expected of a modern 32-bit architecture, with the high code density of 8-bit and 16-bit microcontrollers.

The Cortex-M3 processor closely integrates a nested interrupt controller (NVIC), to deliver industry-leading interrupt performance. The Stellaris NVIC includes a non-maskable interrupt (NMI) and provides eight interrupt priority levels. The tight integration of the processor core and NVIC provides fast execution of interrupt service routines (ISRs), dramatically reducing interrupt latency. The hardware stacking of registers and the ability to suspend load-multiple and store-multiple operations further reduce interrupt latency. Interrupt handlers do not require any assembler stubs which removes code overhead from the ISRs. Tail-chaining optimization also significantly reduces the overhead when switching from one ISR to another. To optimize low-power designs, the NVIC integrates with the sleep modes, including Deep-sleep mode, which enables the entire device to be rapidly powered down.

Figure 2-1. CPU Block Diagram



## 2.2 Overview

### 2.2.1 System-Level Interface

The Cortex-M3 processor provides multiple interfaces using AMBA® technology to provide high-speed, low-latency memory accesses. The core supports unaligned data accesses and implements atomic bit manipulation that enables faster peripheral controls, system spinlocks, and thread-safe Boolean data handling.

The Cortex-M3 processor has a memory protection unit (MPU) that provides fine-grain memory control, enabling applications to implement security privilege levels and separate code, data and stack on a task-by-task basis.

### 2.2.2 Integrated Configurable Debug

The Cortex-M3 processor implements a complete hardware debug solution, providing high system visibility of the processor and memory through either a traditional JTAG port or a 2-pin Serial Wire Debug (SWD) port that is ideal for microcontrollers and other small package devices. The Stellaris implementation replaces the ARM SW-DP and JTAG-DP with the ARM CoreSight™-compliant Serial Wire JTAG Debug Port (SWJ-DP) interface. The SWJ-DP interface combines the SWD and JTAG debug ports into one module. See the *ARM® Debug Interface V5 Architecture Specification* for details on SWJ-DP.

For system trace, the processor integrates an Instrumentation Trace Macrocell (ITM) alongside data watchpoints and a profiling unit. To enable simple and cost-effective profiling of the system trace events, a Serial Wire Viewer (SWV) can export a stream of software-generated messages, data trace, and profiling information through a single pin.

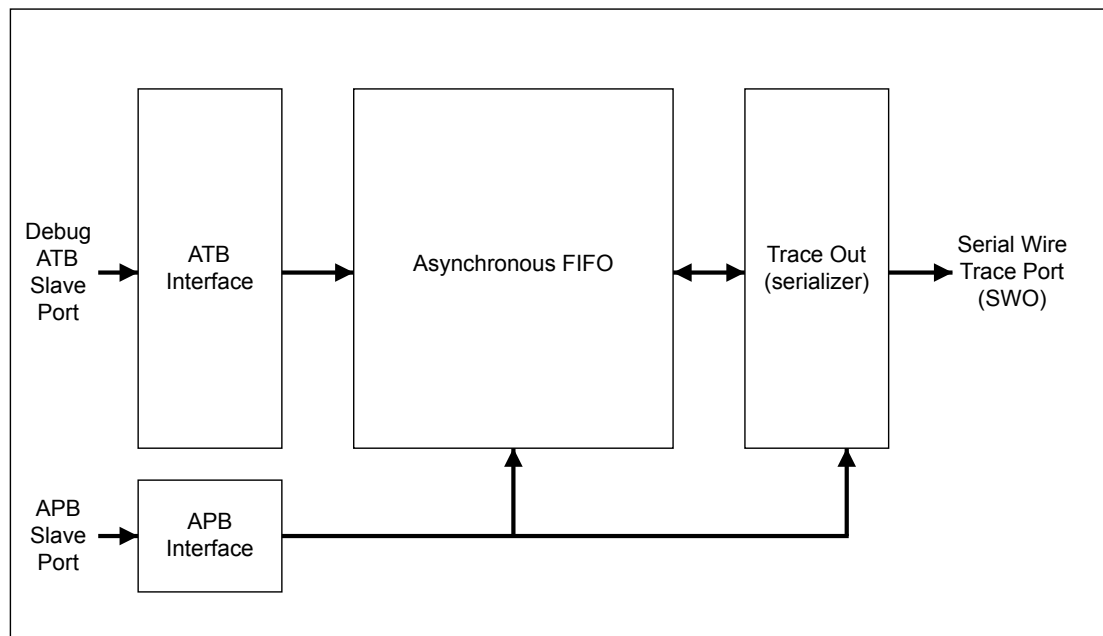
The Flash Patch and Breakpoint Unit (FPB) provides up to eight hardware breakpoint comparators that debuggers can use. The comparators in the FPB also provide remap functions of up to eight words in the program code in the CODE memory region. This enables applications stored in a read-only area of Flash memory to be patched in another area of on-chip SRAM or Flash memory. If a patch is required, the application programs the FPB to remap a number of addresses. When those addresses are accessed, the accesses are redirected to a remap table specified in the FPB configuration.

For more information on the Cortex-M3 debug capabilities, see the *ARM® Debug Interface V5 Architecture Specification*.

### 2.2.3 Trace Port Interface Unit (TPIU)

The TPIU acts as a bridge between the Cortex-M3 trace data from the ITM, and an off-chip Trace Port Analyzer, as shown in Figure 2-2 on page 43.

**Figure 2-2. TPIU Block Diagram**



### 2.2.4 Cortex-M3 System Component Details

The Cortex-M3 includes the following system components:

- **SysTick**  
A 24-bit count-down timer that can be used as a Real-Time Operating System (RTOS) tick timer or as a simple counter (see “System Timer (SysTick)” on page 82).
- **Nested Vectored Interrupt Controller (NVIC)**  
An embedded interrupt controller that supports low latency interrupt processing (see “Nested Vectored Interrupt Controller (NVIC)” on page 83).
- **System Control Block (SCB)**

The programming model interface to the processor. The SCB provides system implementation information and system control, including configuration, control, and reporting of system exceptions (see “System Control Block (SCB)” on page 85).

- Memory Protection Unit (MPU)

Improves system reliability by defining the memory attributes for different memory regions. The MPU provides up to eight different regions and an optional predefined background region (see “Memory Protection Unit (MPU)” on page 85).

## 2.3 Programming Model

This section describes the Cortex-M3 programming model. In addition to the individual core register descriptions, information about the processor modes and privilege levels for software execution and stacks is included.

### 2.3.1 Processor Mode and Privilege Levels for Software Execution

The Cortex-M3 has two modes of operation:

- Thread mode

Used to execute application software. The processor enters Thread mode when it comes out of reset.

- Handler mode

Used to handle exceptions. When the processor has finished exception processing, it returns to Thread mode.

In addition, the Cortex-M3 has two privilege levels:

- Unprivileged

In this mode, software has the following restrictions:

- Limited access to the `MSR` and `MRS` instructions and no use of the `CPS` instruction
- No access to the system timer, NVIC, or system control block
- Possibly restricted access to memory or peripherals

- Privileged

In this mode, software can use all the instructions and has access to all resources.

In Thread mode, the **CONTROL** register (see page 58) controls whether software execution is privileged or unprivileged. In Handler mode, software execution is always privileged.

Only privileged software can write to the **CONTROL** register to change the privilege level for software execution in Thread mode. Unprivileged software can use the `SVC` instruction to make a supervisor call to transfer control to privileged software.

### 2.3.2 Stacks

The processor uses a full descending stack, meaning that the stack pointer indicates the last stacked item on the memory. When the processor pushes a new item onto the stack, it decrements the stack pointer and then writes the item to the new memory location. The processor implements two stacks:

the main stack and the process stack, with a pointer for each held in independent registers (see the **SP** register on page 48).

In Thread mode, the **CONTROL** register (see page 58) controls whether the processor uses the main stack or the process stack. In Handler mode, the processor always uses the main stack. The options for processor operations are shown in Table 2-1 on page 45.

**Table 2-1. Summary of Processor Mode, Privilege Level, and Stack Use**

| Processor Mode | Use                | Privilege Level                         | Stack Used                               |
|----------------|--------------------|---|--|
| Thread         | Applications       | Privileged or unprivileged <sup>a</sup> | Main stack or process stack <sup>a</sup> |
| Handler        | Exception handlers | Always privileged                       | Main stack                               |

a. See **CONTROL** (page 58).

### 2.3.3 Register Map

Figure 2-3 on page 45 shows the Cortex-M3 register set. Table 2-2 on page 46 lists the Core registers. The core registers are not memory mapped and are accessed by register name, so the base address is n/a (not applicable) and there is no offset.

**Figure 2-3. Cortex-M3 Register Set**

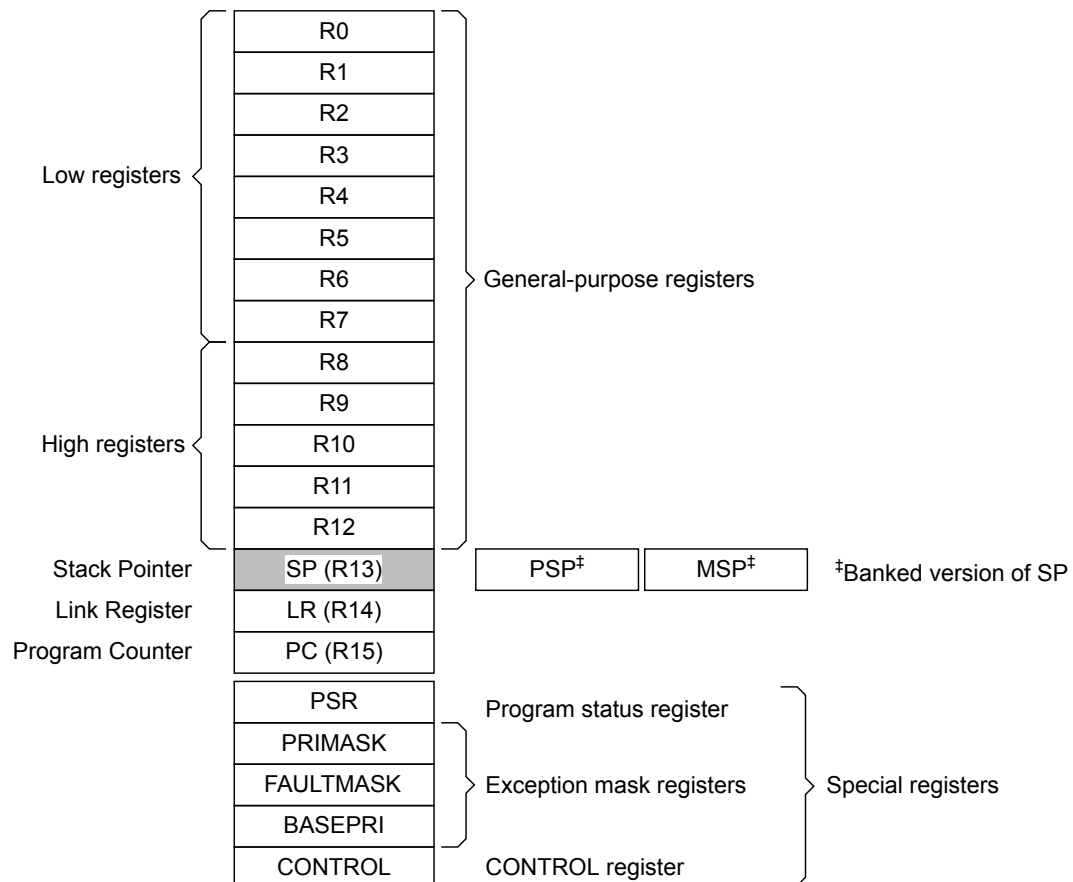


Table 2-2. Processor Register Map

| Offset | Name      | Type | Reset       | Description                        | See page |
|--------|-----------|------|-------------|------------------------------------|----------|
| -      | R0        | R/W  | -           | Cortex General-Purpose Register 0  | 47       |
| -      | R1        | R/W  | -           | Cortex General-Purpose Register 1  | 47       |
| -      | R2        | R/W  | -           | Cortex General-Purpose Register 2  | 47       |
| -      | R3        | R/W  | -           | Cortex General-Purpose Register 3  | 47       |
| -      | R4        | R/W  | -           | Cortex General-Purpose Register 4  | 47       |
| -      | R5        | R/W  | -           | Cortex General-Purpose Register 5  | 47       |
| -      | R6        | R/W  | -           | Cortex General-Purpose Register 6  | 47       |
| -      | R7        | R/W  | -           | Cortex General-Purpose Register 7  | 47       |
| -      | R8        | R/W  | -           | Cortex General-Purpose Register 8  | 47       |
| -      | R9        | R/W  | -           | Cortex General-Purpose Register 9  | 47       |
| -      | R10       | R/W  | -           | Cortex General-Purpose Register 10 | 47       |
| -      | R11       | R/W  | -           | Cortex General-Purpose Register 11 | 47       |
| -      | R12       | R/W  | -           | Cortex General-Purpose Register 12 | 47       |
| -      | SP        | R/W  | -           | Stack Pointer                      | 48       |
| -      | LR        | R/W  | 0xFFFF.FFFF | Link Register                      | 49       |
| -      | PC        | R/W  | -           | Program Counter                    | 50       |
| -      | PSR       | R/W  | 0x0100.0000 | Program Status Register            | 51       |
| -      | PRIMASK   | R/W  | 0x0000.0000 | Priority Mask Register             | 55       |
| -      | FAULTMASK | R/W  | 0x0000.0000 | Fault Mask Register                | 56       |
| -      | BASEPRI   | R/W  | 0x0000.0000 | Base Priority Mask Register        | 57       |
| -      | CONTROL   | R/W  | 0x0000.0000 | Control Register                   | 58       |

### 2.3.4 Register Descriptions

This section lists and describes the Cortex-M3 registers, in the order shown in Figure 2-3 on page 45. The core registers are not memory mapped and are accessed by register name rather than offset.

**Note:** The register type shown in the register descriptions refers to type during program execution in Thread mode and Handler mode. Debug access can differ.

**Register 1: Cortex General-Purpose Register 0 (R0)**

**Register 2: Cortex General-Purpose Register 1 (R1)**

**Register 3: Cortex General-Purpose Register 2 (R2)**

**Register 4: Cortex General-Purpose Register 3 (R3)**

**Register 5: Cortex General-Purpose Register 4 (R4)**

**Register 6: Cortex General-Purpose Register 5 (R5)**

**Register 7: Cortex General-Purpose Register 6 (R6)**

**Register 8: Cortex General-Purpose Register 7 (R7)**

**Register 9: Cortex General-Purpose Register 8 (R8)**

**Register 10: Cortex General-Purpose Register 9 (R9)**

**Register 11: Cortex General-Purpose Register 10 (R10)**

**Register 12: Cortex General-Purpose Register 11 (R11)**

**Register 13: Cortex General-Purpose Register 12 (R12)**

The **Rn** registers are 32-bit general-purpose registers for data operations and can be accessed from either privileged or unprivileged mode.

#### Cortex General-Purpose Register 0 (R0)

Type R/W, reset -

|       |      |     |     |     |     |     |     |     |     |     |     |     |     |     |     |     |
|-------|------|-----|-----|-----|-----|-----|-----|-----|-----|-----|-----|-----|-----|-----|-----|-----|
|       | 31   | 30  | 29  | 28  | 27  | 26  | 25  | 24  | 23  | 22  | 21  | 20  | 19  | 18  | 17  | 16  |
|       | DATA |     |     |     |     |     |     |     |     |     |     |     |     |     |     |     |
| Type  | R/W  | R/W | R/W | R/W | R/W | R/W | R/W | R/W | R/W | R/W | R/W | R/W | R/W | R/W | R/W | R/W |
| Reset | -    | -   | -   | -   | -   | -   | -   | -   | -   | -   | -   | -   | -   | -   | -   | -   |
|       | 15   | 14  | 13  | 12  | 11  | 10  | 9   | 8   | 7   | 6   | 5   | 4   | 3   | 2   | 1   | 0   |
|       | DATA |     |     |     |     |     |     |     |     |     |     |     |     |     |     |     |
| Type  | R/W  | R/W | R/W | R/W | R/W | R/W | R/W | R/W | R/W | R/W | R/W | R/W | R/W | R/W | R/W | R/W |
| Reset | -    | -   | -   | -   | -   | -   | -   | -   | -   | -   | -   | -   | -   | -   | -   | -   |

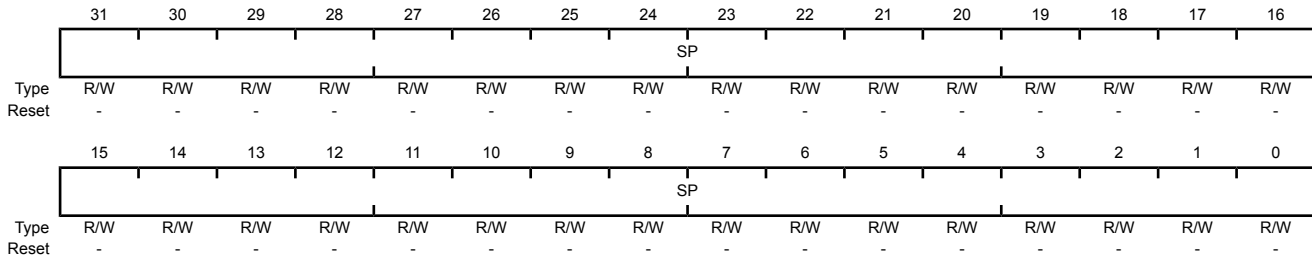
| Bit/Field | Name | Type | Reset | Description    |
|-----------|------|------|-------|----------------|
| 31:0      | DATA | R/W  | -     | Register data. |

### Register 14: Stack Pointer (SP)

The **Stack Pointer (SP)** is register R13. In Thread mode, the function of this register changes depending on the `ASP` bit in the **Control Register (CONTROL)** register. When the `ASP` bit is clear, this register is the **Main Stack Pointer (MSP)**. When the `ASP` bit is set, this register is the **Process Stack Pointer (PSP)**. On reset, the `ASP` bit is clear, and the processor loads the **MSP** with the value from address `0x0000.0000`. The **MSP** can only be accessed in privileged mode; the **PSP** can be accessed in either privileged or unprivileged mode.

#### Stack Pointer (SP)

Type R/W, reset -



| Bit/Field | Name | Type | Reset | Description                                     |
|-----------|------|------|-------|---|
| 31:0      | SP   | R/W  | -     | This field is the address of the stack pointer. |

## Register 15: Link Register (LR)

The **Link Register (LR)** is register R14, and it stores the return information for subroutines, function calls, and exceptions. **LR** can be accessed from either privileged or unprivileged mode.

`EXC_RETURN` is loaded into **LR** on exception entry. See Table 2-10 on page 74 for the values and description.

### Link Register (LR)

Type R/W, reset 0xFFFF.FFFF

|       |      |     |     |     |     |     |     |     |     |     |     |     |     |     |     |     |
|-------|------|-----|-----|-----|-----|-----|-----|-----|-----|-----|-----|-----|-----|-----|-----|-----|
|       | 31   | 30  | 29  | 28  | 27  | 26  | 25  | 24  | 23  | 22  | 21  | 20  | 19  | 18  | 17  | 16  |
|       | LINK |     |     |     |     |     |     |     |     |     |     |     |     |     |     |     |
| Type  | R/W  | R/W | R/W | R/W | R/W | R/W | R/W | R/W | R/W | R/W | R/W | R/W | R/W | R/W | R/W | R/W |
| Reset | 1    | 1   | 1   | 1   | 1   | 1   | 1   | 1   | 1   | 1   | 1   | 1   | 1   | 1   | 1   | 1   |
|       | 15   | 14  | 13  | 12  | 11  | 10  | 9   | 8   | 7   | 6   | 5   | 4   | 3   | 2   | 1   | 0   |
|       | LINK |     |     |     |     |     |     |     |     |     |     |     |     |     |     |     |
| Type  | R/W  | R/W | R/W | R/W | R/W | R/W | R/W | R/W | R/W | R/W | R/W | R/W | R/W | R/W | R/W | R/W |
| Reset | 1    | 1   | 1   | 1   | 1   | 1   | 1   | 1   | 1   | 1   | 1   | 1   | 1   | 1   | 1   | 1   |

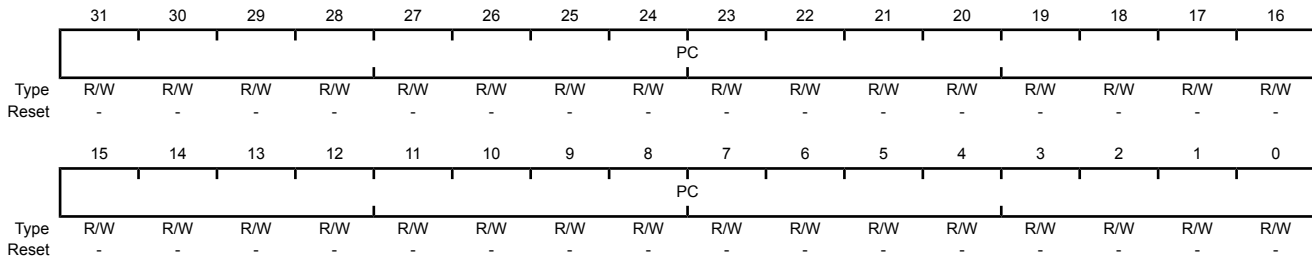
| Bit/Field | Name | Type | Reset       | Description                       |
|-----------|------|------|-------------|-----------------------------------|
| 31:0      | LINK | R/W  | 0xFFFF.FFFF | This field is the return address. |

### Register 16: Program Counter (PC)

The **Program Counter (PC)** is register R15, and it contains the current program address. On reset, the processor loads the **PC** with the value of the reset vector, which is at address 0x0000.0004. Bit 0 of the reset vector is loaded into the **THUMB** bit of the **EPSR** at reset and must be 1. The **PC** register can be accessed in either privileged or unprivileged mode.

#### Program Counter (PC)

Type R/W, reset -



| Bit/Field | Name | Type | Reset | Description                                |
|-----------|------|------|-------|--|
| 31:0      | PC   | R/W  | -     | This field is the current program address. |

## Register 17: Program Status Register (PSR)

**Note:** This register is also referred to as **xPSR**.

The **Program Status Register (PSR)** has three functions, and the register bits are assigned to the different functions:

- **Application Program Status Register (APSR)**, bits 31:27,
- **Execution Program Status Register (EPSR)**, bits 26:24, 15:10
- **Interrupt Program Status Register (IPSR)**, bits 5:0

The **PSR**, **IPSR**, and **EPSR** registers can only be accessed in privileged mode; the **APSR** register can be accessed in either privileged or unprivileged mode.

**APSR** contains the current state of the condition flags from previous instruction executions.

**EPSR** contains the Thumb state bit and the execution state bits for the If-Then (**IT**) instruction or the Interruptible-Continuable Instruction (**ICI**) field for an interrupted load multiple or store multiple instruction. Attempts to read the **EPSR** directly through application software using the **MSR** instruction always return zero. Attempts to write the **EPSR** using the **MSR** instruction in application software are always ignored. Fault handlers can examine the **EPSR** value in the stacked **PSR** to determine the operation that faulted (see “Exception Entry and Return” on page 72).

**IPSR** contains the exception type number of the current Interrupt Service Routine (**ISR**).

These registers can be accessed individually or as a combination of any two or all three registers, using the register name as an argument to the **MSR** or **MRS** instructions. For example, all of the registers can be read using **PSR** with the **MRS** instruction, or **APSR** only can be written to using **APSR** with the **MSR** instruction. page 51 shows the possible register combinations for the **PSR**. See the **MRS** and **MSR** instruction descriptions in the *Cortex™-M3/M4 Instruction Set Technical User's Manual* for more information about how to access the program status registers.

**Table 2-3. PSR Register Combinations**

| Register     | Type                | Combination                                 |
|--------------|---------------------|---|
| <b>PSR</b>   | R/W <sup>a, b</sup> | <b>APSR</b> , <b>EPSR</b> , and <b>IPSR</b> |
| <b>IEPSR</b> | RO                  | <b>EPSR</b> and <b>IPSR</b>                 |
| <b>IAPSR</b> | R/W <sup>a</sup>    | <b>APSR</b> and <b>IPSR</b>                 |
| <b>EAPSR</b> | R/W <sup>b</sup>    | <b>APSR</b> and <b>EPSR</b>                 |

a. The processor ignores writes to the **IPSR** bits.

b. Reads of the **EPSR** bits return zero, and the processor ignores writes to these bits.

### Program Status Register (PSR)

Type R/W, reset 0x0100.0000

|       |          |     |     |     |     |          |    |       |          |    |        |    |    |    |    |    |    |
|-------|----------|-----|-----|-----|-----|----------|----|-------|----------|----|--------|----|----|----|----|----|----|
|       | 31       | 30  | 29  | 28  | 27  | 26       | 25 | 24    | 23       | 22 | 21     | 20 | 19 | 18 | 17 | 16 |    |
|       | N        | Z   | C   | V   | Q   | ICI / IT |    | THUMB | reserved |    |        |    |    |    |    |    |    |
| Type  | R/W      | R/W | R/W | R/W | R/W | RO       | RO | RO    | RO       | RO | RO     | RO | RO | RO | RO | RO | RO |
| Reset | 0        | 0   | 0   | 0   | 0   | 0        | 0  | 1     | 0        | 0  | 0      | 0  | 0  | 0  | 0  | 0  | 0  |
|       | 15       | 14  | 13  | 12  | 11  | 10       | 9  | 8     | 7        | 6  | 5      | 4  | 3  | 2  | 1  | 0  |    |
|       | ICI / IT |     |     |     |     | reserved |    |       |          |    | ISRNUM |    |    |    |    |    |    |
| Type  | RO       | RO  | RO  | RO  | RO  | RO       | RO | RO    | RO       | RO | RO     | RO | RO | RO | RO | RO | RO |
| Reset | 0        | 0   | 0   | 0   | 0   | 0        | 0  | 0     | 0        | 0  | 0      | 0  | 0  | 0  | 0  | 0  | 0  |

| Bit/Field | Name | Type | Reset | Description  |
|-----------|------|------|-------|--|
| 31        | N    | R/W  | 0     | <p><b>APSR Negative or Less Flag</b></p> <p>Value Description</p> <p>1 The previous operation result was negative or less than.</p> <p>0 The previous operation result was positive, zero, greater than, or equal.</p> <p>The value of this bit is only meaningful when accessing <b>PSR</b> or <b>APSR</b>.</p>   |
| 30        | Z    | R/W  | 0     | <p><b>APSR Zero Flag</b></p> <p>Value Description</p> <p>1 The previous operation result was zero.</p> <p>0 The previous operation result was non-zero.</p> <p>The value of this bit is only meaningful when accessing <b>PSR</b> or <b>APSR</b>.</p>  |
| 29        | C    | R/W  | 0     | <p><b>APSR Carry or Borrow Flag</b></p> <p>Value Description</p> <p>1 The previous add operation resulted in a carry bit or the previous subtract operation did not result in a borrow bit.</p> <p>0 The previous add operation did not result in a carry bit or the previous subtract operation resulted in a borrow bit.</p> <p>The value of this bit is only meaningful when accessing <b>PSR</b> or <b>APSR</b>.</p> |
| 28        | V    | R/W  | 0     | <p><b>APSR Overflow Flag</b></p> <p>Value Description</p> <p>1 The previous operation resulted in an overflow.</p> <p>0 The previous operation did not result in an overflow.</p> <p>The value of this bit is only meaningful when accessing <b>PSR</b> or <b>APSR</b>.</p>  |
| 27        | Q    | R/W  | 0     | <p><b>APSR DSP Overflow and Saturation Flag</b></p> <p>Value Description</p> <p>1 DSP Overflow or saturation has occurred.</p> <p>0 DSP overflow or saturation has not occurred since reset or since the bit was last cleared.</p> <p>The value of this bit is only meaningful when accessing <b>PSR</b> or <b>APSR</b>. This bit is cleared by software using an <b>MRS</b> instruction.</p>                            |

| Bit/Field | Name     | Type | Reset | Description   |
|-----------|----------|------|-------|---|
| 26:25     | ICI / IT | RO   | 0x0   | <p><b>EPSR ICI / IT status</b></p> <p>These bits, along with bits 15:10, contain the Interruptible-Continuable Instruction (ICI) field for an interrupted load multiple or store multiple instruction or the execution state bits of the IT instruction.</p> <p>When <b>EPSR</b> holds the ICI execution state, bits 26:25 are zero.</p> <p>The If-Then block contains up to four instructions following an IT instruction. Each instruction in the block is conditional. The conditions for the instructions are either all the same, or some can be the inverse of others. See the <i>Cortex™-M3/M4 Instruction Set Technical User's Manual</i> for more information.</p> <p>The value of this field is only meaningful when accessing <b>PSR</b> or <b>EPSR</b>.</p>   |
| 24        | THUMB    | RO   | 1     | <p><b>EPSR Thumb State</b></p> <p>This bit indicates the Thumb state and should always be set.</p> <p>The following can clear the THUMB bit:</p> <ul style="list-style-type: none"> <li>■ The BLX, BX and POP{PC} instructions</li> <li>■ Restoration from the stacked xPSR value on an exception return</li> <li>■ Bit 0 of the vector value on an exception entry or reset</li> </ul> <p>Attempting to execute instructions when this bit is clear results in a fault or lockup. See "Lockup" on page 76 for more information.</p> <p>The value of this bit is only meaningful when accessing <b>PSR</b> or <b>EPSR</b>.</p>  |
| 23:16     | reserved | RO   | 0x00  | <p>Software should not rely on the value of a reserved bit. To provide compatibility with future products, the value of a reserved bit should be preserved across a read-modify-write operation.</p>  |
| 15:10     | ICI / IT | RO   | 0x0   | <p><b>EPSR ICI / IT status</b></p> <p>These bits, along with bits 26:25, contain the Interruptible-Continuable Instruction (ICI) field for an interrupted load multiple or store multiple instruction or the execution state bits of the IT instruction.</p> <p>When an interrupt occurs during the execution of an LDM, STM, PUSH or POP instruction, the processor stops the load multiple or store multiple instruction operation temporarily and stores the next register operand in the multiple operation to bits 15:12. After servicing the interrupt, the processor returns to the register pointed to by bits 15:12 and resumes execution of the multiple load or store instruction. When <b>EPSR</b> holds the ICI execution state, bits 11:10 are zero.</p> <p>The If-Then block contains up to four instructions following a 16-bit IT instruction. Each instruction in the block is conditional. The conditions for the instructions are either all the same, or some can be the inverse of others. See the <i>Cortex™-M3/M4 Instruction Set Technical User's Manual</i> for more information.</p> <p>The value of this field is only meaningful when accessing <b>PSR</b> or <b>EPSR</b>.</p> |
| 9:6       | reserved | RO   | 0x0   | <p>Software should not rely on the value of a reserved bit. To provide compatibility with future products, the value of a reserved bit should be preserved across a read-modify-write operation.</p>  |

| Bit/Field | Name                    | Type | Reset | Description  |       |             |      |             |      |          |      |     |      |            |      |                         |      |           |      |             |           |          |      |        |      |                    |      |          |      |        |      |         |      |                    |      |                    |     |     |      |                     |           |          |
|-----------|-------------------------|------|-------|--|-------|-------------|------|-------------|------|----------|------|-----|------|------------|------|-------------------------|------|-----------|------|-------------|-----------|----------|------|--------|------|--------------------|------|----------|------|--------|------|---------|------|--------------------|------|--------------------|-----|-----|------|---------------------|-----------|----------|
| 5:0       | ISRNUM                  | RO   | 0x00  | <p><b>IPSR</b> ISR Number</p> <p>This field contains the exception type number of the current Interrupt Service Routine (ISR).</p> <table border="1"> <thead> <tr> <th>Value</th> <th>Description</th> </tr> </thead> <tbody> <tr><td>0x00</td><td>Thread mode</td></tr> <tr><td>0x01</td><td>Reserved</td></tr> <tr><td>0x02</td><td>NMI</td></tr> <tr><td>0x03</td><td>Hard fault</td></tr> <tr><td>0x04</td><td>Memory management fault</td></tr> <tr><td>0x05</td><td>Bus fault</td></tr> <tr><td>0x06</td><td>Usage fault</td></tr> <tr><td>0x07-0x0A</td><td>Reserved</td></tr> <tr><td>0x0B</td><td>SVCall</td></tr> <tr><td>0x0C</td><td>Reserved for Debug</td></tr> <tr><td>0x0D</td><td>Reserved</td></tr> <tr><td>0x0E</td><td>PendSV</td></tr> <tr><td>0x0F</td><td>SysTick</td></tr> <tr><td>0x10</td><td>Interrupt Vector 0</td></tr> <tr><td>0x11</td><td>Interrupt Vector 1</td></tr> <tr><td>...</td><td>...</td></tr> <tr><td>0x2D</td><td>Interrupt Vector 29</td></tr> <tr><td>0x2E-0x3F</td><td>Reserved</td></tr> </tbody> </table> | Value | Description | 0x00 | Thread mode | 0x01 | Reserved | 0x02 | NMI | 0x03 | Hard fault | 0x04 | Memory management fault | 0x05 | Bus fault | 0x06 | Usage fault | 0x07-0x0A | Reserved | 0x0B | SVCall | 0x0C | Reserved for Debug | 0x0D | Reserved | 0x0E | PendSV | 0x0F | SysTick | 0x10 | Interrupt Vector 0 | 0x11 | Interrupt Vector 1 | ... | ... | 0x2D | Interrupt Vector 29 | 0x2E-0x3F | Reserved |
| Value     | Description             |      |       |  |       |             |      |             |      |          |      |     |      |            |      |                         |      |           |      |             |           |          |      |        |      |                    |      |          |      |        |      |         |      |                    |      |                    |     |     |      |                     |           |          |
| 0x00      | Thread mode             |      |       |  |       |             |      |             |      |          |      |     |      |            |      |                         |      |           |      |             |           |          |      |        |      |                    |      |          |      |        |      |         |      |                    |      |                    |     |     |      |                     |           |          |
| 0x01      | Reserved                |      |       |  |       |             |      |             |      |          |      |     |      |            |      |                         |      |           |      |             |           |          |      |        |      |                    |      |          |      |        |      |         |      |                    |      |                    |     |     |      |                     |           |          |
| 0x02      | NMI                     |      |       |  |       |             |      |             |      |          |      |     |      |            |      |                         |      |           |      |             |           |          |      |        |      |                    |      |          |      |        |      |         |      |                    |      |                    |     |     |      |                     |           |          |
| 0x03      | Hard fault              |      |       |  |       |             |      |             |      |          |      |     |      |            |      |                         |      |           |      |             |           |          |      |        |      |                    |      |          |      |        |      |         |      |                    |      |                    |     |     |      |                     |           |          |
| 0x04      | Memory management fault |      |       |  |       |             |      |             |      |          |      |     |      |            |      |                         |      |           |      |             |           |          |      |        |      |                    |      |          |      |        |      |         |      |                    |      |                    |     |     |      |                     |           |          |
| 0x05      | Bus fault               |      |       |  |       |             |      |             |      |          |      |     |      |            |      |                         |      |           |      |             |           |          |      |        |      |                    |      |          |      |        |      |         |      |                    |      |                    |     |     |      |                     |           |          |
| 0x06      | Usage fault             |      |       |  |       |             |      |             |      |          |      |     |      |            |      |                         |      |           |      |             |           |          |      |        |      |                    |      |          |      |        |      |         |      |                    |      |                    |     |     |      |                     |           |          |
| 0x07-0x0A | Reserved                |      |       |  |       |             |      |             |      |          |      |     |      |            |      |                         |      |           |      |             |           |          |      |        |      |                    |      |          |      |        |      |         |      |                    |      |                    |     |     |      |                     |           |          |
| 0x0B      | SVCall                  |      |       |  |       |             |      |             |      |          |      |     |      |            |      |                         |      |           |      |             |           |          |      |        |      |                    |      |          |      |        |      |         |      |                    |      |                    |     |     |      |                     |           |          |
| 0x0C      | Reserved for Debug      |      |       |  |       |             |      |             |      |          |      |     |      |            |      |                         |      |           |      |             |           |          |      |        |      |                    |      |          |      |        |      |         |      |                    |      |                    |     |     |      |                     |           |          |
| 0x0D      | Reserved                |      |       |  |       |             |      |             |      |          |      |     |      |            |      |                         |      |           |      |             |           |          |      |        |      |                    |      |          |      |        |      |         |      |                    |      |                    |     |     |      |                     |           |          |
| 0x0E      | PendSV                  |      |       |  |       |             |      |             |      |          |      |     |      |            |      |                         |      |           |      |             |           |          |      |        |      |                    |      |          |      |        |      |         |      |                    |      |                    |     |     |      |                     |           |          |
| 0x0F      | SysTick                 |      |       |  |       |             |      |             |      |          |      |     |      |            |      |                         |      |           |      |             |           |          |      |        |      |                    |      |          |      |        |      |         |      |                    |      |                    |     |     |      |                     |           |          |
| 0x10      | Interrupt Vector 0      |      |       |  |       |             |      |             |      |          |      |     |      |            |      |                         |      |           |      |             |           |          |      |        |      |                    |      |          |      |        |      |         |      |                    |      |                    |     |     |      |                     |           |          |
| 0x11      | Interrupt Vector 1      |      |       |  |       |             |      |             |      |          |      |     |      |            |      |                         |      |           |      |             |           |          |      |        |      |                    |      |          |      |        |      |         |      |                    |      |                    |     |     |      |                     |           |          |
| ...       | ...                     |      |       |  |       |             |      |             |      |          |      |     |      |            |      |                         |      |           |      |             |           |          |      |        |      |                    |      |          |      |        |      |         |      |                    |      |                    |     |     |      |                     |           |          |
| 0x2D      | Interrupt Vector 29     |      |       |  |       |             |      |             |      |          |      |     |      |            |      |                         |      |           |      |             |           |          |      |        |      |                    |      |          |      |        |      |         |      |                    |      |                    |     |     |      |                     |           |          |
| 0x2E-0x3F | Reserved                |      |       |  |       |             |      |             |      |          |      |     |      |            |      |                         |      |           |      |             |           |          |      |        |      |                    |      |          |      |        |      |         |      |                    |      |                    |     |     |      |                     |           |          |

See “Exception Types” on page 68 for more information.

The value of this field is only meaningful when accessing **PSR** or **IPSR**.

## Register 18: Priority Mask Register (PRIMASK)

The **PRIMASK** register prevents activation of all exceptions with programmable priority. Reset, non-maskable interrupt (NMI), and hard fault are the only exceptions with fixed priority. Exceptions should be disabled when they might impact the timing of critical tasks. This register is only accessible in privileged mode. The **MSR** and **MRS** instructions are used to access the **PRIMASK** register, and the **CPS** instruction may be used to change the value of the **PRIMASK** register. See the *Cortex™-M3/M4 Instruction Set Technical User's Manual* for more information on these instructions. For more information on exception priority levels, see “Exception Types” on page 68.

### Priority Mask Register (PRIMASK)

Type R/W, reset 0x0000.0000

|       |          |    |    |    |    |    |    |    |    |    |    |    |    |    |    |         |
|-------|----------|----|----|----|----|----|----|----|----|----|----|----|----|----|----|---------|
|       | 31       | 30 | 29 | 28 | 27 | 26 | 25 | 24 | 23 | 22 | 21 | 20 | 19 | 18 | 17 | 16      |
|       | reserved |    |    |    |    |    |    |    |    |    |    |    |    |    |    |         |
| Type  | RO       | RO | RO | RO | RO | RO | RO | RO | RO | RO | RO | RO | RO | RO | RO | RO      |
| Reset | 0        | 0  | 0  | 0  | 0  | 0  | 0  | 0  | 0  | 0  | 0  | 0  | 0  | 0  | 0  | 0       |
|       | 15       | 14 | 13 | 12 | 11 | 10 | 9  | 8  | 7  | 6  | 5  | 4  | 3  | 2  | 1  | 0       |
|       | reserved |    |    |    |    |    |    |    |    |    |    |    |    |    |    | PRIMASK |
| Type  | RO       | RO | RO | RO | RO | RO | RO | RO | RO | RO | RO | RO | RO | RO | RO | R/W     |
| Reset | 0        | 0  | 0  | 0  | 0  | 0  | 0  | 0  | 0  | 0  | 0  | 0  | 0  | 0  | 0  | 0       |

| Bit/Field | Name     | Type | Reset      | Description   |
|-----------|----------|------|------------|---|
| 31:1      | reserved | RO   | 0x0000.000 | Software should not rely on the value of a reserved bit. To provide compatibility with future products, the value of a reserved bit should be preserved across a read-modify-write operation. |
| 0         | PRIMASK  | R/W  | 0          | Priority Mask   |
|           |          |      |            | Value Description   |
|           |          |      |            | 1 Prevents the activation of all exceptions with configurable priority.   |
|           |          |      |            | 0 No effect.  |

### Register 19: Fault Mask Register (FAULTMASK)

The **FAULTMASK** register prevents activation of all exceptions except for the Non-Maskable Interrupt (NMI). Exceptions should be disabled when they might impact the timing of critical tasks. This register is only accessible in privileged mode. The **MSR** and **MRS** instructions are used to access the **FAULTMASK** register, and the **CPS** instruction may be used to change the value of the **FAULTMASK** register. See the *Cortex™-M3/M4 Instruction Set Technical User's Manual* for more information on these instructions. For more information on exception priority levels, see “Exception Types” on page 68.

#### Fault Mask Register (FAULTMASK)

Type R/W, reset 0x0000.0000

|       |          |    |    |    |    |    |    |    |    |    |    |    |    |    |    |           |
|-------|----------|----|----|----|----|----|----|----|----|----|----|----|----|----|----|-----------|
|       | 31       | 30 | 29 | 28 | 27 | 26 | 25 | 24 | 23 | 22 | 21 | 20 | 19 | 18 | 17 | 16        |
|       | reserved |    |    |    |    |    |    |    |    |    |    |    |    |    |    |           |
| Type  | RO       | RO | RO | RO | RO | RO | RO | RO | RO | RO | RO | RO | RO | RO | RO | RO        |
| Reset | 0        | 0  | 0  | 0  | 0  | 0  | 0  | 0  | 0  | 0  | 0  | 0  | 0  | 0  | 0  | 0         |
|       | 15       | 14 | 13 | 12 | 11 | 10 | 9  | 8  | 7  | 6  | 5  | 4  | 3  | 2  | 1  | 0         |
|       | reserved |    |    |    |    |    |    |    |    |    |    |    |    |    |    | FAULTMASK |
| Type  | RO       | RO | RO | RO | RO | RO | RO | RO | RO | RO | RO | RO | RO | RO | RO | R/W       |
| Reset | 0        | 0  | 0  | 0  | 0  | 0  | 0  | 0  | 0  | 0  | 0  | 0  | 0  | 0  | 0  | 0         |

| Bit/Field | Name      | Type | Reset      | Description   |
|-----------|-----------|------|------------|---|
| 31:1      | reserved  | RO   | 0x0000.000 | Software should not rely on the value of a reserved bit. To provide compatibility with future products, the value of a reserved bit should be preserved across a read-modify-write operation. |
| 0         | FAULTMASK | R/W  | 0          | Fault Mask  |

| Value | Description   |
|-------|---|
| 1     | Prevents the activation of all exceptions except for NMI. |
| 0     | No effect.  |

The processor clears the **FAULTMASK** bit on exit from any exception handler except the NMI handler.

## Register 20: Base Priority Mask Register (BASEPRI)

The **BASEPRI** register defines the minimum priority for exception processing. When **BASEPRI** is set to a nonzero value, it prevents the activation of all exceptions with the same or lower priority level as the **BASEPRI** value. Exceptions should be disabled when they might impact the timing of critical tasks. This register is only accessible in privileged mode. For more information on exception priority levels, see “Exception Types” on page 68.

### Base Priority Mask Register (BASEPRI)

Type R/W, reset 0x0000.0000

|       |          |    |    |    |    |    |    |    |         |     |     |          |    |    |    |    |
|-------|----------|----|----|----|----|----|----|----|---------|-----|-----|----------|----|----|----|----|
|       | 31       | 30 | 29 | 28 | 27 | 26 | 25 | 24 | 23      | 22  | 21  | 20       | 19 | 18 | 17 | 16 |
|       | reserved |    |    |    |    |    |    |    |         |     |     |          |    |    |    |    |
| Type  | RO       | RO | RO | RO | RO | RO | RO | RO | RO      | RO  | RO  | RO       | RO | RO | RO | RO |
| Reset | 0        | 0  | 0  | 0  | 0  | 0  | 0  | 0  | 0       | 0   | 0   | 0        | 0  | 0  | 0  | 0  |
|       | 15       | 14 | 13 | 12 | 11 | 10 | 9  | 8  | 7       | 6   | 5   | 4        | 3  | 2  | 1  | 0  |
|       | reserved |    |    |    |    |    |    |    | BASEPRI |     |     | reserved |    |    |    |    |
| Type  | RO       | RO | RO | RO | RO | RO | RO | RO | R/W     | R/W | R/W | RO       | RO | RO | RO | RO |
| Reset | 0        | 0  | 0  | 0  | 0  | 0  | 0  | 0  | 0       | 0   | 0   | 0        | 0  | 0  | 0  | 0  |

| Bit/Field | Name   | Type | Reset     | Description  |       |             |     |                              |     |  |     |  |     |  |     |  |     |  |     |  |     |  |
|-----------|--|------|-----------|--|-------|-------------|-----|------------------------------|-----|--|-----|--|-----|--|-----|--|-----|--|-----|--|-----|--|
| 31:8      | reserved   | RO   | 0x0000.00 | Software should not rely on the value of a reserved bit. To provide compatibility with future products, the value of a reserved bit should be preserved across a read-modify-write operation.  |       |             |     |                              |     |  |     |  |     |  |     |  |     |  |     |  |     |  |
| 7:5       | BASEPRI  | R/W  | 0x0       | <p>Base Priority</p> <p>Any exception that has a programmable priority level with the same or lower priority as the value of this field is masked. The <b>PRIMASK</b> register can be used to mask all exceptions with programmable priority levels. Higher priority exceptions have lower priority levels.</p> <table border="1"> <thead> <tr> <th>Value</th> <th>Description</th> </tr> </thead> <tbody> <tr> <td>0x0</td> <td>All exceptions are unmasked.</td> </tr> <tr> <td>0x1</td> <td>All exceptions with priority level 1-7 are masked.</td> </tr> <tr> <td>0x2</td> <td>All exceptions with priority level 2-7 are masked.</td> </tr> <tr> <td>0x3</td> <td>All exceptions with priority level 3-7 are masked.</td> </tr> <tr> <td>0x4</td> <td>All exceptions with priority level 4-7 are masked.</td> </tr> <tr> <td>0x5</td> <td>All exceptions with priority level 5-7 are masked.</td> </tr> <tr> <td>0x6</td> <td>All exceptions with priority level 6-7 are masked.</td> </tr> <tr> <td>0x7</td> <td>All exceptions with priority level 7 are masked.</td> </tr> </tbody> </table> | Value | Description | 0x0 | All exceptions are unmasked. | 0x1 | All exceptions with priority level 1-7 are masked. | 0x2 | All exceptions with priority level 2-7 are masked. | 0x3 | All exceptions with priority level 3-7 are masked. | 0x4 | All exceptions with priority level 4-7 are masked. | 0x5 | All exceptions with priority level 5-7 are masked. | 0x6 | All exceptions with priority level 6-7 are masked. | 0x7 | All exceptions with priority level 7 are masked. |
| Value     | Description  |      |           |  |       |             |     |                              |     |  |     |  |     |  |     |  |     |  |     |  |     |  |
| 0x0       | All exceptions are unmasked.                       |      |           |  |       |             |     |                              |     |  |     |  |     |  |     |  |     |  |     |  |     |  |
| 0x1       | All exceptions with priority level 1-7 are masked. |      |           |  |       |             |     |                              |     |  |     |  |     |  |     |  |     |  |     |  |     |  |
| 0x2       | All exceptions with priority level 2-7 are masked. |      |           |  |       |             |     |                              |     |  |     |  |     |  |     |  |     |  |     |  |     |  |
| 0x3       | All exceptions with priority level 3-7 are masked. |      |           |  |       |             |     |                              |     |  |     |  |     |  |     |  |     |  |     |  |     |  |
| 0x4       | All exceptions with priority level 4-7 are masked. |      |           |  |       |             |     |                              |     |  |     |  |     |  |     |  |     |  |     |  |     |  |
| 0x5       | All exceptions with priority level 5-7 are masked. |      |           |  |       |             |     |                              |     |  |     |  |     |  |     |  |     |  |     |  |     |  |
| 0x6       | All exceptions with priority level 6-7 are masked. |      |           |  |       |             |     |                              |     |  |     |  |     |  |     |  |     |  |     |  |     |  |
| 0x7       | All exceptions with priority level 7 are masked.   |      |           |  |       |             |     |                              |     |  |     |  |     |  |     |  |     |  |     |  |     |  |
| 4:0       | reserved   | RO   | 0x0       | Software should not rely on the value of a reserved bit. To provide compatibility with future products, the value of a reserved bit should be preserved across a read-modify-write operation.  |       |             |     |                              |     |  |     |  |     |  |     |  |     |  |     |  |     |  |

### Register 21: Control Register (CONTROL)

The **CONTROL** register controls the stack used and the privilege level for software execution when the processor is in Thread mode. This register is only accessible in privileged mode.

Handler mode always uses **MSP**, so the processor ignores explicit writes to the **ASP** bit of the **CONTROL** register when in Handler mode. The exception entry and return mechanisms automatically update the **CONTROL** register based on the **EXC\_RETURN** value (see Table 2-10 on page 74). In an OS environment, threads running in Thread mode should use the process stack and the kernel and exception handlers should use the main stack. By default, Thread mode uses **MSP**. To switch the stack pointer used in Thread mode to **PSP**, either use the **MSR** instruction to set the **ASP** bit, as detailed in the *Cortex™-M3/M4 Instruction Set Technical User's Manual*, or perform an exception return to Thread mode with the appropriate **EXC\_RETURN** value, as shown in Table 2-10 on page 74.

**Note:** When changing the stack pointer, software must use an **ISB** instruction immediately after the **MSR** instruction, ensuring that instructions after the **ISB** execute use the new stack pointer. See the *Cortex™-M3/M4 Instruction Set Technical User's Manual*.

#### Control Register (CONTROL)

Type R/W, reset 0x0000.0000

|       |          |    |    |    |    |    |    |    |    |    |    |    |    |    |     |     |      |
|-------|----------|----|----|----|----|----|----|----|----|----|----|----|----|----|-----|-----|------|
|       | 31       | 30 | 29 | 28 | 27 | 26 | 25 | 24 | 23 | 22 | 21 | 20 | 19 | 18 | 17  | 16  |      |
|       | reserved |    |    |    |    |    |    |    |    |    |    |    |    |    |     |     |      |
| Type  | RO       | RO | RO | RO | RO | RO | RO | RO | RO | RO | RO | RO | RO | RO | RO  | RO  |      |
| Reset | 0        | 0  | 0  | 0  | 0  | 0  | 0  | 0  | 0  | 0  | 0  | 0  | 0  | 0  | 0   | 0   |      |
|       | 15       | 14 | 13 | 12 | 11 | 10 | 9  | 8  | 7  | 6  | 5  | 4  | 3  | 2  | 1   | 0   |      |
|       | reserved |    |    |    |    |    |    |    |    |    |    |    |    |    |     | ASP | TMPL |
| Type  | RO       | RO | RO | RO | RO | RO | RO | RO | RO | RO | RO | RO | RO | RO | R/W | R/W |      |
| Reset | 0        | 0  | 0  | 0  | 0  | 0  | 0  | 0  | 0  | 0  | 0  | 0  | 0  | 0  | 0   | 0   |      |

| Bit/Field | Name     | Type | Reset      | Description   |
|-----------|----------|------|------------|---|
| 31:2      | reserved | RO   | 0x0000.000 | Software should not rely on the value of a reserved bit. To provide compatibility with future products, the value of a reserved bit should be preserved across a read-modify-write operation.   |
| 1         | ASP      | R/W  | 0          | Active Stack Pointer<br><br>Value Description<br>1 <b>PSP</b> is the current stack pointer.<br>0 <b>MSP</b> is the current stack pointer<br><br>In Handler mode, this bit reads as zero and ignores writes. The Cortex-M3 updates this bit automatically on exception return. |
| 0         | TMPL     | R/W  | 0          | Thread Mode Privilege Level<br><br>Value Description<br>1 Unprivileged software can be executed in Thread mode.<br>0 Only privileged software can be executed in Thread mode.   |

### 2.3.5 Exceptions and Interrupts

The Cortex-M3 processor supports interrupts and system exceptions. The processor and the Nested Vectored Interrupt Controller (NVIC) prioritize and handle all exceptions. An exception changes the normal flow of software control. The processor uses Handler mode to handle all exceptions except for reset. See “Exception Entry and Return” on page 72 for more information.

The NVIC registers control interrupt handling. See “Nested Vectored Interrupt Controller (NVIC)” on page 83 for more information.

### 2.3.6 Data Types

The Cortex-M3 supports 32-bit words, 16-bit halfwords, and 8-bit bytes. The processor also supports 64-bit data transfer instructions. All instruction and data memory accesses are little endian. See “Memory Regions, Types and Attributes” on page 60 for more information.

## 2.4 Memory Model

This section describes the processor memory map, the behavior of memory accesses, and the bit-banding features. The processor has a fixed memory map that provides up to 4 GB of addressable memory.

The memory map for the LM3S310 controller is provided in Table 2-4 on page 59. In this manual, register addresses are given as a hexadecimal increment, relative to the module’s base address as shown in the memory map.

The regions for SRAM and peripherals include bit-band regions. Bit-banding provides atomic operations to bit data (see “Bit-Banding” on page 63).

The processor reserves regions of the Private peripheral bus (PPB) address range for core peripheral registers (see “Cortex-M3 Peripherals” on page 82).

**Note:** Within the memory map, all reserved space returns a bus fault when read or written.

**Table 2-4. Memory Map**

| Start                   | End         | Description   | For details, see page ... |
|-------------------------|-------------|---|---------------------------|
| <b>Memory</b>           |             |   |                           |
| 0x0000.0000             | 0x0000.3FFF | On-chip Flash   | 208                       |
| 0x0000.4000             | 0x1FFF.FFFF | Reserved  | -                         |
| 0x2000.0000             | 0x2000.0FFF | Bit-banded on-chip SRAM   | 207                       |
| 0x2000.1000             | 0x21FF.FFFF | Reserved  | -                         |
| 0x2200.0000             | 0x2201.FFFF | Bit-band alias of bit-banded on-chip SRAM starting at 0x2000.0000 | 207                       |
| 0x2202.0000             | 0x3FFF.FFFF | Reserved  | -                         |
| <b>FIRM Peripherals</b> |             |   |                           |
| 0x4000.0000             | 0x4000.0FFF | Watchdog timer 0  | 306                       |
| 0x4000.1000             | 0x4000.3FFF | Reserved  | -                         |
| 0x4000.4000             | 0x4000.4FFF | GPIO Port A   | 235                       |
| 0x4000.5000             | 0x4000.5FFF | GPIO Port B   | 235                       |
| 0x4000.6000             | 0x4000.6FFF | GPIO Port C   | 235                       |
| 0x4000.7000             | 0x4000.7FFF | GPIO Port D   | 235                       |
| 0x4000.8000             | 0x4000.8FFF | SSI0  | 379                       |

Table 2-4. Memory Map (continued)

| Start                         | End         | Description   | For details, see page ... |
|-------------------------------|-------------|---|---------------------------|
| 0x4000.9000                   | 0x4000.BFFF | Reserved  | -                         |
| 0x4000.C000                   | 0x4000.CFFF | UART0   | 334                       |
| 0x4000.D000                   | 0x4000.DFFF | UART1   | 334                       |
| 0x4000.E000                   | 0x4001.FFFF | Reserved  | -                         |
| <b>Peripherals</b>            |             |   |                           |
| 0x4002.0000                   | 0x4002.3FFF | Reserved  | -                         |
| 0x4002.4000                   | 0x4002.4FFF | GPIO Port E   | 235                       |
| 0x4002.5000                   | 0x4002.7FFF | Reserved  | -                         |
| 0x4002.8000                   | 0x4002.8FFF | PWM   | 428                       |
| 0x4002.9000                   | 0x4002.FFFF | Reserved  | -                         |
| 0x4003.0000                   | 0x4003.0FFF | Timer 0   | 278                       |
| 0x4003.1000                   | 0x4003.1FFF | Timer 1   | 278                       |
| 0x4003.2000                   | 0x4003.2FFF | Timer 2   | 278                       |
| 0x4003.3000                   | 0x4003.BFFF | Reserved  | -                         |
| 0x4003.C000                   | 0x4003.CFFF | Analog Comparators                                  | 405                       |
| 0x4003.D000                   | 0x400F.CFFF | Reserved  | -                         |
| 0x400F.D000                   | 0x400F.DFFF | Flash memory control                                | 212                       |
| 0x400F.E000                   | 0x400F.EFFF | System control                                      | 162                       |
| 0x400F.F000                   | 0x41FF.FFFF | Reserved  | -                         |
| 0x4200.0000                   | 0x43FF.FFFF | Bit-banded alias of 0x4000.0000 through 0x400F.FFFF | -                         |
| 0x4400.0000                   | 0xDFFF.FFFF | Reserved  | -                         |
| <b>Private Peripheral Bus</b> |             |   |                           |
| 0xE000.0000                   | 0xE000.0FFF | Instrumentation Trace Macrocell (ITM)               | 42                        |
| 0xE000.1000                   | 0xE000.1FFF | Data Watchpoint and Trace (DWT)                     | 42                        |
| 0xE000.2000                   | 0xE000.2FFF | Flash Patch and Breakpoint (FPB)                    | 42                        |
| 0xE000.3000                   | 0xE000.DFFF | Reserved  | -                         |
| 0xE000.E000                   | 0xE000.EFFF | Cortex-M3 Peripherals (SysTick, NVIC, MPU and SCB)  | 90                        |
| 0xE000.F000                   | 0xE003.FFFF | Reserved  | -                         |
| 0xE004.0000                   | 0xE004.0FFF | Trace Port Interface Unit (TPIU)                    | 43                        |
| 0xE004.1000                   | 0xFFFF.FFFF | Reserved  | -                         |

### 2.4.1 Memory Regions, Types and Attributes

The memory map and the programming of the MPU split the memory map into regions. Each region has a defined memory type, and some regions have additional memory attributes. The memory type and attributes determine the behavior of accesses to the region.

The memory types are:

- Normal: The processor can re-order transactions for efficiency and perform speculative reads.
- Device: The processor preserves transaction order relative to other transactions to Device or Strongly Ordered memory.
- Strongly Ordered: The processor preserves transaction order relative to all other transactions.

The different ordering requirements for Device and Strongly Ordered memory mean that the memory system can buffer a write to Device memory but must not buffer a write to Strongly Ordered memory.

An additional memory attribute is Execute Never (XN), which means the processor prevents instruction accesses. A fault exception is generated only on execution of an instruction executed from an XN region.

## 2.4.2 Memory System Ordering of Memory Accesses

For most memory accesses caused by explicit memory access instructions, the memory system does not guarantee that the order in which the accesses complete matches the program order of the instructions, providing the order does not affect the behavior of the instruction sequence. Normally, if correct program execution depends on two memory accesses completing in program order, software must insert a memory barrier instruction between the memory access instructions (see “Software Ordering of Memory Accesses” on page 62).

However, the memory system does guarantee ordering of accesses to Device and Strongly Ordered memory. For two memory access instructions A1 and A2, if both A1 and A2 are accesses to either Device or Strongly Ordered memory, and if A1 occurs before A2 in program order, A1 is always observed before A2.

## 2.4.3 Behavior of Memory Accesses

Table 2-5 on page 61 shows the behavior of accesses to each region in the memory map. See “Memory Regions, Types and Attributes” on page 60 for more information on memory types and the XN attribute. Stellaris devices may have reserved memory areas within the address ranges shown below (refer to Table 2-4 on page 59 for more information).

**Table 2-5. Memory Access Behavior**

| Address Range             | Memory Region          | Memory Type      | Execute Never (XN) | Description  |
|---------------------------|------------------------|------------------|--------------------|--|
| 0x0000.0000 - 0x1FFF.FFFF | Code                   | Normal           | -                  | This executable region is for program code. Data can also be stored here.  |
| 0x2000.0000 - 0x3FFF.FFFF | SRAM                   | Normal           | -                  | This executable region is for data. Code can also be stored here. This region includes bit band and bit band alias areas (see Table 2-6 on page 63). |
| 0x4000.0000 - 0x5FFF.FFFF | Peripheral             | Device           | XN                 | This region includes bit band and bit band alias areas (see Table 2-7 on page 63).   |
| 0x6000.0000 - 0x9FFF.FFFF | External RAM           | Normal           | -                  | This executable region is for data.  |
| 0xA000.0000 - 0xDFFF.FFFF | External device        | Device           | XN                 | This region is for external device memory.   |
| 0xE000.0000 - 0xE00F.FFFF | Private peripheral bus | Strongly Ordered | XN                 | This region includes the NVIC, system timer, and system control block.   |
| 0xE010.0000 - 0xFFFF.FFFF | Reserved               | -                | -                  | -  |

The Code, SRAM, and external RAM regions can hold programs. However, it is recommended that programs always use the Code region because the Cortex-M3 has separate buses that can perform instruction fetches and data accesses simultaneously.

The MPU can override the default memory access behavior described in this section. For more information, see “Memory Protection Unit (MPU)” on page 85.

The Cortex-M3 prefetches instructions ahead of execution and speculatively prefetches from branch target addresses.

## 2.4.4 Software Ordering of Memory Accesses

The order of instructions in the program flow does not always guarantee the order of the corresponding memory transactions for the following reasons:

- The processor can reorder some memory accesses to improve efficiency, providing this does not affect the behavior of the instruction sequence.
- The processor has multiple bus interfaces.
- Memory or devices in the memory map have different wait states.
- Some memory accesses are buffered or speculative.

“Memory System Ordering of Memory Accesses” on page 61 describes the cases where the memory system guarantees the order of memory accesses. Otherwise, if the order of memory accesses is critical, software must include memory barrier instructions to force that ordering. The Cortex-M3 has the following memory barrier instructions:

- The Data Memory Barrier (DMB) instruction ensures that outstanding memory transactions complete before subsequent memory transactions.
- The Data Synchronization Barrier (DSB) instruction ensures that outstanding memory transactions complete before subsequent instructions execute.
- The Instruction Synchronization Barrier (ISB) instruction ensures that the effect of all completed memory transactions is recognizable by subsequent instructions.

Memory barrier instructions can be used in the following situations:

- MPU programming
  - If the MPU settings are changed and the change must be effective on the very next instruction, use a DSB instruction to ensure the effect of the MPU takes place immediately at the end of context switching.
  - Use an ISB instruction to ensure the new MPU setting takes effect immediately after programming the MPU region or regions, if the MPU configuration code was accessed using a branch or call. If the MPU configuration code is entered using exception mechanisms, then an ISB instruction is not required.
- Vector table

If the program changes an entry in the vector table and then enables the corresponding exception, use a DMB instruction between the operations. The DMB instruction ensures that if the exception is taken immediately after being enabled, the processor uses the new exception vector.
- Self-modifying code

If a program contains self-modifying code, use an ISB instruction immediately after the code modification in the program. The ISB instruction ensures subsequent instruction execution uses the updated program.
- Memory map switching

If the system contains a memory map switching mechanism, use a `DSB` instruction after switching the memory map in the program. The `DSB` instruction ensures subsequent instruction execution uses the updated memory map.

- Dynamic exception priority change

When an exception priority has to change when the exception is pending or active, use `DSB` instructions after the change. The change then takes effect on completion of the `DSB` instruction.

Memory accesses to Strongly Ordered memory, such as the System Control Block, do not require the use of `DMB` instructions.

For more information on the memory barrier instructions, see the *Cortex™-M3/M4 Instruction Set Technical User's Manual*.

## 2.4.5 Bit-Banding

A bit-band region maps each word in a bit-band alias region to a single bit in the bit-band region. The bit-band regions occupy the lowest 1 MB of the SRAM and peripheral memory regions. Accesses to the 32-MB SRAM alias region map to the 1-MB SRAM bit-band region, as shown in Table 2-6 on page 63. Accesses to the 32-MB peripheral alias region map to the 1-MB peripheral bit-band region, as shown in Table 2-7 on page 63. For the specific address range of the bit-band regions, see Table 2-4 on page 59.

**Note:** A word access to the SRAM or the peripheral bit-band alias region maps to a single bit in the SRAM or peripheral bit-band region.

A word access to a bit band address results in a word access to the underlying memory, and similarly for halfword and byte accesses. This allows bit band accesses to match the access requirements of the underlying peripheral.

**Table 2-6. SRAM Memory Bit-Banding Regions**

| Address Range             | Memory Region        | Instruction and Data Accesses   |
|---------------------------|----------------------|---|
| 0x2000.0000 - 0x200F.FFFF | SRAM bit-band region | Direct accesses to this memory range behave as SRAM memory accesses, but this region is also bit addressable through bit-band alias.                      |
| 0x2200.0000 - 0x23FF.FFFF | SRAM bit-band alias  | Data accesses to this region are remapped to bit band region. A write operation is performed as read-modify-write. Instruction accesses are not remapped. |

**Table 2-7. Peripheral Memory Bit-Banding Regions**

| Address Range             | Memory Region              | Instruction and Data Accesses  |
|---------------------------|----------------------------|--|
| 0x4000.0000 - 0x400F.FFFF | Peripheral bit-band region | Direct accesses to this memory range behave as peripheral memory accesses, but this region is also bit addressable through bit-band alias.                 |
| 0x4200.0000 - 0x43FF.FFFF | Peripheral bit-band alias  | Data accesses to this region are remapped to bit band region. A write operation is performed as read-modify-write. Instruction accesses are not permitted. |

The following formula shows how the alias region maps onto the bit-band region:

$$\text{bit\_word\_offset} = (\text{byte\_offset} \times 32) + (\text{bit\_number} \times 4)$$

$$\text{bit\_word\_addr} = \text{bit\_band\_base} + \text{bit\_word\_offset}$$

where:

bit\_word\_offset

The position of the target bit in the bit-band memory region.

bit\_word\_addr

The address of the word in the alias memory region that maps to the targeted bit.

bit\_band\_base

The starting address of the alias region.

byte\_offset

The number of the byte in the bit-band region that contains the targeted bit.

bit\_number

The bit position, 0-7, of the targeted bit.

Figure 2-4 on page 65 shows examples of bit-band mapping between the SRAM bit-band alias region and the SRAM bit-band region:

- The alias word at 0x23FF.FFE0 maps to bit 0 of the bit-band byte at 0x200F.FFFF:

$$0x23FF.FFE0 = 0x2200.0000 + (0x000F.FFFF*32) + (0*4)$$

- The alias word at 0x23FF.FFFC maps to bit 7 of the bit-band byte at 0x200F.FFFF:

$$0x23FF.FFFC = 0x2200.0000 + (0x000F.FFFF*32) + (7*4)$$

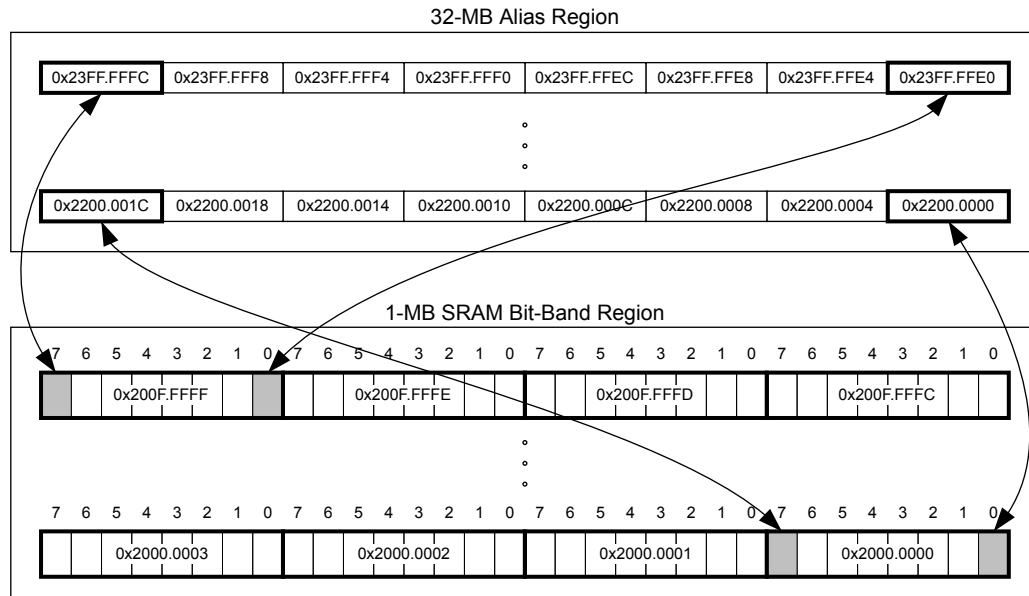
- The alias word at 0x2200.0000 maps to bit 0 of the bit-band byte at 0x2000.0000:

$$0x2200.0000 = 0x2200.0000 + (0*32) + (0*4)$$

- The alias word at 0x2200.001C maps to bit 7 of the bit-band byte at 0x2000.0000:

$$0x2200.001C = 0x2200.0000 + (0*32) + (7*4)$$

Figure 2-4. Bit-Band Mapping



#### 2.4.5.1 Directly Accessing an Alias Region

Writing to a word in the alias region updates a single bit in the bit-band region.

Bit 0 of the value written to a word in the alias region determines the value written to the targeted bit in the bit-band region. Writing a value with bit 0 set writes a 1 to the bit-band bit, and writing a value with bit 0 clear writes a 0 to the bit-band bit.

Bits 31:1 of the alias word have no effect on the bit-band bit. Writing 0x01 has the same effect as writing 0xFF. Writing 0x00 has the same effect as writing 0x0E.

When reading a word in the alias region, 0x0000.0000 indicates that the targeted bit in the bit-band region is clear and 0x0000.0001 indicates that the targeted bit in the bit-band region is set.

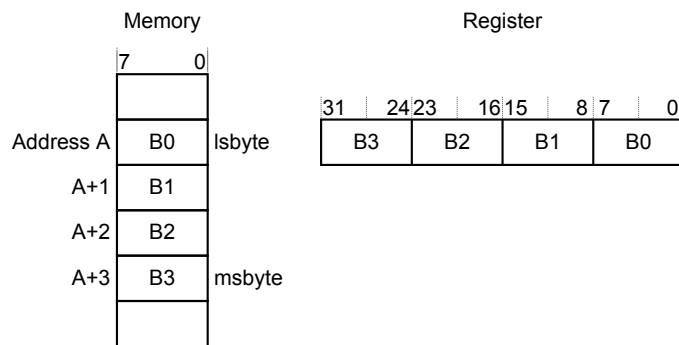
#### 2.4.5.2 Directly Accessing a Bit-Band Region

“Behavior of Memory Accesses” on page 61 describes the behavior of direct byte, halfword, or word accesses to the bit-band regions.

#### 2.4.6 Data Storage

The processor views memory as a linear collection of bytes numbered in ascending order from zero. For example, bytes 0-3 hold the first stored word, and bytes 4-7 hold the second stored word. Data is stored in little-endian format, with the least-significant byte (lsbyte) of a word stored at the lowest-numbered byte, and the most-significant byte (msbyte) stored at the highest-numbered byte. Figure 2-5 on page 66 illustrates how data is stored.

Figure 2-5. Data Storage



### 2.4.7 Synchronization Primitives

The Cortex-M3 instruction set includes pairs of synchronization primitives which provide a non-blocking mechanism that a thread or process can use to obtain exclusive access to a memory location. Software can use these primitives to perform a guaranteed read-modify-write memory update sequence or for a semaphore mechanism.

A pair of synchronization primitives consists of:

- A Load-Exclusive instruction, which is used to read the value of a memory location and requests exclusive access to that location.
- A Store-Exclusive instruction, which is used to attempt to write to the same memory location and returns a status bit to a register. If this status bit is clear, it indicates that the thread or process gained exclusive access to the memory and the write succeeds; if this status bit is set, it indicates that the thread or process did not gain exclusive access to the memory and no write was performed.

The pairs of Load-Exclusive and Store-Exclusive instructions are:

- The word instructions `LDREX` and `STREX`
- The halfword instructions `LDREXH` and `STREXH`
- The byte instructions `LDREXB` and `STREXB`

Software must use a Load-Exclusive instruction with the corresponding Store-Exclusive instruction.

To perform an exclusive read-modify-write of a memory location, software must:

1. Use a Load-Exclusive instruction to read the value of the location.
2. Modify the value, as required.
3. Use a Store-Exclusive instruction to attempt to write the new value back to the memory location.
4. Test the returned status bit.

If the status bit is clear, the read-modify-write completed successfully. If the status bit is set, no write was performed, which indicates that the value returned at step 1 might be out of date. The software must retry the entire read-modify-write sequence.

Software can use the synchronization primitives to implement a semaphore as follows:

1. Use a Load-Exclusive instruction to read from the semaphore address to check whether the semaphore is free.
2. If the semaphore is free, use a Store-Exclusive to write the claim value to the semaphore address.
3. If the returned status bit from step 2 indicates that the Store-Exclusive succeeded, then the software has claimed the semaphore. However, if the Store-Exclusive failed, another process might have claimed the semaphore after the software performed step 1.

The Cortex-M3 includes an exclusive access monitor that tags the fact that the processor has executed a Load-Exclusive instruction. The processor removes its exclusive access tag if:

- It executes a CLREX instruction.
- It executes a Store-Exclusive instruction, regardless of whether the write succeeds.
- An exception occurs, which means the processor can resolve semaphore conflicts between different threads.

For more information about the synchronization primitive instructions, see the *Cortex™-M3/M4 Instruction Set Technical User's Manual*.

## 2.5 Exception Model

The ARM Cortex-M3 processor and the Nested Vectored Interrupt Controller (NVIC) prioritize and handle all exceptions in Handler Mode. The processor state is automatically stored to the stack on an exception and automatically restored from the stack at the end of the Interrupt Service Routine (ISR). The vector is fetched in parallel to the state saving, enabling efficient interrupt entry. The processor supports tail-chaining, which enables back-to-back interrupts to be performed without the overhead of state saving and restoration.

Table 2-8 on page 69 lists all exception types. Software can set eight priority levels on seven of these exceptions (system handlers) as well as on 23 interrupts (listed in Table 2-9 on page 70).

Priorities on the system handlers are set with the NVIC **System Handler Priority n (SYSPRIn)** registers. Interrupts are enabled through the NVIC **Interrupt Set Enable n (ENn)** register and prioritized with the NVIC **Interrupt Priority n (PRIn)** registers. Priorities can be grouped by splitting priority levels into preemption priorities and subpriorities. All the interrupt registers are described in “Nested Vectored Interrupt Controller (NVIC)” on page 83.

Internally, the highest user-programmable priority (0) is treated as fourth priority, after a Reset, Non-Maskable Interrupt (NMI), and a Hard Fault, in that order. Note that 0 is the default priority for all the programmable priorities.

---

**Important:** After a write to clear an interrupt source, it may take several processor cycles for the NVIC to see the interrupt source de-assert. Thus if the interrupt clear is done as the last action in an interrupt handler, it is possible for the interrupt handler to complete while the NVIC sees the interrupt as still asserted, causing the interrupt handler to be re-entered errantly. This situation can be avoided by either clearing the interrupt source at the beginning of the interrupt handler or by performing a read or write after the write to clear the interrupt source (and flush the write buffer).

---

See “Nested Vectored Interrupt Controller (NVIC)” on page 83 for more information on exceptions and interrupts.

## 2.5.1 Exception States

Each exception is in one of the following states:

- **Inactive.** The exception is not active and not pending.
- **Pending.** The exception is waiting to be serviced by the processor. An interrupt request from a peripheral or from software can change the state of the corresponding interrupt to pending.
- **Active.** An exception that is being serviced by the processor but has not completed.  
**Note:** An exception handler can interrupt the execution of another exception handler. In this case, both exceptions are in the active state.
- **Active and Pending.** The exception is being serviced by the processor, and there is a pending exception from the same source.

## 2.5.2 Exception Types

The exception types are:

- **Reset.** Reset is invoked on power up or a warm reset. The exception model treats reset as a special form of exception. When reset is asserted, the operation of the processor stops, potentially at any point in an instruction. When reset is deasserted, execution restarts from the address provided by the reset entry in the vector table. Execution restarts as privileged execution in Thread mode.
- **NMI.** A non-maskable Interrupt (NMI) can be signaled using the NMI signal or triggered by software using the **Interrupt Control and State (INTCTRL)** register. This exception has the highest priority other than reset. NMI is permanently enabled and has a fixed priority of -2. NMIs cannot be masked or prevented from activation by any other exception or preempted by any exception other than reset.
- **Hard Fault.** A hard fault is an exception that occurs because of an error during exception processing, or because an exception cannot be managed by any other exception mechanism. Hard faults have a fixed priority of -1, meaning they have higher priority than any exception with configurable priority.
- **Memory Management Fault.** A memory management fault is an exception that occurs because of a memory protection related fault, including access violation and no match. The MPU or the fixed memory protection constraints determine this fault, for both instruction and data memory transactions. This fault is used to abort instruction accesses to Execute Never (XN) memory regions, even if the MPU is disabled.
- **Bus Fault.** A bus fault is an exception that occurs because of a memory-related fault for an instruction or data memory transaction such as a prefetch fault or a memory access fault. This fault can be enabled or disabled.
- **Usage Fault.** A usage fault is an exception that occurs because of a fault related to instruction execution, such as:
  - An undefined instruction
  - An illegal unaligned access
  - Invalid state on instruction execution

- An error on exception return

An unaligned address on a word or halfword memory access or division by zero can cause a usage fault when the core is properly configured.

- **SVC**Call. A supervisor call (SVC) is an exception that is triggered by the SVC instruction. In an OS environment, applications can use SVC instructions to access OS kernel functions and device drivers.
- **Debug Monitor**. This exception is caused by the debug monitor (when not halting). This exception is only active when enabled. This exception does not activate if it is a lower priority than the current activation.
- **PendSV**. PendSV is a pendable, interrupt-driven request for system-level service. In an OS environment, use PendSV for context switching when no other exception is active. PendSV is triggered using the **Interrupt Control and State (INTCTRL)** register.
- **SysTick**. A SysTick exception is an exception that the system timer generates when it reaches zero when it is enabled to generate an interrupt. Software can also generate a SysTick exception using the **Interrupt Control and State (INTCTRL)** register. In an OS environment, the processor can use this exception as system tick.
- **Interrupt (IRQ)**. An interrupt, or IRQ, is an exception signaled by a peripheral or generated by a software request and fed through the NVIC (prioritized). All interrupts are asynchronous to instruction execution. In the system, peripherals use interrupts to communicate with the processor. Table 2-9 on page 70 lists the interrupts on the LM3S310 controller.

For an asynchronous exception, other than reset, the processor can execute another instruction between when the exception is triggered and when the processor enters the exception handler.

Privileged software can disable the exceptions that Table 2-8 on page 69 shows as having configurable priority (see the **SYSHNDCTRL** register on page 118 and the **DIS0** register on page 97).

For more information about hard faults, memory management faults, bus faults, and usage faults, see “Fault Handling” on page 74.

**Table 2-8. Exception Types**

| Exception Type               | Vector Number | Priority <sup>a</sup>     | Vector Address or Offset <sup>b</sup> | Activation   |
|------------------------------|---------------|---------------------------|---------------------------------------|--|
| -                            | 0             | -                         | 0x0000.0000                           | Stack top is loaded from the first entry of the vector table on reset. |
| Reset                        | 1             | -3 (highest)              | 0x0000.0004                           | Asynchronous   |
| Non-Maskable Interrupt (NMI) | 2             | -2                        | 0x0000.0008                           | Asynchronous   |
| Hard Fault                   | 3             | -1                        | 0x0000.000C                           | -  |
| Memory Management            | 4             | programmable <sup>c</sup> | 0x0000.0010                           | Synchronous  |
| Bus Fault                    | 5             | programmable <sup>c</sup> | 0x0000.0014                           | Synchronous when precise and asynchronous when imprecise               |
| Usage Fault                  | 6             | programmable <sup>c</sup> | 0x0000.0018                           | Synchronous  |
| -                            | 7-10          | -                         | -                                     | Reserved   |
| SVCCall                      | 11            | programmable <sup>c</sup> | 0x0000.002C                           | Synchronous  |
| Debug Monitor                | 12            | programmable <sup>c</sup> | 0x0000.0030                           | Synchronous  |
| -                            | 13            | -                         | -                                     | Reserved   |

**Table 2-8. Exception Types (continued)**

| Exception Type | Vector Number | Priority <sup>a</sup>     | Vector Address or Offset <sup>b</sup> | Activation   |
|----------------|---------------|---------------------------|---------------------------------------|--------------|
| PendSV         | 14            | programmable <sup>c</sup> | 0x0000.0038                           | Asynchronous |
| SysTick        | 15            | programmable <sup>c</sup> | 0x0000.003C                           | Asynchronous |
| Interrupts     | 16 and above  | programmable <sup>d</sup> | 0x0000.0040 and above                 | Asynchronous |

a. 0 is the default priority for all the programmable priorities.

b. See "Vector Table" on page 71.

c. See **SYSPRI1** on page 115.

d. See **PRIn** registers on page 101.

**Table 2-9. Interrupts**

| Vector Number | Interrupt Number (Bit in Interrupt Registers) | Vector Address or Offset  | Description          |
|---------------|---|---------------------------|----------------------|
| 0-15          | -   | 0x0000.0000 - 0x0000.003C | Processor exceptions |
| 16            | 0   | 0x0000.0040               | GPIO Port A          |
| 17            | 1   | 0x0000.0044               | GPIO Port B          |
| 18            | 2   | 0x0000.0048               | GPIO Port C          |
| 19            | 3   | 0x0000.004C               | GPIO Port D          |
| 20            | 4   | 0x0000.0050               | GPIO Port E          |
| 21            | 5   | 0x0000.0054               | UART0                |
| 22            | 6   | 0x0000.0058               | UART1                |
| 23            | 7   | 0x0000.005C               | SSI0                 |
| 24-25         | 8-9   | -                         | Reserved             |
| 26            | 10  | 0x0000.0068               | PWM Generator 0      |
| 27            | 11  | 0x0000.006C               | PWM Generator 1      |
| 28            | 12  | 0x0000.0070               | PWM Generator 2      |
| 29-33         | 13-17   | -                         | Reserved             |
| 34            | 18  | 0x0000.0088               | Watchdog Timer 0     |
| 35            | 19  | 0x0000.008C               | Timer 0A             |
| 36            | 20  | 0x0000.0090               | Timer 0B             |
| 37            | 21  | 0x0000.0094               | Timer 1A             |
| 38            | 22  | 0x0000.0098               | Timer 1B             |
| 39            | 23  | 0x0000.009C               | Timer 2A             |
| 40            | 24  | 0x0000.00A0               | Timer 2B             |
| 41            | 25  | 0x0000.00A4               | Analog Comparator 0  |
| 42            | 26  | 0x0000.00A8               | Analog Comparator 1  |
| 43            | 27  | 0x0000.00AC               | Analog Comparator 2  |
| 44            | 28  | 0x0000.00B0               | System Control       |
| 45            | 29  | 0x0000.00B4               | Flash Memory Control |

### 2.5.3 Exception Handlers

The processor handles exceptions using:

- **Interrupt Service Routines (ISRs).** Interrupts (IRQx) are the exceptions handled by ISRs.

- **Fault Handlers.** Hard fault, memory management fault, usage fault, and bus fault are fault exceptions handled by the fault handlers.
- **System Handlers.** NMI, PendSV, SVCcall, SysTick, and the fault exceptions are all system exceptions that are handled by system handlers.

## 2.5.4 Vector Table

The vector table contains the reset value of the stack pointer and the start addresses, also called exception vectors, for all exception handlers. The vector table is constructed using the vector address or offset shown in Table 2-8 on page 69. Figure 2-6 on page 71 shows the order of the exception vectors in the vector table. The least-significant bit of each vector must be 1, indicating that the exception handler is Thumb code

**Figure 2-6. Vector Table**

| Exception number | IRQ number | Offset | Vector                  |
|------------------|------------|--------|-------------------------|
| 45               | 29         | 0x00B4 | IRQ29                   |
| .                | .          | .      | .                       |
| .                | .          | .      | .                       |
| .                | .          | .      | .                       |
| 18               | 2          | 0x004C | IRQ2                    |
| 17               | 1          | 0x0048 | IRQ1                    |
| 16               | 0          | 0x0044 | IRQ0                    |
| 15               | -1         | 0x0040 | Systick                 |
| 14               | -2         | 0x003C | PendSV                  |
| 13               |            | 0x0038 | Reserved                |
| 12               |            |        | Reserved for Debug      |
| 11               | -5         | 0x002C | SVCcall                 |
| 10               |            |        | Reserved                |
| 9                |            |        |                         |
| 8                |            |        |                         |
| 7                |            |        |                         |
| 6                | -10        |        | Usage fault             |
| 5                | -11        | 0x0018 | Bus fault               |
| 4                | -12        | 0x0014 | Memory management fault |
| 3                | -13        | 0x0010 | Hard fault              |
| 2                | -14        | 0x000C | NMI                     |
| 1                |            | 0x0008 | Reset                   |
|                  |            | 0x0004 | Initial SP value        |
|                  |            | 0x0000 |                         |

On system reset, the vector table is fixed at address 0x0000.0000. Privileged software can write to the **Vector Table Offset (VTABLE)** register to relocate the vector table start address to a different memory location, in the range 0x0000.0100 to 0x3FFF.FF00 (see “Vector Table” on page 71). Note that when configuring the **VTABLE** register, the offset must be aligned on a 256-byte boundary.

## 2.5.5 Exception Priorities

As Table 2-8 on page 69 shows, all exceptions have an associated priority, with a lower priority value indicating a higher priority and configurable priorities for all exceptions except Reset, Hard fault, and NMI. If software does not configure any priorities, then all exceptions with a configurable priority have a priority of 0. For information about configuring exception priorities, see page 115 and page 101.

**Note:** Configurable priority values for the Stellaris implementation are in the range 0-7. This means that the Reset, Hard fault, and NMI exceptions, with fixed negative priority values, always have higher priority than any other exception.

For example, assigning a higher priority value to IRQ[0] and a lower priority value to IRQ[1] means that IRQ[1] has higher priority than IRQ[0]. If both IRQ[1] and IRQ[0] are asserted, IRQ[1] is processed before IRQ[0].

If multiple pending exceptions have the same priority, the pending exception with the lowest exception number takes precedence. For example, if both IRQ[0] and IRQ[1] are pending and have the same priority, then IRQ[0] is processed before IRQ[1].

When the processor is executing an exception handler, the exception handler is preempted if a higher priority exception occurs. If an exception occurs with the same priority as the exception being handled, the handler is not preempted, irrespective of the exception number. However, the status of the new interrupt changes to pending.

## 2.5.6 Interrupt Priority Grouping

To increase priority control in systems with interrupts, the NVIC supports priority grouping. This grouping divides each interrupt priority register entry into two fields:

- An upper field that defines the group priority
- A lower field that defines a subpriority within the group

Only the group priority determines preemption of interrupt exceptions. When the processor is executing an interrupt exception handler, another interrupt with the same group priority as the interrupt being handled does not preempt the handler.

If multiple pending interrupts have the same group priority, the subpriority field determines the order in which they are processed. If multiple pending interrupts have the same group priority and subpriority, the interrupt with the lowest IRQ number is processed first.

For information about splitting the interrupt priority fields into group priority and subpriority, see page 109.

## 2.5.7 Exception Entry and Return

Descriptions of exception handling use the following terms:

- **Preemption.** When the processor is executing an exception handler, an exception can preempt the exception handler if its priority is higher than the priority of the exception being handled. See “Interrupt Priority Grouping” on page 72 for more information about preemption by an interrupt. When one exception preempts another, the exceptions are called nested exceptions. See “Exception Entry” on page 73 more information.
- **Return.** Return occurs when the exception handler is completed, and there is no pending exception with sufficient priority to be serviced and the completed exception handler was not

handling a late-arriving exception. The processor pops the stack and restores the processor state to the state it had before the interrupt occurred. See “Exception Return” on page 74 for more information.

- **Tail-Chaining.** This mechanism speeds up exception servicing. On completion of an exception handler, if there is a pending exception that meets the requirements for exception entry, the stack pop is skipped and control transfers to the new exception handler.
- **Late-Arriving.** This mechanism speeds up preemption. If a higher priority exception occurs during state saving for a previous exception, the processor switches to handle the higher priority exception and initiates the vector fetch for that exception. State saving is not affected by late arrival because the state saved is the same for both exceptions. Therefore, the state saving continues uninterrupted. The processor can accept a late arriving exception until the first instruction of the exception handler of the original exception enters the execute stage of the processor. On return from the exception handler of the late-arriving exception, the normal tail-chaining rules apply.

### 2.5.7.1 Exception Entry

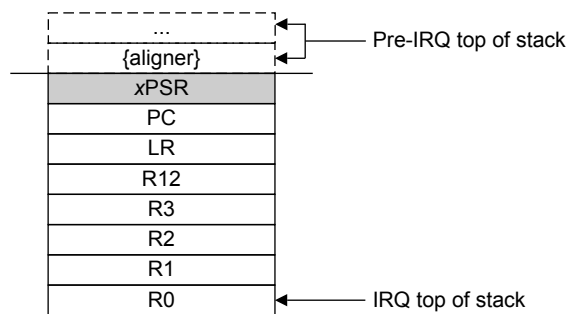
Exception entry occurs when there is a pending exception with sufficient priority and either the processor is in Thread mode or the new exception is of higher priority than the exception being handled, in which case the new exception preempts the original exception.

When one exception preempts another, the exceptions are nested.

Sufficient priority means the exception has more priority than any limits set by the mask registers (see **PRIMASK** on page 55, **FAULTMASK** on page 56, and **BASEPRI** on page 57). An exception with less priority than this is pending but is not handled by the processor.

When the processor takes an exception, unless the exception is a tail-chained or a late-arriving exception, the processor pushes information onto the current stack. This operation is referred to as *stacking* and the structure of eight data words is referred to as *stack frame*.

**Figure 2-7. Exception Stack Frame**



Immediately after stacking, the stack pointer indicates the lowest address in the stack frame. Unless stack alignment is disabled, the stack frame is aligned to a double-word address. If the **STKALIGN** bit of the **Configuration Control (CCR)** register is set, stack align adjustment is performed during stacking.

The stack frame includes the return address, which is the address of the next instruction in the interrupted program. This value is restored to the **PC** at exception return so that the interrupted program resumes.

In parallel to the stacking operation, the processor performs a vector fetch that reads the exception handler start address from the vector table. When stacking is complete, the processor starts executing the exception handler. At the same time, the processor writes an EXC\_RETURN value to the **LR**, indicating which stack pointer corresponds to the stack frame and what operation mode the processor was in before the entry occurred.

If no higher-priority exception occurs during exception entry, the processor starts executing the exception handler and automatically changes the status of the corresponding pending interrupt to active.

If another higher-priority exception occurs during exception entry, known as late arrival, the processor starts executing the exception handler for this exception and does not change the pending status of the earlier exception.

### 2.5.7.2 Exception Return

Exception return occurs when the processor is in Handler mode and executes one of the following instructions to load the EXC\_RETURN value into the **PC**:

- An **LDM** or **POP** instruction that loads the **PC**
- A **BX** instruction using any register
- An **LDR** instruction with the **PC** as the destination

EXC\_RETURN is the value loaded into the **LR** on exception entry. The exception mechanism relies on this value to detect when the processor has completed an exception handler. The lowest four bits of this value provide information on the return stack and processor mode. Table 2-10 on page 74 shows the EXC\_RETURN values with a description of the exception return behavior.

EXC\_RETURN bits 31:4 are all set. When this value is loaded into the **PC**, it indicates to the processor that the exception is complete, and the processor initiates the appropriate exception return sequence.

**Table 2-10. Exception Return Behavior**

| EXC_RETURN[31:0]          | Description   |
|---------------------------|---|
| 0xFFFF.FFF0               | Reserved  |
| 0xFFFF.FFF1               | Return to Handler mode.<br>Exception return uses state from <b>MSP</b> .<br>Execution uses <b>MSP</b> after return. |
| 0xFFFF.FFF2 - 0xFFFF.FFF8 | Reserved  |
| 0xFFFF.FFF9               | Return to Thread mode.<br>Exception return uses state from <b>MSP</b> .<br>Execution uses <b>MSP</b> after return.  |
| 0xFFFF.FFFA - 0xFFFF.FFFC | Reserved  |
| 0xFFFF.FFFD               | Return to Thread mode.<br>Exception return uses state from <b>PSP</b> .<br>Execution uses <b>PSP</b> after return.  |
| 0xFFFF.FFFE - 0xFFFF.FFFF | Reserved  |

## 2.6 Fault Handling

Faults are a subset of the exceptions (see “Exception Model” on page 67). The following conditions generate a fault:

- A bus error on an instruction fetch or vector table load or a data access.
- An internally detected error such as an undefined instruction or an attempt to change state with a BX instruction.
- Attempting to execute an instruction from a memory region marked as Non-Executable (XN).
- An MPU fault because of a privilege violation or an attempt to access an unmanaged region.

### 2.6.1 Fault Types

Table 2-11 on page 75 shows the types of fault, the handler used for the fault, the corresponding fault status register, and the register bit that indicates the fault has occurred. See page 122 for more information about the fault status registers.

**Table 2-11. Faults**

| Fault  | Handler                 | Fault Status Register                       | Bit Name          |
|--|-------------------------|---|-------------------|
| Bus error on a vector read                                     | Hard fault              | Hard Fault Status (HFAULTSTAT)              | VECT              |
| Fault escalated to a hard fault                                | Hard fault              | Hard Fault Status (HFAULTSTAT)              | FORCED            |
| MPU or default memory mismatch on instruction access           | Memory management fault | Memory Management Fault Status (MFAULTSTAT) | IERR <sup>a</sup> |
| MPU or default memory mismatch on data access                  | Memory management fault | Memory Management Fault Status (MFAULTSTAT) | DERR              |
| MPU or default memory mismatch on exception stacking           | Memory management fault | Memory Management Fault Status (MFAULTSTAT) | MSTKE             |
| MPU or default memory mismatch on exception unstacking         | Memory management fault | Memory Management Fault Status (MFAULTSTAT) | MUSTKE            |
| Bus error during exception stacking                            | Bus fault               | Bus Fault Status (BFAULTSTAT)               | BSTKE             |
| Bus error during exception unstacking                          | Bus fault               | Bus Fault Status (BFAULTSTAT)               | BUSTKE            |
| Bus error during instruction prefetch                          | Bus fault               | Bus Fault Status (BFAULTSTAT)               | IBUS              |
| Precise data bus error   | Bus fault               | Bus Fault Status (BFAULTSTAT)               | PRECISE           |
| Imprecise data bus error                                       | Bus fault               | Bus Fault Status (BFAULTSTAT)               | IMPRE             |
| Attempt to access a coprocessor                                | Usage fault             | Usage Fault Status (UFAULTSTAT)             | NOCP              |
| Undefined instruction  | Usage fault             | Usage Fault Status (UFAULTSTAT)             | UNDEF             |
| Attempt to enter an invalid instruction set state <sup>b</sup> | Usage fault             | Usage Fault Status (UFAULTSTAT)             | INVSTAT           |
| Invalid EXC_RETURN value                                       | Usage fault             | Usage Fault Status (UFAULTSTAT)             | INVPC             |
| Illegal unaligned load or store                                | Usage fault             | Usage Fault Status (UFAULTSTAT)             | UNALIGN           |
| Divide by 0  | Usage fault             | Usage Fault Status (UFAULTSTAT)             | DIV0              |

a. Occurs on an access to an XN region even if the MPU is disabled.

b. Attempting to use an instruction set other than the Thumb instruction set, or returning to a non load-store-multiple instruction with ICI continuation.

### 2.6.2 Fault Escalation and Hard Faults

All fault exceptions except for hard fault have configurable exception priority (see **SYSPRI1** on page 115). Software can disable execution of the handlers for these faults (see **SYSHNDCTRL** on page 118).

Usually, the exception priority, together with the values of the exception mask registers, determines whether the processor enters the fault handler, and whether a fault handler can preempt another fault handler as described in “Exception Model” on page 67.

In some situations, a fault with configurable priority is treated as a hard fault. This process is called priority escalation, and the fault is described as *escalated to hard fault*. Escalation to hard fault occurs when:

- A fault handler causes the same kind of fault as the one it is servicing. This escalation to hard fault occurs because a fault handler cannot preempt itself because it must have the same priority as the current priority level.
- A fault handler causes a fault with the same or lower priority as the fault it is servicing. This situation happens because the handler for the new fault cannot preempt the currently executing fault handler.
- An exception handler causes a fault for which the priority is the same as or lower than the currently executing exception.
- A fault occurs and the handler for that fault is not enabled.

If a bus fault occurs during a stack push when entering a bus fault handler, the bus fault does not escalate to a hard fault. Thus if a corrupted stack causes a fault, the fault handler executes even though the stack push for the handler failed. The fault handler operates but the stack contents are corrupted.

**Note:** Only Reset and NMI can preempt the fixed priority hard fault. A hard fault can preempt any exception other than Reset, NMI, or another hard fault.

### 2.6.3 Fault Status Registers and Fault Address Registers

The fault status registers indicate the cause of a fault. For bus faults and memory management faults, the fault address register indicates the address accessed by the operation that caused the fault, as shown in Table 2-12 on page 76.

**Table 2-12. Fault Status and Fault Address Registers**

| Handler                 | Status Register Name                        | Address Register Name                    | Register Description |
|-------------------------|---|--|----------------------|
| Hard fault              | Hard Fault Status (HFAULTSTAT)              | -  | page 128             |
| Memory management fault | Memory Management Fault Status (MFAULTSTAT) | Memory Management Fault Address (MMADDR) | page 122<br>page 129 |
| Bus fault               | Bus Fault Status (BFAULTSTAT)               | Bus Fault Address (FAULTADDR)            | page 122<br>page 130 |
| Usage fault             | Usage Fault Status (UFAULTSTAT)             | -  | page 122             |

### 2.6.4 Lockup

The processor enters a lockup state if a hard fault occurs when executing the NMI or hard fault handlers. When the processor is in the lockup state, it does not execute any instructions. The processor remains in lockup state until it is reset, an NMI occurs, or it is halted by a debugger.

**Note:** If the lockup state occurs from the NMI handler, a subsequent NMI does not cause the processor to leave the lockup state.

## 2.7 Power Management

The Cortex-M3 processor sleep modes reduce power consumption:

- Sleep mode stops the processor clock.
- Deep-sleep mode stops the system clock and switches off the PLL and Flash memory.

The `SLEEPDEEP` bit of the **System Control (SYSCTRL)** register selects which sleep mode is used (see page 111). For more information about the behavior of the sleep modes, see “System Control” on page 160.

This section describes the mechanisms for entering sleep mode and the conditions for waking up from sleep mode, both of which apply to Sleep mode and Deep-sleep mode.

### 2.7.1 Entering Sleep Modes

This section describes the mechanisms software can use to put the processor into one of the sleep modes.

The system can generate spurious wake-up events, for example a debug operation wakes up the processor. Therefore, software must be able to put the processor back into sleep mode after such an event. A program might have an idle loop to put the processor back to sleep mode.

#### 2.7.1.1 Wait for Interrupt

The wait for interrupt instruction, `WFI`, causes immediate entry to sleep mode unless the wake-up condition is true (see “Wake Up from WFI or Sleep-on-Exit” on page 78). When the processor executes a `WFI` instruction, it stops executing instructions and enters sleep mode. See the *Cortex™-M3/M4 Instruction Set Technical User's Manual* for more information.

#### 2.7.1.2 Wait for Event

The wait for event instruction, `WFE`, causes entry to sleep mode conditional on the value of a one-bit event register. When the processor executes a `WFE` instruction, it checks the event register. If the register is 0, the processor stops executing instructions and enters sleep mode. If the register is 1, the processor clears the register and continues executing instructions without entering sleep mode.

If the event register is 1, the processor must not enter sleep mode on execution of a `WFE` instruction. Typically, this situation occurs if an `SEV` instruction has been executed. Software cannot access this register directly.

See the *Cortex™-M3/M4 Instruction Set Technical User's Manual* for more information.

#### 2.7.1.3 Sleep-on-Exit

If the `SLEEPEXIT` bit of the **SYSCTRL** register is set, when the processor completes the execution of all exception handlers, it returns to Thread mode and immediately enters sleep mode. This mechanism can be used in applications that only require the processor to run when an exception occurs.

### 2.7.2 Wake Up from Sleep Mode

The conditions for the processor to wake up depend on the mechanism that cause it to enter sleep mode.

### 2.7.2.1 Wake Up from WFI or Sleep-on-Exit

Normally, the processor wakes up only when the NVIC detects an exception with sufficient priority to cause exception entry. Some embedded systems might have to execute system restore tasks after the processor wakes up and before executing an interrupt handler. Entry to the interrupt handler can be delayed by setting the `PRIMASK` bit and clearing the `FAULTMASK` bit. If an interrupt arrives that is enabled and has a higher priority than current exception priority, the processor wakes up but does not execute the interrupt handler until the processor clears `PRIMASK`. For more information about **PRIMASK** and **FAULTMASK**, see page 55 and page 56.

### 2.7.2.2 Wake Up from WFE

The processor wakes up if it detects an exception with sufficient priority to cause exception entry.

In addition, if the `SEVONPEND` bit in the **SYSCTRL** register is set, any new pending interrupt triggers an event and wakes up the processor, even if the interrupt is disabled or has insufficient priority to cause exception entry. For more information about **SYSCTRL**, see page 111.

## 2.8 Instruction Set Summary

The processor implements a version of the Thumb instruction set. Table 2-13 on page 78 lists the supported instructions.

**Note:** In Table 2-13 on page 78:

- Angle brackets, `<>`, enclose alternative forms of the operand
- Braces, `{}`, enclose optional operands
- The Operands column is not exhaustive
- `Op2` is a flexible second operand that can be either a register or a constant
- Most instructions can use an optional condition code suffix

For more information on the instructions and operands, see the instruction descriptions in the *Cortex™-M3/M4 Instruction Set Technical User's Manual*.

**Table 2-13. Cortex-M3 Instruction Summary**

| Mnemonic  | Operands             | Brief Description              | Flags      |
|-----------|----------------------|--------------------------------|------------|
| ADC, ADCS | {Rd,} Rn, Op2        | Add with carry                 | N, Z, C, V |
| ADD, ADDS | {Rd,} Rn, Op2        | Add                            | N, Z, C, V |
| ADD, ADDW | {Rd,} Rn, #imm12     | Add                            | N, Z, C, V |
| ADR       | Rd, label            | Load PC-relative address       | -          |
| AND, ANDS | {Rd,} Rn, Op2        | Logical AND                    | N, Z, C    |
| ASR, ASRS | Rd, Rm, <Rs #n>      | Arithmetic shift right         | N, Z, C    |
| B         | label                | Branch                         | -          |
| BFC       | Rd, #lsb, #width     | Bit field clear                | -          |
| BFI       | Rd, Rn, #lsb, #width | Bit field insert               | -          |
| BIC, BICS | {Rd,} Rn, Op2        | Bit clear                      | N, Z, C    |
| BKPT      | #imm                 | Breakpoint                     | -          |
| BL        | label                | Branch with link               | -          |
| BLX       | Rm                   | Branch indirect with link      | -          |
| BX        | Rm                   | Branch indirect                | -          |
| CBNZ      | Rn, label            | Compare and branch if non-zero | -          |

Table 2-13. Cortex-M3 Instruction Summary (continued)

| Mnemonic      | Operands               | Brief Description                              | Flags      |
|---------------|------------------------|--|------------|
| CBZ           | Rn, label              | Compare and branch if zero                     | -          |
| CLREX         | -                      | Clear exclusive                                | -          |
| CLZ           | Rd, Rm                 | Count leading zeros                            | -          |
| CMN           | Rn, Op2                | Compare negative                               | N, Z, C, V |
| CMP           | Rn, Op2                | Compare  | N, Z, C, V |
| CPSID         | i                      | Change processor state, disable interrupts     | -          |
| CPSIE         | i                      | Change processor state, enable interrupts      | -          |
| DMB           | -                      | Data memory barrier                            | -          |
| DSB           | -                      | Data synchronization barrier                   | -          |
| EOR, EORS     | {Rd,} Rn, Op2          | Exclusive OR                                   | N, Z, C    |
| ISB           | -                      | Instruction synchronization barrier            | -          |
| IT            | -                      | If-Then condition block                        | -          |
| LDM           | Rn{!}, reglist         | Load multiple registers, increment after       | -          |
| LDMDB, LDMEA  | Rn{!}, reglist         | Load multiple registers, decrement before      | -          |
| LDMFD, LDMIA  | Rn{!}, reglist         | Load multiple registers, increment after       | -          |
| LDR           | Rt, [Rn, #offset]      | Load register with word                        | -          |
| LDRB, LDRBT   | Rt, [Rn, #offset]      | Load register with byte                        | -          |
| LDRD          | Rt, Rt2, [Rn, #offset] | Load register with two bytes                   | -          |
| LDREX         | Rt, [Rn, #offset]      | Load register exclusive                        | -          |
| LDREXB        | Rt, [Rn]               | Load register exclusive with byte              | -          |
| LDREXH        | Rt, [Rn]               | Load register exclusive with halfword          | -          |
| LDRH, LDRHT   | Rt, [Rn, #offset]      | Load register with halfword                    | -          |
| LDRSB, LDRSBT | Rt, [Rn, #offset]      | Load register with signed byte                 | -          |
| LDRSH, LDRSHT | Rt, [Rn, #offset]      | Load register with signed halfword             | -          |
| LDRT          | Rt, [Rn, #offset]      | Load register with word                        | -          |
| LSL, LSLS     | Rd, Rm, <Rs #n>        | Logical shift left                             | N, Z, C    |
| LSR, LSRS     | Rd, Rm, <Rs #n>        | Logical shift right                            | N, Z, C    |
| MLA           | Rd, Rn, Rm, Ra         | Multiply with accumulate, 32-bit result        | -          |
| MLS           | Rd, Rn, Rm, Ra         | Multiply and subtract, 32-bit result           | -          |
| MOV, MOVS     | Rd, Op2                | Move   | N, Z, C    |
| MOV, MOVW     | Rd, #imm16             | Move 16-bit constant                           | N, Z, C    |
| MOVT          | Rd, #imm16             | Move top                                       | -          |
| MRS           | Rd, spec_reg           | Move from special register to general register | -          |
| MSR           | spec_reg, Rm           | Move from general register to special register | N, Z, C, V |
| MUL, MULS     | {Rd,} Rn, Rm           | Multiply, 32-bit result                        | N, Z       |
| MVN, MVNS     | Rd, Op2                | Move NOT                                       | N, Z, C    |
| NOP           | -                      | No operation                                   | -          |
| ORN, ORNS     | {Rd,} Rn, Op2          | Logical OR NOT                                 | N, Z, C    |

Table 2-13. Cortex-M3 Instruction Summary (continued)

| Mnemonic      | Operands                  | Brief Description   | Flags      |
|---------------|---------------------------|---|------------|
| ORR, ORRS     | {Rd,} Rn, Op2             | Logical OR  | N, Z, C    |
| POP           | reglist                   | Pop registers from stack                                  | -          |
| PUSH          | reglist                   | Push registers onto stack                                 | -          |
| RBIT          | Rd, Rn                    | Reverse bits  | -          |
| REV           | Rd, Rn                    | Reverse byte order in a word                              | -          |
| REV16         | Rd, Rn                    | Reverse byte order in each halfword                       | -          |
| REVSH         | Rd, Rn                    | Reverse byte order in bottom halfword and sign extend     | -          |
| ROR, RORS     | Rd, Rm, <Rs #n>           | Rotate right  | N, Z, C    |
| RRX, RRXS     | Rd, Rm                    | Rotate right with extend                                  | N, Z, C    |
| RSB, RSBS     | {Rd,} Rn, Op2             | Reverse subtract  | N, Z, C, V |
| SBC, SBSC     | {Rd,} Rn, Op2             | Subtract with carry                                       | N, Z, C, V |
| SBFX          | Rd, Rn, #lsb, #width      | Signed bit field extract                                  | -          |
| SDIV          | {Rd,} Rn, Rm              | Signed divide   | -          |
| SEV           | -                         | Send event  | -          |
| SMLAL         | RdLo, RdHi, Rn, Rm        | Signed multiply with accumulate (32x32+64), 64-bit result | -          |
| SMULL         | RdLo, RdHi, Rn, Rm        | Signed multiply (32x32), 64-bit result                    | -          |
| SSAT          | Rd, #n, Rm {,shift #s}    | Signed saturate   | Q          |
| STM           | Rn{!}, reglist            | Store multiple registers, increment after                 | -          |
| STMDB, STMEA  | Rn{!}, reglist            | Store multiple registers, decrement before                | -          |
| STMFD, STMIA  | Rn{!}, reglist            | Store multiple registers, increment after                 | -          |
| STR           | Rt, [Rn {, #offset}]      | Store register word                                       | -          |
| STRB, STRBT   | Rt, [Rn {, #offset}]      | Store register byte                                       | -          |
| STRD          | Rt, Rt2, [Rn {, #offset}] | Store register two words                                  | -          |
| STREX         | Rt, Rt, [Rn {, #offset}]  | Store register exclusive                                  | -          |
| STREXB        | Rd, Rt, [Rn]              | Store register exclusive byte                             | -          |
| STREXH        | Rd, Rt, [Rn]              | Store register exclusive halfword                         | -          |
| STRH, STRHT   | Rt, [Rn {, #offset}]      | Store register halfword                                   | -          |
| STRSB, STRSBT | Rt, [Rn {, #offset}]      | Store register signed byte                                | -          |
| STRSH, STRSHT | Rt, [Rn {, #offset}]      | Store register signed halfword                            | -          |
| STRT          | Rt, [Rn {, #offset}]      | Store register word                                       | -          |
| SUB, SUBS     | {Rd,} Rn, Op2             | Subtract  | N, Z, C, V |
| SUB, SUBW     | {Rd,} Rn, #imm12          | Subtract 12-bit constant                                  | N, Z, C, V |
| SVC           | #imm                      | Supervisor call   | -          |
| SXTB          | {Rd,} Rm {,ROR #n}        | Sign extend a byte  | -          |
| SXTH          | {Rd,} Rm {,ROR #n}        | Sign extend a halfword                                    | -          |
| TBB           | [Rn, Rm]                  | Table branch byte   | -          |
| TBH           | [Rn, Rm, LSL #1]          | Table branch halfword                                     | -          |
| TEQ           | Rn, Op2                   | Test equivalence  | N, Z, C    |
| TST           | Rn, Op2                   | Test  | N, Z, C    |

Table 2-13. Cortex-M3 Instruction Summary (continued)

| Mnemonic | Operands               | Brief Description  | Flags |
|----------|------------------------|--|-------|
| UBFX     | Rd, Rn, #lsb, #width   | Unsigned bit field extract                                     | -     |
| UDIV     | {Rd,} Rn, Rm           | Unsigned divide  | -     |
| UMLAL    | RdLo, RdHi, Rn, Rm     | Unsigned multiply with accumulate (32x32+32+32), 64-bit result | -     |
| UMULL    | RdLo, RdHi, Rn, Rm     | Unsigned multiply (32x 2), 64-bit result                       | -     |
| USAT     | Rd, #n, Rm {,shift #s} | Unsigned Saturate  | Q     |
| UXTB     | {Rd,} Rm, {,ROR #n}    | Zero extend a Byte   | -     |
| UXTH     | {Rd,} Rm, {,ROR #n}    | Zero extend a Halfword   | -     |
| WFE      | -                      | Wait for event   | -     |
| WFI      | -                      | Wait for interrupt   | -     |

## 3 Cortex-M3 Peripherals

This chapter provides information on the Stellaris<sup>®</sup> implementation of the Cortex-M3 processor peripherals, including:

- SysTick (see page 82)
  - Provides a simple, 24-bit clear-on-write, decrementing, wrap-on-zero counter with a flexible control mechanism.
- Nested Vectored Interrupt Controller (NVIC) (see page 83)
  - Facilitates low-latency exception and interrupt handling
  - Controls power management
  - Implements system control registers
- System Control Block (SCB) (see page 85)
  - Provides system implementation information and system control, including configuration, control, and reporting of system exceptions.
- Memory Protection Unit (MPU) (see page 85)
  - Supports the standard ARMv7 Protected Memory System Architecture (PMSA) model. The MPU provides full support for protection regions, overlapping protection regions, access permissions, and exporting memory attributes to the system.

Table 3-1 on page 82 shows the address map of the Private Peripheral Bus (PPB). Some peripheral register regions are split into two address regions, as indicated by two addresses listed.

**Table 3-1. Core Peripheral Register Regions**

| Address  | Core Peripheral                      | Description (see page ...) |
|--|--------------------------------------|----------------------------|
| 0xE000.E010-0xE000.E01F                            | System Timer                         | 82                         |
| 0xE000.E100-0xE000.E4EF<br>0xE000.EF00-0xE000.EF03 | Nested Vectored Interrupt Controller | 83                         |
| 0xE000.ED00-0xE000.ED3F                            | System Control Block                 | 85                         |
| 0xE000.ED90-0xE000.EDB8                            | Memory Protection Unit               | 85                         |

### 3.1 Functional Description

This chapter provides information on the Stellaris implementation of the Cortex-M3 processor peripherals: SysTick, NVIC, SCB and MPU.

#### 3.1.1 System Timer (SysTick)

Cortex-M3 includes an integrated system timer, SysTick, which provides a simple, 24-bit clear-on-write, decrementing, wrap-on-zero counter with a flexible control mechanism. The counter can be used in several different ways, for example as:

- An RTOS tick timer that fires at a programmable rate (for example, 100 Hz) and invokes a SysTick routine.
- A high-speed alarm timer using the system clock.

- A variable rate alarm or signal timer—the duration is range-dependent on the reference clock used and the dynamic range of the counter.
- A simple counter used to measure time to completion and time used.
- An internal clock source control based on missing/meeting durations. The `COUNT` bit in the **STCTRL** control and status register can be used to determine if an action completed within a set duration, as part of a dynamic clock management control loop.

The timer consists of three registers:

- **SysTick Control and Status (STCTRL)**: A control and status counter to configure its clock, enable the counter, enable the SysTick interrupt, and determine counter status.
- **SysTick Reload Value (STRELOAD)**: The reload value for the counter, used to provide the counter's wrap value.
- **SysTick Current Value (STCURRENT)**: The current value of the counter.

When enabled, the timer counts down on each clock from the reload value to zero, reloads (wraps) to the value in the **STRELOAD** register on the next clock edge, then decrements on subsequent clocks. Clearing the **STRELOAD** register disables the counter on the next wrap. When the counter reaches zero, the `COUNT` status bit is set. The `COUNT` bit clears on reads.

Writing to the **STCURRENT** register clears the register and the `COUNT` status bit. The write does not trigger the SysTick exception logic. On a read, the current value is the value of the register at the time the register is accessed.

The SysTick counter runs on the system clock. If this clock signal is stopped for low power mode, the SysTick counter stops. Ensure software uses aligned word accesses to access the SysTick registers.

**Note:** When the processor is halted for debugging, the counter does not decrement.

### 3.1.2 Nested Vectored Interrupt Controller (NVIC)

This section describes the Nested Vectored Interrupt Controller (NVIC) and the registers it uses. The NVIC supports:

- 23 interrupts.
- A programmable priority level of 0-7 for each interrupt. A higher level corresponds to a lower priority, so level 0 is the highest interrupt priority.
- Low-latency exception and interrupt handling.
- Level and pulse detection of interrupt signals.
- Dynamic reprioritization of interrupts.
- Grouping of priority values into group priority and subpriority fields.
- Interrupt tail-chaining.
- An external Non-maskable interrupt (NMI).

The processor automatically stacks its state on exception entry and unstacks this state on exception exit, with no instruction overhead, providing low latency exception handling.

### 3.1.2.1 Level-Sensitive and Pulse Interrupts

The processor supports both level-sensitive and pulse interrupts. Pulse interrupts are also described as edge-triggered interrupts.

A level-sensitive interrupt is held asserted until the peripheral deasserts the interrupt signal. Typically this happens because the ISR accesses the peripheral, causing it to clear the interrupt request. A pulse interrupt is an interrupt signal sampled synchronously on the rising edge of the processor clock. To ensure the NVIC detects the interrupt, the peripheral must assert the interrupt signal for at least one clock cycle, during which the NVIC detects the pulse and latches the interrupt.

When the processor enters the ISR, it automatically removes the pending state from the interrupt (see “Hardware and Software Control of Interrupts” on page 84 for more information). For a level-sensitive interrupt, if the signal is not deasserted before the processor returns from the ISR, the interrupt becomes pending again, and the processor must execute its ISR again. As a result, the peripheral can hold the interrupt signal asserted until it no longer needs servicing.

### 3.1.2.2 Hardware and Software Control of Interrupts

The Cortex-M3 latches all interrupts. A peripheral interrupt becomes pending for one of the following reasons:

- The NVIC detects that the interrupt signal is High and the interrupt is not active.
- The NVIC detects a rising edge on the interrupt signal.
- Software writes to the corresponding interrupt set-pending register bit, or to the **Software Trigger Interrupt (SWTRIG)** register to make a Software-Generated Interrupt pending. See the `INT` bit in the `PEND0` register on page 98 or **SWTRIG** on page 103.

A pending interrupt remains pending until one of the following:

- The processor enters the ISR for the interrupt, changing the state of the interrupt from pending to active. Then:
  - For a level-sensitive interrupt, when the processor returns from the ISR, the NVIC samples the interrupt signal. If the signal is asserted, the state of the interrupt changes to pending, which might cause the processor to immediately re-enter the ISR. Otherwise, the state of the interrupt changes to inactive.
  - For a pulse interrupt, the NVIC continues to monitor the interrupt signal, and if this is pulsed the state of the interrupt changes to pending and active. In this case, when the processor returns from the ISR the state of the interrupt changes to pending, which might cause the processor to immediately re-enter the ISR.

If the interrupt signal is not pulsed while the processor is in the ISR, when the processor returns from the ISR the state of the interrupt changes to inactive.
- Software writes to the corresponding interrupt clear-pending register bit
  - For a level-sensitive interrupt, if the interrupt signal is still asserted, the state of the interrupt does not change. Otherwise, the state of the interrupt changes to inactive.

- For a pulse interrupt, the state of the interrupt changes to inactive, if the state was pending or to active, if the state was active and pending.

### 3.1.3 System Control Block (SCB)

The System Control Block (SCB) provides system implementation information and system control, including configuration, control, and reporting of the system exceptions.

### 3.1.4 Memory Protection Unit (MPU)

This section describes the Memory protection unit (MPU). The MPU divides the memory map into a number of regions and defines the location, size, access permissions, and memory attributes of each region. The MPU supports independent attribute settings for each region, overlapping regions, and export of memory attributes to the system.

The memory attributes affect the behavior of memory accesses to the region. The Cortex-M3 MPU defines eight separate memory regions, 0-7, and a background region.

When memory regions overlap, a memory access is affected by the attributes of the region with the highest number. For example, the attributes for region 7 take precedence over the attributes of any region that overlaps region 7.

The background region has the same memory access attributes as the default memory map, but is accessible from privileged software only.

The Cortex-M3 MPU memory map is unified, meaning that instruction accesses and data accesses have the same region settings.

If a program accesses a memory location that is prohibited by the MPU, the processor generates a memory management fault, causing a fault exception and possibly causing termination of the process in an OS environment. In an OS environment, the kernel can update the MPU region setting dynamically based on the process to be executed. Typically, an embedded OS uses the MPU for memory protection.

Configuration of MPU regions is based on memory types (see “Memory Regions, Types and Attributes” on page 60 for more information).

Table 3-2 on page 85 shows the possible MPU region attributes. See the section called “MPU Configuration for a Stellaris Microcontroller” on page 89 for guidelines for programming a microcontroller implementation.

**Table 3-2. Memory Attributes Summary**

| Memory Type      | Description   |
|------------------|---|
| Strongly Ordered | All accesses to Strongly Ordered memory occur in program order. |
| Device           | Memory-mapped peripherals                                       |
| Normal           | Normal memory   |

To avoid unexpected behavior, disable the interrupts before updating the attributes of a region that the interrupt handlers might access.

Ensure software uses aligned accesses of the correct size to access MPU registers:

- Except for the **MPU Region Attribute and Size (MPUATTR)** register, all MPU registers must be accessed with aligned word accesses.
- The **MPUATTR** register can be accessed with byte or aligned halfword or word accesses.

The processor does not support unaligned accesses to MPU registers.

When setting up the MPU, and if the MPU has previously been programmed, disable unused regions to prevent any previous region settings from affecting the new MPU setup.

### 3.1.4.1 Updating an MPU Region

To update the attributes for an MPU region, the **MPU Region Number (MPUNUMBER)**, **MPU Region Base Address (MPUBASE)** and **MPUATTR** registers must be updated. Each register can be programmed separately or with a multiple-word write to program all of these registers. You can use the **MPUBASEx** and **MPUATTRx** aliases to program up to four regions simultaneously using an STM instruction.

#### *Updating an MPU Region Using Separate Words*

This example simple code configures one region:

```

; R1 = region number
; R2 = size/enable
; R3 = attributes
; R4 = address
LDR R0,=MPUNUMBER          ; 0xE000ED98, MPU region number register
STR R1, [R0, #0x0]         ; Region Number
STR R4, [R0, #0x4]         ; Region Base Address
STRH R2, [R0, #0x8]        ; Region Size and Enable
STRH R3, [R0, #0xA]        ; Region Attribute

```

Disable a region before writing new region settings to the MPU if you have previously enabled the region being changed. For example:

```

; R1 = region number
; R2 = size/enable
; R3 = attributes
; R4 = address
LDR R0,=MPUNUMBER          ; 0xE000ED98, MPU region number register
STR R1, [R0, #0x0]         ; Region Number
BIC R2, R2, #1              ; Disable
STRH R2, [R0, #0x8]        ; Region Size and Enable
STR R4, [R0, #0x4]         ; Region Base Address
STRH R3, [R0, #0xA]        ; Region Attribute
ORR R2, #1                  ; Enable
STRH R2, [R0, #0x8]        ; Region Size and Enable

```

Software must use memory barrier instructions:

- Before MPU setup, if there might be outstanding memory transfers, such as buffered writes, that might be affected by the change in MPU settings.
- After MPU setup, if it includes memory transfers that must use the new MPU settings.

However, memory barrier instructions are not required if the MPU setup process starts by entering an exception handler, or is followed by an exception return, because the exception entry and exception return mechanism cause memory barrier behavior.

Software does not need any memory barrier instructions during MPU setup, because it accesses the MPU through the Private Peripheral Bus (PPB), which is a Strongly Ordered memory region.

For example, if all of the memory access behavior is intended to take effect immediately after the programming sequence, then a DSB instruction and an ISB instruction should be used. A DSB is required after changing MPU settings, such as at the end of context switch. An ISB is required if the code that programs the MPU region or regions is entered using a branch or call. If the programming sequence is entered using a return from exception, or by taking an exception, then an ISB is not required.

### **Updating an MPU Region Using Multi-Word Writes**

The MPU can be programmed directly using multi-word writes, depending how the information is divided. Consider the following reprogramming:

```
; R1 = region number
; R2 = address
; R3 = size, attributes in one
LDR R0, =MPUNUMBER ; 0xE000ED98, MPU region number register
STR R1, [R0, #0x0] ; Region Number
STR R2, [R0, #0x4] ; Region Base Address
STR R3, [R0, #0x8] ; Region Attribute, Size and Enable
```

An STM instruction can be used to optimize this:

```
; R1 = region number
; R2 = address
; R3 = size, attributes in one
LDR R0, =MPUNUMBER ; 0xE000ED98, MPU region number register
STM R0, {R1-R3} ; Region number, address, attribute, size and enable
```

This operation can be done in two words for pre-packed information, meaning that the **MPU Region Base Address (MPUBASE)** register (see page 135) contains the required region number and has the VALID bit set. This method can be used when the data is statically packed, for example in a boot loader:

```
; R1 = address and region number in one
; R2 = size and attributes in one
LDR R0, =MPUBASE ; 0xE000ED9C, MPU Region Base register
STR R1, [R0, #0x0] ; Region base address and region number combined
; with VALID (bit 4) set
STR R2, [R0, #0x4] ; Region Attribute, Size and Enable
```

### **Subregions**

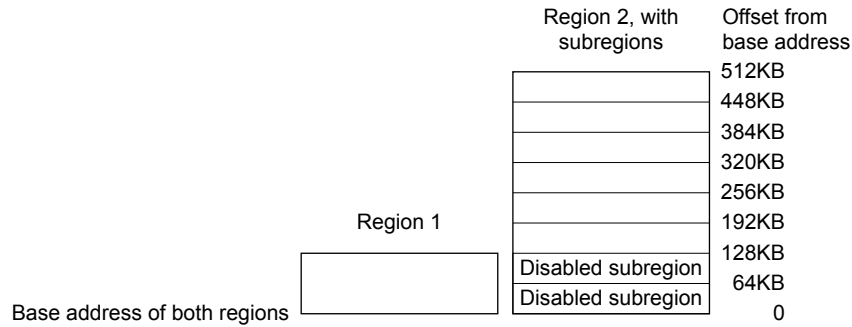
Regions of 256 bytes or more are divided into eight equal-sized subregions. Set the corresponding bit in the SRD field of the **MPU Region Attribute and Size (MPUATTR)** register (see page 137) to disable a subregion. The least-significant bit of the SRD field controls the first subregion, and the most-significant bit controls the last subregion. Disabling a subregion means another region overlapping the disabled range matches instead. If no other enabled region overlaps the disabled subregion, the MPU issues a fault.

Regions of 32, 64, and 128 bytes do not support subregions. With regions of these sizes, the SRD field must be configured to 0x00, otherwise the MPU behavior is unpredictable.

### Example of SRD Use

Two regions with the same base address overlap. Region one is 128 KB, and region two is 512 KB. To ensure the attributes from region one apply to the first 128 KB region, configure the `SRD` field for region two to `0x03` to disable the first two subregions, as Figure 3-1 on page 88 shows.

**Figure 3-1. SRD Use Example**



#### 3.1.4.2 MPU Access Permission Attributes

The access permission bits, `TEX`, `S`, `C`, `B`, `AP`, and `XN` of the `MPUATTR` register, control access to the corresponding memory region. If an access is made to an area of memory without the required permissions, then the MPU generates a permission fault.

Table 3-3 on page 88 shows the encodings for the `TEX`, `C`, `B`, and `S` access permission bits. All encodings are shown for completeness, however the current implementation of the Cortex-M3 does not support the concept of cacheability or shareability. Refer to the section called “MPU Configuration for a Stellaris Microcontroller” on page 89 for information on programming the MPU for Stellaris implementations.

**Table 3-3. TEX, S, C, and B Bit Field Encoding**

| TEX  | S              | C | B              | Memory Type       | Shareability  | Other Attributes                                     |
|------|----------------|---|----------------|-------------------|---------------|--|
| 000b | x <sup>a</sup> | 0 | 0              | Strongly Ordered  | Shareable     | -  |
| 000  | x <sup>a</sup> | 0 | 1              | Device            | Shareable     | -  |
| 000  | 0              | 1 | 0              | Normal            | Not shareable | Outer and inner write-through. No write allocate.    |
| 000  | 1              | 1 | 0              | Normal            | Shareable     |  |
| 000  | 0              | 1 | 1              | Normal            | Not shareable |  |
| 000  | 1              | 1 | 1              | Normal            | Shareable     |  |
| 001  | 0              | 0 | 0              | Normal            | Not shareable | Outer and inner noncacheable.                        |
| 001  | 1              | 0 | 0              | Normal            | Shareable     |  |
| 001  | x <sup>a</sup> | 0 | 1              | Reserved encoding | -             | -  |
| 001  | x <sup>a</sup> | 1 | 0              | Reserved encoding | -             | -  |
| 001  | 0              | 1 | 1              | Normal            | Not shareable | Outer and inner write-back. Write and read allocate. |
| 001  | 1              | 1 | 1              | Normal            | Shareable     |  |
| 010  | x <sup>a</sup> | 0 | 0              | Device            | Not shareable | Nonshared Device.                                    |
| 010  | x <sup>a</sup> | 0 | 1              | Reserved encoding | -             | -  |
| 010  | x <sup>a</sup> | 1 | x <sup>a</sup> | Reserved encoding | -             | -  |

**Table 3-3. TEX, S, C, and B Bit Field Encoding (continued)**

| TEX | S | C | B | Memory Type | Shareability  | Other Attributes   |
|-----|---|---|---|-------------|---------------|--|
| 1BB | 0 | A | A | Normal      | Not shareable | Cached memory (BB = outer policy, AA = inner policy).<br>See Table 3-4 for the encoding of the AA and BB bits. |
| 1BB | 1 | A | A | Normal      | Shareable     |  |

a. The MPU ignores the value of this bit.

Table 3-4 on page 89 shows the cache policy for memory attribute encodings with a TEX value in the range of 0x4-0x7.

**Table 3-4. Cache Policy for Memory Attribute Encoding**

| Encoding, AA or BB | Corresponding Cache Policy          |
|--------------------|-------------------------------------|
| 00                 | Non-cacheable                       |
| 01                 | Write back, write and read allocate |
| 10                 | Write through, no write allocate    |
| 11                 | Write back, no write allocate       |

Table 3-5 on page 89 shows the AP encodings in the MPUATTR register that define the access permissions for privileged and unprivileged software.

**Table 3-5. AP Bit Field Encoding**

| AP Bit Field | Privileged Permissions | Unprivileged Permissions | Description  |
|--------------|------------------------|--------------------------|--|
| 000          | No access              | No access                | All accesses generate a permission fault.                    |
| 001          | R/W                    | No access                | Access from privileged software only.                        |
| 010          | R/W                    | RO                       | Writes by unprivileged software generate a permission fault. |
| 011          | R/W                    | R/W                      | Full access.   |
| 100          | Unpredictable          | Unpredictable            | Reserved.  |
| 101          | RO                     | No access                | Reads by privileged software only.                           |
| 110          | RO                     | RO                       | Read-only, by privileged or unprivileged software.           |
| 111          | RO                     | RO                       | Read-only, by privileged or unprivileged software.           |

### **MPU Configuration for a Stellaris Microcontroller**

Stellaris microcontrollers have only a single processor and no caches. As a result, the MPU should be programmed as shown in Table 3-6 on page 89.

**Table 3-6. Memory Region Attributes for Stellaris Microcontrollers**

| Memory Region | TEX  | S | C | B | Memory Type and Attributes                           |
|---------------|------|---|---|---|--|
| Flash memory  | 000b | 0 | 1 | 0 | Normal memory, non-shareable, write-through          |
| Internal SRAM | 000b | 1 | 1 | 0 | Normal memory, shareable, write-through              |
| External SRAM | 000b | 1 | 1 | 1 | Normal memory, shareable, write-back, write-allocate |
| Peripherals   | 000b | 1 | 0 | 1 | Device memory, shareable                             |

In current Stellaris microcontroller implementations, the shareability and cache policy attributes do not affect the system behavior. However, using these settings for the MPU regions can make the application code more portable. The values given are for typical situations.

### 3.1.4.3 MPU Mismatch

When an access violates the MPU permissions, the processor generates a memory management fault (see “Exceptions and Interrupts” on page 59 for more information). The **MFAULTSTAT** register indicates the cause of the fault. See page 122 for more information.

## 3.2 Register Map

Table 3-7 on page 90 lists the Cortex-M3 Peripheral SysTick, NVIC, MPU and SCB registers. The offset listed is a hexadecimal increment to the register's address, relative to the Core Peripherals base address of 0xE000.E000.

**Note:** Register spaces that are not used are reserved for future or internal use. Software should not modify any reserved memory address.

**Table 3-7. Peripherals Register Map**

| Offset   | Name      | Type | Reset       | Description                         | See page |
|--|-----------|------|-------------|-------------------------------------|----------|
| <b>System Timer (SysTick) Registers</b>                      |           |      |             |                                     |          |
| 0x010  | STCTRL    | R/W  | 0x0000.0000 | SysTick Control and Status Register | 92       |
| 0x014  | STRELOAD  | R/W  | 0x0000.0000 | SysTick Reload Value Register       | 94       |
| 0x018  | STCURRENT | R/WC | 0x0000.0000 | SysTick Current Value Register      | 95       |
| <b>Nested Vectored Interrupt Controller (NVIC) Registers</b> |           |      |             |                                     |          |
| 0x100  | EN0       | R/W  | 0x0000.0000 | Interrupt 0-29 Set Enable           | 96       |
| 0x180  | DIS0      | R/W  | 0x0000.0000 | Interrupt 0-29 Clear Enable         | 97       |
| 0x200  | PEND0     | R/W  | 0x0000.0000 | Interrupt 0-29 Set Pending          | 98       |
| 0x280  | UNPEND0   | R/W  | 0x0000.0000 | Interrupt 0-29 Clear Pending        | 99       |
| 0x300  | ACTIVE0   | RO   | 0x0000.0000 | Interrupt 0-29 Active Bit           | 100      |
| 0x400  | PRI0      | R/W  | 0x0000.0000 | Interrupt 0-3 Priority              | 101      |
| 0x404  | PRI1      | R/W  | 0x0000.0000 | Interrupt 4-7 Priority              | 101      |
| 0x408  | PRI2      | R/W  | 0x0000.0000 | Interrupt 8-11 Priority             | 101      |
| 0x40C  | PRI3      | R/W  | 0x0000.0000 | Interrupt 12-15 Priority            | 101      |
| 0x410  | PRI4      | R/W  | 0x0000.0000 | Interrupt 16-19 Priority            | 101      |
| 0x414  | PRI5      | R/W  | 0x0000.0000 | Interrupt 20-23 Priority            | 101      |
| 0x418  | PRI6      | R/W  | 0x0000.0000 | Interrupt 24-27 Priority            | 101      |
| 0x41C  | PRI7      | R/W  | 0x0000.0000 | Interrupt 28-29 Priority            | 101      |
| 0xF00  | SWTRIG    | WO   | 0x0000.0000 | Software Trigger Interrupt          | 103      |

Table 3-7. Peripherals Register Map (continued)

| Offset  | Name       | Type  | Reset       | Description                             | See page |
|---|------------|-------|-------------|---|----------|
| <b>System Control Block (SCB) Registers</b>   |            |       |             |   |          |
| 0xD00   | CPUID      | RO    | 0x410F.C231 | CPU ID Base                             | 104      |
| 0xD04   | INTCTRL    | R/W   | 0x0000.0000 | Interrupt Control and State             | 105      |
| 0xD08   | VTABLE     | R/W   | 0x0000.0000 | Vector Table Offset                     | 108      |
| 0xD0C   | APINT      | R/W   | 0xFA05.0000 | Application Interrupt and Reset Control | 109      |
| 0xD10   | SYSCTRL    | R/W   | 0x0000.0000 | System Control                          | 111      |
| 0xD14   | CFGCTRL    | R/W   | 0x0000.0000 | Configuration and Control               | 113      |
| 0xD18   | SYSPRI1    | R/W   | 0x0000.0000 | System Handler Priority 1               | 115      |
| 0xD1C   | SYSPRI2    | R/W   | 0x0000.0000 | System Handler Priority 2               | 116      |
| 0xD20   | SYSPRI3    | R/W   | 0x0000.0000 | System Handler Priority 3               | 117      |
| 0xD24   | SYSHNDCTRL | R/W   | 0x0000.0000 | System Handler Control and State        | 118      |
| 0xD28   | FAULTSTAT  | R/W1C | 0x0000.0000 | Configurable Fault Status               | 122      |
| 0xD2C   | HFAULTSTAT | R/W1C | 0x0000.0000 | Hard Fault Status                       | 128      |
| 0xD34   | MMADDR     | R/W   | -           | Memory Management Fault Address         | 129      |
| 0xD38   | FAULTADDR  | R/W   | -           | Bus Fault Address                       | 130      |
| <b>Memory Protection Unit (MPU) Registers</b> |            |       |             |   |          |
| 0xD90   | MPUTYPE    | RO    | 0x0000.0800 | MPU Type                                | 131      |
| 0xD94   | MPUCTRL    | R/W   | 0x0000.0000 | MPU Control                             | 132      |
| 0xD98   | MPUNUMBER  | R/W   | 0x0000.0000 | MPU Region Number                       | 134      |
| 0xD9C   | MPUBASE    | R/W   | 0x0000.0000 | MPU Region Base Address                 | 135      |
| 0xDA0   | MPUATTR    | R/W   | 0x0000.0000 | MPU Region Attribute and Size           | 137      |
| 0xDA4   | MPUBASE1   | R/W   | 0x0000.0000 | MPU Region Base Address Alias 1         | 135      |
| 0xDA8   | MPUATTR1   | R/W   | 0x0000.0000 | MPU Region Attribute and Size Alias 1   | 137      |
| 0xDAC   | MPUBASE2   | R/W   | 0x0000.0000 | MPU Region Base Address Alias 2         | 135      |
| 0xDB0   | MPUATTR2   | R/W   | 0x0000.0000 | MPU Region Attribute and Size Alias 2   | 137      |
| 0xDB4   | MPUBASE3   | R/W   | 0x0000.0000 | MPU Region Base Address Alias 3         | 135      |
| 0xDB8   | MPUATTR3   | R/W   | 0x0000.0000 | MPU Region Attribute and Size Alias 3   | 137      |

### 3.3 System Timer (SysTick) Register Descriptions

This section lists and describes the System Timer registers, in numerical order by address offset.

## Register 1: SysTick Control and Status Register (STCTRL), offset 0x010

**Note:** This register can only be accessed from privileged mode.

The SysTick **STCTRL** register enables the SysTick features.

### SysTick Control and Status Register (STCTRL)

Base 0xE000.E000

Offset 0x010

Type R/W, reset 0x0000.0000

|       |          |    |    |    |    |    |    |    |    |    |    |    |    |         |       |        |     |
|-------|----------|----|----|----|----|----|----|----|----|----|----|----|----|---------|-------|--------|-----|
|       | 31       | 30 | 29 | 28 | 27 | 26 | 25 | 24 | 23 | 22 | 21 | 20 | 19 | 18      | 17    | 16     |     |
|       | reserved |    |    |    |    |    |    |    |    |    |    |    |    |         |       | COUNT  |     |
| Type  | RO       | RO | RO | RO | RO | RO | RO | RO | RO | RO | RO | RO | RO | RO      | RO    | RO     |     |
| Reset | 0        | 0  | 0  | 0  | 0  | 0  | 0  | 0  | 0  | 0  | 0  | 0  | 0  | 0       | 0     | 0      |     |
|       | 15       | 14 | 13 | 12 | 11 | 10 | 9  | 8  | 7  | 6  | 5  | 4  | 3  | 2       | 1     | 0      |     |
|       | reserved |    |    |    |    |    |    |    |    |    |    |    |    | CLK_SRC | INTEN | ENABLE |     |
| Type  | RO       | RO | RO | RO | RO | RO | RO | RO | RO | RO | RO | RO | RO | RO      | R/W   | R/W    | R/W |
| Reset | 0        | 0  | 0  | 0  | 0  | 0  | 0  | 0  | 0  | 0  | 0  | 0  | 0  | 0       | 0     | 0      | 0   |

| Bit/Field | Name   | Type | Reset | Description  |       |             |   |  |   |   |
|-----------|--|------|-------|--|-------|-------------|---|--|---|---|
| 31:17     | reserved   | RO   | 0x000 | Software should not rely on the value of a reserved bit. To provide compatibility with future products, the value of a reserved bit should be preserved across a read-modify-write operation.  |       |             |   |  |   |   |
| 16        | COUNT  | RO   | 0     | Count Flag   |       |             |   |  |   |   |
|           |  |      |       | <table border="0"> <tr> <td>Value</td> <td>Description</td> </tr> <tr> <td>0</td> <td>The SysTick timer has not counted to 0 since the last time this bit was read.</td> </tr> <tr> <td>1</td> <td>The SysTick timer has counted to 0 since the last time this bit was read.</td> </tr> </table> <p>This bit is cleared by a read of the register or if the <b>STCURRENT</b> register is written with any value.</p> <p>If read by the debugger using the DAP, this bit is cleared only if the <b>MasterType</b> bit in the <b>AHB-AP Control Register</b> is clear. Otherwise, the <b>COUNT</b> bit is not changed by the debugger read. See the <i>ARM® Debug Interface V5 Architecture Specification</i> for more information on <b>MasterType</b>.</p> | Value | Description | 0 | The SysTick timer has not counted to 0 since the last time this bit was read.    | 1 | The SysTick timer has counted to 0 since the last time this bit was read. |
| Value     | Description  |      |       |  |       |             |   |  |   |   |
| 0         | The SysTick timer has not counted to 0 since the last time this bit was read.    |      |       |  |       |             |   |  |   |   |
| 1         | The SysTick timer has counted to 0 since the last time this bit was read.        |      |       |  |       |             |   |  |   |   |
| 15:3      | reserved   | RO   | 0x000 | Software should not rely on the value of a reserved bit. To provide compatibility with future products, the value of a reserved bit should be preserved across a read-modify-write operation.  |       |             |   |  |   |   |
| 2         | CLK_SRC  | R/W  | 0     | Clock Source   |       |             |   |  |   |   |
|           |  |      |       | <table border="0"> <tr> <td>Value</td> <td>Description</td> </tr> <tr> <td>0</td> <td>External reference clock. (Not implemented for most Stellaris microcontrollers.)</td> </tr> <tr> <td>1</td> <td>System clock</td> </tr> </table> <p>Because an external reference clock is not implemented, this bit must be set in order for SysTick to operate.</p>  | Value | Description | 0 | External reference clock. (Not implemented for most Stellaris microcontrollers.) | 1 | System clock  |
| Value     | Description  |      |       |  |       |             |   |  |   |   |
| 0         | External reference clock. (Not implemented for most Stellaris microcontrollers.) |      |       |  |       |             |   |  |   |   |
| 1         | System clock   |      |       |  |       |             |   |  |   |   |

| Bit/Field | Name   | Type | Reset | Description  |
|-----------|--------|------|-------|--|
| 1         | INTEN  | R/W  | 0     | Interrupt Enable<br><br>Value    Description<br>0        Interrupt generation is disabled. Software can use the <code>COUNT</code> bit to determine if the counter has ever reached 0.<br>1        An interrupt is generated to the NVIC when SysTick counts to 0.   |
| 0         | ENABLE | R/W  | 0     | Enable<br><br>Value    Description<br>0        The counter is disabled.<br>1        Enables SysTick to operate in a multi-shot way. That is, the counter loads the <code>RELOAD</code> value and begins counting down. On reaching 0, the <code>COUNT</code> bit is set and an interrupt is generated if enabled by <code>INTEN</code> . The counter then loads the <code>RELOAD</code> value again and begins counting. |

## Register 2: SysTick Reload Value Register (STRELOAD), offset 0x014

**Note:** This register can only be accessed from privileged mode.

The **STRELOAD** register specifies the start value to load into the **SysTick Current Value (STCURRENT)** register when the counter reaches 0. The start value can be between 0x1 and 0x00FF.FFFF. A start value of 0 is possible but has no effect because the SysTick interrupt and the **COUNT** bit are activated when counting from 1 to 0.

SysTick can be configured as a multi-shot timer, repeated over and over, firing every N+1 clock pulses, where N is any value from 1 to 0x00FF.FFFF. For example, if a tick interrupt is required every 100 clock pulses, 99 must be written into the **RELOAD** field.

### SysTick Reload Value Register (STRELOAD)

Base 0xE000.E000  
 Offset 0x014  
 Type R/W, reset 0x0000.0000

|       |          |     |     |     |     |     |     |     |        |     |     |     |     |     |     |     |
|-------|----------|-----|-----|-----|-----|-----|-----|-----|--------|-----|-----|-----|-----|-----|-----|-----|
|       | 31       | 30  | 29  | 28  | 27  | 26  | 25  | 24  | 23     | 22  | 21  | 20  | 19  | 18  | 17  | 16  |
|       | reserved |     |     |     |     |     |     |     | RELOAD |     |     |     |     |     |     |     |
| Type  | RO       | RO  | RO  | RO  | RO  | RO  | RO  | RO  | R/W    | R/W | R/W | R/W | R/W | R/W | R/W | R/W |
| Reset | 0        | 0   | 0   | 0   | 0   | 0   | 0   | 0   | 0      | 0   | 0   | 0   | 0   | 0   | 0   | 0   |
|       | 15       | 14  | 13  | 12  | 11  | 10  | 9   | 8   | 7      | 6   | 5   | 4   | 3   | 2   | 1   | 0   |
|       | RELOAD   |     |     |     |     |     |     |     |        |     |     |     |     |     |     |     |
| Type  | R/W      | R/W | R/W | R/W | R/W | R/W | R/W | R/W | R/W    | R/W | R/W | R/W | R/W | R/W | R/W | R/W |
| Reset | 0        | 0   | 0   | 0   | 0   | 0   | 0   | 0   | 0      | 0   | 0   | 0   | 0   | 0   | 0   | 0   |

| Bit/Field | Name     | Type | Reset     | Description   |
|-----------|----------|------|-----------|---|
| 31:24     | reserved | RO   | 0x00      | Software should not rely on the value of a reserved bit. To provide compatibility with future products, the value of a reserved bit should be preserved across a read-modify-write operation. |
| 23:0      | RELOAD   | R/W  | 0x00.0000 | Reload Value<br>Value to load into the <b>SysTick Current Value (STCURRENT)</b> register when the counter reaches 0.  |

### Register 3: SysTick Current Value Register (STCURRENT), offset 0x018

**Note:** This register can only be accessed from privileged mode.

The **STCURRENT** register contains the current value of the SysTick counter.

#### SysTick Current Value Register (STCURRENT)

Base 0xE000.E000

Offset 0x018

Type R/WC, reset 0x0000.0000

|       |          |      |      |      |      |      |      |      |         |      |      |      |      |      |      |      |
|-------|----------|------|------|------|------|------|------|------|---------|------|------|------|------|------|------|------|
|       | 31       | 30   | 29   | 28   | 27   | 26   | 25   | 24   | 23      | 22   | 21   | 20   | 19   | 18   | 17   | 16   |
|       | reserved |      |      |      |      |      |      |      | CURRENT |      |      |      |      |      |      |      |
| Type  | RO       | RO   | RO   | RO   | RO   | RO   | RO   | RO   | R/WC    | R/WC | R/WC | R/WC | R/WC | R/WC | R/WC | R/WC |
| Reset | 0        | 0    | 0    | 0    | 0    | 0    | 0    | 0    | 0       | 0    | 0    | 0    | 0    | 0    | 0    | 0    |
|       | 15       | 14   | 13   | 12   | 11   | 10   | 9    | 8    | 7       | 6    | 5    | 4    | 3    | 2    | 1    | 0    |
|       | CURRENT  |      |      |      |      |      |      |      |         |      |      |      |      |      |      |      |
| Type  | R/WC     | R/WC | R/WC | R/WC | R/WC | R/WC | R/WC | R/WC | R/WC    | R/WC | R/WC | R/WC | R/WC | R/WC | R/WC | R/WC |
| Reset | 0        | 0    | 0    | 0    | 0    | 0    | 0    | 0    | 0       | 0    | 0    | 0    | 0    | 0    | 0    | 0    |

| Bit/Field | Name     | Type | Reset     | Description  |
|-----------|----------|------|-----------|--|
| 31:24     | reserved | RO   | 0x00      | Software should not rely on the value of a reserved bit. To provide compatibility with future products, the value of a reserved bit should be preserved across a read-modify-write operation.  |
| 23:0      | CURRENT  | R/WC | 0x00.0000 | Current Value<br>This field contains the current value at the time the register is accessed. No read-modify-write protection is provided, so change with care.<br>This register is write-clear. Writing to it with any value clears the register. Clearing this register also clears the <b>COUNT</b> bit of the <b>STCTRL</b> register. |

## 3.4 NVIC Register Descriptions

This section lists and describes the NVIC registers, in numerical order by address offset.

The NVIC registers can only be fully accessed from privileged mode, but interrupts can be pended while in unprivileged mode by enabling the **Configuration and Control (CFGCTRL)** register. Any other unprivileged mode access causes a bus fault.

Ensure software uses correctly aligned register accesses. The processor does not support unaligned accesses to NVIC registers.

An interrupt can enter the pending state even if it is disabled.

Before programming the **VTABLE** register to relocate the vector table, ensure the vector table entries of the new vector table are set up for fault handlers, NMI, and all enabled exceptions such as interrupts. For more information, see page 108.

### Register 4: Interrupt 0-29 Set Enable (EN0), offset 0x100

**Note:** This register can only be accessed from privileged mode.

The **EN0** register enables interrupts and shows which interrupts are enabled. Bit 0 corresponds to Interrupt 0; bit 29 corresponds to Interrupt 29.

See Table 2-9 on page 70 for interrupt assignments.

If a pending interrupt is enabled, the NVIC activates the interrupt based on its priority. If an interrupt is not enabled, asserting its interrupt signal changes the interrupt state to pending, but the NVIC never activates the interrupt, regardless of its priority.

#### Interrupt 0-29 Set Enable (EN0)

Base 0xE000.E000  
 Offset 0x100  
 Type R/W, reset 0x0000.0000

|       |          |     |     |     |     |     |     |     |     |     |     |     |     |     |     |     |
|-------|----------|-----|-----|-----|-----|-----|-----|-----|-----|-----|-----|-----|-----|-----|-----|-----|
|       | 31       | 30  | 29  | 28  | 27  | 26  | 25  | 24  | 23  | 22  | 21  | 20  | 19  | 18  | 17  | 16  |
|       | reserved |     |     | INT |     |     |     |     |     |     |     |     |     |     |     |     |
| Type  | RO       | RO  | R/W | R/W | R/W | R/W | R/W | R/W | R/W | R/W | R/W | R/W | R/W | R/W | R/W | R/W |
| Reset | 0        | 0   | 0   | 0   | 0   | 0   | 0   | 0   | 0   | 0   | 0   | 0   | 0   | 0   | 0   | 0   |
|       | 15       | 14  | 13  | 12  | 11  | 10  | 9   | 8   | 7   | 6   | 5   | 4   | 3   | 2   | 1   | 0   |
|       | INT      |     |     |     |     |     |     |     |     |     |     |     |     |     |     |     |
| Type  | R/W      | R/W | R/W | R/W | R/W | R/W | R/W | R/W | R/W | R/W | R/W | R/W | R/W | R/W | R/W | R/W |
| Reset | 0        | 0   | 0   | 0   | 0   | 0   | 0   | 0   | 0   | 0   | 0   | 0   | 0   | 0   | 0   | 0   |

| Bit/Field | Name     | Type   | Reset      | Description   |
|-----------|----------|--|------------|---|
| 31:30     | reserved | RO   | 0x0        | Software should not rely on the value of a reserved bit. To provide compatibility with future products, the value of a reserved bit should be preserved across a read-modify-write operation. |
| 29:0      | INT      | R/W  | 0x000.0000 | Interrupt Enable  |
|           | Value    | Description  |            |   |
|           | 0        | On a read, indicates the interrupt is disabled.<br>On a write, no effect.            |            |   |
|           | 1        | On a read, indicates the interrupt is enabled.<br>On a write, enables the interrupt. |            |   |

A bit can only be cleared by setting the corresponding `INT[n]` bit in the **DISn** register.

**Register 5: Interrupt 0-29 Clear Enable (DIS0), offset 0x180**

**Note:** This register can only be accessed from privileged mode.

The **DIS0** register disables interrupts. Bit 0 corresponds to Interrupt 0; bit 29 corresponds to Interrupt 29.

See Table 2-9 on page 70 for interrupt assignments.

## Interrupt 0-29 Clear Enable (DIS0)

Base 0xE000.E000

Offset 0x180

Type R/W, reset 0x0000.0000

|       |          |     |     |     |     |     |     |     |     |     |     |     |     |     |     |     |
|-------|----------|-----|-----|-----|-----|-----|-----|-----|-----|-----|-----|-----|-----|-----|-----|-----|
|       | 31       | 30  | 29  | 28  | 27  | 26  | 25  | 24  | 23  | 22  | 21  | 20  | 19  | 18  | 17  | 16  |
|       | reserved |     | INT |     |     |     |     |     |     |     |     |     |     |     |     |     |
| Type  | RO       | RO  | R/W | R/W | R/W | R/W | R/W | R/W | R/W | R/W | R/W | R/W | R/W | R/W | R/W | R/W |
| Reset | 0        | 0   | 0   | 0   | 0   | 0   | 0   | 0   | 0   | 0   | 0   | 0   | 0   | 0   | 0   | 0   |
|       | 15       | 14  | 13  | 12  | 11  | 10  | 9   | 8   | 7   | 6   | 5   | 4   | 3   | 2   | 1   | 0   |
|       | INT      |     |     |     |     |     |     |     |     |     |     |     |     |     |     |     |
| Type  | R/W      | R/W | R/W | R/W | R/W | R/W | R/W | R/W | R/W | R/W | R/W | R/W | R/W | R/W | R/W | R/W |
| Reset | 0        | 0   | 0   | 0   | 0   | 0   | 0   | 0   | 0   | 0   | 0   | 0   | 0   | 0   | 0   | 0   |

| Bit/Field | Name     | Type | Reset      | Description   |
|-----------|----------|------|------------|---|
| 31:30     | reserved | RO   | 0x0        | Software should not rely on the value of a reserved bit. To provide compatibility with future products, the value of a reserved bit should be preserved across a read-modify-write operation. |
| 29:0      | INT      | R/W  | 0x000.0000 | Interrupt Disable   |
|           |          |      |            | Value Description   |
|           |          |      |            | 0 On a read, indicates the interrupt is disabled.<br>On a write, no effect.   |
|           |          |      |            | 1 On a read, indicates the interrupt is enabled.<br>On a write, clears the corresponding <code>INT[n]</code> bit in the <b>EN0</b> register, disabling interrupt [n].                         |

## Register 6: Interrupt 0-29 Set Pending (PEND0), offset 0x200

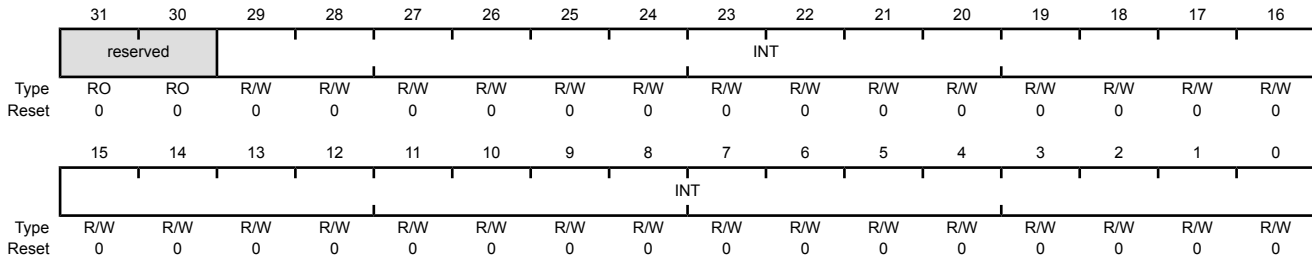
**Note:** This register can only be accessed from privileged mode.

The **PEND0** register forces interrupts into the pending state and shows which interrupts are pending. Bit 0 corresponds to Interrupt 0; bit 29 corresponds to Interrupt 29.

See Table 2-9 on page 70 for interrupt assignments.

### Interrupt 0-29 Set Pending (PEND0)

Base 0xE000.E000  
 Offset 0x200  
 Type R/W, reset 0x0000.0000



| Bit/Field | Name   | Type | Reset      | Description   |       |             |   |   |   |  |
|-----------|--|------|------------|---|-------|-------------|---|---|---|--|
| 31:30     | reserved   | RO   | 0x0        | Software should not rely on the value of a reserved bit. To provide compatibility with future products, the value of a reserved bit should be preserved across a read-modify-write operation.   |       |             |   |   |   |  |
| 29:0      | INT  | R/W  | 0x000.0000 | Interrupt Set Pending<br><br><table border="1"> <thead> <tr> <th>Value</th> <th>Description</th> </tr> </thead> <tbody> <tr> <td>0</td> <td>On a read, indicates that the interrupt is not pending.<br/>On a write, no effect.</td> </tr> <tr> <td>1</td> <td>On a read, indicates that the interrupt is pending.<br/>On a write, the corresponding interrupt is set to pending even if it is disabled.</td> </tr> </tbody> </table> <p>If the corresponding interrupt is already pending, setting a bit has no effect.<br/>                     A bit can only be cleared by setting the corresponding <code>INT[n]</code> bit in the <b>UNPEND0</b> register.</p> | Value | Description | 0 | On a read, indicates that the interrupt is not pending.<br>On a write, no effect. | 1 | On a read, indicates that the interrupt is pending.<br>On a write, the corresponding interrupt is set to pending even if it is disabled. |
| Value     | Description  |      |            |   |       |             |   |   |   |  |
| 0         | On a read, indicates that the interrupt is not pending.<br>On a write, no effect.  |      |            |   |       |             |   |   |   |  |
| 1         | On a read, indicates that the interrupt is pending.<br>On a write, the corresponding interrupt is set to pending even if it is disabled. |      |            |   |       |             |   |   |   |  |

## Register 7: Interrupt 0-29 Clear Pending (UNPEND0), offset 0x280

**Note:** This register can only be accessed from privileged mode.

The **UNPEND0** register shows which interrupts are pending and removes the pending state from interrupts. Bit 0 corresponds to Interrupt 0; bit 29 corresponds to Interrupt 29.

See Table 2-9 on page 70 for interrupt assignments.

### Interrupt 0-29 Clear Pending (UNPEND0)

Base 0xE000.E000  
Offset 0x280  
Type R/W, reset 0x0000.0000

|       |          |     |     |     |     |     |     |     |     |     |     |     |     |     |     |     |
|-------|----------|-----|-----|-----|-----|-----|-----|-----|-----|-----|-----|-----|-----|-----|-----|-----|
|       | 31       | 30  | 29  | 28  | 27  | 26  | 25  | 24  | 23  | 22  | 21  | 20  | 19  | 18  | 17  | 16  |
|       | reserved |     | INT |     |     |     |     |     |     |     |     |     |     |     |     |     |
| Type  | RO       | RO  | R/W | R/W | R/W | R/W | R/W | R/W | R/W | R/W | R/W | R/W | R/W | R/W | R/W | R/W |
| Reset | 0        | 0   | 0   | 0   | 0   | 0   | 0   | 0   | 0   | 0   | 0   | 0   | 0   | 0   | 0   | 0   |
|       | 15       | 14  | 13  | 12  | 11  | 10  | 9   | 8   | 7   | 6   | 5   | 4   | 3   | 2   | 1   | 0   |
|       | INT      |     |     |     |     |     |     |     |     |     |     |     |     |     |     |     |
| Type  | R/W      | R/W | R/W | R/W | R/W | R/W | R/W | R/W | R/W | R/W | R/W | R/W | R/W | R/W | R/W | R/W |
| Reset | 0        | 0   | 0   | 0   | 0   | 0   | 0   | 0   | 0   | 0   | 0   | 0   | 0   | 0   | 0   | 0   |

| Bit/Field | Name     | Type | Reset      | Description   |
|-----------|----------|------|------------|---|
| 31:30     | reserved | RO   | 0x0        | Software should not rely on the value of a reserved bit. To provide compatibility with future products, the value of a reserved bit should be preserved across a read-modify-write operation.   |
| 29:0      | INT      | R/W  | 0x000.0000 | Interrupt Clear Pending   |
|           |          |      |            | Value Description   |
|           |          |      | 0          | On a read, indicates that the interrupt is not pending.<br>On a write, no effect.   |
|           |          |      | 1          | On a read, indicates that the interrupt is pending.<br>On a write, clears the corresponding <code>INT[n]</code> bit in the <b>PEND0</b> register, so that interrupt [n] is no longer pending.<br>Setting a bit does not affect the active state of the corresponding interrupt. |

### Register 8: Interrupt 0-29 Active Bit (ACTIVE0), offset 0x300

**Note:** This register can only be accessed from privileged mode.

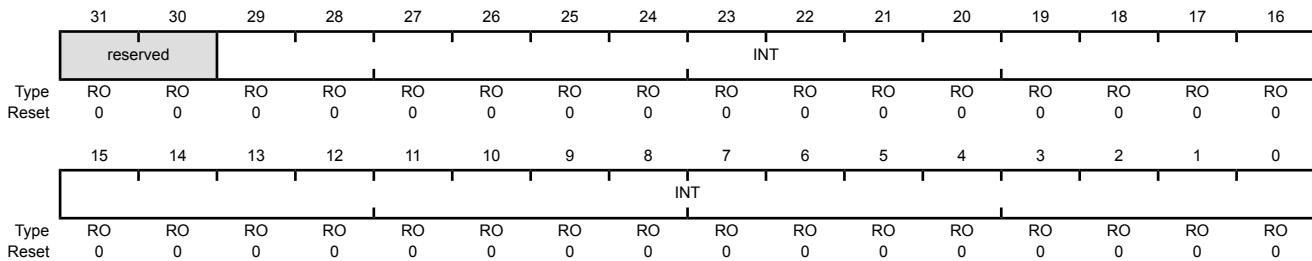
The **ACTIVE0** register indicates which interrupts are active. Bit 0 corresponds to Interrupt 0; bit 29 corresponds to Interrupt 29.

See Table 2-9 on page 70 for interrupt assignments.

**Caution – Do not manually set or clear the bits in this register.**

#### Interrupt 0-29 Active Bit (ACTIVE0)

Base 0xE000.E000  
 Offset 0x300  
 Type RO, reset 0x0000.0000



| Bit/Field | Name     | Type | Reset      | Description   |
|-----------|----------|------|------------|---|
| 31:30     | reserved | RO   | 0x0        | Software should not rely on the value of a reserved bit. To provide compatibility with future products, the value of a reserved bit should be preserved across a read-modify-write operation. |
| 29:0      | INT      | RO   | 0x000.0000 | Interrupt Active  |
|           |          |      |            | Value Description   |
|           |          |      |            | 0 The corresponding interrupt is not active.  |
|           |          |      |            | 1 The corresponding interrupt is active, or active and pending.   |

**Register 9: Interrupt 0-3 Priority (PRI0), offset 0x400**

**Register 10: Interrupt 4-7 Priority (PRI1), offset 0x404**

**Register 11: Interrupt 8-11 Priority (PRI2), offset 0x408**

**Register 12: Interrupt 12-15 Priority (PRI3), offset 0x40C**

**Register 13: Interrupt 16-19 Priority (PRI4), offset 0x410**

**Register 14: Interrupt 20-23 Priority (PRI5), offset 0x414**

**Register 15: Interrupt 24-27 Priority (PRI6), offset 0x418**

**Register 16: Interrupt 28-29 Priority (PRI7), offset 0x41C**

**Note:** This register can only be accessed from privileged mode.

The **PRIn** registers provide 3-bit priority fields for each interrupt. These registers are byte accessible. Each register holds four priority fields that are assigned to interrupts as follows:

| PRIn Register Bit Field | Interrupt        |
|-------------------------|------------------|
| Bits 31:29              | Interrupt [4n+3] |
| Bits 23:21              | Interrupt [4n+2] |
| Bits 15:13              | Interrupt [4n+1] |
| Bits 7:5                | Interrupt [4n]   |

See Table 2-9 on page 70 for interrupt assignments.

Each priority level can be split into separate group priority and subpriority fields. The **PRIGROUP** field in the **Application Interrupt and Reset Control (APINT)** register (see page 109) indicates the position of the binary point that splits the priority and subpriority fields.

These registers can only be accessed from privileged mode.

#### Interrupt 0-3 Priority (PRI0)

Base 0xE000.E000  
Offset 0x400  
Type R/W, reset 0x0000.0000

|       |      |     |     |          |    |    |    |      |     |     |          |    |    |    |    |    |
|-------|------|-----|-----|----------|----|----|----|------|-----|-----|----------|----|----|----|----|----|
|       | 31   | 30  | 29  | 28       | 27 | 26 | 25 | 24   | 23  | 22  | 21       | 20 | 19 | 18 | 17 | 16 |
|       | INTD |     |     | reserved |    |    |    | INTC |     |     | reserved |    |    |    |    |    |
| Type  | R/W  | R/W | R/W | RO       | RO | RO | RO | RO   | R/W | R/W | R/W      | RO | RO | RO | RO | RO |
| Reset | 0    | 0   | 0   | 0        | 0  | 0  | 0  | 0    | 0   | 0   | 0        | 0  | 0  | 0  | 0  | 0  |
|       | 15   | 14  | 13  | 12       | 11 | 10 | 9  | 8    | 7   | 6   | 5        | 4  | 3  | 2  | 1  | 0  |
|       | INTB |     |     | reserved |    |    |    | INTA |     |     | reserved |    |    |    |    |    |
| Type  | R/W  | R/W | R/W | RO       | RO | RO | RO | RO   | R/W | R/W | R/W      | RO | RO | RO | RO | RO |
| Reset | 0    | 0   | 0   | 0        | 0  | 0  | 0  | 0    | 0   | 0   | 0        | 0  | 0  | 0  | 0  | 0  |

| Bit/Field | Name | Type | Reset | Description   |
|-----------|------|------|-------|---|
| 31:29     | INTD | R/W  | 0x0   | Interrupt Priority for Interrupt [4n+3]<br>This field holds a priority value, 0-7, for the interrupt with the number [4n+3], where n is the number of the <b>Interrupt Priority</b> register (n=0 for <b>PRI0</b> , and so on). The lower the value, the greater the priority of the corresponding interrupt. |

| Bit/Field | Name     | Type | Reset | Description   |
|-----------|----------|------|-------|---|
| 28:24     | reserved | RO   | 0x0   | Software should not rely on the value of a reserved bit. To provide compatibility with future products, the value of a reserved bit should be preserved across a read-modify-write operation.   |
| 23:21     | INTC     | R/W  | 0x0   | Interrupt Priority for Interrupt [4n+2]<br>This field holds a priority value, 0-7, for the interrupt with the number [4n+2], where n is the number of the <b>Interrupt Priority</b> register (n=0 for <b>PRI0</b> , and so on). The lower the value, the greater the priority of the corresponding interrupt. |
| 20:16     | reserved | RO   | 0x0   | Software should not rely on the value of a reserved bit. To provide compatibility with future products, the value of a reserved bit should be preserved across a read-modify-write operation.   |
| 15:13     | INTB     | R/W  | 0x0   | Interrupt Priority for Interrupt [4n+1]<br>This field holds a priority value, 0-7, for the interrupt with the number [4n+1], where n is the number of the <b>Interrupt Priority</b> register (n=0 for <b>PRI0</b> , and so on). The lower the value, the greater the priority of the corresponding interrupt. |
| 12:8      | reserved | RO   | 0x0   | Software should not rely on the value of a reserved bit. To provide compatibility with future products, the value of a reserved bit should be preserved across a read-modify-write operation.   |
| 7:5       | INTA     | R/W  | 0x0   | Interrupt Priority for Interrupt [4n]<br>This field holds a priority value, 0-7, for the interrupt with the number [4n], where n is the number of the <b>Interrupt Priority</b> register (n=0 for <b>PRI0</b> , and so on). The lower the value, the greater the priority of the corresponding interrupt.     |
| 4:0       | reserved | RO   | 0x0   | Software should not rely on the value of a reserved bit. To provide compatibility with future products, the value of a reserved bit should be preserved across a read-modify-write operation.   |

## Register 17: Software Trigger Interrupt (SWTRIG), offset 0xF00

**Note:** Only privileged software can enable unprivileged access to the **SWTRIG** register.

Writing an interrupt number to the **SWTRIG** register generates a Software Generated Interrupt (SGI). See Table 2-9 on page 70 for interrupt assignments.

When the **MAINPEND** bit in the **Configuration and Control (CFGCTRL)** register (see page 113) is set, unprivileged software can access the **SWTRIG** register.

### Software Trigger Interrupt (SWTRIG)

Base 0xE000.E000  
Offset 0xF00  
Type WO, reset 0x0000.0000

|       |          |    |    |    |    |    |    |    |    |    |    |    |       |    |    |    |
|-------|----------|----|----|----|----|----|----|----|----|----|----|----|-------|----|----|----|
|       | 31       | 30 | 29 | 28 | 27 | 26 | 25 | 24 | 23 | 22 | 21 | 20 | 19    | 18 | 17 | 16 |
|       | reserved |    |    |    |    |    |    |    |    |    |    |    |       |    |    |    |
| Type  | RO       | RO | RO | RO | RO | RO | RO | RO | RO | RO | RO | RO | RO    | RO | RO | RO |
| Reset | 0        | 0  | 0  | 0  | 0  | 0  | 0  | 0  | 0  | 0  | 0  | 0  | 0     | 0  | 0  | 0  |
|       | 15       | 14 | 13 | 12 | 11 | 10 | 9  | 8  | 7  | 6  | 5  | 4  | 3     | 2  | 1  | 0  |
|       | reserved |    |    |    |    |    |    |    |    |    |    |    | INTID |    |    |    |
| Type  | RO       | RO | RO | RO | RO | RO | RO | RO | RO | RO | RO | RO | WO    | WO | WO | WO |
| Reset | 0        | 0  | 0  | 0  | 0  | 0  | 0  | 0  | 0  | 0  | 0  | 0  | 0     | 0  | 0  | 0  |

| Bit/Field | Name     | Type | Reset     | Description   |
|-----------|----------|------|-----------|---|
| 31:5      | reserved | RO   | 0x0000.00 | Software should not rely on the value of a reserved bit. To provide compatibility with future products, the value of a reserved bit should be preserved across a read-modify-write operation. |
| 4:0       | INTID    | WO   | 0x00      | Interrupt ID<br>This field holds the interrupt ID of the required SGI. For example, a value of 0x3 generates an interrupt on IRQ3.  |

## 3.5 System Control Block (SCB) Register Descriptions

This section lists and describes the System Control Block (SCB) registers, in numerical order by address offset. The SCB registers can only be accessed from privileged mode.

All registers must be accessed with aligned word accesses except for the **FAULTSTAT** and **SYSPRI1-SYSPRI3** registers, which can be accessed with byte or aligned halfword or word accesses. The processor does not support unaligned accesses to system control block registers.

**Register 18: CPU ID Base (CPUID), offset 0xD00**

**Note:** This register can only be accessed from privileged mode.

The **CPUID** register contains the ARM® Cortex™-M3 processor part number, version, and implementation information.

## CPU ID Base (CPUID)

Base 0xE000.E000

Offset 0xD00

Type RO, reset 0x410F.C231

|       |        |    |    |    |    |    |    |    |     |    |    |    |     |    |    |    |
|-------|--------|----|----|----|----|----|----|----|-----|----|----|----|-----|----|----|----|
|       | 31     | 30 | 29 | 28 | 27 | 26 | 25 | 24 | 23  | 22 | 21 | 20 | 19  | 18 | 17 | 16 |
|       | IMP    |    |    |    |    |    |    |    | VAR |    |    |    | CON |    |    |    |
| Type  | RO     | RO | RO | RO | RO | RO | RO | RO | RO  | RO | RO | RO | RO  | RO | RO | RO |
| Reset | 0      | 1  | 0  | 0  | 0  | 0  | 0  | 1  | 0   | 0  | 0  | 0  | 1   | 1  | 1  | 1  |
|       | 15     | 14 | 13 | 12 | 11 | 10 | 9  | 8  | 7   | 6  | 5  | 4  | 3   | 2  | 1  | 0  |
|       | PARTNO |    |    |    |    |    |    |    |     |    |    |    | REV |    |    |    |
| Type  | RO     | RO | RO | RO | RO | RO | RO | RO | RO  | RO | RO | RO | RO  | RO | RO | RO |
| Reset | 1      | 1  | 0  | 0  | 0  | 0  | 1  | 0  | 0   | 0  | 1  | 1  | 0   | 0  | 0  | 1  |

| Bit/Field | Name   | Type | Reset | Description  |
|-----------|--------|------|-------|--|
| 31:24     | IMP    | RO   | 0x41  | Implementer Code<br><br>Value Description<br>0x41 ARM  |
| 23:20     | VAR    | RO   | 0x0   | Variant Number<br><br>Value Description<br>0x0 The rn value in the mpn product revision identifier, for example, the 0 in r0p1.  |
| 19:16     | CON    | RO   | 0xF   | Constant<br><br>Value Description<br>0xF Always reads as 0xF.  |
| 15:4      | PARTNO | RO   | 0xC23 | Part Number<br><br>Value Description<br>0xC23 Cortex-M3 processor.   |
| 3:0       | REV    | RO   | 0x1   | Revision Number<br><br>Value Description<br>0x1 The pn value in the mpn product revision identifier, for example, the 1 in r0p1. |

## Register 19: Interrupt Control and State (INTCTRL), offset 0xD04

**Note:** This register can only be accessed from privileged mode.

The **INCTRL** register provides a set-pending bit for the NMI exception, and set-pending and clear-pending bits for the PendSV and SysTick exceptions. In addition, bits in this register indicate the exception number of the exception being processed, whether there are preempted active exceptions, the exception number of the highest priority pending exception, and whether any interrupts are pending.

When writing to **INCTRL**, the effect is unpredictable when writing a 1 to both the **PENDSV** and **UNPENDSV** bits, or writing a 1 to both the **PENDSTSET** and **PENDSTCLR** bits.

### Interrupt Control and State (INTCTRL)

Base 0xE000.E000

Offset 0xD04

Type R/W, reset 0x0000.0000

|       |         |          |    |        |          |           |           |          |        |         |          |    |    |         |    |    |
|-------|---------|----------|----|--------|----------|-----------|-----------|----------|--------|---------|----------|----|----|---------|----|----|
|       | 31      | 30       | 29 | 28     | 27       | 26        | 25        | 24       | 23     | 22      | 21       | 20 | 19 | 18      | 17 | 16 |
|       | NMISSET | reserved |    | PENDSV | UNPENDSV | PENDSTSET | PENDSTCLR | reserved | ISRPRE | ISRPEND | reserved |    |    | VECPEND |    |    |
| Type  | R/W     | RO       | RO | R/W    | WO       | R/W       | WO        | RO       | RO     | RO      | RO       | RO | RO | RO      | RO | RO |
| Reset | 0       | 0        | 0  | 0      | 0        | 0         | 0         | 0        | 0      | 0       | 0        | 0  | 0  | 0       | 0  | 0  |
|       | 15      | 14       | 13 | 12     | 11       | 10        | 9         | 8        | 7      | 6       | 5        | 4  | 3  | 2       | 1  | 0  |
|       | VECPEND |          |    |        | RETBASE  | reserved  |           |          |        |         | VECACT   |    |    |         |    |    |
| Type  | RO      | RO       | RO | RO     | RO       | RO        | RO        | RO       | RO     | RO      | RO       | RO | RO | RO      | RO | RO |
| Reset | 0       | 0        | 0  | 0      | 0        | 0         | 0         | 0        | 0      | 0       | 0        | 0  | 0  | 0       | 0  | 0  |

| Bit/Field | Name | Type | Reset | Description |
|-----------|------|------|-------|-------------|
|-----------|------|------|-------|-------------|

|    |         |     |   |                 |
|----|---------|-----|---|-----------------|
| 31 | NMISSET | R/W | 0 | NMI Set Pending |
|----|---------|-----|---|-----------------|

Value Description

0 On a read, indicates an NMI exception is not pending.  
On a write, no effect.

1 On a read, indicates an NMI exception is pending.  
On a write, changes the NMI exception state to pending.

Because NMI is the highest-priority exception, normally the processor enters the NMI exception handler as soon as it registers the setting of this bit, and clears this bit on entering the interrupt handler. A read of this bit by the NMI exception handler returns 1 only if the **NMI** signal is reasserted while the processor is executing that handler.

|       |          |    |     |   |
|-------|----------|----|-----|---|
| 30:29 | reserved | RO | 0x0 | Software should not rely on the value of a reserved bit. To provide compatibility with future products, the value of a reserved bit should be preserved across a read-modify-write operation. |
|-------|----------|----|-----|---|

|    |        |     |   |                    |
|----|--------|-----|---|--------------------|
| 28 | PENDSV | R/W | 0 | PendSV Set Pending |
|----|--------|-----|---|--------------------|

Value Description

0 On a read, indicates a PendSV exception is not pending.  
On a write, no effect.

1 On a read, indicates a PendSV exception is pending.  
On a write, changes the PendSV exception state to pending.

Setting this bit is the only way to set the PendSV exception state to pending. This bit is cleared by writing a 1 to the **UNPENDSV** bit.

| Bit/Field | Name      | Type | Reset | Description  |
|-----------|-----------|------|-------|--|
| 27        | UNPENDSV  | WO   | 0     | <p>PendSV Clear Pending</p> <p>Value Description</p> <p>0 On a write, no effect.</p> <p>1 On a write, removes the pending state from the PendSV exception.</p> <p>This bit is write only; on a register read, its value is unknown.</p>  |
| 26        | PENDSTSET | R/W  | 0     | <p>SysTick Set Pending</p> <p>Value Description</p> <p>0 On a read, indicates a SysTick exception is not pending.<br/>On a write, no effect.</p> <p>1 On a read, indicates a SysTick exception is pending.<br/>On a write, changes the SysTick exception state to pending.</p> <p>This bit is cleared by writing a 1 to the PENDSTCLR bit.</p> |
| 25        | PENDSTCLR | WO   | 0     | <p>SysTick Clear Pending</p> <p>Value Description</p> <p>0 On a write, no effect.</p> <p>1 On a write, removes the pending state from the SysTick exception.</p> <p>This bit is write only; on a register read, its value is unknown.</p>  |
| 24        | reserved  | RO   | 0     | Software should not rely on the value of a reserved bit. To provide compatibility with future products, the value of a reserved bit should be preserved across a read-modify-write operation.  |
| 23        | ISRPRE    | RO   | 0     | <p>Debug Interrupt Handling</p> <p>Value Description</p> <p>0 The release from halt does not take an interrupt.</p> <p>1 The release from halt takes an interrupt.</p> <p>This bit is only meaningful in Debug mode and reads as zero when the processor is not in Debug mode.</p>   |
| 22        | ISRPEND   | RO   | 0     | <p>Interrupt Pending</p> <p>Value Description</p> <p>0 No interrupt is pending.</p> <p>1 An interrupt is pending.</p> <p>This bit provides status for all interrupts excluding NMI and Faults.</p>   |
| 21:18     | reserved  | RO   | 0x0   | Software should not rely on the value of a reserved bit. To provide compatibility with future products, the value of a reserved bit should be preserved across a read-modify-write operation.  |

| Bit/Field | Name   | Type | Reset | Description  |       |             |      |   |      |  |      |     |      |            |      |                         |      |           |      |             |           |          |      |        |      |                    |      |          |      |        |      |         |      |                    |      |                    |     |     |      |                     |           |          |
|-----------|--|------|-------|--|-------|-------------|------|---|------|--|------|-----|------|------------|------|-------------------------|------|-----------|------|-------------|-----------|----------|------|--------|------|--------------------|------|----------|------|--------|------|---------|------|--------------------|------|--------------------|-----|-----|------|---------------------|-----------|----------|
| 17:12     | VECPEND  | RO   | 0x00  | <p>Interrupt Pending Vector Number</p> <p>This field contains the exception number of the highest priority pending enabled exception. The value indicated by this field includes the effect of the <b>BASEPRI</b> and <b>FAULTMASK</b> registers, but not any effect of the <b>PRIMASK</b> register.</p> <table border="1"> <thead> <tr> <th>Value</th> <th>Description</th> </tr> </thead> <tbody> <tr><td>0x00</td><td>No exceptions are pending</td></tr> <tr><td>0x01</td><td>Reserved</td></tr> <tr><td>0x02</td><td>NMI</td></tr> <tr><td>0x03</td><td>Hard fault</td></tr> <tr><td>0x04</td><td>Memory management fault</td></tr> <tr><td>0x05</td><td>Bus fault</td></tr> <tr><td>0x06</td><td>Usage fault</td></tr> <tr><td>0x07-0x0A</td><td>Reserved</td></tr> <tr><td>0x0B</td><td>SVCall</td></tr> <tr><td>0x0C</td><td>Reserved for Debug</td></tr> <tr><td>0x0D</td><td>Reserved</td></tr> <tr><td>0x0E</td><td>PendSV</td></tr> <tr><td>0x0F</td><td>SysTick</td></tr> <tr><td>0x10</td><td>Interrupt Vector 0</td></tr> <tr><td>0x11</td><td>Interrupt Vector 1</td></tr> <tr><td>...</td><td>...</td></tr> <tr><td>0x2D</td><td>Interrupt Vector 29</td></tr> <tr><td>0x2E-0x3F</td><td>Reserved</td></tr> </tbody> </table> | Value | Description | 0x00 | No exceptions are pending                         | 0x01 | Reserved   | 0x02 | NMI | 0x03 | Hard fault | 0x04 | Memory management fault | 0x05 | Bus fault | 0x06 | Usage fault | 0x07-0x0A | Reserved | 0x0B | SVCall | 0x0C | Reserved for Debug | 0x0D | Reserved | 0x0E | PendSV | 0x0F | SysTick | 0x10 | Interrupt Vector 0 | 0x11 | Interrupt Vector 1 | ... | ... | 0x2D | Interrupt Vector 29 | 0x2E-0x3F | Reserved |
| Value     | Description  |      |       |  |       |             |      |   |      |  |      |     |      |            |      |                         |      |           |      |             |           |          |      |        |      |                    |      |          |      |        |      |         |      |                    |      |                    |     |     |      |                     |           |          |
| 0x00      | No exceptions are pending  |      |       |  |       |             |      |   |      |  |      |     |      |            |      |                         |      |           |      |             |           |          |      |        |      |                    |      |          |      |        |      |         |      |                    |      |                    |     |     |      |                     |           |          |
| 0x01      | Reserved   |      |       |  |       |             |      |   |      |  |      |     |      |            |      |                         |      |           |      |             |           |          |      |        |      |                    |      |          |      |        |      |         |      |                    |      |                    |     |     |      |                     |           |          |
| 0x02      | NMI  |      |       |  |       |             |      |   |      |  |      |     |      |            |      |                         |      |           |      |             |           |          |      |        |      |                    |      |          |      |        |      |         |      |                    |      |                    |     |     |      |                     |           |          |
| 0x03      | Hard fault   |      |       |  |       |             |      |   |      |  |      |     |      |            |      |                         |      |           |      |             |           |          |      |        |      |                    |      |          |      |        |      |         |      |                    |      |                    |     |     |      |                     |           |          |
| 0x04      | Memory management fault  |      |       |  |       |             |      |   |      |  |      |     |      |            |      |                         |      |           |      |             |           |          |      |        |      |                    |      |          |      |        |      |         |      |                    |      |                    |     |     |      |                     |           |          |
| 0x05      | Bus fault  |      |       |  |       |             |      |   |      |  |      |     |      |            |      |                         |      |           |      |             |           |          |      |        |      |                    |      |          |      |        |      |         |      |                    |      |                    |     |     |      |                     |           |          |
| 0x06      | Usage fault  |      |       |  |       |             |      |   |      |  |      |     |      |            |      |                         |      |           |      |             |           |          |      |        |      |                    |      |          |      |        |      |         |      |                    |      |                    |     |     |      |                     |           |          |
| 0x07-0x0A | Reserved   |      |       |  |       |             |      |   |      |  |      |     |      |            |      |                         |      |           |      |             |           |          |      |        |      |                    |      |          |      |        |      |         |      |                    |      |                    |     |     |      |                     |           |          |
| 0x0B      | SVCall   |      |       |  |       |             |      |   |      |  |      |     |      |            |      |                         |      |           |      |             |           |          |      |        |      |                    |      |          |      |        |      |         |      |                    |      |                    |     |     |      |                     |           |          |
| 0x0C      | Reserved for Debug   |      |       |  |       |             |      |   |      |  |      |     |      |            |      |                         |      |           |      |             |           |          |      |        |      |                    |      |          |      |        |      |         |      |                    |      |                    |     |     |      |                     |           |          |
| 0x0D      | Reserved   |      |       |  |       |             |      |   |      |  |      |     |      |            |      |                         |      |           |      |             |           |          |      |        |      |                    |      |          |      |        |      |         |      |                    |      |                    |     |     |      |                     |           |          |
| 0x0E      | PendSV   |      |       |  |       |             |      |   |      |  |      |     |      |            |      |                         |      |           |      |             |           |          |      |        |      |                    |      |          |      |        |      |         |      |                    |      |                    |     |     |      |                     |           |          |
| 0x0F      | SysTick  |      |       |  |       |             |      |   |      |  |      |     |      |            |      |                         |      |           |      |             |           |          |      |        |      |                    |      |          |      |        |      |         |      |                    |      |                    |     |     |      |                     |           |          |
| 0x10      | Interrupt Vector 0   |      |       |  |       |             |      |   |      |  |      |     |      |            |      |                         |      |           |      |             |           |          |      |        |      |                    |      |          |      |        |      |         |      |                    |      |                    |     |     |      |                     |           |          |
| 0x11      | Interrupt Vector 1   |      |       |  |       |             |      |   |      |  |      |     |      |            |      |                         |      |           |      |             |           |          |      |        |      |                    |      |          |      |        |      |         |      |                    |      |                    |     |     |      |                     |           |          |
| ...       | ...  |      |       |  |       |             |      |   |      |  |      |     |      |            |      |                         |      |           |      |             |           |          |      |        |      |                    |      |          |      |        |      |         |      |                    |      |                    |     |     |      |                     |           |          |
| 0x2D      | Interrupt Vector 29  |      |       |  |       |             |      |   |      |  |      |     |      |            |      |                         |      |           |      |             |           |          |      |        |      |                    |      |          |      |        |      |         |      |                    |      |                    |     |     |      |                     |           |          |
| 0x2E-0x3F | Reserved   |      |       |  |       |             |      |   |      |  |      |     |      |            |      |                         |      |           |      |             |           |          |      |        |      |                    |      |          |      |        |      |         |      |                    |      |                    |     |     |      |                     |           |          |
| 11        | RETBASE  | RO   | 0     | <p>Return to Base</p> <table border="1"> <thead> <tr> <th>Value</th> <th>Description</th> </tr> </thead> <tbody> <tr><td>0</td><td>There are preempted active exceptions to execute.</td></tr> <tr><td>1</td><td>There are no active exceptions, or the currently executing exception is the only active exception.</td></tr> </tbody> </table> <p>This bit provides status for all interrupts excluding NMI and Faults. This bit only has meaning if the processor is currently executing an ISR (the <b>Interrupt Program Status (IPSR)</b> register is non-zero).</p>   | Value | Description | 0    | There are preempted active exceptions to execute. | 1    | There are no active exceptions, or the currently executing exception is the only active exception. |      |     |      |            |      |                         |      |           |      |             |           |          |      |        |      |                    |      |          |      |        |      |         |      |                    |      |                    |     |     |      |                     |           |          |
| Value     | Description  |      |       |  |       |             |      |   |      |  |      |     |      |            |      |                         |      |           |      |             |           |          |      |        |      |                    |      |          |      |        |      |         |      |                    |      |                    |     |     |      |                     |           |          |
| 0         | There are preempted active exceptions to execute.  |      |       |  |       |             |      |   |      |  |      |     |      |            |      |                         |      |           |      |             |           |          |      |        |      |                    |      |          |      |        |      |         |      |                    |      |                    |     |     |      |                     |           |          |
| 1         | There are no active exceptions, or the currently executing exception is the only active exception. |      |       |  |       |             |      |   |      |  |      |     |      |            |      |                         |      |           |      |             |           |          |      |        |      |                    |      |          |      |        |      |         |      |                    |      |                    |     |     |      |                     |           |          |
| 10:6      | reserved   | RO   | 0x0   | Software should not rely on the value of a reserved bit. To provide compatibility with future products, the value of a reserved bit should be preserved across a read-modify-write operation.  |       |             |      |   |      |  |      |     |      |            |      |                         |      |           |      |             |           |          |      |        |      |                    |      |          |      |        |      |         |      |                    |      |                    |     |     |      |                     |           |          |
| 5:0       | VECACT   | RO   | 0x00  | <p>Interrupt Pending Vector Number</p> <p>This field contains the active exception number. The exception numbers can be found in the description for the <b>VECPEND</b> field. If this field is clear, the processor is in Thread mode. This field contains the same value as the <b>ISRNUM</b> field in the <b>IPSR</b> register.</p> <p>Subtract 16 from this value to obtain the IRQ number required to index into the <b>Interrupt Set Enable (ENn)</b>, <b>Interrupt Clear Enable (DISn)</b>, <b>Interrupt Set Pending (PENDn)</b>, <b>Interrupt Clear Pending (UNPENDn)</b>, and <b>Interrupt Priority (PRIn)</b> registers (see page 51).</p>   |       |             |      |   |      |  |      |     |      |            |      |                         |      |           |      |             |           |          |      |        |      |                    |      |          |      |        |      |         |      |                    |      |                    |     |     |      |                     |           |          |

**Register 20: Vector Table Offset (VTABLE), offset 0xD08**

**Note:** This register can only be accessed from privileged mode.

The **VTABLE** register indicates the offset of the vector table base address from memory address 0x0000.0000.

## Vector Table Offset (VTABLE)

Base 0xE000.E000

Offset 0xD08

Type R/W, reset 0x0000.0000

|       |          |     |      |        |     |     |     |     |          |     |     |     |     |     |     |     |
|-------|----------|-----|------|--------|-----|-----|-----|-----|----------|-----|-----|-----|-----|-----|-----|-----|
|       | 31       | 30  | 29   | 28     | 27  | 26  | 25  | 24  | 23       | 22  | 21  | 20  | 19  | 18  | 17  | 16  |
|       | reserved |     | BASE | OFFSET |     |     |     |     |          |     |     |     |     |     |     |     |
| Type  | RO       | RO  | R/W  | R/W    | R/W | R/W | R/W | R/W | R/W      | R/W | R/W | R/W | R/W | R/W | R/W | R/W |
| Reset | 0        | 0   | 0    | 0      | 0   | 0   | 0   | 0   | 0        | 0   | 0   | 0   | 0   | 0   | 0   | 0   |
|       | 15       | 14  | 13   | 12     | 11  | 10  | 9   | 8   | 7        | 6   | 5   | 4   | 3   | 2   | 1   | 0   |
|       | OFFSET   |     |      |        |     |     |     |     | reserved |     |     |     |     |     |     |     |
| Type  | R/W      | R/W | R/W  | R/W    | R/W | R/W | R/W | R/W | RO       | RO  | RO  | RO  | RO  | RO  | RO  | RO  |
| Reset | 0        | 0   | 0    | 0      | 0   | 0   | 0   | 0   | 0        | 0   | 0   | 0   | 0   | 0   | 0   | 0   |

| Bit/Field | Name     | Type | Reset    | Description   |
|-----------|----------|------|----------|---|
| 31:30     | reserved | RO   | 0x0      | Software should not rely on the value of a reserved bit. To provide compatibility with future products, the value of a reserved bit should be preserved across a read-modify-write operation.   |
| 29        | BASE     | R/W  | 0        | Vector Table Base<br><br>Value Description<br>0 The vector table is in the code memory region.<br>1 The vector table is in the SRAM memory region.  |
| 28:8      | OFFSET   | R/W  | 0x000.00 | Vector Table Offset<br><br>When configuring the <i>OFFSET</i> field, the offset must be aligned to the number of exception entries in the vector table. Because there are 29 interrupts, the offset must be aligned on a 256-byte boundary. |
| 7:0       | reserved | RO   | 0x00     | Software should not rely on the value of a reserved bit. To provide compatibility with future products, the value of a reserved bit should be preserved across a read-modify-write operation.   |

## Register 21: Application Interrupt and Reset Control (APINT), offset 0xD0C

**Note:** This register can only be accessed from privileged mode.

The **APINT** register provides priority grouping control for the exception model, endian status for data accesses, and reset control of the system. To write to this register, 0x05FA must be written to the **VECTKEY** field, otherwise the write is ignored.

The **PRIGROUP** field indicates the position of the binary point that splits the **INTx** fields in the **Interrupt Priority (PRIx)** registers into separate group priority and subpriority fields. Table 3-8 on page 109 shows how the **PRIGROUP** value controls this split. The bit numbers in the Group Priority Field and Subpriority Field columns in the table refer to the bits in the **INTA** field. For the **INTB** field, the corresponding bits are 15:13; for **INTC**, 23:21; and for **INTD**, 31:29.

**Note:** Determining preemption of an exception uses only the group priority field.

**Table 3-8. Interrupt Priority Levels**

| PRIGROUP Bit Field | Binary Point <sup>a</sup> | Group Priority Field | Subpriority Field | Group Priorities | Subpriorities |
|--------------------|---------------------------|----------------------|-------------------|------------------|---------------|
| 0x0 - 0x4          | bxxx.                     | [7:5]                | None              | 8                | 1             |
| 0x5                | bxx.y                     | [7:6]                | [5]               | 4                | 2             |
| 0x6                | bx.yy                     | [7]                  | [6:5]             | 2                | 4             |
| 0x7                | b.yyy                     | None                 | [7:5]             | 1                | 8             |

a. **INTx** field showing the binary point. An x denotes a group priority field bit, and a y denotes a subpriority field bit.

### Application Interrupt and Reset Control (APINT)

Base 0xE000.E000

Offset 0xD0C

Type R/W, reset 0xFA05.0000

|       |           |          |     |     |     |          |     |     |     |          |     |     |     |           |           |           |
|-------|-----------|----------|-----|-----|-----|----------|-----|-----|-----|----------|-----|-----|-----|-----------|-----------|-----------|
|       | 31        | 30       | 29  | 28  | 27  | 26       | 25  | 24  | 23  | 22       | 21  | 20  | 19  | 18        | 17        | 16        |
|       | VECTKEY   |          |     |     |     |          |     |     |     |          |     |     |     |           |           |           |
| Type  | R/W       | R/W      | R/W | R/W | R/W | R/W      | R/W | R/W | R/W | R/W      | R/W | R/W | R/W | R/W       | R/W       | R/W       |
| Reset | 1         | 1        | 1   | 1   | 1   | 0        | 1   | 0   | 0   | 0        | 0   | 0   | 0   | 1         | 0         | 1         |
|       | 15        | 14       | 13  | 12  | 11  | 10       | 9   | 8   | 7   | 6        | 5   | 4   | 3   | 2         | 1         | 0         |
|       | ENDIANESS | reserved |     |     |     | PRIGROUP |     |     |     | reserved |     |     |     | SYSRESREQ | VECTLRACT | VECTRESET |
| Type  | RO        | RO       | RO  | RO  | RO  | R/W      | R/W | R/W | RO  | RO       | RO  | RO  | RO  | RO        | WO        | WO        |
| Reset | 0         | 0        | 0   | 0   | 0   | 0        | 0   | 0   | 0   | 0        | 0   | 0   | 0   | 0         | 0         | 0         |

| Bit/Field | Name      | Type | Reset  | Description   |
|-----------|-----------|------|--------|---|
| 31:16     | VECTKEY   | R/W  | 0xFA05 | Register Key<br>This field is used to guard against accidental writes to this register. 0x05FA must be written to this field in order to change the bits in this register. On a read, 0xFA05 is returned. |
| 15        | ENDIANESS | RO   | 0      | Data Endianess<br>The Stellaris implementation uses only little-endian mode so this is cleared to 0.  |
| 14:11     | reserved  | RO   | 0x0    | Software should not rely on the value of a reserved bit. To provide compatibility with future products, the value of a reserved bit should be preserved across a read-modify-write operation.             |

| Bit/Field | Name       | Type | Reset | Description  |
|-----------|------------|------|-------|--|
| 10:8      | PRIGROUP   | R/W  | 0x0   | Interrupt Priority Grouping<br>This field determines the split of group priority from subpriority (see Table 3-8 on page 109 for more information).  |
| 7:3       | reserved   | RO   | 0x0   | Software should not rely on the value of a reserved bit. To provide compatibility with future products, the value of a reserved bit should be preserved across a read-modify-write operation.                                    |
| 2         | SYSRESREQ  | WO   | 0     | System Reset Request<br><br>Value Description<br>0 No effect.<br>1 Resets the core and all on-chip peripherals except the Debug interface.<br><br>This bit is automatically cleared during the reset of the core and reads as 0. |
| 1         | VECTCLRACT | WO   | 0     | Clear Active NMI / Fault<br>This bit is reserved for Debug use and reads as 0. This bit must be written as a 0, otherwise behavior is unpredictable.   |
| 0         | VECTRESET  | WO   | 0     | System Reset<br>This bit is reserved for Debug use and reads as 0. This bit must be written as a 0, otherwise behavior is unpredictable.   |

**Register 22: System Control (SYSCTRL), offset 0xD10****Note:** This register can only be accessed from privileged mode.The **SYSCTRL** register controls features of entry to and exit from low-power state.

## System Control (SYSCTRL)

Base 0xE000.E000

Offset 0xD10

Type R/W, reset 0x0000.0000

|       |          |    |    |    |    |    |    |    |    |    |    |    |           |          |           |           |          |
|-------|----------|----|----|----|----|----|----|----|----|----|----|----|-----------|----------|-----------|-----------|----------|
|       | 31       | 30 | 29 | 28 | 27 | 26 | 25 | 24 | 23 | 22 | 21 | 20 | 19        | 18       | 17        | 16        |          |
|       | reserved |    |    |    |    |    |    |    |    |    |    |    |           |          |           |           |          |
| Type  | RO       | RO | RO | RO | RO | RO | RO | RO | RO | RO | RO | RO | RO        | RO       | RO        | RO        |          |
| Reset | 0        | 0  | 0  | 0  | 0  | 0  | 0  | 0  | 0  | 0  | 0  | 0  | 0         | 0        | 0         | 0         |          |
|       | 15       | 14 | 13 | 12 | 11 | 10 | 9  | 8  | 7  | 6  | 5  | 4  | 3         | 2        | 1         | 0         |          |
|       | reserved |    |    |    |    |    |    |    |    |    |    |    | SEVONPEND | reserved | SLEEPDEEP | SLEEPEXIT | reserved |
| Type  | RO       | RO | RO | RO | RO | RO | RO | RO | RO | RO | RO | RO | R/W       | RO       | R/W       | R/W       | RO       |
| Reset | 0        | 0  | 0  | 0  | 0  | 0  | 0  | 0  | 0  | 0  | 0  | 0  | 0         | 0        | 0         | 0         | 0        |

| Bit/Field | Name      | Type | Reset     | Description   |
|-----------|-----------|------|-----------|---|
| 31:5      | reserved  | RO   | 0x0000.00 | Software should not rely on the value of a reserved bit. To provide compatibility with future products, the value of a reserved bit should be preserved across a read-modify-write operation.   |
| 4         | SEVONPEND | R/W  | 0         | Wake Up on Pending<br><br>Value Description<br>0 Only enabled interrupts or events can wake up the processor; disabled interrupts are excluded.<br>1 Enabled events and all interrupts, including disabled interrupts, can wake up the processor.<br><br>When an event or interrupt enters the pending state, the event signal wakes up the processor from <i>WFE</i> . If the processor is not waiting for an event, the event is registered and affects the next <i>WFE</i> .<br>The processor also wakes up on execution of a <i>SEV</i> instruction or an external event. |
| 3         | reserved  | RO   | 0         | Software should not rely on the value of a reserved bit. To provide compatibility with future products, the value of a reserved bit should be preserved across a read-modify-write operation.   |
| 2         | SLEEPDEEP | R/W  | 0         | Deep Sleep Enable<br><br>Value Description<br>0 Use Sleep mode as the low power mode.<br>1 Use Deep-sleep mode as the low power mode.   |

| Bit/Field | Name      | Type | Reset | Description  |
|-----------|-----------|------|-------|--|
| 1         | SLEEPEXIT | R/W  | 0     | Sleep on ISR Exit<br><br>Value Description<br>0 When returning from Handler mode to Thread mode, do not sleep when returning to Thread mode.<br>1 When returning from Handler mode to Thread mode, enter sleep or deep sleep on return from an ISR.<br><br>Setting this bit enables an interrupt-driven application to avoid returning to an empty main application. |
| 0         | reserved  | RO   | 0     | Software should not rely on the value of a reserved bit. To provide compatibility with future products, the value of a reserved bit should be preserved across a read-modify-write operation.  |

**Register 23: Configuration and Control (CFGCTRL), offset 0xD14**

**Note:** This register can only be accessed from privileged mode.

The **CFGCTRL** register controls entry to Thread mode and enables: the handlers for NMI, hard fault and faults escalated by the **FAULTMASK** register to ignore bus faults; trapping of divide by zero and unaligned accesses; and access to the **SWTRIG** register by unprivileged software (see page 103).

## Configuration and Control (CFGCTRL)

Base 0xE000.E000

Offset 0xD14

Type R/W, reset 0x0000.0000

|       |          |    |    |    |    |    |          |           |          |    |    |     |      |           |          |          |         |
|-------|----------|----|----|----|----|----|----------|-----------|----------|----|----|-----|------|-----------|----------|----------|---------|
|       | 31       | 30 | 29 | 28 | 27 | 26 | 25       | 24        | 23       | 22 | 21 | 20  | 19   | 18        | 17       | 16       |         |
|       | reserved |    |    |    |    |    |          |           |          |    |    |     |      |           |          |          |         |
| Type  | RO       | RO | RO | RO | RO | RO | RO       | RO        | RO       | RO | RO | RO  | RO   | RO        | RO       | RO       |         |
| Reset | 0        | 0  | 0  | 0  | 0  | 0  | 0        | 0         | 0        | 0  | 0  | 0   | 0    | 0         | 0        | 0        |         |
|       | 15       | 14 | 13 | 12 | 11 | 10 | 9        | 8         | 7        | 6  | 5  | 4   | 3    | 2         | 1        | 0        |         |
|       | reserved |    |    |    |    |    | STKALIGN | BFHFNMIGN | reserved |    |    |     | DIV0 | UNALIGNED | reserved | MAINPEND | BASETHR |
| Type  | RO       | RO | RO | RO | RO | RO | R/W      | R/W       | RO       | RO | RO | R/W | R/W  | RO        | R/W      | R/W      |         |
| Reset | 0        | 0  | 0  | 0  | 0  | 0  | 0        | 0         | 0        | 0  | 0  | 0   | 0    | 0         | 0        | 0        |         |

| Bit/Field | Name      | Type | Reset     | Description  |
|-----------|-----------|------|-----------|--|
| 31:10     | reserved  | RO   | 0x0000.00 | Software should not rely on the value of a reserved bit. To provide compatibility with future products, the value of a reserved bit should be preserved across a read-modify-write operation.  |
| 9         | STKALIGN  | R/W  | 0         | Stack Alignment on Exception Entry<br><br>Value Description<br>0 The stack is 4-byte aligned.<br>1 The stack is 8-byte aligned.<br><br>On exception entry, the processor uses bit 9 of the stacked <b>PSR</b> to indicate the stack alignment. On return from the exception, it uses this stacked bit to restore the correct stack alignment.  |
| 8         | BFHFNMIGN | R/W  | 0         | Ignore Bus Fault in NMI and Fault<br><br>This bit enables handlers with priority -1 or -2 to ignore data bus faults caused by load and store instructions. The setting of this bit applies to the hard fault, NMI, and <b>FAULTMASK</b> escalated handlers.<br><br>Value Description<br>0 Data bus faults caused by load and store instructions cause a lock-up.<br>1 Handlers running at priority -1 and -2 ignore data bus faults caused by load and store instructions.<br><br>Set this bit only when the handler and its data are in absolutely safe memory. The normal use of this bit is to probe system devices and bridges to detect control path problems and fix them. |
| 7:5       | reserved  | RO   | 0x0       | Software should not rely on the value of a reserved bit. To provide compatibility with future products, the value of a reserved bit should be preserved across a read-modify-write operation.  |

| Bit/Field | Name      | Type | Reset | Description   |
|-----------|-----------|------|-------|---|
| 4         | DIV0      | R/W  | 0     | <p>Trap on Divide by 0</p> <p>This bit enables faulting or halting when the processor executes an <code>SDIV</code> or <code>UDIV</code> instruction with a divisor of 0.</p> <p>Value Description</p> <p>0 Do not trap on divide by 0. A divide by zero returns a quotient of 0.</p> <p>1 Trap on divide by 0.</p>   |
| 3         | UNALIGNED | R/W  | 0     | <p>Trap on Unaligned Access</p> <p>Value Description</p> <p>0 Do not trap on unaligned halfword and word accesses.</p> <p>1 Trap on unaligned halfword and word accesses. An unaligned access generates a usage fault.</p> <p>Unaligned <code>LDM</code>, <code>STM</code>, <code>LDRD</code>, and <code>STRD</code> instructions always fault regardless of whether <code>UNALIGNED</code> is set.</p> |
| 2         | reserved  | RO   | 0     | Software should not rely on the value of a reserved bit. To provide compatibility with future products, the value of a reserved bit should be preserved across a read-modify-write operation.   |
| 1         | MAINPEND  | R/W  | 0     | <p>Allow Main Interrupt Trigger</p> <p>Value Description</p> <p>0 Disables unprivileged software access to the <b>SWTRIG</b> register.</p> <p>1 Enables unprivileged software access to the <b>SWTRIG</b> register (see page 103).</p>  |
| 0         | BASETHR   | R/W  | 0     | <p>Thread State Control</p> <p>Value Description</p> <p>0 The processor can enter Thread mode only when no exception is active.</p> <p>1 The processor can enter Thread mode from any level under the control of an <code>EXC_RETURN</code> value (see "Exception Return" on page 74 for more information).</p>   |

**Register 24: System Handler Priority 1 (SYSPRI1), offset 0xD18**

**Note:** This register can only be accessed from privileged mode.

The **SYSPRI1** register configures the priority level, 0 to 7 of the usage fault, bus fault, and memory management fault exception handlers. This register is byte-accessible.

**System Handler Priority 1 (SYSPRI1)**

Base 0xE000.E000

Offset 0xD18

Type R/W, reset 0x0000.0000

|       |          |     |     |          |    |    |    |    |       |     |     |          |    |    |    |    |
|-------|----------|-----|-----|----------|----|----|----|----|-------|-----|-----|----------|----|----|----|----|
|       | 31       | 30  | 29  | 28       | 27 | 26 | 25 | 24 | 23    | 22  | 21  | 20       | 19 | 18 | 17 | 16 |
|       | reserved |     |     |          |    |    |    |    | USAGE |     |     | reserved |    |    |    |    |
| Type  | RO       | RO  | RO  | RO       | RO | RO | RO | RO | R/W   | R/W | R/W | RO       | RO | RO | RO | RO |
| Reset | 0        | 0   | 0   | 0        | 0  | 0  | 0  | 0  | 0     | 0   | 0   | 0        | 0  | 0  | 0  | 0  |
|       | 15       | 14  | 13  | 12       | 11 | 10 | 9  | 8  | 7     | 6   | 5   | 4        | 3  | 2  | 1  | 0  |
|       | BUS      |     |     | reserved |    |    |    |    | MEM   |     |     | reserved |    |    |    |    |
| Type  | R/W      | R/W | R/W | RO       | RO | RO | RO | RO | R/W   | R/W | R/W | RO       | RO | RO | RO | RO |
| Reset | 0        | 0   | 0   | 0        | 0  | 0  | 0  | 0  | 0     | 0   | 0   | 0        | 0  | 0  | 0  | 0  |

| Bit/Field | Name     | Type | Reset | Description   |
|-----------|----------|------|-------|---|
| 31:24     | reserved | RO   | 0x00  | Software should not rely on the value of a reserved bit. To provide compatibility with future products, the value of a reserved bit should be preserved across a read-modify-write operation.             |
| 23:21     | USAGE    | R/W  | 0x0   | Usage Fault Priority<br>This field configures the priority level of the usage fault. Configurable priority values are in the range 0-7, with lower values having higher priority.                         |
| 20:16     | reserved | RO   | 0x0   | Software should not rely on the value of a reserved bit. To provide compatibility with future products, the value of a reserved bit should be preserved across a read-modify-write operation.             |
| 15:13     | BUS      | R/W  | 0x0   | Bus Fault Priority<br>This field configures the priority level of the bus fault. Configurable priority values are in the range 0-7, with lower values having higher priority.                             |
| 12:8      | reserved | RO   | 0x0   | Software should not rely on the value of a reserved bit. To provide compatibility with future products, the value of a reserved bit should be preserved across a read-modify-write operation.             |
| 7:5       | MEM      | R/W  | 0x0   | Memory Management Fault Priority<br>This field configures the priority level of the memory management fault. Configurable priority values are in the range 0-7, with lower values having higher priority. |
| 4:0       | reserved | RO   | 0x0   | Software should not rely on the value of a reserved bit. To provide compatibility with future products, the value of a reserved bit should be preserved across a read-modify-write operation.             |

### Register 25: System Handler Priority 2 (SYSPRI2), offset 0xD1C

**Note:** This register can only be accessed from privileged mode.

The **SYSPRI2** register configures the priority level, 0 to 7 of the SVCcall handler. This register is byte-accessible.

#### System Handler Priority 2 (SYSPRI2)

Base 0xE000.E000  
 Offset 0xD1C  
 Type R/W, reset 0x0000.0000

|       |          |     |     |          |    |    |    |    |    |    |    |    |    |    |    |    |
|-------|----------|-----|-----|----------|----|----|----|----|----|----|----|----|----|----|----|----|
|       | 31       | 30  | 29  | 28       | 27 | 26 | 25 | 24 | 23 | 22 | 21 | 20 | 19 | 18 | 17 | 16 |
|       | SVC      |     |     | reserved |    |    |    |    |    |    |    |    |    |    |    |    |
| Type  | R/W      | R/W | R/W | RO       | RO | RO | RO | RO | RO | RO | RO | RO | RO | RO | RO | RO |
| Reset | 0        | 0   | 0   | 0        | 0  | 0  | 0  | 0  | 0  | 0  | 0  | 0  | 0  | 0  | 0  | 0  |
|       | 15       | 14  | 13  | 12       | 11 | 10 | 9  | 8  | 7  | 6  | 5  | 4  | 3  | 2  | 1  | 0  |
|       | reserved |     |     |          |    |    |    |    |    |    |    |    |    |    |    |    |
| Type  | RO       | RO  | RO  | RO       | RO | RO | RO | RO | RO | RO | RO | RO | RO | RO | RO | RO |
| Reset | 0        | 0   | 0   | 0        | 0  | 0  | 0  | 0  | 0  | 0  | 0  | 0  | 0  | 0  | 0  | 0  |

| Bit/Field | Name     | Type | Reset      | Description   |
|-----------|----------|------|------------|---|
| 31:29     | SVC      | R/W  | 0x0        | SVCcall Priority<br>This field configures the priority level of SVCcall. Configurable priority values are in the range 0-7, with lower values having higher priority.                         |
| 28:0      | reserved | RO   | 0x000.0000 | Software should not rely on the value of a reserved bit. To provide compatibility with future products, the value of a reserved bit should be preserved across a read-modify-write operation. |

**Register 26: System Handler Priority 3 (SYSPRI3), offset 0xD20**

**Note:** This register can only be accessed from privileged mode.

The **SYSPRI3** register configures the priority level, 0 to 7 of the SysTick exception and PendSV handlers. This register is byte-accessible.

## System Handler Priority 3 (SYSPRI3)

Base 0xE000.E000

Offset 0xD20

Type R/W, reset 0x0000.0000

|       |          |     |     |          |    |    |    |    |        |     |     |          |    |    |    |    |
|-------|----------|-----|-----|----------|----|----|----|----|--------|-----|-----|----------|----|----|----|----|
|       | 31       | 30  | 29  | 28       | 27 | 26 | 25 | 24 | 23     | 22  | 21  | 20       | 19 | 18 | 17 | 16 |
|       | TICK     |     |     | reserved |    |    |    |    | PENDSV |     |     | reserved |    |    |    |    |
| Type  | R/W      | R/W | R/W | RO       | RO | RO | RO | RO | R/W    | R/W | R/W | RO       | RO | RO | RO | RO |
| Reset | 0        | 0   | 0   | 0        | 0  | 0  | 0  | 0  | 0      | 0   | 0   | 0        | 0  | 0  | 0  | 0  |
|       | 15       | 14  | 13  | 12       | 11 | 10 | 9  | 8  | 7      | 6   | 5   | 4        | 3  | 2  | 1  | 0  |
|       | reserved |     |     |          |    |    |    |    | DEBUG  |     |     | reserved |    |    |    |    |
| Type  | RO       | RO  | RO  | RO       | RO | RO | RO | RO | R/W    | R/W | R/W | RO       | RO | RO | RO | RO |
| Reset | 0        | 0   | 0   | 0        | 0  | 0  | 0  | 0  | 0      | 0   | 0   | 0        | 0  | 0  | 0  | 0  |

| Bit/Field | Name     | Type | Reset    | Description   |
|-----------|----------|------|----------|---|
| 31:29     | TICK     | R/W  | 0x0      | SysTick Exception Priority<br>This field configures the priority level of the SysTick exception. Configurable priority values are in the range 0-7, with lower values having higher priority. |
| 28:24     | reserved | RO   | 0x0      | Software should not rely on the value of a reserved bit. To provide compatibility with future products, the value of a reserved bit should be preserved across a read-modify-write operation. |
| 23:21     | PENDSV   | R/W  | 0x0      | PendSV Priority<br>This field configures the priority level of PendSV. Configurable priority values are in the range 0-7, with lower values having higher priority.                           |
| 20:8      | reserved | RO   | 0x000    | Software should not rely on the value of a reserved bit. To provide compatibility with future products, the value of a reserved bit should be preserved across a read-modify-write operation. |
| 7:5       | DEBUG    | R/W  | 0x0      | Debug Priority<br>This field configures the priority level of Debug. Configurable priority values are in the range 0-7, with lower values having higher priority.                             |
| 4:0       | reserved | RO   | 0x0.0000 | Software should not rely on the value of a reserved bit. To provide compatibility with future products, the value of a reserved bit should be preserved across a read-modify-write operation. |

**Register 27: System Handler Control and State (SYSHNDCTRL), offset 0xD24**

**Note:** This register can only be accessed from privileged mode.

The **SYSHNDCTRL** register enables the system handlers, and indicates the pending status of the usage fault, bus fault, memory management fault, and SVC exceptions as well as the active status of the system handlers.

If a system handler is disabled and the corresponding fault occurs, the processor treats the fault as a hard fault.

This register can be modified to change the pending or active status of system exceptions. An OS kernel can write to the active bits to perform a context switch that changes the current exception type.

**Caution – Software that changes the value of an active bit in this register without correct adjustment to the stacked content can cause the processor to generate a fault exception. Ensure software that writes to this register retains and subsequently restores the current active status.**

**If the value of a bit in this register must be modified after enabling the system handlers, a read-modify-write procedure must be used to ensure that only the required bit is modified.**

## System Handler Control and State (SYSHNDCTRL)

Base 0xE000.E000

Offset 0xD24

Type R/W, reset 0x0000.0000

|       |          |      |      |        |      |       |          |     |      |          |    |    |      |          |      |      |
|-------|----------|------|------|--------|------|-------|----------|-----|------|----------|----|----|------|----------|------|------|
|       | 31       | 30   | 29   | 28     | 27   | 26    | 25       | 24  | 23   | 22       | 21 | 20 | 19   | 18       | 17   | 16   |
|       | reserved |      |      |        |      |       |          |     |      |          |    |    |      | USAGE    | BUS  | MEM  |
| Type  | RO       | RO   | RO   | RO     | RO   | RO    | RO       | RO  | RO   | RO       | RO | RO | RO   | R/W      | R/W  | R/W  |
| Reset | 0        | 0    | 0    | 0      | 0    | 0     | 0        | 0   | 0    | 0        | 0  | 0  | 0    | 0        | 0    | 0    |
|       | 15       | 14   | 13   | 12     | 11   | 10    | 9        | 8   | 7    | 6        | 5  | 4  | 3    | 2        | 1    | 0    |
|       | SVC      | BUSP | MEMP | USAGEP | TICK | PNDSV | reserved | MON | SVCA | reserved |    |    | USGA | reserved | BUSA | MEMA |
| Type  | R/W      | R/W  | R/W  | R/W    | R/W  | R/W   | RO       | R/W | R/W  | RO       | RO | RO | R/W  | RO       | R/W  | R/W  |
| Reset | 0        | 0    | 0    | 0      | 0    | 0     | 0        | 0   | 0    | 0        | 0  | 0  | 0    | 0        | 0    | 0    |

| Bit/Field | Name     | Type | Reset | Description   |
|-----------|----------|------|-------|---|
| 31:19     | reserved | RO   | 0x000 | Software should not rely on the value of a reserved bit. To provide compatibility with future products, the value of a reserved bit should be preserved across a read-modify-write operation. |
| 18        | USAGE    | R/W  | 0     | Usage Fault Enable<br><br>Value Description<br>0 Disables the usage fault exception.<br>1 Enables the usage fault exception.  |
| 17        | BUS      | R/W  | 0     | Bus Fault Enable<br><br>Value Description<br>0 Disables the bus fault exception.<br>1 Enables the bus fault exception.  |

| Bit/Field | Name   | Type | Reset | Description  |
|-----------|--------|------|-------|--|
| 16        | MEM    | R/W  | 0     | <p>Memory Management Fault Enable</p> <p>Value Description</p> <p>0 Disables the memory management fault exception.</p> <p>1 Enables the memory management fault exception.</p>  |
| 15        | SVC    | R/W  | 0     | <p>SVC Call Pending</p> <p>Value Description</p> <p>0 An SVC call exception is not pending.</p> <p>1 An SVC call exception is pending.</p> <p>This bit can be modified to change the pending status of the SVC call exception.</p>   |
| 14        | BUSP   | R/W  | 0     | <p>Bus Fault Pending</p> <p>Value Description</p> <p>0 A bus fault exception is not pending.</p> <p>1 A bus fault exception is pending.</p> <p>This bit can be modified to change the pending status of the bus fault exception.</p>   |
| 13        | MEMP   | R/W  | 0     | <p>Memory Management Fault Pending</p> <p>Value Description</p> <p>0 A memory management fault exception is not pending.</p> <p>1 A memory management fault exception is pending.</p> <p>This bit can be modified to change the pending status of the memory management fault exception.</p> |
| 12        | USAGEP | R/W  | 0     | <p>Usage Fault Pending</p> <p>Value Description</p> <p>0 A usage fault exception is not pending.</p> <p>1 A usage fault exception is pending.</p> <p>This bit can be modified to change the pending status of the usage fault exception.</p>   |
| 11        | TICK   | R/W  | 0     | <p>SysTick Exception Active</p> <p>Value Description</p> <p>0 A SysTick exception is not active.</p> <p>1 A SysTick exception is active.</p> <p>This bit can be modified to change the active status of the SysTick exception, however, see the Caution above before setting this bit.</p>   |

| Bit/Field | Name     | Type | Reset | Description  |
|-----------|----------|------|-------|--|
| 10        | PND SV   | R/W  | 0     | <p>PendSV Exception Active</p> <p>Value Description</p> <p>0 A PendSV exception is not active.</p> <p>1 A PendSV exception is active.</p> <p>This bit can be modified to change the active status of the PendSV exception, however, see the Caution above before setting this bit.</p> |
| 9         | reserved | RO   | 0     | Software should not rely on the value of a reserved bit. To provide compatibility with future products, the value of a reserved bit should be preserved across a read-modify-write operation.  |
| 8         | MON      | R/W  | 0     | <p>Debug Monitor Active</p> <p>Value Description</p> <p>0 The Debug monitor is not active.</p> <p>1 The Debug monitor is active.</p>   |
| 7         | SVCA     | R/W  | 0     | <p>SVC Call Active</p> <p>Value Description</p> <p>0 SVC call is not active.</p> <p>1 SVC call is active.</p> <p>This bit can be modified to change the active status of the SVC call exception, however, see the Caution above before setting this bit.</p>                           |
| 6:4       | reserved | RO   | 0x0   | Software should not rely on the value of a reserved bit. To provide compatibility with future products, the value of a reserved bit should be preserved across a read-modify-write operation.  |
| 3         | USGA     | R/W  | 0     | <p>Usage Fault Active</p> <p>Value Description</p> <p>0 Usage fault is not active.</p> <p>1 Usage fault is active.</p> <p>This bit can be modified to change the active status of the usage fault exception, however, see the Caution above before setting this bit.</p>               |
| 2         | reserved | RO   | 0     | Software should not rely on the value of a reserved bit. To provide compatibility with future products, the value of a reserved bit should be preserved across a read-modify-write operation.  |
| 1         | BUSA     | R/W  | 0     | <p>Bus Fault Active</p> <p>Value Description</p> <p>0 Bus fault is not active.</p> <p>1 Bus fault is active.</p> <p>This bit can be modified to change the active status of the bus fault exception, however, see the Caution above before setting this bit.</p>                       |

---

| Bit/Field | Name | Type | Reset | Description  |
|-----------|------|------|-------|--|
| 0         | MEMA | R/W  | 0     | Memory Management Fault Active   |
|           |      |      |       | Value Description  |
|           |      |      |       | 0 Memory management fault is not active.   |
|           |      |      |       | 1 Memory management fault is active.   |
|           |      |      |       | This bit can be modified to change the active status of the memory management fault exception, however, see the Caution above before setting this bit. |

## Register 28: Configurable Fault Status (FAULTSTAT), offset 0xD28

**Note:** This register can only be accessed from privileged mode.

The **FAULTSTAT** register indicates the cause of a memory management fault, bus fault, or usage fault. Each of these functions is assigned to a subregister as follows:

- **Usage Fault Status (UFAULTSTAT)**, bits 31:16
- **Bus Fault Status (BFAULTSTAT)**, bits 15:8
- **Memory Management Fault Status (MFAULTSTAT)**, bits 7:0

**FAULTSTAT** is byte accessible. **FAULTSTAT** or its subregisters can be accessed as follows:

- The complete **FAULTSTAT** register, with a word access to offset 0xD28
- The **MFAULTSTAT**, with a byte access to offset 0xD28
- The **MFAULTSTAT** and **BFAULTSTAT**, with a halfword access to offset 0xD28
- The **BFAULTSTAT**, with a byte access to offset 0xD29
- The **UFAULTSTAT**, with a halfword access to offset 0xD2A

Bits are cleared by writing a 1 to them.

In a fault handler, the true faulting address can be determined by:

1. Read and save the **Memory Management Fault Address (MMADDR)** or **Bus Fault Address (FAULTADDR)** value.
2. Read the **MMARV** bit in **MFAULTSTAT**, or the **BFARV** bit in **BFAULTSTAT** to determine if the **MMADDR** or **FAULTADDR** contents are valid.

Software must follow this sequence because another higher priority exception might change the **MMADDR** or **FAULTADDR** value. For example, if a higher priority handler preempts the current fault handler, the other fault might change the **MMADDR** or **FAULTADDR** value.

### Configurable Fault Status (FAULTSTAT)

Base 0xE000.E000

Offset 0xD28

Type R/W1C, reset 0x0000.0000

|       |          |          |    |       |        |       |         |         |          |          |    |       |        |          |         |       |
|-------|----------|----------|----|-------|--------|-------|---------|---------|----------|----------|----|-------|--------|----------|---------|-------|
|       | 31       | 30       | 29 | 28    | 27     | 26    | 25      | 24      | 23       | 22       | 21 | 20    | 19     | 18       | 17      | 16    |
|       | reserved |          |    |       |        |       | DIV0    | UNALIGN | reserved |          |    |       | NOCP   | INVPC    | INVSTAT | UNDEF |
| Type  | RO       | RO       | RO | RO    | RO     | RO    | R/W1C   | R/W1C   | RO       | RO       | RO | RO    | R/W1C  | R/W1C    | R/W1C   | R/W1C |
| Reset | 0        | 0        | 0  | 0     | 0      | 0     | 0       | 0       | 0        | 0        | 0  | 0     | 0      | 0        | 0       | 0     |
|       | 15       | 14       | 13 | 12    | 11     | 10    | 9       | 8       | 7        | 6        | 5  | 4     | 3      | 2        | 1       | 0     |
|       | BFARV    | reserved |    | BSTKE | BUSTKE | IMPRE | PRECISE | IBUS    | MMARV    | reserved |    | MSTKE | MUSTKE | reserved | DERR    | IERR  |
| Type  | R/W1C    | RO       | RO | R/W1C | R/W1C  | R/W1C | R/W1C   | R/W1C   | R/W1C    | RO       | RO | R/W1C | R/W1C  | RO       | R/W1C   | R/W1C |
| Reset | 0        | 0        | 0  | 0     | 0      | 0     | 0       | 0       | 0        | 0        | 0  | 0     | 0      | 0        | 0       | 0     |

| Bit/Field | Name     | Type | Reset | Description   |
|-----------|----------|------|-------|---|
| 31:26     | reserved | RO   | 0x00  | Software should not rely on the value of a reserved bit. To provide compatibility with future products, the value of a reserved bit should be preserved across a read-modify-write operation. |

| Bit/Field | Name     | Type  | Reset | Description   |
|-----------|----------|-------|-------|---|
| 25        | DIV0     | R/W1C | 0     | <p>Divide-by-Zero Usage Fault</p> <p>Value Description</p> <p>0 No divide-by-zero fault has occurred, or divide-by-zero trapping is not enabled.</p> <p>1 The processor has executed an SDIV or UDIV instruction with a divisor of 0.</p> <p>When this bit is set, the <b>PC</b> value stacked for the exception return points to the instruction that performed the divide by zero.</p> <p>Trapping on divide-by-zero is enabled by setting the DIV0 bit in the <b>Configuration and Control (CFGCTRL)</b> register (see page 113).</p> <p>This bit is cleared by writing a 1 to it.</p> |
| 24        | UNALIGN  | R/W1C | 0     | <p>Unaligned Access Usage Fault</p> <p>Value Description</p> <p>0 No unaligned access fault has occurred, or unaligned access trapping is not enabled.</p> <p>1 The processor has made an unaligned memory access.</p> <p>Unaligned LDM, STM, LDRD, and STRD instructions always fault regardless of the configuration of this bit.</p> <p>Trapping on unaligned access is enabled by setting the UNALIGNED bit in the <b>CFGCTRL</b> register (see page 113).</p> <p>This bit is cleared by writing a 1 to it.</p>   |
| 23:20     | reserved | RO    | 0x00  | Software should not rely on the value of a reserved bit. To provide compatibility with future products, the value of a reserved bit should be preserved across a read-modify-write operation.   |
| 19        | NOCP     | R/W1C | 0     | <p>No Coprocessor Usage Fault</p> <p>Value Description</p> <p>0 A usage fault has not been caused by attempting to access a coprocessor.</p> <p>1 The processor has attempted to access a coprocessor.</p> <p>This bit is cleared by writing a 1 to it.</p>   |
| 18        | INVPC    | R/W1C | 0     | <p>Invalid PC Load Usage Fault</p> <p>Value Description</p> <p>0 A usage fault has not been caused by attempting to load an invalid <b>PC</b> value.</p> <p>1 The processor has attempted an illegal load of EXC_RETURN to the <b>PC</b> as a result of an invalid context or an invalid EXC_RETURN value.</p> <p>When this bit is set, the <b>PC</b> value stacked for the exception return points to the instruction that tried to perform the illegal load of the <b>PC</b>.</p> <p>This bit is cleared by writing a 1 to it.</p>  |

| Bit/Field | Name     | Type  | Reset | Description   |
|-----------|----------|-------|-------|---|
| 17        | INVSTAT  | R/W1C | 0     | <p>Invalid State Usage Fault</p> <p>Value Description</p> <p>0 A usage fault has not been caused by an invalid state.</p> <p>1 The processor has attempted to execute an instruction that makes illegal use of the <b>EPSR</b> register.</p> <p>When this bit is set, the <b>PC</b> value stacked for the exception return points to the instruction that attempted the illegal use of the <b>Execution Program Status Register (EPSR)</b> register.</p> <p>This bit is not set if an undefined instruction uses the <b>EPSR</b> register. This bit is cleared by writing a 1 to it.</p>  |
| 16        | UNDEF    | R/W1C | 0     | <p>Undefined Instruction Usage Fault</p> <p>Value Description</p> <p>0 A usage fault has not been caused by an undefined instruction.</p> <p>1 The processor has attempted to execute an undefined instruction.</p> <p>When this bit is set, the <b>PC</b> value stacked for the exception return points to the undefined instruction.</p> <p>An undefined instruction is an instruction that the processor cannot decode.</p> <p>This bit is cleared by writing a 1 to it.</p>   |
| 15        | BFARV    | R/W1C | 0     | <p>Bus Fault Address Register Valid</p> <p>Value Description</p> <p>0 The value in the <b>Bus Fault Address (FAULTADDR)</b> register is not a valid fault address.</p> <p>1 The <b>FAULTADDR</b> register is holding a valid fault address.</p> <p>This bit is set after a bus fault, where the address is known. Other faults can clear this bit, such as a memory management fault occurring later. If a bus fault occurs and is escalated to a hard fault because of priority, the hard fault handler must clear this bit. This action prevents problems if returning to a stacked active bus fault handler whose <b>FAULTADDR</b> register value has been overwritten.</p> <p>This bit is cleared by writing a 1 to it.</p> |
| 14:13     | reserved | RO    | 0     | <p>Software should not rely on the value of a reserved bit. To provide compatibility with future products, the value of a reserved bit should be preserved across a read-modify-write operation.</p>  |

| Bit/Field | Name    | Type  | Reset | Description   |
|-----------|---------|-------|-------|---|
| 12        | BSTKE   | R/W1C | 0     | <p>Stack Bus Fault</p> <p>Value Description</p> <p>0 No bus fault has occurred on stacking for exception entry.</p> <p>1 Stacking for an exception entry has caused one or more bus faults.</p> <p>When this bit is set, the <b>SP</b> is still adjusted but the values in the context area on the stack might be incorrect. A fault address is not written to the <b>FAULTADDR</b> register.</p> <p>This bit is cleared by writing a 1 to it.</p>  |
| 11        | BUSTKE  | R/W1C | 0     | <p>Unstack Bus Fault</p> <p>Value Description</p> <p>0 No bus fault has occurred on unstacking for a return from exception.</p> <p>1 Unstacking for a return from exception has caused one or more bus faults.</p> <p>This fault is chained to the handler. Thus, when this bit is set, the original return stack is still present. The <b>SP</b> is not adjusted from the failing return, a new save is not performed, and a fault address is not written to the <b>FAULTADDR</b> register.</p> <p>This bit is cleared by writing a 1 to it.</p>   |
| 10        | IMPRE   | R/W1C | 0     | <p>Imprecise Data Bus Error</p> <p>Value Description</p> <p>0 An imprecise data bus error has not occurred.</p> <p>1 A data bus error has occurred, but the return address in the stack frame is not related to the instruction that caused the error.</p> <p>When this bit is set, a fault address is not written to the <b>FAULTADDR</b> register.</p> <p>This fault is asynchronous. Therefore, if the fault is detected when the priority of the current process is higher than the bus fault priority, the bus fault becomes pending and becomes active only when the processor returns from all higher-priority processes. If a precise fault occurs before the processor enters the handler for the imprecise bus fault, the handler detects that both the <b>IMPRE</b> bit is set and one of the precise fault status bits is set.</p> <p>This bit is cleared by writing a 1 to it.</p> |
| 9         | PRECISE | R/W1C | 0     | <p>Precise Data Bus Error</p> <p>Value Description</p> <p>0 A precise data bus error has not occurred.</p> <p>1 A data bus error has occurred, and the <b>PC</b> value stacked for the exception return points to the instruction that caused the fault.</p> <p>When this bit is set, the fault address is written to the <b>FAULTADDR</b> register.</p> <p>This bit is cleared by writing a 1 to it.</p>   |

| Bit/Field | Name     | Type  | Reset | Description   |
|-----------|----------|-------|-------|---|
| 8         | IBUS     | R/W1C | 0     | <p>Instruction Bus Error</p> <p>Value Description</p> <p>0 An instruction bus error has not occurred.</p> <p>1 An instruction bus error has occurred.</p> <p>The processor detects the instruction bus error on prefetching an instruction, but sets this bit only if it attempts to issue the faulting instruction.</p> <p>When this bit is set, a fault address is not written to the <b>FAULTADDR</b> register.</p> <p>This bit is cleared by writing a 1 to it.</p>   |
| 7         | MMARV    | R/W1C | 0     | <p>Memory Management Fault Address Register Valid</p> <p>Value Description</p> <p>0 The value in the <b>Memory Management Fault Address (MMADDR)</b> register is not a valid fault address.</p> <p>1 The <b>MMADDR</b> register is holding a valid fault address.</p> <p>If a memory management fault occurs and is escalated to a hard fault because of priority, the hard fault handler must clear this bit. This action prevents problems if returning to a stacked active memory management fault handler whose <b>MMADDR</b> register value has been overwritten.</p> <p>This bit is cleared by writing a 1 to it.</p> |
| 6:5       | reserved | RO    | 0     | <p>Software should not rely on the value of a reserved bit. To provide compatibility with future products, the value of a reserved bit should be preserved across a read-modify-write operation.</p>  |
| 4         | MSTKE    | R/W1C | 0     | <p>Stack Access Violation</p> <p>Value Description</p> <p>0 No memory management fault has occurred on stacking for exception entry.</p> <p>1 Stacking for an exception entry has caused one or more access violations.</p> <p>When this bit is set, the <b>SP</b> is still adjusted but the values in the context area on the stack might be incorrect. A fault address is not written to the <b>MMADDR</b> register.</p> <p>This bit is cleared by writing a 1 to it.</p>   |

| Bit/Field | Name     | Type  | Reset | Description   |
|-----------|----------|-------|-------|---|
| 3         | MUSTKE   | R/W1C | 0     | <p>Unstack Access Violation</p> <p>Value Description</p> <p>0 No memory management fault has occurred on unstacking for a return from exception.</p> <p>1 Unstacking for a return from exception has caused one or more access violations.</p> <p>This fault is chained to the handler. Thus, when this bit is set, the original return stack is still present. The <b>SP</b> is not adjusted from the failing return, a new save is not performed, and a fault address is not written to the <b>MMADDR</b> register.</p> <p>This bit is cleared by writing a 1 to it.</p>                      |
| 2         | reserved | RO    | 0     | <p>Software should not rely on the value of a reserved bit. To provide compatibility with future products, the value of a reserved bit should be preserved across a read-modify-write operation.</p>  |
| 1         | DERR     | R/W1C | 0     | <p>Data Access Violation</p> <p>Value Description</p> <p>0 A data access violation has not occurred.</p> <p>1 The processor attempted a load or store at a location that does not permit the operation.</p> <p>When this bit is set, the <b>PC</b> value stacked for the exception return points to the faulting instruction and the address of the attempted access is written to the <b>MMADDR</b> register.</p> <p>This bit is cleared by writing a 1 to it.</p>   |
| 0         | IERR     | R/W1C | 0     | <p>Instruction Access Violation</p> <p>Value Description</p> <p>0 An instruction access violation has not occurred.</p> <p>1 The processor attempted an instruction fetch from a location that does not permit execution.</p> <p>This fault occurs on any access to an XN region, even when the MPU is disabled or not present.</p> <p>When this bit is set, the <b>PC</b> value stacked for the exception return points to the faulting instruction and the address of the attempted access is not written to the <b>MMADDR</b> register.</p> <p>This bit is cleared by writing a 1 to it.</p> |

**Register 29: Hard Fault Status (HFAULTSTAT), offset 0xD2C**

**Note:** This register can only be accessed from privileged mode.

The **HFAULTSTAT** register gives information about events that activate the hard fault handler.

Bits are cleared by writing a 1 to them.

**Hard Fault Status (HFAULTSTAT)**

Base 0xE000.E000

Offset 0xD2C

Type R/W1C, reset 0x0000.0000

|       |          |        |          |    |    |    |    |    |    |    |    |    |    |    |      |          |    |
|-------|----------|--------|----------|----|----|----|----|----|----|----|----|----|----|----|------|----------|----|
|       | 31       | 30     | 29       | 28 | 27 | 26 | 25 | 24 | 23 | 22 | 21 | 20 | 19 | 18 | 17   | 16       |    |
|       | DBG      | FORCED | reserved |    |    |    |    |    |    |    |    |    |    |    |      |          |    |
| Type  | R/W1C    | R/W1C  | RO       | RO | RO | RO | RO | RO | RO | RO | RO | RO | RO | RO | RO   | RO       |    |
| Reset | 0        | 0      | 0        | 0  | 0  | 0  | 0  | 0  | 0  | 0  | 0  | 0  | 0  | 0  | 0    | 0        |    |
|       | 15       | 14     | 13       | 12 | 11 | 10 | 9  | 8  | 7  | 6  | 5  | 4  | 3  | 2  | 1    | 0        |    |
|       | reserved |        |          |    |    |    |    |    |    |    |    |    |    |    | VECT | reserved |    |
| Type  | RO       | RO     | RO       | RO | RO | RO | RO | RO | RO | RO | RO | RO | RO | RO | RO   | R/W1C    | RO |
| Reset | 0        | 0      | 0        | 0  | 0  | 0  | 0  | 0  | 0  | 0  | 0  | 0  | 0  | 0  | 0    | 0        | 0  |

| Bit/Field | Name     | Type  | Reset | Description  |
|-----------|----------|-------|-------|--|
| 31        | DBG      | R/W1C | 0     | Debug Event<br>This bit is reserved for Debug use. This bit must be written as a 0, otherwise behavior is unpredictable.   |
| 30        | FORCED   | R/W1C | 0     | Forced Hard Fault<br><br>Value Description<br>0 No forced hard fault has occurred.<br>1 A forced hard fault has been generated by escalation of a fault with configurable priority that cannot be handled, either because of priority or because it is disabled.<br><br>When this bit is set, the hard fault handler must read the other fault status registers to find the cause of the fault.<br>This bit is cleared by writing a 1 to it. |
| 29:2      | reserved | RO    | 0x00  | Software should not rely on the value of a reserved bit. To provide compatibility with future products, the value of a reserved bit should be preserved across a read-modify-write operation.  |
| 1         | VECT     | R/W1C | 0     | Vector Table Read Fault<br><br>Value Description<br>0 No bus fault has occurred on a vector table read.<br>1 A bus fault occurred on a vector table read.<br><br>This error is always handled by the hard fault handler.<br>When this bit is set, the <b>PC</b> value stacked for the exception return points to the instruction that was preempted by the exception.<br>This bit is cleared by writing a 1 to it.                           |
| 0         | reserved | RO    | 0     | Software should not rely on the value of a reserved bit. To provide compatibility with future products, the value of a reserved bit should be preserved across a read-modify-write operation.  |

**Register 30: Memory Management Fault Address (MMADDR), offset 0xD34**

**Note:** This register can only be accessed from privileged mode.

The **MMADDR** register contains the address of the location that generated a memory management fault. When an unaligned access faults, the address in the **MMADDR** register is the actual address that faulted. Because a single read or write instruction can be split into multiple aligned accesses, the fault address can be any address in the range of the requested access size. Bits in the **Memory Management Fault Status (MFAULTSTAT)** register indicate the cause of the fault and whether the value in the **MMADDR** register is valid (see page 122).

## Memory Management Fault Address (MMADDR)

Base 0xE000.E000

Offset 0xD34

Type R/W, reset -

|       |      |     |     |     |     |     |     |     |     |     |     |     |     |     |     |     |
|-------|------|-----|-----|-----|-----|-----|-----|-----|-----|-----|-----|-----|-----|-----|-----|-----|
|       | 31   | 30  | 29  | 28  | 27  | 26  | 25  | 24  | 23  | 22  | 21  | 20  | 19  | 18  | 17  | 16  |
|       | ADDR |     |     |     |     |     |     |     |     |     |     |     |     |     |     |     |
| Type  | R/W  | R/W | R/W | R/W | R/W | R/W | R/W | R/W | R/W | R/W | R/W | R/W | R/W | R/W | R/W | R/W |
| Reset | -    | -   | -   | -   | -   | -   | -   | -   | -   | -   | -   | -   | -   | -   | -   | -   |
|       | 15   | 14  | 13  | 12  | 11  | 10  | 9   | 8   | 7   | 6   | 5   | 4   | 3   | 2   | 1   | 0   |
|       | ADDR |     |     |     |     |     |     |     |     |     |     |     |     |     |     |     |
| Type  | R/W  | R/W | R/W | R/W | R/W | R/W | R/W | R/W | R/W | R/W | R/W | R/W | R/W | R/W | R/W | R/W |
| Reset | -    | -   | -   | -   | -   | -   | -   | -   | -   | -   | -   | -   | -   | -   | -   | -   |

| Bit/Field | Name | Type | Reset | Description  |
|-----------|------|------|-------|--|
| 31:0      | ADDR | R/W  | -     | Fault Address<br>When the <b>MMARV</b> bit of <b>MFAULTSTAT</b> is set, this field holds the address of the location that generated the memory management fault. |

## Register 31: Bus Fault Address (FAULTADDR), offset 0xD38

**Note:** This register can only be accessed from privileged mode.

The **FAULTADDR** register contains the address of the location that generated a bus fault. When an unaligned access faults, the address in the **FAULTADDR** register is the one requested by the instruction, even if it is not the address of the fault. Bits in the **Bus Fault Status (BFAULTSTAT)** register indicate the cause of the fault and whether the value in the **FAULTADDR** register is valid (see page 122).

### Bus Fault Address (FAULTADDR)

Base 0xE000.E000

Offset 0xD38

Type R/W, reset -

|       |      |     |     |     |     |     |     |     |     |     |     |     |     |     |     |     |
|-------|------|-----|-----|-----|-----|-----|-----|-----|-----|-----|-----|-----|-----|-----|-----|-----|
|       | 31   | 30  | 29  | 28  | 27  | 26  | 25  | 24  | 23  | 22  | 21  | 20  | 19  | 18  | 17  | 16  |
|       | ADDR |     |     |     |     |     |     |     |     |     |     |     |     |     |     |     |
| Type  | R/W  | R/W | R/W | R/W | R/W | R/W | R/W | R/W | R/W | R/W | R/W | R/W | R/W | R/W | R/W | R/W |
| Reset | -    | -   | -   | -   | -   | -   | -   | -   | -   | -   | -   | -   | -   | -   | -   | -   |
|       | 15   | 14  | 13  | 12  | 11  | 10  | 9   | 8   | 7   | 6   | 5   | 4   | 3   | 2   | 1   | 0   |
|       | ADDR |     |     |     |     |     |     |     |     |     |     |     |     |     |     |     |
| Type  | R/W  | R/W | R/W | R/W | R/W | R/W | R/W | R/W | R/W | R/W | R/W | R/W | R/W | R/W | R/W | R/W |
| Reset | -    | -   | -   | -   | -   | -   | -   | -   | -   | -   | -   | -   | -   | -   | -   | -   |

| Bit/Field | Name | Type | Reset | Description   |
|-----------|------|------|-------|---|
| 31:0      | ADDR | R/W  | -     | Fault Address<br>When the <b>FAULTADDRV</b> bit of <b>BFAULTSTAT</b> is set, this field holds the address of the location that generated the bus fault. |

## 3.6 Memory Protection Unit (MPU) Register Descriptions

This section lists and describes the Memory Protection Unit (MPU) registers, in numerical order by address offset.

The MPU registers can only be accessed from privileged mode.

**Register 32: MPU Type (MPUTYPE), offset 0xD90**

**Note:** This register can only be accessed from privileged mode.

The **MPUTYPE** register indicates whether the MPU is present, and if so, how many regions it supports.

**MPU Type (MPUTYPE)**

Base 0xE000.E000

Offset 0xD90

Type RO, reset 0x0000.0800

|       |          |    |    |    |    |    |    |    |          |    |    |    |    |    |    |          |
|-------|----------|----|----|----|----|----|----|----|----------|----|----|----|----|----|----|----------|
|       | 31       | 30 | 29 | 28 | 27 | 26 | 25 | 24 | 23       | 22 | 21 | 20 | 19 | 18 | 17 | 16       |
|       | reserved |    |    |    |    |    |    |    | IREGION  |    |    |    |    |    |    |          |
| Type  | RO       | RO | RO | RO | RO | RO | RO | RO | RO       | RO | RO | RO | RO | RO | RO | RO       |
| Reset | 0        | 0  | 0  | 0  | 0  | 0  | 0  | 0  | 0        | 0  | 0  | 0  | 0  | 0  | 0  | 0        |
|       | 15       | 14 | 13 | 12 | 11 | 10 | 9  | 8  | 7        | 6  | 5  | 4  | 3  | 2  | 1  | 0        |
|       | DREGION  |    |    |    |    |    |    |    | reserved |    |    |    |    |    |    | SEPARATE |
| Type  | RO       | RO | RO | RO | RO | RO | RO | RO | RO       | RO | RO | RO | RO | RO | RO | RO       |
| Reset | 0        | 0  | 0  | 0  | 1  | 0  | 0  | 0  | 0        | 0  | 0  | 0  | 0  | 0  | 0  | 0        |

| Bit/Field | Name     | Type | Reset | Description  |
|-----------|----------|------|-------|--|
| 31:24     | reserved | RO   | 0x00  | Software should not rely on the value of a reserved bit. To provide compatibility with future products, the value of a reserved bit should be preserved across a read-modify-write operation.      |
| 23:16     | IREGION  | RO   | 0x00  | Number of I Regions<br>This field indicates the number of supported MPU instruction regions. This field always contains 0x00. The MPU memory map is unified and is described by the DREGION field. |
| 15:8      | DREGION  | RO   | 0x08  | Number of D Regions<br><br>Value Description<br>0x08 Indicates there are eight supported MPU data regions.   |
| 7:1       | reserved | RO   | 0x00  | Software should not rely on the value of a reserved bit. To provide compatibility with future products, the value of a reserved bit should be preserved across a read-modify-write operation.      |
| 0         | SEPARATE | RO   | 0     | Separate or Unified MPU<br><br>Value Description<br>0 Indicates the MPU is unified.  |

**Register 33: MPU Control (MPUCTRL), offset 0xD94**

**Note:** This register can only be accessed from privileged mode.

The **MPUCTRL** register enables the MPU, enables the default memory map background region, and enables use of the MPU when in the hard fault, Non-maskable Interrupt (NMI), and **Fault Mask Register (FAULTMASK)** escalated handlers.

When the **ENABLE** and **PRIVDEFEN** bits are both set:

- For privileged accesses, the default memory map is as described in “Memory Model” on page 59. Any access by privileged software that does not address an enabled memory region behaves as defined by the default memory map.
- Any access by unprivileged software that does not address an enabled memory region causes a memory management fault.

Execute Never (XN) and Strongly Ordered rules always apply to the System Control Space regardless of the value of the **ENABLE** bit.

When the **ENABLE** bit is set, at least one region of the memory map must be enabled for the system to function unless the **PRIVDEFEN** bit is set. If the **PRIVDEFEN** bit is set and no regions are enabled, then only privileged software can operate.

When the **ENABLE** bit is clear, the system uses the default memory map, which has the same memory attributes as if the MPU is not implemented (see Table 2-5 on page 61 for more information). The default memory map applies to accesses from both privileged and unprivileged software.

When the MPU is enabled, accesses to the System Control Space and vector table are always permitted. Other areas are accessible based on regions and whether **PRIVDEFEN** is set.

Unless **HFNMENA** is set, the MPU is not enabled when the processor is executing the handler for an exception with priority –1 or –2. These priorities are only possible when handling a hard fault or NMI exception or when **FAULTMASK** is enabled. Setting the **HFNMENA** bit enables the MPU when operating with these two priorities.

**MPU Control (MPUCTRL)**

Base 0xE000.E000

Offset 0xD94

Type R/W, reset 0x0000.0000

|       |          |    |    |    |    |    |    |    |    |    |    |    |    |           |         |        |     |
|-------|----------|----|----|----|----|----|----|----|----|----|----|----|----|-----------|---------|--------|-----|
|       | 31       | 30 | 29 | 28 | 27 | 26 | 25 | 24 | 23 | 22 | 21 | 20 | 19 | 18        | 17      | 16     |     |
|       | reserved |    |    |    |    |    |    |    |    |    |    |    |    |           |         |        |     |
| Type  | RO       | RO | RO | RO | RO | RO | RO | RO | RO | RO | RO | RO | RO | RO        | RO      | RO     |     |
| Reset | 0        | 0  | 0  | 0  | 0  | 0  | 0  | 0  | 0  | 0  | 0  | 0  | 0  | 0         | 0       | 0      |     |
|       | 15       | 14 | 13 | 12 | 11 | 10 | 9  | 8  | 7  | 6  | 5  | 4  | 3  | 2         | 1       | 0      |     |
|       | reserved |    |    |    |    |    |    |    |    |    |    |    |    | PRIVDEFEN | HFNMENA | ENABLE |     |
| Type  | RO       | RO | RO | RO | RO | RO | RO | RO | RO | RO | RO | RO | RO | RO        | R/W     | R/W    | R/W |
| Reset | 0        | 0  | 0  | 0  | 0  | 0  | 0  | 0  | 0  | 0  | 0  | 0  | 0  | 0         | 0       | 0      | 0   |

| Bit/Field | Name     | Type | Reset      | Description   |
|-----------|----------|------|------------|---|
| 31:3      | reserved | RO   | 0x0000.000 | Software should not rely on the value of a reserved bit. To provide compatibility with future products, the value of a reserved bit should be preserved across a read-modify-write operation. |

| Bit/Field | Name      | Type | Reset | Description   |
|-----------|-----------|------|-------|---|
| 2         | PRIVDEFEN | R/W  | 0     | <p>MPU Default Region</p> <p>This bit enables privileged software access to the default memory map.</p> <p>Value Description</p> <p>0 If the MPU is enabled, this bit disables use of the default memory map. Any memory access to a location not covered by any enabled region causes a fault.</p> <p>1 If the MPU is enabled, this bit enables use of the default memory map as a background region for privileged software accesses.</p> <p>When this bit is set, the background region acts as if it is region number -1. Any region that is defined and enabled has priority over this default map.</p> <p>If the MPU is disabled, the processor ignores this bit.</p> |
| 1         | HFNMIENA  | R/W  | 0     | <p>MPU Enabled During Faults</p> <p>This bit controls the operation of the MPU during hard fault, NMI, and <b>FAULTMASK</b> handlers.</p> <p>Value Description</p> <p>0 The MPU is disabled during hard fault, NMI, and <b>FAULTMASK</b> handlers, regardless of the value of the <i>ENABLE</i> bit.</p> <p>1 The MPU is enabled during hard fault, NMI, and <b>FAULTMASK</b> handlers.</p> <p>When the MPU is disabled and this bit is set, the resulting behavior is unpredictable.</p>   |
| 0         | ENABLE    | R/W  | 0     | <p>MPU Enable</p> <p>Value Description</p> <p>0 The MPU is disabled.</p> <p>1 The MPU is enabled.</p> <p>When the MPU is disabled and the <i>HFNMIENA</i> bit is set, the resulting behavior is unpredictable.</p>  |

**Register 34: MPU Region Number (MPUNUMBER), offset 0xD98**

**Note:** This register can only be accessed from privileged mode.

The **MPUNUMBER** register selects which memory region is referenced by the **MPU Region Base Address (MPUBASE)** and **MPU Region Attribute and Size (MPUATTR)** registers. Normally, the required region number should be written to this register before accessing the **MPUBASE** or the **MPUATTR** register. However, the region number can be changed by writing to the **MPUBASE** register with the **VALID** bit set (see page 135). This write updates the value of the **REGION** field.

## MPU Region Number (MPUNUMBER)

Base 0xE000.E000

Offset 0xD98

Type R/W, reset 0x0000.0000

|       |          |    |    |    |    |    |    |    |    |    |    |    |    |        |     |     |     |
|-------|----------|----|----|----|----|----|----|----|----|----|----|----|----|--------|-----|-----|-----|
|       | 31       | 30 | 29 | 28 | 27 | 26 | 25 | 24 | 23 | 22 | 21 | 20 | 19 | 18     | 17  | 16  |     |
|       | reserved |    |    |    |    |    |    |    |    |    |    |    |    |        |     |     |     |
| Type  | RO       | RO | RO | RO | RO | RO | RO | RO | RO | RO | RO | RO | RO | RO     | RO  | RO  |     |
| Reset | 0        | 0  | 0  | 0  | 0  | 0  | 0  | 0  | 0  | 0  | 0  | 0  | 0  | 0      | 0   | 0   |     |
|       | 15       | 14 | 13 | 12 | 11 | 10 | 9  | 8  | 7  | 6  | 5  | 4  | 3  | 2      | 1   | 0   |     |
|       | reserved |    |    |    |    |    |    |    |    |    |    |    |    | NUMBER |     |     |     |
| Type  | RO       | RO | RO | RO | RO | RO | RO | RO | RO | RO | RO | RO | RO | RO     | R/W | R/W | R/W |
| Reset | 0        | 0  | 0  | 0  | 0  | 0  | 0  | 0  | 0  | 0  | 0  | 0  | 0  | 0      | 0   | 0   | 0   |

| Bit/Field | Name     | Type | Reset      | Description   |
|-----------|----------|------|------------|---|
| 31:3      | reserved | RO   | 0x0000.000 | Software should not rely on the value of a reserved bit. To provide compatibility with future products, the value of a reserved bit should be preserved across a read-modify-write operation. |
| 2:0       | NUMBER   | R/W  | 0x0        | MPU Region to Access<br>This field indicates the MPU region referenced by the <b>MPUBASE</b> and <b>MPUATTR</b> registers. The MPU supports eight memory regions.                             |

**Register 35: MPU Region Base Address (MPUBASE), offset 0xD9C****Register 36: MPU Region Base Address Alias 1 (MPUBASE1), offset 0xDA4****Register 37: MPU Region Base Address Alias 2 (MPUBASE2), offset 0xDAC****Register 38: MPU Region Base Address Alias 3 (MPUBASE3), offset 0xDB4**

**Note:** This register can only be accessed from privileged mode.

The **MPUBASE** register defines the base address of the MPU region selected by the **MPU Region Number (MPUNUMBER)** register and can update the value of the **MPUNUMBER** register. To change the current region number and update the **MPUNUMBER** register, write the **MPUBASE** register with the **VALID** bit set.

The **ADDR** field is bits 31:*N* of the **MPUBASE** register. Bits (*N*-1):5 are reserved. The region size, as specified by the **SIZE** field in the **MPU Region Attribute and Size (MPUATTR)** register, defines the value of *N* where:

$$N = \text{Log}_2(\text{Region size in bytes})$$

If the region size is configured to 4 GB in the **MPUATTR** register, there is no valid **ADDR** field. In this case, the region occupies the complete memory map, and the base address is 0x0000.0000.

The base address is aligned to the size of the region. For example, a 64-KB region must be aligned on a multiple of 64 KB, for example, at 0x0001.0000 or 0x0002.0000.

**MPU Region Base Address (MPUBASE)**

Base 0xE000.E000

Offset 0xD9C

Type R/W, reset 0x0000.0000

|       |      |     |     |     |     |     |     |     |     |     |     |       |          |        |     |     |
|-------|------|-----|-----|-----|-----|-----|-----|-----|-----|-----|-----|-------|----------|--------|-----|-----|
|       | 31   | 30  | 29  | 28  | 27  | 26  | 25  | 24  | 23  | 22  | 21  | 20    | 19       | 18     | 17  | 16  |
|       | ADDR |     |     |     |     |     |     |     |     |     |     |       |          |        |     |     |
| Type  | R/W  | R/W | R/W | R/W | R/W | R/W | R/W | R/W | R/W | R/W | R/W | R/W   | R/W      | R/W    | R/W | R/W |
| Reset | 0    | 0   | 0   | 0   | 0   | 0   | 0   | 0   | 0   | 0   | 0   | 0     | 0        | 0      | 0   | 0   |
|       | 15   | 14  | 13  | 12  | 11  | 10  | 9   | 8   | 7   | 6   | 5   | 4     | 3        | 2      | 1   | 0   |
|       | ADDR |     |     |     |     |     |     |     |     |     |     | VALID | reserved | REGION |     |     |
| Type  | R/W  | R/W | R/W | R/W | R/W | R/W | R/W | R/W | R/W | R/W | R/W | WO    | RO       | R/W    | R/W | R/W |
| Reset | 0    | 0   | 0   | 0   | 0   | 0   | 0   | 0   | 0   | 0   | 0   | 0     | 0        | 0      | 0   | 0   |

| Bit/Field | Name | Type | Reset      | Description  |
|-----------|------|------|------------|--|
| 31:5      | ADDR | R/W  | 0x0000.000 | Base Address Mask<br>Bits 31: <i>N</i> in this field contain the region base address. The value of <i>N</i> depends on the region size, as shown above. The remaining bits ( <i>N</i> -1):5 are reserved.<br><br>Software should not rely on the value of a reserved bit. To provide compatibility with future products, the value of a reserved bit should be preserved across a read-modify-write operation. |

---

| Bit/Field | Name     | Type | Reset | Description   |
|-----------|----------|------|-------|---|
| 4         | VALID    | WO   | 0     | Region Number Valid<br><br>Value Description<br>0 The <b>MPUNUMBER</b> register is not changed and the processor updates the base address for the region specified in the <b>MPUNUMBER</b> register and ignores the value of the <b>REGION</b> field.<br>1 The <b>MPUNUMBER</b> register is updated with the value of the <b>REGION</b> field and the base address is updated for the region specified in the <b>REGION</b> field.<br><br>This bit is always read as 0. |
| 3         | reserved | RO   | 0     | Software should not rely on the value of a reserved bit. To provide compatibility with future products, the value of a reserved bit should be preserved across a read-modify-write operation.   |
| 2:0       | REGION   | R/W  | 0x0   | Region Number<br>On a write, contains the value to be written to the <b>MPUNUMBER</b> register. On a read, returns the current region number in the <b>MPUNUMBER</b> register.  |

**Register 39: MPU Region Attribute and Size (MPUATTR), offset 0xDA0****Register 40: MPU Region Attribute and Size Alias 1 (MPUATTR1), offset 0xDA8****Register 41: MPU Region Attribute and Size Alias 2 (MPUATTR2), offset 0xDB0****Register 42: MPU Region Attribute and Size Alias 3 (MPUATTR3), offset 0xDB8**

**Note:** This register can only be accessed from privileged mode.

The **MPUATTR** register defines the region size and memory attributes of the MPU region specified by the **MPU Region Number (MPUNUMBER)** register and enables that region and any subregions.

The **MPUATTR** register is accessible using word or halfword accesses with the most-significant halfword holding the region attributes and the least-significant halfword holds the region size and the region and subregion enable bits.

The MPU access permission attribute bits, **XN**, **AP**, **TEX**, **S**, **C**, and **B**, control access to the corresponding memory region. If an access is made to an area of memory without the required permissions, then the MPU generates a permission fault.

The **SIZE** field defines the size of the MPU memory region specified by the **MPUNUMBER** register as follows:

$$(\text{Region size in bytes}) = 2^{(\text{SIZE}+1)}$$

The smallest permitted region size is 32 bytes, corresponding to a **SIZE** value of 4. Table 3-9 on page 137 gives example **SIZE** values with the corresponding region size and value of **N** in the **MPU Region Base Address (MPUBASE)** register.

**Table 3-9. Example SIZE Field Values**

| SIZE Encoding | Region Size | Value of N <sup>a</sup>   | Note                   |
|---------------|-------------|---|------------------------|
| 00100b (0x4)  | 32 B        | 5   | Minimum permitted size |
| 01001b (0x9)  | 1 KB        | 10  | -                      |
| 10011b (0x13) | 1 MB        | 20  | -                      |
| 11101b (0x1D) | 1 GB        | 30  | -                      |
| 11111b (0x1F) | 4 GB        | No valid <b>ADDR</b> field in <b>MPUBASE</b> ; the region occupies the complete memory map. | Maximum possible size  |

a. Refers to the **N** parameter in the **MPUBASE** register (see page 135).

### MPU Region Attribute and Size (MPUATTR)

Base 0xE000.E000

Offset 0xDA0

Type R/W, reset 0x0000.0000

|       |          |     |     |     |          |     |     |          |          |    |     |      |     |     |     |        |
|-------|----------|-----|-----|-----|----------|-----|-----|----------|----------|----|-----|------|-----|-----|-----|--------|
|       | 31       | 30  | 29  | 28  | 27       | 26  | 25  | 24       | 23       | 22 | 21  | 20   | 19  | 18  | 17  | 16     |
|       | reserved |     |     | XN  | reserved | AP  |     | reserved |          |    | TEX |      | S   | C   | B   |        |
| Type  | RO       | RO  | RO  | R/W | RO       | R/W | R/W | R/W      | RO       | RO | R/W | R/W  | R/W | R/W | R/W | R/W    |
| Reset | 0        | 0   | 0   | 0   | 0        | 0   | 0   | 0        | 0        | 0  | 0   | 0    | 0   | 0   | 0   | 0      |
|       | 15       | 14  | 13  | 12  | 11       | 10  | 9   | 8        | 7        | 6  | 5   | 4    | 3   | 2   | 1   | 0      |
|       | SRD      |     |     |     |          |     |     |          | reserved |    |     | SIZE |     |     |     | ENABLE |
| Type  | R/W      | R/W | R/W | R/W | R/W      | R/W | R/W | R/W      | RO       | RO | R/W | R/W  | R/W | R/W | R/W | R/W    |
| Reset | 0        | 0   | 0   | 0   | 0        | 0   | 0   | 0        | 0        | 0  | 0   | 0    | 0   | 0   | 0   | 0      |

| Bit/Field | Name     | Type | Reset | Description  |
|-----------|----------|------|-------|--|
| 31:29     | reserved | RO   | 0x00  | Software should not rely on the value of a reserved bit. To provide compatibility with future products, the value of a reserved bit should be preserved across a read-modify-write operation.  |
| 28        | XN       | R/W  | 0     | Instruction Access Disable<br><br>Value Description<br>0 Instruction fetches are enabled.<br>1 Instruction fetches are disabled.   |
| 27        | reserved | RO   | 0     | Software should not rely on the value of a reserved bit. To provide compatibility with future products, the value of a reserved bit should be preserved across a read-modify-write operation.  |
| 26:24     | AP       | R/W  | 0     | Access Privilege<br>For information on using this bit field, see Table 3-5 on page 89.   |
| 23:22     | reserved | RO   | 0x0   | Software should not rely on the value of a reserved bit. To provide compatibility with future products, the value of a reserved bit should be preserved across a read-modify-write operation.  |
| 21:19     | TEX      | R/W  | 0x0   | Type Extension Mask<br>For information on using this bit field, see Table 3-3 on page 88.  |
| 18        | S        | R/W  | 0     | Shareable<br>For information on using this bit, see Table 3-3 on page 88.  |
| 17        | C        | R/W  | 0     | Cacheable<br>For information on using this bit, see Table 3-3 on page 88.  |
| 16        | B        | R/W  | 0     | Bufferable<br>For information on using this bit, see Table 3-3 on page 88.   |
| 15:8      | SRD      | R/W  | 0x00  | Subregion Disable Bits<br><br>Value Description<br>0 The corresponding subregion is enabled.<br>1 The corresponding subregion is disabled.<br><br>Region sizes of 128 bytes and less do not support subregions. When writing the attributes for such a region, configure the SRD field as 0x00. See the section called "Subregions" on page 87 for more information. |
| 7:6       | reserved | RO   | 0x0   | Software should not rely on the value of a reserved bit. To provide compatibility with future products, the value of a reserved bit should be preserved across a read-modify-write operation.  |
| 5:1       | SIZE     | R/W  | 0x0   | Region Size Mask<br>The SIZE field defines the size of the MPU memory region specified by the MPUNUMBER register. Refer to Table 3-9 on page 137 for more information.   |

---

| Bit/Field | Name   | Type | Reset | Description               |
|-----------|--------|------|-------|---------------------------|
| 0         | ENABLE | R/W  | 0     | Region Enable             |
|           |        |      |       | Value Description         |
|           |        |      |       | 0 The region is disabled. |
|           |        |      |       | 1 The region is enabled.  |

## 4 JTAG Interface

The Joint Test Action Group (JTAG) port is an IEEE standard that defines a Test Access Port and Boundary Scan Architecture for digital integrated circuits and provides a standardized serial interface for controlling the associated test logic. The TAP, Instruction Register (IR), and Data Registers (DR) can be used to test the interconnections of assembled printed circuit boards and obtain manufacturing information on the components. The JTAG Port also provides a means of accessing and controlling design-for-test features such as I/O pin observation and control, scan testing, and debugging.

The JTAG port is comprised of five pins:  $\overline{\text{TRST}}$ , TCK, TMS, TDI, and TDO. Data is transmitted serially into the controller on TDI and out of the controller on TDO. The interpretation of this data is dependent on the current state of the TAP controller. For detailed information on the operation of the JTAG port and TAP controller, please refer to the *IEEE Standard 1149.1-Test Access Port and Boundary-Scan Architecture*.

The Stellaris<sup>®</sup> JTAG controller works with the ARM JTAG controller built into the Cortex-M3 core. This is implemented by multiplexing the TDO outputs from both JTAG controllers. ARM JTAG instructions select the ARM TDO output while Stellaris JTAG instructions select the Stellaris TDO outputs. The multiplexer is controlled by the Stellaris JTAG controller, which has comprehensive programming for the ARM, Stellaris, and unimplemented JTAG instructions.

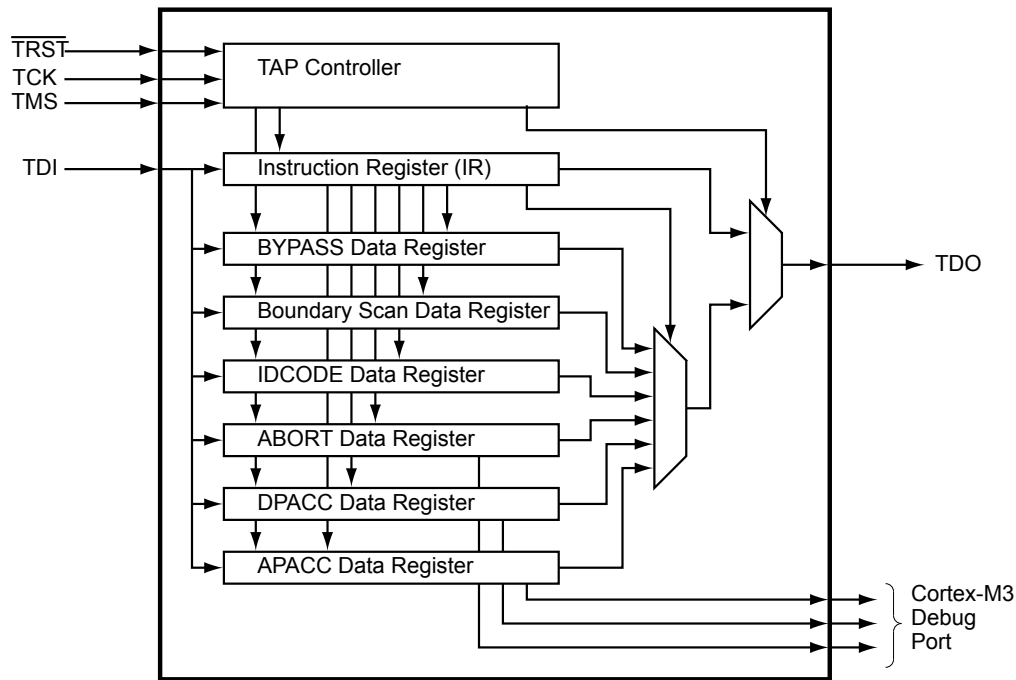
The Stellaris JTAG module has the following features:

- IEEE 1149.1-1990 compatible Test Access Port (TAP) controller
- Four-bit Instruction Register (IR) chain for storing JTAG instructions
- IEEE standard instructions: BYPASS, IDCODE, SAMPLE/PRELOAD, EXTEST and INTEST
- ARM additional instructions: APACC, DPACC and ABORT
- Integrated ARM Serial Wire Debug (SWD)

See the *ARM<sup>®</sup> Debug Interface V5 Architecture Specification* for more information on the ARM JTAG controller.

## 4.1 Block Diagram

Figure 4-1. JTAG Module Block Diagram



## 4.2 Signal Description

Table 4-1 on page 141 and Table 4-2 on page 142 list the external signals of the JTAG/SWD controller and describe the function of each. The JTAG/SWD controller signals are alternate functions for some GPIO signals, however note that the reset state of the pins is for the JTAG/SWD function. The column in the table below titled "Pin Assignment" lists the GPIO pin placement for the JTAG/SWD controller signals. The **AFSEL** bit in the **GPIO Alternate Function Select (GPIOAFSEL)** register (page 245) is set to choose the JTAG/SWD function. For more information on configuring GPIOs, see "General-Purpose Input/Outputs (GPIOs)" on page 224.

Table 4-1. JTAG\_SWD\_SWO Signals (48QFP)

| Pin Name | Pin Number | Pin Type | Buffer Type <sup>a</sup> | Description         |
|----------|------------|----------|--------------------------|---------------------|
| SWCLK    | 40         | I        | TTL                      | JTAG/SWD CLK.       |
| SWDIO    | 39         | I/O      | TTL                      | JTAG TMS and SWDIO. |
| SWO      | 37         | O        | TTL                      | JTAG TDO and SWO.   |
| TCK      | 40         | I        | TTL                      | JTAG/SWD CLK.       |
| TDI      | 38         | I        | TTL                      | JTAG TDI.           |
| TDO      | 37         | O        | TTL                      | JTAG TDO and SWO.   |
| TMS      | 39         | I/O      | TTL                      | JTAG TMS and SWDIO. |
| TRST     | 41         | I        | TTL                      | JTAG TRST.          |

a. The TTL designation indicates the pin has TTL-compatible voltage levels.

**Table 4-2. JTAG\_SWD\_SWO Signals (48QFN)**

| Pin Name                 | Pin Number | Pin Type | Buffer Type <sup>a</sup> | Description                     |
|--------------------------|------------|----------|--------------------------|---------------------------------|
| SWCLK                    | 40         | I        | TTL                      | JTAG/SWD CLK.                   |
| SWDIO                    | 39         | I/O      | TTL                      | JTAG TMS and SWDIO.             |
| SWO                      | 37         | O        | TTL                      | JTAG TDO and SWO.               |
| TCK                      | 40         | I        | TTL                      | JTAG/SWD CLK.                   |
| TDI                      | 38         | I        | TTL                      | JTAG TDI.                       |
| TDO                      | 37         | O        | TTL                      | JTAG TDO and SWO.               |
| TMS                      | 39         | I/O      | TTL                      | JTAG TMS and SWDIO.             |
| $\overline{\text{TRST}}$ | 41         | I        | TTL                      | JTAG $\overline{\text{TRST}}$ . |

a. The TTL designation indicates the pin has TTL-compatible voltage levels.

### 4.3 Functional Description

A high-level conceptual drawing of the JTAG module is shown in Figure 4-1 on page 141. The JTAG module is composed of the Test Access Port (TAP) controller and serial shift chains with parallel update registers. The TAP controller is a simple state machine controlled by the  $\overline{\text{TRST}}$ , TCK and TMS inputs. The current state of the TAP controller depends on the current value of  $\overline{\text{TRST}}$  and the sequence of values captured on TMS at the rising edge of TCK. The TAP controller determines when the serial shift chains capture new data, shift data from TDI towards TDO, and update the parallel load registers. The current state of the TAP controller also determines whether the Instruction Register (IR) chain or one of the Data Register (DR) chains is being accessed.

The serial shift chains with parallel load registers are comprised of a single Instruction Register (IR) chain and multiple Data Register (DR) chains. The current instruction loaded in the parallel load register determines which DR chain is captured, shifted, or updated during the sequencing of the TAP controller.

Some instructions, like EXTEST and INTEST, operate on data currently in a DR chain and do not capture, shift, or update any of the chains. Instructions that are not implemented decode to the BYPASS instruction to ensure that the serial path between TDI and TDO is always connected (see Table 4-4 on page 147 for a list of implemented instructions).

See “JTAG and Boundary Scan” on page 471 for JTAG timing diagrams.

#### 4.3.1 JTAG Interface Pins

The JTAG interface consists of five standard pins:  $\overline{\text{TRST}}$ , TCK, TMS, TDI, and TDO. These pins and their associated reset state are given in Table 4-3 on page 142. Detailed information on each pin follows.

**Table 4-3. JTAG Port Pins Reset State**

| Pin Name                 | Data Direction | Internal Pull-Up | Internal Pull-Down | Drive Strength | Drive Value |
|--------------------------|----------------|------------------|--------------------|----------------|-------------|
| $\overline{\text{TRST}}$ | Input          | Enabled          | Disabled           | N/A            | N/A         |
| TCK                      | Input          | Enabled          | Disabled           | N/A            | N/A         |
| TMS                      | Input          | Enabled          | Disabled           | N/A            | N/A         |
| TDI                      | Input          | Enabled          | Disabled           | N/A            | N/A         |
| TDO                      | Output         | Enabled          | Disabled           | 2-mA driver    | High-Z      |

#### 4.3.1.1 Test Reset Input ( $\overline{\text{TRST}}$ )

The  $\overline{\text{TRST}}$  pin is an asynchronous active Low input signal for initializing and resetting the JTAG TAP controller and associated JTAG circuitry. When  $\overline{\text{TRST}}$  is asserted, the TAP controller resets to the Test-Logic-Reset state and remains there while  $\overline{\text{TRST}}$  is asserted. When the TAP controller enters the Test-Logic-Reset state, the JTAG Instruction Register (IR) resets to the default instruction, IDCODE.

By default, the internal pull-up resistor on the  $\overline{\text{TRST}}$  pin is enabled after reset. Changes to the pull-up resistor settings on GPIO Port B should ensure that the internal pull-up resistor remains enabled on PB7/ $\overline{\text{TRST}}$ ; otherwise JTAG communication could be lost.

#### 4.3.1.2 Test Clock Input (TCK)

The TCK pin is the clock for the JTAG module. This clock is provided so the test logic can operate independently of any other system clocks. In addition, it ensures that multiple JTAG TAP controllers that are daisy-chained together can synchronously communicate serial test data between components. During normal operation, TCK is driven by a free-running clock with a nominal 50% duty cycle. When necessary, TCK can be stopped at 0 or 1 for extended periods of time. While TCK is stopped at 0 or 1, the state of the TAP controller does not change and data in the JTAG Instruction and Data Registers is not lost.

By default, the internal pull-up resistor on the TCK pin is enabled after reset. This assures that no clocking occurs if the pin is not driven from an external source. The internal pull-up and pull-down resistors can be turned off to save internal power as long as the TCK pin is constantly being driven by an external source.

#### 4.3.1.3 Test Mode Select (TMS)

The TMS pin selects the next state of the JTAG TAP controller. TMS is sampled on the rising edge of TCK. Depending on the current TAP state and the sampled value of TMS, the next state is entered. Because the TMS pin is sampled on the rising edge of TCK, the *IEEE Standard 1149.1* expects the value on TMS to change on the falling edge of TCK.

Holding TMS high for five consecutive TCK cycles drives the TAP controller state machine to the Test-Logic-Reset state. When the TAP controller enters the Test-Logic-Reset state, the JTAG Instruction Register (IR) resets to the default instruction, IDCODE. Therefore, this sequence can be used as a reset mechanism, similar to asserting  $\overline{\text{TRST}}$ . The JTAG Test Access Port state machine can be seen in its entirety in Figure 4-2 on page 145.

By default, the internal pull-up resistor on the TMS pin is enabled after reset. Changes to the pull-up resistor settings on GPIO Port C should ensure that the internal pull-up resistor remains enabled on PC1/TMS; otherwise JTAG communication could be lost.

#### 4.3.1.4 Test Data Input (TDI)

The TDI pin provides a stream of serial information to the IR chain and the DR chains. TDI is sampled on the rising edge of TCK and, depending on the current TAP state and the current instruction, presents this data to the proper shift register chain. Because the TDI pin is sampled on the rising edge of TCK, the *IEEE Standard 1149.1* expects the value on TDI to change on the falling edge of TCK.

By default, the internal pull-up resistor on the TDI pin is enabled after reset. Changes to the pull-up resistor settings on GPIO Port C should ensure that the internal pull-up resistor remains enabled on PC2/TDI; otherwise JTAG communication could be lost.

#### 4.3.1.5 Test Data Output (TDO)

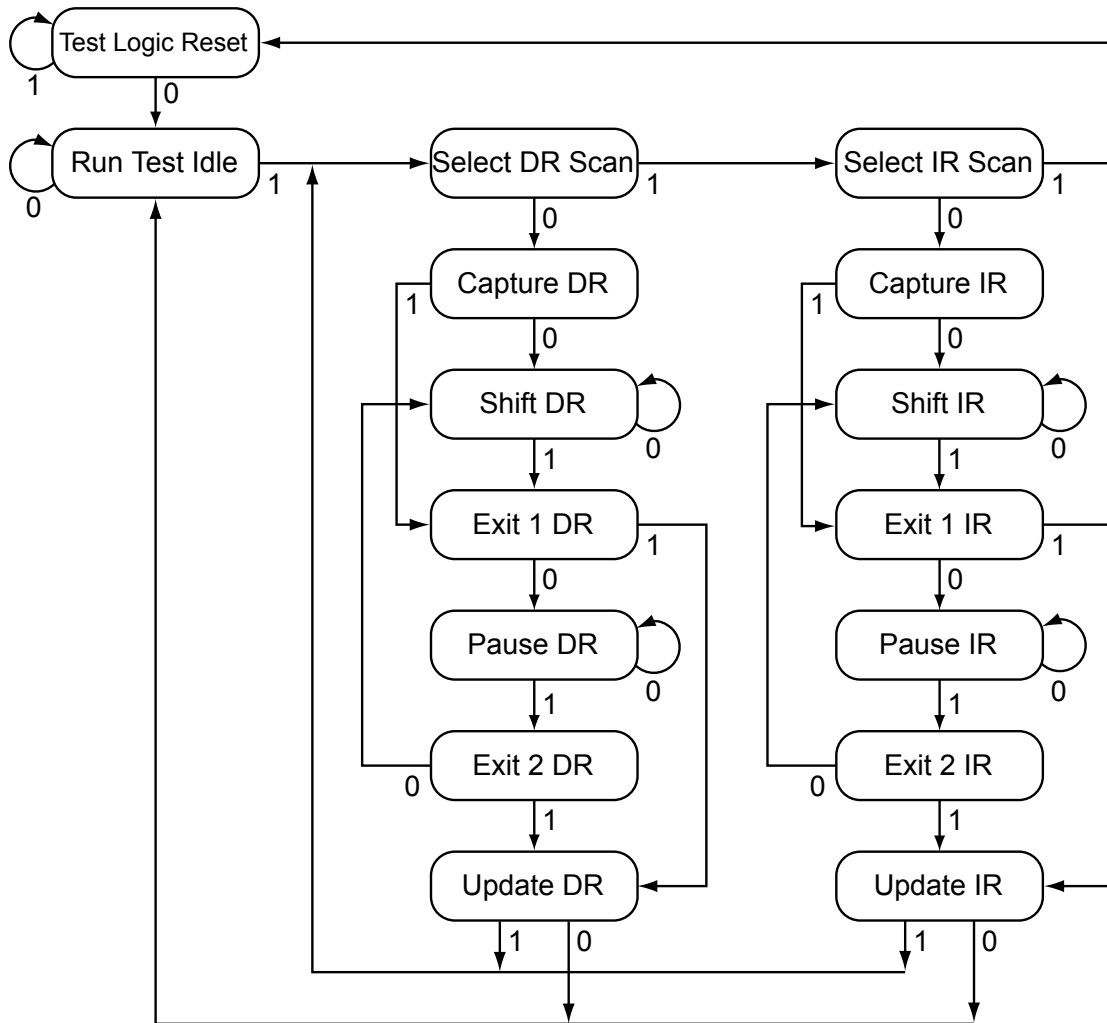
The TDO pin provides an output stream of serial information from the IR chain or the DR chains. The value of TDO depends on the current TAP state, the current instruction, and the data in the chain being accessed. In order to save power when the JTAG port is not being used, the TDO pin is placed in an inactive drive state when not actively shifting out data. Because TDO can be connected to the TDI of another controller in a daisy-chain configuration, the *IEEE Standard 1149.1* expects the value on TDO to change on the falling edge of TCK.

By default, the internal pull-up resistor on the TDO pin is enabled after reset. This assures that the pin remains at a constant logic level when the JTAG port is not being used. The internal pull-up and pull-down resistors can be turned off to save internal power if a High-Z output value is acceptable during certain TAP controller states.

#### 4.3.2 JTAG TAP Controller

The JTAG TAP controller state machine is shown in Figure 4-2 on page 145. The TAP controller state machine is reset to the Test-Logic-Reset state on the assertion of a Power-On-Reset (POR) or the assertion of  $\overline{\text{TRST}}$ . Asserting the correct sequence on the TMS pin allows the JTAG module to shift in new instructions, shift in data, or idle during extended testing sequences. For detailed information on the function of the TAP controller and the operations that occur in each state, please refer to *IEEE Standard 1149.1*.

Figure 4-2. Test Access Port State Machine



### 4.3.3 Shift Registers

The Shift Registers consist of a serial shift register chain and a parallel load register. The serial shift register chain samples specific information during the TAP controller's CAPTURE states and allows this information to be shifted out of TDO during the TAP controller's SHIFT states. While the sampled data is being shifted out of the chain on TDO, new data is being shifted into the serial shift register on TDI. This new data is stored in the parallel load register during the TAP controller's UPDATE states. Each of the shift registers is discussed in detail in "Register Descriptions" on page 147.

### 4.3.4 Operational Considerations

There are certain operational considerations when using the JTAG module. Because the JTAG pins can be programmed to be GPIOs, board configuration and reset conditions on these pins must be considered. In addition, because the JTAG module has integrated ARM Serial Wire Debug, the method for switching between these two operational modes is described below.

#### 4.3.4.1 GPIO Functionality

When the microcontroller is reset with either a POR or  $\overline{\text{RST}}$ , the JTAG port pins default to their JTAG configurations. The default configuration includes enabling the pull-up resistors (setting **GPIOPUR** to 1 for **PB7** and **PC[3:0]**) and enabling the alternate hardware function (setting **GPIOAFSEL** to 1 for **PB7** and **PC[3:0]**) on the JTAG pins.

It is possible for software to configure these pins as GPIOs after reset by writing 0s to **PB7** and **PC[3:0]** in the **GPIOAFSEL** register. If the user does not require the JTAG port for debugging or board-level testing, this provides five more GPIOs for use in the design.

---

**Caution** – If the JTAG pins are used as GPIOs in a design, **PB7** and **PC2** cannot have external pull-down resistors connected to both of them at the same time. If both pins are pulled Low during reset, the controller has unpredictable behavior. If this happens, remove one or both of the pull-down resistors, and apply  $\overline{\text{RST}}$  or power-cycle the part.

It is possible to create a software sequence that prevents the debugger from connecting to the Stellaris microcontroller. If the program code loaded into flash immediately changes the JTAG pins to their GPIO functionality, the debugger may not have enough time to connect and halt the controller before the JTAG pin functionality switches. This may lock the debugger out of the part. This can be avoided with a software routine that restores JTAG functionality based on an external or software trigger.

---

#### 4.3.4.2 Communication with JTAG/SWD

Because the debug clock and the system clock can be running at different frequencies, care must be taken to maintain reliable communication with the JTAG/SWD interface. In the Capture-DR state, the result of the previous transaction, if any, is returned, together with a 3-bit ACK response. Software should check the ACK response to see if the previous operation has completed before initiating a new transaction. Alternatively, if the system clock is at least 8 times faster than the debug clock (**TCK** or **SWCLK**), the previous operation has enough time to complete and the ACK bits do not have to be checked.

#### 4.3.4.3 ARM Serial Wire Debug (SWD)

In order to seamlessly integrate the ARM Serial Wire Debug (SWD) functionality, a serial-wire debugger must be able to connect to the Cortex-M3 core without having to perform, or have any knowledge of, JTAG cycles. This is accomplished with a SWD preamble that is issued before the SWD session begins.

The switching preamble used to enable the SWD interface of the SWJ-DP module starts with the TAP controller in the Test-Logic-Reset state. From here, the preamble sequences the TAP controller through the following states: Run Test Idle, Select DR, Select IR, Capture IR, Exit1 IR, Update IR, Run Test Idle, Select DR, Select IR, Capture IR, Exit1 IR, Update IR, Run Test Idle, Select DR, Select IR, and Test-Logic-Reset states.

Stepping through the JTAG TAP Instruction Register (IR) load sequences of the TAP state machine twice without shifting in a new instruction enables the SWD interface and disables the JTAG interface. For more information on this operation and the SWD interface, see the *ARM® Debug Interface V5 Architecture Specification*.

Because this sequence is a valid series of JTAG operations that could be issued, the ARM JTAG TAP controller is not fully compliant to the *IEEE Standard 1149.1*. This is the only instance where the ARM JTAG TAP controller does not meet full compliance with the specification. Due to the low probability of this sequence occurring during normal operation of the TAP controller, it should not affect normal performance of the JTAG interface.

## 4.4 Initialization and Configuration

After a Power-On-Reset or an external reset ( $\overline{\text{RST}}$ ), the JTAG pins are automatically configured for JTAG communication. No user-defined initialization or configuration is needed. However, if the user application changes these pins to their GPIO function, they must be configured back to their JTAG functionality before JTAG communication can be restored. This is done by enabling the five JTAG pins ( $\text{PB7}$  and  $\text{PC}[3:0]$ ) for their alternate function using the **GPIOAFSEL** register. In addition to enabling the alternate functions, any other changes to the GPIO pad configurations on the five JTAG pins ( $\text{PB7}$  and  $\text{PC}[3:0]$ ) should be reverted to their default settings.

## 4.5 Register Descriptions

There are no APB-accessible registers in the JTAG TAP Controller or Shift Register chains. The registers within the JTAG controller are all accessed serially through the TAP Controller. The registers can be broken down into two main categories: Instruction Registers and Data Registers.

### 4.5.1 Instruction Register (IR)

The JTAG TAP Instruction Register (IR) is a four-bit serial scan chain connected between the JTAG  $\text{TDI}$  and  $\text{TDO}$  pins with a parallel load register. When the TAP Controller is placed in the correct states, bits can be shifted into the Instruction Register. Once these bits have been shifted into the chain and updated, they are interpreted as the current instruction. The decode of the Instruction Register bits is shown in Table 4-4 on page 147. A detailed explanation of each instruction, along with its associated Data Register, follows.

**Table 4-4. JTAG Instruction Register Commands**

| IR[3:0]    | Instruction      | Description  |
|------------|------------------|--|
| 0000       | EXTEST           | Drives the values preloaded into the Boundary Scan Chain by the SAMPLE/PRELOAD instruction onto the pads.                          |
| 0001       | INTEST           | Drives the values preloaded into the Boundary Scan Chain by the SAMPLE/PRELOAD instruction into the controller.                    |
| 0010       | SAMPLE / PRELOAD | Captures the current I/O values and shifts the sampled values out of the Boundary Scan Chain while new preload data is shifted in. |
| 1000       | ABORT            | Shifts data into the ARM Debug Port Abort Register.  |
| 1010       | DPACC            | Shifts data into and out of the ARM DP Access Register.  |
| 1011       | APACC            | Shifts data into and out of the ARM AC Access Register.  |
| 1110       | IDCODE           | Loads manufacturing information defined by the <i>IEEE Standard 1149.1</i> into the IDCODE chain and shifts it out.                |
| 1111       | BYPASS           | Connects $\text{TDI}$ to $\text{TDO}$ through a single Shift Register chain.   |
| All Others | Reserved         | Defaults to the BYPASS instruction to ensure that $\text{TDI}$ is always connected to $\text{TDO}$ .                               |

#### 4.5.1.1 EXTEST Instruction

The EXTEST instruction is not associated with its own Data Register chain. The EXTEST instruction uses the data that has been preloaded into the Boundary Scan Data Register using the SAMPLE/PRELOAD instruction. When the EXTEST instruction is present in the Instruction Register, the preloaded data in the Boundary Scan Data Register associated with the outputs and output enables are used to drive the GPIO pads rather than the signals coming from the core. This allows tests to be developed that drive known values out of the controller, which can be used to verify connectivity. While the EXTEST instruction is present in the Instruction Register, the Boundary Scan

Data Register can be accessed to sample and shift out the current data and load new data into the Boundary Scan Data Register.

#### 4.5.1.2 **INTEST Instruction**

The INTEST instruction is not associated with its own Data Register chain. The INTEST instruction uses the data that has been preloaded into the Boundary Scan Data Register using the SAMPLE/PRELOAD instruction. When the INTEST instruction is present in the Instruction Register, the preloaded data in the Boundary Scan Data Register associated with the inputs are used to drive the signals going into the core rather than the signals coming from the GPIO pads. This allows tests to be developed that drive known values into the controller, which can be used for testing. It is important to note that although the  $\overline{\text{RST}}$  input pin is on the Boundary Scan Data Register chain, it is only observable. While the INTEST instruction is present in the Instruction Register, the Boundary Scan Data Register can be accessed to sample and shift out the current data and load new data into the Boundary Scan Data Register.

#### 4.5.1.3 **SAMPLE/PRELOAD Instruction**

The SAMPLE/PRELOAD instruction connects the Boundary Scan Data Register chain between  $\text{TDI}$  and  $\text{TDO}$ . This instruction samples the current state of the pad pins for observation and preloads new test data. Each GPIO pad has an associated input, output, and output enable signal. When the TAP controller enters the Capture DR state during this instruction, the input, output, and output-enable signals to each of the GPIO pads are captured. These samples are serially shifted out of  $\text{TDO}$  while the TAP controller is in the Shift DR state and can be used for observation or comparison in various tests.

While these samples of the inputs, outputs, and output enables are being shifted out of the Boundary Scan Data Register, new data is being shifted into the Boundary Scan Data Register from  $\text{TDI}$ . Once the new data has been shifted into the Boundary Scan Data Register, the data is saved in the parallel load registers when the TAP controller enters the Update DR state. This update of the parallel load register preloads data into the Boundary Scan Data Register that is associated with each input, output, and output enable. This preloaded data can be used with the EXTEST and INTEST instructions to drive data into or out of the controller. Please see “Boundary Scan Data Register” on page 150 for more information.

#### 4.5.1.4 **ABORT Instruction**

The ABORT instruction connects the associated ABORT Data Register chain between  $\text{TDI}$  and  $\text{TDO}$ . This instruction provides read and write access to the ABORT Register of the ARM Debug Access Port (DAP). Shifting the proper data into this Data Register clears various error bits or initiates a DAP abort of a previous request. Please see the “ABORT Data Register” on page 150 for more information.

#### 4.5.1.5 **DPACC Instruction**

The DPACC instruction connects the associated DPACC Data Register chain between  $\text{TDI}$  and  $\text{TDO}$ . This instruction provides read and write access to the DPACC Register of the ARM Debug Access Port (DAP). Shifting the proper data into this register and reading the data output from this register allows read and write access to the ARM debug and status registers. Please see “DPACC Data Register” on page 150 for more information.

#### 4.5.1.6 **APACC Instruction**

The APACC instruction connects the associated APACC Data Register chain between  $\text{TDI}$  and  $\text{TDO}$ . This instruction provides read and write access to the APACC Register of the ARM Debug Access Port (DAP). Shifting the proper data into this register and reading the data output from this

register allows read and write access to internal components and buses through the Debug Port. Please see “APACC Data Register” on page 150 for more information.

#### 4.5.1.7 IDCODE Instruction

The IDCODE instruction connects the associated IDCODE Data Register chain between TDI and TDO. This instruction provides information on the manufacturer, part number, and version of the ARM core. This information can be used by testing equipment and debuggers to automatically configure their input and output data streams. IDCODE is the default instruction that is loaded into the JTAG Instruction Register when a Power-On-Reset (POR) is asserted,  $\overline{\text{TRST}}$  is asserted, or the Test-Logic-Reset state is entered. Please see “IDCODE Data Register” on page 149 for more information.

#### 4.5.1.8 BYPASS Instruction

The BYPASS instruction connects the associated BYPASS Data Register chain between TDI and TDO. This instruction is used to create a minimum length serial path between the TDI and TDO ports. The BYPASS Data Register is a single-bit shift register. This instruction improves test efficiency by allowing components that are not needed for a specific test to be bypassed in the JTAG scan chain by loading them with the BYPASS instruction. Please see “BYPASS Data Register” on page 149 for more information.

### 4.5.2 Data Registers

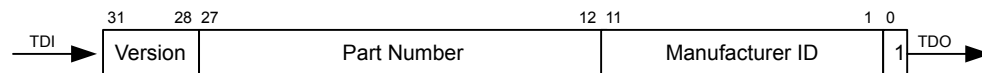
The JTAG module contains six Data Registers. These include: IDCODE, BYPASS, Boundary Scan, APACC, DPACC, and ABORT serial Data Register chains. Each of these Data Registers is discussed in the following sections.

#### 4.5.2.1 IDCODE Data Register

The format for the 32-bit IDCODE Data Register defined by the *IEEE Standard 1149.1* is shown in Figure 4-3 on page 149. The standard requires that every JTAG-compliant device implement either the IDCODE instruction or the BYPASS instruction as the default instruction. The LSB of the IDCODE Data Register is defined to be a 1 to distinguish it from the BYPASS instruction, which has an LSB of 0. This allows auto configuration test tools to determine which instruction is the default instruction.

The major uses of the JTAG port are for manufacturer testing of component assembly, and program development and debug. To facilitate the use of auto-configuration debug tools, the IDCODE instruction outputs a value of 0x1BA0.0477. This allows the debuggers to automatically configure themselves to work correctly with the Cortex-M3 during debug.

**Figure 4-3. IDCODE Register Format**

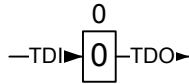


#### 4.5.2.2 BYPASS Data Register

The format for the 1-bit BYPASS Data Register defined by the *IEEE Standard 1149.1* is shown in Figure 4-4 on page 150. The standard requires that every JTAG-compliant device implement either the BYPASS instruction or the IDCODE instruction as the default instruction. The LSB of the BYPASS

Data Register is defined to be a 0 to distinguish it from the IDCODE instruction, which has an LSB of 1. This allows auto configuration test tools to determine which instruction is the default instruction.

**Figure 4-4. BYPASS Register Format**

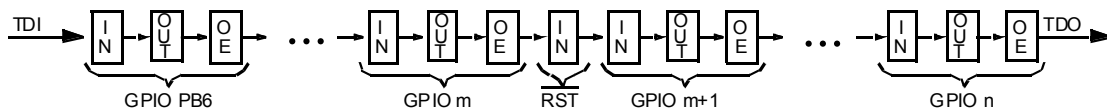


**4.5.2.3 Boundary Scan Data Register**

The format of the Boundary Scan Data Register is shown in Figure 4-5 on page 150. Each GPIO pin, starting with a GPIO pin next to the JTAG port pins, is included in the Boundary Scan Data Register. Each GPIO pin has three associated digital signals that are included in the chain. These signals are input, output, and output enable, and are arranged in that order as can be seen in the figure.

When the Boundary Scan Data Register is accessed with the SAMPLE/PRELOAD instruction, the input, output, and output enable from each digital pad are sampled and then shifted out of the chain to be verified. The sampling of these values occurs on the rising edge of TCK in the Capture DR state of the TAP controller. While the sampled data is being shifted out of the Boundary Scan chain in the Shift DR state of the TAP controller, new data can be preloaded into the chain for use with the EXTEST and INTEST instructions. These instructions either force data out of the controller, with the EXTEST instruction, or into the controller, with the INTEST instruction.

**Figure 4-5. Boundary Scan Register Format**



**4.5.2.4 APACC Data Register**

The format for the 35-bit APACC Data Register defined by ARM is described in the *ARM® Debug Interface V5 Architecture Specification*.

**4.5.2.5 DPACC Data Register**

The format for the 35-bit DPACC Data Register defined by ARM is described in the *ARM® Debug Interface V5 Architecture Specification*.

**4.5.2.6 ABORT Data Register**

The format for the 35-bit ABORT Data Register defined by ARM is described in the *ARM® Debug Interface V5 Architecture Specification*.

## 5 System Control

System control determines the overall operation of the device. It provides information about the device, controls the clocking to the core and individual peripherals, and handles reset detection and reporting.

### 5.1 Signal Description

Table 5-1 on page 151 and Table 5-2 on page 151 list the external signals of the System Control module and describe the function of each. The **NMI** signal is the alternate function for and functions as a GPIO after reset. under commit protection and require a special process to be configured as any alternate function or to subsequently return to the GPIO function. The column in the table below titled "Pin Assignment" lists the GPIO pin placement for the **NMI** signal. The **AFSEL** bit in the **GPIO Alternate Function Select (GPIOAFSEL)** register (page 245) should be set to choose the **NMI** function. For more information on configuring GPIOs, see "General-Purpose Input/Outputs (GPIOs)" on page 224. The remaining signals (with the word "fixed" in the Pin Assignment column) have a fixed pin assignment and function.

**Table 5-1. System Control & Clocks Signals (48QFP)**

| Pin Name | Pin Number | Pin Type | Buffer Type <sup>a</sup> | Description   |
|----------|------------|----------|--------------------------|---|
| OSC0     | 9          | I        | Analog                   | Main oscillator crystal input or an external clock reference input.                       |
| OSC1     | 10         | O        | Analog                   | Main oscillator crystal output. Leave unconnected when using a single-ended clock source. |
| RST      | 5          | I        | TTL                      | System reset input.   |

a. The TTL designation indicates the pin has TTL-compatible voltage levels.

**Table 5-2. System Control & Clocks Signals (48QFN)**

| Pin Name | Pin Number | Pin Type | Buffer Type <sup>a</sup> | Description   |
|----------|------------|----------|--------------------------|---|
| OSC0     | 9          | I        | Analog                   | Main oscillator crystal input or an external clock reference input.                       |
| OSC1     | 10         | O        | Analog                   | Main oscillator crystal output. Leave unconnected when using a single-ended clock source. |
| RST      | 5          | I        | TTL                      | System reset input.   |

a. The TTL designation indicates the pin has TTL-compatible voltage levels.

### 5.2 Functional Description

The System Control module provides the following capabilities:

- Device identification (see "Device Identification" on page 151)
- Local control, such as reset (see "Reset Control" on page 152), power (see "Power Control" on page 156) and clock control (see "Clock Control" on page 156)
- System control (Run, Sleep, and Deep-Sleep modes); see "System Control" on page 160

#### 5.2.1 Device Identification

Several read-only registers provide software with information on the microcontroller, such as version, part number, SRAM size, flash size, and other features. See the **DID0**, **DID1**, and **DC0-DC4** registers.

## 5.2.2 Reset Control

This section discusses aspects of hardware functions during reset as well as system software requirements following the reset sequence.

### 5.2.2.1 Reset Sources

The controller has six sources of reset:

1. External reset input pin ( $\overline{\text{RST}}$ ) assertion; see “External  $\overline{\text{RST}}$  Pin” on page 153.
2. Power-on reset (POR); see “Power-On Reset (POR)” on page 152.
3. Internal brown-out (BOR) detector; see “Brown-Out Reset (BOR)” on page 154.
4. Software-initiated reset (with the software reset registers); see “Software Reset” on page 155.
5. A watchdog timer reset condition violation; see “Watchdog Timer Reset” on page 155.
6. Internal low drop-out (LDO) regulator output.

Table 5-3 provides a summary of results of the various reset operations.

**Table 5-3. Reset Sources**

| Reset Source                               | Core Reset? | JTAG Reset?     | On-Chip Peripherals Reset? |
|--|-------------|-----------------|----------------------------|
| Power-On Reset                             | Yes         | Yes             | Yes                        |
| $\overline{\text{RST}}$                    | Yes         | Pin Config Only | Yes                        |
| Brown-Out Reset                            | Yes         | No              | Yes                        |
| Software System Request Reset <sup>a</sup> | Yes         | No              | Yes                        |
| Software Peripheral Reset                  | No          | No              | Yes <sup>b</sup>           |
| Watchdog Reset                             | Yes         | No              | Yes                        |
| LDO Reset                                  | Yes         | No              | Yes                        |

a. By using the `SYSRESREQ` bit in the ARM Cortex-M3 **Application Interrupt and Reset Control (APINT)** register

b. Programmable on a module-by-module basis using the Software Reset Control Registers.

After a reset, the **Reset Cause (RESC)** register is set with the reset cause. The bits in this register are sticky and maintain their state across multiple reset sequences, except when an external reset is the cause, and then all the other bits in the **RESC** register are cleared.

**Note:** The main oscillator is used for external resets and power-on resets; the internal oscillator is used during the internal process by internal reset and clock verification circuitry.

### 5.2.2.2 Power-On Reset (POR)

**Note:** The power-on reset also resets the JTAG controller. An external reset does not.

The internal Power-On Reset (POR) circuit monitors the power supply voltage ( $V_{DD}$ ) and generates a reset signal to all of the internal logic including JTAG when the power supply ramp reaches a threshold value ( $V_{TH}$ ). The microcontroller must be operating within the specified operating parameters when the on-chip power-on reset pulse is complete. The 3.3-V power supply to the microcontroller must reach 3.0 V within 10 msec of  $V_{DD}$  crossing 2.0 V to guarantee proper operation. For applications that require the use of an external reset signal to hold the microcontroller in reset longer than the internal POR, the  $\overline{\text{RST}}$  input may be used as discussed in “External  $\overline{\text{RST}}$  Pin” on page 153.

The Power-On Reset sequence is as follows:

1. The microcontroller waits for internal POR to go inactive.
2. The internal reset is released and the core loads from memory the initial stack pointer, the initial program counter, and the first instruction designated by the program counter, and then begins execution.

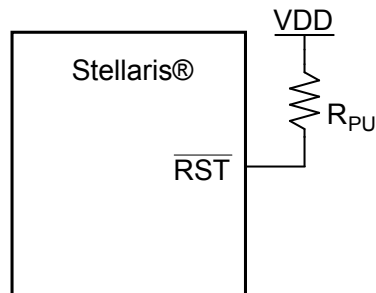
The internal POR is only active on the initial power-up of the microcontroller. The Power-On Reset timing is shown in Figure 17-6 on page 474.

### 5.2.2.3 External $\overline{\text{RST}}$ Pin

**Note:** It is recommended that the trace for the  $\overline{\text{RST}}$  signal must be kept as short as possible. Be sure to place any components connected to the  $\overline{\text{RST}}$  signal as close to the microcontroller as possible.

If the application only uses the internal POR circuit, the  $\overline{\text{RST}}$  input must be connected to the power supply ( $V_{\text{DD}}$ ) through an optional pull-up resistor (0 to 100K  $\Omega$ ) as shown in Figure 5-1 on page 153.

**Figure 5-1. Basic  $\overline{\text{RST}}$  Configuration**

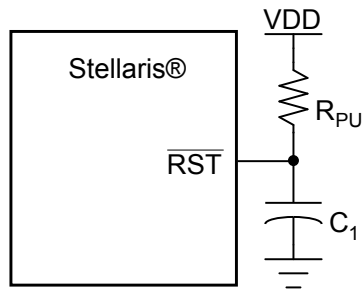


$R_{\text{PU}} = 0$  to 100 k $\Omega$

The external reset pin ( $\overline{\text{RST}}$ ) resets the microcontroller including the core and all the on-chip peripherals except the JTAG TAP controller (see “JTAG Interface” on page 140). The external reset sequence is as follows:

1. The external reset pin ( $\overline{\text{RST}}$ ) is asserted for the duration specified by  $T_{\text{MIN}}$  and then de-asserted (see “Reset” on page 473).
2. The internal reset is released and the core loads from memory the initial stack pointer, the initial program counter, and the first instruction designated by the program counter, and then begins execution.

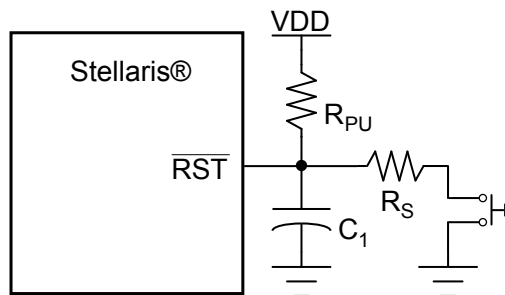
To improve noise immunity and/or to delay reset at power up, the  $\overline{\text{RST}}$  input may be connected to an RC network as shown in Figure 5-2 on page 154.

**Figure 5-2. External Circuitry to Extend Power-On Reset**

$$R_{PU} = 1 \text{ k}\Omega \text{ to } 100 \text{ k}\Omega$$

$$C_1 = 1 \text{ nF to } 10 \text{ }\mu\text{F}$$

If the application requires the use of an external reset switch, Figure 5-3 on page 154 shows the proper circuitry to use.

**Figure 5-3. Reset Circuit Controlled by Switch**

$$\text{Typical } R_{PU} = 10 \text{ k}\Omega$$

$$\text{Typical } R_S = 470 \text{ }\Omega$$

$$C_1 = 10 \text{ nF}$$

The  $R_{PU}$  and  $C_1$  components define the power-on delay.

The external reset timing is shown in Figure 17-5 on page 473.

#### 5.2.2.4 Brown-Out Reset (BOR)

A drop in the input voltage resulting in the assertion of the internal brown-out detector can be used to reset the controller. This is initially disabled and may be enabled by software.

The system provides a brown-out detection circuit that triggers if the power supply ( $V_{DD}$ ) drops below a brown-out threshold voltage ( $V_{BTH}$ ). The circuit is provided to guard against improper operation of logic and peripherals that operate off the power supply voltage ( $V_{DD}$ ) and not the LDO voltage. If a brown-out condition is detected, the system may generate a controller interrupt or a system reset. The BOR circuit has a digital filter that protects against noise-related detection for the interrupt condition. This feature may be optionally enabled.

Brown-out resets are controlled with the **Power-On and Brown-Out Reset Control (PBORCTL)** register. The `BORIOR` bit in the **PBORCTL** register must be set for a brown-out condition to trigger a reset.

The brown-out reset sequence is as follows:

1. When  $V_{DD}$  drops below  $V_{BTH}$ , an internal BOR condition is set.
2. If the `BORWT` bit in the **PBORCTL** register is set and `BORIOR` is not set, the BOR condition is resampled, after a delay specified by `BORTIM`, to determine if the original condition was caused by noise. If the BOR condition is not met the second time, then no further action is taken.
3. If the BOR condition exists, an internal reset is asserted.
4. The internal reset is released and the controller fetches and loads the initial stack pointer, the initial program counter, the first instruction designated by the program counter, and begins execution.
5. The internal BOR condition is reset after 500  $\mu$ s to prevent another BOR condition from being set before software has a chance to investigate the original cause.

The internal Brown-Out Reset timing is shown in Figure 17-7 on page 474.

### 5.2.2.5 Software Reset

Software can reset a specific peripheral or generate a reset to the entire system .

Peripherals can be individually reset by software via three registers that control reset signals to each peripheral (see the **SRCRn** registers). If the bit position corresponding to a peripheral is set and subsequently cleared, the peripheral is reset. The encoding of the reset registers is consistent with the encoding of the clock gating control for peripherals and on-chip functions (see “System Control” on page 160). Note that all reset signals for all clocks of the specified unit are asserted as a result of a software-initiated reset.

The entire system can be reset by software by setting the `SYSRESETREQ` bit in the Cortex-M3 Application Interrupt and Reset Control register resets the entire system including the core. The software-initiated system reset sequence is as follows:

1. A software system reset is initiated by writing the `SYSRESETREQ` bit in the ARM Cortex-M3 Application Interrupt and Reset Control register.
2. An internal reset is asserted.
3. The internal reset is deasserted and the controller loads from memory the initial stack pointer, the initial program counter, and the first instruction designated by the program counter, and then begins execution.

The software-initiated system reset timing is shown in Figure 17-8 on page 474.

### 5.2.2.6 Watchdog Timer Reset

The watchdog timer module's function is to prevent system hangs. The watchdog timer can be configured to generate an interrupt to the controller on its first time-out, and to generate a reset signal on its second time-out.

After the first time-out event, the 32-bit counter is reloaded with the value of the **Watchdog Timer Load (WDTLOAD)** register, and the timer resumes counting down from that value. If the timer counts down to its zero state again before the first time-out interrupt is cleared, and the reset signal has been enabled, the watchdog timer asserts its reset signal to the system. The watchdog timer reset sequence is as follows:

1. The watchdog timer times out for the second time without being serviced.
2. An internal reset is asserted.
3. The internal reset is released and the controller loads from memory the initial stack pointer, the initial program counter, the first instruction designated by the program counter, and begins execution.

The watchdog reset timing is shown in Figure 17-9 on page 475.

### 5.2.2.7 Low Drop-Out (LDO)

A reset can be initiated when the internal low drop-out (LDO) regulator output goes unregulated. This is initially disabled and may be enabled by software. LDO is controlled with the **LDO Power Control (LDOPCTL)** register. The LDO reset sequence is as follows:

1. LDO goes unregulated and the `LDOARST` bit in the **LDOARST** register is set.
2. An internal reset is asserted.
3. The internal reset is released and the controller fetches and loads the initial stack pointer, the initial program counter, the first instruction designated by the program counter, and begins execution.

The LDO reset timing is shown in Figure 17-10 on page 475.

## 5.2.3 Power Control

The Stellaris<sup>®</sup> microcontroller provides an integrated LDO regulator that is used to provide power to the majority of the controller's internal logic. For power reduction, the LDO regulator provides software a mechanism to adjust the regulated value, in small increments (VSTEP), over the range of 2.25 V to 2.75 V (inclusive)—or  $2.5\text{ V} \pm 10\%$ . The adjustment is made by changing the value of the `VADJ` field in the **LDO Power Control (LDOPCTL)** register.

## 5.2.4 Clock Control

System control determines the control of clocks in this part.

### 5.2.4.1 Fundamental Clock Sources

There are multiple clock sources for use in the device:

- **Internal Oscillator (IOSC).** The internal oscillator is an on-chip clock source. It does not require the use of any external components. The frequency of the internal oscillator is  $12\text{ MHz} \pm 30\%$ .
- **Main Oscillator (MOSC).** The main oscillator provides a frequency-accurate clock source by one of two means: an external single-ended clock source is connected to the `OSC0` input pin, or an external crystal is connected across the `OSC0` input and `OSC1` output pins. The crystal value allowed depends on whether the main oscillator is used as the clock reference source to the PLL. If so, the crystal must be one of the supported frequencies between 3.579545 MHz through 8.192 MHz (inclusive). If the PLL is not being used, the crystal may be any one of the supported frequencies between 1 MHz and 8.192 MHz. The single-ended clock source range is from DC through the specified speed of the device. The supported crystals are listed in the `XTAL` bit field in the **RCC** register (see page 171).

The internal system clock (SysClk), is derived from any of the above sources plus two others: the output of the main internal PLL, and the internal oscillator divided by four (3 MHz  $\pm$  30%). The frequency of the PLL clock reference must be in the range of 3.579545 MHz to 8.192 MHz (inclusive). Table 5-4 on page 157 shows how the various clock sources can be used in a system.

**Table 5-4. Clock Source Options**

| Clock Source                            | Drive PLL? |                          | Used as SysClk? |                          |
|---|------------|--------------------------|-----------------|--------------------------|
| Internal Oscillator (12 MHz)            | Yes        | BYPASS = 0, OSCSRC = 0x1 | Yes             | BYPASS = 1, OSCSRC = 0x1 |
| Internal Oscillator divide by 4 (3 MHz) | Yes        | BYPASS = 0, OSCSRC = 0x2 | Yes             | BYPASS = 1, OSCSRC = 0x2 |
| Main Oscillator                         | Yes        | BYPASS = 0, OSCSRC = 0x0 | Yes             | BYPASS = 1, OSCSRC = 0x0 |

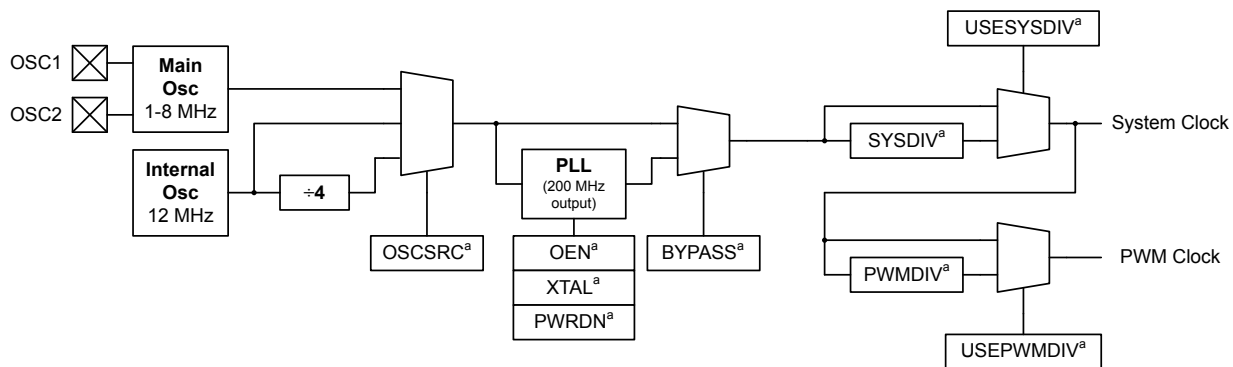
### 5.2.4.2 Clock Configuration

Nearly all of the control for the clocks is provided by the **Run-Mode Clock Configuration (RCC)** register. This register controls the following clock functionality:

- Source of clocks in sleep and deep-sleep modes
- System clock derived from PLL or other clock source
- Enabling/disabling of oscillators and PLL
- Clock divisors
- Crystal input selection

Figure 5-4 on page 157 shows the logic for the main clock tree. The peripheral blocks are driven by the system clock signal and can be individually enabled/disabled. The PWM clock signal is a synchronous divide of the system clock to provide the PWM circuit with more range (set with `PWMDIV` in **RCC**).

**Figure 5-4. Main Clock Tree**



a. These are bit fields within the **Run-Mode Clock Configuration (RCC)** register.

In the **RCC** register, the `SYSDIV` field specifies which divisor is used to generate the system clock from either the PLL output or the oscillator source (depending on how the `BYPASS` bit in this register is configured). Table 5-5 shows how the `SYSDIV` encoding affects the system clock frequency,

depending on whether the PLL is used (BYPASS=0) or another clock source is used (BYPASS=1). The divisor is equivalent to the SYSDIV encoding plus 1. For a list of possible clock sources, see Table 5-4 on page 157.

**Table 5-5. Possible System Clock Frequencies Using the SYSDIV Field**

| SYSDIV | Divisor | Frequency (BYPASS=0) | Frequency (BYPASS=1)      | StellarisWare Parameter <sup>a</sup> |
|--------|---------|----------------------|---------------------------|--------------------------------------|
| 0x0    | /1      | reserved             | Clock source frequency/2  | SYSCCTL_SYSDIV_1 <sup>b</sup>        |
| 0x1    | /2      | reserved             | Clock source frequency/2  | SYSCCTL_SYSDIV_2                     |
| 0x2    | /3      | reserved             | Clock source frequency/3  | SYSCCTL_SYSDIV_3                     |
| 0x3    | /4      | reserved             | Clock source frequency/4  | SYSCCTL_SYSDIV_4                     |
| 0x4    | /5      | reserved             | Clock source frequency/5  | SYSCCTL_SYSDIV_5                     |
| 0x5    | /6      | reserved             | Clock source frequency/6  | SYSCCTL_SYSDIV_6                     |
| 0x6    | /7      | reserved             | Clock source frequency/7  | SYSCCTL_SYSDIV_7                     |
| 0x7    | /8      | 25 MHz               | Clock source frequency/8  | SYSCCTL_SYSDIV_8                     |
| 0x8    | /9      | reserved             | Clock source frequency/9  | SYSCCTL_SYSDIV_9                     |
| 0x9    | /10     | 20 MHz               | Clock source frequency/10 | SYSCCTL_SYSDIV_10                    |
| 0xA    | /11     | 18.18 MHz            | Clock source frequency/11 | SYSCCTL_SYSDIV_11                    |
| 0xB    | /12     | 16.67 MHz            | Clock source frequency/12 | SYSCCTL_SYSDIV_12                    |
| 0xC    | /13     | 15.38 MHz            | Clock source frequency/13 | SYSCCTL_SYSDIV_13                    |
| 0xD    | /14     | 14.29 MHz            | Clock source frequency/14 | SYSCCTL_SYSDIV_14                    |
| 0xE    | /15     | 13.33 MHz            | Clock source frequency/15 | SYSCCTL_SYSDIV_15                    |
| 0xF    | /16     | 12.5 MHz (default)   | Clock source frequency/16 | SYSCCTL_SYSDIV_16                    |

a. This parameter is used in functions such as SysCtlClockSet() in the Stellaris Peripheral Driver Library.

b. SYSCCTL\_SYSDIV\_1 does not set the USESYSCLK bit. As a result, using this parameter without enabling the PLL results in the system clock having the same frequency as the clock source.

### 5.2.4.3 Crystal Configuration for the Main Oscillator (MOSC)

The main oscillator supports the use of a select number of crystals. If the main oscillator is used by the PLL as a reference clock, the supported range of crystals is 3.579545 to 8.192 MHz, otherwise, the range of supported crystals is 1 to 8.192 MHz.

The XTAL bit in the **RCC** register (see page 171) describes the available crystal choices and default programming values.

Software configures the **RCC** register XTAL field with the crystal number. If the PLL is used in the design, the XTAL field value is internally translated to the PLL settings.

### 5.2.4.4 Main PLL Frequency Configuration

The main PLL is disabled by default during power-on reset and is enabled later by software if required. Software configures the main PLL input reference clock source, specifies the output divisor to set the system clock frequency, and enables the main PLL to drive the output.

If the main oscillator provides the clock reference to the main PLL, the translation provided by hardware and used to program the PLL is available for software in the **XTAL to PLL Translation (PLLCFG)** register (see page 175). The internal translation provides a translation within  $\pm 1\%$  of the targeted PLL VCO frequency.

The Crystal Value field ( $XTAL$ ) in the **Run-Mode Clock Configuration (RCC)** register (see page 171) describes the available crystal choices and default programming of the **PLLCFG** register. Any time the  $XTAL$  field changes, the new settings are translated and the internal PLL settings are updated.

#### 5.2.4.5 PLL Modes

The PLL has two modes of operation: Normal and Power-Down

- Normal: The PLL multiplies the input clock reference and drives the output.
- Power-Down: Most of the PLL internal circuitry is disabled and the PLL does not drive the output.

The modes are programmed using the **RCC** register fields (see page 171).

#### 5.2.4.6 PLL Operation

If a PLL configuration is changed, the PLL output frequency is unstable until it reconverges (relocks) to the new setting. The time between the configuration change and relock is  $T_{READY}$  (see Table 17-7 on page 471). During the relock time, the affected PLL is not usable as a clock reference.

PLL is changed by one of the following:

- Change to the  $XTAL$  value in the **RCC** register—writes of the same value do not cause a relock.
- Change in the PLL from Power-Down to Normal mode.

A counter is defined to measure the  $T_{READY}$  requirement. The counter is clocked by the main oscillator. The range of the main oscillator has been taken into account and the down counter is set to 0x1200 (that is, ~600  $\mu$ s at an 8.192 MHz external oscillator clock). Hardware is provided to keep the PLL from being used as a system clock until the  $T_{READY}$  condition is met after one of the two changes above. It is the user's responsibility to have a stable clock source (like the main oscillator) before the **RCC** register is switched to use the PLL.

If the main PLL is enabled and the system clock is switched to use the PLL in one step, the system control hardware continues to clock the controller from the oscillator selected by the **RCC** register until the main PLL is stable ( $T_{READY}$  time met), after which it changes to the PLL. Software can use many methods to ensure that the system is clocked from the main PLL, including periodically polling the  $PLLLRIS$  bit in the **Raw Interrupt Status (RIS)** register, and enabling the PLL Lock interrupt.

#### 5.2.4.7 Clock Verification Timers

There are three identical clock verification circuits that can be enabled through software. The circuit checks the faster clock by a slower clock using timers:

- The main oscillator checks the PLL.
- The main oscillator checks the internal oscillator.
- The internal oscillator divided by 64 checks the main oscillator.

If the verification timer function is enabled and a failure is detected, the main clock tree is immediately switched to a working clock and an interrupt is generated to the controller. Software can then determine the course of action to take. The actual failure indication and clock switching does not clear without a write to the **CLKVCLR** register, an external reset, or a POR reset. The clock verification timers are controlled by the  $PLLVER$ ,  $IOSCVER$ , and  $MOSCVER$  bits in the **RCC** register.

## 5.2.5 System Control

For power-savings purposes, the **RCGCn**, **SCGCn**, and **DCGCn** registers control the clock gating logic for each peripheral or block in the system while the controller is in Run, Sleep, and Deep-Sleep mode, respectively. The **DC1**, **DC2** and **DC4** registers act as a write mask for the **RCGCn**, **SCGCn**, and **DCGCn** registers.

There are three levels of operation for the device defined as:

- **Run Mode.** In Run mode, the controller actively executes code. Run mode provides normal operation of the processor and all of the peripherals that are currently enabled by the **RCGCn** registers. The system clock can be any of the available clock sources including the PLL.
- **Sleep Mode.** In Sleep mode, the clock frequency of the active peripherals is unchanged, but the processor and the memory subsystem are not clocked and therefore no longer execute code. Sleep mode is entered by the Cortex-M3 core executing a **WFI**(Wait for Interrupt) instruction. Any properly configured interrupt event in the system will bring the processor back into Run mode. See “Power Management” on page 77 for more details.

Peripherals are clocked that are enabled in the **SCGCn** register when auto-clock gating is enabled (see the **RCC** register) or the **RCGCn** register when the auto-clock gating is disabled. The system clock has the same source and frequency as that during Run mode.

- **Deep-Sleep Mode.** In Deep-Sleep mode, the clock frequency of the active peripherals may change (depending on the Run mode clock configuration) in addition to the processor clock being stopped. An interrupt returns the device to Run mode from one of the sleep modes. Deep-Sleep mode is entered by first writing the Deep Sleep Enable bit in the ARM Cortex-M3 NVIC system control register and then executing a **WFI** instruction. Any properly configured interrupt event in the system will bring the processor back into Run mode. See “Power Management” on page 77 for more details.

The Cortex-M3 processor core and the memory subsystem are not clocked. Peripherals are clocked that are enabled in the **DCGCn** register when auto-clock gating is enabled (see the **RCC** register) or the **RCGCn** register when auto-clock gating is disabled. The system clock source is the main oscillator by default or the internal oscillator specified in the **DSLPCCLKCFG** register if one is enabled. When the **DSLPCCLKCFG** register is used, the internal oscillator is powered up, if necessary, and the main oscillator is powered down. If the PLL is running at the time of the **WFI** instruction, hardware will power the PLL down. When the Deep-Sleep exit event occurs, hardware brings the system clock back to the source and frequency it had at the onset of Deep-Sleep mode before enabling the clocks that had been stopped during the Deep-Sleep duration.

---

**Caution – If the Cortex-M3 Debug Access Port (DAP) has been enabled, and the device wakes from a low power sleep or deep-sleep mode, the core may start executing code before all clocks to peripherals have been restored to their run mode configuration. The DAP is usually enabled by software tools accessing the JTAG or SWD interface when debugging or flash programming. If this condition occurs, a Hard Fault is triggered when software accesses a peripheral with an invalid clock.**

A software delay loop can be used at the beginning of the interrupt routine that is used to wake up a system from a **WFI** (Wait For Interrupt) instruction. This stalls the execution of any code that accesses a peripheral register that might cause a fault. This loop can be removed for production software as the DAP is most likely not enabled during normal execution.

Because the DAP is disabled by default (power on reset), the user can also power-cycle the device. The DAP is not enabled unless it is enabled through the JTAG or SWD interface.

---

## 5.3 Initialization and Configuration

The PLL is configured using direct register writes to the **RCC** register. The steps required to successfully change the PLL-based system clock are:

1. Bypass the PLL and system clock divider by setting the **BYPASS** bit and clearing the **USESYS** bit in the **RCC** register. This configures the system to run off a “raw” clock source and allows for the new PLL configuration to be validated before switching the system clock to the PLL.
2. Select the crystal value (**XTAL**) and oscillator source (**OSCSRC**), and clear the **PWRDN** and **OEN** bits in **RCC**. Setting the **XTAL** field automatically pulls valid PLL configuration data for the appropriate crystal, and clearing the **PWRDN** and **OEN** bits powers and enables the PLL and its output.
3. Select the desired system divider (**SYSDIV**) in **RCC** and set the **USESYS** bit in **RCC**. The **SYSDIV** field determines the system frequency for the microcontroller.
4. Wait for the PLL to lock by polling the **PLLLRIS** bit in the **Raw Interrupt Status (RIS)** register.
5. Enable use of the PLL by clearing the **BYPASS** bit in **RCC**.

**Note:** If the **BYPASS** bit is cleared before the PLL locks, it is possible to render the device unusable.

## 5.4 Register Map

Table 5-6 on page 161 lists the System Control registers, grouped by function. The offset listed is a hexadecimal increment to the register's address, relative to the System Control base address of 0x400F.E000.

**Note:** Spaces in the System Control register space that are not used are reserved for future or internal use. Software should not modify any reserved memory address.

**Table 5-6. System Control Register Map**

| Offset | Name    | Type | Reset       | Description                          | See page |
|--------|---------|------|-------------|--------------------------------------|----------|
| 0x000  | DID0    | RO   | -           | Device Identification 0              | 163      |
| 0x004  | DID1    | RO   | -           | Device Identification 1              | 179      |
| 0x008  | DC0     | RO   | 0x000F.0007 | Device Capabilities 0                | 181      |
| 0x010  | DC1     | RO   | 0x0010.709F | Device Capabilities 1                | 182      |
| 0x014  | DC2     | RO   | 0x0707.0013 | Device Capabilities 2                | 184      |
| 0x018  | DC3     | RO   | 0xBF00.7FFF | Device Capabilities 3                | 186      |
| 0x01C  | DC4     | RO   | 0x0000.001F | Device Capabilities 4                | 188      |
| 0x030  | PBORCTL | R/W  | 0x0000.7FFD | Power-On and Brown-Out Reset Control | 165      |
| 0x034  | LDOPCTL | R/W  | 0x0000.0000 | LDO Power Control                    | 166      |
| 0x040  | SRCR0   | R/W  | 0x00000000  | Software Reset Control 0             | 203      |
| 0x044  | SRCR1   | R/W  | 0x00000000  | Software Reset Control 1             | 204      |
| 0x048  | SRCR2   | R/W  | 0x00000000  | Software Reset Control 2             | 206      |

Table 5-6. System Control Register Map (continued)

| Offset | Name        | Type  | Reset       | Description                                     | See page |
|--------|-------------|-------|-------------|---|----------|
| 0x050  | RIS         | RO    | 0x0000.0000 | Raw Interrupt Status                            | 167      |
| 0x054  | IMC         | R/W   | 0x0000.0000 | Interrupt Mask Control                          | 168      |
| 0x058  | MISC        | R/W1C | 0x0000.0000 | Masked Interrupt Status and Clear               | 169      |
| 0x05C  | RESC        | R/W   | -           | Reset Cause                                     | 170      |
| 0x060  | RCC         | R/W   | 0x078E.3AC0 | Run-Mode Clock Configuration                    | 171      |
| 0x064  | PLLCFG      | RO    | -           | XTAL to PLL Translation                         | 175      |
| 0x100  | RCGC0       | R/W   | 0x00000040  | Run Mode Clock Gating Control Register 0        | 189      |
| 0x104  | RCGC1       | R/W   | 0x00000000  | Run Mode Clock Gating Control Register 1        | 192      |
| 0x108  | RCGC2       | R/W   | 0x00000000  | Run Mode Clock Gating Control Register 2        | 198      |
| 0x110  | SCGC0       | R/W   | 0x00000040  | Sleep Mode Clock Gating Control Register 0      | 190      |
| 0x114  | SCGC1       | R/W   | 0x00000000  | Sleep Mode Clock Gating Control Register 1      | 194      |
| 0x118  | SCGC2       | R/W   | 0x00000000  | Sleep Mode Clock Gating Control Register 2      | 199      |
| 0x120  | DCGC0       | R/W   | 0x00000040  | Deep Sleep Mode Clock Gating Control Register 0 | 191      |
| 0x124  | DCGC1       | R/W   | 0x00000000  | Deep Sleep Mode Clock Gating Control Register 1 | 196      |
| 0x128  | DCGC2       | R/W   | 0x00000000  | Deep Sleep Mode Clock Gating Control Register 2 | 201      |
| 0x144  | DSLPCCLKCFG | R/W   | 0x0780.0000 | Deep Sleep Clock Configuration                  | 176      |
| 0x150  | CLKVCLR     | R/W   | 0x0000.0000 | Clock Verification Clear                        | 177      |
| 0x160  | LDOARST     | R/W   | 0x0000.0000 | Allow Unregulated LDO to Reset the Part         | 178      |

## 5.5 Register Descriptions

All addresses given are relative to the System Control base address of 0x400F.E000.

## Register 1: Device Identification 0 (DID0), offset 0x000

This register identifies the version of the microcontroller. Each microcontroller is uniquely identified by the combined values of the `CLASS` field in the **DID0** register and the `PARTNO` field in the **DID1** register.

### Device Identification 0 (DID0)

Base 0x400F.E000

Offset 0x000

Type RO, reset -

|       |          |     |    |    |    |          |    |    |       |    |    |    |    |    |    |    |
|-------|----------|-----|----|----|----|----------|----|----|-------|----|----|----|----|----|----|----|
|       | 31       | 30  | 29 | 28 | 27 | 26       | 25 | 24 | 23    | 22 | 21 | 20 | 19 | 18 | 17 | 16 |
|       | reserved | VER |    |    |    | reserved |    |    |       |    |    |    |    |    |    |    |
| Type  | RO       | RO  | RO | RO | RO | RO       | RO | RO | RO    | RO | RO | RO | RO | RO | RO | RO |
| Reset | 0        | 0   | 0  | 0  | 0  | 0        | 0  | 0  | 0     | 0  | 0  | 0  | 0  | 0  | 0  | 0  |
|       | 15       | 14  | 13 | 12 | 11 | 10       | 9  | 8  | 7     | 6  | 5  | 4  | 3  | 2  | 1  | 0  |
|       | MAJOR    |     |    |    |    |          |    |    | MINOR |    |    |    |    |    |    |    |
| Type  | RO       | RO  | RO | RO | RO | RO       | RO | RO | RO    | RO | RO | RO | RO | RO | RO | RO |
| Reset | -        | -   | -  | -  | -  | -        | -  | -  | -     | -  | -  | -  | -  | -  | -  | -  |

| Bit/Field | Name   | Type | Reset | Description  |       |             |     |  |     |  |     |   |
|-----------|--|------|-------|--|-------|-------------|-----|--|-----|--|-----|---|
| 31        | reserved   | RO   | 0     | Software should not rely on the value of a reserved bit. To provide compatibility with future products, the value of a reserved bit should be preserved across a read-modify-write operation.  |       |             |     |  |     |  |     |   |
| 30:28     | VER  | RO   | 0x0   | <p>DID0 Version</p> <p>This field defines the <b>DID0</b> register format version. The version number is numeric. The value of the <code>VER</code> field is encoded as follows:</p> <table border="1"> <thead> <tr> <th>Value</th> <th>Description</th> </tr> </thead> <tbody> <tr> <td>0x0</td> <td>Initial <b>DID0</b> register format definition for Stellaris® Sandstorm-class devices.</td> </tr> </tbody> </table>  | Value | Description | 0x0 | Initial <b>DID0</b> register format definition for Stellaris® Sandstorm-class devices. |     |  |     |   |
| Value     | Description  |      |       |  |       |             |     |  |     |  |     |   |
| 0x0       | Initial <b>DID0</b> register format definition for Stellaris® Sandstorm-class devices. |      |       |  |       |             |     |  |     |  |     |   |
| 27:16     | reserved   | RO   | 0x0   | Software should not rely on the value of a reserved bit. To provide compatibility with future products, the value of a reserved bit should be preserved across a read-modify-write operation.  |       |             |     |  |     |  |     |   |
| 15:8      | MAJOR  | RO   | -     | <p>Major Revision</p> <p>This field specifies the major revision number of the device. The major revision reflects changes to base layers of the design. The major revision number is indicated in the part number as a letter (A for first revision, B for second, and so on). This field is encoded as follows:</p> <table border="1"> <thead> <tr> <th>Value</th> <th>Description</th> </tr> </thead> <tbody> <tr> <td>0x0</td> <td>Revision A (initial device)</td> </tr> <tr> <td>0x1</td> <td>Revision B (first base layer revision)</td> </tr> <tr> <td>0x2</td> <td>Revision C (second base layer revision)</td> </tr> </tbody> </table> <p>and so on.</p> | Value | Description | 0x0 | Revision A (initial device)  | 0x1 | Revision B (first base layer revision) | 0x2 | Revision C (second base layer revision) |
| Value     | Description  |      |       |  |       |             |     |  |     |  |     |   |
| 0x0       | Revision A (initial device)  |      |       |  |       |             |     |  |     |  |     |   |
| 0x1       | Revision B (first base layer revision)   |      |       |  |       |             |     |  |     |  |     |   |
| 0x2       | Revision C (second base layer revision)  |      |       |  |       |             |     |  |     |  |     |   |

| Bit/Field | Name  | Type | Reset | Description   |       |             |     |   |     |                           |     |                            |
|-----------|---|------|-------|---|-------|-------------|-----|---|-----|---------------------------|-----|----------------------------|
| 7:0       | MINOR                                       | RO   | -     | <p>Minor Revision</p> <p>This field specifies the minor revision number of the device. The minor revision reflects changes to the metal layers of the design. The <code>MINOR</code> field value is reset when the <code>MAJOR</code> field is changed. This field is numeric and is encoded as follows:</p> <table><thead><tr><th>Value</th><th>Description</th></tr></thead><tbody><tr><td>0x0</td><td>Initial device, or a major revision update.</td></tr><tr><td>0x1</td><td>First metal layer change.</td></tr><tr><td>0x2</td><td>Second metal layer change.</td></tr></tbody></table> <p>and so on.</p> | Value | Description | 0x0 | Initial device, or a major revision update. | 0x1 | First metal layer change. | 0x2 | Second metal layer change. |
| Value     | Description                                 |      |       |   |       |             |     |   |     |                           |     |                            |
| 0x0       | Initial device, or a major revision update. |      |       |   |       |             |     |   |     |                           |     |                            |
| 0x1       | First metal layer change.                   |      |       |   |       |             |     |   |     |                           |     |                            |
| 0x2       | Second metal layer change.                  |      |       |   |       |             |     |   |     |                           |     |                            |

**Register 2: Power-On and Brown-Out Reset Control (PBORCTL), offset 0x030**

This register is responsible for controlling reset conditions after initial power-on reset.

**Power-On and Brown-Out Reset Control (PBORCTL)**

Base 0x400F.E000

Offset 0x030

Type R/W, reset 0x0000.7FFD

|       |          |     |     |     |     |     |     |     |     |     |     |     |     |     |        |       |
|-------|----------|-----|-----|-----|-----|-----|-----|-----|-----|-----|-----|-----|-----|-----|--------|-------|
|       | 31       | 30  | 29  | 28  | 27  | 26  | 25  | 24  | 23  | 22  | 21  | 20  | 19  | 18  | 17     | 16    |
|       | reserved |     |     |     |     |     |     |     |     |     |     |     |     |     |        |       |
| Type  | RO       | RO  | RO  | RO  | RO  | RO  | RO  | RO  | RO  | RO  | RO  | RO  | RO  | RO  | RO     | RO    |
| Reset | 0        | 0   | 0   | 0   | 0   | 0   | 0   | 0   | 0   | 0   | 0   | 0   | 0   | 0   | 0      | 0     |
|       | 15       | 14  | 13  | 12  | 11  | 10  | 9   | 8   | 7   | 6   | 5   | 4   | 3   | 2   | 1      | 0     |
|       | BORTIM   |     |     |     |     |     |     |     |     |     |     |     |     |     | BORIOR | BORWT |
| Type  | R/W      | R/W | R/W | R/W | R/W | R/W | R/W | R/W | R/W | R/W | R/W | R/W | R/W | R/W | R/W    | R/W   |
| Reset | 0        | 1   | 1   | 1   | 1   | 1   | 1   | 1   | 1   | 1   | 1   | 1   | 1   | 1   | 0      | 1     |

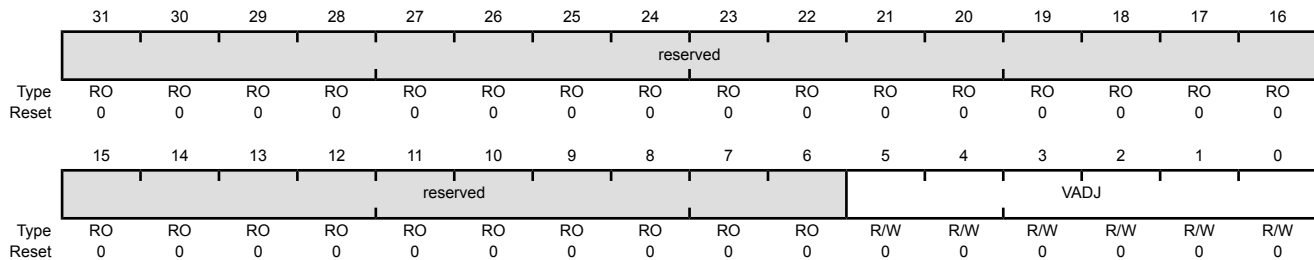
| Bit/Field | Name     | Type | Reset  | Description  |
|-----------|----------|------|--------|--|
| 31:16     | reserved | RO   | 0x0    | Software should not rely on the value of a reserved bit. To provide compatibility with future products, the value of a reserved bit should be preserved across a read-modify-write operation.  |
| 15:2      | BORTIM   | R/W  | 0x1FFF | <p>BOR Time Delay</p> <p>This field specifies the number of internal oscillator clocks delayed before the BOR output is resampled if the BORWT bit is set.</p> <p>The width of this field is derived by the <math>t_{BOR}</math> width of 500 <math>\mu</math>s and the internal oscillator (IOSC) frequency of 12 MHz <math>\pm</math> 30%. At +30%, the counter value has to exceed 7,800.</p>   |
| 1         | BORIOR   | R/W  | 0      | <p>BOR Interrupt or Reset</p> <p>This bit controls how a BOR event is signaled to the controller. If set, a reset is signaled. Otherwise, an interrupt is signaled.</p>  |
| 0         | BORWT    | R/W  | 1      | <p>BOR Wait and Check for Noise</p> <p>This bit specifies the response to a brown-out signal assertion if BORIOR is not set.</p> <p>If BORWT is set to 1 and BORIOR is cleared to 0, the controller waits BORTIM IOSC periods and resamples the BOR output. If still asserted, a BOR interrupt is signalled. If no longer asserted, the initial assertion is suppressed (attributable to noise).</p> <p>If BORWT is 0, BOR assertions do not resample the output and any condition is reported immediately if enabled.</p> |

### Register 3: LDO Power Control (LDOPCTL), offset 0x034

The  $V_{ADJ}$  field in this register adjusts the on-chip output voltage ( $V_{OUT}$ ).

#### LDO Power Control (LDOPCTL)

Base 0x400F.E000  
 Offset 0x034  
 Type R/W, reset 0x0000.0000



| Bit/Field | Name     | Type | Reset | Description   |
|-----------|----------|------|-------|---|
| 31:6      | reserved | RO   | 0     | Software should not rely on the value of a reserved bit. To provide compatibility with future products, the value of a reserved bit should be preserved across a read-modify-write operation. |
| 5:0       | VADJ     | R/W  | 0x0   | LDO Output Voltage<br>This field sets the on-chip output voltage. The programming values for the $V_{ADJ}$ field are provided below.  |

| Value     | $V_{OUT}$ (V) |
|-----------|---------------|
| 0x00      | 2.50          |
| 0x01      | 2.45          |
| 0x02      | 2.40          |
| 0x03      | 2.35          |
| 0x04      | 2.30          |
| 0x05      | 2.25          |
| 0x06-0x3F | Reserved      |
| 0x1B      | 2.75          |
| 0x1C      | 2.70          |
| 0x1D      | 2.65          |
| 0x1E      | 2.60          |
| 0x1F      | 2.55          |

**Register 4: Raw Interrupt Status (RIS), offset 0x050**

Central location for system control raw interrupts. These are set and cleared by hardware.

**Raw Interrupt Status (RIS)**

Base 0x400F.E000

Offset 0x050

Type RO, reset 0x0000.0000

|       |          |    |    |    |    |    |    |    |    |    |         |       |        |        |        |        |         |
|-------|----------|----|----|----|----|----|----|----|----|----|---------|-------|--------|--------|--------|--------|---------|
|       | 31       | 30 | 29 | 28 | 27 | 26 | 25 | 24 | 23 | 22 | 21      | 20    | 19     | 18     | 17     | 16     |         |
|       | reserved |    |    |    |    |    |    |    |    |    |         |       |        |        |        |        |         |
| Type  | RO       | RO | RO | RO | RO | RO | RO | RO | RO | RO | RO      | RO    | RO     | RO     | RO     | RO     |         |
| Reset | 0        | 0  | 0  | 0  | 0  | 0  | 0  | 0  | 0  | 0  | 0       | 0     | 0      | 0      | 0      | 0      |         |
|       | 15       | 14 | 13 | 12 | 11 | 10 | 9  | 8  | 7  | 6  | 5       | 4     | 3      | 2      | 1      | 0      |         |
|       | reserved |    |    |    |    |    |    |    |    |    | PLLLRIS | CLRIS | IOFRIS | MOFRIS | LDORIS | BORRIS | PLLFRIS |
| Type  | RO       | RO | RO | RO | RO | RO | RO | RO | RO | RO | RO      | RO    | RO     | RO     | RO     | RO     |         |
| Reset | 0        | 0  | 0  | 0  | 0  | 0  | 0  | 0  | 0  | 0  | 0       | 0     | 0      | 0      | 0      | 0      |         |

| Bit/Field | Name     | Type | Reset | Description  |
|-----------|----------|------|-------|--|
| 31:7      | reserved | RO   | 0     | Software should not rely on the value of a reserved bit. To provide compatibility with future products, the value of a reserved bit should be preserved across a read-modify-write operation.  |
| 6         | PLLLRIS  | RO   | 0     | PLL Lock Raw Interrupt Status<br>This bit is set when the PLL T <sub>READY</sub> Timer asserts.  |
| 5         | CLRIS    | RO   | 0     | Current Limit Raw Interrupt Status<br>This bit is set if the LDO's CLE output asserts.   |
| 4         | IOFRIS   | RO   | 0     | Internal Oscillator Fault Raw Interrupt Status<br>This bit is set if an internal oscillator fault is detected.   |
| 3         | MOFRIS   | RO   | 0     | Main Oscillator Fault Raw Interrupt Status<br>This bit is set if a main oscillator fault is detected.  |
| 2         | LDORIS   | RO   | 0     | LDO Power Unregulated Raw Interrupt Status<br>This bit is set if a LDO voltage is unregulated.   |
| 1         | BORRIS   | RO   | 0     | Brown-Out Reset Raw Interrupt Status<br>This bit is the raw interrupt status for any brown-out conditions. If set, a brown-out condition is currently active. This is an unregistered signal from the brown-out detection circuit. An interrupt is reported if the BOR <sub>IM</sub> bit in the <b>IMC</b> register is set and the BOR <sub>IOR</sub> bit in the <b>PBORCTL</b> register is cleared. |
| 0         | PLLFRIS  | RO   | 0     | PLL Fault Raw Interrupt Status<br>This bit is set if a PLL fault is detected (stops oscillating).  |

## Register 5: Interrupt Mask Control (IMC), offset 0x054

Central location for system control interrupt masks.

### Interrupt Mask Control (IMC)

Base 0x400F.E000  
Offset 0x054  
Type R/W, reset 0x0000.0000

|       |          |    |    |    |    |    |    |    |    |     |        |      |       |       |       |       |        |
|-------|----------|----|----|----|----|----|----|----|----|-----|--------|------|-------|-------|-------|-------|--------|
|       | 31       | 30 | 29 | 28 | 27 | 26 | 25 | 24 | 23 | 22  | 21     | 20   | 19    | 18    | 17    | 16    |        |
|       | reserved |    |    |    |    |    |    |    |    |     |        |      |       |       |       |       |        |
| Type  | RO       | RO | RO | RO | RO | RO | RO | RO | RO | RO  | RO     | RO   | RO    | RO    | RO    | RO    |        |
| Reset | 0        | 0  | 0  | 0  | 0  | 0  | 0  | 0  | 0  | 0   | 0      | 0    | 0     | 0     | 0     | 0     |        |
|       | 15       | 14 | 13 | 12 | 11 | 10 | 9  | 8  | 7  | 6   | 5      | 4    | 3     | 2     | 1     | 0     |        |
|       | reserved |    |    |    |    |    |    |    |    |     | PLLLIM | CLIM | IOFIM | MOFIM | LDOIM | BORIM | PLLFIM |
| Type  | RO       | RO | RO | RO | RO | RO | RO | RO | RO | R/W | R/W    | R/W  | R/W   | R/W   | R/W   | R/W   |        |
| Reset | 0        | 0  | 0  | 0  | 0  | 0  | 0  | 0  | 0  | 0   | 0      | 0    | 0     | 0     | 0     | 0     |        |

| Bit/Field | Name     | Type | Reset | Description   |
|-----------|----------|------|-------|---|
| 31:7      | reserved | RO   | 0     | Software should not rely on the value of a reserved bit. To provide compatibility with future products, the value of a reserved bit should be preserved across a read-modify-write operation.   |
| 6         | PLLLIM   | R/W  | 0     | PLL Lock Interrupt Mask<br>This bit specifies whether a PLL Lock interrupt is promoted to a controller interrupt. If set, an interrupt is generated if <code>PLLLRIS</code> in <b>RIS</b> is set; otherwise, an interrupt is not generated.                     |
| 5         | CLIM     | R/W  | 0     | Current Limit Interrupt Mask<br>This bit specifies whether a current limit detection is promoted to a controller interrupt. If set, an interrupt is generated if <code>CLRIS</code> is set; otherwise, an interrupt is not generated.                           |
| 4         | IOFIM    | R/W  | 0     | Internal Oscillator Fault Interrupt Mask<br>This bit specifies whether an internal oscillator fault detection is promoted to a controller interrupt. If set, an interrupt is generated if <code>IOFRIS</code> is set; otherwise, an interrupt is not generated. |
| 3         | MOFIM    | R/W  | 0     | Main Oscillator Fault Interrupt Mask<br>This bit specifies whether a main oscillator fault detection is promoted to a controller interrupt. If set, an interrupt is generated if <code>MOFRIS</code> is set; otherwise, an interrupt is not generated.          |
| 2         | LDOIM    | R/W  | 0     | LDO Power Unregulated Interrupt Mask<br>This bit specifies whether an LDO unregulated power situation is promoted to a controller interrupt. If set, an interrupt is generated if <code>LDORIS</code> is set; otherwise, an interrupt is not generated.         |
| 1         | BORIM    | R/W  | 0     | Brown-Out Reset Interrupt Mask<br>This bit specifies whether a brown-out condition is promoted to a controller interrupt. If set, an interrupt is generated if <code>BORRIS</code> is set; otherwise, an interrupt is not generated.                            |
| 0         | PLLFIM   | R/W  | 0     | PLL Fault Interrupt Mask<br>This bit specifies whether a PLL fault detection is promoted to a controller interrupt. If set, an interrupt is generated if <code>PLLF RIS</code> is set; otherwise, an interrupt is not generated.                                |

## Register 6: Masked Interrupt Status and Clear (MISC), offset 0x058

On a read, this register gives the current masked status value of the corresponding interrupt. All of the bits are R/W1C and this action also clears the corresponding raw interrupt bit in the **RIS** register (see page 167).

### Masked Interrupt Status and Clear (MISC)

Base 0x400F.E000

Offset 0x058

Type R/W1C, reset 0x0000.0000

|       |          |    |    |    |    |    |    |    |    |       |         |       |        |        |        |        |          |
|-------|----------|----|----|----|----|----|----|----|----|-------|---------|-------|--------|--------|--------|--------|----------|
|       | 31       | 30 | 29 | 28 | 27 | 26 | 25 | 24 | 23 | 22    | 21      | 20    | 19     | 18     | 17     | 16     |          |
|       | reserved |    |    |    |    |    |    |    |    |       |         |       |        |        |        |        |          |
| Type  | RO       | RO | RO | RO | RO | RO | RO | RO | RO | RO    | RO      | RO    | RO     | RO     | RO     | RO     |          |
| Reset | 0        | 0  | 0  | 0  | 0  | 0  | 0  | 0  | 0  | 0     | 0       | 0     | 0      | 0      | 0      | 0      |          |
|       | 15       | 14 | 13 | 12 | 11 | 10 | 9  | 8  | 7  | 6     | 5       | 4     | 3      | 2      | 1      | 0      |          |
|       | reserved |    |    |    |    |    |    |    |    |       | PLLLMIS | CLMIS | IOFMIS | MOFMIS | LDOMIS | BORMIS | reserved |
| Type  | RO       | RO | RO | RO | RO | RO | RO | RO | RO | R/W1C | R/W1C   | R/W1C | R/W1C  | R/W1C  | R/W1C  | RO     |          |
| Reset | 0        | 0  | 0  | 0  | 0  | 0  | 0  | 0  | 0  | 0     | 0       | 0     | 0      | 0      | 0      | 0      |          |

| Bit/Field | Name     | Type  | Reset | Description  |
|-----------|----------|-------|-------|--|
| 31:7      | reserved | RO    | 0     | Software should not rely on the value of a reserved bit. To provide compatibility with future products, the value of a reserved bit should be preserved across a read-modify-write operation.  |
| 6         | PLLLMIS  | R/W1C | 0     | PLL Lock Masked Interrupt Status<br>This bit is set when the PLL T <sub>READY</sub> timer asserts. The interrupt is cleared by writing a 1 to this bit.  |
| 5         | CLMIS    | R/W1C | 0     | Current Limit Masked Interrupt Status<br>This bit is set if the LDO's CLE output asserts. The interrupt is cleared by writing a 1 to this bit.   |
| 4         | IOFMIS   | R/W1C | 0     | Internal Oscillator Fault Masked Interrupt Status<br>This bit is set if an internal oscillator fault is detected. The interrupt is cleared by writing a 1 to this bit.   |
| 3         | MOFMIS   | R/W1C | 0     | Main Oscillator Fault Masked Interrupt Status<br>This bit is set if a main oscillator fault is detected. The interrupt is cleared by writing a 1 to this bit.  |
| 2         | LDOMIS   | R/W1C | 0     | LDO Power Unregulated Masked Interrupt Status<br>This bit is set if LDO power is unregulated. The interrupt is cleared by writing a 1 to this bit.   |
| 1         | BORMIS   | R/W1C | 0     | BOR Masked Interrupt Status<br>This bit is the masked interrupt status for any brown-out conditions. If set, a brown-out condition was detected. An interrupt is reported if the BORIM bit in the IMC register is set and the BORIOR bit in the <b>PBORCTL</b> register is cleared. The interrupt is cleared by writing a 1 to this bit. |
| 0         | reserved | RO    | 0     | Software should not rely on the value of a reserved bit. To provide compatibility with future products, the value of a reserved bit should be preserved across a read-modify-write operation.  |

## Register 7: Reset Cause (RESC), offset 0x05C

This field specifies the cause of the reset event to software. The reset value is determined by the cause of the reset. When an external reset is the cause (`EXT` is set), all other reset bits are cleared. However, if the reset is due to any other cause, the remaining bits are sticky, allowing software to see all causes.

### Reset Cause (RESC)

Base 0x400F.E000

Offset 0x05C

Type R/W, reset -

|       |          |    |    |    |    |    |    |    |    |    |     |     |     |     |     |     |     |
|-------|----------|----|----|----|----|----|----|----|----|----|-----|-----|-----|-----|-----|-----|-----|
|       | 31       | 30 | 29 | 28 | 27 | 26 | 25 | 24 | 23 | 22 | 21  | 20  | 19  | 18  | 17  | 16  |     |
|       | reserved |    |    |    |    |    |    |    |    |    |     |     |     |     |     |     |     |
| Type  | RO       | RO | RO | RO | RO | RO | RO | RO | RO | RO | RO  | RO  | RO  | RO  | RO  | RO  |     |
| Reset | 0        | 0  | 0  | 0  | 0  | 0  | 0  | 0  | 0  | 0  | 0   | 0   | 0   | 0   | 0   | 0   |     |
|       | 15       | 14 | 13 | 12 | 11 | 10 | 9  | 8  | 7  | 6  | 5   | 4   | 3   | 2   | 1   | 0   |     |
|       | reserved |    |    |    |    |    |    |    |    |    |     | LDO | SW  | WDT | BOR | POR | EXT |
| Type  | RO       | RO | RO | RO | RO | RO | RO | RO | RO | RO | R/W | R/W | R/W | R/W | R/W | R/W |     |
| Reset | 0        | 0  | 0  | 0  | 0  | 0  | 0  | 0  | 0  | 0  | -   | -   | -   | -   | -   | -   |     |

| Bit/Field | Name     | Type | Reset | Description   |
|-----------|----------|------|-------|---|
| 31:6      | reserved | RO   | 0     | Software should not rely on the value of a reserved bit. To provide compatibility with future products, the value of a reserved bit should be preserved across a read-modify-write operation. |
| 5         | LDO      | R/W  | -     | LDO Reset<br>When set, indicates the LDO circuit has lost regulation and has generated a reset event.   |
| 4         | SW       | R/W  | -     | Software Reset<br>When set, indicates a software reset is the cause of the reset event.   |
| 3         | WDT      | R/W  | -     | Watchdog Timer Reset<br>When set, indicates a watchdog reset is the cause of the reset event.   |
| 2         | BOR      | R/W  | -     | Brown-Out Reset<br>When set, indicates a brown-out reset is the cause of the reset event.   |
| 1         | POR      | R/W  | -     | Power-On Reset<br>When set, indicates a power-on reset is the cause of the reset event.   |
| 0         | EXT      | R/W  | -     | External Reset<br>When set, indicates an external reset ( $\overline{RST}$ assertion) is the cause of the reset event.  |

## Register 8: Run-Mode Clock Configuration (RCC), offset 0x060

This register is defined to provide source control and frequency speed.

### Run-Mode Clock Configuration (RCC)

Base 0x400F.E000

Offset 0x060

Type R/W, reset 0x078E.3AC0

|       |          |    |       |     |        |        |      |     |     |            |          |           |          |          |         |          |
|-------|----------|----|-------|-----|--------|--------|------|-----|-----|------------|----------|-----------|----------|----------|---------|----------|
|       | 31       | 30 | 29    | 28  | 27     | 26     | 25   | 24  | 23  | 22         | 21       | 20        | 19       | 18       | 17      | 16       |
|       | reserved |    |       |     | ACG    | SYSDIV |      |     |     | USESYS DIV | reserved | USEPWMDIV | PWMDIV   |          |         | reserved |
| Type  | RO       | RO | RO    | RO  | R/W    | R/W    | R/W  | R/W | R/W | R/W        | RO       | R/W       | R/W      | R/W      | R/W     | RO       |
| Reset | 0        | 0  | 0     | 0   | 0      | 1      | 1    | 1   | 1   | 0          | 0        | 0         | 1        | 1        | 1       | 0        |
|       | 15       | 14 | 13    | 12  | 11     | 10     | 9    | 8   | 7   | 6          | 5        | 4         | 3        | 2        | 1       | 0        |
|       | reserved |    | PWRDN | OEN | BYPASS | PLLVER | XTAL |     |     |            | OSCSRC   |           | IOSCV ER | MOSCV ER | IOSCDIS | MOSCDIS  |
| Type  | RO       | RO | R/W   | R/W | R/W    | R/W    | R/W  | R/W | R/W | R/W        | R/W      | R/W       | R/W      | R/W      | R/W     | R/W      |
| Reset | 0        | 0  | 1     | 1   | 1      | 0      | 1    | 0   | 1   | 1          | 0        | 0         | 0        | 0        | 0       | 0        |

| Bit/Field | Name       | Type | Reset | Description   |
|-----------|------------|------|-------|---|
| 31:28     | reserved   | RO   | 0x0   | Software should not rely on the value of a reserved bit. To provide compatibility with future products, the value of a reserved bit should be preserved across a read-modify-write operation.   |
| 27        | ACG        | R/W  | 0     | <p>Auto Clock Gating</p> <p>This bit specifies whether the system uses the <b>Sleep-Mode Clock Gating Control (SCGCn)</b> registers and <b>Deep-Sleep-Mode Clock Gating Control (DCGCn)</b> registers if the controller enters a Sleep or Deep-Sleep mode (respectively). If set, the <b>SCGCn</b> or <b>DCGCn</b> registers are used to control the clocks distributed to the peripherals when the controller is in a sleep mode. Otherwise, the <b>Run-Mode Clock Gating Control (RCGCn)</b> registers are used when the controller enters a sleep mode.</p> <p>The <b>RCGCn</b> registers are always used to control the clocks in Run mode.</p> <p>This allows peripherals to consume less power when the controller is in a sleep mode and the peripheral is unused.</p> |
| 26:23     | SYSDIV     | R/W  | 0xF   | <p>System Clock Divisor</p> <p>Specifies which divisor is used to generate the system clock from either the PLL output or the oscillator source (depending on how the <b>BYPASS</b> bit in this register is configured). See Table 5-5 on page 158 for bit encodings.</p> <p>The PLL VCO frequency is 200 MHz.</p> <p>If the <b>SYSDIV</b> value is less than <b>MINSYSDIV</b> (see page 182), and the PLL is being used, then the <b>MINSYSDIV</b> value is used as the divisor.</p> <p>If the PLL is not being used, the <b>SYSDIV</b> value can be less than <b>MINSYSDIV</b>.</p>   |
| 22        | USESYS DIV | R/W  | 0     | <p>Enable System Clock Divider</p> <p>Use the system clock divider as the source for the system clock. The system clock divider is forced to be used when the PLL is selected as the source.</p> <p>If the <b>USERCC2</b> bit in the <b>RCC2</b> register is set, then the <b>SYSDIV2</b> field in the <b>RCC2</b> register is used as the system clock divider rather than the <b>SYSDIV</b> field in this register.</p>   |

| Bit/Field | Name      | Type | Reset | Description   |
|-----------|-----------|------|-------|---|
| 21        | reserved  | RO   | 0     | Software should not rely on the value of a reserved bit. To provide compatibility with future products, the value of a reserved bit should be preserved across a read-modify-write operation.   |
| 20        | USEPWMDIV | R/W  | 0     | Enable PWM Clock Divisor<br>Use the PWM clock divider as the source for the PWM clock.  |
| 19:17     | PWMDIV    | R/W  | 0x7   | PWM Unit Clock Divisor<br>This field specifies the binary divisor used to predivide the system clock down for use as the timing reference for the PWM module. This clock is only power 2 divide and rising edge is synchronous without phase shift from the system clock.<br><br>Value Divisor<br>0x0 /2<br>0x1 /4<br>0x2 /8<br>0x3 /16<br>0x4 /32<br>0x5 /64<br>0x6 /64<br>0x7 /64 (default) |
| 16:14     | reserved  | RO   | 0     | Software should not rely on the value of a reserved bit. To provide compatibility with future products, the value of a reserved bit should be preserved across a read-modify-write operation.   |
| 13        | PWRDN     | R/W  | 1     | PLL Power Down<br>This bit connects to the PLL PWRDN input. The reset value of 1 powers down the PLL. See Table 5-7 on page 174 for PLL mode control.   |
| 12        | OEN       | R/W  | 1     | PLL Output Enable<br>This bit specifies whether the PLL output driver is enabled. If cleared, the driver transmits the PLL clock to the output. Otherwise, the PLL clock does not oscillate outside the PLL module.<br><br><b>Note:</b> Both PWRDN and OEN must be cleared to run the PLL.  |
| 11        | BYPASS    | R/W  | 1     | PLL Bypass<br>Chooses whether the system clock is derived from the PLL output or the OSC source. If set, the clock that drives the system is the OSC source. Otherwise, the clock that drives the system is the PLL output clock divided by the system divider.<br>See Table 5-5 on page 158 for programming guidelines.  |
| 10        | PLLVER    | R/W  | 0     | PLL Verification<br>This bit controls the PLL verification timer function. If set, the verification timer is enabled and an interrupt is generated if the PLL becomes inoperative. Otherwise, the verification timer is not enabled.  |

| Bit/Field | Name  | Type                                  | Reset | Description   |       |   |                                       |                                   |       |                             |     |   |          |          |       |          |     |        |          |     |  |              |     |  |            |     |  |       |     |  |           |     |  |            |     |  |       |     |  |          |     |  |                     |     |  |           |     |  |            |     |  |       |     |  |           |
|-----------|---|---------------------------------------|-------|---|-------|---|---------------------------------------|-----------------------------------|-------|-----------------------------|-----|---|----------|----------|-------|----------|-----|--------|----------|-----|--|--------------|-----|--|------------|-----|--|-------|-----|--|-----------|-----|--|------------|-----|--|-------|-----|--|----------|-----|--|---------------------|-----|--|-----------|-----|--|------------|-----|--|-------|-----|--|-----------|
| 9:6       | XTAL  | R/W                                   | 0xB   | <p>Crystal Value</p> <p>This field specifies the crystal value attached to the main oscillator. The encoding for this field is provided below.</p> <table border="1"> <thead> <tr> <th>Value</th> <th>Crystal Frequency (MHz) Not Using the PLL</th> <th>Crystal Frequency (MHz) Using the PLL</th> </tr> </thead> <tbody> <tr><td>0x0</td><td>1.000</td><td>reserved</td></tr> <tr><td>0x1</td><td>1.8432</td><td>reserved</td></tr> <tr><td>0x2</td><td>2.000</td><td>reserved</td></tr> <tr><td>0x3</td><td>2.4576</td><td>reserved</td></tr> <tr><td>0x4</td><td></td><td>3.579545 MHz</td></tr> <tr><td>0x5</td><td></td><td>3.6864 MHz</td></tr> <tr><td>0x6</td><td></td><td>4 MHz</td></tr> <tr><td>0x7</td><td></td><td>4.096 MHz</td></tr> <tr><td>0x8</td><td></td><td>4.9152 MHz</td></tr> <tr><td>0x9</td><td></td><td>5 MHz</td></tr> <tr><td>0xA</td><td></td><td>5.12 MHz</td></tr> <tr><td>0xB</td><td></td><td>6 MHz (reset value)</td></tr> <tr><td>0xC</td><td></td><td>6.144 MHz</td></tr> <tr><td>0xD</td><td></td><td>7.3728 MHz</td></tr> <tr><td>0xE</td><td></td><td>8 MHz</td></tr> <tr><td>0xF</td><td></td><td>8.192 MHz</td></tr> </tbody> </table> | Value | Crystal Frequency (MHz) Not Using the PLL | Crystal Frequency (MHz) Using the PLL | 0x0                               | 1.000 | reserved                    | 0x1 | 1.8432  | reserved | 0x2      | 2.000 | reserved | 0x3 | 2.4576 | reserved | 0x4 |  | 3.579545 MHz | 0x5 |  | 3.6864 MHz | 0x6 |  | 4 MHz | 0x7 |  | 4.096 MHz | 0x8 |  | 4.9152 MHz | 0x9 |  | 5 MHz | 0xA |  | 5.12 MHz | 0xB |  | 6 MHz (reset value) | 0xC |  | 6.144 MHz | 0xD |  | 7.3728 MHz | 0xE |  | 8 MHz | 0xF |  | 8.192 MHz |
| Value     | Crystal Frequency (MHz) Not Using the PLL                                     | Crystal Frequency (MHz) Using the PLL |       |   |       |   |                                       |                                   |       |                             |     |   |          |          |       |          |     |        |          |     |  |              |     |  |            |     |  |       |     |  |           |     |  |            |     |  |       |     |  |          |     |  |                     |     |  |           |     |  |            |     |  |       |     |  |           |
| 0x0       | 1.000   | reserved                              |       |   |       |   |                                       |                                   |       |                             |     |   |          |          |       |          |     |        |          |     |  |              |     |  |            |     |  |       |     |  |           |     |  |            |     |  |       |     |  |          |     |  |                     |     |  |           |     |  |            |     |  |       |     |  |           |
| 0x1       | 1.8432  | reserved                              |       |   |       |   |                                       |                                   |       |                             |     |   |          |          |       |          |     |        |          |     |  |              |     |  |            |     |  |       |     |  |           |     |  |            |     |  |       |     |  |          |     |  |                     |     |  |           |     |  |            |     |  |       |     |  |           |
| 0x2       | 2.000   | reserved                              |       |   |       |   |                                       |                                   |       |                             |     |   |          |          |       |          |     |        |          |     |  |              |     |  |            |     |  |       |     |  |           |     |  |            |     |  |       |     |  |          |     |  |                     |     |  |           |     |  |            |     |  |       |     |  |           |
| 0x3       | 2.4576  | reserved                              |       |   |       |   |                                       |                                   |       |                             |     |   |          |          |       |          |     |        |          |     |  |              |     |  |            |     |  |       |     |  |           |     |  |            |     |  |       |     |  |          |     |  |                     |     |  |           |     |  |            |     |  |       |     |  |           |
| 0x4       |   | 3.579545 MHz                          |       |   |       |   |                                       |                                   |       |                             |     |   |          |          |       |          |     |        |          |     |  |              |     |  |            |     |  |       |     |  |           |     |  |            |     |  |       |     |  |          |     |  |                     |     |  |           |     |  |            |     |  |       |     |  |           |
| 0x5       |   | 3.6864 MHz                            |       |   |       |   |                                       |                                   |       |                             |     |   |          |          |       |          |     |        |          |     |  |              |     |  |            |     |  |       |     |  |           |     |  |            |     |  |       |     |  |          |     |  |                     |     |  |           |     |  |            |     |  |       |     |  |           |
| 0x6       |   | 4 MHz                                 |       |   |       |   |                                       |                                   |       |                             |     |   |          |          |       |          |     |        |          |     |  |              |     |  |            |     |  |       |     |  |           |     |  |            |     |  |       |     |  |          |     |  |                     |     |  |           |     |  |            |     |  |       |     |  |           |
| 0x7       |   | 4.096 MHz                             |       |   |       |   |                                       |                                   |       |                             |     |   |          |          |       |          |     |        |          |     |  |              |     |  |            |     |  |       |     |  |           |     |  |            |     |  |       |     |  |          |     |  |                     |     |  |           |     |  |            |     |  |       |     |  |           |
| 0x8       |   | 4.9152 MHz                            |       |   |       |   |                                       |                                   |       |                             |     |   |          |          |       |          |     |        |          |     |  |              |     |  |            |     |  |       |     |  |           |     |  |            |     |  |       |     |  |          |     |  |                     |     |  |           |     |  |            |     |  |       |     |  |           |
| 0x9       |   | 5 MHz                                 |       |   |       |   |                                       |                                   |       |                             |     |   |          |          |       |          |     |        |          |     |  |              |     |  |            |     |  |       |     |  |           |     |  |            |     |  |       |     |  |          |     |  |                     |     |  |           |     |  |            |     |  |       |     |  |           |
| 0xA       |   | 5.12 MHz                              |       |   |       |   |                                       |                                   |       |                             |     |   |          |          |       |          |     |        |          |     |  |              |     |  |            |     |  |       |     |  |           |     |  |            |     |  |       |     |  |          |     |  |                     |     |  |           |     |  |            |     |  |       |     |  |           |
| 0xB       |   | 6 MHz (reset value)                   |       |   |       |   |                                       |                                   |       |                             |     |   |          |          |       |          |     |        |          |     |  |              |     |  |            |     |  |       |     |  |           |     |  |            |     |  |       |     |  |          |     |  |                     |     |  |           |     |  |            |     |  |       |     |  |           |
| 0xC       |   | 6.144 MHz                             |       |   |       |   |                                       |                                   |       |                             |     |   |          |          |       |          |     |        |          |     |  |              |     |  |            |     |  |       |     |  |           |     |  |            |     |  |       |     |  |          |     |  |                     |     |  |           |     |  |            |     |  |       |     |  |           |
| 0xD       |   | 7.3728 MHz                            |       |   |       |   |                                       |                                   |       |                             |     |   |          |          |       |          |     |        |          |     |  |              |     |  |            |     |  |       |     |  |           |     |  |            |     |  |       |     |  |          |     |  |                     |     |  |           |     |  |            |     |  |       |     |  |           |
| 0xE       |   | 8 MHz                                 |       |   |       |   |                                       |                                   |       |                             |     |   |          |          |       |          |     |        |          |     |  |              |     |  |            |     |  |       |     |  |           |     |  |            |     |  |       |     |  |          |     |  |                     |     |  |           |     |  |            |     |  |       |     |  |           |
| 0xF       |   | 8.192 MHz                             |       |   |       |   |                                       |                                   |       |                             |     |   |          |          |       |          |     |        |          |     |  |              |     |  |            |     |  |       |     |  |           |     |  |            |     |  |       |     |  |          |     |  |                     |     |  |           |     |  |            |     |  |       |     |  |           |
| 5:4       | OSCSRC  | R/W                                   | 0x0   | <p>Oscillator Source</p> <p>Selects the input source for the OSC. The values are:</p> <table border="1"> <thead> <tr> <th>Value</th> <th>Input Source</th> </tr> </thead> <tbody> <tr> <td>0x0</td> <td>MOSC<br/>Main oscillator (default)</td> </tr> <tr> <td>0x1</td> <td>IOSC<br/>Internal oscillator</td> </tr> <tr> <td>0x2</td> <td>IOSC/4<br/>Internal oscillator / 4 (this is necessary if used as input to PLL)</td> </tr> <tr> <td>0x3</td> <td>reserved</td> </tr> </tbody> </table>   | Value | Input Source                              | 0x0                                   | MOSC<br>Main oscillator (default) | 0x1   | IOSC<br>Internal oscillator | 0x2 | IOSC/4<br>Internal oscillator / 4 (this is necessary if used as input to PLL) | 0x3      | reserved |       |          |     |        |          |     |  |              |     |  |            |     |  |       |     |  |           |     |  |            |     |  |       |     |  |          |     |  |                     |     |  |           |     |  |            |     |  |       |     |  |           |
| Value     | Input Source  |                                       |       |   |       |   |                                       |                                   |       |                             |     |   |          |          |       |          |     |        |          |     |  |              |     |  |            |     |  |       |     |  |           |     |  |            |     |  |       |     |  |          |     |  |                     |     |  |           |     |  |            |     |  |       |     |  |           |
| 0x0       | MOSC<br>Main oscillator (default)   |                                       |       |   |       |   |                                       |                                   |       |                             |     |   |          |          |       |          |     |        |          |     |  |              |     |  |            |     |  |       |     |  |           |     |  |            |     |  |       |     |  |          |     |  |                     |     |  |           |     |  |            |     |  |       |     |  |           |
| 0x1       | IOSC<br>Internal oscillator   |                                       |       |   |       |   |                                       |                                   |       |                             |     |   |          |          |       |          |     |        |          |     |  |              |     |  |            |     |  |       |     |  |           |     |  |            |     |  |       |     |  |          |     |  |                     |     |  |           |     |  |            |     |  |       |     |  |           |
| 0x2       | IOSC/4<br>Internal oscillator / 4 (this is necessary if used as input to PLL) |                                       |       |   |       |   |                                       |                                   |       |                             |     |   |          |          |       |          |     |        |          |     |  |              |     |  |            |     |  |       |     |  |           |     |  |            |     |  |       |     |  |          |     |  |                     |     |  |           |     |  |            |     |  |       |     |  |           |
| 0x3       | reserved  |                                       |       |   |       |   |                                       |                                   |       |                             |     |   |          |          |       |          |     |        |          |     |  |              |     |  |            |     |  |       |     |  |           |     |  |            |     |  |       |     |  |          |     |  |                     |     |  |           |     |  |            |     |  |       |     |  |           |
| 3         | IOSCVR  | R/W                                   | 0     | <p>Internal Oscillator Verification Timer</p> <p>This bit controls the internal oscillator verification timer function. If set, the verification timer is enabled and an interrupt is generated if the timer becomes inoperative. Otherwise, the verification timer is not enabled.</p>   |       |   |                                       |                                   |       |                             |     |   |          |          |       |          |     |        |          |     |  |              |     |  |            |     |  |       |     |  |           |     |  |            |     |  |       |     |  |          |     |  |                     |     |  |           |     |  |            |     |  |       |     |  |           |
| 2         | MOSCVR  | R/W                                   | 0     | <p>Main Oscillator Verification Timer</p> <p>This bit controls the main oscillator verification timer function. If set, the verification timer is enabled and an interrupt is generated if the timer becomes inoperative. Otherwise, the verification timer is not enabled.</p>   |       |   |                                       |                                   |       |                             |     |   |          |          |       |          |     |        |          |     |  |              |     |  |            |     |  |       |     |  |           |     |  |            |     |  |       |     |  |          |     |  |                     |     |  |           |     |  |            |     |  |       |     |  |           |

| Bit/Field | Name    | Type | Reset | Description   |
|-----------|---------|------|-------|---|
| 1         | IOSCDIS | R/W  | 0     | Internal Oscillator Disable<br>0: Internal oscillator (IOSC) is enabled.<br>1: Internal oscillator is disabled. |
| 0         | MOSCDIS | R/W  | 0     | Main Oscillator Disable<br>0: Main oscillator is enabled (default).<br>1: Main oscillator is disabled .         |

**Table 5-7. PLL Mode Control**

| PWRDN | OEN | Mode       |
|-------|-----|------------|
| 1     | X   | Power down |
| 0     | 0   | Normal     |

## Register 9: XTAL to PLL Translation (PLLCFG), offset 0x064

This register provides a means of translating external crystal frequencies into the appropriate PLL settings. This register is initialized during the reset sequence and updated anytime that the XTAL field changes in the **Run-Mode Clock Configuration (RCC)** register (see page 171).

The PLL frequency is calculated using the **PLLCFG** field values, as follows:

$$\text{PLLFreq} = \text{OSCFreq} * (\text{F} + 2) / (\text{R} + 2)$$

### XTAL to PLL Translation (PLLCFG)

Base 0x400F.E000

Offset 0x064

Type RO, reset -

|       |          |    |    |    |    |    |    |    |    |    |    |    |    |    |    |    |
|-------|----------|----|----|----|----|----|----|----|----|----|----|----|----|----|----|----|
|       | 31       | 30 | 29 | 28 | 27 | 26 | 25 | 24 | 23 | 22 | 21 | 20 | 19 | 18 | 17 | 16 |
|       | reserved |    |    |    |    |    |    |    |    |    |    |    |    |    |    |    |
| Type  | RO       | RO | RO | RO | RO | RO | RO | RO | RO | RO | RO | RO | RO | RO | RO | RO |
| Reset | 0        | 0  | 0  | 0  | 0  | 0  | 0  | 0  | 0  | 0  | 0  | 0  | 0  | 0  | 0  | 0  |
|       | 15       | 14 | 13 | 12 | 11 | 10 | 9  | 8  | 7  | 6  | 5  | 4  | 3  | 2  | 1  | 0  |
|       | OD       |    |    |    |    |    |    | F  |    |    |    | R  |    |    |    |    |
| Type  | RO       | RO | RO | RO | RO | RO | RO | RO | RO | RO | RO | RO | RO | RO | RO | RO |
| Reset | -        | -  | -  | -  | -  | -  | -  | -  | -  | -  | -  | -  | -  | -  | -  | -  |

| Bit/Field | Name     | Type | Reset | Description   |
|-----------|----------|------|-------|---|
| 31:16     | reserved | RO   | 0x0   | Software should not rely on the value of a reserved bit. To provide compatibility with future products, the value of a reserved bit should be preserved across a read-modify-write operation. |
| 15:14     | OD       | RO   | -     | PLL OD Value<br>This field specifies the value supplied to the PLL's OD input.  |
|           |          |      |       | Value Description   |
|           |          |      |       | 0x0 Divide by 1   |
|           |          |      |       | 0x1 Divide by 2   |
|           |          |      |       | 0x2 Divide by 4   |
|           |          |      |       | 0x3 Reserved  |
| 13:5      | F        | RO   | -     | PLL F Value<br>This field specifies the value supplied to the PLL's F input.  |
| 4:0       | R        | RO   | -     | PLL R Value<br>This field specifies the value supplied to the PLL's R input.  |

### Register 10: Deep Sleep Clock Configuration (DSLPCCLKCFG), offset 0x144

This register is used to automatically switch from the main oscillator to the internal oscillator when entering Deep-Sleep mode. The system clock source is the main oscillator by default. When this register is set, the internal oscillator is powered up and the main oscillator is powered down. When the Deep-Sleep exit event occurs, hardware brings the system clock back to the source and frequency it had at the onset of Deep-Sleep mode.

#### Deep Sleep Clock Configuration (DSLPCCLKCFG)

Base 0x400F.E000  
 Offset 0x144  
 Type R/W, reset 0x0780.0000

|       |          |    |    |    |    |    |    |    |    |    |    |    |    |    |    |      |
|-------|----------|----|----|----|----|----|----|----|----|----|----|----|----|----|----|------|
|       | 31       | 30 | 29 | 28 | 27 | 26 | 25 | 24 | 23 | 22 | 21 | 20 | 19 | 18 | 17 | 16   |
|       | reserved |    |    |    |    |    |    |    |    |    |    |    |    |    |    |      |
| Type  | RO       | RO | RO | RO | RO | RO | RO | RO | RO | RO | RO | RO | RO | RO | RO | RO   |
| Reset | 0        | 0  | 0  | 0  | 0  | 0  | 0  | 0  | 0  | 0  | 0  | 0  | 0  | 0  | 0  | 0    |
|       | 15       | 14 | 13 | 12 | 11 | 10 | 9  | 8  | 7  | 6  | 5  | 4  | 3  | 2  | 1  | 0    |
|       | reserved |    |    |    |    |    |    |    |    |    |    |    |    |    |    | IOSC |
| Type  | RO       | RO | RO | RO | RO | RO | RO | RO | RO | RO | RO | RO | RO | RO | RO | R/W  |
| Reset | 0        | 0  | 0  | 0  | 0  | 0  | 0  | 0  | 0  | 0  | 0  | 0  | 0  | 0  | 0  | 0    |

| Bit/Field | Name     | Type | Reset | Description   |
|-----------|----------|------|-------|---|
| 31:1      | reserved | RO   | 0x0   | Software should not rely on the value of a reserved bit. To provide compatibility with future products, the value of a reserved bit should be preserved across a read-modify-write operation. |
| 0         | IOSC     | R/W  | 0     | IOSC Clock Source<br>When set, forces IOSC to be clock source during Deep-Sleep (overrides DSOSCSRC field if set)   |

**Register 11: Clock Verification Clear (CLKVCLR), offset 0x150**

This register is provided as a means of clearing the clock verification circuits by software. Since the clock verification circuits force a known good clock to control the process, the controller is allowed the opportunity to solve the problem and clear the verification fault. This register clears all clock verification faults. To clear a clock verification fault, the VERCLR bit must be set and then cleared by software. This bit is not self-clearing.

**Clock Verification Clear (CLKVCLR)**

Base 0x400F.E000

Offset 0x150

Type R/W, reset 0x0000.0000

|       |          |    |    |    |    |    |    |    |    |    |    |    |    |    |    |        |
|-------|----------|----|----|----|----|----|----|----|----|----|----|----|----|----|----|--------|
|       | 31       | 30 | 29 | 28 | 27 | 26 | 25 | 24 | 23 | 22 | 21 | 20 | 19 | 18 | 17 | 16     |
|       | reserved |    |    |    |    |    |    |    |    |    |    |    |    |    |    |        |
| Type  | RO       | RO | RO | RO | RO | RO | RO | RO | RO | RO | RO | RO | RO | RO | RO | RO     |
| Reset | 0        | 0  | 0  | 0  | 0  | 0  | 0  | 0  | 0  | 0  | 0  | 0  | 0  | 0  | 0  | 0      |
|       | 15       | 14 | 13 | 12 | 11 | 10 | 9  | 8  | 7  | 6  | 5  | 4  | 3  | 2  | 1  | 0      |
|       | reserved |    |    |    |    |    |    |    |    |    |    |    |    |    |    | VERCLR |
| Type  | RO       | RO | RO | RO | RO | RO | RO | RO | RO | RO | RO | RO | RO | RO | RO | R/W    |
| Reset | 0        | 0  | 0  | 0  | 0  | 0  | 0  | 0  | 0  | 0  | 0  | 0  | 0  | 0  | 0  | 0      |

| Bit/Field | Name     | Type | Reset | Description   |
|-----------|----------|------|-------|---|
| 31:1      | reserved | RO   | 0     | Software should not rely on the value of a reserved bit. To provide compatibility with future products, the value of a reserved bit should be preserved across a read-modify-write operation. |
| 0         | VERCLR   | R/W  | 0     | Clock Verification Clear<br>Clears clock verification faults.   |

## Register 12: Allow Unregulated LDO to Reset the Part (LDOARST), offset 0x160

This register is provided as a means of allowing the LDO to reset the part if the voltage goes unregulated. Use this register to choose whether to automatically reset the part if the LDO goes unregulated, based on the design tolerance for LDO fluctuation.

### Allow Unregulated LDO to Reset the Part (LDOARST)

Base 0x400F.E000  
 Offset 0x160  
 Type R/W, reset 0x0000.0000

|       |          |    |    |    |    |    |    |    |    |    |    |    |    |    |    |         |
|-------|----------|----|----|----|----|----|----|----|----|----|----|----|----|----|----|---------|
|       | 31       | 30 | 29 | 28 | 27 | 26 | 25 | 24 | 23 | 22 | 21 | 20 | 19 | 18 | 17 | 16      |
|       | reserved |    |    |    |    |    |    |    |    |    |    |    |    |    |    |         |
| Type  | RO       | RO | RO | RO | RO | RO | RO | RO | RO | RO | RO | RO | RO | RO | RO | RO      |
| Reset | 0        | 0  | 0  | 0  | 0  | 0  | 0  | 0  | 0  | 0  | 0  | 0  | 0  | 0  | 0  | 0       |
|       | 15       | 14 | 13 | 12 | 11 | 10 | 9  | 8  | 7  | 6  | 5  | 4  | 3  | 2  | 1  | 0       |
|       | reserved |    |    |    |    |    |    |    |    |    |    |    |    |    |    | LDOARST |
| Type  | RO       | RO | RO | RO | RO | RO | RO | RO | RO | RO | RO | RO | RO | RO | RO | R/W     |
| Reset | 0        | 0  | 0  | 0  | 0  | 0  | 0  | 0  | 0  | 0  | 0  | 0  | 0  | 0  | 0  | 0       |

| Bit/Field | Name     | Type | Reset | Description   |
|-----------|----------|------|-------|---|
| 31:1      | reserved | RO   | 0     | Software should not rely on the value of a reserved bit. To provide compatibility with future products, the value of a reserved bit should be preserved across a read-modify-write operation. |
| 0         | LDOARST  | R/W  | 0     | LDO Reset<br>When set, allows unregulated LDO output to reset the part.   |

## Register 13: Device Identification 1 (DID1), offset 0x004

This register identifies the device family, part number, temperature range, pin count, and package type. Each microcontroller is uniquely identified by the combined values of the `CLASS` field in the `DID0` register and the `PARTNO` field in the `DID1` register.

### Device Identification 1 (DID1)

Base 0x400F.E000

Offset 0x004

Type RO, reset -

|       |          |    |    |    |     |    |    |    |        |    |    |     |    |      |      |    |
|-------|----------|----|----|----|-----|----|----|----|--------|----|----|-----|----|------|------|----|
|       | 31       | 30 | 29 | 28 | 27  | 26 | 25 | 24 | 23     | 22 | 21 | 20  | 19 | 18   | 17   | 16 |
|       | VER      |    |    |    | FAM |    |    |    | PARTNO |    |    |     |    |      |      |    |
| Type  | RO       | RO | RO | RO | RO  | RO | RO | RO | RO     | RO | RO | RO  | RO | RO   | RO   | RO |
| Reset | 0        | 0  | 0  | 0  | 0   | 0  | 0  | 0  | 0      | 0  | 0  | 1   | 0  | 0    | 1    | 0  |
|       | 15       | 14 | 13 | 12 | 11  | 10 | 9  | 8  | 7      | 6  | 5  | 4   | 3  | 2    | 1    | 0  |
|       | reserved |    |    |    |     |    |    |    | TEMP   |    |    | PKG |    | ROHS | QUAL |    |
| Type  | RO       | RO | RO | RO | RO  | RO | RO | RO | RO     | RO | RO | RO  | RO | RO   | RO   | RO |
| Reset | 0        | 0  | 0  | 0  | 0   | 0  | 0  | 0  | -      | -  | -  | -   | -  | 1    | -    | -  |

| Bit/Field | Name  | Type | Reset | Description  |       |             |      |   |
|-----------|---|------|-------|--|-------|-------------|------|---|
| 31:28     | VER   | RO   | 0x0   | <p>DID1 Version</p> <p>This field defines the <b>DID1</b> register format version. The version number is numeric. The value of the <code>VER</code> field is encoded as follows (all other encodings are reserved):</p> <table border="1"> <thead> <tr> <th>Value</th> <th>Description</th> </tr> </thead> <tbody> <tr> <td>0x0</td> <td>Initial <b>DID1</b> register format definition, indicating a Stellaris LM3Snnn device.</td> </tr> </tbody> </table> | Value | Description | 0x0  | Initial <b>DID1</b> register format definition, indicating a Stellaris LM3Snnn device.                    |
| Value     | Description   |      |       |  |       |             |      |   |
| 0x0       | Initial <b>DID1</b> register format definition, indicating a Stellaris LM3Snnn device.                    |      |       |  |       |             |      |   |
| 27:24     | FAM   | RO   | 0x0   | <p>Family</p> <p>This field provides the family identification of the device within the Luminary Micro product portfolio. The value is encoded as follows (all other encodings are reserved):</p> <table border="1"> <thead> <tr> <th>Value</th> <th>Description</th> </tr> </thead> <tbody> <tr> <td>0x0</td> <td>Stellaris family of microcontrollers, that is, all devices with external part numbers starting with LM3S.</td> </tr> </tbody> </table>    | Value | Description | 0x0  | Stellaris family of microcontrollers, that is, all devices with external part numbers starting with LM3S. |
| Value     | Description   |      |       |  |       |             |      |   |
| 0x0       | Stellaris family of microcontrollers, that is, all devices with external part numbers starting with LM3S. |      |       |  |       |             |      |   |
| 23:16     | PARTNO  | RO   | 0x12  | <p>Part Number</p> <p>This field provides the part number of the device within the family. The value is encoded as follows (all other encodings are reserved):</p> <table border="1"> <thead> <tr> <th>Value</th> <th>Description</th> </tr> </thead> <tbody> <tr> <td>0x12</td> <td>LM3S310</td> </tr> </tbody> </table>  | Value | Description | 0x12 | LM3S310   |
| Value     | Description   |      |       |  |       |             |      |   |
| 0x12      | LM3S310   |      |       |  |       |             |      |   |
| 15:8      | reserved  | RO   | 0     | Software should not rely on the value of a reserved bit. To provide compatibility with future products, the value of a reserved bit should be preserved across a read-modify-write operation.  |       |             |      |   |

| Bit/Field | Name   | Type | Reset | Description  |       |             |     |  |     |  |     |   |
|-----------|--|------|-------|--|-------|-------------|-----|--|-----|--|-----|---|
| 7:5       | TEMP   | RO   | -     | <p>Temperature Range</p> <p>This field specifies the temperature rating of the device. The value is encoded as follows (all other encodings are reserved):</p> <table><thead><tr><th>Value</th><th>Description</th></tr></thead><tbody><tr><td>0x0</td><td>Commercial temperature range (0°C to 70°C)</td></tr><tr><td>0x1</td><td>Industrial temperature range (-40°C to 85°C)</td></tr><tr><td>0x2</td><td>Extended temperature range (-40°C to 105°C)</td></tr></tbody></table> | Value | Description | 0x0 | Commercial temperature range (0°C to 70°C) | 0x1 | Industrial temperature range (-40°C to 85°C) | 0x2 | Extended temperature range (-40°C to 105°C) |
| Value     | Description                                  |      |       |  |       |             |     |  |     |  |     |   |
| 0x0       | Commercial temperature range (0°C to 70°C)   |      |       |  |       |             |     |  |     |  |     |   |
| 0x1       | Industrial temperature range (-40°C to 85°C) |      |       |  |       |             |     |  |     |  |     |   |
| 0x2       | Extended temperature range (-40°C to 105°C)  |      |       |  |       |             |     |  |     |  |     |   |
| 4:3       | PKG  | RO   | -     | <p>Package Type</p> <p>This field specifies the package type. The value is encoded as follows (all other encodings are reserved):</p> <table><thead><tr><th>Value</th><th>Description</th></tr></thead><tbody><tr><td>0x0</td><td>28-pin SOIC package</td></tr><tr><td>0x1</td><td>48-pin LQFP package</td></tr><tr><td>0x3</td><td>48-pin QFN package</td></tr></tbody></table>   | Value | Description | 0x0 | 28-pin SOIC package                        | 0x1 | 48-pin LQFP package                          | 0x3 | 48-pin QFN package                          |
| Value     | Description                                  |      |       |  |       |             |     |  |     |  |     |   |
| 0x0       | 28-pin SOIC package                          |      |       |  |       |             |     |  |     |  |     |   |
| 0x1       | 48-pin LQFP package                          |      |       |  |       |             |     |  |     |  |     |   |
| 0x3       | 48-pin QFN package                           |      |       |  |       |             |     |  |     |  |     |   |
| 2         | ROHS   | RO   | 1     | <p>RoHS-Compliance</p> <p>This bit specifies whether the device is RoHS-compliant. A 1 indicates the part is RoHS-compliant.</p>   |       |             |     |  |     |  |     |   |
| 1:0       | QUAL   | RO   | -     | <p>Qualification Status</p> <p>This field specifies the qualification status of the device. The value is encoded as follows (all other encodings are reserved):</p> <table><thead><tr><th>Value</th><th>Description</th></tr></thead><tbody><tr><td>0x0</td><td>Engineering Sample (unqualified)</td></tr><tr><td>0x1</td><td>Pilot Production (unqualified)</td></tr><tr><td>0x2</td><td>Fully Qualified</td></tr></tbody></table>  | Value | Description | 0x0 | Engineering Sample (unqualified)           | 0x1 | Pilot Production (unqualified)               | 0x2 | Fully Qualified                             |
| Value     | Description                                  |      |       |  |       |             |     |  |     |  |     |   |
| 0x0       | Engineering Sample (unqualified)             |      |       |  |       |             |     |  |     |  |     |   |
| 0x1       | Pilot Production (unqualified)               |      |       |  |       |             |     |  |     |  |     |   |
| 0x2       | Fully Qualified                              |      |       |  |       |             |     |  |     |  |     |   |

**Register 14: Device Capabilities 0 (DC0), offset 0x008**

This register is predefined by the part and can be used to verify features.

**Device Capabilities 0 (DC0)**

Base 0x400F.E000

Offset 0x008

Type RO, reset 0x000F.0007

|       | 31      | 30 | 29 | 28 | 27 | 26 | 25 | 24 | 23 | 22 | 21 | 20 | 19 | 18 | 17 | 16 |
|-------|---------|----|----|----|----|----|----|----|----|----|----|----|----|----|----|----|
|       | SRAMSZ  |    |    |    |    |    |    |    |    |    |    |    |    |    |    |    |
| Type  | RO      | RO | RO | RO | RO | RO | RO | RO | RO | RO | RO | RO | RO | RO | RO | RO |
| Reset | 0       | 0  | 0  | 0  | 0  | 0  | 0  | 0  | 0  | 0  | 0  | 0  | 0  | 1  | 1  | 1  |
|       | 15      | 14 | 13 | 12 | 11 | 10 | 9  | 8  | 7  | 6  | 5  | 4  | 3  | 2  | 1  | 0  |
|       | FLASHSZ |    |    |    |    |    |    |    |    |    |    |    |    |    |    |    |
| Type  | RO      | RO | RO | RO | RO | RO | RO | RO | RO | RO | RO | RO | RO | RO | RO | RO |
| Reset | 0       | 0  | 0  | 0  | 0  | 0  | 0  | 0  | 0  | 0  | 0  | 0  | 0  | 0  | 1  | 1  |

| Bit/Field | Name    | Type | Reset  | Description   |
|-----------|---------|------|--------|---|
| 31:16     | SRAMSZ  | RO   | 0x000F | SRAM Size<br>Indicates the size of the on-chip SRAM memory.<br><br>Value Description<br>0x000F 4 KB of SRAM     |
| 15:0      | FLASHSZ | RO   | 0x0007 | Flash Size<br>Indicates the size of the on-chip flash memory.<br><br>Value Description<br>0x0007 16 KB of Flash |

## Register 15: Device Capabilities 1 (DC1), offset 0x010

This register provides a list of features available in the system. The Stellaris family uses this register format to indicate the availability of the following family features in the specific device: PWM, ADC, Watchdog timer, and debug capabilities. This register also indicates the maximum clock frequency and maximum ADC sample rate. The format of this register is consistent with the **RCGC0**, **SCGC0**, and **DCGC0** clock control registers and the **SRCR0** software reset control register.

### Device Capabilities 1 (DC1)

Base 0x400F.E000

Offset 0x010

Type RO, reset 0x0010.709F

|       |           |    |    |          |    |    |    |    |     |          |    |     |          |     |     |      |
|-------|-----------|----|----|----------|----|----|----|----|-----|----------|----|-----|----------|-----|-----|------|
|       | 31        | 30 | 29 | 28       | 27 | 26 | 25 | 24 | 23  | 22       | 21 | 20  | 19       | 18  | 17  | 16   |
|       | reserved  |    |    |          |    |    |    |    |     |          |    | PWM | reserved |     |     |      |
| Type  | RO        | RO | RO | RO       | RO | RO | RO | RO | RO  | RO       | RO | RO  | RO       | RO  | RO  | RO   |
| Reset | 0         | 0  | 0  | 0        | 0  | 0  | 0  | 0  | 0   | 0        | 0  | 1   | 0        | 0   | 0   | 0    |
|       | 15        | 14 | 13 | 12       | 11 | 10 | 9  | 8  | 7   | 6        | 5  | 4   | 3        | 2   | 1   | 0    |
|       | MINSYSDIV |    |    | reserved |    |    |    |    | MPU | reserved |    | PLL | WDT      | SWO | SWD | JTAG |
| Type  | RO        | RO | RO | RO       | RO | RO | RO | RO | RO  | RO       | RO | RO  | RO       | RO  | RO  | RO   |
| Reset | 0         | 1  | 1  | 1        | 0  | 0  | 0  | 0  | 0   | 1        | 0  | 0   | 1        | 1   | 1   | 1    |

| Bit/Field | Name      | Type | Reset | Description  |
|-----------|-----------|------|-------|--|
| 31:21     | reserved  | RO   | 0     | Software should not rely on the value of a reserved bit. To provide compatibility with future products, the value of a reserved bit should be preserved across a read-modify-write operation.  |
| 20        | PWM       | RO   | 1     | PWM Module Present<br>When set, indicates that the PWM module is present.  |
| 19:16     | reserved  | RO   | 0     | Software should not rely on the value of a reserved bit. To provide compatibility with future products, the value of a reserved bit should be preserved across a read-modify-write operation.  |
| 15:12     | MINSYSDIV | RO   | 0x7   | System Clock Divider<br>Minimum 4-bit divider value for system clock. The reset value is hardware-dependent. See the <b>RCC</b> register for how to change the system clock divisor using the <b>SYSDIV</b> bit.<br><br>Value Description<br>0x7 Specifies a 25-MHz clock with a PLL divider of 8. |
| 11:8      | reserved  | RO   | 0     | Software should not rely on the value of a reserved bit. To provide compatibility with future products, the value of a reserved bit should be preserved across a read-modify-write operation.  |
| 7         | MPU       | RO   | 1     | MPU Present<br>When set, indicates that the Cortex-M3 Memory Protection Unit (MPU) module is present. See the "Cortex-M3 Peripherals" chapter in the Stellaris Data Sheet for details on the MPU.  |
| 6:5       | reserved  | RO   | 0     | Software should not rely on the value of a reserved bit. To provide compatibility with future products, the value of a reserved bit should be preserved across a read-modify-write operation.  |

---

| Bit/Field | Name | Type | Reset | Description  |
|-----------|------|------|-------|--|
| 4         | PLL  | RO   | 1     | PLL Present<br>When set, indicates that the on-chip Phase Locked Loop (PLL) is present.                |
| 3         | WDT  | RO   | 1     | Watchdog Timer Present<br>When set, indicates that a watchdog timer is present.                        |
| 2         | SWO  | RO   | 1     | SWO Trace Port Present<br>When set, indicates that the Serial Wire Output (SWO) trace port is present. |
| 1         | SWD  | RO   | 1     | SWD Present<br>When set, indicates that the Serial Wire Debugger (SWD) is present.                     |
| 0         | JTAG | RO   | 1     | JTAG Present<br>When set, indicates that the JTAG debugger interface is present.                       |

## Register 16: Device Capabilities 2 (DC2), offset 0x014

This register provides a list of features available in the system. The Stellaris family uses this register format to indicate the availability of the following family features in the specific device: Analog Comparators, General-Purpose Timers, I2Cs, QEIs, SSIs, and UARTs. The format of this register is consistent with the **RCGC1**, **SCGC1**, and **DCGC1** clock control registers and the **SRCR1** software reset control register.

### Device Capabilities 2 (DC2)

Base 0x400F.E000

Offset 0x014

Type RO, reset 0x0707.0013

|       |          |    |    |    |    |       |       |       |          |    |    |    |      |          |        |        |       |
|-------|----------|----|----|----|----|-------|-------|-------|----------|----|----|----|------|----------|--------|--------|-------|
|       | 31       | 30 | 29 | 28 | 27 | 26    | 25    | 24    | 23       | 22 | 21 | 20 | 19   | 18       | 17     | 16     |       |
|       | reserved |    |    |    |    | COMP2 | COMP1 | COMP0 | reserved |    |    |    |      | TIMER2   | TIMER1 | TIMER0 |       |
| Type  | RO       | RO | RO | RO | RO | RO    | RO    | RO    | RO       | RO | RO | RO | RO   | RO       | RO     | RO     |       |
| Reset | 0        | 0  | 0  | 0  | 0  | 1     | 1     | 1     | 0        | 0  | 0  | 0  | 0    | 1        | 1      | 1      |       |
|       | 15       | 14 | 13 | 12 | 11 | 10    | 9     | 8     | 7        | 6  | 5  | 4  | 3    | 2        | 1      | 0      |       |
|       | reserved |    |    |    |    |       |       |       |          |    |    |    | SSI0 | reserved |        | UART1  | UART0 |
| Type  | RO       | RO | RO | RO | RO | RO    | RO    | RO    | RO       | RO | RO | RO | RO   | RO       | RO     | RO     |       |
| Reset | 0        | 0  | 0  | 0  | 0  | 0     | 0     | 0     | 0        | 0  | 0  | 0  | 1    | 0        | 0      | 1      |       |

| Bit/Field | Name     | Type | Reset | Description   |
|-----------|----------|------|-------|---|
| 31:27     | reserved | RO   | 0     | Software should not rely on the value of a reserved bit. To provide compatibility with future products, the value of a reserved bit should be preserved across a read-modify-write operation. |
| 26        | COMP2    | RO   | 1     | Analog Comparator 2 Present<br>When set, indicates that analog comparator 2 is present.   |
| 25        | COMP1    | RO   | 1     | Analog Comparator 1 Present<br>When set, indicates that analog comparator 1 is present.   |
| 24        | COMP0    | RO   | 1     | Analog Comparator 0 Present<br>When set, indicates that analog comparator 0 is present.   |
| 23:19     | reserved | RO   | 0     | Software should not rely on the value of a reserved bit. To provide compatibility with future products, the value of a reserved bit should be preserved across a read-modify-write operation. |
| 18        | TIMER2   | RO   | 1     | Timer 2 Present<br>When set, indicates that General-Purpose Timer module 2 is present.  |
| 17        | TIMER1   | RO   | 1     | Timer 1 Present<br>When set, indicates that General-Purpose Timer module 1 is present.  |
| 16        | TIMER0   | RO   | 1     | Timer 0 Present<br>When set, indicates that General-Purpose Timer module 0 is present.  |
| 15:5      | reserved | RO   | 0     | Software should not rely on the value of a reserved bit. To provide compatibility with future products, the value of a reserved bit should be preserved across a read-modify-write operation. |
| 4         | SSI0     | RO   | 1     | SSI0 Present<br>When set, indicates that SSI module 0 is present.   |

---

| Bit/Field | Name     | Type | Reset | Description   |
|-----------|----------|------|-------|---|
| 3:2       | reserved | RO   | 0     | Software should not rely on the value of a reserved bit. To provide compatibility with future products, the value of a reserved bit should be preserved across a read-modify-write operation. |
| 1         | UART1    | RO   | 1     | UART1 Present<br>When set, indicates that UART module 1 is present.   |
| 0         | UART0    | RO   | 1     | UART0 Present<br>When set, indicates that UART module 0 is present.   |

## Register 17: Device Capabilities 3 (DC3), offset 0x018

This register provides a list of features available in the system. The Stellaris family uses this register format to indicate the availability of the following family features in the specific device: Analog Comparator I/Os, CCP I/Os, ADC I/Os, and PWM I/Os.

### Device Capabilities 3 (DC3)

Base 0x400F.E000  
Offset 0x018  
Type RO, reset 0xBF00.7FFF

|       |          |          |        |         |      |        |         |      |          |         |      |      |      |      |      |      |
|-------|----------|----------|--------|---------|------|--------|---------|------|----------|---------|------|------|------|------|------|------|
|       | 31       | 30       | 29     | 28      | 27   | 26     | 25      | 24   | 23       | 22      | 21   | 20   | 19   | 18   | 17   | 16   |
|       | 32KHZ    | reserved | CCP5   | CCP4    | CCP3 | CCP2   | CCP1    | CCP0 | reserved |         |      |      |      |      |      |      |
| Type  | RO       | RO       | RO     | RO      | RO   | RO     | RO      | RO   | RO       | RO      | RO   | RO   | RO   | RO   | RO   | RO   |
| Reset | 1        | 0        | 1      | 1       | 1    | 1      | 1       | 1    | 0        | 0       | 0    | 0    | 0    | 0    | 0    | 0    |
|       | 15       | 14       | 13     | 12      | 11   | 10     | 9       | 8    | 7        | 6       | 5    | 4    | 3    | 2    | 1    | 0    |
|       | reserved | C2O      | C2PLUS | C2MINUS | C1O  | C1PLUS | C1MINUS | C0O  | C0PLUS   | C0MINUS | PWM5 | PWM4 | PWM3 | PWM2 | PWM1 | PWM0 |
| Type  | RO       | RO       | RO     | RO      | RO   | RO     | RO      | RO   | RO       | RO      | RO   | RO   | RO   | RO   | RO   | RO   |
| Reset | 0        | 1        | 1      | 1       | 1    | 1      | 1       | 1    | 1        | 1       | 1    | 1    | 1    | 1    | 1    | 1    |

| Bit/Field | Name     | Type | Reset | Description   |
|-----------|----------|------|-------|---|
| 31        | 32KHZ    | RO   | 1     | 32KHz Input Clock Available<br>When set, indicates the 32KHz pin or an even CCP pin is present and can be used as a 32-KHz input clock.   |
| 30        | reserved | RO   | 0     | Software should not rely on the value of a reserved bit. To provide compatibility with future products, the value of a reserved bit should be preserved across a read-modify-write operation. |
| 29        | CCP5     | RO   | 1     | CCP5 Pin Present<br>When set, indicates that Capture/Compare/PWM pin 5 is present.  |
| 28        | CCP4     | RO   | 1     | CCP4 Pin Present<br>When set, indicates that Capture/Compare/PWM pin 4 is present.  |
| 27        | CCP3     | RO   | 1     | CCP3 Pin Present<br>When set, indicates that Capture/Compare/PWM pin 3 is present.  |
| 26        | CCP2     | RO   | 1     | CCP2 Pin Present<br>When set, indicates that Capture/Compare/PWM pin 2 is present.  |
| 25        | CCP1     | RO   | 1     | CCP1 Pin Present<br>When set, indicates that Capture/Compare/PWM pin 1 is present.  |
| 24        | CCP0     | RO   | 1     | CCP0 Pin Present<br>When set, indicates that Capture/Compare/PWM pin 0 is present.  |
| 23:15     | reserved | RO   | 0     | Software should not rely on the value of a reserved bit. To provide compatibility with future products, the value of a reserved bit should be preserved across a read-modify-write operation. |
| 14        | C2O      | RO   | 1     | C2o Pin Present<br>When set, indicates that the analog comparator 2 output pin is present.  |
| 13        | C2PLUS   | RO   | 1     | C2+ Pin Present<br>When set, indicates that the analog comparator 2 (+) input pin is present.   |

| Bit/Field | Name    | Type | Reset | Description   |
|-----------|---------|------|-------|---|
| 12        | C2MINUS | RO   | 1     | C2- Pin Present<br>When set, indicates that the analog comparator 2 (-) input pin is present. |
| 11        | C1O     | RO   | 1     | C1o Pin Present<br>When set, indicates that the analog comparator 1 output pin is present.    |
| 10        | C1PLUS  | RO   | 1     | C1+ Pin Present<br>When set, indicates that the analog comparator 1 (+) input pin is present. |
| 9         | C1MINUS | RO   | 1     | C1- Pin Present<br>When set, indicates that the analog comparator 1 (-) input pin is present. |
| 8         | C0O     | RO   | 1     | C0o Pin Present<br>When set, indicates that the analog comparator 0 output pin is present.    |
| 7         | C0PLUS  | RO   | 1     | C0+ Pin Present<br>When set, indicates that the analog comparator 0 (+) input pin is present. |
| 6         | C0MINUS | RO   | 1     | C0- Pin Present<br>When set, indicates that the analog comparator 0 (-) input pin is present. |
| 5         | PWM5    | RO   | 1     | PWM5 Pin Present<br>When set, indicates that the PWM pin 5 is present.                        |
| 4         | PWM4    | RO   | 1     | PWM4 Pin Present<br>When set, indicates that the PWM pin 4 is present.                        |
| 3         | PWM3    | RO   | 1     | PWM3 Pin Present<br>When set, indicates that the PWM pin 3 is present.                        |
| 2         | PWM2    | RO   | 1     | PWM2 Pin Present<br>When set, indicates that the PWM pin 2 is present.                        |
| 1         | PWM1    | RO   | 1     | PWM1 Pin Present<br>When set, indicates that the PWM pin 1 is present.                        |
| 0         | PWM0    | RO   | 1     | PWM0 Pin Present<br>When set, indicates that the PWM pin 0 is present.                        |

### Register 18: Device Capabilities 4 (DC4), offset 0x01C

This register provides a list of features available in the system. The Stellaris family uses this register format to indicate the availability of GPIOs in the specific device. The format of this register is consistent with the **RCGC2**, **SCGC2**, and **DCGC2** clock control registers and the **SRCR2** software reset control register.

#### Device Capabilities 4 (DC4)

Base 0x400F.E000  
 Offset 0x01C  
 Type RO, reset 0x0000.001F

|       |          |    |    |    |    |    |    |    |    |    |    |    |       |       |       |       |       |
|-------|----------|----|----|----|----|----|----|----|----|----|----|----|-------|-------|-------|-------|-------|
|       | 31       | 30 | 29 | 28 | 27 | 26 | 25 | 24 | 23 | 22 | 21 | 20 | 19    | 18    | 17    | 16    |       |
|       | reserved |    |    |    |    |    |    |    |    |    |    |    |       |       |       |       |       |
| Type  | RO       | RO | RO | RO | RO | RO | RO | RO | RO | RO | RO | RO | RO    | RO    | RO    | RO    |       |
| Reset | 0        | 0  | 0  | 0  | 0  | 0  | 0  | 0  | 0  | 0  | 0  | 0  | 0     | 0     | 0     | 0     |       |
|       | 15       | 14 | 13 | 12 | 11 | 10 | 9  | 8  | 7  | 6  | 5  | 4  | 3     | 2     | 1     | 0     |       |
|       | reserved |    |    |    |    |    |    |    |    |    |    |    | GPIOE | GIPOD | GPIOC | GPIOB | GPIOA |
| Type  | RO       | RO | RO | RO | RO | RO | RO | RO | RO | RO | RO | RO | RO    | RO    | RO    | RO    |       |
| Reset | 0        | 0  | 0  | 0  | 0  | 0  | 0  | 0  | 0  | 0  | 0  | 0  | 1     | 1     | 1     | 1     |       |

| Bit/Field | Name     | Type | Reset | Description   |
|-----------|----------|------|-------|---|
| 31:5      | reserved | RO   | 0     | Software should not rely on the value of a reserved bit. To provide compatibility with future products, the value of a reserved bit should be preserved across a read-modify-write operation. |
| 4         | GPIOE    | RO   | 1     | GPIO Port E Present<br>When set, indicates that GPIO Port E is present.   |
| 3         | GIPOD    | RO   | 1     | GPIO Port D Present<br>When set, indicates that GPIO Port D is present.   |
| 2         | GPIOC    | RO   | 1     | GPIO Port C Present<br>When set, indicates that GPIO Port C is present.   |
| 1         | GPIOB    | RO   | 1     | GPIO Port B Present<br>When set, indicates that GPIO Port B is present.   |
| 0         | GPIOA    | RO   | 1     | GPIO Port A Present<br>When set, indicates that GPIO Port A is present.   |

## Register 19: Run Mode Clock Gating Control Register 0 (RCGC0), offset 0x100

This register controls the clock gating logic. Each bit controls a clock enable for a given interface, function, or unit. If set, the unit receives a clock and functions. Otherwise, the unit is unclocked and disabled (saving power). If the unit is unclocked, reads or writes to the unit will generate a bus fault. The reset state of these bits is 0 (unclocked) unless otherwise noted, so that all functional units are disabled. It is the responsibility of software to enable the ports necessary for the application. Note that these registers may contain more bits than there are interfaces, functions, or units to control. This is to assure reasonable code compatibility with other family and future parts. **RCGC0** is the clock configuration register for running operation, **SCGC0** for Sleep operation, and **DCGC0** for Deep-Sleep operation. Setting the **ACG** bit in the **Run-Mode Clock Configuration (RCC)** register specifies that the system uses sleep modes.

### Run Mode Clock Gating Control Register 0 (RCGC0)

Base 0x400F.E000

Offset 0x100

Type R/W, reset 0x00000040

|       |          |    |    |    |    |    |    |    |    |    |    |     |          |    |    |    |
|-------|----------|----|----|----|----|----|----|----|----|----|----|-----|----------|----|----|----|
|       | 31       | 30 | 29 | 28 | 27 | 26 | 25 | 24 | 23 | 22 | 21 | 20  | 19       | 18 | 17 | 16 |
|       | reserved |    |    |    |    |    |    |    |    |    |    | PWM | reserved |    |    |    |
| Type  | RO       | RO | RO | RO | RO | RO | RO | RO | RO | RO | RO | R/W | RO       | RO | RO | RO |
| Reset | 0        | 0  | 0  | 0  | 0  | 0  | 0  | 0  | 0  | 0  | 0  | 0   | 0        | 0  | 0  | 0  |
|       | 15       | 14 | 13 | 12 | 11 | 10 | 9  | 8  | 7  | 6  | 5  | 4   | 3        | 2  | 1  | 0  |
|       | reserved |    |    |    |    |    |    |    |    |    |    | WDT | reserved |    |    |    |
| Type  | RO       | RO | RO | RO | RO | RO | RO | RO | RO | RO | RO | RO  | R/W      | RO | RO | RO |
| Reset | 0        | 0  | 0  | 0  | 0  | 0  | 0  | 0  | 0  | 0  | 0  | 0   | 0        | 0  | 0  | 0  |

| Bit/Field | Name     | Type | Reset | Description  |
|-----------|----------|------|-------|--|
| 31:21     | reserved | RO   | 0     | Software should not rely on the value of a reserved bit. To provide compatibility with future products, the value of a reserved bit should be preserved across a read-modify-write operation.  |
| 20        | PWM      | R/W  | 0     | <p>PWM Clock Gating Control</p> <p>This bit controls the clock gating for the PWM module. If set, the unit receives a clock and functions. Otherwise, the unit is unclocked and disabled. If the unit is unclocked, a read or write to the unit generates a bus fault.</p> |
| 19:4      | reserved | RO   | 0     | Software should not rely on the value of a reserved bit. To provide compatibility with future products, the value of a reserved bit should be preserved across a read-modify-write operation.  |
| 3         | WDT      | R/W  | 0     | <p>WDT Clock Gating Control</p> <p>This bit controls the clock gating for the WDT module. If set, the unit receives a clock and functions. Otherwise, the unit is unclocked and disabled. If the unit is unclocked, a read or write to the unit generates a bus fault.</p> |
| 2:0       | reserved | RO   | 0     | Software should not rely on the value of a reserved bit. To provide compatibility with future products, the value of a reserved bit should be preserved across a read-modify-write operation.  |

## Register 20: Sleep Mode Clock Gating Control Register 0 (SCGC0), offset 0x110

This register controls the clock gating logic. Each bit controls a clock enable for a given interface, function, or unit. If set, the unit receives a clock and functions. Otherwise, the unit is unlocked and disabled (saving power). If the unit is unlocked, reads or writes to the unit will generate a bus fault. The reset state of these bits is 0 (unlocked) unless otherwise noted, so that all functional units are disabled. It is the responsibility of software to enable the ports necessary for the application. Note that these registers may contain more bits than there are interfaces, functions, or units to control. This is to assure reasonable code compatibility with other family and future parts. **RCGC0** is the clock configuration register for running operation, **SCGC0** for Sleep operation, and **DCGC0** for Deep-Sleep operation. Setting the **ACG** bit in the **Run-Mode Clock Configuration (RCC)** register specifies that the system uses sleep modes.

### Sleep Mode Clock Gating Control Register 0 (SCGC0)

Base 0x400F.E000  
 Offset 0x110  
 Type R/W, reset 0x00000040

|       |          |    |    |    |    |    |    |    |    |    |    |     |          |    |    |    |
|-------|----------|----|----|----|----|----|----|----|----|----|----|-----|----------|----|----|----|
|       | 31       | 30 | 29 | 28 | 27 | 26 | 25 | 24 | 23 | 22 | 21 | 20  | 19       | 18 | 17 | 16 |
|       | reserved |    |    |    |    |    |    |    |    |    |    | PWM | reserved |    |    |    |
| Type  | RO       | RO | RO | RO | RO | RO | RO | RO | RO | RO | RO | R/W | RO       | RO | RO | RO |
| Reset | 0        | 0  | 0  | 0  | 0  | 0  | 0  | 0  | 0  | 0  | 0  | 0   | 0        | 0  | 0  | 0  |
|       | 15       | 14 | 13 | 12 | 11 | 10 | 9  | 8  | 7  | 6  | 5  | 4   | 3        | 2  | 1  | 0  |
|       | reserved |    |    |    |    |    |    |    |    |    |    | WDT | reserved |    |    |    |
| Type  | RO       | RO | RO | RO | RO | RO | RO | RO | RO | RO | RO | RO  | R/W      | RO | RO | RO |
| Reset | 0        | 0  | 0  | 0  | 0  | 0  | 0  | 0  | 0  | 0  | 0  | 0   | 0        | 0  | 0  | 0  |

| Bit/Field | Name     | Type | Reset | Description   |
|-----------|----------|------|-------|---|
| 31:21     | reserved | RO   | 0     | Software should not rely on the value of a reserved bit. To provide compatibility with future products, the value of a reserved bit should be preserved across a read-modify-write operation.   |
| 20        | PWM      | R/W  | 0     | PWM Clock Gating Control<br>This bit controls the clock gating for the PWM module. If set, the unit receives a clock and functions. Otherwise, the unit is unlocked and disabled. If the unit is unlocked, a read or write to the unit generates a bus fault. |
| 19:4      | reserved | RO   | 0     | Software should not rely on the value of a reserved bit. To provide compatibility with future products, the value of a reserved bit should be preserved across a read-modify-write operation.   |
| 3         | WDT      | R/W  | 0     | WDT Clock Gating Control<br>This bit controls the clock gating for the WDT module. If set, the unit receives a clock and functions. Otherwise, the unit is unlocked and disabled. If the unit is unlocked, a read or write to the unit generates a bus fault. |
| 2:0       | reserved | RO   | 0     | Software should not rely on the value of a reserved bit. To provide compatibility with future products, the value of a reserved bit should be preserved across a read-modify-write operation.   |

## Register 21: Deep Sleep Mode Clock Gating Control Register 0 (DCGC0), offset 0x120

This register controls the clock gating logic. Each bit controls a clock enable for a given interface, function, or unit. If set, the unit receives a clock and functions. Otherwise, the unit is unlocked and disabled (saving power). If the unit is unlocked, reads or writes to the unit will generate a bus fault. The reset state of these bits is 0 (unlocked) unless otherwise noted, so that all functional units are disabled. It is the responsibility of software to enable the ports necessary for the application. Note that these registers may contain more bits than there are interfaces, functions, or units to control. This is to assure reasonable code compatibility with other family and future parts. **RCGC0** is the clock configuration register for running operation, **SCGC0** for Sleep operation, and **DCGC0** for Deep-Sleep operation. Setting the **ACG** bit in the **Run-Mode Clock Configuration (RCC)** register specifies that the system uses sleep modes.

### Deep Sleep Mode Clock Gating Control Register 0 (DCGC0)

Base 0x400F.E000  
Offset 0x120  
Type R/W, reset 0x00000040

|       |          |    |    |    |    |    |    |    |    |    |    |     |          |    |    |    |
|-------|----------|----|----|----|----|----|----|----|----|----|----|-----|----------|----|----|----|
|       | 31       | 30 | 29 | 28 | 27 | 26 | 25 | 24 | 23 | 22 | 21 | 20  | 19       | 18 | 17 | 16 |
|       | reserved |    |    |    |    |    |    |    |    |    |    | PWM | reserved |    |    |    |
| Type  | RO       | RO | RO | RO | RO | RO | RO | RO | RO | RO | RO | R/W | RO       | RO | RO | RO |
| Reset | 0        | 0  | 0  | 0  | 0  | 0  | 0  | 0  | 0  | 0  | 0  | 0   | 0        | 0  | 0  | 0  |
|       | 15       | 14 | 13 | 12 | 11 | 10 | 9  | 8  | 7  | 6  | 5  | 4   | 3        | 2  | 1  | 0  |
|       | reserved |    |    |    |    |    |    |    |    |    |    | WDT | reserved |    |    |    |
| Type  | RO       | RO | RO | RO | RO | RO | RO | RO | RO | RO | RO | RO  | R/W      | RO | RO | RO |
| Reset | 0        | 0  | 0  | 0  | 0  | 0  | 0  | 0  | 0  | 0  | 0  | 0   | 0        | 0  | 0  | 0  |

| Bit/Field | Name     | Type | Reset | Description   |
|-----------|----------|------|-------|---|
| 31:21     | reserved | RO   | 0     | Software should not rely on the value of a reserved bit. To provide compatibility with future products, the value of a reserved bit should be preserved across a read-modify-write operation.   |
| 20        | PWM      | R/W  | 0     | PWM Clock Gating Control<br><br>This bit controls the clock gating for the PWM module. If set, the unit receives a clock and functions. Otherwise, the unit is unlocked and disabled. If the unit is unlocked, a read or write to the unit generates a bus fault. |
| 19:4      | reserved | RO   | 0     | Software should not rely on the value of a reserved bit. To provide compatibility with future products, the value of a reserved bit should be preserved across a read-modify-write operation.   |
| 3         | WDT      | R/W  | 0     | WDT Clock Gating Control<br><br>This bit controls the clock gating for the WDT module. If set, the unit receives a clock and functions. Otherwise, the unit is unlocked and disabled. If the unit is unlocked, a read or write to the unit generates a bus fault. |
| 2:0       | reserved | RO   | 0     | Software should not rely on the value of a reserved bit. To provide compatibility with future products, the value of a reserved bit should be preserved across a read-modify-write operation.   |

## Register 22: Run Mode Clock Gating Control Register 1 (RCGC1), offset 0x104

This register controls the clock gating logic. Each bit controls a clock enable for a given interface, function, or unit. If set, the unit receives a clock and functions. Otherwise, the unit is unclocked and disabled (saving power). If the unit is unclocked, reads or writes to the unit will generate a bus fault. The reset state of these bits is 0 (unclocked) unless otherwise noted, so that all functional units are disabled. It is the responsibility of software to enable the ports necessary for the application. Note that these registers may contain more bits than there are interfaces, functions, or units to control. This is to assure reasonable code compatibility with other family and future parts. **RCGC1** is the clock configuration register for running operation, **SCGC1** for Sleep operation, and **DCGC1** for Deep-Sleep operation. Setting the **ACG** bit in the **Run-Mode Clock Configuration (RCC)** register specifies that the system uses sleep modes.

### Run Mode Clock Gating Control Register 1 (RCGC1)

Base 0x400F.E000  
 Offset 0x104  
 Type R/W, reset 0x00000000

|       |          |    |    |    |    |       |       |       |          |    |    |     |      |          |        |        |       |
|-------|----------|----|----|----|----|-------|-------|-------|----------|----|----|-----|------|----------|--------|--------|-------|
|       | 31       | 30 | 29 | 28 | 27 | 26    | 25    | 24    | 23       | 22 | 21 | 20  | 19   | 18       | 17     | 16     |       |
|       | reserved |    |    |    |    | COMP2 | COMP1 | COMP0 | reserved |    |    |     |      | TIMER2   | TIMER1 | TIMER0 |       |
| Type  | RO       | RO | RO | RO | RO | R/W   | R/W   | R/W   | RO       | RO | RO | RO  | RO   | R/W      | R/W    | R/W    |       |
| Reset | 0        | 0  | 0  | 0  | 0  | 0     | 0     | 0     | 0        | 0  | 0  | 0   | 0    | 0        | 0      | 0      |       |
|       | 15       | 14 | 13 | 12 | 11 | 10    | 9     | 8     | 7        | 6  | 5  | 4   | 3    | 2        | 1      | 0      |       |
|       | reserved |    |    |    |    |       |       |       |          |    |    |     | SSIO | reserved |        | UART1  | UART0 |
| Type  | RO       | RO | RO | RO | RO | RO    | RO    | RO    | RO       | RO | RO | R/W | RO   | RO       | R/W    | R/W    |       |
| Reset | 0        | 0  | 0  | 0  | 0  | 0     | 0     | 0     | 0        | 0  | 0  | 0   | 0    | 0        | 0      | 0      |       |

| Bit/Field | Name     | Type | Reset | Description   |
|-----------|----------|------|-------|---|
| 31:27     | reserved | RO   | 0     | Software should not rely on the value of a reserved bit. To provide compatibility with future products, the value of a reserved bit should be preserved across a read-modify-write operation.   |
| 26        | COMP2    | R/W  | 0     | <p>Analog Comparator 2 Clock Gating</p> <p>This bit controls the clock gating for analog comparator 2. If set, the unit receives a clock and functions. Otherwise, the unit is unclocked and disabled. If the unit is unclocked, reads or writes to the unit will generate a bus fault.</p> |
| 25        | COMP1    | R/W  | 0     | <p>Analog Comparator 1 Clock Gating</p> <p>This bit controls the clock gating for analog comparator 1. If set, the unit receives a clock and functions. Otherwise, the unit is unclocked and disabled. If the unit is unclocked, reads or writes to the unit will generate a bus fault.</p> |
| 24        | COMP0    | R/W  | 0     | <p>Analog Comparator 0 Clock Gating</p> <p>This bit controls the clock gating for analog comparator 0. If set, the unit receives a clock and functions. Otherwise, the unit is unclocked and disabled. If the unit is unclocked, reads or writes to the unit will generate a bus fault.</p> |
| 23:19     | reserved | RO   | 0     | Software should not rely on the value of a reserved bit. To provide compatibility with future products, the value of a reserved bit should be preserved across a read-modify-write operation.   |

| Bit/Field | Name     | Type | Reset | Description  |
|-----------|----------|------|-------|--|
| 18        | TIMER2   | R/W  | 0     | <p>Timer 2 Clock Gating Control</p> <p>This bit controls the clock gating for General-Purpose Timer module 2. If set, the unit receives a clock and functions. Otherwise, the unit is unlocked and disabled. If the unit is unlocked, reads or writes to the unit will generate a bus fault.</p> |
| 17        | TIMER1   | R/W  | 0     | <p>Timer 1 Clock Gating Control</p> <p>This bit controls the clock gating for General-Purpose Timer module 1. If set, the unit receives a clock and functions. Otherwise, the unit is unlocked and disabled. If the unit is unlocked, reads or writes to the unit will generate a bus fault.</p> |
| 16        | TIMER0   | R/W  | 0     | <p>Timer 0 Clock Gating Control</p> <p>This bit controls the clock gating for General-Purpose Timer module 0. If set, the unit receives a clock and functions. Otherwise, the unit is unlocked and disabled. If the unit is unlocked, reads or writes to the unit will generate a bus fault.</p> |
| 15:5      | reserved | RO   | 0     | Software should not rely on the value of a reserved bit. To provide compatibility with future products, the value of a reserved bit should be preserved across a read-modify-write operation.  |
| 4         | SSI0     | R/W  | 0     | <p>SSI0 Clock Gating Control</p> <p>This bit controls the clock gating for SSI module 0. If set, the unit receives a clock and functions. Otherwise, the unit is unlocked and disabled. If the unit is unlocked, reads or writes to the unit will generate a bus fault.</p>                      |
| 3:2       | reserved | RO   | 0     | Software should not rely on the value of a reserved bit. To provide compatibility with future products, the value of a reserved bit should be preserved across a read-modify-write operation.  |
| 1         | UART1    | R/W  | 0     | <p>UART1 Clock Gating Control</p> <p>This bit controls the clock gating for UART module 1. If set, the unit receives a clock and functions. Otherwise, the unit is unlocked and disabled. If the unit is unlocked, reads or writes to the unit will generate a bus fault.</p>                    |
| 0         | UART0    | R/W  | 0     | <p>UART0 Clock Gating Control</p> <p>This bit controls the clock gating for UART module 0. If set, the unit receives a clock and functions. Otherwise, the unit is unlocked and disabled. If the unit is unlocked, reads or writes to the unit will generate a bus fault.</p>                    |

## Register 23: Sleep Mode Clock Gating Control Register 1 (SCGC1), offset 0x114

This register controls the clock gating logic. Each bit controls a clock enable for a given interface, function, or unit. If set, the unit receives a clock and functions. Otherwise, the unit is unlocked and disabled (saving power). If the unit is unlocked, reads or writes to the unit will generate a bus fault. The reset state of these bits is 0 (unlocked) unless otherwise noted, so that all functional units are disabled. It is the responsibility of software to enable the ports necessary for the application. Note that these registers may contain more bits than there are interfaces, functions, or units to control. This is to assure reasonable code compatibility with other family and future parts. **RCGC1** is the clock configuration register for running operation, **SCGC1** for Sleep operation, and **DCGC1** for Deep-Sleep operation. Setting the **ACG** bit in the **Run-Mode Clock Configuration (RCC)** register specifies that the system uses sleep modes.

### Sleep Mode Clock Gating Control Register 1 (SCGC1)

Base 0x400F.E000  
Offset 0x114  
Type R/W, reset 0x00000000

|       |          |    |    |    |    |       |       |       |          |    |    |    |      |          |        |        |       |
|-------|----------|----|----|----|----|-------|-------|-------|----------|----|----|----|------|----------|--------|--------|-------|
|       | 31       | 30 | 29 | 28 | 27 | 26    | 25    | 24    | 23       | 22 | 21 | 20 | 19   | 18       | 17     | 16     |       |
|       | reserved |    |    |    |    | COMP2 | COMP1 | COMP0 | reserved |    |    |    |      | TIMER2   | TIMER1 | TIMER0 |       |
| Type  | RO       | RO | RO | RO | RO | R/W   | R/W   | R/W   | RO       | RO | RO | RO | RO   | R/W      | R/W    | R/W    |       |
| Reset | 0        | 0  | 0  | 0  | 0  | 0     | 0     | 0     | 0        | 0  | 0  | 0  | 0    | 0        | 0      | 0      |       |
|       | 15       | 14 | 13 | 12 | 11 | 10    | 9     | 8     | 7        | 6  | 5  | 4  | 3    | 2        | 1      | 0      |       |
|       | reserved |    |    |    |    |       |       |       |          |    |    |    | SSI0 | reserved |        | UART1  | UART0 |
| Type  | RO       | RO | RO | RO | RO | RO    | RO    | RO    | RO       | RO | RO | RO | R/W  | RO       | RO     | R/W    | R/W   |
| Reset | 0        | 0  | 0  | 0  | 0  | 0     | 0     | 0     | 0        | 0  | 0  | 0  | 0    | 0        | 0      | 0      | 0     |

| Bit/Field | Name     | Type | Reset | Description   |
|-----------|----------|------|-------|---|
| 31:27     | reserved | RO   | 0     | Software should not rely on the value of a reserved bit. To provide compatibility with future products, the value of a reserved bit should be preserved across a read-modify-write operation.   |
| 26        | COMP2    | R/W  | 0     | <p>Analog Comparator 2 Clock Gating</p> <p>This bit controls the clock gating for analog comparator 2. If set, the unit receives a clock and functions. Otherwise, the unit is unlocked and disabled. If the unit is unlocked, reads or writes to the unit will generate a bus fault.</p> |
| 25        | COMP1    | R/W  | 0     | <p>Analog Comparator 1 Clock Gating</p> <p>This bit controls the clock gating for analog comparator 1. If set, the unit receives a clock and functions. Otherwise, the unit is unlocked and disabled. If the unit is unlocked, reads or writes to the unit will generate a bus fault.</p> |
| 24        | COMP0    | R/W  | 0     | <p>Analog Comparator 0 Clock Gating</p> <p>This bit controls the clock gating for analog comparator 0. If set, the unit receives a clock and functions. Otherwise, the unit is unlocked and disabled. If the unit is unlocked, reads or writes to the unit will generate a bus fault.</p> |
| 23:19     | reserved | RO   | 0     | Software should not rely on the value of a reserved bit. To provide compatibility with future products, the value of a reserved bit should be preserved across a read-modify-write operation.   |

| Bit/Field | Name     | Type | Reset | Description  |
|-----------|----------|------|-------|--|
| 18        | TIMER2   | R/W  | 0     | <p>Timer 2 Clock Gating Control</p> <p>This bit controls the clock gating for General-Purpose Timer module 2. If set, the unit receives a clock and functions. Otherwise, the unit is unlocked and disabled. If the unit is unlocked, reads or writes to the unit will generate a bus fault.</p> |
| 17        | TIMER1   | R/W  | 0     | <p>Timer 1 Clock Gating Control</p> <p>This bit controls the clock gating for General-Purpose Timer module 1. If set, the unit receives a clock and functions. Otherwise, the unit is unlocked and disabled. If the unit is unlocked, reads or writes to the unit will generate a bus fault.</p> |
| 16        | TIMER0   | R/W  | 0     | <p>Timer 0 Clock Gating Control</p> <p>This bit controls the clock gating for General-Purpose Timer module 0. If set, the unit receives a clock and functions. Otherwise, the unit is unlocked and disabled. If the unit is unlocked, reads or writes to the unit will generate a bus fault.</p> |
| 15:5      | reserved | RO   | 0     | Software should not rely on the value of a reserved bit. To provide compatibility with future products, the value of a reserved bit should be preserved across a read-modify-write operation.  |
| 4         | SSI0     | R/W  | 0     | <p>SSI0 Clock Gating Control</p> <p>This bit controls the clock gating for SSI module 0. If set, the unit receives a clock and functions. Otherwise, the unit is unlocked and disabled. If the unit is unlocked, reads or writes to the unit will generate a bus fault.</p>                      |
| 3:2       | reserved | RO   | 0     | Software should not rely on the value of a reserved bit. To provide compatibility with future products, the value of a reserved bit should be preserved across a read-modify-write operation.  |
| 1         | UART1    | R/W  | 0     | <p>UART1 Clock Gating Control</p> <p>This bit controls the clock gating for UART module 1. If set, the unit receives a clock and functions. Otherwise, the unit is unlocked and disabled. If the unit is unlocked, reads or writes to the unit will generate a bus fault.</p>                    |
| 0         | UART0    | R/W  | 0     | <p>UART0 Clock Gating Control</p> <p>This bit controls the clock gating for UART module 0. If set, the unit receives a clock and functions. Otherwise, the unit is unlocked and disabled. If the unit is unlocked, reads or writes to the unit will generate a bus fault.</p>                    |

## Register 24: Deep Sleep Mode Clock Gating Control Register 1 (DCGC1), offset 0x124

This register controls the clock gating logic. Each bit controls a clock enable for a given interface, function, or unit. If set, the unit receives a clock and functions. Otherwise, the unit is unlocked and disabled (saving power). If the unit is unlocked, reads or writes to the unit will generate a bus fault. The reset state of these bits is 0 (unlocked) unless otherwise noted, so that all functional units are disabled. It is the responsibility of software to enable the ports necessary for the application. Note that these registers may contain more bits than there are interfaces, functions, or units to control. This is to assure reasonable code compatibility with other family and future parts. **RCGC1** is the clock configuration register for running operation, **SCGC1** for Sleep operation, and **DCGC1** for Deep-Sleep operation. Setting the **ACG** bit in the **Run-Mode Clock Configuration (RCC)** register specifies that the system uses sleep modes.

### Deep Sleep Mode Clock Gating Control Register 1 (DCGC1)

Base 0x400F.E000  
 Offset 0x124  
 Type R/W, reset 0x00000000

|       |          |    |    |    |    |       |       |       |          |    |    |     |      |          |        |        |       |
|-------|----------|----|----|----|----|-------|-------|-------|----------|----|----|-----|------|----------|--------|--------|-------|
|       | 31       | 30 | 29 | 28 | 27 | 26    | 25    | 24    | 23       | 22 | 21 | 20  | 19   | 18       | 17     | 16     |       |
|       | reserved |    |    |    |    | COMP2 | COMP1 | COMP0 | reserved |    |    |     |      | TIMER2   | TIMER1 | TIMER0 |       |
| Type  | RO       | RO | RO | RO | RO | R/W   | R/W   | R/W   | RO       | RO | RO | RO  | RO   | R/W      | R/W    | R/W    |       |
| Reset | 0        | 0  | 0  | 0  | 0  | 0     | 0     | 0     | 0        | 0  | 0  | 0   | 0    | 0        | 0      | 0      |       |
|       | 15       | 14 | 13 | 12 | 11 | 10    | 9     | 8     | 7        | 6  | 5  | 4   | 3    | 2        | 1      | 0      |       |
|       | reserved |    |    |    |    |       |       |       |          |    |    |     | SSI0 | reserved |        | UART1  | UART0 |
| Type  | RO       | RO | RO | RO | RO | RO    | RO    | RO    | RO       | RO | RO | R/W | RO   | RO       | R/W    | R/W    |       |
| Reset | 0        | 0  | 0  | 0  | 0  | 0     | 0     | 0     | 0        | 0  | 0  | 0   | 0    | 0        | 0      | 0      |       |

| Bit/Field | Name     | Type | Reset | Description  |
|-----------|----------|------|-------|--|
| 31:27     | reserved | RO   | 0     | Software should not rely on the value of a reserved bit. To provide compatibility with future products, the value of a reserved bit should be preserved across a read-modify-write operation.  |
| 26        | COMP2    | R/W  | 0     | Analog Comparator 2 Clock Gating<br>This bit controls the clock gating for analog comparator 2. If set, the unit receives a clock and functions. Otherwise, the unit is unlocked and disabled. If the unit is unlocked, reads or writes to the unit will generate a bus fault. |
| 25        | COMP1    | R/W  | 0     | Analog Comparator 1 Clock Gating<br>This bit controls the clock gating for analog comparator 1. If set, the unit receives a clock and functions. Otherwise, the unit is unlocked and disabled. If the unit is unlocked, reads or writes to the unit will generate a bus fault. |
| 24        | COMP0    | R/W  | 0     | Analog Comparator 0 Clock Gating<br>This bit controls the clock gating for analog comparator 0. If set, the unit receives a clock and functions. Otherwise, the unit is unlocked and disabled. If the unit is unlocked, reads or writes to the unit will generate a bus fault. |
| 23:19     | reserved | RO   | 0     | Software should not rely on the value of a reserved bit. To provide compatibility with future products, the value of a reserved bit should be preserved across a read-modify-write operation.  |

| Bit/Field | Name     | Type | Reset | Description  |
|-----------|----------|------|-------|--|
| 18        | TIMER2   | R/W  | 0     | <p>Timer 2 Clock Gating Control</p> <p>This bit controls the clock gating for General-Purpose Timer module 2. If set, the unit receives a clock and functions. Otherwise, the unit is unlocked and disabled. If the unit is unlocked, reads or writes to the unit will generate a bus fault.</p> |
| 17        | TIMER1   | R/W  | 0     | <p>Timer 1 Clock Gating Control</p> <p>This bit controls the clock gating for General-Purpose Timer module 1. If set, the unit receives a clock and functions. Otherwise, the unit is unlocked and disabled. If the unit is unlocked, reads or writes to the unit will generate a bus fault.</p> |
| 16        | TIMER0   | R/W  | 0     | <p>Timer 0 Clock Gating Control</p> <p>This bit controls the clock gating for General-Purpose Timer module 0. If set, the unit receives a clock and functions. Otherwise, the unit is unlocked and disabled. If the unit is unlocked, reads or writes to the unit will generate a bus fault.</p> |
| 15:5      | reserved | RO   | 0     | Software should not rely on the value of a reserved bit. To provide compatibility with future products, the value of a reserved bit should be preserved across a read-modify-write operation.  |
| 4         | SSI0     | R/W  | 0     | <p>SSI0 Clock Gating Control</p> <p>This bit controls the clock gating for SSI module 0. If set, the unit receives a clock and functions. Otherwise, the unit is unlocked and disabled. If the unit is unlocked, reads or writes to the unit will generate a bus fault.</p>                      |
| 3:2       | reserved | RO   | 0     | Software should not rely on the value of a reserved bit. To provide compatibility with future products, the value of a reserved bit should be preserved across a read-modify-write operation.  |
| 1         | UART1    | R/W  | 0     | <p>UART1 Clock Gating Control</p> <p>This bit controls the clock gating for UART module 1. If set, the unit receives a clock and functions. Otherwise, the unit is unlocked and disabled. If the unit is unlocked, reads or writes to the unit will generate a bus fault.</p>                    |
| 0         | UART0    | R/W  | 0     | <p>UART0 Clock Gating Control</p> <p>This bit controls the clock gating for UART module 0. If set, the unit receives a clock and functions. Otherwise, the unit is unlocked and disabled. If the unit is unlocked, reads or writes to the unit will generate a bus fault.</p>                    |

## Register 25: Run Mode Clock Gating Control Register 2 (RCGC2), offset 0x108

This register controls the clock gating logic. Each bit controls a clock enable for a given interface, function, or unit. If set, the unit receives a clock and functions. Otherwise, the unit is unlocked and disabled (saving power). If the unit is unlocked, reads or writes to the unit will generate a bus fault. The reset state of these bits is 0 (unlocked) unless otherwise noted, so that all functional units are disabled. It is the responsibility of software to enable the ports necessary for the application. Note that these registers may contain more bits than there are interfaces, functions, or units to control. This is to assure reasonable code compatibility with other family and future parts. **RCGC2** is the clock configuration register for running operation, **SCGC2** for Sleep operation, and **DCGC2** for Deep-Sleep operation. Setting the **ACG** bit in the **Run-Mode Clock Configuration (RCC)** register specifies that the system uses sleep modes.

### Run Mode Clock Gating Control Register 2 (RCGC2)

Base 0x400F.E000  
Offset 0x108  
Type R/W, reset 0x00000000

|       |          |    |    |    |    |    |    |    |    |    |    |    |       |       |       |       |       |
|-------|----------|----|----|----|----|----|----|----|----|----|----|----|-------|-------|-------|-------|-------|
|       | 31       | 30 | 29 | 28 | 27 | 26 | 25 | 24 | 23 | 22 | 21 | 20 | 19    | 18    | 17    | 16    |       |
|       | reserved |    |    |    |    |    |    |    |    |    |    |    |       |       |       |       |       |
| Type  | RO       | RO | RO | RO | RO | RO | RO | RO | RO | RO | RO | RO | RO    | RO    | RO    | RO    |       |
| Reset | 0        | 0  | 0  | 0  | 0  | 0  | 0  | 0  | 0  | 0  | 0  | 0  | 0     | 0     | 0     | 0     |       |
|       | 15       | 14 | 13 | 12 | 11 | 10 | 9  | 8  | 7  | 6  | 5  | 4  | 3     | 2     | 1     | 0     |       |
|       | reserved |    |    |    |    |    |    |    |    |    |    |    | GPIOE | GPIOD | GPIOC | GPIOB | GPIOA |
| Type  | RO       | RO | RO | RO | RO | RO | RO | RO | RO | RO | RO | RO | R/W   | R/W   | R/W   | R/W   |       |
| Reset | 0        | 0  | 0  | 0  | 0  | 0  | 0  | 0  | 0  | 0  | 0  | 0  | 0     | 0     | 0     | 0     |       |

| Bit/Field | Name     | Type | Reset | Description  |
|-----------|----------|------|-------|--|
| 31:5      | reserved | RO   | 0     | Software should not rely on the value of a reserved bit. To provide compatibility with future products, the value of a reserved bit should be preserved across a read-modify-write operation.  |
| 4         | GPIOE    | R/W  | 0     | Port E Clock Gating Control<br>This bit controls the clock gating for Port E. If set, the unit receives a clock and functions. Otherwise, the unit is unlocked and disabled. If the unit is unlocked, reads or writes to the unit will generate a bus fault. |
| 3         | GPIOD    | R/W  | 0     | Port D Clock Gating Control<br>This bit controls the clock gating for Port D. If set, the unit receives a clock and functions. Otherwise, the unit is unlocked and disabled. If the unit is unlocked, reads or writes to the unit will generate a bus fault. |
| 2         | GPIOC    | R/W  | 0     | Port C Clock Gating Control<br>This bit controls the clock gating for Port C. If set, the unit receives a clock and functions. Otherwise, the unit is unlocked and disabled. If the unit is unlocked, reads or writes to the unit will generate a bus fault. |
| 1         | GPIOB    | R/W  | 0     | Port B Clock Gating Control<br>This bit controls the clock gating for Port B. If set, the unit receives a clock and functions. Otherwise, the unit is unlocked and disabled. If the unit is unlocked, reads or writes to the unit will generate a bus fault. |
| 0         | GPIOA    | R/W  | 0     | Port A Clock Gating Control<br>This bit controls the clock gating for Port A. If set, the unit receives a clock and functions. Otherwise, the unit is unlocked and disabled. If the unit is unlocked, reads or writes to the unit will generate a bus fault. |

## Register 26: Sleep Mode Clock Gating Control Register 2 (SCGC2), offset 0x118

This register controls the clock gating logic. Each bit controls a clock enable for a given interface, function, or unit. If set, the unit receives a clock and functions. Otherwise, the unit is unlocked and disabled (saving power). If the unit is unlocked, reads or writes to the unit will generate a bus fault. The reset state of these bits is 0 (unlocked) unless otherwise noted, so that all functional units are disabled. It is the responsibility of software to enable the ports necessary for the application. Note that these registers may contain more bits than there are interfaces, functions, or units to control. This is to assure reasonable code compatibility with other family and future parts. **RCGC2** is the clock configuration register for running operation, **SCGC2** for Sleep operation, and **DCGC2** for Deep-Sleep operation. Setting the **ACG** bit in the **Run-Mode Clock Configuration (RCC)** register specifies that the system uses sleep modes.

### Sleep Mode Clock Gating Control Register 2 (SCGC2)

Base 0x400F.E000  
Offset 0x118  
Type R/W, reset 0x00000000

|       |          |    |    |    |    |    |    |    |    |    |    |    |       |       |       |       |       |
|-------|----------|----|----|----|----|----|----|----|----|----|----|----|-------|-------|-------|-------|-------|
|       | 31       | 30 | 29 | 28 | 27 | 26 | 25 | 24 | 23 | 22 | 21 | 20 | 19    | 18    | 17    | 16    |       |
|       | reserved |    |    |    |    |    |    |    |    |    |    |    |       |       |       |       |       |
| Type  | RO       | RO | RO | RO | RO | RO | RO | RO | RO | RO | RO | RO | RO    | RO    | RO    | RO    |       |
| Reset | 0        | 0  | 0  | 0  | 0  | 0  | 0  | 0  | 0  | 0  | 0  | 0  | 0     | 0     | 0     | 0     |       |
|       | 15       | 14 | 13 | 12 | 11 | 10 | 9  | 8  | 7  | 6  | 5  | 4  | 3     | 2     | 1     | 0     |       |
|       | reserved |    |    |    |    |    |    |    |    |    |    |    | GPIOE | GPIOD | GPIOC | GPIOB | GPIOA |
| Type  | RO       | RO | RO | RO | RO | RO | RO | RO | RO | RO | RO | RO | R/W   | R/W   | R/W   | R/W   | R/W   |
| Reset | 0        | 0  | 0  | 0  | 0  | 0  | 0  | 0  | 0  | 0  | 0  | 0  | 0     | 0     | 0     | 0     | 0     |

| Bit/Field | Name     | Type | Reset | Description  |
|-----------|----------|------|-------|--|
| 31:5      | reserved | RO   | 0     | Software should not rely on the value of a reserved bit. To provide compatibility with future products, the value of a reserved bit should be preserved across a read-modify-write operation.  |
| 4         | GPIOE    | R/W  | 0     | Port E Clock Gating Control<br>This bit controls the clock gating for Port E. If set, the unit receives a clock and functions. Otherwise, the unit is unlocked and disabled. If the unit is unlocked, reads or writes to the unit will generate a bus fault. |
| 3         | GPIOD    | R/W  | 0     | Port D Clock Gating Control<br>This bit controls the clock gating for Port D. If set, the unit receives a clock and functions. Otherwise, the unit is unlocked and disabled. If the unit is unlocked, reads or writes to the unit will generate a bus fault. |
| 2         | GPIOC    | R/W  | 0     | Port C Clock Gating Control<br>This bit controls the clock gating for Port C. If set, the unit receives a clock and functions. Otherwise, the unit is unlocked and disabled. If the unit is unlocked, reads or writes to the unit will generate a bus fault. |
| 1         | GPIOB    | R/W  | 0     | Port B Clock Gating Control<br>This bit controls the clock gating for Port B. If set, the unit receives a clock and functions. Otherwise, the unit is unlocked and disabled. If the unit is unlocked, reads or writes to the unit will generate a bus fault. |

| Bit/Field | Name  | Type | Reset | Description  |
|-----------|-------|------|-------|--|
| 0         | GPIOA | R/W  | 0     | Port A Clock Gating Control<br>This bit controls the clock gating for Port A. If set, the unit receives a clock and functions. Otherwise, the unit is unlocked and disabled. If the unit is unlocked, reads or writes to the unit will generate a bus fault. |

## Register 27: Deep Sleep Mode Clock Gating Control Register 2 (DCGC2), offset 0x128

This register controls the clock gating logic. Each bit controls a clock enable for a given interface, function, or unit. If set, the unit receives a clock and functions. Otherwise, the unit is unlocked and disabled (saving power). If the unit is unlocked, reads or writes to the unit will generate a bus fault. The reset state of these bits is 0 (unlocked) unless otherwise noted, so that all functional units are disabled. It is the responsibility of software to enable the ports necessary for the application. Note that these registers may contain more bits than there are interfaces, functions, or units to control. This is to assure reasonable code compatibility with other family and future parts. **RCGC2** is the clock configuration register for running operation, **SCGC2** for Sleep operation, and **DCGC2** for Deep-Sleep operation. Setting the **ACG** bit in the **Run-Mode Clock Configuration (RCC)** register specifies that the system uses sleep modes.

### Deep Sleep Mode Clock Gating Control Register 2 (DCGC2)

Base 0x400F.E000  
Offset 0x128  
Type R/W, reset 0x00000000

|       |          |    |    |    |    |    |    |    |    |    |    |    |       |       |       |       |       |
|-------|----------|----|----|----|----|----|----|----|----|----|----|----|-------|-------|-------|-------|-------|
|       | 31       | 30 | 29 | 28 | 27 | 26 | 25 | 24 | 23 | 22 | 21 | 20 | 19    | 18    | 17    | 16    |       |
|       | reserved |    |    |    |    |    |    |    |    |    |    |    |       |       |       |       |       |
| Type  | RO       | RO | RO | RO | RO | RO | RO | RO | RO | RO | RO | RO | RO    | RO    | RO    | RO    |       |
| Reset | 0        | 0  | 0  | 0  | 0  | 0  | 0  | 0  | 0  | 0  | 0  | 0  | 0     | 0     | 0     | 0     |       |
|       | 15       | 14 | 13 | 12 | 11 | 10 | 9  | 8  | 7  | 6  | 5  | 4  | 3     | 2     | 1     | 0     |       |
|       | reserved |    |    |    |    |    |    |    |    |    |    |    | GPIOE | GPIOD | GPIOC | GPIOB | GPIOA |
| Type  | RO       | RO | RO | RO | RO | RO | RO | RO | RO | RO | RO | RO | R/W   | R/W   | R/W   | R/W   | R/W   |
| Reset | 0        | 0  | 0  | 0  | 0  | 0  | 0  | 0  | 0  | 0  | 0  | 0  | 0     | 0     | 0     | 0     | 0     |

| Bit/Field | Name     | Type | Reset | Description  |
|-----------|----------|------|-------|--|
| 31:5      | reserved | RO   | 0     | Software should not rely on the value of a reserved bit. To provide compatibility with future products, the value of a reserved bit should be preserved across a read-modify-write operation.  |
| 4         | GPIOE    | R/W  | 0     | Port E Clock Gating Control<br>This bit controls the clock gating for Port E. If set, the unit receives a clock and functions. Otherwise, the unit is unlocked and disabled. If the unit is unlocked, reads or writes to the unit will generate a bus fault. |
| 3         | GPIOD    | R/W  | 0     | Port D Clock Gating Control<br>This bit controls the clock gating for Port D. If set, the unit receives a clock and functions. Otherwise, the unit is unlocked and disabled. If the unit is unlocked, reads or writes to the unit will generate a bus fault. |
| 2         | GPIOC    | R/W  | 0     | Port C Clock Gating Control<br>This bit controls the clock gating for Port C. If set, the unit receives a clock and functions. Otherwise, the unit is unlocked and disabled. If the unit is unlocked, reads or writes to the unit will generate a bus fault. |
| 1         | GPIOB    | R/W  | 0     | Port B Clock Gating Control<br>This bit controls the clock gating for Port B. If set, the unit receives a clock and functions. Otherwise, the unit is unlocked and disabled. If the unit is unlocked, reads or writes to the unit will generate a bus fault. |

| Bit/Field | Name  | Type | Reset | Description  |
|-----------|-------|------|-------|--|
| 0         | GPIOA | R/W  | 0     | Port A Clock Gating Control<br>This bit controls the clock gating for Port A. If set, the unit receives a clock and functions. Otherwise, the unit is unlocked and disabled. If the unit is unlocked, reads or writes to the unit will generate a bus fault. |

**Register 28: Software Reset Control 0 (SRCR0), offset 0x040**Writes to this register are masked by the bits in the **Device Capabilities 1 (DC1)** register.

## Software Reset Control 0 (SRCR0)

Base 0x400F.E000

Offset 0x040

Type R/W, reset 0x00000000

|       |          |    |    |    |    |    |    |    |    |    |    |     |          |    |    |    |
|-------|----------|----|----|----|----|----|----|----|----|----|----|-----|----------|----|----|----|
|       | 31       | 30 | 29 | 28 | 27 | 26 | 25 | 24 | 23 | 22 | 21 | 20  | 19       | 18 | 17 | 16 |
|       | reserved |    |    |    |    |    |    |    |    |    |    | PWM | reserved |    |    |    |
| Type  | RO       | RO | RO | RO | RO | RO | RO | RO | RO | RO | RO | R/W | RO       | RO | RO | RO |
| Reset | 0        | 0  | 0  | 0  | 0  | 0  | 0  | 0  | 0  | 0  | 0  | 0   | 0        | 0  | 0  | 0  |
|       | 15       | 14 | 13 | 12 | 11 | 10 | 9  | 8  | 7  | 6  | 5  | 4   | 3        | 2  | 1  | 0  |
|       | reserved |    |    |    |    |    |    |    |    |    |    | WDT | reserved |    |    |    |
| Type  | RO       | RO | RO | RO | RO | RO | RO | RO | RO | RO | RO | RO  | R/W      | RO | RO | RO |
| Reset | 0        | 0  | 0  | 0  | 0  | 0  | 0  | 0  | 0  | 0  | 0  | 0   | 0        | 0  | 0  | 0  |

| Bit/Field | Name     | Type | Reset | Description   |
|-----------|----------|------|-------|---|
| 31:21     | reserved | RO   | 0     | Software should not rely on the value of a reserved bit. To provide compatibility with future products, the value of a reserved bit should be preserved across a read-modify-write operation. |
| 20        | PWM      | R/W  | 0     | PWM Reset Control<br>Reset control for PWM module.  |
| 19:4      | reserved | RO   | 0     | Software should not rely on the value of a reserved bit. To provide compatibility with future products, the value of a reserved bit should be preserved across a read-modify-write operation. |
| 3         | WDT      | R/W  | 0     | WDT Reset Control<br>Reset control for Watchdog unit.   |
| 2:0       | reserved | RO   | 0     | Software should not rely on the value of a reserved bit. To provide compatibility with future products, the value of a reserved bit should be preserved across a read-modify-write operation. |

**Register 29: Software Reset Control 1 (SRCR1), offset 0x044**Writes to this register are masked by the bits in the **Device Capabilities 2 (DC2)** register.

## Software Reset Control 1 (SRCR1)

Base 0x400F.E000

Offset 0x044

Type R/W, reset 0x00000000

|       |          |    |    |    |    |       |       |       |          |    |    |      |          |        |        |        |     |
|-------|----------|----|----|----|----|-------|-------|-------|----------|----|----|------|----------|--------|--------|--------|-----|
|       | 31       | 30 | 29 | 28 | 27 | 26    | 25    | 24    | 23       | 22 | 21 | 20   | 19       | 18     | 17     | 16     |     |
|       | reserved |    |    |    |    | COMP2 | COMP1 | COMP0 | reserved |    |    |      |          | TIMER2 | TIMER1 | TIMER0 |     |
| Type  | RO       | RO | RO | RO | RO | R/W   | R/W   | R/W   | RO       | RO | RO | RO   | RO       | R/W    | R/W    | R/W    |     |
| Reset | 0        | 0  | 0  | 0  | 0  | 0     | 0     | 0     | 0        | 0  | 0  | 0    | 0        | 0      | 0      | 0      |     |
|       | 15       | 14 | 13 | 12 | 11 | 10    | 9     | 8     | 7        | 6  | 5  | 4    | 3        | 2      | 1      | 0      |     |
|       | reserved |    |    |    |    |       |       |       |          |    |    | SSI0 | reserved |        | UART1  | UART0  |     |
| Type  | RO       | RO | RO | RO | RO | RO    | RO    | RO    | RO       | RO | RO | RO   | R/W      | RO     | RO     | R/W    | R/W |
| Reset | 0        | 0  | 0  | 0  | 0  | 0     | 0     | 0     | 0        | 0  | 0  | 0    | 0        | 0      | 0      | 0      | 0   |

| Bit/Field | Name     | Type | Reset | Description   |
|-----------|----------|------|-------|---|
| 31:27     | reserved | RO   | 0     | Software should not rely on the value of a reserved bit. To provide compatibility with future products, the value of a reserved bit should be preserved across a read-modify-write operation. |
| 26        | COMP2    | R/W  | 0     | Analog Comp 2 Reset Control<br>Reset control for analog comparator 2.   |
| 25        | COMP1    | R/W  | 0     | Analog Comp 1 Reset Control<br>Reset control for analog comparator 1.   |
| 24        | COMP0    | R/W  | 0     | Analog Comp 0 Reset Control<br>Reset control for analog comparator 0.   |
| 23:19     | reserved | RO   | 0     | Software should not rely on the value of a reserved bit. To provide compatibility with future products, the value of a reserved bit should be preserved across a read-modify-write operation. |
| 18        | TIMER2   | R/W  | 0     | Timer 2 Reset Control<br>Reset control for General-Purpose Timer module 2.  |
| 17        | TIMER1   | R/W  | 0     | Timer 1 Reset Control<br>Reset control for General-Purpose Timer module 1.  |
| 16        | TIMER0   | R/W  | 0     | Timer 0 Reset Control<br>Reset control for General-Purpose Timer module 0.  |
| 15:5      | reserved | RO   | 0     | Software should not rely on the value of a reserved bit. To provide compatibility with future products, the value of a reserved bit should be preserved across a read-modify-write operation. |
| 4         | SSI0     | R/W  | 0     | SSI0 Reset Control<br>Reset control for SSI unit 0.   |
| 3:2       | reserved | RO   | 0     | Software should not rely on the value of a reserved bit. To provide compatibility with future products, the value of a reserved bit should be preserved across a read-modify-write operation. |

| Bit/Field | Name  | Type | Reset | Description   |
|-----------|-------|------|-------|---|
| 1         | UART1 | R/W  | 0     | UART1 Reset Control<br>Reset control for UART unit 1. |
| 0         | UART0 | R/W  | 0     | UART0 Reset Control<br>Reset control for UART unit 0. |

### Register 30: Software Reset Control 2 (SRCR2), offset 0x048

Writes to this register are masked by the bits in the **Device Capabilities 4 (DC4)** register.

#### Software Reset Control 2 (SRCR2)

Base 0x400F.E000  
 Offset 0x048  
 Type R/W, reset 0x00000000

|       |          |    |    |    |    |    |    |    |    |    |    |     |       |       |       |       |       |
|-------|----------|----|----|----|----|----|----|----|----|----|----|-----|-------|-------|-------|-------|-------|
|       | 31       | 30 | 29 | 28 | 27 | 26 | 25 | 24 | 23 | 22 | 21 | 20  | 19    | 18    | 17    | 16    |       |
|       | reserved |    |    |    |    |    |    |    |    |    |    |     |       |       |       |       |       |
| Type  | RO       | RO | RO | RO | RO | RO | RO | RO | RO | RO | RO | RO  | RO    | RO    | RO    | RO    |       |
| Reset | 0        | 0  | 0  | 0  | 0  | 0  | 0  | 0  | 0  | 0  | 0  | 0   | 0     | 0     | 0     | 0     |       |
|       | 15       | 14 | 13 | 12 | 11 | 10 | 9  | 8  | 7  | 6  | 5  | 4   | 3     | 2     | 1     | 0     |       |
|       | reserved |    |    |    |    |    |    |    |    |    |    |     | GPIOE | GIPOD | GPIOC | GPIOB | GPIOA |
| Type  | RO       | RO | RO | RO | RO | RO | RO | RO | RO | RO | RO | R/W | R/W   | R/W   | R/W   | R/W   |       |
| Reset | 0        | 0  | 0  | 0  | 0  | 0  | 0  | 0  | 0  | 0  | 0  | 0   | 0     | 0     | 0     | 0     |       |

| Bit/Field | Name     | Type | Reset | Description   |
|-----------|----------|------|-------|---|
| 31:5      | reserved | RO   | 0     | Software should not rely on the value of a reserved bit. To provide compatibility with future products, the value of a reserved bit should be preserved across a read-modify-write operation. |
| 4         | GPIOE    | R/W  | 0     | Port E Reset Control<br>Reset control for GPIO Port E.  |
| 3         | GIPOD    | R/W  | 0     | Port D Reset Control<br>Reset control for GPIO Port D.  |
| 2         | GPIOC    | R/W  | 0     | Port C Reset Control<br>Reset control for GPIO Port C.  |
| 1         | GPIOB    | R/W  | 0     | Port B Reset Control<br>Reset control for GPIO Port B.  |
| 0         | GPIOA    | R/W  | 0     | Port A Reset Control<br>Reset control for GPIO Port A.  |

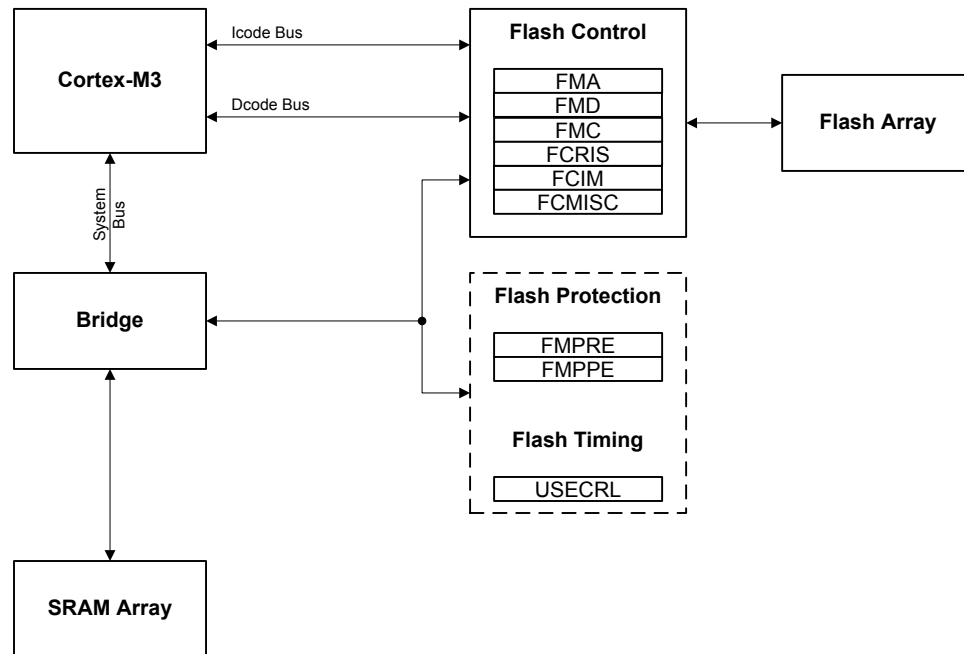
## 6 Internal Memory

The LM3S310 microcontroller comes with 4 KB of bit-banded SRAM and 16 KB of flash memory. The flash controller provides a user-friendly interface, making flash programming a simple task. Flash protection can be applied to the flash memory on a 2-KB block basis.

### 6.1 Block Diagram

Figure 6-1 on page 207 illustrates the Flash functions. The dashed boxes in the figure indicate registers residing in the System Control module rather than the Flash Control module.

Figure 6-1. Flash Block Diagram



### 6.2 Functional Description

This section describes the functionality of the SRAM and Flash memories.

#### 6.2.1 SRAM Memory

The internal SRAM of the Stellaris® devices is located at address 0x2000.0000 of the device memory map. To reduce the number of time consuming read-modify-write (RMW) operations, ARM has introduced *bit-banding* technology in the Cortex-M3 processor. With a bit-band-enabled processor, certain regions in the memory map (SRAM and peripheral space) can use address aliases to access individual bits in a single, atomic operation.

The bit-band alias is calculated by using the formula:

$$\text{bit-band alias} = \text{bit-band base} + (\text{byte offset} * 32) + (\text{bit number} * 4)$$

For example, if bit 3 at address 0x2000.1000 is to be modified, the bit-band alias is calculated as:

$$0x2200.0000 + (0x1000 * 32) + (3 * 4) = 0x2202.000C$$

With the alias address calculated, an instruction performing a read/write to address 0x2202.000C allows direct access to only bit 3 of the byte at address 0x2000.1000.

For details about bit-banding, see “Bit-Banding” on page 63.

## 6.2.2 Flash Memory

The flash is organized as a set of 1-KB blocks that can be individually erased. Erasing a block causes the entire contents of the block to be reset to all 1s. An individual 32-bit word can be programmed to change bits that are currently 1 to a 0. These blocks are paired into a set of 2-KB blocks that can be individually protected. The protection allows blocks to be marked as read-only or execute-only, providing different levels of code protection. Read-only blocks cannot be erased or programmed, protecting the contents of those blocks from being modified. Execute-only blocks cannot be erased or programmed, and can only be read by the controller instruction fetch mechanism, protecting the contents of those blocks from being read by either the controller or by a debugger.

See also “Serial Flash Loader” on page 479 for a preprogrammed flash-resident utility used to download code to the flash memory of a device without the use of a debug interface.

### 6.2.2.1 Flash Memory Timing

The timing for the flash is automatically handled by the flash controller. However, in order to do so, it must know the clock rate of the system in order to time its internal signals properly. The number of clock cycles per microsecond must be provided to the flash controller for it to accomplish this timing. It is software's responsibility to keep the flash controller updated with this information via the **USEC Reload (USECRL)** register.

On reset, the **USECRL** register is loaded with a value that configures the flash timing so that it works with the maximum clock rate of the part. If software changes the system operating frequency, the new operating frequency minus 1 (in MHz) must be loaded into **USECRL** before any flash modifications are attempted. For example, if the device is operating at a speed of 20 MHz, a value of 0x13 (20-1) must be written to the **USECRL** register.

### 6.2.2.2 Flash Memory Protection

The user is provided two forms of flash protection per 2-KB flash blocks in two 32-bit wide registers. The protection policy for each form is controlled by individual bits (per policy per block) in the **FMPPEn** and **FMPREn** registers.

- **Flash Memory Protection Program Enable (FMPPEn)**: If set, the block may be programmed (written) or erased. If cleared, the block may not be changed.
- **Flash Memory Protection Read Enable (FMPREn)**: If a bit is set, the corresponding block may be executed or read by software or debuggers. If a bit is cleared, the corresponding block may only be executed, and contents of the memory block are prohibited from being read as data.

The policies may be combined as shown in Table 6-1 on page 208.

**Table 6-1. Flash Protection Policy Combinations**

| FMPPEn | FMPREn | Protection   |
|--------|--------|--|
| 0      | 0      | Execute-only protection. The block may only be executed and may not be written or erased. This mode is used to protect code. |

**Table 6-1. Flash Protection Policy Combinations (continued)**

| FMPPEn | FMPREn | Protection   |
|--------|--------|--|
| 1      | 0      | The block may be written, erased or executed, but not read. This combination is unlikely to be used.   |
| 0      | 1      | Read-only protection. The block may be read or executed but may not be written or erased. This mode is used to lock the block from further modification while allowing any read or execute access. |
| 1      | 1      | No protection. The block may be written, erased, executed or read.   |

A Flash memory access that attempts to read a read-protected block (**FMPREn** bit is set) is prohibited and generates a bus fault. A Flash memory access that attempts to program or erase a program-protected block (**FMPPEn** bit is set) is prohibited and can optionally generate an interrupt (by setting the **AMASK** bit in the **Flash Controller Interrupt Mask (FCIM)** register) to alert software developers of poorly behaving software during the development and debug phases.

The factory settings for the **FMPREn** and **FMPPEn** registers are a value of 1 for all implemented banks. These settings create a policy of open access and programmability. The register bits may be changed by clearing the specific register bit. The changes are not permanent until the register is committed (saved), at which point the bit change is permanent. If a bit is changed from a 1 to a 0 and not committed, it may be restored by executing a power-on reset sequence. The changes are committed using the **Flash Memory Control (FMC)** register.

### 6.2.2.3 Interrupts

The Flash memory controller can generate interrupts when the following conditions are observed:

- Programming Interrupt - signals when a program or erase action is complete.
- Access Interrupt - signals when a program or erase action has been attempted on a 2-kB block of memory that is protected by its corresponding **FMPPEn** bit.

The interrupt events that can trigger a controller-level interrupt are defined in the **Flash Controller Masked Interrupt Status (FCMIS)** register (see page 218) by setting the corresponding **MASK** bits. If interrupts are not used, the raw interrupt status is always visible via the **Flash Controller Raw Interrupt Status (FCRIS)** register (see page 217).

Interrupts are always cleared (for both the **FCMIS** and **FCRIS** registers) by writing a 1 to the corresponding bit in the **Flash Controller Masked Interrupt Status and Clear (FCMISC)** register (see page 219).

### 6.2.2.4 Flash Memory Protection by Disabling Debug Access

Flash memory may also be protected by permanently disabling access to the Debug Access Port (DAP) through the JTAG and SWD interfaces. Access is disabled by clearing the **DBG** field of the **FMPRE** register.

If the **DBG** field in the **Flash Memory Protection Read Enable (FMPRE)** register is programmed to 0x2, access to the DAP is enabled through the JTAG and SWD interfaces. If clear, access to the DAP is disabled. The **DBG** field programming becomes permanent and irreversible after a commit sequence is performed.

In the initial state provided from the factory, access is enabled in order to facilitate code development and debug. Access to the DAP may be disabled at the end of the manufacturing flow, once all tests have passed and software has been loaded. This change does not take effect until the next power-up

of the device. Note that it is recommended that disabling access to the DAP be combined with a mechanism for providing end-user installable updates (if necessary) such as the Stellaris boot loader.

---

**Important:** Once the `DBG` field is cleared and committed, this field can never be restored to the factory-programmed value—which means the JTAG/SWD interface to the debug module can never be re-enabled. This sequence does NOT disable the JTAG controller, it only disables the access of the DAP through the JTAG or SWD interfaces. The JTAG interface remains functional and access to the Test Access Port remains enabled, allowing the user to execute the IEEE JTAG-defined instructions (for example, to perform boundary scan operations).

---

When using the **FMPRE** bits to protect Flash memory from being read as data (to mark sets of 2-KB blocks of Flash memory as execute-only), these one-time-programmable bits should be written at the same time that the debug disable bits are programmed. Mechanisms to execute the one-time code sequence to disable all debug access include:

- Selecting the debug disable option in the Stellaris boot loader
- Loading the debug disable sequence into SRAM and running it once from SRAM after programming the final end application code into Flash memory

## 6.3 Flash Memory Initialization and Configuration

This section shows examples for using the flash controller to perform various operations on the contents of the flash memory.

### 6.3.1 Changing Flash Protection Bits

As discussed in “Flash Memory Protection” on page 208, changes to the protection bits must be committed before they take effect. The sequence below is used change and commit a block protection bit in the **FMPRE** or **FMPPE** registers. The sequence to change and commit a bit in software is as follows:

1. The **Flash Memory Protection Read Enable (FMPRE)** and **Flash Memory Protection Program Enable (FMPPE)** registers are written, changing the intended bit(s). The action of these changes can be tested by software while in this state.
2. The **Flash Memory Address (FMA)** register (see page 213) bit 0 is set to 1 if the **FMPPE** register is to be committed; otherwise, a 0 commits the **FMPRE** register.
3. The **Flash Memory Control (FMC)** register (see page 215) is written with the `COMT` bit set. This initiates a write sequence and commits the changes.

There is a special sequence to change and commit the `DBG` bits in the **Flash Memory Protection Read Enable (FMPRE)** register. This sequence also sets and commits any changes from 1 to 0 in the block protection bits (for execute-only) in the **FMPRE** register.

1. The **Flash Memory Protection Read Enable (FMPRE)** register is written, changing the intended bit(s). The action of these changes can be tested by software while in this state.
2. The **Flash Memory Address (FMA)** register (see page 213) is written with a value of 0x900.
3. The **Flash Memory Control (FMC)** register (see page 215) is written with the `COMT` bit set. This initiates a write sequence and commits the changes.

Below is an example code sequence to permanently disable the JTAG and SWD interface to the debug module using DriverLib:

```
#include "hw_types.h"
#include "hw_flash.h"
void
permanently_disable_jtag_swd(void)
{
    //
    // Clear the DBG field of the FMPRE register. Note that the value
    // used in this instance does not affect the state of the BlockN
    // bits, but were the value different, all bits in the FMPRE are
    // affected by this function!
    //
    HWREG(FLASH_FMPRE) &= 0x3fffffff;
    //
    // The following sequence activates the one-time
    // programming of the FMPRE register.
    //
    HWREG(FLASH_FMA) = 0x900;
    HWREG(FLASH_FMC) = (FLASH_FMC_WRKEY | FLASH_FMC_COMT);
    //
    // Wait until the operation is complete.
    //
    while (HWREG(FLASH_FMC) & FLASH_FMC_COMT)
    {
    }
}
```

### 6.3.2 Flash Programming

The Stellaris devices provide a user-friendly interface for flash programming. All erase/program operations are handled via three registers: **FMA**, **FMD**, and **FMC**.

During a Flash memory operation (write, page erase, or mass erase) access to the Flash memory is inhibited. As a result, instruction and literal fetches are held off until the Flash memory operation is complete. If instruction execution is required during a Flash memory operation, the code that is executing must be placed in SRAM and executed from there while the flash operation is in progress.

#### 6.3.2.1 To program a 32-bit word

1. Write source data to the **FMD** register.
2. Write the target address to the **FMA** register.
3. Write the flash write key and the **WRITE** bit (a value of 0xA442.0001) to the **FMC** register.
4. Poll the **FMC** register until the **WRITE** bit is cleared.

#### 6.3.2.2 To perform an erase of a 1-KB page

1. Write the page address to the **FMA** register.
2. Write the flash write key and the **ERASE** bit (a value of 0xA442.0002) to the **FMC** register.

3. Poll the **FMC** register until the `ERASE` bit is cleared.

### 6.3.2.3 To perform a mass erase of the flash

1. Write the flash write key and the `MERASE` bit (a value of `0xA442.0004`) to the **FMC** register.
2. Poll the **FMC** register until the `MERASE` bit is cleared.

## 6.4 Register Map

Table 6-2 on page 212 lists the Flash memory and control registers. The offset listed is a hexadecimal increment to the register's address. The **FMA**, **FMD**, **FMC**, **FCRIS**, **FCIM**, and **FCMISC** register offsets are relative to the Flash memory control base address of `0x400F.D000`. The Flash memory protection register offsets are relative to the System Control base address of `0x400F.E000`.

**Table 6-2. Flash Register Map**

| Offset   | Name   | Type  | Reset       | Description  | See page |
|--|--------|-------|-------------|--|----------|
| <b>Flash Memory Control Registers (Flash Control Offset)</b>     |        |       |             |  |          |
| 0x000  | FMA    | R/W   | 0x0000.0000 | Flash Memory Address                               | 213      |
| 0x004  | FMD    | R/W   | 0x0000.0000 | Flash Memory Data                                  | 214      |
| 0x008  | FMC    | R/W   | 0x0000.0000 | Flash Memory Control                               | 215      |
| 0x00C  | FCRIS  | RO    | 0x0000.0000 | Flash Controller Raw Interrupt Status              | 217      |
| 0x010  | FCIM   | R/W   | 0x0000.0000 | Flash Controller Interrupt Mask                    | 218      |
| 0x014  | FCMISC | R/W1C | 0x0000.0000 | Flash Controller Masked Interrupt Status and Clear | 219      |
| <b>Flash Memory Protection Registers (System Control Offset)</b> |        |       |             |  |          |
| 0x130  | FMPRE  | R/W   | 0x8000.00FF | Flash Memory Protection Read Enable                | 222      |
| 0x134  | FMPPE  | R/W   | 0x0000.00FF | Flash Memory Protection Program Enable             | 223      |
| 0x140  | USECRL | R/W   | 0x18        | USec Reload  | 221      |

## 6.5 Flash Register Descriptions (Flash Control Offset)

This section lists and describes the Flash Memory registers, in numerical order by address offset. Registers in this section are relative to the Flash control base address of `0x400F.D000`.

## Register 1: Flash Memory Address (FMA), offset 0x000

During a write operation, this register contains a 4-byte-aligned address and specifies where the data is written. During erase operations, this register contains a 1 KB-aligned address and specifies which page is erased. Note that the alignment requirements must be met by software or the results of the operation are unpredictable.

### Flash Memory Address (FMA)

Base 0x400F.D000

Offset 0x000

Type R/W, reset 0x0000.0000

|       |          |    |        |     |     |     |     |     |     |     |     |     |     |     |     |     |
|-------|----------|----|--------|-----|-----|-----|-----|-----|-----|-----|-----|-----|-----|-----|-----|-----|
|       | 31       | 30 | 29     | 28  | 27  | 26  | 25  | 24  | 23  | 22  | 21  | 20  | 19  | 18  | 17  | 16  |
|       | reserved |    |        |     |     |     |     |     |     |     |     |     |     |     |     |     |
| Type  | RO       | RO | RO     | RO  | RO  | RO  | RO  | RO  | RO  | RO  | RO  | RO  | RO  | RO  | RO  | RO  |
| Reset | 0        | 0  | 0      | 0   | 0   | 0   | 0   | 0   | 0   | 0   | 0   | 0   | 0   | 0   | 0   | 0   |
|       | 15       | 14 | 13     | 12  | 11  | 10  | 9   | 8   | 7   | 6   | 5   | 4   | 3   | 2   | 1   | 0   |
|       | reserved |    | OFFSET |     |     |     |     |     |     |     |     |     |     |     |     |     |
| Type  | RO       | RO | R/W    | R/W | R/W | R/W | R/W | R/W | R/W | R/W | R/W | R/W | R/W | R/W | R/W | R/W |
| Reset | 0        | 0  | 0      | 0   | 0   | 0   | 0   | 0   | 0   | 0   | 0   | 0   | 0   | 0   | 0   | 0   |

| Bit/Field | Name     | Type | Reset | Description   |
|-----------|----------|------|-------|---|
| 31:14     | reserved | RO   | 0x0   | Software should not rely on the value of a reserved bit. To provide compatibility with future products, the value of a reserved bit should be preserved across a read-modify-write operation. |
| 13:0      | OFFSET   | R/W  | 0x0   | Address Offset<br>Address offset in flash where operation is performed.   |

## Register 2: Flash Memory Data (FMD), offset 0x004

This register contains the data to be written during the programming cycle or read during the read cycle. Note that the contents of this register are undefined for a read access of an execute-only block. This register is not used during the erase cycles.

### Flash Memory Data (FMD)

Base 0x400F.D000

Offset 0x004

Type R/W, reset 0x0000.0000

|       |      |     |     |     |     |     |     |     |     |     |     |     |     |     |     |     |
|-------|------|-----|-----|-----|-----|-----|-----|-----|-----|-----|-----|-----|-----|-----|-----|-----|
|       | 31   | 30  | 29  | 28  | 27  | 26  | 25  | 24  | 23  | 22  | 21  | 20  | 19  | 18  | 17  | 16  |
|       | DATA |     |     |     |     |     |     |     |     |     |     |     |     |     |     |     |
| Type  | R/W  | R/W | R/W | R/W | R/W | R/W | R/W | R/W | R/W | R/W | R/W | R/W | R/W | R/W | R/W | R/W |
| Reset | 0    | 0   | 0   | 0   | 0   | 0   | 0   | 0   | 0   | 0   | 0   | 0   | 0   | 0   | 0   | 0   |
|       | 15   | 14  | 13  | 12  | 11  | 10  | 9   | 8   | 7   | 6   | 5   | 4   | 3   | 2   | 1   | 0   |
|       | DATA |     |     |     |     |     |     |     |     |     |     |     |     |     |     |     |
| Type  | R/W  | R/W | R/W | R/W | R/W | R/W | R/W | R/W | R/W | R/W | R/W | R/W | R/W | R/W | R/W | R/W |
| Reset | 0    | 0   | 0   | 0   | 0   | 0   | 0   | 0   | 0   | 0   | 0   | 0   | 0   | 0   | 0   | 0   |

| Bit/Field | Name | Type | Reset | Description                                   |
|-----------|------|------|-------|---|
| 31:0      | DATA | R/W  | 0x0   | Data Value<br>Data value for write operation. |

### Register 3: Flash Memory Control (FMC), offset 0x008

When this register is written, the flash controller initiates the appropriate access cycle for the location specified by the **Flash Memory Address (FMA)** register (see page 213). If the access is a write access, the data contained in the **Flash Memory Data (FMD)** register (see page 214) is written.

This is the final register written and initiates the memory operation. There are four control bits in the lower byte of this register that, when set, initiate the memory operation. The most used of these register bits are the `ERASE` and `WRITE` bits.

It is a programming error to write multiple control bits and the results of such an operation are unpredictable.

#### Flash Memory Control (FMC)

Base 0x400F.D000  
Offset 0x008  
Type R/W, reset 0x0000.0000

|       |          |    |    |    |    |    |    |    |    |    |    |    |      |        |       |       |     |
|-------|----------|----|----|----|----|----|----|----|----|----|----|----|------|--------|-------|-------|-----|
|       | 31       | 30 | 29 | 28 | 27 | 26 | 25 | 24 | 23 | 22 | 21 | 20 | 19   | 18     | 17    | 16    |     |
|       | WRKEY    |    |    |    |    |    |    |    |    |    |    |    |      |        |       |       |     |
| Type  | WO       | WO | WO | WO | WO | WO | WO | WO | WO | WO | WO | WO | WO   | WO     | WO    | WO    |     |
| Reset | 0        | 0  | 0  | 0  | 0  | 0  | 0  | 0  | 0  | 0  | 0  | 0  | 0    | 0      | 0     | 0     |     |
|       | 15       | 14 | 13 | 12 | 11 | 10 | 9  | 8  | 7  | 6  | 5  | 4  | 3    | 2      | 1     | 0     |     |
|       | reserved |    |    |    |    |    |    |    |    |    |    |    | COMT | MERASE | ERASE | WRITE |     |
| Type  | RO       | RO | RO | RO | RO | RO | RO | RO | RO | RO | RO | RO | RO   | R/W    | R/W   | R/W   | R/W |
| Reset | 0        | 0  | 0  | 0  | 0  | 0  | 0  | 0  | 0  | 0  | 0  | 0  | 0    | 0      | 0     | 0     | 0   |

| Bit/Field | Name     | Type | Reset | Description   |
|-----------|----------|------|-------|---|
| 31:16     | WRKEY    | WO   | 0x0   | Flash Write Key<br>This field contains a write key, which is used to minimize the incidence of accidental flash writes. The value 0xA442 must be written into this field for a write to occur. Writes to the <b>FMC</b> register without this <code>WRKEY</code> value are ignored. A read of this field returns the value 0.   |
| 15:4      | reserved | RO   | 0x0   | Software should not rely on the value of a reserved bit. To provide compatibility with future products, the value of a reserved bit should be preserved across a read-modify-write operation.   |
| 3         | COMT     | R/W  | 0     | Commit Register Value<br>Commit (write) of register value to nonvolatile storage. A write of 0 has no effect on the state of this bit.<br>If read, the state of the previous commit access is provided. If the previous commit access is complete, a 0 is returned; otherwise, if the commit access is not complete, a 1 is returned.<br>This can take up to 50 $\mu$ s.                                  |
| 2         | MERASE   | R/W  | 0     | Mass Erase Flash Memory<br>If this bit is set, the flash main memory of the device is all erased. A write of 0 has no effect on the state of this bit.<br>If read, the state of the previous mass erase access is provided. If the previous mass erase access is complete, a 0 is returned; otherwise, if the previous mass erase access is not complete, a 1 is returned.<br>This can take up to 250 ms. |

| Bit/Field | Name  | Type | Reset | Description   |
|-----------|-------|------|-------|---|
| 1         | ERASE | R/W  | 0     | <p>Erase a Page of Flash Memory</p> <p>If this bit is set, the page of flash main memory as specified by the contents of <b>FMA</b> is erased. A write of 0 has no effect on the state of this bit.</p> <p>If read, the state of the previous erase access is provided. If the previous erase access is complete, a 0 is returned; otherwise, if the previous erase access is not complete, a 1 is returned.</p> <p>This can take up to 25 ms.</p>                            |
| 0         | WRITE | R/W  | 0     | <p>Write a Word into Flash Memory</p> <p>If this bit is set, the data stored in <b>FMD</b> is written into the location as specified by the contents of <b>FMA</b>. A write of 0 has no effect on the state of this bit.</p> <p>If read, the state of the previous write update is provided. If the previous write access is complete, a 0 is returned; otherwise, if the write access is not complete, a 1 is returned.</p> <p>This can take up to 50 <math>\mu</math>s.</p> |

## Register 4: Flash Controller Raw Interrupt Status (FCRIS), offset 0x00C

This register indicates that the flash controller has an interrupt condition. An interrupt is only signaled if the corresponding **FCIM** register bit is set.

### Flash Controller Raw Interrupt Status (FCRIS)

Base 0x400F.D000

Offset 0x00C

Type RO, reset 0x0000.0000

|       |          |    |    |    |    |    |    |    |    |    |    |    |    |    |    |      |      |
|-------|----------|----|----|----|----|----|----|----|----|----|----|----|----|----|----|------|------|
|       | 31       | 30 | 29 | 28 | 27 | 26 | 25 | 24 | 23 | 22 | 21 | 20 | 19 | 18 | 17 | 16   |      |
|       | reserved |    |    |    |    |    |    |    |    |    |    |    |    |    |    |      |      |
| Type  | RO       | RO | RO | RO | RO | RO | RO | RO | RO | RO | RO | RO | RO | RO | RO | RO   |      |
| Reset | 0        | 0  | 0  | 0  | 0  | 0  | 0  | 0  | 0  | 0  | 0  | 0  | 0  | 0  | 0  | 0    |      |
|       | 15       | 14 | 13 | 12 | 11 | 10 | 9  | 8  | 7  | 6  | 5  | 4  | 3  | 2  | 1  | 0    |      |
|       | reserved |    |    |    |    |    |    |    |    |    |    |    |    |    |    | PRIS | ARIS |
| Type  | RO       | RO | RO | RO | RO | RO | RO | RO | RO | RO | RO | RO | RO | RO | RO | RO   | RO   |
| Reset | 0        | 0  | 0  | 0  | 0  | 0  | 0  | 0  | 0  | 0  | 0  | 0  | 0  | 0  | 0  | 0    | 0    |

| Bit/Field | Name  | Type | Reset | Description  |   |   |   |  |
|-----------|---|------|-------|--|---|---|---|--|
| 31:2      | reserved  | RO   | 0x0   | Software should not rely on the value of a reserved bit. To provide compatibility with future products, the value of a reserved bit should be preserved across a read-modify-write operation.  |   |   |   |  |
| 1         | PRIS  | RO   | 0     | <p>Programming Raw Interrupt Status</p> <p>This bit provides status on programming cycles which are write or erase actions generated through the <b>FMC</b> register bits (see page 215).</p> <p>Value Description</p> <table border="0"> <tr> <td>1</td> <td>The programming cycle has completed.</td> </tr> <tr> <td>0</td> <td>The programming cycle has not completed.</td> </tr> </table> <p>This status is sent to the interrupt controller when the <b>PMASK</b> bit in the <b>FCIM</b> register is set.</p> <p>This bit is cleared by writing a 1 to the <b>PMISC</b> bit in the <b>FCMISC</b> register.</p> | 1 | The programming cycle has completed.  | 0 | The programming cycle has not completed.                             |
| 1         | The programming cycle has completed.  |      |       |  |   |   |   |  |
| 0         | The programming cycle has not completed.  |      |       |  |   |   |   |  |
| 0         | ARIS  | RO   | 0     | <p>Access Raw Interrupt Status</p> <p>Value Description</p> <table border="0"> <tr> <td>1</td> <td>A program or erase action was attempted on a block of Flash memory that contradicts the protection policy for that block as set in the <b>FMPPEn</b> registers.</td> </tr> <tr> <td>0</td> <td>No access has tried to improperly program or erase the Flash memory.</td> </tr> </table> <p>This status is sent to the interrupt controller when the <b>AMASK</b> bit in the <b>FCIM</b> register is set.</p> <p>This bit is cleared by writing a 1 to the <b>AMISC</b> bit in the <b>FCMISC</b> register.</p>     | 1 | A program or erase action was attempted on a block of Flash memory that contradicts the protection policy for that block as set in the <b>FMPPEn</b> registers. | 0 | No access has tried to improperly program or erase the Flash memory. |
| 1         | A program or erase action was attempted on a block of Flash memory that contradicts the protection policy for that block as set in the <b>FMPPEn</b> registers. |      |       |  |   |   |   |  |
| 0         | No access has tried to improperly program or erase the Flash memory.  |      |       |  |   |   |   |  |

## Register 5: Flash Controller Interrupt Mask (FCIM), offset 0x010

This register controls whether the flash controller generates interrupts to the controller.

### Flash Controller Interrupt Mask (FCIM)

Base 0x400F.D000

Offset 0x010

Type R/W, reset 0x0000.0000

|       |          |    |    |    |    |    |    |    |    |    |    |    |    |    |       |       |     |
|-------|----------|----|----|----|----|----|----|----|----|----|----|----|----|----|-------|-------|-----|
|       | 31       | 30 | 29 | 28 | 27 | 26 | 25 | 24 | 23 | 22 | 21 | 20 | 19 | 18 | 17    | 16    |     |
|       | reserved |    |    |    |    |    |    |    |    |    |    |    |    |    |       |       |     |
| Type  | RO       | RO | RO | RO | RO | RO | RO | RO | RO | RO | RO | RO | RO | RO | RO    | RO    |     |
| Reset | 0        | 0  | 0  | 0  | 0  | 0  | 0  | 0  | 0  | 0  | 0  | 0  | 0  | 0  | 0     | 0     |     |
|       | 15       | 14 | 13 | 12 | 11 | 10 | 9  | 8  | 7  | 6  | 5  | 4  | 3  | 2  | 1     | 0     |     |
|       | reserved |    |    |    |    |    |    |    |    |    |    |    |    |    | PMASK | AMASK |     |
| Type  | RO       | RO | RO | RO | RO | RO | RO | RO | RO | RO | RO | RO | RO | RO | RO    | R/W   | R/W |
| Reset | 0        | 0  | 0  | 0  | 0  | 0  | 0  | 0  | 0  | 0  | 0  | 0  | 0  | 0  | 0     | 0     | 0   |

| Bit/Field | Name  | Type | Reset | Description  |   |   |   |   |
|-----------|---|------|-------|--|---|---|---|---|
| 31:2      | reserved  | RO   | 0x0   | Software should not rely on the value of a reserved bit. To provide compatibility with future products, the value of a reserved bit should be preserved across a read-modify-write operation.  |   |   |   |   |
| 1         | PMASK   | R/W  | 0     | <p>Programming Interrupt Mask</p> <p>This bit controls the reporting of the programming raw interrupt status to the interrupt controller.</p> <p>Value Description</p> <table border="0"> <tr> <td>1</td> <td>An interrupt is sent to the interrupt controller when the <code>PRIS</code> bit is set.</td> </tr> <tr> <td>0</td> <td>The <code>PRIS</code> interrupt is suppressed and not sent to the interrupt controller.</td> </tr> </table> | 1 | An interrupt is sent to the interrupt controller when the <code>PRIS</code> bit is set. | 0 | The <code>PRIS</code> interrupt is suppressed and not sent to the interrupt controller. |
| 1         | An interrupt is sent to the interrupt controller when the <code>PRIS</code> bit is set. |      |       |  |   |   |   |   |
| 0         | The <code>PRIS</code> interrupt is suppressed and not sent to the interrupt controller. |      |       |  |   |   |   |   |
| 0         | AMASK   | R/W  | 0     | <p>Access Interrupt Mask</p> <p>This bit controls the reporting of the access raw interrupt status to the interrupt controller.</p> <p>Value Description</p> <table border="0"> <tr> <td>1</td> <td>An interrupt is sent to the interrupt controller when the <code>ARIS</code> bit is set.</td> </tr> <tr> <td>0</td> <td>The <code>ARIS</code> interrupt is suppressed and not sent to the interrupt controller.</td> </tr> </table>           | 1 | An interrupt is sent to the interrupt controller when the <code>ARIS</code> bit is set. | 0 | The <code>ARIS</code> interrupt is suppressed and not sent to the interrupt controller. |
| 1         | An interrupt is sent to the interrupt controller when the <code>ARIS</code> bit is set. |      |       |  |   |   |   |   |
| 0         | The <code>ARIS</code> interrupt is suppressed and not sent to the interrupt controller. |      |       |  |   |   |   |   |

## Register 6: Flash Controller Masked Interrupt Status and Clear (FCMISC), offset 0x014

This register provides two functions. First, it reports the cause of an interrupt by indicating which interrupt source or sources are signalling the interrupt. Second, it serves as the method to clear the interrupt reporting.

### Flash Controller Masked Interrupt Status and Clear (FCMISC)

Base 0x400F.D000

Offset 0x014

Type R/W1C, reset 0x0000.0000

|       |          |    |    |    |    |    |    |    |    |    |    |    |    |    |    |       |       |
|-------|----------|----|----|----|----|----|----|----|----|----|----|----|----|----|----|-------|-------|
|       | 31       | 30 | 29 | 28 | 27 | 26 | 25 | 24 | 23 | 22 | 21 | 20 | 19 | 18 | 17 | 16    |       |
|       | reserved |    |    |    |    |    |    |    |    |    |    |    |    |    |    |       |       |
| Type  | RO       | RO | RO | RO | RO | RO | RO | RO | RO | RO | RO | RO | RO | RO | RO | RO    |       |
| Reset | 0        | 0  | 0  | 0  | 0  | 0  | 0  | 0  | 0  | 0  | 0  | 0  | 0  | 0  | 0  | 0     |       |
|       | 15       | 14 | 13 | 12 | 11 | 10 | 9  | 8  | 7  | 6  | 5  | 4  | 3  | 2  | 1  | 0     |       |
|       | reserved |    |    |    |    |    |    |    |    |    |    |    |    |    |    | PMISC | AMISC |
| Type  | RO       | RO | RO | RO | RO | RO | RO | RO | RO | RO | RO | RO | RO | RO | RO | R/W1C | R/W1C |
| Reset | 0        | 0  | 0  | 0  | 0  | 0  | 0  | 0  | 0  | 0  | 0  | 0  | 0  | 0  | 0  | 0     | 0     |

| Bit/Field | Name     | Type  | Reset | Description   |
|-----------|----------|-------|-------|---|
| 31:2      | reserved | RO    | 0x0   | Software should not rely on the value of a reserved bit. To provide compatibility with future products, the value of a reserved bit should be preserved across a read-modify-write operation.   |
| 1         | PMISC    | R/W1C | 0     | Programming Masked Interrupt Status and Clear<br><br>Value Description<br>1 When read, a 1 indicates that an unmasked interrupt was signaled because a programming cycle completed.<br>Writing a 1 to this bit clears <b>PMISC</b> and also the <b>PRIS</b> bit in the <b>FCRIS</b> register (see page 217).<br>0 When read, a 0 indicates that a programming cycle complete interrupt has not occurred.<br>A write of 0 has no effect on the state of this bit.  |
| 0         | AMISC    | R/W1C | 0     | Access Masked Interrupt Status and Clear<br><br>Value Description<br>1 When read, a 1 indicates that an unmasked interrupt was signaled because a program or erase action was attempted on a block of Flash memory that contradicts the protection policy for that block as set in the <b>FMPPEn</b> registers.<br>Writing a 1 to this bit clears <b>AMISC</b> and also the <b>ARIS</b> bit in the <b>FCRIS</b> register (see page 217).<br>0 When read, a 0 indicates that no improper accesses have occurred.<br>A write of 0 has no effect on the state of this bit. |

## **6.6 Flash Register Descriptions (System Control Offset)**

The remainder of this section lists and describes the Flash Memory registers, in numerical order by address offset. Registers in this section are relative to the System Control base address of 0x400F.E000.

**Register 7: USec Reload (USECRL), offset 0x140**

**Note:** Offset is relative to System Control base address of 0x400F.E000

This register is provided as a means of creating a 1- $\mu$ s tick divider reload value for the flash controller. The internal flash has specific minimum and maximum requirements on the length of time the high voltage write pulse can be applied. It is required that this register contain the operating frequency (in MHz -1) whenever the flash is being erased or programmed. The user is required to change this value if the clocking conditions are changed for a flash erase/program operation.

## USec Reload (USECRL)

Base 0x400F.E000

Offset 0x140

Type R/W, reset 0x18

|       |          |    |    |    |    |    |    |    |      |     |     |     |     |     |     |     |
|-------|----------|----|----|----|----|----|----|----|------|-----|-----|-----|-----|-----|-----|-----|
|       | 31       | 30 | 29 | 28 | 27 | 26 | 25 | 24 | 23   | 22  | 21  | 20  | 19  | 18  | 17  | 16  |
|       | reserved |    |    |    |    |    |    |    |      |     |     |     |     |     |     |     |
| Type  | RO       | RO | RO | RO | RO | RO | RO | RO | RO   | RO  | RO  | RO  | RO  | RO  | RO  | RO  |
| Reset | 0        | 0  | 0  | 0  | 0  | 0  | 0  | 0  | 0    | 0   | 0   | 0   | 0   | 0   | 0   | 0   |
|       | 15       | 14 | 13 | 12 | 11 | 10 | 9  | 8  | 7    | 6   | 5   | 4   | 3   | 2   | 1   | 0   |
|       | reserved |    |    |    |    |    |    |    | USEC |     |     |     |     |     |     |     |
| Type  | RO       | RO | RO | RO | RO | RO | RO | RO | R/W  | R/W | R/W | R/W | R/W | R/W | R/W | R/W |
| Reset | 0        | 0  | 0  | 0  | 0  | 0  | 0  | 0  | 0    | 0   | 0   | 1   | 1   | 0   | 0   | 0   |

| Bit/Field | Name     | Type | Reset | Description  |
|-----------|----------|------|-------|--|
| 31:8      | reserved | RO   | 0x0   | Software should not rely on the value of a reserved bit. To provide compatibility with future products, the value of a reserved bit should be preserved across a read-modify-write operation.  |
| 7:0       | USEC     | R/W  | 0x18  | Microsecond Reload Value<br>MHz -1 of the controller clock when the flash is being erased or programmed.<br>If the maximum system frequency is being used, USEC should be set to 0x18 (24 MHz) whenever the flash is being erased or programmed. |

### Register 8: Flash Memory Protection Read Enable (FMPRE), offset 0x130

**Note:** Offset is relative to System Control base address of 0x400FE000.

This register stores the read-only protection bits for each 2-KB flash block (see the **FMPPE** registers for the execute-only protection bits). This register is loaded during the power-on reset sequence. The factory settings are a value of 1 for all implemented banks. This implements a policy of open access and programmability. The register bits may be changed by writing the specific register bit. However, this register is R/W0; the user can only change the protection bit from a 1 to a 0 (and may NOT change a 0 to a 1). The changes are not permanent until the register is committed (saved), at which point the bit change is permanent. If a bit is changed from a 1 to a 0 and not committed, it may be restored by executing a power-on reset sequence. For additional information, see the “Flash Memory Protection” section.

#### Flash Memory Protection Read Enable (FMPRE)

Base 0x400F.E000  
 Offset 0x130  
 Type R/W, reset 0x8000.00FF

|       |             |     |             |     |     |     |     |     |     |     |     |     |     |     |     |     |
|-------|-------------|-----|-------------|-----|-----|-----|-----|-----|-----|-----|-----|-----|-----|-----|-----|-----|
|       | 31          | 30  | 29          | 28  | 27  | 26  | 25  | 24  | 23  | 22  | 21  | 20  | 19  | 18  | 17  | 16  |
|       | DBG         |     | READ_ENABLE |     |     |     |     |     |     |     |     |     |     |     |     |     |
| Type  | R/W         | R/W | R/W         | R/W | R/W | R/W | R/W | R/W | R/W | R/W | R/W | R/W | R/W | R/W | R/W | R/W |
| Reset | 1           | 0   | 0           | 0   | 0   | 0   | 0   | 0   | 0   | 0   | 0   | 0   | 0   | 0   | 0   | 0   |
|       | 15          | 14  | 13          | 12  | 11  | 10  | 9   | 8   | 7   | 6   | 5   | 4   | 3   | 2   | 1   | 0   |
|       | READ_ENABLE |     |             |     |     |     |     |     |     |     |     |     |     |     |     |     |
| Type  | R/W         | R/W | R/W         | R/W | R/W | R/W | R/W | R/W | R/W | R/W | R/W | R/W | R/W | R/W | R/W | R/W |
| Reset | 0           | 0   | 0           | 0   | 0   | 0   | 0   | 0   | 1   | 1   | 1   | 1   | 1   | 1   | 1   | 1   |

| Bit/Field | Name        | Type | Reset      | Description   |
|-----------|-------------|------|------------|---|
| 31:30     | DBG         | R/W  | 0x2        | User Controlled Debug Enable<br>Each bit position maps 2 Kbytes of Flash to be read-enabled.<br><br>Value Description<br>0x2 Debug access allowed |
| 29:0      | READ_ENABLE | R/W  | 0x000000FF | Flash Read Enable<br>Each bit position maps 2 Kbytes of Flash to be read-enabled.<br><br>Value Description<br>0x000000FF Enables 16 KB of flash.  |

**Register 9: Flash Memory Protection Program Enable (FMPPE), offset 0x134**

**Note:** Offset is relative to System Control base address of 0x400FE000.

This register stores the execute-only protection bits for each 2-KB flash block (see the **FMPRE** registers for the read-only protection bits). This register is loaded during the power-on reset sequence. The factory settings are a value of 1 for all implemented banks. This implements a policy of open access and programmability. The register bits may be changed by writing the specific register bit. However, this register is R/W0; the user can only change the protection bit from a 1 to a 0 (and may NOT change a 0 to a 1). The changes are not permanent until the register is committed (saved), at which point the bit change is permanent. If a bit is changed from a 1 to a 0 and not committed, it may be restored by executing a power-on reset sequence. For additional information, see the “Flash Memory Protection” section.

## Flash Memory Protection Program Enable (FMPPE)

Base 0x400F.E000

Offset 0x134

Type R/W, reset 0x0000.00FF

|       | 31          | 30  | 29  | 28  | 27  | 26  | 25  | 24  | 23  | 22  | 21  | 20  | 19  | 18  | 17  | 16  |
|-------|-------------|-----|-----|-----|-----|-----|-----|-----|-----|-----|-----|-----|-----|-----|-----|-----|
|       | PROG_ENABLE |     |     |     |     |     |     |     |     |     |     |     |     |     |     |     |
| Type  | R/W         | R/W | R/W | R/W | R/W | R/W | R/W | R/W | R/W | R/W | R/W | R/W | R/W | R/W | R/W | R/W |
| Reset | 0           | 0   | 0   | 0   | 0   | 0   | 0   | 0   | 0   | 0   | 0   | 0   | 0   | 0   | 0   | 0   |
|       | 15          | 14  | 13  | 12  | 11  | 10  | 9   | 8   | 7   | 6   | 5   | 4   | 3   | 2   | 1   | 0   |
|       | PROG_ENABLE |     |     |     |     |     |     |     |     |     |     |     |     |     |     |     |
| Type  | R/W         | R/W | R/W | R/W | R/W | R/W | R/W | R/W | R/W | R/W | R/W | R/W | R/W | R/W | R/W | R/W |
| Reset | 0           | 0   | 0   | 0   | 0   | 0   | 0   | 0   | 1   | 1   | 1   | 1   | 1   | 1   | 1   | 1   |

| Bit/Field | Name        | Type                    | Reset      | Description   |
|-----------|-------------|-------------------------|------------|---|
| 31:0      | PROG_ENABLE | R/W                     | 0x000000FF | Flash Programming Enable<br>Each bit position maps 2 Kbytes of Flash to be write-enabled. |
|           | Value       | Description             |            |   |
|           | 0x000000FF  | Enables 16 KB of flash. |            |   |

## 7 General-Purpose Input/Outputs (GPIOs)

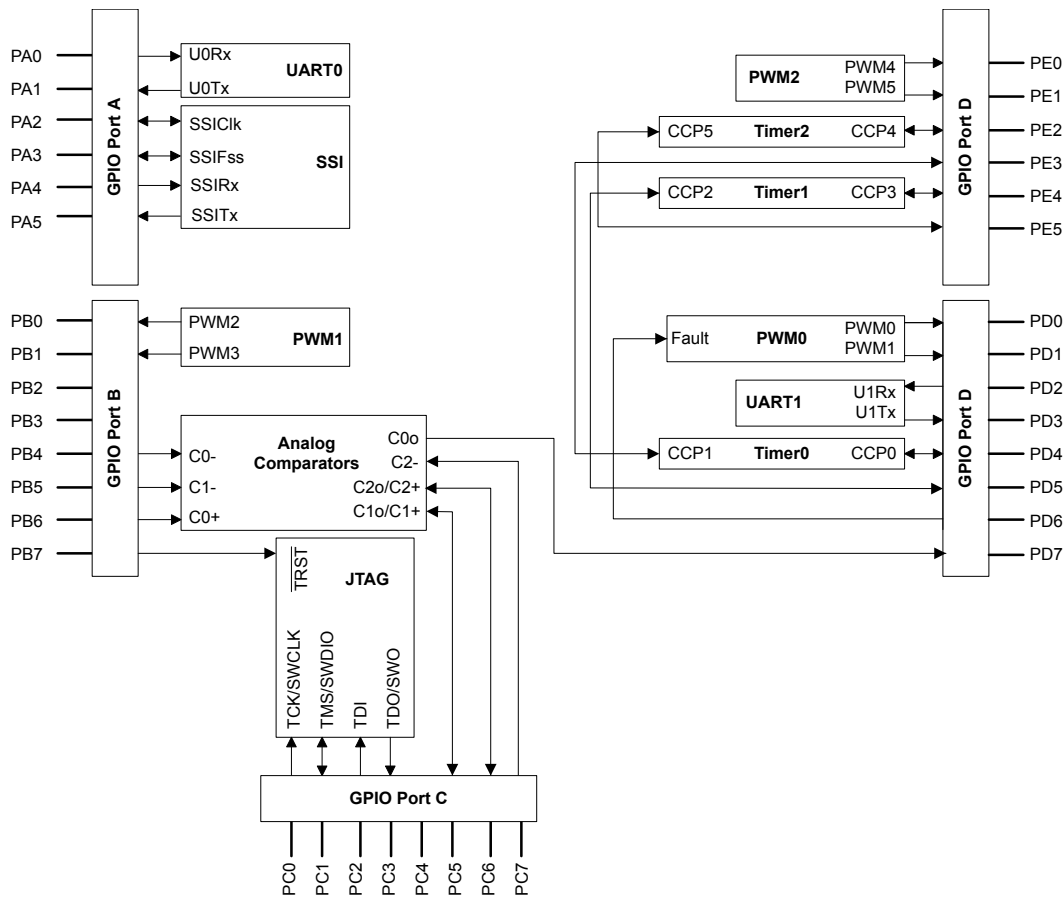
The GPIO module is composed of five physical GPIO blocks, each corresponding to an individual GPIO port (Port A, Port B, Port C, Port D, Port E). The GPIO module supports 3-36 programmable input/output pins, depending on the peripherals being used.

The GPIO module has the following features:

- 3-36 GPIOs, depending on configuration
- 5-V-tolerant in input configuration
- Fast toggle capable of a change every two clock cycles
- Programmable control for GPIO interrupts
  - Interrupt generation masking
  - Edge-triggered on rising, falling, or both
  - Level-sensitive on High or Low values
- Bit masking in both read and write operations through address lines
- Pins configured as digital inputs are Schmitt-triggered.
- Programmable control for GPIO pad configuration
  - Weak pull-up or pull-down resistors
  - 2-mA, 4-mA, and 8-mA pad drive for digital communication
  - Slew rate control for the 8-mA drive
  - Open drain enables
  - Digital input enables

## 7.1 Block Diagram

Figure 7-1. GPIO Module Block Diagram



## 7.2 Signal Description

GPIO signals have alternate hardware functions. Table 7-4 on page 228 and Table 7-5 on page 228 list the GPIO pins and their digital alternate functions. Other analog signals are 5-V tolerant and are connected directly to their circuitry (C0-, C0+, C1-, C1+, C2-, C2+). These signals are configured by clearing the **DEN** bit in the **GPIO Digital Enable (GPIO DEN)** register. The digital alternate hardware functions are enabled by setting the appropriate bit in the **GPIO Alternate Function Select (GPIOAFSEL)** and **GPIO DEN** registers and configuring the **PMC<sub>x</sub>** bit field in the **GPIO Port Control (GPIO PCTL)** register to the numeric encoding shown in the table below. Note that each pin must be programmed individually; no type of grouping is implied by the columns in the table.

**Important:** All GPIO pins are configured as GPIOs and tri-stated by default (**GPIOAFSEL**=0, **GPIO DEN**=0, **GPIO PDR**=0, **GPIO PUR**=0, and **GPIO PCTL**=0, with the exception of the four JTAG/SWD pins (shown in the table below). A Power-On-Reset ( $\overline{\text{POR}}$ ) or asserting  $\overline{\text{RST}}$  puts the pins back to their default state.

**Table 7-1. GPIO Pins With Non-Zero Reset Values**

| GPIO Pins | Default State | GPIOAFSEL | GPIOIDEN | GPIOPDR | GPIOPUR | GPIOPCTL |
|-----------|---------------|-----------|----------|---------|---------|----------|
| PA[1:0]   | UART0         | 1         | 1        | 0       | 0       | 0x1      |
| PA[5:2]   | SSI0          | 1         | 1        | 0       | 0       | 0x1      |
| PC[3:0]   | JTAG/SWD      | 1         | 1        | 0       | 1       | 0x3      |

**Table 7-2. GPIO Pins and Alternate Functions (48QFP)**

| IO  | Pin Number | Multiplexed Function | Multiplexed Function |
|-----|------------|----------------------|----------------------|
| PA0 | 17         | U0Rx                 |                      |
| PA1 | 18         | U0Tx                 |                      |
| PA2 | 19         | SSIClk               |                      |
| PA3 | 20         | SSIFss               |                      |
| PA4 | 21         | SSIRx                |                      |
| PA5 | 22         | SSITx                |                      |
| PB0 | 29         | PWM2                 |                      |
| PB1 | 30         | PWM3                 |                      |
| PB2 | 33         |                      |                      |
| PB3 | 34         |                      |                      |
| PB4 | 44         | C0-                  |                      |
| PB5 | 43         | C1-                  |                      |
| PB6 | 42         | C0+                  |                      |
| PB7 | 41         | TRST                 |                      |
| PC0 | 40         | TCK                  | SWCLK                |
| PC1 | 39         | TMS                  | SWDIO                |
| PC2 | 38         | TDI                  |                      |
| PC3 | 37         | TDO                  | SWO                  |
| PC4 | 14         |                      |                      |
| PC5 | 13         | C1+                  | C1o                  |
| PC6 | 12         | C2+                  | C2o                  |
| PC7 | 11         | C2-                  |                      |
| PD0 | 25         | PWM0                 |                      |
| PD1 | 26         | PWM1                 |                      |
| PD2 | 27         | U1Rx                 |                      |
| PD3 | 28         | U1Tx                 |                      |
| PD4 | 45         | CCP0                 |                      |
| PD5 | 46         | CCP2                 |                      |
| PD6 | 47         | Fault                |                      |
| PD7 | 48         | C0o                  |                      |
| PE0 | 35         | PWM4                 |                      |
| PE1 | 36         | PWM5                 |                      |
| PE2 | 4          | CCP4                 |                      |
| PE3 | 3          | CCP1                 |                      |

Table 7-2. GPIO Pins and Alternate Functions (48QFP) (continued)

| IO  | Pin Number | Multiplexed Function | Multiplexed Function |
|-----|------------|----------------------|----------------------|
| PE4 | 2          | CCP3                 |                      |
| PE5 | 1          | CCP5                 |                      |

Table 7-3. GPIO Pins and Alternate Functions (48QFN)

| IO  | Pin Number | Multiplexed Function | Multiplexed Function |
|-----|------------|----------------------|----------------------|
| PA0 | 17         | U0Rx                 |                      |
| PA1 | 18         | U0Tx                 |                      |
| PA2 | 19         | SSIClk               |                      |
| PA3 | 20         | SSIFss               |                      |
| PA4 | 21         | SSIRx                |                      |
| PA5 | 22         | SSITx                |                      |
| PB0 | 29         | PWM2                 |                      |
| PB1 | 30         | PWM3                 |                      |
| PB2 | 33         |                      |                      |
| PB3 | 34         |                      |                      |
| PB4 | 44         | C0-                  |                      |
| PB5 | 43         | C1-                  |                      |
| PB6 | 42         | C0+                  |                      |
| PB7 | 41         | TRST                 |                      |
| PC0 | 40         | TCK                  | SWCLK                |
| PC1 | 39         | TMS                  | SWDIO                |
| PC2 | 38         | TDI                  |                      |
| PC3 | 37         | TDO                  | SWO                  |
| PC4 | 14         |                      |                      |
| PC5 | 13         | C1+                  | C1o                  |
| PC6 | 12         | C2+                  | C2o                  |
| PC7 | 11         | C2-                  |                      |
| PD0 | 25         | PWM0                 |                      |
| PD1 | 26         | PWM1                 |                      |
| PD2 | 27         | U1Rx                 |                      |
| PD3 | 28         | U1Tx                 |                      |
| PD4 | 45         | CCP0                 |                      |
| PD5 | 46         | CCP2                 |                      |
| PD6 | 47         | Fault                |                      |
| PD7 | 48         | C0o                  |                      |
| PE0 | 35         | PWM4                 |                      |
| PE1 | 36         | PWM5                 |                      |
| PE2 | 4          | CCP4                 |                      |
| PE3 | 3          | CCP1                 |                      |
| PE4 | 2          | CCP3                 |                      |
| PE5 | 1          | CCP5                 |                      |

Table 7-4. GPIO Signals (48QFP)

| Pin Name | Pin Number | Pin Type | Buffer Type <sup>a</sup> | Description        |
|----------|------------|----------|--------------------------|--------------------|
| PA0      | 17         | I/O      | TTL                      | GPIO port A bit 0. |
| PA1      | 18         | I/O      | TTL                      | GPIO port A bit 1. |
| PA2      | 19         | I/O      | TTL                      | GPIO port A bit 2. |
| PA3      | 20         | I/O      | TTL                      | GPIO port A bit 3. |
| PA4      | 21         | I/O      | TTL                      | GPIO port A bit 4. |
| PA5      | 22         | I/O      | TTL                      | GPIO port A bit 5. |
| PB0      | 29         | I/O      | TTL                      | GPIO port B bit 0. |
| PB1      | 30         | I/O      | TTL                      | GPIO port B bit 1. |
| PB2      | 33         | I/O      | TTL                      | GPIO port B bit 2. |
| PB3      | 34         | I/O      | TTL                      | GPIO port B bit 3. |
| PB4      | 44         | I/O      | TTL                      | GPIO port B bit 4. |
| PB5      | 43         | I/O      | TTL                      | GPIO port B bit 5. |
| PB6      | 42         | I/O      | TTL                      | GPIO port B bit 6. |
| PB7      | 41         | I/O      | TTL                      | GPIO port B bit 7. |
| PC0      | 40         | I/O      | TTL                      | GPIO port C bit 0. |
| PC1      | 39         | I/O      | TTL                      | GPIO port C bit 1. |
| PC2      | 38         | I/O      | TTL                      | GPIO port C bit 2. |
| PC3      | 37         | I/O      | TTL                      | GPIO port C bit 3. |
| PC4      | 14         | I/O      | TTL                      | GPIO port C bit 4. |
| PC5      | 13         | I/O      | TTL                      | GPIO port C bit 5. |
| PC6      | 12         | I/O      | TTL                      | GPIO port C bit 6. |
| PC7      | 11         | I/O      | TTL                      | GPIO port C bit 7. |
| PD0      | 25         | I/O      | TTL                      | GPIO port D bit 0. |
| PD1      | 26         | I/O      | TTL                      | GPIO port D bit 1. |
| PD2      | 27         | I/O      | TTL                      | GPIO port D bit 2. |
| PD3      | 28         | I/O      | TTL                      | GPIO port D bit 3. |
| PD4      | 45         | I/O      | TTL                      | GPIO port D bit 4. |
| PD5      | 46         | I/O      | TTL                      | GPIO port D bit 5. |
| PD6      | 47         | I/O      | TTL                      | GPIO port D bit 6. |
| PD7      | 48         | I/O      | TTL                      | GPIO port D bit 7. |
| PE0      | 35         | I/O      | TTL                      | GPIO port E bit 0. |
| PE1      | 36         | I/O      | TTL                      | GPIO port E bit 1. |
| PE2      | 4          | I/O      | TTL                      | GPIO port E bit 2. |
| PE3      | 3          | I/O      | TTL                      | GPIO port E bit 3. |
| PE4      | 2          | I/O      | TTL                      | GPIO port E bit 4. |
| PE5      | 1          | I/O      | TTL                      | GPIO port E bit 5. |

a. The TTL designation indicates the pin has TTL-compatible voltage levels.

Table 7-5. GPIO Signals (48QFN)

| Pin Name | Pin Number | Pin Type | Buffer Type <sup>a</sup> | Description        |
|----------|------------|----------|--------------------------|--------------------|
| PA0      | 17         | I/O      | TTL                      | GPIO port A bit 0. |

Table 7-5. GPIO Signals (48QFN) (continued)

| Pin Name | Pin Number | Pin Type | Buffer Type <sup>a</sup> | Description        |
|----------|------------|----------|--------------------------|--------------------|
| PA1      | 18         | I/O      | TTL                      | GPIO port A bit 1. |
| PA2      | 19         | I/O      | TTL                      | GPIO port A bit 2. |
| PA3      | 20         | I/O      | TTL                      | GPIO port A bit 3. |
| PA4      | 21         | I/O      | TTL                      | GPIO port A bit 4. |
| PA5      | 22         | I/O      | TTL                      | GPIO port A bit 5. |
| PB0      | 29         | I/O      | TTL                      | GPIO port B bit 0. |
| PB1      | 30         | I/O      | TTL                      | GPIO port B bit 1. |
| PB2      | 33         | I/O      | TTL                      | GPIO port B bit 2. |
| PB3      | 34         | I/O      | TTL                      | GPIO port B bit 3. |
| PB4      | 44         | I/O      | TTL                      | GPIO port B bit 4. |
| PB5      | 43         | I/O      | TTL                      | GPIO port B bit 5. |
| PB6      | 42         | I/O      | TTL                      | GPIO port B bit 6. |
| PB7      | 41         | I/O      | TTL                      | GPIO port B bit 7. |
| PC0      | 40         | I/O      | TTL                      | GPIO port C bit 0. |
| PC1      | 39         | I/O      | TTL                      | GPIO port C bit 1. |
| PC2      | 38         | I/O      | TTL                      | GPIO port C bit 2. |
| PC3      | 37         | I/O      | TTL                      | GPIO port C bit 3. |
| PC4      | 14         | I/O      | TTL                      | GPIO port C bit 4. |
| PC5      | 13         | I/O      | TTL                      | GPIO port C bit 5. |
| PC6      | 12         | I/O      | TTL                      | GPIO port C bit 6. |
| PC7      | 11         | I/O      | TTL                      | GPIO port C bit 7. |
| PD0      | 25         | I/O      | TTL                      | GPIO port D bit 0. |
| PD1      | 26         | I/O      | TTL                      | GPIO port D bit 1. |
| PD2      | 27         | I/O      | TTL                      | GPIO port D bit 2. |
| PD3      | 28         | I/O      | TTL                      | GPIO port D bit 3. |
| PD4      | 45         | I/O      | TTL                      | GPIO port D bit 4. |
| PD5      | 46         | I/O      | TTL                      | GPIO port D bit 5. |
| PD6      | 47         | I/O      | TTL                      | GPIO port D bit 6. |
| PD7      | 48         | I/O      | TTL                      | GPIO port D bit 7. |
| PE0      | 35         | I/O      | TTL                      | GPIO port E bit 0. |
| PE1      | 36         | I/O      | TTL                      | GPIO port E bit 1. |
| PE2      | 4          | I/O      | TTL                      | GPIO port E bit 2. |
| PE3      | 3          | I/O      | TTL                      | GPIO port E bit 3. |
| PE4      | 2          | I/O      | TTL                      | GPIO port E bit 4. |
| PE5      | 1          | I/O      | TTL                      | GPIO port E bit 5. |

a. The TTL designation indicates the pin has TTL-compatible voltage levels.

## 7.3 Functional Description

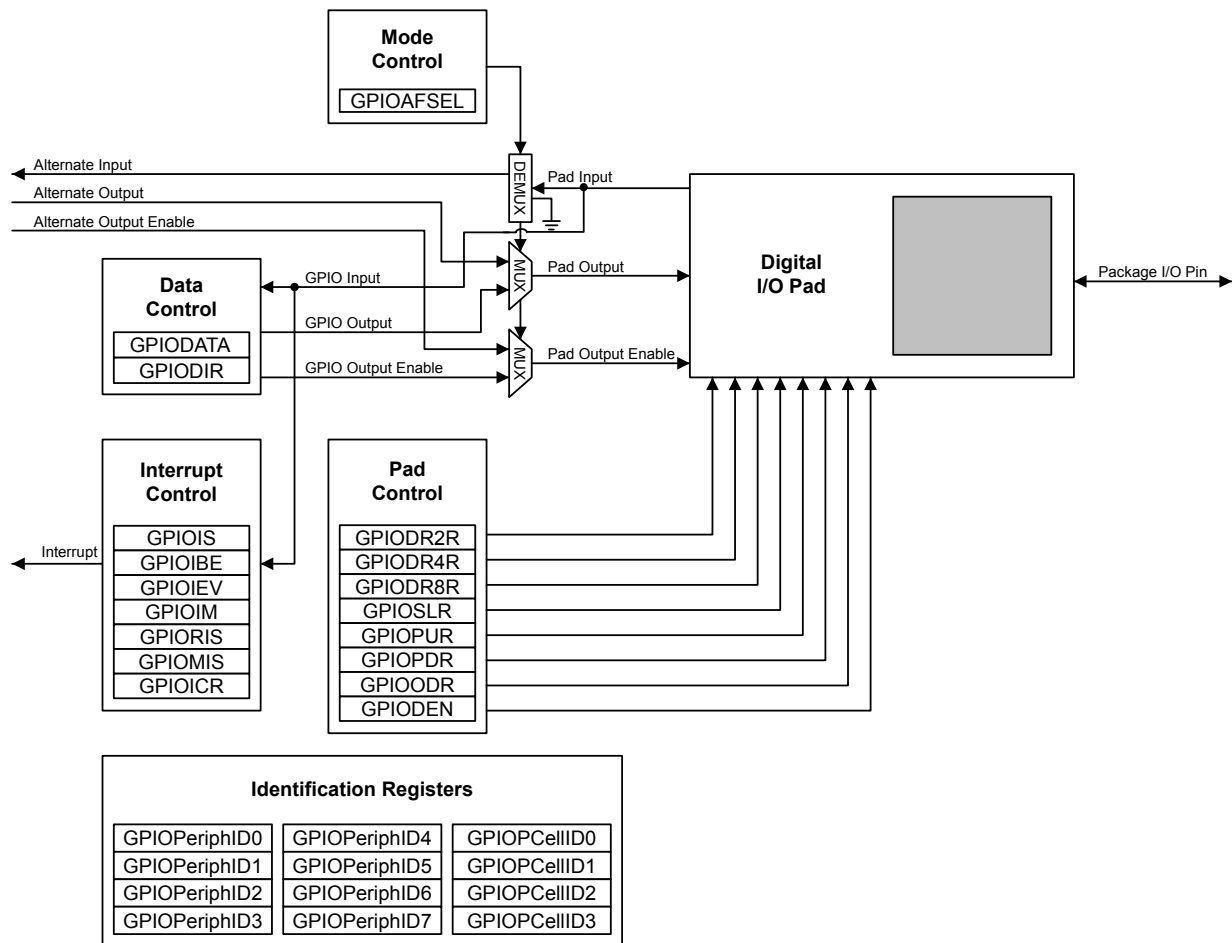
**Important:** All GPIO pins are inputs by default (**GPIODIR=0** and **GPIOAFSEL=0**), with the exception of the five JTAG pins (**PB7** and **PC[3:0]**). The JTAG pins default to their JTAG

functionality (**GPIOAFSEL=1**). A Power-On-Reset ( $\overline{POR}$ ) or asserting an external reset ( $\overline{RST}$ ) puts both groups of pins back to their default state.

While debugging systems where PB7 is being used as a GPIO, care must be taken to ensure that a Low value is not applied to the pin when the part is reset. Because PB7 reverts to the  $\overline{TRST}$  function after reset, a Low value on the pin causes the JTAG controller to be reset, resulting in a loss of JTAG communication.

Each GPIO port is a separate hardware instantiation of the same physical block (see Figure 7-2 on page 230). The LM3S310 microcontroller contains five ports and thus five of these physical GPIO blocks.

Figure 7-2. GPIO Port Block Diagram



### 7.3.1 Data Control

The data control registers allow software to configure the operational modes of the GPIOs. The data direction register configures the GPIO as an input or an output while the data register either captures incoming data or drives it out to the pads.

#### 7.3.1.1 Data Direction Operation

The **GPIO Direction (GPIODIR)** register (see page 237) is used to configure each individual pin as an input or output. When the data direction bit is set to 0, the GPIO is configured as an input and

the corresponding data register bit will capture and store the value on the GPIO port. When the data direction bit is set to 1, the GPIO is configured as an output and the corresponding data register bit will be driven out on the GPIO port.

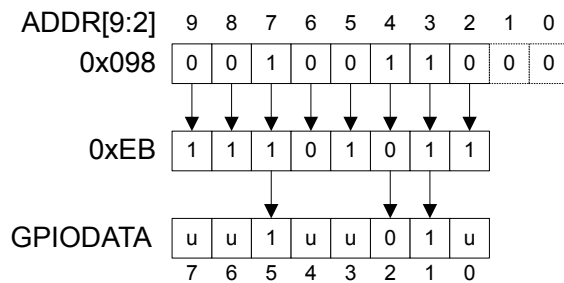
### 7.3.1.2 Data Register Operation

To aid in the efficiency of software, the GPIO ports allow for the modification of individual bits in the **GPIO Data (GPIODATA)** register (see page 236) by using bits [9:2] of the address bus as a mask. This allows software drivers to modify individual GPIO pins in a single instruction, without affecting the state of the other pins. This is in contrast to the "typical" method of doing a read-modify-write operation to set or clear an individual GPIO pin. To accommodate this feature, the **GPIODATA** register covers 256 locations in the memory map.

During a write, if the address bit associated with that data bit is set to 1, the value of the **GPIODATA** register is altered. If it is cleared to 0, it is left unchanged.

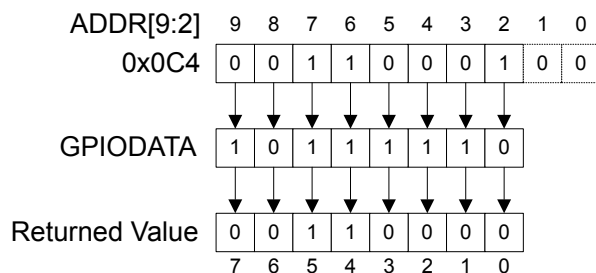
For example, writing a value of 0xEB to the address GPIODATA + 0x098 would yield as shown in Figure 7-3 on page 231, where *u* is data unchanged by the write.

**Figure 7-3. GPIODATA Write Example**



During a read, if the address bit associated with the data bit is set to 1, the value is read. If the address bit associated with the data bit is set to 0, it is read as a zero, regardless of its actual value. For example, reading address GPIODATA + 0x0C4 yields as shown in Figure 7-4 on page 231.

**Figure 7-4. GPIODATA Read Example**



## 7.3.2 Interrupt Control

The interrupt capabilities of each GPIO port are controlled by a set of seven registers. With these registers, it is possible to select the source of the interrupt, its polarity, and the edge properties. When one or more GPIO inputs cause an interrupt, a single interrupt output is sent to the interrupt controller for the entire GPIO port. For edge-triggered interrupts, software must clear the interrupt to enable any further interrupts. For a level-sensitive interrupt, it is assumed that the external source holds the level constant for the interrupt to be recognized by the controller.

Three registers are required to define the edge or sense that causes interrupts:

- **GPIO Interrupt Sense (GPIOIS)** register (see page 238)
- **GPIO Interrupt Both Edges (GPIOIBE)** register (see page 239)
- **GPIO Interrupt Event (GPIOIEV)** register (see page 240)

Interrupts are enabled/disabled via the **GPIO Interrupt Mask (GPIOIM)** register (see page 241).

When an interrupt condition occurs, the state of the interrupt signal can be viewed in two locations: the **GPIO Raw Interrupt Status (GPIORIS)** and **GPIO Masked Interrupt Status (GPIOMIS)** registers (see page 242 and page 243). As the name implies, the **GPIOMIS** register only shows interrupt conditions that are allowed to be passed to the controller. The **GPIORIS** register indicates that a GPIO pin meets the conditions for an interrupt, but has not necessarily been sent to the controller.

Interrupts are cleared by writing a 1 to the appropriate bit of the **GPIO Interrupt Clear (GPIOICR)** register (see page 244).

When programming the following interrupt control registers, the interrupts should be masked (**GPIOIM** set to 0). Writing any value to an interrupt control register (**GPIOIS**, **GPIOIBE**, or **GPIOIEV**) can generate a spurious interrupt if the corresponding bits are enabled.

### 7.3.3 Mode Control

The GPIO pins can be controlled by either hardware or software. When hardware control is enabled via the **GPIO Alternate Function Select (GPIOAFSEL)** register (see page 245), the pin state is controlled by its alternate function (that is, the peripheral). Software control corresponds to GPIO mode, where the **GPIO DATA** register is used to read/write the corresponding pins.

### 7.3.4 Pad Control

The pad control registers allow for GPIO pad configuration by software based on the application requirements. The pad control registers include the **GPIO DR2R**, **GPIO DR4R**, **GPIO DR8R**, **GPIO DR**, **GPIO PUR**, **GPIO PDR**, **GPIO SLR**, and **GPIO DEN** registers. These registers control drive strength, open-drain configuration, pull-up and pull-down resistors, slew-rate control and digital enable.

### 7.3.5 Identification

The identification registers configured at reset allow software to detect and identify the module as a GPIO block. The identification registers include the **GPIO PeriphID0-GPIO PeriphID7** registers as well as the **GPIO CellID0-GPIO CellID3** registers.

## 7.4 Initialization and Configuration

To use the GPIO, the peripheral clock must be enabled by setting the appropriate GPIO Port bit field (**GPIO<sub>n</sub>**) in the **RCGC2** register.

On reset, all GPIO pins (except for the five JTAG pins) default to general-purpose input mode (**GPIO DIR=0** and **GPIO AFSEL=0**). Table 7-6 on page 233 shows all possible configurations of the GPIO pads and the control register settings required to achieve them. Table 7-7 on page 233 shows how a rising edge interrupt would be configured for pin 2 of a GPIO port.

**Table 7-6. GPIO Pad Configuration Examples**

| Configuration               | GPIO Register Bit Value <sup>a</sup> |     |     |     |     |     |      |      |      |     |
|-----------------------------|--------------------------------------|-----|-----|-----|-----|-----|------|------|------|-----|
|                             | AFSEL                                | DIR | ODR | DEN | PUR | PDR | DR2R | DR4R | DR8R | SLR |
| Digital Input (GPIO)        | 0                                    | 0   | 0   | 1   | ?   | ?   | X    | X    | X    | X   |
| Digital Output (GPIO)       | 0                                    | 1   | 0   | 1   | ?   | ?   | ?    | ?    | ?    | ?   |
| Open Drain Output (GPIO)    | 0                                    | 1   | 1   | 1   | X   | X   | ?    | ?    | ?    | ?   |
| Digital Input (Timer CCP)   | 1                                    | X   | 0   | 1   | ?   | ?   | X    | X    | X    | X   |
| Digital Output (PWM)        | 1                                    | X   | 0   | 1   | ?   | ?   | ?    | ?    | ?    | ?   |
| Digital Output (Timer PWM)  | 1                                    | X   | 0   | 1   | ?   | ?   | ?    | ?    | ?    | ?   |
| Digital Input/Output (SSI)  | 1                                    | X   | 0   | 1   | ?   | ?   | ?    | ?    | ?    | ?   |
| Digital Input/Output (UART) | 1                                    | X   | 0   | 1   | ?   | ?   | ?    | ?    | ?    | ?   |
| Analog Input (Comparator)   | 0                                    | 0   | 0   | 0   | 0   | 0   | X    | X    | X    | X   |
| Digital Output (Comparator) | 1                                    | X   | 0   | 1   | ?   | ?   | ?    | ?    | ?    | ?   |

a. X=Ignored (don't care bit)

?=Can be either 0 or 1, depending on the configuration

**Table 7-7. GPIO Interrupt Configuration Example**

| Register | Desired Interrupt Event Trigger                                 | Pin 2 Bit Value <sup>a</sup> |   |   |   |   |   |   |   |
|----------|---|------------------------------|---|---|---|---|---|---|---|
|          |   | 7                            | 6 | 5 | 4 | 3 | 2 | 1 | 0 |
| GPIOIS   | 0=edge<br>1=level   | X                            | X | X | X | X | 0 | X | X |
| GPIOIBE  | 0=single edge<br>1=both edges                                   | X                            | X | X | X | X | 0 | X | X |
| GPIOIEV  | 0=Low level, or negative edge<br>1=High level, or positive edge | X                            | X | X | X | X | 1 | X | X |
| GPIOIM   | 0=masked<br>1=not masked  | 0                            | 0 | 0 | 0 | 0 | 1 | 0 | 0 |

a. X=Ignored (don't care bit)

## 7.5 Register Map

Table 7-8 on page 234 lists the GPIO registers. The offset listed is a hexadecimal increment to the register's address, relative to that GPIO port's base address:

- GPIO Port A: 0x4000.4000

- GPIO Port B: 0x4000.5000
- GPIO Port C: 0x4000.6000
- GPIO Port D: 0x4000.7000
- GPIO Port E: 0x4002.4000

Note that the GPIO module clock must be enabled before the registers can be programmed (see page 198). There must be a delay of 3 system clocks after the GPIO module clock is enabled before any GPIO module registers are accessed.

**Important:** The GPIO registers in this chapter are duplicated in each GPIO block; however, depending on the block, all eight bits may not be connected to a GPIO pad. In those cases, writing to those unconnected bits has no effect, and reading those unconnected bits returns no meaningful data.

**Note:** The default reset value for the **GPIOAFSEL** register is 0x0000.0000 for all GPIO pins, with the exception of the five JTAG pins (**PB7** and **PC[3:0]**). These five pins default to JTAG functionality. Because of this, the default reset value of **GPIOAFSEL** for GPIO Port B is 0x0000.0080 while the default reset value for Port C is 0x0000.000F.

**Table 7-8. GPIO Register Map**

| Offset | Name          | Type | Reset       | Description                      | See page |
|--------|---------------|------|-------------|----------------------------------|----------|
| 0x000  | GPIODATA      | R/W  | 0x0000.0000 | GPIO Data                        | 236      |
| 0x400  | GPIODIR       | R/W  | 0x0000.0000 | GPIO Direction                   | 237      |
| 0x404  | GPIOIS        | R/W  | 0x0000.0000 | GPIO Interrupt Sense             | 238      |
| 0x408  | GPIOIBE       | R/W  | 0x0000.0000 | GPIO Interrupt Both Edges        | 239      |
| 0x40C  | GPIOIEV       | R/W  | 0x0000.0000 | GPIO Interrupt Event             | 240      |
| 0x410  | GPIOIM        | R/W  | 0x0000.0000 | GPIO Interrupt Mask              | 241      |
| 0x414  | GPIORIS       | RO   | 0x0000.0000 | GPIO Raw Interrupt Status        | 242      |
| 0x418  | GIOMIS        | RO   | 0x0000.0000 | GPIO Masked Interrupt Status     | 243      |
| 0x41C  | GPIOICR       | W1C  | 0x0000.0000 | GPIO Interrupt Clear             | 244      |
| 0x420  | GPIOAFSEL     | R/W  | -           | GPIO Alternate Function Select   | 245      |
| 0x500  | GPIODR2R      | R/W  | 0x0000.00FF | GPIO 2-mA Drive Select           | 247      |
| 0x504  | GPIODR4R      | R/W  | 0x0000.0000 | GPIO 4-mA Drive Select           | 248      |
| 0x508  | GPIODR8R      | R/W  | 0x0000.0000 | GPIO 8-mA Drive Select           | 249      |
| 0x50C  | GPIOODR       | R/W  | 0x0000.0000 | GPIO Open Drain Select           | 250      |
| 0x510  | GPIOPUR       | R/W  | 0x0000.00FF | GPIO Pull-Up Select              | 251      |
| 0x514  | GPIOPDR       | R/W  | 0x0000.0000 | GPIO Pull-Down Select            | 252      |
| 0x518  | GPiOSLR       | R/W  | 0x0000.0000 | GPIO Slew Rate Control Select    | 253      |
| 0x51C  | GPIODEN       | R/W  | 0x0000.00FF | GPIO Digital Enable              | 254      |
| 0xFD0  | GPIOPeriphID4 | RO   | 0x0000.0000 | GPIO Peripheral Identification 4 | 255      |
| 0xFD4  | GPIOPeriphID5 | RO   | 0x0000.0000 | GPIO Peripheral Identification 5 | 256      |

**Table 7-8. GPIO Register Map (continued)**

| Offset | Name          | Type | Reset       | Description                      | See page |
|--------|---------------|------|-------------|----------------------------------|----------|
| 0xFD8  | GPIOPeriphID6 | RO   | 0x0000.0000 | GPIO Peripheral Identification 6 | 257      |
| 0xFDC  | GPIOPeriphID7 | RO   | 0x0000.0000 | GPIO Peripheral Identification 7 | 258      |
| 0xFE0  | GPIOPeriphID0 | RO   | 0x0000.0061 | GPIO Peripheral Identification 0 | 259      |
| 0xFE4  | GPIOPeriphID1 | RO   | 0x0000.0000 | GPIO Peripheral Identification 1 | 260      |
| 0xFE8  | GPIOPeriphID2 | RO   | 0x0000.0018 | GPIO Peripheral Identification 2 | 261      |
| 0xFEC  | GPIOPeriphID3 | RO   | 0x0000.0001 | GPIO Peripheral Identification 3 | 262      |
| 0xFF0  | GPIOCellID0   | RO   | 0x0000.000D | GPIO PrimeCell Identification 0  | 263      |
| 0xFF4  | GPIOCellID1   | RO   | 0x0000.00F0 | GPIO PrimeCell Identification 1  | 264      |
| 0xFF8  | GPIOCellID2   | RO   | 0x0000.0005 | GPIO PrimeCell Identification 2  | 265      |
| 0xFFC  | GPIOCellID3   | RO   | 0x0000.00B1 | GPIO PrimeCell Identification 3  | 266      |

## 7.6 Register Descriptions

The remainder of this section lists and describes the GPIO registers, in numerical order by address offset.

### Register 1: GPIO Data (GPIODATA), offset 0x000

The **GPIODATA** register is the data register. In software control mode, values written in the **GPIODATA** register are transferred onto the GPIO port pins if the respective pins have been configured as outputs through the **GPIO Direction (GPIODIR)** register (see page 237).

In order to write to **GPIODATA**, the corresponding bits in the mask, resulting from the address bus bits [9:2], must be High. Otherwise, the bit values remain unchanged by the write.

Similarly, the values read from this register are determined for each bit by the mask bit derived from the address used to access the data register, bits [9:2]. Bits that are 1 in the address mask cause the corresponding bits in **GPIODATA** to be read, and bits that are 0 in the address mask cause the corresponding bits in **GPIODATA** to be read as 0, regardless of their value.

A read from **GPIODATA** returns the last bit value written if the respective pins are configured as outputs, or it returns the value on the corresponding input pin when these are configured as inputs. All bits are cleared by a reset.

#### GPIO Data (GPIODATA)

GPIO Port A base: 0x4000.4000  
 GPIO Port B base: 0x4000.5000  
 GPIO Port C base: 0x4000.6000  
 GPIO Port D base: 0x4000.7000  
 GPIO Port E base: 0x4002.4000  
 Offset 0x000  
 Type R/W, reset 0x0000.0000

|       |          |    |    |    |    |    |    |    |      |     |     |     |     |     |     |     |
|-------|----------|----|----|----|----|----|----|----|------|-----|-----|-----|-----|-----|-----|-----|
|       | 31       | 30 | 29 | 28 | 27 | 26 | 25 | 24 | 23   | 22  | 21  | 20  | 19  | 18  | 17  | 16  |
|       | reserved |    |    |    |    |    |    |    |      |     |     |     |     |     |     |     |
| Type  | RO       | RO | RO | RO | RO | RO | RO | RO | RO   | RO  | RO  | RO  | RO  | RO  | RO  | RO  |
| Reset | 0        | 0  | 0  | 0  | 0  | 0  | 0  | 0  | 0    | 0   | 0   | 0   | 0   | 0   | 0   | 0   |
|       | 15       | 14 | 13 | 12 | 11 | 10 | 9  | 8  | 7    | 6   | 5   | 4   | 3   | 2   | 1   | 0   |
|       | reserved |    |    |    |    |    |    |    | DATA |     |     |     |     |     |     |     |
| Type  | RO       | RO | RO | RO | RO | RO | RO | RO | R/W  | R/W | R/W | R/W | R/W | R/W | R/W | R/W |
| Reset | 0        | 0  | 0  | 0  | 0  | 0  | 0  | 0  | 0    | 0   | 0   | 0   | 0   | 0   | 0   | 0   |

| Bit/Field | Name     | Type | Reset | Description   |
|-----------|----------|------|-------|---|
| 31:8      | reserved | RO   | 0x00  | Software should not rely on the value of a reserved bit. To provide compatibility with future products, the value of a reserved bit should be preserved across a read-modify-write operation.   |
| 7:0       | DATA     | R/W  | 0x00  | <p>GPIO Data</p> <p>This register is virtually mapped to 256 locations in the address space. To facilitate the reading and writing of data to these registers by independent drivers, the data read from and the data written to the registers are masked by the eight address lines <code>ipaddr[9:2]</code>. Reads from this register return its current state. Writes to this register only affect bits that are not masked by <code>ipaddr[9:2]</code> and are configured as outputs. See "Data Register Operation" on page 231 for examples of reads and writes.</p> |

## Register 2: GPIO Direction (GPIODIR), offset 0x400

The **GPIODIR** register is the data direction register. Bits set to 1 in the **GPIODIR** register configure the corresponding pin to be an output, while bits set to 0 configure the pins to be inputs. All bits are cleared by a reset, meaning all GPIO pins are inputs by default.

### GPIO Direction (GPIODIR)

GPIO Port A base: 0x4000.4000

GPIO Port B base: 0x4000.5000

GPIO Port C base: 0x4000.6000

GPIO Port D base: 0x4000.7000

GPIO Port E base: 0x4002.4000

Offset 0x400

Type R/W, reset 0x0000.0000

|       |          |    |    |    |    |    |    |    |     |     |     |     |     |     |     |     |
|-------|----------|----|----|----|----|----|----|----|-----|-----|-----|-----|-----|-----|-----|-----|
|       | 31       | 30 | 29 | 28 | 27 | 26 | 25 | 24 | 23  | 22  | 21  | 20  | 19  | 18  | 17  | 16  |
|       | reserved |    |    |    |    |    |    |    |     |     |     |     |     |     |     |     |
| Type  | RO       | RO | RO | RO | RO | RO | RO | RO | RO  | RO  | RO  | RO  | RO  | RO  | RO  | RO  |
| Reset | 0        | 0  | 0  | 0  | 0  | 0  | 0  | 0  | 0   | 0   | 0   | 0   | 0   | 0   | 0   | 0   |
|       | 15       | 14 | 13 | 12 | 11 | 10 | 9  | 8  | 7   | 6   | 5   | 4   | 3   | 2   | 1   | 0   |
|       | reserved |    |    |    |    |    |    |    | DIR |     |     |     |     |     |     |     |
| Type  | RO       | RO | RO | RO | RO | RO | RO | RO | R/W | R/W | R/W | R/W | R/W | R/W | R/W | R/W |
| Reset | 0        | 0  | 0  | 0  | 0  | 0  | 0  | 0  | 0   | 0   | 0   | 0   | 0   | 0   | 0   | 0   |

| Bit/Field | Name     | Type | Reset | Description   |
|-----------|----------|------|-------|---|
| 31:8      | reserved | RO   | 0x00  | Software should not rely on the value of a reserved bit. To provide compatibility with future products, the value of a reserved bit should be preserved across a read-modify-write operation. |
| 7:0       | DIR      | R/W  | 0x00  | GPIO Data Direction<br>The <b>DIR</b> values are defined as follows:<br><br>Value Description<br>0 Pins are inputs.<br>1 Pins are outputs.  |

### Register 3: GPIO Interrupt Sense (GPIOIS), offset 0x404

The **GPIOIS** register is the interrupt sense register. Bits set to 1 in **GPIOIS** configure the corresponding pins to detect levels, while bits set to 0 configure the pins to detect edges. All bits are cleared by a reset.

#### GPIO Interrupt Sense (GPIOIS)

GPIO Port A base: 0x4000.4000  
 GPIO Port B base: 0x4000.5000  
 GPIO Port C base: 0x4000.6000  
 GPIO Port D base: 0x4000.7000  
 GPIO Port E base: 0x4002.4000  
 Offset 0x404  
 Type R/W, reset 0x0000.0000

|       |          |    |    |    |    |    |    |    |     |     |     |     |     |     |     |     |
|-------|----------|----|----|----|----|----|----|----|-----|-----|-----|-----|-----|-----|-----|-----|
|       | 31       | 30 | 29 | 28 | 27 | 26 | 25 | 24 | 23  | 22  | 21  | 20  | 19  | 18  | 17  | 16  |
|       | reserved |    |    |    |    |    |    |    |     |     |     |     |     |     |     |     |
| Type  | RO       | RO | RO | RO | RO | RO | RO | RO | RO  | RO  | RO  | RO  | RO  | RO  | RO  | RO  |
| Reset | 0        | 0  | 0  | 0  | 0  | 0  | 0  | 0  | 0   | 0   | 0   | 0   | 0   | 0   | 0   | 0   |
|       | 15       | 14 | 13 | 12 | 11 | 10 | 9  | 8  | 7   | 6   | 5   | 4   | 3   | 2   | 1   | 0   |
|       | reserved |    |    |    |    |    |    |    | IS  |     |     |     |     |     |     |     |
| Type  | RO       | RO | RO | RO | RO | RO | RO | RO | R/W | R/W | R/W | R/W | R/W | R/W | R/W | R/W |
| Reset | 0        | 0  | 0  | 0  | 0  | 0  | 0  | 0  | 0   | 0   | 0   | 0   | 0   | 0   | 0   | 0   |

| Bit/Field | Name     | Type | Reset | Description  |
|-----------|----------|------|-------|--|
| 31:8      | reserved | RO   | 0x00  | Software should not rely on the value of a reserved bit. To provide compatibility with future products, the value of a reserved bit should be preserved across a read-modify-write operation.                      |
| 7:0       | IS       | R/W  | 0x00  | GPIO Interrupt Sense<br>The IS values are defined as follows:<br><br>Value Description<br>0 Edge on corresponding pin is detected (edge-sensitive).<br>1 Level on corresponding pin is detected (level-sensitive). |

## Register 4: GPIO Interrupt Both Edges (GPIOIBE), offset 0x408

The **GPIOIBE** register is the interrupt both-edges register. When the corresponding bit in the **GPIO Interrupt Sense (GPIOIS)** register (see page 238) is set to detect edges, bits set to High in **GPIOIBE** configure the corresponding pin to detect both rising and falling edges, regardless of the corresponding bit in the **GPIO Interrupt Event (GPIOIEV)** register (see page 240). Clearing a bit configures the pin to be controlled by **GPIOIEV**. All bits are cleared by a reset.

### GPIO Interrupt Both Edges (GPIOIBE)

GPIO Port A base: 0x4000.4000  
 GPIO Port B base: 0x4000.5000  
 GPIO Port C base: 0x4000.6000  
 GPIO Port D base: 0x4000.7000  
 GPIO Port E base: 0x4002.4000  
 Offset 0x408  
 Type R/W, reset 0x0000.0000

|       |          |    |    |    |    |    |    |    |     |     |     |     |     |     |     |     |
|-------|----------|----|----|----|----|----|----|----|-----|-----|-----|-----|-----|-----|-----|-----|
|       | 31       | 30 | 29 | 28 | 27 | 26 | 25 | 24 | 23  | 22  | 21  | 20  | 19  | 18  | 17  | 16  |
|       | reserved |    |    |    |    |    |    |    |     |     |     |     |     |     |     |     |
| Type  | RO       | RO | RO | RO | RO | RO | RO | RO | RO  | RO  | RO  | RO  | RO  | RO  | RO  | RO  |
| Reset | 0        | 0  | 0  | 0  | 0  | 0  | 0  | 0  | 0   | 0   | 0   | 0   | 0   | 0   | 0   | 0   |
|       | 15       | 14 | 13 | 12 | 11 | 10 | 9  | 8  | 7   | 6   | 5   | 4   | 3   | 2   | 1   | 0   |
|       | reserved |    |    |    |    |    |    |    | IBE |     |     |     |     |     |     |     |
| Type  | RO       | RO | RO | RO | RO | RO | RO | RO | R/W | R/W | R/W | R/W | R/W | R/W | R/W | R/W |
| Reset | 0        | 0  | 0  | 0  | 0  | 0  | 0  | 0  | 0   | 0   | 0   | 0   | 0   | 0   | 0   | 0   |

| Bit/Field | Name     | Type | Reset | Description   |
|-----------|----------|------|-------|---|
| 31:8      | reserved | RO   | 0x00  | Software should not rely on the value of a reserved bit. To provide compatibility with future products, the value of a reserved bit should be preserved across a read-modify-write operation. |

7:0 IBE R/W 0x00 GPIO Interrupt Both Edges

The IBE values are defined as follows:

#### Value Description

- 0 Interrupt generation is controlled by the **GPIO Interrupt Event (GPIOIEV)** register (see page 240).
- 1 Both edges on the corresponding pin trigger an interrupt.

**Note:** Single edge is determined by the corresponding bit in **GPIOIEV**.

### Register 5: GPIO Interrupt Event (GPIOIEV), offset 0x40C

The **GPIOIEV** register is the interrupt event register. Bits set to High in **GPIOIEV** configure the corresponding pin to detect rising edges or high levels, depending on the corresponding bit value in the **GPIO Interrupt Sense (GPIOIS)** register (see page 238). Clearing a bit configures the pin to detect falling edges or low levels, depending on the corresponding bit value in **GPIOIS**. All bits are cleared by a reset.

#### GPIO Interrupt Event (GPIOIEV)

GPIO Port A base: 0x4000.4000  
 GPIO Port B base: 0x4000.5000  
 GPIO Port C base: 0x4000.6000  
 GPIO Port D base: 0x4000.7000  
 GPIO Port E base: 0x4002.4000  
 Offset 0x40C  
 Type R/W, reset 0x0000.0000

|       |          |    |    |    |    |    |    |    |     |     |     |     |     |     |     |     |
|-------|----------|----|----|----|----|----|----|----|-----|-----|-----|-----|-----|-----|-----|-----|
|       | 31       | 30 | 29 | 28 | 27 | 26 | 25 | 24 | 23  | 22  | 21  | 20  | 19  | 18  | 17  | 16  |
|       | reserved |    |    |    |    |    |    |    |     |     |     |     |     |     |     |     |
| Type  | RO       | RO | RO | RO | RO | RO | RO | RO | RO  | RO  | RO  | RO  | RO  | RO  | RO  | RO  |
| Reset | 0        | 0  | 0  | 0  | 0  | 0  | 0  | 0  | 0   | 0   | 0   | 0   | 0   | 0   | 0   | 0   |
|       | 15       | 14 | 13 | 12 | 11 | 10 | 9  | 8  | 7   | 6   | 5   | 4   | 3   | 2   | 1   | 0   |
|       | reserved |    |    |    |    |    |    |    | IEV |     |     |     |     |     |     |     |
| Type  | RO       | RO | RO | RO | RO | RO | RO | RO | R/W | R/W | R/W | R/W | R/W | R/W | R/W | R/W |
| Reset | 0        | 0  | 0  | 0  | 0  | 0  | 0  | 0  | 0   | 0   | 0   | 0   | 0   | 0   | 0   | 0   |

| Bit/Field | Name     | Type | Reset | Description   |
|-----------|----------|------|-------|---|
| 31:8      | reserved | RO   | 0x00  | Software should not rely on the value of a reserved bit. To provide compatibility with future products, the value of a reserved bit should be preserved across a read-modify-write operation. |

|     |     |     |      |                      |
|-----|-----|-----|------|----------------------|
| 7:0 | IEV | R/W | 0x00 | GPIO Interrupt Event |
|-----|-----|-----|------|----------------------|

- The **IEV** values are defined as follows:
- |       |  |
|-------|--|
| Value | Description  |
| 0     | Falling edge or Low levels on corresponding pins trigger interrupts. |
| 1     | Rising edge or High levels on corresponding pins trigger interrupts. |

## Register 6: GPIO Interrupt Mask (GPIOIM), offset 0x410

The **GPIOIM** register is the interrupt mask register. Bits set to High in **GPIOIM** allow the corresponding pins to trigger their individual interrupts and the combined **GPIOINTR** line. Clearing a bit disables interrupt triggering on that pin. All bits are cleared by a reset.

### GPIO Interrupt Mask (GPIOIM)

GPIO Port A base: 0x4000.4000

GPIO Port B base: 0x4000.5000

GPIO Port C base: 0x4000.6000

GPIO Port D base: 0x4000.7000

GPIO Port E base: 0x4002.4000

Offset 0x410

Type R/W, reset 0x0000.0000

|       |          |    |    |    |    |    |    |    |     |     |     |     |     |     |     |     |
|-------|----------|----|----|----|----|----|----|----|-----|-----|-----|-----|-----|-----|-----|-----|
|       | 31       | 30 | 29 | 28 | 27 | 26 | 25 | 24 | 23  | 22  | 21  | 20  | 19  | 18  | 17  | 16  |
|       | reserved |    |    |    |    |    |    |    |     |     |     |     |     |     |     |     |
| Type  | RO       | RO | RO | RO | RO | RO | RO | RO | RO  | RO  | RO  | RO  | RO  | RO  | RO  | RO  |
| Reset | 0        | 0  | 0  | 0  | 0  | 0  | 0  | 0  | 0   | 0   | 0   | 0   | 0   | 0   | 0   | 0   |
|       | 15       | 14 | 13 | 12 | 11 | 10 | 9  | 8  | 7   | 6   | 5   | 4   | 3   | 2   | 1   | 0   |
|       | reserved |    |    |    |    |    |    |    | IME |     |     |     |     |     |     |     |
| Type  | RO       | RO | RO | RO | RO | RO | RO | RO | R/W | R/W | R/W | R/W | R/W | R/W | R/W | R/W |
| Reset | 0        | 0  | 0  | 0  | 0  | 0  | 0  | 0  | 0   | 0   | 0   | 0   | 0   | 0   | 0   | 0   |

| Bit/Field | Name     | Type | Reset | Description   |
|-----------|----------|------|-------|---|
| 31:8      | reserved | RO   | 0x00  | Software should not rely on the value of a reserved bit. To provide compatibility with future products, the value of a reserved bit should be preserved across a read-modify-write operation. |
| 7:0       | IME      | R/W  | 0x00  | GPIO Interrupt Mask Enable<br>The <b>IME</b> values are defined as follows:   |
|           |          |      |       | Value Description   |
|           |          |      |       | 0 Corresponding pin interrupt is masked.  |
|           |          |      |       | 1 Corresponding pin interrupt is not masked.  |

### Register 7: GPIO Raw Interrupt Status (GPIORIS), offset 0x414

The **GPIORIS** register is the raw interrupt status register. Bits read High in **GPIORIS** reflect the status of interrupt trigger conditions detected (raw, prior to masking), indicating that all the requirements have been met, before they are finally allowed to trigger by the **GPIO Interrupt Mask (GPIOIM)** register (see page 241). Bits read as zero indicate that corresponding input pins have not initiated an interrupt. All bits are cleared by a reset.

#### GPIO Raw Interrupt Status (GPIORIS)

GPIO Port A base: 0x4000.4000  
 GPIO Port B base: 0x4000.5000  
 GPIO Port C base: 0x4000.6000  
 GPIO Port D base: 0x4000.7000  
 GPIO Port E base: 0x4002.4000  
 Offset 0x414  
 Type RO, reset 0x0000.0000

|       |          |    |    |    |    |    |    |    |     |    |    |    |    |    |    |    |
|-------|----------|----|----|----|----|----|----|----|-----|----|----|----|----|----|----|----|
|       | 31       | 30 | 29 | 28 | 27 | 26 | 25 | 24 | 23  | 22 | 21 | 20 | 19 | 18 | 17 | 16 |
|       | reserved |    |    |    |    |    |    |    |     |    |    |    |    |    |    |    |
| Type  | RO       | RO | RO | RO | RO | RO | RO | RO | RO  | RO | RO | RO | RO | RO | RO | RO |
| Reset | 0        | 0  | 0  | 0  | 0  | 0  | 0  | 0  | 0   | 0  | 0  | 0  | 0  | 0  | 0  | 0  |
|       | 15       | 14 | 13 | 12 | 11 | 10 | 9  | 8  | 7   | 6  | 5  | 4  | 3  | 2  | 1  | 0  |
|       | reserved |    |    |    |    |    |    |    | RIS |    |    |    |    |    |    |    |
| Type  | RO       | RO | RO | RO | RO | RO | RO | RO | RO  | RO | RO | RO | RO | RO | RO | RO |
| Reset | 0        | 0  | 0  | 0  | 0  | 0  | 0  | 0  | 0   | 0  | 0  | 0  | 0  | 0  | 0  | 0  |

| Bit/Field | Name     | Type | Reset | Description   |
|-----------|----------|------|-------|---|
| 31:8      | reserved | RO   | 0x00  | Software should not rely on the value of a reserved bit. To provide compatibility with future products, the value of a reserved bit should be preserved across a read-modify-write operation.   |
| 7:0       | RIS      | RO   | 0x00  | GPIO Interrupt Raw Status<br>Reflects the status of interrupt trigger condition detection on pins (raw, prior to masking).<br>The RIS values are defined as follows:<br><br>Value Description<br>0 Corresponding pin interrupt requirements not met.<br>1 Corresponding pin interrupt has met requirements. |

## Register 8: GPIO Masked Interrupt Status (GPIOMIS), offset 0x418

The **GPIOMIS** register is the masked interrupt status register. Bits read High in **GPIOMIS** reflect the status of input lines triggering an interrupt. Bits read as Low indicate that either no interrupt has been generated, or the interrupt is masked.

**GPIOMIS** is the state of the interrupt after masking.

### GPIO Masked Interrupt Status (GPIOMIS)

GPIO Port A base: 0x4000.4000  
 GPIO Port B base: 0x4000.5000  
 GPIO Port C base: 0x4000.6000  
 GPIO Port D base: 0x4000.7000  
 GPIO Port E base: 0x4002.4000  
 Offset 0x418  
 Type RO, reset 0x0000.0000

|       |          |    |    |    |    |    |    |    |     |    |    |    |    |    |    |    |
|-------|----------|----|----|----|----|----|----|----|-----|----|----|----|----|----|----|----|
|       | 31       | 30 | 29 | 28 | 27 | 26 | 25 | 24 | 23  | 22 | 21 | 20 | 19 | 18 | 17 | 16 |
|       | reserved |    |    |    |    |    |    |    |     |    |    |    |    |    |    |    |
| Type  | RO       | RO | RO | RO | RO | RO | RO | RO | RO  | RO | RO | RO | RO | RO | RO | RO |
| Reset | 0        | 0  | 0  | 0  | 0  | 0  | 0  | 0  | 0   | 0  | 0  | 0  | 0  | 0  | 0  | 0  |
|       | 15       | 14 | 13 | 12 | 11 | 10 | 9  | 8  | 7   | 6  | 5  | 4  | 3  | 2  | 1  | 0  |
|       | reserved |    |    |    |    |    |    |    | MIS |    |    |    |    |    |    |    |
| Type  | RO       | RO | RO | RO | RO | RO | RO | RO | RO  | RO | RO | RO | RO | RO | RO | RO |
| Reset | 0        | 0  | 0  | 0  | 0  | 0  | 0  | 0  | 0   | 0  | 0  | 0  | 0  | 0  | 0  | 0  |

| Bit/Field | Name     | Type | Reset | Description   |
|-----------|----------|------|-------|---|
| 31:8      | reserved | RO   | 0x00  | Software should not rely on the value of a reserved bit. To provide compatibility with future products, the value of a reserved bit should be preserved across a read-modify-write operation. |
| 7:0       | MIS      | RO   | 0x00  | GPIO Masked Interrupt Status<br>Masked value of interrupt due to corresponding pin.<br>The MIS values are defined as follows:   |
|           |          |      |       | Value Description   |
|           |          |      |       | 0 Corresponding GPIO line interrupt not active.   |
|           |          |      |       | 1 Corresponding GPIO line asserting interrupt.  |

### Register 9: GPIO Interrupt Clear (GPIOICR), offset 0x41C

The **GPIOICR** register is the interrupt clear register. Writing a 1 to a bit in this register clears the corresponding interrupt edge detection logic register. Writing a 0 has no effect.

#### GPIO Interrupt Clear (GPIOICR)

GPIO Port A base: 0x4000.4000  
 GPIO Port B base: 0x4000.5000  
 GPIO Port C base: 0x4000.6000  
 GPIO Port D base: 0x4000.7000  
 GPIO Port E base: 0x4002.4000  
 Offset 0x41C  
 Type W1C, reset 0x0000.0000

|       |          |    |    |    |    |    |    |    |     |     |     |     |     |     |     |     |
|-------|----------|----|----|----|----|----|----|----|-----|-----|-----|-----|-----|-----|-----|-----|
|       | 31       | 30 | 29 | 28 | 27 | 26 | 25 | 24 | 23  | 22  | 21  | 20  | 19  | 18  | 17  | 16  |
|       | reserved |    |    |    |    |    |    |    |     |     |     |     |     |     |     |     |
| Type  | RO       | RO | RO | RO | RO | RO | RO | RO | RO  | RO  | RO  | RO  | RO  | RO  | RO  | RO  |
| Reset | 0        | 0  | 0  | 0  | 0  | 0  | 0  | 0  | 0   | 0   | 0   | 0   | 0   | 0   | 0   | 0   |
|       | 15       | 14 | 13 | 12 | 11 | 10 | 9  | 8  | 7   | 6   | 5   | 4   | 3   | 2   | 1   | 0   |
|       | reserved |    |    |    |    |    |    |    | IC  |     |     |     |     |     |     |     |
| Type  | RO       | RO | RO | RO | RO | RO | RO | RO | W1C | W1C | W1C | W1C | W1C | W1C | W1C | W1C |
| Reset | 0        | 0  | 0  | 0  | 0  | 0  | 0  | 0  | 0   | 0   | 0   | 0   | 0   | 0   | 0   | 0   |

| Bit/Field | Name     | Type | Reset | Description   |
|-----------|----------|------|-------|---|
| 31:8      | reserved | RO   | 0x00  | Software should not rely on the value of a reserved bit. To provide compatibility with future products, the value of a reserved bit should be preserved across a read-modify-write operation. |
| 7:0       | IC       | W1C  | 0x00  | GPIO Interrupt Clear<br>The IC values are defined as follows:   |
|           |          |      |       | Value Description   |
|           |          |      |       | 0 Corresponding interrupt is unaffected.  |
|           |          |      |       | 1 Corresponding interrupt is cleared.   |

## Register 10: GPIO Alternate Function Select (GPIOAFSEL), offset 0x420

The **GPIOAFSEL** register is the mode control select register. Writing a 1 to any bit in this register selects the hardware control for the corresponding GPIO line. All bits are cleared by a reset, therefore no GPIO line is set to hardware control by default.

**Important:** All GPIO pins are inputs by default (**GPIODIR**=0 and **GPIOAFSEL**=0), with the exception of the five JTAG pins (**PB7** and **PC[3:0]**). The JTAG pins default to their JTAG functionality (**GPIOAFSEL**=1). A Power-On-Reset ( $\overline{POR}$ ) or asserting an external reset ( $\overline{RST}$ ) puts both groups of pins back to their default state.

While debugging systems where **PB7** is being used as a GPIO, care must be taken to ensure that a Low value is not applied to the pin when the part is reset. Because **PB7** reverts to the  $\overline{TRST}$  function after reset, a Low value on the pin causes the JTAG controller to be reset, resulting in a loss of JTAG communication.

**Caution – If the JTAG pins are used as GPIOs in a design, PB7 and PC2 cannot have external pull-down resistors connected to both of them at the same time. If both pins are pulled Low during reset, the controller has unpredictable behavior. If this happens, remove one or both of the pull-down resistors, and apply  $\overline{RST}$  or power-cycle the part.**

**It is possible to create a software sequence that prevents the debugger from connecting to the Stellaris® microcontroller. If the program code loaded into flash immediately changes the JTAG pins to their GPIO functionality, the debugger may not have enough time to connect and halt the controller before the JTAG pin functionality switches. This may lock the debugger out of the part. This can be avoided with a software routine that restores JTAG functionality based on an external or software trigger.**

### GPIO Alternate Function Select (GPIOAFSEL)

GPIO Port A base: 0x4000.4000  
 GPIO Port B base: 0x4000.5000  
 GPIO Port C base: 0x4000.6000  
 GPIO Port D base: 0x4000.7000  
 GPIO Port E base: 0x4002.4000  
 Offset 0x420  
 Type R/W, reset -

|       |          |    |    |    |    |    |    |    |       |     |     |     |     |     |     |     |
|-------|----------|----|----|----|----|----|----|----|-------|-----|-----|-----|-----|-----|-----|-----|
|       | 31       | 30 | 29 | 28 | 27 | 26 | 25 | 24 | 23    | 22  | 21  | 20  | 19  | 18  | 17  | 16  |
|       | reserved |    |    |    |    |    |    |    |       |     |     |     |     |     |     |     |
| Type  | RO       | RO | RO | RO | RO | RO | RO | RO | RO    | RO  | RO  | RO  | RO  | RO  | RO  | RO  |
| Reset | 0        | 0  | 0  | 0  | 0  | 0  | 0  | 0  | 0     | 0   | 0   | 0   | 0   | 0   | 0   | 0   |
|       | 15       | 14 | 13 | 12 | 11 | 10 | 9  | 8  | 7     | 6   | 5   | 4   | 3   | 2   | 1   | 0   |
|       | reserved |    |    |    |    |    |    |    | AFSEL |     |     |     |     |     |     |     |
| Type  | RO       | RO | RO | RO | RO | RO | RO | RO | R/W   | R/W | R/W | R/W | R/W | R/W | R/W | R/W |
| Reset | 0        | 0  | 0  | 0  | 0  | 0  | 0  | 0  | -     | -   | -   | -   | -   | -   | -   | -   |

| Bit/Field | Name     | Type | Reset | Description   |
|-----------|----------|------|-------|---|
| 31:8      | reserved | RO   | 0x00  | Software should not rely on the value of a reserved bit. To provide compatibility with future products, the value of a reserved bit should be preserved across a read-modify-write operation. |

| Bit/Field | Name   | Type | Reset | Description  |       |             |   |  |   |  |
|-----------|--|------|-------|--|-------|-------------|---|--|---|--|
| 7:0       | AFSEL  | R/W  | -     | <p>GPIO Alternate Function Select</p> <p>The AFSEL values are defined as follows:</p> <table><thead><tr><th>Value</th><th>Description</th></tr></thead><tbody><tr><td>0</td><td>Software control of corresponding GPIO line (GPIO mode).</td></tr><tr><td>1</td><td>Hardware control of corresponding GPIO line (alternate hardware function).</td></tr></tbody></table> <p><b>Note:</b> The default reset value for the <b>GPIOAFSEL</b> register is 0x0000.0000 for all GPIO pins, with the exception of the five JTAG pins (<b>PB7</b> and <b>PC[3:0]</b>). These five pins default to JTAG functionality. Because of this, the default reset value of <b>GPIOAFSEL</b> for GPIO Port B is 0x0000.0080 while the default reset value for Port C is 0x0000.000F.</p> | Value | Description | 0 | Software control of corresponding GPIO line (GPIO mode). | 1 | Hardware control of corresponding GPIO line (alternate hardware function). |
| Value     | Description  |      |       |  |       |             |   |  |   |  |
| 0         | Software control of corresponding GPIO line (GPIO mode).                   |      |       |  |       |             |   |  |   |  |
| 1         | Hardware control of corresponding GPIO line (alternate hardware function). |      |       |  |       |             |   |  |   |  |

## Register 11: GPIO 2-mA Drive Select (GPIODR2R), offset 0x500

The **GPIODR2R** register is the 2-mA drive control register. It allows for each GPIO signal in the port to be individually configured without affecting the other pads. When writing a **DRV2** bit for a GPIO signal, the corresponding **DRV4** bit in the **GPIODR4R** register and the **DRV8** bit in the **GPIODR8R** register are automatically cleared by hardware.

### GPIO 2-mA Drive Select (GPIODR2R)

GPIO Port A base: 0x4000.4000

GPIO Port B base: 0x4000.5000

GPIO Port C base: 0x4000.6000

GPIO Port D base: 0x4000.7000

GPIO Port E base: 0x4002.4000

Offset 0x500

Type R/W, reset 0x0000.00FF

|       |          |    |    |    |    |    |    |    |      |     |     |     |     |     |     |     |
|-------|----------|----|----|----|----|----|----|----|------|-----|-----|-----|-----|-----|-----|-----|
|       | 31       | 30 | 29 | 28 | 27 | 26 | 25 | 24 | 23   | 22  | 21  | 20  | 19  | 18  | 17  | 16  |
|       | reserved |    |    |    |    |    |    |    |      |     |     |     |     |     |     |     |
| Type  | RO       | RO | RO | RO | RO | RO | RO | RO | RO   | RO  | RO  | RO  | RO  | RO  | RO  | RO  |
| Reset | 0        | 0  | 0  | 0  | 0  | 0  | 0  | 0  | 0    | 0   | 0   | 0   | 0   | 0   | 0   | 0   |
|       | 15       | 14 | 13 | 12 | 11 | 10 | 9  | 8  | 7    | 6   | 5   | 4   | 3   | 2   | 1   | 0   |
|       | reserved |    |    |    |    |    |    |    | DRV2 |     |     |     |     |     |     |     |
| Type  | RO       | RO | RO | RO | RO | RO | RO | RO | R/W  | R/W | R/W | R/W | R/W | R/W | R/W | R/W |
| Reset | 0        | 0  | 0  | 0  | 0  | 0  | 0  | 0  | 1    | 1   | 1   | 1   | 1   | 1   | 1   | 1   |

| Bit/Field | Name     | Type | Reset | Description  |
|-----------|----------|------|-------|--|
| 31:8      | reserved | RO   | 0x00  | Software should not rely on the value of a reserved bit. To provide compatibility with future products, the value of a reserved bit should be preserved across a read-modify-write operation.              |
| 7:0       | DRV2     | R/W  | 0xFF  | Output Pad 2-mA Drive Enable<br>A write of 1 to either <b>GPIODR4[n]</b> or <b>GPIODR8[n]</b> clears the corresponding 2-mA enable bit. The change is effective on the second clock cycle after the write. |

### Register 12: GPIO 4-mA Drive Select (GPIODR4R), offset 0x504

The **GPIODR4R** register is the 4-mA drive control register. It allows for each GPIO signal in the port to be individually configured without affecting the other pads. When writing the **DRV4** bit for a GPIO signal, the corresponding **DRV2** bit in the **GPIODR2R** register and the **DRV8** bit in the **GPIODR8R** register are automatically cleared by hardware.

#### GPIO 4-mA Drive Select (GPIODR4R)

GPIO Port A base: 0x4000.4000  
 GPIO Port B base: 0x4000.5000  
 GPIO Port C base: 0x4000.6000  
 GPIO Port D base: 0x4000.7000  
 GPIO Port E base: 0x4002.4000  
 Offset 0x504  
 Type R/W, reset 0x0000.0000

|       |          |    |    |    |    |    |    |    |      |     |     |     |     |     |     |     |
|-------|----------|----|----|----|----|----|----|----|------|-----|-----|-----|-----|-----|-----|-----|
|       | 31       | 30 | 29 | 28 | 27 | 26 | 25 | 24 | 23   | 22  | 21  | 20  | 19  | 18  | 17  | 16  |
|       | reserved |    |    |    |    |    |    |    |      |     |     |     |     |     |     |     |
| Type  | RO       | RO | RO | RO | RO | RO | RO | RO | RO   | RO  | RO  | RO  | RO  | RO  | RO  | RO  |
| Reset | 0        | 0  | 0  | 0  | 0  | 0  | 0  | 0  | 0    | 0   | 0   | 0   | 0   | 0   | 0   | 0   |
|       | 15       | 14 | 13 | 12 | 11 | 10 | 9  | 8  | 7    | 6   | 5   | 4   | 3   | 2   | 1   | 0   |
|       | reserved |    |    |    |    |    |    |    | DRV4 |     |     |     |     |     |     |     |
| Type  | RO       | RO | RO | RO | RO | RO | RO | RO | R/W  | R/W | R/W | R/W | R/W | R/W | R/W | R/W |
| Reset | 0        | 0  | 0  | 0  | 0  | 0  | 0  | 0  | 0    | 0   | 0   | 0   | 0   | 0   | 0   | 0   |

| Bit/Field | Name     | Type | Reset | Description  |
|-----------|----------|------|-------|--|
| 31:8      | reserved | RO   | 0x00  | Software should not rely on the value of a reserved bit. To provide compatibility with future products, the value of a reserved bit should be preserved across a read-modify-write operation.              |
| 7:0       | DRV4     | R/W  | 0x00  | Output Pad 4-mA Drive Enable<br>A write of 1 to either <b>GPIODR2[n]</b> or <b>GPIODR8[n]</b> clears the corresponding 4-mA enable bit. The change is effective on the second clock cycle after the write. |

### Register 13: GPIO 8-mA Drive Select (GPIODR8R), offset 0x508

The **GPIODR8R** register is the 8-mA drive control register. It allows for each GPIO signal in the port to be individually configured without affecting the other pads. When writing the **DRV8** bit for a GPIO signal, the corresponding **DRV2** bit in the **GPIODR2R** register and the **DRV4** bit in the **GPIODR4R** register are automatically cleared by hardware.

#### GPIO 8-mA Drive Select (GPIODR8R)

GPIO Port A base: 0x4000.4000

GPIO Port B base: 0x4000.5000

GPIO Port C base: 0x4000.6000

GPIO Port D base: 0x4000.7000

GPIO Port E base: 0x4002.4000

Offset 0x508

Type R/W, reset 0x0000.0000

|       |          |    |    |    |    |    |    |    |      |     |     |     |     |     |     |     |
|-------|----------|----|----|----|----|----|----|----|------|-----|-----|-----|-----|-----|-----|-----|
|       | 31       | 30 | 29 | 28 | 27 | 26 | 25 | 24 | 23   | 22  | 21  | 20  | 19  | 18  | 17  | 16  |
|       | reserved |    |    |    |    |    |    |    |      |     |     |     |     |     |     |     |
| Type  | RO       | RO | RO | RO | RO | RO | RO | RO | RO   | RO  | RO  | RO  | RO  | RO  | RO  | RO  |
| Reset | 0        | 0  | 0  | 0  | 0  | 0  | 0  | 0  | 0    | 0   | 0   | 0   | 0   | 0   | 0   | 0   |
|       | 15       | 14 | 13 | 12 | 11 | 10 | 9  | 8  | 7    | 6   | 5   | 4   | 3   | 2   | 1   | 0   |
|       | reserved |    |    |    |    |    |    |    | DRV8 |     |     |     |     |     |     |     |
| Type  | RO       | RO | RO | RO | RO | RO | RO | RO | R/W  | R/W | R/W | R/W | R/W | R/W | R/W | R/W |
| Reset | 0        | 0  | 0  | 0  | 0  | 0  | 0  | 0  | 0    | 0   | 0   | 0   | 0   | 0   | 0   | 0   |

| Bit/Field | Name     | Type | Reset | Description  |
|-----------|----------|------|-------|--|
| 31:8      | reserved | RO   | 0x00  | Software should not rely on the value of a reserved bit. To provide compatibility with future products, the value of a reserved bit should be preserved across a read-modify-write operation.              |
| 7:0       | DRV8     | R/W  | 0x00  | Output Pad 8-mA Drive Enable<br>A write of 1 to either <b>GPIODR2[n]</b> or <b>GPIODR4[n]</b> clears the corresponding 8-mA enable bit. The change is effective on the second clock cycle after the write. |

### Register 14: GPIO Open Drain Select (GPIOODR), offset 0x50C

The **GPIOODR** register is the open drain control register. Setting a bit in this register enables the open drain configuration of the corresponding GPIO pad. When open drain mode is enabled, the corresponding bit should also be set in the **GPIO Digital Enable (GPIODEN)** register (see page 254). Corresponding bits in the drive strength registers (**GPIODR2R**, **GPIODR4R**, **GPIODR8R**, and **GPIOSLR**) can be set to achieve the desired rise and fall times. The GPIO acts as an open-drain input if the corresponding bit in the **GPIODIR** register is cleared. If open drain is selected while the GPIO is configured as an input, the GPIO will remain an input and the open-drain selection has no effect until the GPIO is changed to an output.

#### GPIO Open Drain Select (GPIOODR)

GPIO Port A base: 0x4000.4000  
 GPIO Port B base: 0x4000.5000  
 GPIO Port C base: 0x4000.6000  
 GPIO Port D base: 0x4000.7000  
 GPIO Port E base: 0x4002.4000  
 Offset 0x50C  
 Type R/W, reset 0x0000.0000

|       |          |    |    |    |    |    |    |    |     |     |     |     |     |     |     |     |
|-------|----------|----|----|----|----|----|----|----|-----|-----|-----|-----|-----|-----|-----|-----|
|       | 31       | 30 | 29 | 28 | 27 | 26 | 25 | 24 | 23  | 22  | 21  | 20  | 19  | 18  | 17  | 16  |
|       | reserved |    |    |    |    |    |    |    |     |     |     |     |     |     |     |     |
| Type  | RO       | RO | RO | RO | RO | RO | RO | RO | RO  | RO  | RO  | RO  | RO  | RO  | RO  | RO  |
| Reset | 0        | 0  | 0  | 0  | 0  | 0  | 0  | 0  | 0   | 0   | 0   | 0   | 0   | 0   | 0   | 0   |
|       | 15       | 14 | 13 | 12 | 11 | 10 | 9  | 8  | 7   | 6   | 5   | 4   | 3   | 2   | 1   | 0   |
|       | reserved |    |    |    |    |    |    |    | ODE |     |     |     |     |     |     |     |
| Type  | RO       | RO | RO | RO | RO | RO | RO | RO | R/W | R/W | R/W | R/W | R/W | R/W | R/W | R/W |
| Reset | 0        | 0  | 0  | 0  | 0  | 0  | 0  | 0  | 0   | 0   | 0   | 0   | 0   | 0   | 0   | 0   |

| Bit/Field | Name     | Type | Reset | Description   |
|-----------|----------|------|-------|---|
| 31:8      | reserved | RO   | 0x00  | Software should not rely on the value of a reserved bit. To provide compatibility with future products, the value of a reserved bit should be preserved across a read-modify-write operation. |
| 7:0       | ODE      | R/W  | 0x00  | Output Pad Open Drain Enable<br>The ODE values are defined as follows:  |
|           |          |      |       | Value Description   |
|           |          |      |       | 0 Open drain configuration is disabled.   |
|           |          |      |       | 1 Open drain configuration is enabled.  |

## Register 15: GPIO Pull-Up Select (GPIOPUR), offset 0x510

The **GPIOPUR** register is the pull-up control register. When a bit is set to 1, it enables a weak pull-up resistor on the corresponding GPIO signal. Setting a bit in **GPIOPUR** automatically clears the corresponding bit in the **GPIO Pull-Down Select (GPIOPDR)** register (see page 252).

### GPIO Pull-Up Select (GPIOPUR)

GPIO Port A base: 0x4000.4000

GPIO Port B base: 0x4000.5000

GPIO Port C base: 0x4000.6000

GPIO Port D base: 0x4000.7000

GPIO Port E base: 0x4002.4000

Offset 0x510

Type R/W, reset 0x0000.00FF

|       | 31       | 30 | 29 | 28 | 27 | 26 | 25 | 24 | 23  | 22  | 21  | 20  | 19  | 18  | 17  | 16  |
|-------|----------|----|----|----|----|----|----|----|-----|-----|-----|-----|-----|-----|-----|-----|
|       | reserved |    |    |    |    |    |    |    |     |     |     |     |     |     |     |     |
| Type  | RO       | RO | RO | RO | RO | RO | RO | RO | RO  | RO  | RO  | RO  | RO  | RO  | RO  | RO  |
| Reset | 0        | 0  | 0  | 0  | 0  | 0  | 0  | 0  | 0   | 0   | 0   | 0   | 0   | 0   | 0   | 0   |
|       | 15       | 14 | 13 | 12 | 11 | 10 | 9  | 8  | 7   | 6   | 5   | 4   | 3   | 2   | 1   | 0   |
|       | reserved |    |    |    |    |    |    |    | PUE |     |     |     |     |     |     |     |
| Type  | RO       | RO | RO | RO | RO | RO | RO | RO | R/W | R/W | R/W | R/W | R/W | R/W | R/W | R/W |
| Reset | 0        | 0  | 0  | 0  | 0  | 0  | 0  | 0  | 1   | 1   | 1   | 1   | 1   | 1   | 1   | 1   |

| Bit/Field | Name     | Type | Reset | Description   |
|-----------|----------|------|-------|---|
| 31:8      | reserved | RO   | 0x00  | Software should not rely on the value of a reserved bit. To provide compatibility with future products, the value of a reserved bit should be preserved across a read-modify-write operation. |
| 7:0       | PUE      | R/W  | 0xFF  | Pad Weak Pull-Up Enable<br>A write of 1 to <b>GPIOPDR[n]</b> clears the corresponding <b>GPIOPUR[n]</b> enables. The change is effective on the second clock cycle after the write.           |

### Register 16: GPIO Pull-Down Select (GPIOPDR), offset 0x514

The **GPIOPDR** register is the pull-down control register. When a bit is set to 1, it enables a weak pull-down resistor on the corresponding GPIO signal. Setting a bit in **GPIOPDR** automatically clears the corresponding bit in the **GPIO Pull-Up Select (GPIOPUR)** register (see page 251).

#### GPIO Pull-Down Select (GPIOPDR)

GPIO Port A base: 0x4000.4000  
 GPIO Port B base: 0x4000.5000  
 GPIO Port C base: 0x4000.6000  
 GPIO Port D base: 0x4000.7000  
 GPIO Port E base: 0x4002.4000  
 Offset 0x514  
 Type R/W, reset 0x0000.0000

|       |          |    |    |    |    |    |    |    |     |     |     |     |     |     |     |     |
|-------|----------|----|----|----|----|----|----|----|-----|-----|-----|-----|-----|-----|-----|-----|
|       | 31       | 30 | 29 | 28 | 27 | 26 | 25 | 24 | 23  | 22  | 21  | 20  | 19  | 18  | 17  | 16  |
|       | reserved |    |    |    |    |    |    |    |     |     |     |     |     |     |     |     |
| Type  | RO       | RO | RO | RO | RO | RO | RO | RO | RO  | RO  | RO  | RO  | RO  | RO  | RO  | RO  |
| Reset | 0        | 0  | 0  | 0  | 0  | 0  | 0  | 0  | 0   | 0   | 0   | 0   | 0   | 0   | 0   | 0   |
|       | 15       | 14 | 13 | 12 | 11 | 10 | 9  | 8  | 7   | 6   | 5   | 4   | 3   | 2   | 1   | 0   |
|       | reserved |    |    |    |    |    |    |    | PDE |     |     |     |     |     |     |     |
| Type  | RO       | RO | RO | RO | RO | RO | RO | RO | R/W | R/W | R/W | R/W | R/W | R/W | R/W | R/W |
| Reset | 0        | 0  | 0  | 0  | 0  | 0  | 0  | 0  | 0   | 0   | 0   | 0   | 0   | 0   | 0   | 0   |

| Bit/Field | Name     | Type | Reset | Description   |
|-----------|----------|------|-------|---|
| 31:8      | reserved | RO   | 0x00  | Software should not rely on the value of a reserved bit. To provide compatibility with future products, the value of a reserved bit should be preserved across a read-modify-write operation. |
| 7:0       | PDE      | R/W  | 0x00  | Pad Weak Pull-Down Enable<br>A write of 1 to <b>GPIOPUR[n]</b> clears the corresponding <b>GPIOPDR[n]</b> enables. The change is effective on the second clock cycle after the write.         |

**Register 17: GPIO Slew Rate Control Select (GPIOSLR), offset 0x518**

The **GPIOSLR** register is the slew rate control register. Slew rate control is only available when using the 8-mA drive strength option via the **GPIO 8-mA Drive Select (GPIO8R)** register (see page 249).

**GPIO Slew Rate Control Select (GPIOSLR)**

GPIO Port A base: 0x4000.4000

GPIO Port B base: 0x4000.5000

GPIO Port C base: 0x4000.6000

GPIO Port D base: 0x4000.7000

GPIO Port E base: 0x4002.4000

Offset 0x518

Type R/W, reset 0x0000.0000

|       |          |    |    |    |    |    |    |    |     |     |     |     |     |     |     |     |
|-------|----------|----|----|----|----|----|----|----|-----|-----|-----|-----|-----|-----|-----|-----|
|       | 31       | 30 | 29 | 28 | 27 | 26 | 25 | 24 | 23  | 22  | 21  | 20  | 19  | 18  | 17  | 16  |
|       | reserved |    |    |    |    |    |    |    |     |     |     |     |     |     |     |     |
| Type  | RO       | RO | RO | RO | RO | RO | RO | RO | RO  | RO  | RO  | RO  | RO  | RO  | RO  | RO  |
| Reset | 0        | 0  | 0  | 0  | 0  | 0  | 0  | 0  | 0   | 0   | 0   | 0   | 0   | 0   | 0   | 0   |
|       | 15       | 14 | 13 | 12 | 11 | 10 | 9  | 8  | 7   | 6   | 5   | 4   | 3   | 2   | 1   | 0   |
|       | reserved |    |    |    |    |    |    |    | SRL |     |     |     |     |     |     |     |
| Type  | RO       | RO | RO | RO | RO | RO | RO | RO | R/W | R/W | R/W | R/W | R/W | R/W | R/W | R/W |
| Reset | 0        | 0  | 0  | 0  | 0  | 0  | 0  | 0  | 0   | 0   | 0   | 0   | 0   | 0   | 0   | 0   |

| Bit/Field | Name     | Type | Reset | Description   |
|-----------|----------|------|-------|---|
| 31:8      | reserved | RO   | 0x00  | Software should not rely on the value of a reserved bit. To provide compatibility with future products, the value of a reserved bit should be preserved across a read-modify-write operation. |
| 7:0       | SRL      | R/W  | 0x00  | Slew Rate Limit Enable (8-mA drive only)<br>The <i>SRL</i> values are defined as follows:   |
|           |          |      |       | Value Description   |
|           |          |      |       | 0 Slew rate control disabled.   |
|           |          |      |       | 1 Slew rate control enabled.  |

### Register 18: GPIO Digital Enable (GPIODEN), offset 0x51C

**Note:** Pins configured as digital inputs are Schmitt-triggered.

The **GPIODEN** register is the digital enable register. By default, all GPIO signals are configured as digital inputs at reset. If a pin is being used as a GPIO or its Alternate Hardware Function, it should be configured as a digital input. The only time that a pin should not be configured as a digital input is when the GPIO pin is configured to be one of the analog input signals for the analog comparators.

#### GPIO Digital Enable (GPIODEN)

GPIO Port A base: 0x4000.4000

GPIO Port B base: 0x4000.5000

GPIO Port C base: 0x4000.6000

GPIO Port D base: 0x4000.7000

GPIO Port E base: 0x4002.4000

Offset 0x51C

Type R/W, reset 0x0000.00FF

|       |          |    |    |    |    |    |    |    |     |     |     |     |     |     |     |     |
|-------|----------|----|----|----|----|----|----|----|-----|-----|-----|-----|-----|-----|-----|-----|
|       | 31       | 30 | 29 | 28 | 27 | 26 | 25 | 24 | 23  | 22  | 21  | 20  | 19  | 18  | 17  | 16  |
|       | reserved |    |    |    |    |    |    |    |     |     |     |     |     |     |     |     |
| Type  | RO       | RO | RO | RO | RO | RO | RO | RO | RO  | RO  | RO  | RO  | RO  | RO  | RO  | RO  |
| Reset | 0        | 0  | 0  | 0  | 0  | 0  | 0  | 0  | 0   | 0   | 0   | 0   | 0   | 0   | 0   | 0   |
|       | 15       | 14 | 13 | 12 | 11 | 10 | 9  | 8  | 7   | 6   | 5   | 4   | 3   | 2   | 1   | 0   |
|       | reserved |    |    |    |    |    |    |    | DEN |     |     |     |     |     |     |     |
| Type  | RO       | RO | RO | RO | RO | RO | RO | RO | R/W | R/W | R/W | R/W | R/W | R/W | R/W | R/W |
| Reset | 0        | 0  | 0  | 0  | 0  | 0  | 0  | 0  | 1   | 1   | 1   | 1   | 1   | 1   | 1   | 1   |

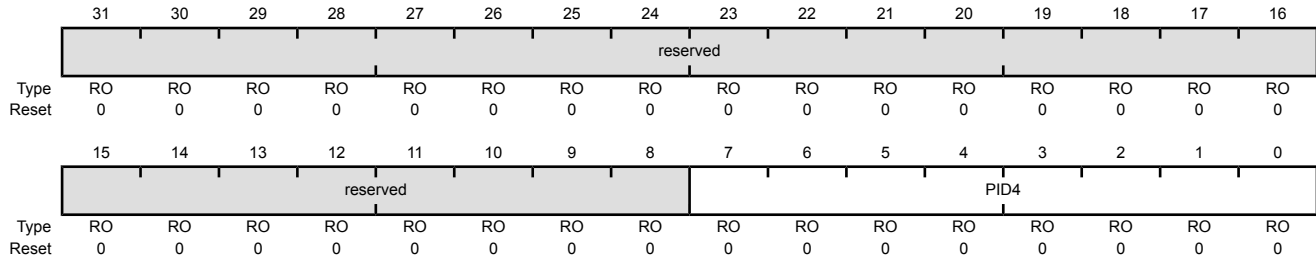
| Bit/Field | Name                        | Type | Reset | Description   |       |             |   |                             |   |                            |
|-----------|-----------------------------|------|-------|---|-------|-------------|---|-----------------------------|---|----------------------------|
| 31:8      | reserved                    | RO   | 0x00  | Software should not rely on the value of a reserved bit. To provide compatibility with future products, the value of a reserved bit should be preserved across a read-modify-write operation.   |       |             |   |                             |   |                            |
| 7:0       | DEN                         | R/W  | 0xFF  | Digital Enable<br>The DEN values are defined as follows:<br><br><table border="0"> <tr> <td>Value</td> <td>Description</td> </tr> <tr> <td>0</td> <td>Digital functions disabled.</td> </tr> <tr> <td>1</td> <td>Digital functions enabled.</td> </tr> </table> | Value | Description | 0 | Digital functions disabled. | 1 | Digital functions enabled. |
| Value     | Description                 |      |       |   |       |             |   |                             |   |                            |
| 0         | Digital functions disabled. |      |       |   |       |             |   |                             |   |                            |
| 1         | Digital functions enabled.  |      |       |   |       |             |   |                             |   |                            |

### Register 19: GPIO Peripheral Identification 4 (GPIOPeriphID4), offset 0xFD0

The **GPIOPeriphID4**, **GPIOPeriphID5**, **GPIOPeriphID6**, and **GPIOPeriphID7** registers can conceptually be treated as one 32-bit register; each register contains eight bits of the 32-bit register, used by software to identify the peripheral.

#### GPIO Peripheral Identification 4 (GPIOPeriphID4)

GPIO Port A base: 0x4000.4000  
 GPIO Port B base: 0x4000.5000  
 GPIO Port C base: 0x4000.6000  
 GPIO Port D base: 0x4000.7000  
 GPIO Port E base: 0x4002.4000  
 Offset 0xFD0  
 Type RO, reset 0x0000.0000



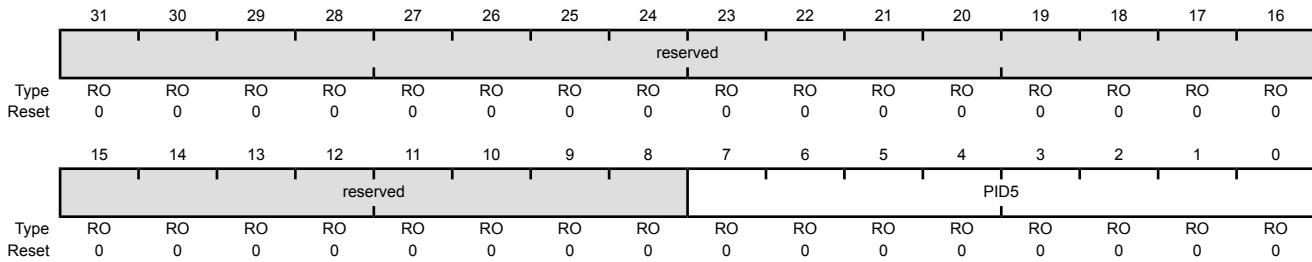
| Bit/Field | Name     | Type | Reset | Description   |
|-----------|----------|------|-------|---|
| 31:8      | reserved | RO   | 0x00  | Software should not rely on the value of a reserved bit. To provide compatibility with future products, the value of a reserved bit should be preserved across a read-modify-write operation. |
| 7:0       | PID4     | RO   | 0x00  | GPIO Peripheral ID Register[7:0]  |

### Register 20: GPIO Peripheral Identification 5 (GPIOPeriphID5), offset 0xFD4

The **GPIOPeriphID4**, **GPIOPeriphID5**, **GPIOPeriphID6**, and **GPIOPeriphID7** registers can conceptually be treated as one 32-bit register; each register contains eight bits of the 32-bit register, used by software to identify the peripheral.

#### GPIO Peripheral Identification 5 (GPIOPeriphID5)

GPIO Port A base: 0x4000.4000  
 GPIO Port B base: 0x4000.5000  
 GPIO Port C base: 0x4000.6000  
 GPIO Port D base: 0x4000.7000  
 GPIO Port E base: 0x4002.4000  
 Offset 0xFD4  
 Type RO, reset 0x0000.0000



| Bit/Field | Name     | Type | Reset | Description   |
|-----------|----------|------|-------|---|
| 31:8      | reserved | RO   | 0x00  | Software should not rely on the value of a reserved bit. To provide compatibility with future products, the value of a reserved bit should be preserved across a read-modify-write operation. |
| 7:0       | PID5     | RO   | 0x00  | GPIO Peripheral ID Register[15:8]   |

**Register 21: GPIO Peripheral Identification 6 (GPIOPeriphID6), offset 0xFD8**

The **GPIOPeriphID4**, **GPIOPeriphID5**, **GPIOPeriphID6**, and **GPIOPeriphID7** registers can conceptually be treated as one 32-bit register; each register contains eight bits of the 32-bit register, used by software to identify the peripheral.

## GPIO Peripheral Identification 6 (GPIOPeriphID6)

GPIO Port A base: 0x4000.4000

GPIO Port B base: 0x4000.5000

GPIO Port C base: 0x4000.6000

GPIO Port D base: 0x4000.7000

GPIO Port E base: 0x4002.4000

Offset 0xFD8

Type RO, reset 0x0000.0000

|       |          |    |    |    |    |    |    |    |      |    |    |    |    |    |    |    |
|-------|----------|----|----|----|----|----|----|----|------|----|----|----|----|----|----|----|
|       | 31       | 30 | 29 | 28 | 27 | 26 | 25 | 24 | 23   | 22 | 21 | 20 | 19 | 18 | 17 | 16 |
|       | reserved |    |    |    |    |    |    |    |      |    |    |    |    |    |    |    |
| Type  | RO       | RO | RO | RO | RO | RO | RO | RO | RO   | RO | RO | RO | RO | RO | RO | RO |
| Reset | 0        | 0  | 0  | 0  | 0  | 0  | 0  | 0  | 0    | 0  | 0  | 0  | 0  | 0  | 0  | 0  |
|       | 15       | 14 | 13 | 12 | 11 | 10 | 9  | 8  | 7    | 6  | 5  | 4  | 3  | 2  | 1  | 0  |
|       | reserved |    |    |    |    |    |    |    | PID6 |    |    |    |    |    |    |    |
| Type  | RO       | RO | RO | RO | RO | RO | RO | RO | RO   | RO | RO | RO | RO | RO | RO | RO |
| Reset | 0        | 0  | 0  | 0  | 0  | 0  | 0  | 0  | 0    | 0  | 0  | 0  | 0  | 0  | 0  | 0  |

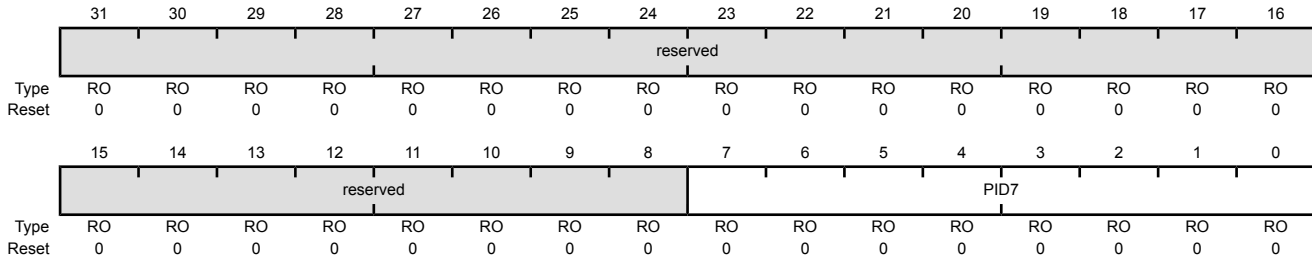
| Bit/Field | Name     | Type | Reset | Description   |
|-----------|----------|------|-------|---|
| 31:8      | reserved | RO   | 0x00  | Software should not rely on the value of a reserved bit. To provide compatibility with future products, the value of a reserved bit should be preserved across a read-modify-write operation. |
| 7:0       | PID6     | RO   | 0x00  | GPIO Peripheral ID Register[23:16]  |

### Register 22: GPIO Peripheral Identification 7 (GPIOPeriphID7), offset 0xFDC

The **GPIOPeriphID4**, **GPIOPeriphID5**, **GPIOPeriphID6**, and **GPIOPeriphID7** registers can conceptually be treated as one 32-bit register; each register contains eight bits of the 32-bit register, used by software to identify the peripheral.

#### GPIO Peripheral Identification 7 (GPIOPeriphID7)

GPIO Port A base: 0x4000.4000  
 GPIO Port B base: 0x4000.5000  
 GPIO Port C base: 0x4000.6000  
 GPIO Port D base: 0x4000.7000  
 GPIO Port E base: 0x4002.4000  
 Offset 0xFDC  
 Type RO, reset 0x0000.0000



| Bit/Field | Name     | Type | Reset | Description   |
|-----------|----------|------|-------|---|
| 31:8      | reserved | RO   | 0x00  | Software should not rely on the value of a reserved bit. To provide compatibility with future products, the value of a reserved bit should be preserved across a read-modify-write operation. |
| 7:0       | PID7     | RO   | 0x00  | GPIO Peripheral ID Register[31:24]  |

**Register 23: GPIO Peripheral Identification 0 (GPIOPeriphID0), offset 0xFE0**

The **GPIOPeriphID0**, **GPIOPeriphID1**, **GPIOPeriphID2**, and **GPIOPeriphID3** registers can conceptually be treated as one 32-bit register; each register contains eight bits of the 32-bit register, used by software to identify the peripheral.

## GPIO Peripheral Identification 0 (GPIOPeriphID0)

GPIO Port A base: 0x4000.4000

GPIO Port B base: 0x4000.5000

GPIO Port C base: 0x4000.6000

GPIO Port D base: 0x4000.7000

GPIO Port E base: 0x4002.4000

Offset 0xFE0

Type RO, reset 0x0000.0061

|       |          |    |    |    |    |    |    |    |      |    |    |    |    |    |    |    |
|-------|----------|----|----|----|----|----|----|----|------|----|----|----|----|----|----|----|
|       | 31       | 30 | 29 | 28 | 27 | 26 | 25 | 24 | 23   | 22 | 21 | 20 | 19 | 18 | 17 | 16 |
|       | reserved |    |    |    |    |    |    |    |      |    |    |    |    |    |    |    |
| Type  | RO       | RO | RO | RO | RO | RO | RO | RO | RO   | RO | RO | RO | RO | RO | RO | RO |
| Reset | 0        | 0  | 0  | 0  | 0  | 0  | 0  | 0  | 0    | 0  | 0  | 0  | 0  | 0  | 0  | 0  |
|       | 15       | 14 | 13 | 12 | 11 | 10 | 9  | 8  | 7    | 6  | 5  | 4  | 3  | 2  | 1  | 0  |
|       | reserved |    |    |    |    |    |    |    | PID0 |    |    |    |    |    |    |    |
| Type  | RO       | RO | RO | RO | RO | RO | RO | RO | RO   | RO | RO | RO | RO | RO | RO | RO |
| Reset | 0        | 0  | 0  | 0  | 0  | 0  | 0  | 0  | 0    | 1  | 1  | 0  | 0  | 0  | 0  | 1  |

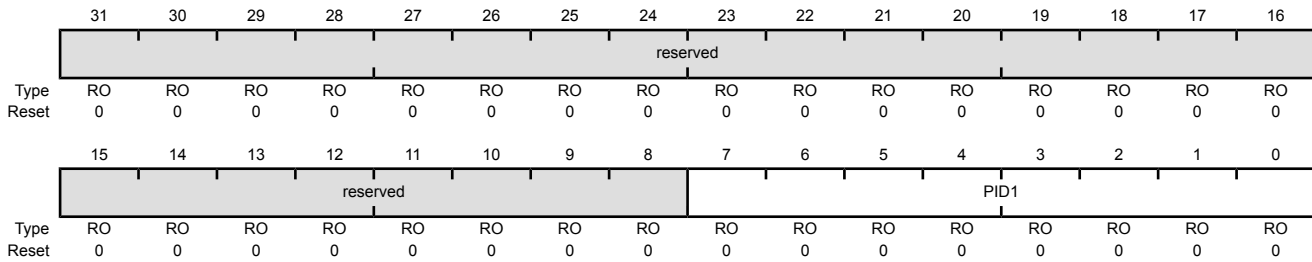
| Bit/Field | Name     | Type | Reset | Description   |
|-----------|----------|------|-------|---|
| 31:8      | reserved | RO   | 0x00  | Software should not rely on the value of a reserved bit. To provide compatibility with future products, the value of a reserved bit should be preserved across a read-modify-write operation. |
| 7:0       | PID0     | RO   | 0x61  | GPIO Peripheral ID Register[7:0]<br>Can be used by software to identify the presence of this peripheral.  |

### Register 24: GPIO Peripheral Identification 1 (GPIOPeriphID1), offset 0xFE4

The **GPIOPeriphID0**, **GPIOPeriphID1**, **GPIOPeriphID2**, and **GPIOPeriphID3** registers can conceptually be treated as one 32-bit register; each register contains eight bits of the 32-bit register, used by software to identify the peripheral.

#### GPIO Peripheral Identification 1 (GPIOPeriphID1)

GPIO Port A base: 0x4000.4000  
 GPIO Port B base: 0x4000.5000  
 GPIO Port C base: 0x4000.6000  
 GPIO Port D base: 0x4000.7000  
 GPIO Port E base: 0x4002.4000  
 Offset 0xFE4  
 Type RO, reset 0x0000.0000



| Bit/Field | Name     | Type | Reset | Description   |
|-----------|----------|------|-------|---|
| 31:8      | reserved | RO   | 0x00  | Software should not rely on the value of a reserved bit. To provide compatibility with future products, the value of a reserved bit should be preserved across a read-modify-write operation. |
| 7:0       | PID1     | RO   | 0x00  | GPIO Peripheral ID Register[15:8]<br>Can be used by software to identify the presence of this peripheral.   |

**Register 25: GPIO Peripheral Identification 2 (GPIOPeriphID2), offset 0xFE8**

The **GPIOPeriphID0**, **GPIOPeriphID1**, **GPIOPeriphID2**, and **GPIOPeriphID3** registers can conceptually be treated as one 32-bit register; each register contains eight bits of the 32-bit register, used by software to identify the peripheral.

## GPIO Peripheral Identification 2 (GPIOPeriphID2)

GPIO Port A base: 0x4000.4000

GPIO Port B base: 0x4000.5000

GPIO Port C base: 0x4000.6000

GPIO Port D base: 0x4000.7000

GPIO Port E base: 0x4002.4000

Offset 0xFE8

Type RO, reset 0x0000.0018

|       |          |    |    |    |    |    |    |    |      |    |    |    |    |    |    |    |
|-------|----------|----|----|----|----|----|----|----|------|----|----|----|----|----|----|----|
|       | 31       | 30 | 29 | 28 | 27 | 26 | 25 | 24 | 23   | 22 | 21 | 20 | 19 | 18 | 17 | 16 |
|       | reserved |    |    |    |    |    |    |    |      |    |    |    |    |    |    |    |
| Type  | RO       | RO | RO | RO | RO | RO | RO | RO | RO   | RO | RO | RO | RO | RO | RO | RO |
| Reset | 0        | 0  | 0  | 0  | 0  | 0  | 0  | 0  | 0    | 0  | 0  | 0  | 0  | 0  | 0  | 0  |
|       | 15       | 14 | 13 | 12 | 11 | 10 | 9  | 8  | 7    | 6  | 5  | 4  | 3  | 2  | 1  | 0  |
|       | reserved |    |    |    |    |    |    |    | PID2 |    |    |    |    |    |    |    |
| Type  | RO       | RO | RO | RO | RO | RO | RO | RO | RO   | RO | RO | RO | RO | RO | RO | RO |
| Reset | 0        | 0  | 0  | 0  | 0  | 0  | 0  | 0  | 0    | 0  | 0  | 1  | 1  | 0  | 0  | 0  |

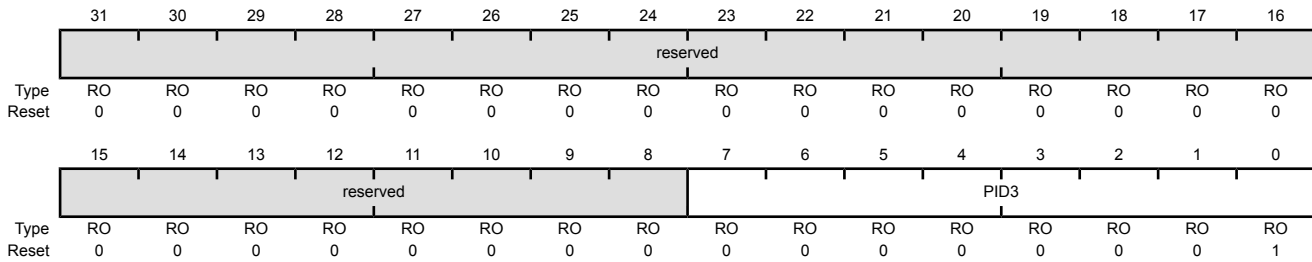
| Bit/Field | Name     | Type | Reset | Description   |
|-----------|----------|------|-------|---|
| 31:8      | reserved | RO   | 0x00  | Software should not rely on the value of a reserved bit. To provide compatibility with future products, the value of a reserved bit should be preserved across a read-modify-write operation. |
| 7:0       | PID2     | RO   | 0x18  | GPIO Peripheral ID Register[23:16]<br>Can be used by software to identify the presence of this peripheral.  |

### Register 26: GPIO Peripheral Identification 3 (GPIOPeriphID3), offset 0xFEC

The **GPIOPeriphID0**, **GPIOPeriphID1**, **GPIOPeriphID2**, and **GPIOPeriphID3** registers can conceptually be treated as one 32-bit register; each register contains eight bits of the 32-bit register, used by software to identify the peripheral.

#### GPIO Peripheral Identification 3 (GPIOPeriphID3)

GPIO Port A base: 0x4000.4000  
 GPIO Port B base: 0x4000.5000  
 GPIO Port C base: 0x4000.6000  
 GPIO Port D base: 0x4000.7000  
 GPIO Port E base: 0x4002.4000  
 Offset 0xFEC  
 Type RO, reset 0x0000.0001



| Bit/Field | Name     | Type | Reset | Description   |
|-----------|----------|------|-------|---|
| 31:8      | reserved | RO   | 0x00  | Software should not rely on the value of a reserved bit. To provide compatibility with future products, the value of a reserved bit should be preserved across a read-modify-write operation. |
| 7:0       | PID3     | RO   | 0x01  | GPIO Peripheral ID Register[31:24]<br>Can be used by software to identify the presence of this peripheral.  |

**Register 27: GPIO PrimeCell Identification 0 (GPIOCellID0), offset 0xFF0**

The **GPIOCellID0**, **GPIOCellID1**, **GPIOCellID2**, and **GPIOCellID3** registers are four 8-bit wide registers, that can conceptually be treated as one 32-bit register. The register is used as a standard cross-peripheral identification system.

## GPIO PrimeCell Identification 0 (GPIOCellID0)

GPIO Port A base: 0x4000.4000

GPIO Port B base: 0x4000.5000

GPIO Port C base: 0x4000.6000

GPIO Port D base: 0x4000.7000

GPIO Port E base: 0x4002.4000

Offset 0xFF0

Type RO, reset 0x0000.000D

|       |          |    |    |    |    |    |    |    |      |    |    |    |    |    |    |    |
|-------|----------|----|----|----|----|----|----|----|------|----|----|----|----|----|----|----|
|       | 31       | 30 | 29 | 28 | 27 | 26 | 25 | 24 | 23   | 22 | 21 | 20 | 19 | 18 | 17 | 16 |
|       | reserved |    |    |    |    |    |    |    |      |    |    |    |    |    |    |    |
| Type  | RO       | RO | RO | RO | RO | RO | RO | RO | RO   | RO | RO | RO | RO | RO | RO | RO |
| Reset | 0        | 0  | 0  | 0  | 0  | 0  | 0  | 0  | 0    | 0  | 0  | 0  | 0  | 0  | 0  | 0  |
|       | 15       | 14 | 13 | 12 | 11 | 10 | 9  | 8  | 7    | 6  | 5  | 4  | 3  | 2  | 1  | 0  |
|       | reserved |    |    |    |    |    |    |    | CID0 |    |    |    |    |    |    |    |
| Type  | RO       | RO | RO | RO | RO | RO | RO | RO | RO   | RO | RO | RO | RO | RO | RO | RO |
| Reset | 0        | 0  | 0  | 0  | 0  | 0  | 0  | 0  | 0    | 0  | 0  | 0  | 1  | 1  | 0  | 1  |

| Bit/Field | Name     | Type | Reset | Description   |
|-----------|----------|------|-------|---|
| 31:8      | reserved | RO   | 0x00  | Software should not rely on the value of a reserved bit. To provide compatibility with future products, the value of a reserved bit should be preserved across a read-modify-write operation. |
| 7:0       | CID0     | RO   | 0x0D  | GPIO PrimeCell ID Register[7:0]<br>Provides software a standard cross-peripheral identification system.   |

### Register 28: GPIO PrimeCell Identification 1 (GPIOCellID1), offset 0xFF4

The **GPIOCellID0**, **GPIOCellID1**, **GPIOCellID2**, and **GPIOCellID3** registers are four 8-bit wide registers, that can conceptually be treated as one 32-bit register. The register is used as a standard cross-peripheral identification system.

#### GPIO PrimeCell Identification 1 (GPIOCellID1)

GPIO Port A base: 0x4000.4000  
 GPIO Port B base: 0x4000.5000  
 GPIO Port C base: 0x4000.6000  
 GPIO Port D base: 0x4000.7000  
 GPIO Port E base: 0x4002.4000  
 Offset 0xFF4  
 Type RO, reset 0x0000.00F0

|       |          |    |    |    |    |    |    |    |      |    |    |    |    |    |    |    |
|-------|----------|----|----|----|----|----|----|----|------|----|----|----|----|----|----|----|
|       | 31       | 30 | 29 | 28 | 27 | 26 | 25 | 24 | 23   | 22 | 21 | 20 | 19 | 18 | 17 | 16 |
|       | reserved |    |    |    |    |    |    |    |      |    |    |    |    |    |    |    |
| Type  | RO       | RO | RO | RO | RO | RO | RO | RO | RO   | RO | RO | RO | RO | RO | RO | RO |
| Reset | 0        | 0  | 0  | 0  | 0  | 0  | 0  | 0  | 0    | 0  | 0  | 0  | 0  | 0  | 0  | 0  |
|       | 15       | 14 | 13 | 12 | 11 | 10 | 9  | 8  | 7    | 6  | 5  | 4  | 3  | 2  | 1  | 0  |
|       | reserved |    |    |    |    |    |    |    | CID1 |    |    |    |    |    |    |    |
| Type  | RO       | RO | RO | RO | RO | RO | RO | RO | RO   | RO | RO | RO | RO | RO | RO | RO |
| Reset | 0        | 0  | 0  | 0  | 0  | 0  | 0  | 0  | 1    | 1  | 1  | 1  | 0  | 0  | 0  | 0  |

| Bit/Field | Name     | Type | Reset | Description   |
|-----------|----------|------|-------|---|
| 31:8      | reserved | RO   | 0x00  | Software should not rely on the value of a reserved bit. To provide compatibility with future products, the value of a reserved bit should be preserved across a read-modify-write operation. |
| 7:0       | CID1     | RO   | 0xF0  | GPIO PrimeCell ID Register[15:8]<br>Provides software a standard cross-peripheral identification system.  |

**Register 29: GPIO PrimeCell Identification 2 (GPIOCellID2), offset 0xFF8**

The **GPIOCellID0**, **GPIOCellID1**, **GPIOCellID2**, and **GPIOCellID3** registers are four 8-bit wide registers, that can conceptually be treated as one 32-bit register. The register is used as a standard cross-peripheral identification system.

## GPIO PrimeCell Identification 2 (GPIOCellID2)

GPIO Port A base: 0x4000.4000

GPIO Port B base: 0x4000.5000

GPIO Port C base: 0x4000.6000

GPIO Port D base: 0x4000.7000

GPIO Port E base: 0x4002.4000

Offset 0xFF8

Type RO, reset 0x0000.0005

|       |          |    |    |    |    |    |    |    |      |    |    |    |    |    |    |    |
|-------|----------|----|----|----|----|----|----|----|------|----|----|----|----|----|----|----|
|       | 31       | 30 | 29 | 28 | 27 | 26 | 25 | 24 | 23   | 22 | 21 | 20 | 19 | 18 | 17 | 16 |
|       | reserved |    |    |    |    |    |    |    |      |    |    |    |    |    |    |    |
| Type  | RO       | RO | RO | RO | RO | RO | RO | RO | RO   | RO | RO | RO | RO | RO | RO | RO |
| Reset | 0        | 0  | 0  | 0  | 0  | 0  | 0  | 0  | 0    | 0  | 0  | 0  | 0  | 0  | 0  | 0  |
|       | 15       | 14 | 13 | 12 | 11 | 10 | 9  | 8  | 7    | 6  | 5  | 4  | 3  | 2  | 1  | 0  |
|       | reserved |    |    |    |    |    |    |    | CID2 |    |    |    |    |    |    |    |
| Type  | RO       | RO | RO | RO | RO | RO | RO | RO | RO   | RO | RO | RO | RO | RO | RO | RO |
| Reset | 0        | 0  | 0  | 0  | 0  | 0  | 0  | 0  | 0    | 0  | 0  | 0  | 0  | 1  | 0  | 1  |

| Bit/Field | Name     | Type | Reset | Description   |
|-----------|----------|------|-------|---|
| 31:8      | reserved | RO   | 0x00  | Software should not rely on the value of a reserved bit. To provide compatibility with future products, the value of a reserved bit should be preserved across a read-modify-write operation. |
| 7:0       | CID2     | RO   | 0x05  | GPIO PrimeCell ID Register[23:16]<br>Provides software a standard cross-peripheral identification system.   |

### Register 30: GPIO PrimeCell Identification 3 (GPIOCellID3), offset 0xFFC

The **GPIOCellID0**, **GPIOCellID1**, **GPIOCellID2**, and **GPIOCellID3** registers are four 8-bit wide registers, that can conceptually be treated as one 32-bit register. The register is used as a standard cross-peripheral identification system.

#### GPIO PrimeCell Identification 3 (GPIOCellID3)

GPIO Port A base: 0x4000.4000  
 GPIO Port B base: 0x4000.5000  
 GPIO Port C base: 0x4000.6000  
 GPIO Port D base: 0x4000.7000  
 GPIO Port E base: 0x4002.4000  
 Offset 0xFFC  
 Type RO, reset 0x0000.00B1

|       |          |    |    |    |    |    |    |    |      |    |    |    |    |    |    |    |
|-------|----------|----|----|----|----|----|----|----|------|----|----|----|----|----|----|----|
|       | 31       | 30 | 29 | 28 | 27 | 26 | 25 | 24 | 23   | 22 | 21 | 20 | 19 | 18 | 17 | 16 |
|       | reserved |    |    |    |    |    |    |    |      |    |    |    |    |    |    |    |
| Type  | RO       | RO | RO | RO | RO | RO | RO | RO | RO   | RO | RO | RO | RO | RO | RO | RO |
| Reset | 0        | 0  | 0  | 0  | 0  | 0  | 0  | 0  | 0    | 0  | 0  | 0  | 0  | 0  | 0  | 0  |
|       | 15       | 14 | 13 | 12 | 11 | 10 | 9  | 8  | 7    | 6  | 5  | 4  | 3  | 2  | 1  | 0  |
|       | reserved |    |    |    |    |    |    |    | CID3 |    |    |    |    |    |    |    |
| Type  | RO       | RO | RO | RO | RO | RO | RO | RO | RO   | RO | RO | RO | RO | RO | RO | RO |
| Reset | 0        | 0  | 0  | 0  | 0  | 0  | 0  | 0  | 1    | 0  | 1  | 1  | 0  | 0  | 0  | 1  |

| Bit/Field | Name     | Type | Reset | Description   |
|-----------|----------|------|-------|---|
| 31:8      | reserved | RO   | 0x00  | Software should not rely on the value of a reserved bit. To provide compatibility with future products, the value of a reserved bit should be preserved across a read-modify-write operation. |
| 7:0       | CID3     | RO   | 0xB1  | GPIO PrimeCell ID Register[31:24]<br>Provides software a standard cross-peripheral identification system.   |

## 8 General-Purpose Timers

Programmable timers can be used to count or time external events that drive the Timer input pins. The Stellaris® General-Purpose Timer Module (GPTM) contains three GPTM blocks (Timer0, Timer1, and Timer 2). Each GPTM block provides two 16-bit timers/counters (referred to as TimerA and TimerB) that can be configured to operate independently as timers or event counters, or configured to operate as one 32-bit timer or one 32-bit Real-Time Clock (RTC).

The GPT Module is one timing resource available on the Stellaris microcontrollers. Other timer resources include the System Timer (SysTick) (see 82) and the PWM timer in the PWM module (see “PWM Timer” on page 422).

The General-Purpose Timers provide the following features:

- Three General-Purpose Timer Modules (GPTM), each of which provides two 16-bit timers/counters. Each GPTM can be configured to operate independently:
  - As a single 32-bit timer
  - As one 32-bit Real-Time Clock (RTC) to event capture
  - For Pulse Width Modulation (PWM)
- 32-bit Timer modes
  - Programmable one-shot timer
  - Programmable periodic timer
  - Real-Time Clock when using an external 32.768-KHz clock as the input
  - User-enabled stalling when the controller asserts CPU Halt flag during debug
- 16-bit Timer modes
  - General-purpose timer function with an 8-bit prescaler (for one-shot and periodic modes only)
  - Programmable one-shot timer
  - Programmable periodic timer
  - User-enabled stalling when the controller asserts CPU Halt flag during debug
- 16-bit Input Capture modes
  - Input edge count capture
  - Input edge time capture
- 16-bit PWM mode
  - Simple PWM mode with software-programmable output inversion of the PWM signal

## 8.1 Block Diagram

**Note:** In Figure 8-1 on page 268, the specific CCP pins available depend on the Stellaris device. See Table 8-1 on page 268 for the available CCPs.

Figure 8-1. GPTM Module Block Diagram

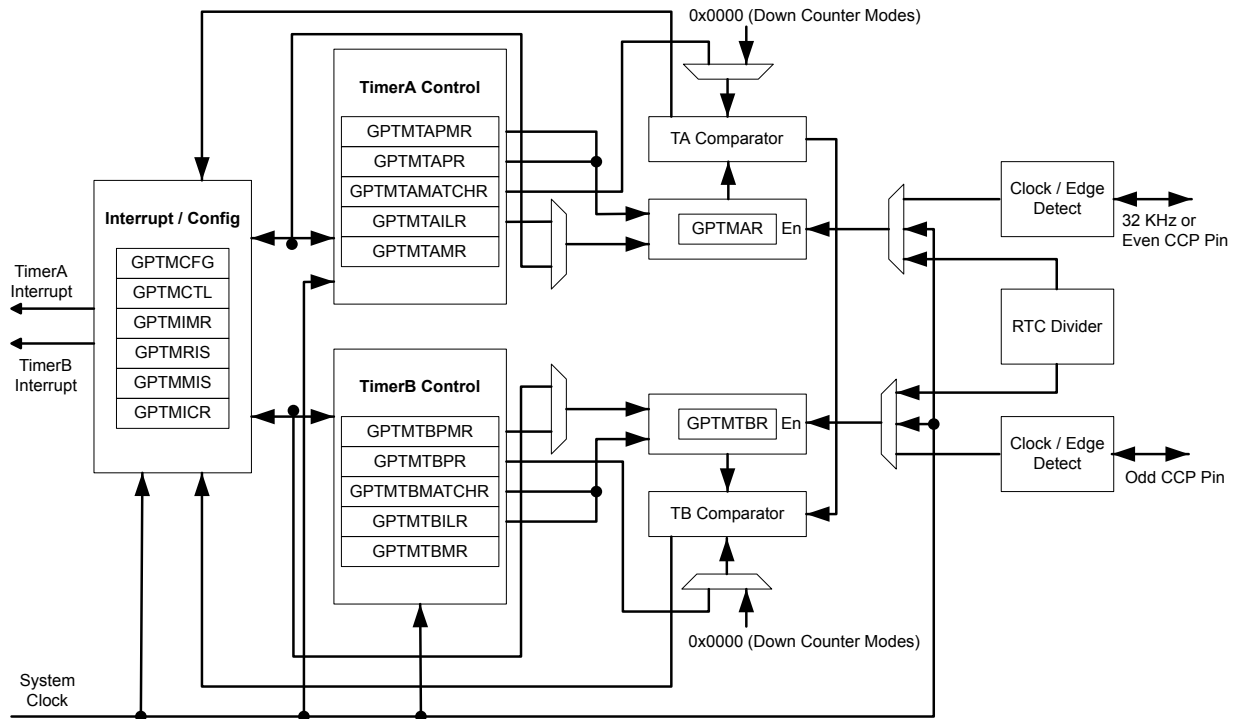


Table 8-1. Available CCP Pins

| Timer   | 16-Bit Up/Down Counter | Even CCP Pin | Odd CCP Pin |
|---------|------------------------|--------------|-------------|
| Timer 0 | TimerA                 | CCP0         | -           |
|         | TimerB                 | -            | CCP1        |
| Timer 1 | TimerA                 | CCP2         | -           |
|         | TimerB                 | -            | CCP3        |
| Timer 2 | TimerA                 | CCP4         | -           |
|         | TimerB                 | -            | CCP5        |

## 8.2 Signal Description

Table 8-2 on page 269 and Table 8-3 on page 269 list the external signals of the GP Timer module and describe the function of each. The GP Timer signals are alternate functions for some GPIO signals and default to be GPIO signals at reset. The column in the table below titled "Pin Assignment" lists the possible GPIO pin placements for these GP Timer signals. The **AFSEL** bit in the **GPIO Alternate Function Select (GPIOAFSEL)** register (page 245) should be set to choose the GP Timer function. For more information on configuring GPIOs, see "General-Purpose Input/Outputs (GPIOs)" on page 224.

**Table 8-2. General-Purpose Timers Signals (48QFP)**

| Pin Name | Pin Number | Pin Type | Buffer Type <sup>a</sup> | Description            |
|----------|------------|----------|--------------------------|------------------------|
| CCP0     | 45         | I/O      | TTL                      | Capture/Compare/PWM 0. |
| CCP1     | 3          | I/O      | TTL                      | Capture/Compare/PWM 1. |
| CCP2     | 46         | I/O      | TTL                      | Capture/Compare/PWM 2. |
| CCP3     | 2          | I/O      | TTL                      | Capture/Compare/PWM 3. |
| CCP4     | 4          | I/O      | TTL                      | Capture/Compare/PWM 4. |
| CCP5     | 1          | I/O      | TTL                      | Capture/Compare/PWM 5. |

a. The TTL designation indicates the pin has TTL-compatible voltage levels.

**Table 8-3. General-Purpose Timers Signals (48QFN)**

| Pin Name | Pin Number | Pin Type | Buffer Type <sup>a</sup> | Description            |
|----------|------------|----------|--------------------------|------------------------|
| CCP0     | 45         | I/O      | TTL                      | Capture/Compare/PWM 0. |
| CCP1     | 3          | I/O      | TTL                      | Capture/Compare/PWM 1. |
| CCP2     | 46         | I/O      | TTL                      | Capture/Compare/PWM 2. |
| CCP3     | 2          | I/O      | TTL                      | Capture/Compare/PWM 3. |
| CCP4     | 4          | I/O      | TTL                      | Capture/Compare/PWM 4. |
| CCP5     | 1          | I/O      | TTL                      | Capture/Compare/PWM 5. |

a. The TTL designation indicates the pin has TTL-compatible voltage levels.

## 8.3 Functional Description

The main components of each GPTM block are two free-running 16-bit up/down counters (referred to as TimerA and TimerB), two 16-bit match registers, two prescaler match registers, and two 16-bit load/initialization registers and their associated control functions. The exact functionality of each GPTM is controlled by software and configured through the register interface.

Software configures the GPTM using the **GPTM Configuration (GPTMCFG)** register (see page 279), the **GPTM TimerA Mode (GPTMTAMR)** register (see page 280), and the **GPTM TimerB Mode (GPTMTBMR)** register (see page 282). When in one of the 32-bit modes, the timer can only act as a 32-bit timer. However, when configured in 16-bit mode, the GPTM can have its two 16-bit timers configured in any combination of the 16-bit modes.

### 8.3.1 GPTM Reset Conditions

After reset has been applied to the GPTM module, the module is in an inactive state, and all control registers are cleared and in their default states. Counters TimerA and TimerB are initialized to 0xFFFF, along with their corresponding load registers: the **GPTM TimerA Interval Load (GPTMTAILR)** register (see page 293) and the **GPTM TimerB Interval Load (GPTMTBILR)** register (see page 294). The prescale counters are initialized to 0x00: the **GPTM TimerA Prescale (GPTMTAPR)** register (see page 297) and the **GPTM TimerB Prescale (GPTMTBPR)** register (see page 298).

### 8.3.2 32-Bit Timer Operating Modes

This section describes the three GPTM 32-bit timer modes (One-Shot, Periodic, and RTC) and their configuration.

The GPTM is placed into 32-bit mode by writing a 0 (One-Shot/Periodic 32-bit timer mode) or a 1 (RTC mode) to the **GPTM Configuration (GPTMCFG)** register. In both configurations, certain GPTM registers are concatenated to form pseudo 32-bit registers. These registers include:

- **GPTM TimerA Interval Load (GPTMTAILR)** register [15:0], see page 293
- **GPTM TimerB Interval Load (GPTMTBILR)** register [15:0], see page 294
- **GPTM TimerA (GPTMTAR)** register [15:0], see page 301
- **GPTM TimerB (GPTMTBR)** register [15:0], see page 302

In the 32-bit modes, the GPTM translates a 32-bit write access to **GPTMTAILR** into a write access to both **GPTMTAILR** and **GPTMTBILR**. The resulting word ordering for such a write operation is:

```
GPTMTBILR[15:0]:GPTMTAILR[15:0]
```

Likewise, a read access to **GPTMTAR** returns the value:

```
GPTMTBR[15:0]:GPTMTAR[15:0]
```

### 8.3.2.1 32-Bit One-Shot/Periodic Timer Mode

In 32-bit one-shot and periodic timer modes, the concatenated versions of the TimerA and TimerB registers are configured as a 32-bit down-counter. The selection of one-shot or periodic mode is determined by the value written to the **TAMR** field of the **GPTM TimerA Mode (GPTMTAMR)** register (see page 280), and there is no need to write to the **GPTM TimerB Mode (GPTMTBMR)** register.

When software writes the **TAEN** bit in the **GPTM Control (GPTMCTL)** register (see page 284), the timer begins counting down from its preloaded value. Once the 0x0000.0000 state is reached, the timer reloads its start value from the concatenated **GPTMTAILR** on the next cycle. If configured to be a one-shot timer, the timer stops counting and clears the **TAEN** bit in the **GPTMCTL** register. If configured as a periodic timer, it continues counting.

In addition to reloading the count value, the GPTM generates interrupts and triggers when it reaches the 0x000.0000 state. The GPTM sets the **TATORIS** bit in the **GPTM Raw Interrupt Status (GPTMRIS)** register (see page 289), and holds it until it is cleared by writing the **GPTM Interrupt Clear (GPTMICR)** register (see page 291). If the time-out interrupt is enabled in the **GPTM Interrupt Mask (GPTMIMR)** register (see page 287), the GPTM also sets the **TATOMIS** bit in the **GPTM Masked Interrupt Status (GPTMMIS)** register (see page 290).

If software reloads the **GPTMTAILR** register while the counter is running, the counter loads the new value on the next clock cycle and continues counting from the new value.

If the **TASTALL** bit in the **GPTMCTL** register is set, the timer freezes counting while the processor is halted by the debugger. The timer resumes counting when the processor resumes execution.

### 8.3.2.2 32-Bit Real-Time Clock Timer Mode

In Real-Time Clock (RTC) mode, the concatenated versions of the TimerA and TimerB registers are configured as a 32-bit up-counter. When RTC mode is selected for the first time, the counter is loaded with a value of 0x0000.0001. All subsequent load values must be written to the **GPTM TimerA Match (GPTMTAMATCHR)** register (see page 295) by the controller.

The input clock on an even CCP input is required to be 32.768 KHz in RTC mode. The clock signal is then divided down to a 1 Hz rate and is passed along to the input of the 32-bit counter.

When software writes the **TAEN** bit in the **GPTMCTL** register, the counter starts counting up from its preloaded value of 0x0000.0001. When the current count value matches the preloaded value in the **GPTMTAMATCHR** register, it rolls over to a value of 0x0000.0000 and continues counting until either a hardware reset, or it is disabled by software (clearing the **TAEN** bit). When a match occurs,

the GPTM asserts the `RTCRIIS` bit in **GPTMRIS**. If the RTC interrupt is enabled in **GPTMIMR**, the GPTM also sets the `RTCMIS` bit in **GPTMMIS** and generates a controller interrupt. The status flags are cleared by writing the `RTCCINT` bit in **GPTMICR**.

If the `TASTALL` and/or `TBSTALL` bits in the **GPTMCTL** register are set, the timer does not freeze if the `RTCEN` bit is set in **GPTMCTL**.

### 8.3.3 16-Bit Timer Operating Modes

The GPTM is placed into global 16-bit mode by writing a value of 0x4 to the **GPTM Configuration (GPTMCFG)** register (see page 279). This section describes each of the GPTM 16-bit modes of operation. TimerA and TimerB have identical modes, so a single description is given using an `n` to reference both.

#### 8.3.3.1 16-Bit One-Shot/Periodic Timer Mode

In 16-bit one-shot and periodic timer modes, the timer is configured as a 16-bit down-counter with an optional 8-bit prescaler that effectively extends the counting range of the timer to 24 bits. The selection of one-shot or periodic mode is determined by the value written to the `TnMR` field of the **GPTMTnMR** register. The optional prescaler is loaded into the **GPTM Timern Prescale (GPTMTnPR)** register.

When software writes the `TnEN` bit in the **GPTMCTL** register, the timer begins counting down from its preloaded value. Once the 0x0000 state is reached, the timer reloads its start value from **GPTMTnILR** and **GPTMTnPR** on the next cycle. If configured to be a one-shot timer, the timer stops counting and clears the `TnEN` bit in the **GPTMCTL** register. If configured as a periodic timer, it continues counting.

In addition to reloading the count value, the timer generates interrupts and triggers when it reaches the 0x0000 state. The GPTM sets the `TnTORIS` bit in the **GPTMRIS** register, and holds it until it is cleared by writing the **GPTMICR** register. If the time-out interrupt is enabled in **GPTMIMR**, the GPTM also sets the `TnTOMIS` bit in **GPTMISR** and generates a controller interrupt.

If software reloads the **GPTMTAILR** register while the counter is running, the counter loads the new value on the next clock cycle and continues counting from the new value.

If the `TnSTALL` bit in the **GPTMCTL** register is set, the timer freezes counting while the processor is halted by the debugger. The timer resumes counting when the processor resumes execution.

The following example shows a variety of configurations for a 16-bit free running timer while using the prescaler. All values assume a 25-MHz clock with  $T_c=20$  ns (clock period).

**Table 8-4. 16-Bit Timer With Prescaler Configurations**

| Prescale | #Clock (T c) <sup>a</sup> | Max Time | Units |
|----------|---------------------------|----------|-------|
| 00000000 | 1                         | 2.6214   | mS    |
| 00000001 | 2                         | 5.2428   | mS    |
| 00000010 | 3                         | 7.8642   | mS    |
| -----    | --                        | --       | --    |
| 11111101 | 254                       | 665.8458 | mS    |
| 11111110 | 255                       | 668.4672 | mS    |
| 11111111 | 256                       | 671.0886 | mS    |

a.  $T_c$  is the clock period.

### 8.3.3.2 16-Bit Input Edge Count Mode

**Note:** For rising-edge detection, the input signal must be High for at least two system clock periods following the rising edge. Similarly, for falling-edge detection, the input signal must be Low for at least two system clock periods following the falling edge. Based on this criteria, the maximum input frequency for edge detection is 1/4 of the system frequency.

**Note:** The prescaler is not available in 16-Bit Input Edge Count mode.

In Edge Count mode, the timer is configured as a down-counter capable of capturing three types of events: rising edge, falling edge, or both. To place the timer in Edge Count mode, the  $TnCMR$  bit of the **GPTMTnMR** register must be set to 0. The type of edge that the timer counts is determined by the  $TnEVENT$  fields of the **GPTMCTL** register. During initialization, the **GPTM Timern Match (GPTMTnMATCHR)** register is configured so that the difference between the value in the **GPTMTnILR** register and the **GPTMTnMATCHR** register equals the number of edge events that must be counted.

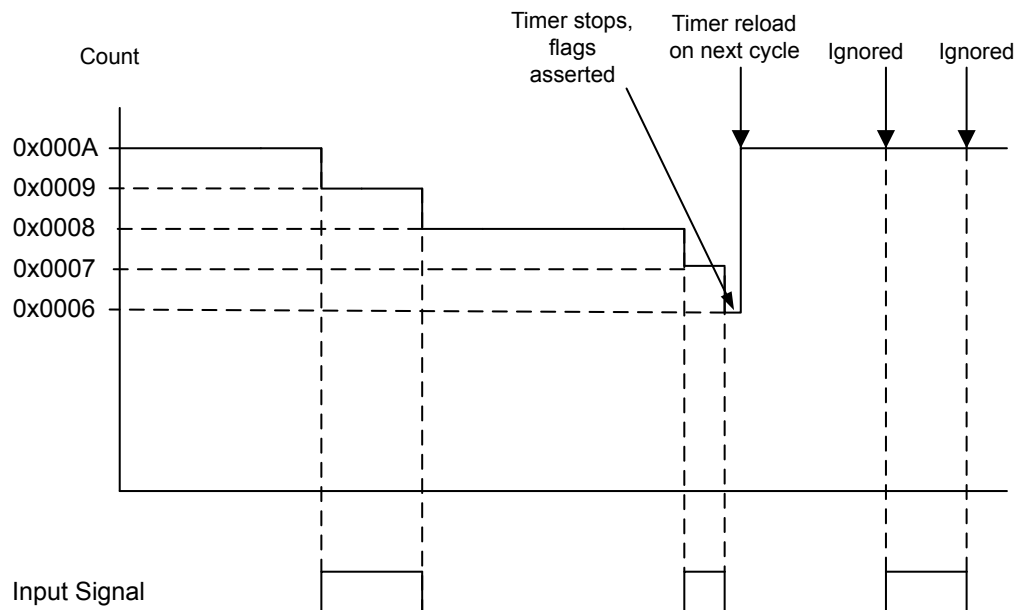
When software writes the  $TnEN$  bit in the **GPTM Control (GPTMCTL)** register, the timer is enabled for event capture. Each input event on the CCP pin decrements the counter by 1 until the event count matches **GPTMTnMATCHR**. When the counts match, the GPTM asserts the  $CnMRIS$  bit in the **GPTMRIS** register (and the  $CnMMIS$  bit, if the interrupt is not masked).

The counter is then reloaded using the value in **GPTMTnILR**, and stopped since the GPTM automatically clears the  $TnEN$  bit in the **GPTMCTL** register. Once the event count has been reached, all further events are ignored until  $TnEN$  is re-enabled by software.

Figure 8-2 on page 272 shows how input edge count mode works. In this case, the timer start value is set to **GPTMTnILR** = 0x000A and the match value is set to **GPTMTnMATCHR** = 0x0006 so that four edge events are counted. The counter is configured to detect both edges of the input signal.

Note that the last two edges are not counted since the timer automatically clears the  $TnEN$  bit after the current count matches the value in the **GPTMTnMATCHR** register.

**Figure 8-2. 16-Bit Input Edge Count Mode Example**



### 8.3.3.3 16-Bit Input Edge Time Mode

**Note:** For rising-edge detection, the input signal must be High for at least two system clock periods following the rising edge. Similarly, for falling edge detection, the input signal must be Low for at least two system clock periods following the falling edge. Based on this criteria, the maximum input frequency for edge detection is 1/4 of the system frequency.

**Note:** The prescaler is not available in 16-Bit Input Edge Time mode.

In Edge Time mode, the timer is configured as a free-running down-counter initialized to the value loaded in the **GPTMTnILR** register (or 0xFFFF at reset). The timer is capable of capturing three types of events: rising edge, falling edge, or both. The timer is placed into Edge Time mode by setting the **TnCMR** bit in the **GPTMTnMR** register, and the type of event that the timer captures is determined by the **TnEVENT** fields of the **GPTMCTL** register.

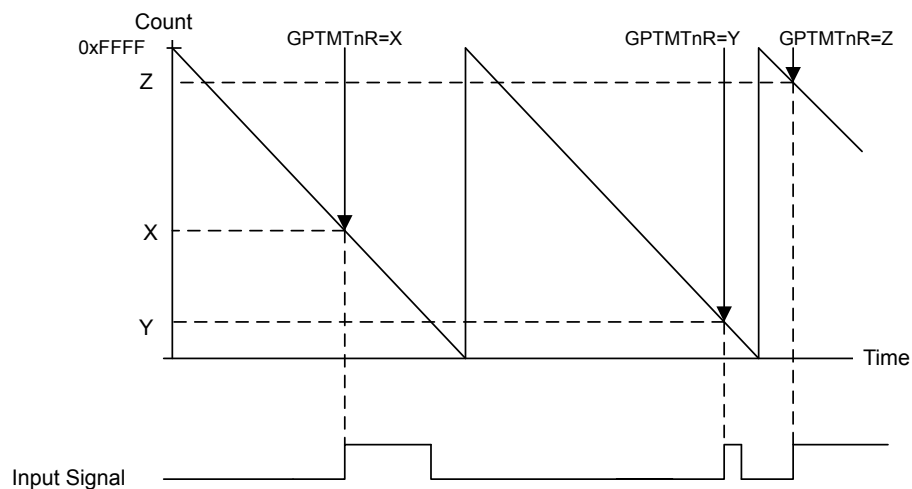
When software writes the **TnEN** bit in the **GPTMCTL** register, the timer is enabled for event capture. When the selected input event is detected, the current **Tn** counter value is captured in the **GPTMTnR** register and is available to be read by the controller. The GPTM then asserts the **CnERIS** bit (and the **CnEMIS** bit, if the interrupt is not masked).

After an event has been captured, the timer does not stop counting. It continues to count until the **TnEN** bit is cleared. When the timer reaches the 0x0000 state, it is reloaded with the value from the **GPTMTnILR** register.

Figure 8-3 on page 273 shows how input edge timing mode works. In the diagram, it is assumed that the start value of the timer is the default value of 0xFFFF, and the timer is configured to capture rising edge events.

Each time a rising edge event is detected, the current count value is loaded into the **GPTMTnR** register, and is held there until another rising edge is detected (at which point the new count value is loaded into **GPTMTnR**).

**Figure 8-3. 16-Bit Input Edge Time Mode Example**



### 8.3.3.4 16-Bit PWM Mode

**Note:** The prescaler is not available in 16-Bit PWM mode.

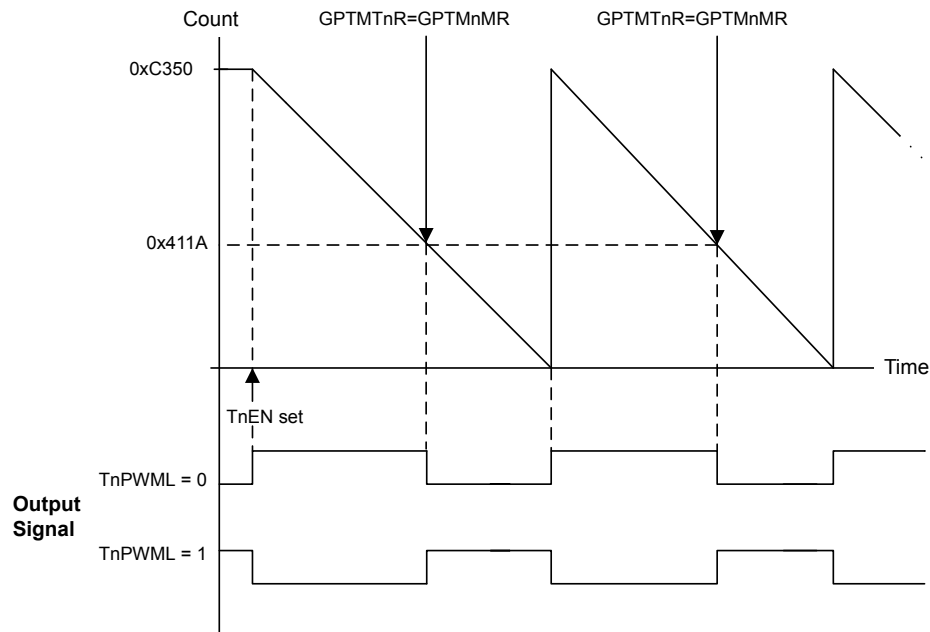
The GPTM supports a simple PWM generation mode. In PWM mode, the timer is configured as a down-counter with a start value (and thus period) defined by **GPTMTnILR**. In this mode, the PWM frequency and period are synchronous events and therefore guaranteed to be glitch free. PWM mode is enabled with the **GPTMTnMR** register by setting the  $TnAMS$  bit to 0x1, the  $TnCnMR$  bit to 0x0, and the  $TnMR$  field to 0x2.

When software writes the  $TnEN$  bit in the **GPTMCTL** register, the counter begins counting down until it reaches the 0x0000 state. On the next counter cycle, the counter reloads its start value from **GPTMTnILR** and continues counting until disabled by software clearing the  $TnEN$  bit in the **GPTMCTL** register. No interrupts or status bits are asserted in PWM mode.

The output PWM signal asserts when the counter is at the value of the **GPTMTnILR** register (its start state), and is deasserted when the counter value equals the value in the **GPTM Timern Match Register (GPTMTnMATCHR)**. Software has the capability of inverting the output PWM signal by setting the  $TnPWML$  bit in the **GPTMCTL** register.

Figure 8-4 on page 274 shows how to generate an output PWM with a 1-ms period and a 66% duty cycle assuming a 50-MHz input clock and  $TnPWML = 0$  (duty cycle would be 33% for the  $TnPWML = 1$  configuration). For this example, the start value is **GPTMTnILR**=0xC350 and the match value is **GPTMTnMATCHR**=0x411A.

**Figure 8-4. 16-Bit PWM Mode Example**



## 8.4 Initialization and Configuration

To use the general-purpose timers, the peripheral clock must be enabled by setting the **TIMER0**, **TIMER1**, and **TIMER2** bits in the **RCGC1** register.

This section shows module initialization and configuration examples for each of the supported timer modes.

### 8.4.1 32-Bit One-Shot/Periodic Timer Mode

The GPTM is configured for 32-bit One-Shot and Periodic modes by the following sequence:

1. Ensure the timer is disabled (the `TAEN` bit in the **GPTMCTL** register is cleared) before making any changes.
2. Write the **GPTM Configuration Register (GPTMCFG)** with a value of 0x0.
3. Set the `TAMR` field in the **GPTM TimerA Mode Register (GPTMTAMR)**:
  - a. Write a value of 0x1 for One-Shot mode.
  - b. Write a value of 0x2 for Periodic mode.
4. Load the start value into the **GPTM TimerA Interval Load Register (GPTMTAILR)**.
5. If interrupts are required, set the `TATOIM` bit in the **GPTM Interrupt Mask Register (GPTMIMR)**.
6. Set the `TAEN` bit in the **GPTMCTL** register to enable the timer and start counting.
7. Poll the `TATORIS` bit in the **GPTMRIS** register or wait for the interrupt to be generated (if enabled). In both cases, the status flags are cleared by writing a 1 to the `TATOCINT` bit of the **GPTM Interrupt Clear Register (GPTMICR)**.

In One-Shot mode, the timer stops counting after step 7 on page 275. To re-enable the timer, repeat the sequence. A timer configured in Periodic mode does not stop counting after it times out.

### 8.4.2 32-Bit Real-Time Clock (RTC) Mode

To use the RTC mode, the timer must have a 32.768-KHz input signal on an even CCP input. To enable the RTC feature, follow these steps:

1. Ensure the timer is disabled (the `TAEN` bit is cleared) before making any changes.
2. Write the **GPTM Configuration Register (GPTMCFG)** with a value of 0x1.
3. Write the desired match value to the **GPTM TimerA Match Register (GPTMTAMATCHR)**.
4. Set/clear the `RTCEN` bit in the **GPTM Control Register (GPTMCTL)** as desired.
5. If interrupts are required, set the `RTCIM` bit in the **GPTM Interrupt Mask Register (GPTMIMR)**.
6. Set the `TAEN` bit in the **GPTMCTL** register to enable the timer and start counting.

When the timer count equals the value in the **GPTMTAMATCHR** register, the GPTM asserts the `RTCRES` bit in the **GPTMRIS** register and continues counting until Timer A is disabled or a hardware reset. The interrupt is cleared by writing the `RTCCINT` bit in the **GPTMICR** register.

### 8.4.3 16-Bit One-Shot/Periodic Timer Mode

A timer is configured for 16-bit One-Shot and Periodic modes by the following sequence:

1. Ensure the timer is disabled (the `TnEN` bit is cleared) before making any changes.
2. Write the **GPTM Configuration Register (GPTMCFG)** with a value of 0x4.

3. Set the  $T_{nMR}$  field in the **GPTM Timer Mode (GPTMTnMR)** register:
  - a. Write a value of 0x1 for One-Shot mode.
  - b. Write a value of 0x2 for Periodic mode.
4. If a prescaler is to be used, write the prescale value to the **GPTM Timern Prescale Register (GPTMTnPR)**.
5. Load the start value into the **GPTM Timer Interval Load Register (GPTMTnILR)**.
6. If interrupts are required, set the  $T_{nTOIM}$  bit in the **GPTM Interrupt Mask Register (GPTMIMR)**.
7. Set the  $T_{nEN}$  bit in the **GPTM Control Register (GPTMCTL)** to enable the timer and start counting.
8. Poll the  $T_{nTORIS}$  bit in the **GPTMRIS** register or wait for the interrupt to be generated (if enabled). In both cases, the status flags are cleared by writing a 1 to the  $T_{nTOCINT}$  bit of the **GPTM Interrupt Clear Register (GPTMICR)**.

In One-Shot mode, the timer stops counting after step 8 on page 276. To re-enable the timer, repeat the sequence. A timer configured in Periodic mode does not stop counting after it times out.

#### 8.4.4 16-Bit Input Edge Count Mode

A timer is configured to Input Edge Count mode by the following sequence:

1. Ensure the timer is disabled (the  $T_{nEN}$  bit is cleared) before making any changes.
2. Write the **GPTM Configuration (GPTMCFG)** register with a value of 0x4.
3. In the **GPTM Timer Mode (GPTMTnMR)** register, write the  $T_{nCMR}$  field to 0x0 and the  $T_{nMR}$  field to 0x3.
4. Configure the type of event(s) that the timer captures by writing the  $T_{nEVENT}$  field of the **GPTM Control (GPTMCTL)** register.
5. Load the timer start value into the **GPTM Timern Interval Load (GPTMTnILR)** register.
6. Load the desired event count into the **GPTM Timern Match (GPTMTnMATCHR)** register.
7. If interrupts are required, set the  $C_{nMIM}$  bit in the **GPTM Interrupt Mask (GPTMIMR)** register.
8. Set the  $T_{nEN}$  bit in the **GPTMCTL** register to enable the timer and begin waiting for edge events.
9. Poll the  $C_{nMRIS}$  bit in the **GPTMRIS** register or wait for the interrupt to be generated (if enabled). In both cases, the status flags are cleared by writing a 1 to the  $C_{nMCINT}$  bit of the **GPTM Interrupt Clear (GPTMICR)** register.

In Input Edge Count Mode, the timer stops after the desired number of edge events has been detected. To re-enable the timer, ensure that the  $T_{nEN}$  bit is cleared and repeat step 4 on page 276 through step 9 on page 276.

#### 8.4.5 16-Bit Input Edge Timing Mode

A timer is configured to Input Edge Timing mode by the following sequence:

1. Ensure the timer is disabled (the  $TnEN$  bit is cleared) before making any changes.
2. Write the **GPTM Configuration (GPTMCFG)** register with a value of 0x4.
3. In the **GPTM Timer Mode (GPTMTnMR)** register, write the  $TnCMR$  field to 0x1 and the  $TnMR$  field to 0x3.
4. Configure the type of event that the timer captures by writing the  $TnEVENT$  field of the **GPTM Control (GPTMCTL)** register.
5. Load the timer start value into the **GPTM Timern Interval Load (GPTMTnILR)** register.
6. If interrupts are required, set the  $CnEIM$  bit in the **GPTM Interrupt Mask (GPTMIMR)** register.
7. Set the  $TnEN$  bit in the **GPTM Control (GPTMCTL)** register to enable the timer and start counting.
8. Poll the  $CnERIS$  bit in the **GPTMRIS** register or wait for the interrupt to be generated (if enabled). In both cases, the status flags are cleared by writing a 1 to the  $CnECINT$  bit of the **GPTM Interrupt Clear (GPTMICR)** register. The time at which the event happened can be obtained by reading the **GPTM Timern (GPTMTnR)** register.

In Input Edge Timing mode, the timer continues running after an edge event has been detected, but the timer interval can be changed at any time by writing the **GPTMTnILR** register. The change takes effect at the next cycle after the write.

#### 8.4.6 16-Bit PWM Mode

A timer is configured to PWM mode using the following sequence:

1. Ensure the timer is disabled (the  $TnEN$  bit is cleared) before making any changes.
2. Write the **GPTM Configuration (GPTMCFG)** register with a value of 0x4.
3. In the **GPTM Timer Mode (GPTMTnMR)** register, set the  $TnAMS$  bit to 0x1, the  $TnCMR$  bit to 0x0, and the  $TnMR$  field to 0x2.
4. Configure the output state of the PWM signal (whether or not it is inverted) in the  $TnPWML$  field of the **GPTM Control (GPTMCTL)** register.
5. Load the timer start value into the **GPTM Timern Interval Load (GPTMTnILR)** register.
6. Load the **GPTM Timern Match (GPTMTnMATCHR)** register with the desired value.
7. Set the  $TnEN$  bit in the **GPTM Control (GPTMCTL)** register to enable the timer and begin generation of the output PWM signal.

In PWM Timing mode, the timer continues running after the PWM signal has been generated. The PWM period can be adjusted at any time by writing the **GPTMTnILR** register, and the change takes effect at the next cycle after the write.

## 8.5 Register Map

Table 8-5 on page 278 lists the GPTM registers. The offset listed is a hexadecimal increment to the register's address, relative to that timer's base address:

- Timer0: 0x4003.0000

- Timer1: 0x4003.1000
- Timer2: 0x4003.2000

Note that the Timer module clock must be enabled before the registers can be programmed (see page 192). There must be a delay of 3 system clocks after the Timer module clock is enabled before any Timer module registers are accessed.

**Table 8-5. Timers Register Map**

| Offset | Name         | Type | Reset       | Description                  | See page |
|--------|--------------|------|-------------|------------------------------|----------|
| 0x000  | GPTMCFG      | R/W  | 0x0000.0000 | GPTM Configuration           | 279      |
| 0x004  | GPTMTAMR     | R/W  | 0x0000.0000 | GPTM TimerA Mode             | 280      |
| 0x008  | GPTMTBMR     | R/W  | 0x0000.0000 | GPTM TimerB Mode             | 282      |
| 0x00C  | GPTMCTL      | R/W  | 0x0000.0000 | GPTM Control                 | 284      |
| 0x018  | GPTMIMR      | R/W  | 0x0000.0000 | GPTM Interrupt Mask          | 287      |
| 0x01C  | GPTMRIS      | RO   | 0x0000.0000 | GPTM Raw Interrupt Status    | 289      |
| 0x020  | GPTMMIS      | RO   | 0x0000.0000 | GPTM Masked Interrupt Status | 290      |
| 0x024  | GPTMICR      | W1C  | 0x0000.0000 | GPTM Interrupt Clear         | 291      |
| 0x028  | GPTMTAILR    | R/W  | 0xFFFF.FFFF | GPTM TimerA Interval Load    | 293      |
| 0x02C  | GPTMTBILR    | R/W  | 0x0000.FFFF | GPTM TimerB Interval Load    | 294      |
| 0x030  | GPTMTAMATCHR | R/W  | 0xFFFF.FFFF | GPTM TimerA Match            | 295      |
| 0x034  | GPTMTBMATCHR | R/W  | 0x0000.FFFF | GPTM TimerB Match            | 296      |
| 0x038  | GPTMTAPR     | R/W  | 0x0000.0000 | GPTM TimerA Prescale         | 297      |
| 0x03C  | GPTMTBPR     | R/W  | 0x0000.0000 | GPTM TimerB Prescale         | 298      |
| 0x040  | GPTMTAPMR    | R/W  | 0x0000.0000 | GPTM TimerA Prescale Match   | 299      |
| 0x044  | GPTMTBPMR    | R/W  | 0x0000.0000 | GPTM TimerB Prescale Match   | 300      |
| 0x048  | GPTMTAR      | RO   | 0xFFFF.FFFF | GPTM TimerA                  | 301      |
| 0x04C  | GPTMTBR      | RO   | 0x0000.FFFF | GPTM TimerB                  | 302      |

## 8.6 Register Descriptions

The remainder of this section lists and describes the GPTM registers, in numerical order by address offset.

**Register 1: GPTM Configuration (GPTMCFG), offset 0x000**

This register configures the global operation of the GPTM module. The value written to this register determines whether the GPTM is in 32- or 16-bit mode.

**GPTM Configuration (GPTMCFG)**

Timer0 base: 0x4003.0000  
 Timer1 base: 0x4003.1000  
 Timer2 base: 0x4003.2000  
 Offset 0x000  
 Type R/W, reset 0x0000.0000

|       |          |    |    |    |    |    |    |    |    |    |    |    |    |         |     |     |     |
|-------|----------|----|----|----|----|----|----|----|----|----|----|----|----|---------|-----|-----|-----|
|       | 31       | 30 | 29 | 28 | 27 | 26 | 25 | 24 | 23 | 22 | 21 | 20 | 19 | 18      | 17  | 16  |     |
|       | reserved |    |    |    |    |    |    |    |    |    |    |    |    |         |     |     |     |
| Type  | RO       | RO | RO | RO | RO | RO | RO | RO | RO | RO | RO | RO | RO | RO      | RO  | RO  |     |
| Reset | 0        | 0  | 0  | 0  | 0  | 0  | 0  | 0  | 0  | 0  | 0  | 0  | 0  | 0       | 0   | 0   |     |
|       | 15       | 14 | 13 | 12 | 11 | 10 | 9  | 8  | 7  | 6  | 5  | 4  | 3  | 2       | 1   | 0   |     |
|       | reserved |    |    |    |    |    |    |    |    |    |    |    |    | GPTMCFG |     |     |     |
| Type  | RO       | RO | RO | RO | RO | RO | RO | RO | RO | RO | RO | RO | RO | RO      | R/W | R/W | R/W |
| Reset | 0        | 0  | 0  | 0  | 0  | 0  | 0  | 0  | 0  | 0  | 0  | 0  | 0  | 0       | 0   | 0   | 0   |

| Bit/Field | Name     | Type | Reset | Description   |
|-----------|----------|------|-------|---|
| 31:3      | reserved | RO   | 0x00  | Software should not rely on the value of a reserved bit. To provide compatibility with future products, the value of a reserved bit should be preserved across a read-modify-write operation. |

|     |         |     |     |                    |
|-----|---------|-----|-----|--------------------|
| 2:0 | GPTMCFG | R/W | 0x0 | GPTM Configuration |
|-----|---------|-----|-----|--------------------|

The GPTMCFG values are defined as follows:

| Value   | Description   |
|---------|---|
| 0x0     | 32-bit timer configuration.   |
| 0x1     | 32-bit real-time clock (RTC) counter configuration.   |
| 0x2     | Reserved  |
| 0x3     | Reserved  |
| 0x4-0x7 | 16-bit timer configuration, function is controlled by bits 1:0 of <b>GPTMTAMR</b> and <b>GPTMTBMR</b> . |

## Register 2: GPTM TimerA Mode (GPTMTAMR), offset 0x004

This register configures the GPTM based on the configuration selected in the **GPTMCFG** register. When in 16-bit PWM mode, set the **TAAMS** bit to 0x1, the **TACMR** bit to 0x0, and the **TAMR** field to 0x2.

### GPTM TimerA Mode (GPTMTAMR)

Timer0 base: 0x4003.0000  
 Timer1 base: 0x4003.1000  
 Timer2 base: 0x4003.2000  
 Offset 0x004  
 Type R/W, reset 0x0000.0000

|       |          |    |    |    |    |    |    |    |    |    |    |    |       |       |      |     |
|-------|----------|----|----|----|----|----|----|----|----|----|----|----|-------|-------|------|-----|
|       | 31       | 30 | 29 | 28 | 27 | 26 | 25 | 24 | 23 | 22 | 21 | 20 | 19    | 18    | 17   | 16  |
|       | reserved |    |    |    |    |    |    |    |    |    |    |    |       |       |      |     |
| Type  | RO       | RO | RO | RO | RO | RO | RO | RO | RO | RO | RO | RO | RO    | RO    | RO   | RO  |
| Reset | 0        | 0  | 0  | 0  | 0  | 0  | 0  | 0  | 0  | 0  | 0  | 0  | 0     | 0     | 0    | 0   |
|       | 15       | 14 | 13 | 12 | 11 | 10 | 9  | 8  | 7  | 6  | 5  | 4  | 3     | 2     | 1    | 0   |
|       | reserved |    |    |    |    |    |    |    |    |    |    |    | TAAMS | TACMR | TAMR |     |
| Type  | RO       | RO | RO | RO | RO | RO | RO | RO | RO | RO | RO | RO | R/W   | R/W   | R/W  | R/W |
| Reset | 0        | 0  | 0  | 0  | 0  | 0  | 0  | 0  | 0  | 0  | 0  | 0  | 0     | 0     | 0    | 0   |

| Bit/Field | Name                     | Type | Reset | Description   |       |             |   |                          |   |                      |
|-----------|--------------------------|------|-------|---|-------|-------------|---|--------------------------|---|----------------------|
| 31:4      | reserved                 | RO   | 0x00  | Software should not rely on the value of a reserved bit. To provide compatibility with future products, the value of a reserved bit should be preserved across a read-modify-write operation.   |       |             |   |                          |   |                      |
| 3         | TAAMS                    | R/W  | 0     | GPTM TimerA Alternate Mode Select<br>The <b>TAAMS</b> values are defined as follows:<br><br><table border="0"> <tr> <td>Value</td> <td>Description</td> </tr> <tr> <td>0</td> <td>Capture mode is enabled.</td> </tr> <tr> <td>1</td> <td>PWM mode is enabled.</td> </tr> </table> <p><b>Note:</b> To enable PWM mode, you must also clear the <b>TACMR</b> bit and set the <b>TAMR</b> field to 0x2.</p> | Value | Description | 0 | Capture mode is enabled. | 1 | PWM mode is enabled. |
| Value     | Description              |      |       |   |       |             |   |                          |   |                      |
| 0         | Capture mode is enabled. |      |       |   |       |             |   |                          |   |                      |
| 1         | PWM mode is enabled.     |      |       |   |       |             |   |                          |   |                      |
| 2         | TACMR                    | R/W  | 0     | GPTM TimerA Capture Mode<br>The <b>TACMR</b> values are defined as follows:<br><br><table border="0"> <tr> <td>Value</td> <td>Description</td> </tr> <tr> <td>0</td> <td>Edge-Count mode</td> </tr> <tr> <td>1</td> <td>Edge-Time mode</td> </tr> </table>  | Value | Description | 0 | Edge-Count mode          | 1 | Edge-Time mode       |
| Value     | Description              |      |       |   |       |             |   |                          |   |                      |
| 0         | Edge-Count mode          |      |       |   |       |             |   |                          |   |                      |
| 1         | Edge-Time mode           |      |       |   |       |             |   |                          |   |                      |

---

| Bit/Field | Name                | Type | Reset | Description  |       |             |     |          |     |                     |     |                     |     |              |
|-----------|---------------------|------|-------|--|-------|-------------|-----|----------|-----|---------------------|-----|---------------------|-----|--------------|
| 1:0       | TAMR                | R/W  | 0x0   | <p>GPTM TimerA Mode</p> <p>The <b>TAMR</b> values are defined as follows:</p> <table><thead><tr><th>Value</th><th>Description</th></tr></thead><tbody><tr><td>0x0</td><td>Reserved</td></tr><tr><td>0x1</td><td>One-Shot Timer mode</td></tr><tr><td>0x2</td><td>Periodic Timer mode</td></tr><tr><td>0x3</td><td>Capture mode</td></tr></tbody></table> <p>The Timer mode is based on the timer configuration defined by bits 2:0 in the <b>GPTMCFG</b> register (16-or 32-bit).</p> <p>In 16-bit timer configuration, <b>TAMR</b> controls the 16-bit timer modes for TimerA.</p> <p>In 32-bit timer configuration, this register controls the mode and the contents of <b>GPTMTBMR</b> are ignored.</p> | Value | Description | 0x0 | Reserved | 0x1 | One-Shot Timer mode | 0x2 | Periodic Timer mode | 0x3 | Capture mode |
| Value     | Description         |      |       |  |       |             |     |          |     |                     |     |                     |     |              |
| 0x0       | Reserved            |      |       |  |       |             |     |          |     |                     |     |                     |     |              |
| 0x1       | One-Shot Timer mode |      |       |  |       |             |     |          |     |                     |     |                     |     |              |
| 0x2       | Periodic Timer mode |      |       |  |       |             |     |          |     |                     |     |                     |     |              |
| 0x3       | Capture mode        |      |       |  |       |             |     |          |     |                     |     |                     |     |              |

### Register 3: GPTM TimerB Mode (GPTMTBMR), offset 0x008

This register configures the GPTM based on the configuration selected in the **GPTMCFG** register. When in 16-bit PWM mode, set the **TBAMS** bit to 0x1, the **TBCMR** bit to 0x0, and the **TBMR** field to 0x2.

#### GPTM TimerB Mode (GPTMTBMR)

Timer0 base: 0x4003.0000  
 Timer1 base: 0x4003.1000  
 Timer2 base: 0x4003.2000  
 Offset 0x008  
 Type R/W, reset 0x0000.0000

|       |          |    |    |    |    |    |    |    |    |    |    |    |       |       |      |     |
|-------|----------|----|----|----|----|----|----|----|----|----|----|----|-------|-------|------|-----|
|       | 31       | 30 | 29 | 28 | 27 | 26 | 25 | 24 | 23 | 22 | 21 | 20 | 19    | 18    | 17   | 16  |
|       | reserved |    |    |    |    |    |    |    |    |    |    |    |       |       |      |     |
| Type  | RO       | RO | RO | RO | RO | RO | RO | RO | RO | RO | RO | RO | RO    | RO    | RO   | RO  |
| Reset | 0        | 0  | 0  | 0  | 0  | 0  | 0  | 0  | 0  | 0  | 0  | 0  | 0     | 0     | 0    | 0   |
|       | 15       | 14 | 13 | 12 | 11 | 10 | 9  | 8  | 7  | 6  | 5  | 4  | 3     | 2     | 1    | 0   |
|       | reserved |    |    |    |    |    |    |    |    |    |    |    | TBAMS | TBCMR | TBMR |     |
| Type  | RO       | RO | RO | RO | RO | RO | RO | RO | RO | RO | RO | RO | R/W   | R/W   | R/W  | R/W |
| Reset | 0        | 0  | 0  | 0  | 0  | 0  | 0  | 0  | 0  | 0  | 0  | 0  | 0     | 0     | 0    | 0   |

| Bit/Field | Name                     | Type | Reset | Description   |       |             |   |                          |   |                      |
|-----------|--------------------------|------|-------|---|-------|-------------|---|--------------------------|---|----------------------|
| 31:4      | reserved                 | RO   | 0x00  | Software should not rely on the value of a reserved bit. To provide compatibility with future products, the value of a reserved bit should be preserved across a read-modify-write operation.   |       |             |   |                          |   |                      |
| 3         | TBAMS                    | R/W  | 0     | GPTM TimerB Alternate Mode Select<br>The <b>TBAMS</b> values are defined as follows:<br><br><table border="0"> <tr> <td>Value</td> <td>Description</td> </tr> <tr> <td>0</td> <td>Capture mode is enabled.</td> </tr> <tr> <td>1</td> <td>PWM mode is enabled.</td> </tr> </table> <p><b>Note:</b> To enable PWM mode, you must also clear the <b>TBCMR</b> bit and set the <b>TBMR</b> field to 0x2.</p> | Value | Description | 0 | Capture mode is enabled. | 1 | PWM mode is enabled. |
| Value     | Description              |      |       |   |       |             |   |                          |   |                      |
| 0         | Capture mode is enabled. |      |       |   |       |             |   |                          |   |                      |
| 1         | PWM mode is enabled.     |      |       |   |       |             |   |                          |   |                      |
| 2         | TBCMR                    | R/W  | 0     | GPTM TimerB Capture Mode<br>The <b>TBCMR</b> values are defined as follows:<br><br><table border="0"> <tr> <td>Value</td> <td>Description</td> </tr> <tr> <td>0</td> <td>Edge-Count mode</td> </tr> <tr> <td>1</td> <td>Edge-Time mode</td> </tr> </table>  | Value | Description | 0 | Edge-Count mode          | 1 | Edge-Time mode       |
| Value     | Description              |      |       |   |       |             |   |                          |   |                      |
| 0         | Edge-Count mode          |      |       |   |       |             |   |                          |   |                      |
| 1         | Edge-Time mode           |      |       |   |       |             |   |                          |   |                      |

---

| Bit/Field | Name                | Type | Reset | Description   |       |             |     |          |     |                     |     |                     |     |              |
|-----------|---------------------|------|-------|---|-------|-------------|-----|----------|-----|---------------------|-----|---------------------|-----|--------------|
| 1:0       | TBMR                | R/W  | 0x0   | <p>GPTM TimerB Mode</p> <p>The TBMR values are defined as follows:</p> <table><thead><tr><th>Value</th><th>Description</th></tr></thead><tbody><tr><td>0x0</td><td>Reserved</td></tr><tr><td>0x1</td><td>One-Shot Timer mode</td></tr><tr><td>0x2</td><td>Periodic Timer mode</td></tr><tr><td>0x3</td><td>Capture mode</td></tr></tbody></table> <p>The timer mode is based on the timer configuration defined by bits 2:0 in the <b>GPTMCFG</b> register.</p> <p>In 16-bit timer configuration, these bits control the 16-bit timer modes for TimerB.</p> <p>In 32-bit timer configuration, this register's contents are ignored and <b>GPTMTAMR</b> is used.</p> | Value | Description | 0x0 | Reserved | 0x1 | One-Shot Timer mode | 0x2 | Periodic Timer mode | 0x3 | Capture mode |
| Value     | Description         |      |       |   |       |             |     |          |     |                     |     |                     |     |              |
| 0x0       | Reserved            |      |       |   |       |             |     |          |     |                     |     |                     |     |              |
| 0x1       | One-Shot Timer mode |      |       |   |       |             |     |          |     |                     |     |                     |     |              |
| 0x2       | Periodic Timer mode |      |       |   |       |             |     |          |     |                     |     |                     |     |              |
| 0x3       | Capture mode        |      |       |   |       |             |     |          |     |                     |     |                     |     |              |

### Register 4: GPTM Control (GPTMCTL), offset 0x00C

This register is used alongside the **GPTMCFG** and **GMTMTnMR** registers to fine-tune the timer configuration, and to enable other features such as timer stall.

#### GPTM Control (GPTMCTL)

Timer0 base: 0x4003.0000  
 Timer1 base: 0x4003.1000  
 Timer2 base: 0x4003.2000  
 Offset 0x00C  
 Type R/W, reset 0x0000.0000

|       |          |        |          |          |         |         |      |          |        |          |       |         |         |      |     |     |
|-------|----------|--------|----------|----------|---------|---------|------|----------|--------|----------|-------|---------|---------|------|-----|-----|
|       | 31       | 30     | 29       | 28       | 27      | 26      | 25   | 24       | 23     | 22       | 21    | 20      | 19      | 18   | 17  | 16  |
|       | reserved |        |          |          |         |         |      |          |        |          |       |         |         |      |     |     |
| Type  | RO       | RO     | RO       | RO       | RO      | RO      | RO   | RO       | RO     | RO       | RO    | RO      | RO      | RO   | RO  | RO  |
| Reset | 0        | 0      | 0        | 0        | 0       | 0       | 0    | 0        | 0      | 0        | 0     | 0       | 0       | 0    | 0   | 0   |
|       | 15       | 14     | 13       | 12       | 11      | 10      | 9    | 8        | 7      | 6        | 5     | 4       | 3       | 2    | 1   | 0   |
|       | reserved | TBPWML | reserved | reserved | TBEVENT | TBSTALL | TBEN | reserved | TAPWML | reserved | RTCEN | TAEVENT | TASTALL | TAEN |     |     |
| Type  | RO       | R/W    | RO       | RO       | R/W     | R/W     | R/W  | R/W      | RO     | R/W      | RO    | R/W     | R/W     | R/W  | R/W | R/W |
| Reset | 0        | 0      | 0        | 0        | 0       | 0       | 0    | 0        | 0      | 0        | 0     | 0       | 0       | 0    | 0   | 0   |

| Bit/Field | Name     | Type | Reset | Description   |
|-----------|----------|------|-------|---|
| 31:15     | reserved | RO   | 0x00  | Software should not rely on the value of a reserved bit. To provide compatibility with future products, the value of a reserved bit should be preserved across a read-modify-write operation. |
| 14        | TBPWML   | R/W  | 0     | GPTM TimerB PWM Output Level<br>The TBPWML values are defined as follows:<br><br>Value Description<br>0 Output is unaffected.<br>1 Output is inverted.  |
| 13:12     | reserved | RO   | 0     | Software should not rely on the value of a reserved bit. To provide compatibility with future products, the value of a reserved bit should be preserved across a read-modify-write operation. |
| 11:10     | TBEVENT  | R/W  | 0x0   | GPTM TimerB Event Mode<br>The TBEVENT values are defined as follows:<br><br>Value Description<br>0x0 Positive edge<br>0x1 Negative edge<br>0x2 Reserved<br>0x3 Both edges                     |

| Bit/Field | Name  | Type | Reset | Description  |       |             |     |   |     |   |     |          |     |            |
|-----------|---|------|-------|--|-------|-------------|-----|---|-----|---|-----|----------|-----|------------|
| 9         | TBSTALL   | R/W  | 0     | <p>GPTM Timer B Stall Enable</p> <p>The <code>TBSTALL</code> values are defined as follows:</p> <table border="1"> <thead> <tr> <th>Value</th> <th>Description</th> </tr> </thead> <tbody> <tr> <td>0</td> <td>Timer B continues counting while the processor is halted by the debugger.</td> </tr> <tr> <td>1</td> <td>Timer B freezes counting while the processor is halted by the debugger.</td> </tr> </tbody> </table> <p>If the processor is executing normally, the <code>TBSTALL</code> bit is ignored.</p> | Value | Description | 0   | Timer B continues counting while the processor is halted by the debugger. | 1   | Timer B freezes counting while the processor is halted by the debugger.   |     |          |     |            |
| Value     | Description   |      |       |  |       |             |     |   |     |   |     |          |     |            |
| 0         | Timer B continues counting while the processor is halted by the debugger.   |      |       |  |       |             |     |   |     |   |     |          |     |            |
| 1         | Timer B freezes counting while the processor is halted by the debugger.   |      |       |  |       |             |     |   |     |   |     |          |     |            |
| 8         | TBEN  | R/W  | 0     | <p>GPTM TimerB Enable</p> <p>The <code>TBEN</code> values are defined as follows:</p> <table border="1"> <thead> <tr> <th>Value</th> <th>Description</th> </tr> </thead> <tbody> <tr> <td>0</td> <td>TimerB is disabled.</td> </tr> <tr> <td>1</td> <td>TimerB is enabled and begins counting or the capture logic is enabled based on the <code>GPTMCFG</code> register.</td> </tr> </tbody> </table>   | Value | Description | 0   | TimerB is disabled.   | 1   | TimerB is enabled and begins counting or the capture logic is enabled based on the <code>GPTMCFG</code> register. |     |          |     |            |
| Value     | Description   |      |       |  |       |             |     |   |     |   |     |          |     |            |
| 0         | TimerB is disabled.   |      |       |  |       |             |     |   |     |   |     |          |     |            |
| 1         | TimerB is enabled and begins counting or the capture logic is enabled based on the <code>GPTMCFG</code> register. |      |       |  |       |             |     |   |     |   |     |          |     |            |
| 7         | reserved  | RO   | 0     | Software should not rely on the value of a reserved bit. To provide compatibility with future products, the value of a reserved bit should be preserved across a read-modify-write operation.  |       |             |     |   |     |   |     |          |     |            |
| 6         | TAPWML  | R/W  | 0     | <p>GPTM TimerA PWM Output Level</p> <p>The <code>TAPWML</code> values are defined as follows:</p> <table border="1"> <thead> <tr> <th>Value</th> <th>Description</th> </tr> </thead> <tbody> <tr> <td>0</td> <td>Output is unaffected.</td> </tr> <tr> <td>1</td> <td>Output is inverted.</td> </tr> </tbody> </table>   | Value | Description | 0   | Output is unaffected.   | 1   | Output is inverted.   |     |          |     |            |
| Value     | Description   |      |       |  |       |             |     |   |     |   |     |          |     |            |
| 0         | Output is unaffected.   |      |       |  |       |             |     |   |     |   |     |          |     |            |
| 1         | Output is inverted.   |      |       |  |       |             |     |   |     |   |     |          |     |            |
| 5         | reserved  | RO   | 0     | Software should not rely on the value of a reserved bit. To provide compatibility with future products, the value of a reserved bit should be preserved across a read-modify-write operation.  |       |             |     |   |     |   |     |          |     |            |
| 4         | RTCEN   | R/W  | 0     | <p>GPTM RTC Enable</p> <p>The <code>RTCEN</code> values are defined as follows:</p> <table border="1"> <thead> <tr> <th>Value</th> <th>Description</th> </tr> </thead> <tbody> <tr> <td>0</td> <td>RTC counting is disabled.</td> </tr> <tr> <td>1</td> <td>RTC counting is enabled.</td> </tr> </tbody> </table>  | Value | Description | 0   | RTC counting is disabled.   | 1   | RTC counting is enabled.  |     |          |     |            |
| Value     | Description   |      |       |  |       |             |     |   |     |   |     |          |     |            |
| 0         | RTC counting is disabled.   |      |       |  |       |             |     |   |     |   |     |          |     |            |
| 1         | RTC counting is enabled.  |      |       |  |       |             |     |   |     |   |     |          |     |            |
| 3:2       | TAEVENT   | R/W  | 0x0   | <p>GPTM TimerA Event Mode</p> <p>The <code>TAEVENT</code> values are defined as follows:</p> <table border="1"> <thead> <tr> <th>Value</th> <th>Description</th> </tr> </thead> <tbody> <tr> <td>0x0</td> <td>Positive edge</td> </tr> <tr> <td>0x1</td> <td>Negative edge</td> </tr> <tr> <td>0x2</td> <td>Reserved</td> </tr> <tr> <td>0x3</td> <td>Both edges</td> </tr> </tbody> </table>  | Value | Description | 0x0 | Positive edge   | 0x1 | Negative edge   | 0x2 | Reserved | 0x3 | Both edges |
| Value     | Description   |      |       |  |       |             |     |   |     |   |     |          |     |            |
| 0x0       | Positive edge   |      |       |  |       |             |     |   |     |   |     |          |     |            |
| 0x1       | Negative edge   |      |       |  |       |             |     |   |     |   |     |          |     |            |
| 0x2       | Reserved  |      |       |  |       |             |     |   |     |   |     |          |     |            |
| 0x3       | Both edges  |      |       |  |       |             |     |   |     |   |     |          |     |            |

| Bit/Field | Name  | Type | Reset | Description  |       |             |   |   |   |   |
|-----------|---|------|-------|--|-------|-------------|---|---|---|---|
| 1         | TASTALL   | R/W  | 0     | <p>GPTM Timer A Stall Enable</p> <p>The TASTALL values are defined as follows:</p> <table><thead><tr><th>Value</th><th>Description</th></tr></thead><tbody><tr><td>0</td><td>Timer A continues counting while the processor is halted by the debugger.</td></tr><tr><td>1</td><td>Timer A freezes counting while the processor is halted by the debugger.</td></tr></tbody></table> <p>If the processor is executing normally, the TASTALL bit is ignored.</p> | Value | Description | 0 | Timer A continues counting while the processor is halted by the debugger. | 1 | Timer A freezes counting while the processor is halted by the debugger.                                     |
| Value     | Description   |      |       |  |       |             |   |   |   |   |
| 0         | Timer A continues counting while the processor is halted by the debugger.                                   |      |       |  |       |             |   |   |   |   |
| 1         | Timer A freezes counting while the processor is halted by the debugger.                                     |      |       |  |       |             |   |   |   |   |
| 0         | TAEN  | R/W  | 0     | <p>GPTM TimerA Enable</p> <p>The TAEN values are defined as follows:</p> <table><thead><tr><th>Value</th><th>Description</th></tr></thead><tbody><tr><td>0</td><td>TimerA is disabled.</td></tr><tr><td>1</td><td>TimerA is enabled and begins counting or the capture logic is enabled based on the <b>GPTMCFG</b> register.</td></tr></tbody></table>  | Value | Description | 0 | TimerA is disabled.   | 1 | TimerA is enabled and begins counting or the capture logic is enabled based on the <b>GPTMCFG</b> register. |
| Value     | Description   |      |       |  |       |             |   |   |   |   |
| 0         | TimerA is disabled.   |      |       |  |       |             |   |   |   |   |
| 1         | TimerA is enabled and begins counting or the capture logic is enabled based on the <b>GPTMCFG</b> register. |      |       |  |       |             |   |   |   |   |

## Register 5: GPTM Interrupt Mask (GPTMIMR), offset 0x018

This register allows software to enable/disable GPTM controller-level interrupts. Writing a 1 enables the interrupt, while writing a 0 disables it.

### GPTM Interrupt Mask (GPTMIMR)

Timer0 base: 0x4003.0000  
 Timer1 base: 0x4003.1000  
 Timer2 base: 0x4003.2000  
 Offset 0x018  
 Type R/W, reset 0x0000.0000

|       |          |    |    |    |    |       |       |        |          |    |    |    |       |       |       |        |
|-------|----------|----|----|----|----|-------|-------|--------|----------|----|----|----|-------|-------|-------|--------|
|       | 31       | 30 | 29 | 28 | 27 | 26    | 25    | 24     | 23       | 22 | 21 | 20 | 19    | 18    | 17    | 16     |
|       | reserved |    |    |    |    |       |       |        |          |    |    |    |       |       |       |        |
| Type  | RO       | RO | RO | RO | RO | RO    | RO    | RO     | RO       | RO | RO | RO | RO    | RO    | RO    | RO     |
| Reset | 0        | 0  | 0  | 0  | 0  | 0     | 0     | 0      | 0        | 0  | 0  | 0  | 0     | 0     | 0     | 0      |
|       | 15       | 14 | 13 | 12 | 11 | 10    | 9     | 8      | 7        | 6  | 5  | 4  | 3     | 2     | 1     | 0      |
|       | reserved |    |    |    |    | CBEIM | CBMIM | TBTOIM | reserved |    |    |    | RTCIM | CAEIM | CAMIM | TATOIM |
| Type  | RO       | RO | RO | RO | RO | R/W   | R/W   | R/W    | RO       | RO | RO | RO | R/W   | R/W   | R/W   | R/W    |
| Reset | 0        | 0  | 0  | 0  | 0  | 0     | 0     | 0      | 0        | 0  | 0  | 0  | 0     | 0     | 0     | 0      |

| Bit/Field | Name     | Type | Reset | Description   |
|-----------|----------|------|-------|---|
| 31:11     | reserved | RO   | 0x00  | Software should not rely on the value of a reserved bit. To provide compatibility with future products, the value of a reserved bit should be preserved across a read-modify-write operation. |
| 10        | CBEIM    | R/W  | 0     | GPTM CaptureB Event Interrupt Mask<br>The CBEIM values are defined as follows:<br><br>Value Description<br>0 Interrupt is disabled.<br>1 Interrupt is enabled.                                |
| 9         | CBMIM    | R/W  | 0     | GPTM CaptureB Match Interrupt Mask<br>The CBMIM values are defined as follows:<br><br>Value Description<br>0 Interrupt is disabled.<br>1 Interrupt is enabled.                                |
| 8         | TBTOIM   | R/W  | 0     | GPTM TimerB Time-Out Interrupt Mask<br>The TBTOIM values are defined as follows:<br><br>Value Description<br>0 Interrupt is disabled.<br>1 Interrupt is enabled.                              |
| 7:4       | reserved | RO   | 0     | Software should not rely on the value of a reserved bit. To provide compatibility with future products, the value of a reserved bit should be preserved across a read-modify-write operation. |

| Bit/Field | Name   | Type | Reset | Description  |
|-----------|--------|------|-------|--|
| 3         | RTCIM  | R/W  | 0     | GPTM RTC Interrupt Mask<br>The RTCIM values are defined as follows:<br><br>Value Description<br>0 Interrupt is disabled.<br>1 Interrupt is enabled.              |
| 2         | CAEIM  | R/W  | 0     | GPTM CaptureA Event Interrupt Mask<br>The CAEIM values are defined as follows:<br><br>Value Description<br>0 Interrupt is disabled.<br>1 Interrupt is enabled.   |
| 1         | CAMIM  | R/W  | 0     | GPTM CaptureA Match Interrupt Mask<br>The CAMIM values are defined as follows:<br><br>Value Description<br>0 Interrupt is disabled.<br>1 Interrupt is enabled.   |
| 0         | TATOIM | R/W  | 0     | GPTM TimerA Time-Out Interrupt Mask<br>The TATOIM values are defined as follows:<br><br>Value Description<br>0 Interrupt is disabled.<br>1 Interrupt is enabled. |

## Register 6: GPTM Raw Interrupt Status (GPTMRIS), offset 0x01C

This register shows the state of the GPTM's internal interrupt signal. These bits are set whether or not the interrupt is masked in the **GPTMIMR** register. Each bit can be cleared by writing a 1 to its corresponding bit in **GPTMICR**.

### GPTM Raw Interrupt Status (GPTMRIS)

Timer0 base: 0x4003.0000  
 Timer1 base: 0x4003.1000  
 Timer2 base: 0x4003.2000  
 Offset 0x01C  
 Type RO, reset 0x0000.0000

|       |          |    |    |    |    |        |        |         |          |    |    |    |        |        |        |         |
|-------|----------|----|----|----|----|--------|--------|---------|----------|----|----|----|--------|--------|--------|---------|
|       | 31       | 30 | 29 | 28 | 27 | 26     | 25     | 24      | 23       | 22 | 21 | 20 | 19     | 18     | 17     | 16      |
|       | reserved |    |    |    |    |        |        |         |          |    |    |    |        |        |        |         |
| Type  | RO       | RO | RO | RO | RO | RO     | RO     | RO      | RO       | RO | RO | RO | RO     | RO     | RO     | RO      |
| Reset | 0        | 0  | 0  | 0  | 0  | 0      | 0      | 0       | 0        | 0  | 0  | 0  | 0      | 0      | 0      | 0       |
|       | 15       | 14 | 13 | 12 | 11 | 10     | 9      | 8       | 7        | 6  | 5  | 4  | 3      | 2      | 1      | 0       |
|       | reserved |    |    |    |    | CBERIS | CBMRIS | TBTORIS | reserved |    |    |    | RTCRIS | CAERIS | CAMRIS | TATORIS |
| Type  | RO       | RO | RO | RO | RO | RO     | RO     | RO      | RO       | RO | RO | RO | RO     | RO     | RO     | RO      |
| Reset | 0        | 0  | 0  | 0  | 0  | 0      | 0      | 0       | 0        | 0  | 0  | 0  | 0      | 0      | 0      | 0       |

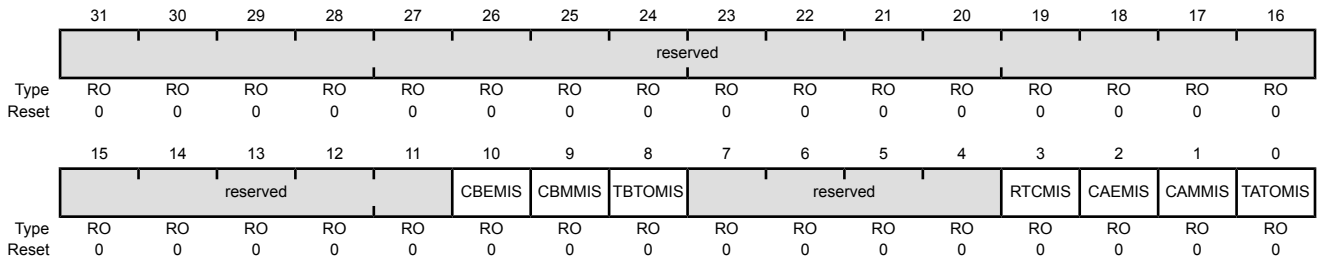
| Bit/Field | Name     | Type | Reset | Description   |
|-----------|----------|------|-------|---|
| 31:11     | reserved | RO   | 0x00  | Software should not rely on the value of a reserved bit. To provide compatibility with future products, the value of a reserved bit should be preserved across a read-modify-write operation. |
| 10        | CBERIS   | RO   | 0     | GPTM CaptureB Event Raw Interrupt<br>This is the CaptureB Event interrupt status prior to masking.  |
| 9         | CBMRIS   | RO   | 0     | GPTM CaptureB Match Raw Interrupt<br>This is the CaptureB Match interrupt status prior to masking.  |
| 8         | TBTORIS  | RO   | 0     | GPTM TimerB Time-Out Raw Interrupt<br>This is the TimerB time-out interrupt status prior to masking.  |
| 7:4       | reserved | RO   | 0x0   | Software should not rely on the value of a reserved bit. To provide compatibility with future products, the value of a reserved bit should be preserved across a read-modify-write operation. |
| 3         | RTCRIS   | RO   | 0     | GPTM RTC Raw Interrupt<br>This is the RTC Event interrupt status prior to masking.  |
| 2         | CAERIS   | RO   | 0     | GPTM CaptureA Event Raw Interrupt<br>This is the CaptureA Event interrupt status prior to masking.  |
| 1         | CAMRIS   | RO   | 0     | GPTM CaptureA Match Raw Interrupt<br>This is the CaptureA Match interrupt status prior to masking.  |
| 0         | TATORIS  | RO   | 0     | GPTM TimerA Time-Out Raw Interrupt<br>This the TimerA time-out interrupt status prior to masking.   |

### Register 7: GPTM Masked Interrupt Status (GPTMMIS), offset 0x020

This register show the state of the GPTM's controller-level interrupt. If an interrupt is unmasked in **GPTMIMR**, and there is an event that causes the interrupt to be asserted, the corresponding bit is set in this register. All bits are cleared by writing a 1 to the corresponding bit in **GPTMICR**.

#### GPTM Masked Interrupt Status (GPTMMIS)

Timer0 base: 0x4003.0000  
 Timer1 base: 0x4003.1000  
 Timer2 base: 0x4003.2000  
 Offset 0x020  
 Type RO, reset 0x0000.0000



| Bit/Field | Name     | Type | Reset | Description   |
|-----------|----------|------|-------|---|
| 31:11     | reserved | RO   | 0x00  | Software should not rely on the value of a reserved bit. To provide compatibility with future products, the value of a reserved bit should be preserved across a read-modify-write operation. |
| 10        | CBEMIS   | RO   | 0     | GPTM CaptureB Event Masked Interrupt<br>This is the CaptureB event interrupt status after masking.  |
| 9         | CBMMIS   | RO   | 0     | GPTM CaptureB Match Masked Interrupt<br>This is the CaptureB match interrupt status after masking.  |
| 8         | TBTOMIS  | RO   | 0     | GPTM TimerB Time-Out Masked Interrupt<br>This is the TimerB time-out interrupt status after masking.  |
| 7:4       | reserved | RO   | 0x0   | Software should not rely on the value of a reserved bit. To provide compatibility with future products, the value of a reserved bit should be preserved across a read-modify-write operation. |
| 3         | RTCMIS   | RO   | 0     | GPTM RTC Masked Interrupt<br>This is the RTC event interrupt status after masking.  |
| 2         | CAEMIS   | RO   | 0     | GPTM CaptureA Event Masked Interrupt<br>This is the CaptureA event interrupt status after masking.  |
| 1         | CAMMIS   | RO   | 0     | GPTM CaptureA Match Masked Interrupt<br>This is the CaptureA match interrupt status after masking.  |
| 0         | TATOMIS  | RO   | 0     | GPTM TimerA Time-Out Masked Interrupt<br>This is the TimerA time-out interrupt status after masking.  |

## Register 8: GPTM Interrupt Clear (GPTMICR), offset 0x024

This register is used to clear the status bits in the **GPTMRIS** and **GPTMMIS** registers. Writing a 1 to a bit clears the corresponding bit in the **GPTMRIS** and **GPTMMIS** registers.

### GPTM Interrupt Clear (GPTMICR)

Timer0 base: 0x4003.0000  
 Timer1 base: 0x4003.1000  
 Timer2 base: 0x4003.2000  
 Offset 0x024  
 Type W1C, reset 0x0000.0000

|       |          |    |    |    |    |         |         |          |          |    |    |    |     |         |         |         |          |
|-------|----------|----|----|----|----|---------|---------|----------|----------|----|----|----|-----|---------|---------|---------|----------|
|       | 31       | 30 | 29 | 28 | 27 | 26      | 25      | 24       | 23       | 22 | 21 | 20 | 19  | 18      | 17      | 16      |          |
|       | reserved |    |    |    |    |         |         |          |          |    |    |    |     |         |         |         |          |
| Type  | RO       | RO | RO | RO | RO | RO      | RO      | RO       | RO       | RO | RO | RO | RO  | RO      | RO      | RO      |          |
| Reset | 0        | 0  | 0  | 0  | 0  | 0       | 0       | 0        | 0        | 0  | 0  | 0  | 0   | 0       | 0       | 0       |          |
|       | 15       | 14 | 13 | 12 | 11 | 10      | 9       | 8        | 7        | 6  | 5  | 4  | 3   | 2       | 1       | 0       |          |
|       | reserved |    |    |    |    | CBECINT | CBMCINT | TBTOCINT | reserved |    |    |    |     | RTCCINT | CAECINT | CAMCINT | TATOCINT |
| Type  | RO       | RO | RO | RO | RO | W1C     | W1C     | W1C      | RO       | RO | RO | RO | W1C | W1C     | W1C     | W1C     |          |
| Reset | 0        | 0  | 0  | 0  | 0  | 0       | 0       | 0        | 0        | 0  | 0  | 0  | 0   | 0       | 0       | 0       |          |

| Bit/Field | Name     | Type | Reset | Description   |
|-----------|----------|------|-------|---|
| 31:11     | reserved | RO   | 0x00  | Software should not rely on the value of a reserved bit. To provide compatibility with future products, the value of a reserved bit should be preserved across a read-modify-write operation. |
| 10        | CBECINT  | W1C  | 0     | GPTM CaptureB Event Interrupt Clear<br>The <b>CBECINT</b> values are defined as follows:<br><br>Value Description<br>0 The interrupt is unaffected.<br>1 The interrupt is cleared.            |
| 9         | CBMCINT  | W1C  | 0     | GPTM CaptureB Match Interrupt Clear<br>The <b>CBMCINT</b> values are defined as follows:<br><br>Value Description<br>0 The interrupt is unaffected.<br>1 The interrupt is cleared.            |
| 8         | TBTOCINT | W1C  | 0     | GPTM TimerB Time-Out Interrupt Clear<br>The <b>TBTOCINT</b> values are defined as follows:<br><br>Value Description<br>0 The interrupt is unaffected.<br>1 The interrupt is cleared.          |
| 7:4       | reserved | RO   | 0x0   | Software should not rely on the value of a reserved bit. To provide compatibility with future products, the value of a reserved bit should be preserved across a read-modify-write operation. |

| Bit/Field | Name     | Type | Reset | Description   |
|-----------|----------|------|-------|---|
| 3         | RTCCINT  | W1C  | 0     | GPTM RTC Interrupt Clear<br>The RTCCINT values are defined as follows:<br><br>Value Description<br>0 The interrupt is unaffected.<br>1 The interrupt is cleared.              |
| 2         | CAECINT  | W1C  | 0     | GPTM CaptureA Event Interrupt Clear<br>The CAECINT values are defined as follows:<br><br>Value Description<br>0 The interrupt is unaffected.<br>1 The interrupt is cleared.   |
| 1         | CAMCINT  | W1C  | 0     | GPTM CaptureA Match Interrupt Clear<br>The CAMCINT values are defined as follows:<br><br>Value Description<br>0 The interrupt is unaffected.<br>1 The interrupt is cleared.   |
| 0         | TATOCINT | W1C  | 0     | GPTM TimerA Time-Out Interrupt Clear<br>The TATOCINT values are defined as follows:<br><br>Value Description<br>0 The interrupt is unaffected.<br>1 The interrupt is cleared. |

## Register 9: GPTM TimerA Interval Load (GPTMTAILR), offset 0x028

This register is used to load the starting count value into the timer. When GPTM is configured to one of the 32-bit modes, **GPTMTAILR** appears as a 32-bit register (the upper 16-bits correspond to the contents of the **GPTM TimerB Interval Load (GPTMTBILR)** register). In 16-bit mode, the upper 16 bits of this register read as 0s and have no effect on the state of **GPTMTBILR**.

### GPTM TimerA Interval Load (GPTMTAILR)

Timer0 base: 0x4003.0000  
 Timer1 base: 0x4003.1000  
 Timer2 base: 0x4003.2000  
 Offset 0x028  
 Type R/W, reset 0xFFFF.FFFF

|       |        |     |     |     |     |     |     |     |     |     |     |     |     |     |     |     |
|-------|--------|-----|-----|-----|-----|-----|-----|-----|-----|-----|-----|-----|-----|-----|-----|-----|
|       | 31     | 30  | 29  | 28  | 27  | 26  | 25  | 24  | 23  | 22  | 21  | 20  | 19  | 18  | 17  | 16  |
|       | TAILRH |     |     |     |     |     |     |     |     |     |     |     |     |     |     |     |
| Type  | R/W    | R/W | R/W | R/W | R/W | R/W | R/W | R/W | R/W | R/W | R/W | R/W | R/W | R/W | R/W | R/W |
| Reset | 1      | 1   | 1   | 1   | 1   | 1   | 1   | 1   | 1   | 1   | 1   | 1   | 1   | 1   | 1   | 1   |
|       | 15     | 14  | 13  | 12  | 11  | 10  | 9   | 8   | 7   | 6   | 5   | 4   | 3   | 2   | 1   | 0   |
|       | TAILRL |     |     |     |     |     |     |     |     |     |     |     |     |     |     |     |
| Type  | R/W    | R/W | R/W | R/W | R/W | R/W | R/W | R/W | R/W | R/W | R/W | R/W | R/W | R/W | R/W | R/W |
| Reset | 1      | 1   | 1   | 1   | 1   | 1   | 1   | 1   | 1   | 1   | 1   | 1   | 1   | 1   | 1   | 1   |

| Bit/Field | Name   | Type | Reset  | Description   |
|-----------|--------|------|--------|---|
| 31:16     | TAILRH | R/W  | 0xFFFF | GPTM TimerA Interval Load Register High<br>When configured for 32-bit mode via the <b>GPTMCFG</b> register, the <b>GPTM TimerB Interval Load (GPTMTBILR)</b> register loads this value on a write. A read returns the current value of <b>GPTMTBILR</b> .<br>In 16-bit mode, this field reads as 0 and does not have an effect on the state of <b>GPTMTBILR</b> . |
| 15:0      | TAILRL | R/W  | 0xFFFF | GPTM TimerA Interval Load Register Low<br>For both 16- and 32-bit modes, writing this field loads the counter for TimerA. A read returns the current value of <b>GPTMTAILR</b> .  |

### Register 10: GPTM TimerB Interval Load (GPTMTBILR), offset 0x02C

This register is used to load the starting count value into TimerB. When the GPTM is configured to a 32-bit mode, **GPTMTBILR** returns the current value of TimerB and ignores writes.

#### GPTM TimerB Interval Load (GPTMTBILR)

Timer0 base: 0x4003.0000  
 Timer1 base: 0x4003.1000  
 Timer2 base: 0x4003.2000  
 Offset 0x02C  
 Type R/W, reset 0x0000.FFFF

|       |          |     |     |     |     |     |     |     |     |     |     |     |     |     |     |     |
|-------|----------|-----|-----|-----|-----|-----|-----|-----|-----|-----|-----|-----|-----|-----|-----|-----|
|       | 31       | 30  | 29  | 28  | 27  | 26  | 25  | 24  | 23  | 22  | 21  | 20  | 19  | 18  | 17  | 16  |
|       | reserved |     |     |     |     |     |     |     |     |     |     |     |     |     |     |     |
| Type  | RO       | RO  | RO  | RO  | RO  | RO  | RO  | RO  | RO  | RO  | RO  | RO  | RO  | RO  | RO  | RO  |
| Reset | 0        | 0   | 0   | 0   | 0   | 0   | 0   | 0   | 0   | 0   | 0   | 0   | 0   | 0   | 0   | 0   |
|       | 15       | 14  | 13  | 12  | 11  | 10  | 9   | 8   | 7   | 6   | 5   | 4   | 3   | 2   | 1   | 0   |
|       | TBILRL   |     |     |     |     |     |     |     |     |     |     |     |     |     |     |     |
| Type  | R/W      | R/W | R/W | R/W | R/W | R/W | R/W | R/W | R/W | R/W | R/W | R/W | R/W | R/W | R/W | R/W |
| Reset | 1        | 1   | 1   | 1   | 1   | 1   | 1   | 1   | 1   | 1   | 1   | 1   | 1   | 1   | 1   | 1   |

| Bit/Field | Name     | Type | Reset  | Description  |
|-----------|----------|------|--------|--|
| 31:16     | reserved | RO   | 0x0000 | Software should not rely on the value of a reserved bit. To provide compatibility with future products, the value of a reserved bit should be preserved across a read-modify-write operation.  |
| 15:0      | TBILRL   | R/W  | 0xFFFF | GPTM TimerB Interval Load Register<br>When the GPTM is not configured as a 32-bit timer, a write to this field updates <b>GPTMTBILR</b> . In 32-bit mode, writes are ignored, and reads return the current value of <b>GPTMTBILR</b> . |

**Register 11: GPTM TimerA Match (GPTMTAMATCHR), offset 0x030**

This register is used in 32-bit Real-Time Clock mode and 16-bit PWM and Input Edge Count modes.

**GPTM TimerA Match (GPTMTAMATCHR)**

Timer0 base: 0x4003.0000  
 Timer1 base: 0x4003.1000  
 Timer2 base: 0x4003.2000  
 Offset 0x030  
 Type R/W, reset 0xFFFF.FFFF

|       |       |     |     |     |     |     |     |     |     |     |     |     |     |     |     |     |
|-------|-------|-----|-----|-----|-----|-----|-----|-----|-----|-----|-----|-----|-----|-----|-----|-----|
|       | 31    | 30  | 29  | 28  | 27  | 26  | 25  | 24  | 23  | 22  | 21  | 20  | 19  | 18  | 17  | 16  |
|       | TAMRH |     |     |     |     |     |     |     |     |     |     |     |     |     |     |     |
| Type  | R/W   | R/W | R/W | R/W | R/W | R/W | R/W | R/W | R/W | R/W | R/W | R/W | R/W | R/W | R/W | R/W |
| Reset | 1     | 1   | 1   | 1   | 1   | 1   | 1   | 1   | 1   | 1   | 1   | 1   | 1   | 1   | 1   | 1   |
|       | 15    | 14  | 13  | 12  | 11  | 10  | 9   | 8   | 7   | 6   | 5   | 4   | 3   | 2   | 1   | 0   |
|       | TAMRL |     |     |     |     |     |     |     |     |     |     |     |     |     |     |     |
| Type  | R/W   | R/W | R/W | R/W | R/W | R/W | R/W | R/W | R/W | R/W | R/W | R/W | R/W | R/W | R/W | R/W |
| Reset | 1     | 1   | 1   | 1   | 1   | 1   | 1   | 1   | 1   | 1   | 1   | 1   | 1   | 1   | 1   | 1   |

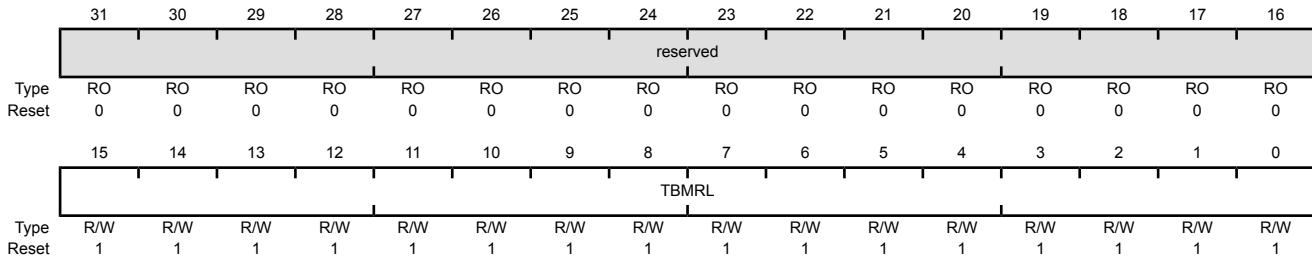
| Bit/Field | Name  | Type | Reset  | Description  |
|-----------|-------|------|--------|--|
| 31:16     | TAMRH | R/W  | 0xFFFF | <p>GPTM TimerA Match Register High</p> <p>When configured for 32-bit Real-Time Clock (RTC) mode via the <b>GPTMCFG</b> register, this value is compared to the upper half of <b>GPTMTAR</b>, to determine match events.</p> <p>In 16-bit mode, this field reads as 0 and does not have an effect on the state of <b>GPTMTBMATCHR</b>.</p>  |
| 15:0      | TAMRL | R/W  | 0xFFFF | <p>GPTM TimerA Match Register Low</p> <p>When configured for 32-bit Real-Time Clock (RTC) mode via the <b>GPTMCFG</b> register, this value is compared to the lower half of <b>GPTMTAR</b>, to determine match events.</p> <p>When configured for PWM mode, this value along with <b>GPTMTAILR</b>, determines the duty cycle of the output PWM signal.</p> <p>When configured for Edge Count mode, this value along with <b>GPTMTAILR</b>, determines how many edge events are counted. The total number of edge events counted is equal to the value in <b>GPTMTAILR</b> minus this value.</p> |

## Register 12: GPTM TimerB Match (GPTMTBMATCHR), offset 0x034

This register is used in 16-bit PWM and Input Edge Count modes.

### GPTM TimerB Match (GPTMTBMATCHR)

Timer0 base: 0x4003.0000  
 Timer1 base: 0x4003.1000  
 Timer2 base: 0x4003.2000  
 Offset 0x034  
 Type R/W, reset 0x0000.FFFF



| Bit/Field | Name     | Type | Reset  | Description  |
|-----------|----------|------|--------|--|
| 31:16     | reserved | RO   | 0x0000 | Software should not rely on the value of a reserved bit. To provide compatibility with future products, the value of a reserved bit should be preserved across a read-modify-write operation.  |
| 15:0      | TBMRL    | R/W  | 0xFFFF | GPTM TimerB Match Register Low<br>When configured for PWM mode, this value along with <b>GPTMTBILR</b> , determines the duty cycle of the output PWM signal.<br>When configured for Edge Count mode, this value along with <b>GPTMTBILR</b> , determines how many edge events are counted. The total number of edge events counted is equal to the value in <b>GPTMTBILR</b> minus this value. |

**Register 13: GPTM TimerA Prescale (GPTMTAPR), offset 0x038**

This register allows software to extend the range of the 16-bit timers when operating in one-shot or periodic mode.

**GPTM TimerA Prescale (GPTMTAPR)**

Timer0 base: 0x4003.0000  
 Timer1 base: 0x4003.1000  
 Timer2 base: 0x4003.2000  
 Offset 0x038  
 Type R/W, reset 0x0000.0000

|       |          |    |    |    |    |    |    |    |       |     |     |     |     |     |     |     |
|-------|----------|----|----|----|----|----|----|----|-------|-----|-----|-----|-----|-----|-----|-----|
|       | 31       | 30 | 29 | 28 | 27 | 26 | 25 | 24 | 23    | 22  | 21  | 20  | 19  | 18  | 17  | 16  |
|       | reserved |    |    |    |    |    |    |    |       |     |     |     |     |     |     |     |
| Type  | RO       | RO | RO | RO | RO | RO | RO | RO | RO    | RO  | RO  | RO  | RO  | RO  | RO  | RO  |
| Reset | 0        | 0  | 0  | 0  | 0  | 0  | 0  | 0  | 0     | 0   | 0   | 0   | 0   | 0   | 0   | 0   |
|       | 15       | 14 | 13 | 12 | 11 | 10 | 9  | 8  | 7     | 6   | 5   | 4   | 3   | 2   | 1   | 0   |
|       | reserved |    |    |    |    |    |    |    | TAPSR |     |     |     |     |     |     |     |
| Type  | RO       | RO | RO | RO | RO | RO | RO | RO | R/W   | R/W | R/W | R/W | R/W | R/W | R/W | R/W |
| Reset | 0        | 0  | 0  | 0  | 0  | 0  | 0  | 0  | 0     | 0   | 0   | 0   | 0   | 0   | 0   | 0   |

| Bit/Field | Name     | Type | Reset | Description   |
|-----------|----------|------|-------|---|
| 31:8      | reserved | RO   | 0x00  | Software should not rely on the value of a reserved bit. To provide compatibility with future products, the value of a reserved bit should be preserved across a read-modify-write operation. |
| 7:0       | TAPSR    | R/W  | 0x00  | GPTM TimerA Prescale<br>The register loads this value on a write. A read returns the current value of the register.<br>Refer to Table 8-4 on page 271 for more details and an example.        |

### Register 14: GPTM TimerB Prescale (GPTMTBPR), offset 0x03C

This register allows software to extend the range of the 16-bit timers when operating in one-shot or periodic mode.

#### GPTM TimerB Prescale (GPTMTBPR)

Timer0 base: 0x4003.0000  
 Timer1 base: 0x4003.1000  
 Timer2 base: 0x4003.2000  
 Offset 0x03C  
 Type R/W, reset 0x0000.0000

|       |          |    |    |    |    |    |    |    |       |     |     |     |     |     |     |     |
|-------|----------|----|----|----|----|----|----|----|-------|-----|-----|-----|-----|-----|-----|-----|
|       | 31       | 30 | 29 | 28 | 27 | 26 | 25 | 24 | 23    | 22  | 21  | 20  | 19  | 18  | 17  | 16  |
|       | reserved |    |    |    |    |    |    |    |       |     |     |     |     |     |     |     |
| Type  | RO       | RO | RO | RO | RO | RO | RO | RO | RO    | RO  | RO  | RO  | RO  | RO  | RO  | RO  |
| Reset | 0        | 0  | 0  | 0  | 0  | 0  | 0  | 0  | 0     | 0   | 0   | 0   | 0   | 0   | 0   | 0   |
|       | 15       | 14 | 13 | 12 | 11 | 10 | 9  | 8  | 7     | 6   | 5   | 4   | 3   | 2   | 1   | 0   |
|       | reserved |    |    |    |    |    |    |    | TBPSR |     |     |     |     |     |     |     |
| Type  | RO       | RO | RO | RO | RO | RO | RO | RO | R/W   | R/W | R/W | R/W | R/W | R/W | R/W | R/W |
| Reset | 0        | 0  | 0  | 0  | 0  | 0  | 0  | 0  | 0     | 0   | 0   | 0   | 0   | 0   | 0   | 0   |

| Bit/Field | Name     | Type | Reset | Description   |
|-----------|----------|------|-------|---|
| 31:8      | reserved | RO   | 0x00  | Software should not rely on the value of a reserved bit. To provide compatibility with future products, the value of a reserved bit should be preserved across a read-modify-write operation. |
| 7:0       | TBPSR    | R/W  | 0x00  | GPTM TimerB Prescale<br>The register loads this value on a write. A read returns the current value of this register.<br>Refer to Table 8-4 on page 271 for more details and an example.       |

**Register 15: GPTM TimerA Prescale Match (GPTMTAPMR), offset 0x040**

This register effectively extends the range of **GPTMTAMATCHR** to 24 bits when operating in 16-bit one-shot or periodic mode.

**GPTM TimerA Prescale Match (GPTMTAPMR)**

Timer0 base: 0x4003.0000  
 Timer1 base: 0x4003.1000  
 Timer2 base: 0x4003.2000  
 Offset 0x040  
 Type R/W, reset 0x0000.0000

|       |          |    |    |    |    |    |    |    |        |     |     |     |     |     |     |     |
|-------|----------|----|----|----|----|----|----|----|--------|-----|-----|-----|-----|-----|-----|-----|
|       | 31       | 30 | 29 | 28 | 27 | 26 | 25 | 24 | 23     | 22  | 21  | 20  | 19  | 18  | 17  | 16  |
|       | reserved |    |    |    |    |    |    |    |        |     |     |     |     |     |     |     |
| Type  | RO       | RO | RO | RO | RO | RO | RO | RO | RO     | RO  | RO  | RO  | RO  | RO  | RO  | RO  |
| Reset | 0        | 0  | 0  | 0  | 0  | 0  | 0  | 0  | 0      | 0   | 0   | 0   | 0   | 0   | 0   | 0   |
|       | 15       | 14 | 13 | 12 | 11 | 10 | 9  | 8  | 7      | 6   | 5   | 4   | 3   | 2   | 1   | 0   |
|       | reserved |    |    |    |    |    |    |    | TAPSMR |     |     |     |     |     |     |     |
| Type  | RO       | RO | RO | RO | RO | RO | RO | RO | R/W    | R/W | R/W | R/W | R/W | R/W | R/W | R/W |
| Reset | 0        | 0  | 0  | 0  | 0  | 0  | 0  | 0  | 0      | 0   | 0   | 0   | 0   | 0   | 0   | 0   |

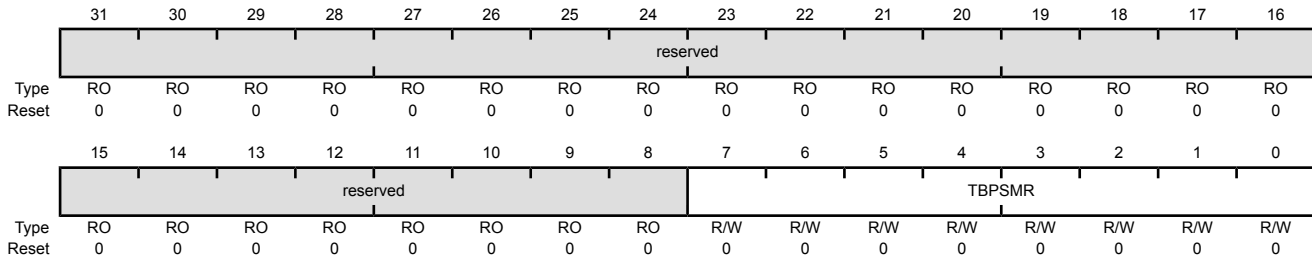
| Bit/Field | Name     | Type | Reset | Description   |
|-----------|----------|------|-------|---|
| 31:8      | reserved | RO   | 0x00  | Software should not rely on the value of a reserved bit. To provide compatibility with future products, the value of a reserved bit should be preserved across a read-modify-write operation. |
| 7:0       | TAPSMR   | R/W  | 0x00  | GPTM TimerA Prescale Match<br>This value is used alongside <b>GPTMTAMATCHR</b> to detect timer match events while using a prescaler.  |

**Register 16: GPTM TimerB Prescale Match (GPTMTBPMR), offset 0x044**

This register effectively extends the range of **GPTMTBMATCHR** to 24 bits when operating in 16-bit one-shot or periodic mode.

GPTM TimerB Prescale Match (GPTMTBPMR)

Timer0 base: 0x4003.0000  
 Timer1 base: 0x4003.1000  
 Timer2 base: 0x4003.2000  
 Offset 0x044  
 Type R/W, reset 0x0000.0000



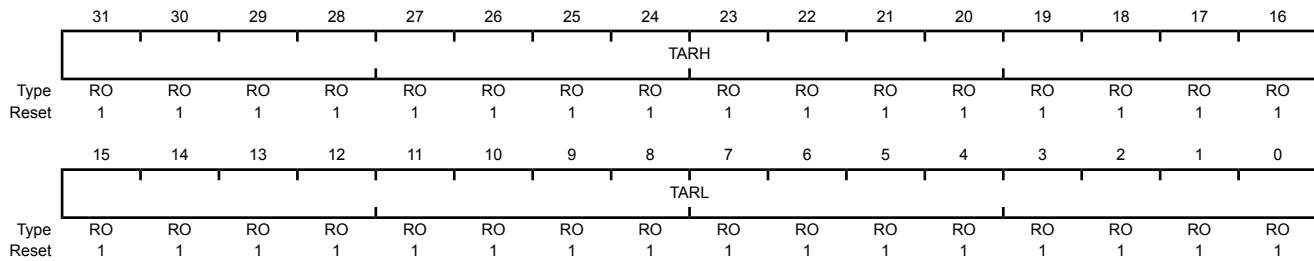
| Bit/Field | Name     | Type | Reset | Description   |
|-----------|----------|------|-------|---|
| 31:8      | reserved | RO   | 0x00  | Software should not rely on the value of a reserved bit. To provide compatibility with future products, the value of a reserved bit should be preserved across a read-modify-write operation. |
| 7:0       | TBPSMR   | R/W  | 0x00  | GPTM TimerB Prescale Match<br>This value is used alongside <b>GPTMTBMATCHR</b> to detect timer match events while using a prescaler.  |

**Register 17: GPTM TimerA (GPTMTAR), offset 0x048**

This register shows the current value of the TimerA counter in all cases except for Input Edge Count mode. When in this mode, this register contains the number of edges that have occurred.

**GPTM TimerA (GPTMTAR)**

Timer0 base: 0x4003.0000  
 Timer1 base: 0x4003.1000  
 Timer2 base: 0x4003.2000  
 Offset 0x048  
 Type RO, reset 0xFFFF.FFFF



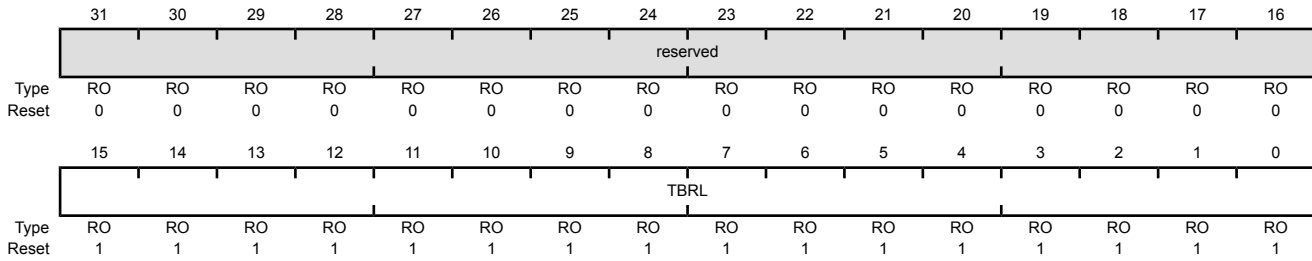
| Bit/Field | Name | Type | Reset  | Description  |
|-----------|------|------|--------|--|
| 31:16     | TARH | RO   | 0xFFFF | GPTM TimerA Register High<br>If the <b>GPTMCFG</b> is in a 32-bit mode, TimerB value is read. If the <b>GPTMCFG</b> is in a 16-bit mode, this is read as zero.                                   |
| 15:0      | TARL | RO   | 0xFFFF | GPTM TimerA Register Low<br>A read returns the current value of the <b>GPTM TimerA Count Register</b> , except in Input Edge-Count mode, when it returns the number of edges that have occurred. |

### Register 18: GPTM TimerB (GPTMTBR), offset 0x04C

This register shows the current value of the TimerB counter in all cases except for Input Edge Count mode. When in this mode, this register contains the number of edges that have occurred.

#### GPTM TimerB (GPTMTBR)

Timer0 base: 0x4003.0000  
 Timer1 base: 0x4003.1000  
 Timer2 base: 0x4003.2000  
 Offset 0x04C  
 Type RO, reset 0x0000.FFFF



| Bit/Field | Name     | Type | Reset  | Description   |
|-----------|----------|------|--------|---|
| 31:16     | reserved | RO   | 0x0000 | Software should not rely on the value of a reserved bit. To provide compatibility with future products, the value of a reserved bit should be preserved across a read-modify-write operation. |
| 15:0      | TBRL     | RO   | 0xFFFF | GPTM TimerB<br>A read returns the current value of the <b>GPTM TimerB Count Register</b> , except in Input Edge-Count mode, when it returns the number of edges that have occurred.           |

## 9 Watchdog Timer

A watchdog timer can generate nonmaskable interrupts (NMIs) or a reset when a time-out value is reached. The watchdog timer is used to regain control when a system has failed due to a software error or due to the failure of an external device to respond in the expected way.

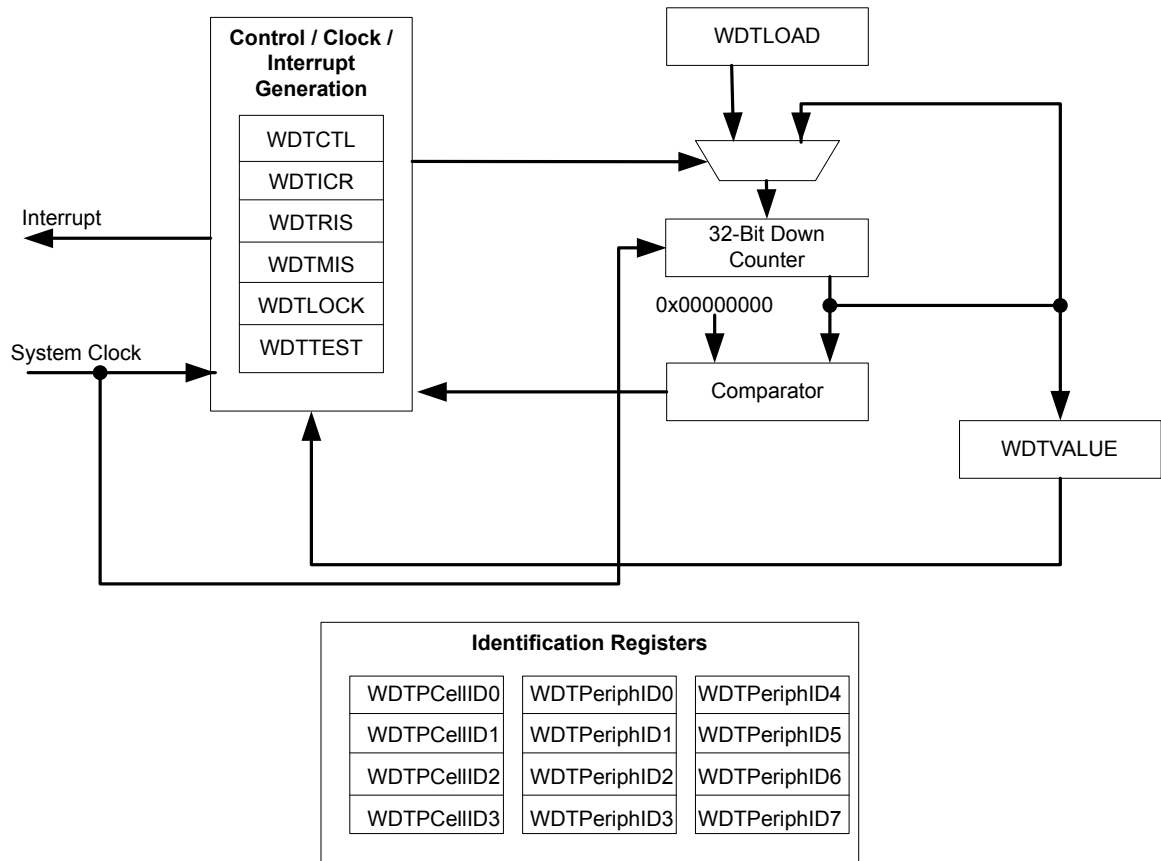
The Stellaris® Watchdog Timer module has the following features:

- 32-bit down counter with a programmable load register
- Separate watchdog clock with an enable
- Programmable interrupt generation logic with interrupt masking
- Lock register protection from runaway software
- Reset generation logic with an enable/disable
- User-enabled stalling when the controller asserts the CPU Halt flag during debug

The Watchdog Timer can be configured to generate an interrupt to the controller on its first time-out, and to generate a reset signal on its second time-out. Once the Watchdog Timer has been configured, the lock register can be written to prevent the timer configuration from being inadvertently altered.

## 9.1 Block Diagram

Figure 9-1. WDT Module Block Diagram



## 9.2 Functional Description

The Watchdog Timer module generates the first time-out signal when the 32-bit counter reaches the zero state after being enabled; enabling the counter also enables the watchdog timer interrupt. After the first time-out event, the 32-bit counter is re-loaded with the value of the **Watchdog Timer Load (WDTLOAD)** register, and the timer resumes counting down from that value. Once the Watchdog Timer has been configured, the **Watchdog Timer Lock (WDTLOCK)** register is written, which prevents the timer configuration from being inadvertently altered by software.

If the timer counts down to its zero state again before the first time-out interrupt is cleared, and the reset signal has been enabled (via the `WatchdogResetEnable` function), the Watchdog timer asserts its reset signal to the system. If the interrupt is cleared before the 32-bit counter reaches its second time-out, the 32-bit counter is loaded with the value in the **WDTLOAD** register, and counting resumes from that value.

If **WDTLOAD** is written with a new value while the Watchdog Timer counter is counting, then the counter is loaded with the new value and continues counting.

Writing to **WDTLOAD** does not clear an active interrupt. An interrupt must be specifically cleared by writing to the **Watchdog Interrupt Clear (WDTICR)** register.

The Watchdog module interrupt and reset generation can be enabled or disabled as required. When the interrupt is re-enabled, the 32-bit counter is preloaded with the load register value and not its last state.

### 9.3 Initialization and Configuration

To use the WDT, its peripheral clock must be enabled by setting the **WDT** bit in the **RCGC0** register. The Watchdog Timer is configured using the following sequence:

1. Load the **WDTLOAD** register with the desired timer load value.
2. If the Watchdog is configured to trigger system resets, set the **RESEN** bit in the **WDTCTL** register.
3. Set the **INTEN** bit in the **WDTCTL** register to enable the Watchdog and lock the control register.

If software requires that all of the watchdog registers are locked, the Watchdog Timer module can be fully locked by writing any value to the **WDTLOCK** register. To unlock the Watchdog Timer, write a value of 0x1ACC.E551.

### 9.4 Register Map

Table 9-1 on page 305 lists the Watchdog registers. The offset listed is a hexadecimal increment to the register's address, relative to the Watchdog Timer base address of 0x4000.0000.

**Table 9-1. Watchdog Timer Register Map**

| Offset | Name         | Type | Reset       | Description                          | See page |
|--------|--------------|------|-------------|--------------------------------------|----------|
| 0x000  | WDTLOAD      | R/W  | 0xFFFF.FFFF | Watchdog Load                        | 307      |
| 0x004  | WDTVALUE     | RO   | 0xFFFF.FFFF | Watchdog Value                       | 308      |
| 0x008  | WDTCTL       | R/W  | 0x0000.0000 | Watchdog Control                     | 309      |
| 0x00C  | WDTICR       | WO   | -           | Watchdog Interrupt Clear             | 310      |
| 0x010  | WDTRIS       | RO   | 0x0000.0000 | Watchdog Raw Interrupt Status        | 311      |
| 0x014  | WDTMIS       | RO   | 0x0000.0000 | Watchdog Masked Interrupt Status     | 312      |
| 0x418  | WDTTEST      | R/W  | 0x0000.0000 | Watchdog Test                        | 313      |
| 0xC00  | WDTLOCK      | R/W  | 0x0000.0000 | Watchdog Lock                        | 314      |
| 0xFD0  | WDTPeriphID4 | RO   | 0x0000.0000 | Watchdog Peripheral Identification 4 | 315      |
| 0xFD4  | WDTPeriphID5 | RO   | 0x0000.0000 | Watchdog Peripheral Identification 5 | 316      |
| 0xFD8  | WDTPeriphID6 | RO   | 0x0000.0000 | Watchdog Peripheral Identification 6 | 317      |
| 0xFDC  | WDTPeriphID7 | RO   | 0x0000.0000 | Watchdog Peripheral Identification 7 | 318      |
| 0xFE0  | WDTPeriphID0 | RO   | 0x0000.0005 | Watchdog Peripheral Identification 0 | 319      |
| 0xFE4  | WDTPeriphID1 | RO   | 0x0000.0018 | Watchdog Peripheral Identification 1 | 320      |
| 0xFE8  | WDTPeriphID2 | RO   | 0x0000.0018 | Watchdog Peripheral Identification 2 | 321      |

**Table 9-1. Watchdog Timer Register Map (continued)**

| Offset | Name         | Type | Reset       | Description                          | See page |
|--------|--------------|------|-------------|--------------------------------------|----------|
| 0xFEC  | WDTPeriphID3 | RO   | 0x0000.0001 | Watchdog Peripheral Identification 3 | 322      |
| 0xFF0  | WDTPCellID0  | RO   | 0x0000.000D | Watchdog PrimeCell Identification 0  | 323      |
| 0xFF4  | WDTPCellID1  | RO   | 0x0000.00F0 | Watchdog PrimeCell Identification 1  | 324      |
| 0xFF8  | WDTPCellID2  | RO   | 0x0000.0005 | Watchdog PrimeCell Identification 2  | 325      |
| 0xFFC  | WDTPCellID3  | RO   | 0x0000.00B1 | Watchdog PrimeCell Identification 3  | 326      |

## 9.5 Register Descriptions

The remainder of this section lists and describes the WDT registers, in numerical order by address offset.

**Register 1: Watchdog Load (WDTLOAD), offset 0x000**

This register is the 32-bit interval value used by the 32-bit counter. When this register is written, the value is immediately loaded and the counter restarts counting down from the new value. If the **WDTLOAD** register is loaded with 0x0000.0000, an interrupt is immediately generated.

**Watchdog Load (WDTLOAD)**

Base 0x4000.0000

Offset 0x000

Type R/W, reset 0xFFFF.FFFF

|       | 31      | 30  | 29  | 28  | 27  | 26  | 25  | 24  | 23  | 22  | 21  | 20  | 19  | 18  | 17  | 16  |
|-------|---------|-----|-----|-----|-----|-----|-----|-----|-----|-----|-----|-----|-----|-----|-----|-----|
|       | WDTLoad |     |     |     |     |     |     |     |     |     |     |     |     |     |     |     |
| Type  | R/W     | R/W | R/W | R/W | R/W | R/W | R/W | R/W | R/W | R/W | R/W | R/W | R/W | R/W | R/W | R/W |
| Reset | 1       | 1   | 1   | 1   | 1   | 1   | 1   | 1   | 1   | 1   | 1   | 1   | 1   | 1   | 1   | 1   |
|       | 15      | 14  | 13  | 12  | 11  | 10  | 9   | 8   | 7   | 6   | 5   | 4   | 3   | 2   | 1   | 0   |
|       | WDTLoad |     |     |     |     |     |     |     |     |     |     |     |     |     |     |     |
| Type  | R/W     | R/W | R/W | R/W | R/W | R/W | R/W | R/W | R/W | R/W | R/W | R/W | R/W | R/W | R/W | R/W |
| Reset | 1       | 1   | 1   | 1   | 1   | 1   | 1   | 1   | 1   | 1   | 1   | 1   | 1   | 1   | 1   | 1   |

| Bit/Field | Name    | Type | Reset       | Description         |
|-----------|---------|------|-------------|---------------------|
| 31:0      | WDTLoad | R/W  | 0xFFFF.FFFF | Watchdog Load Value |

## Register 2: Watchdog Value (WDTVALUE), offset 0x004

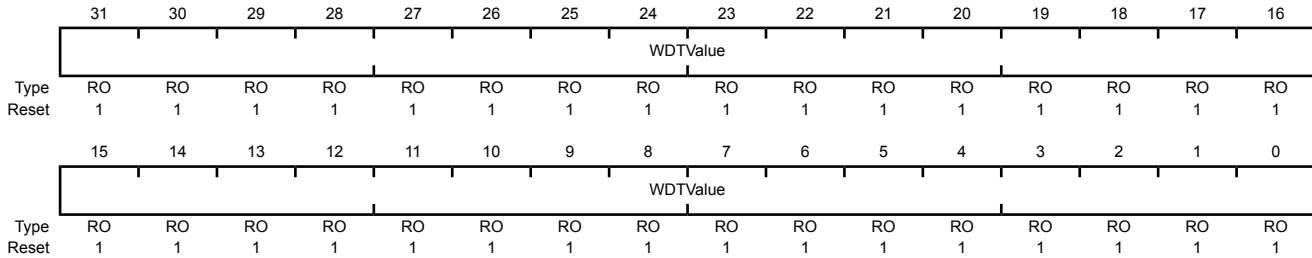
This register contains the current count value of the timer.

### Watchdog Value (WDTVALUE)

Base 0x4000.0000

Offset 0x004

Type RO, reset 0xFFFF.FFFF



| Bit/Field | Name     | Type | Reset       | Description   |
|-----------|----------|------|-------------|---|
| 31:0      | WDTValue | RO   | 0xFFFF.FFFF | Watchdog Value<br>Current value of the 32-bit down counter. |

### Register 3: Watchdog Control (WDTCTL), offset 0x008

This register is the watchdog control register. The watchdog timer can be configured to generate a reset signal (on second time-out) or an interrupt on time-out.

When the watchdog interrupt has been enabled, all subsequent writes to the control register are ignored. The only mechanism that can re-enable writes is a hardware reset.

#### Watchdog Control (WDTCTL)

Base 0x4000.0000  
Offset 0x008  
Type R/W, reset 0x0000.0000

|       |          |    |    |    |    |    |    |    |    |    |    |    |    |    |       |       |     |
|-------|----------|----|----|----|----|----|----|----|----|----|----|----|----|----|-------|-------|-----|
|       | 31       | 30 | 29 | 28 | 27 | 26 | 25 | 24 | 23 | 22 | 21 | 20 | 19 | 18 | 17    | 16    |     |
|       | reserved |    |    |    |    |    |    |    |    |    |    |    |    |    |       |       |     |
| Type  | RO       | RO | RO | RO | RO | RO | RO | RO | RO | RO | RO | RO | RO | RO | RO    | RO    |     |
| Reset | 0        | 0  | 0  | 0  | 0  | 0  | 0  | 0  | 0  | 0  | 0  | 0  | 0  | 0  | 0     | 0     |     |
|       | 15       | 14 | 13 | 12 | 11 | 10 | 9  | 8  | 7  | 6  | 5  | 4  | 3  | 2  | 1     | 0     |     |
|       | reserved |    |    |    |    |    |    |    |    |    |    |    |    |    | RESEN | INTEN |     |
| Type  | RO       | RO | RO | RO | RO | RO | RO | RO | RO | RO | RO | RO | RO | RO | RO    | R/W   | R/W |
| Reset | 0        | 0  | 0  | 0  | 0  | 0  | 0  | 0  | 0  | 0  | 0  | 0  | 0  | 0  | 0     | 0     | 0   |

| Bit/Field | Name   | Type | Reset | Description   |       |             |   |  |   |  |
|-----------|--|------|-------|---|-------|-------------|---|--|---|--|
| 31:2      | reserved   | RO   | 0x00  | Software should not rely on the value of a reserved bit. To provide compatibility with future products, the value of a reserved bit should be preserved across a read-modify-write operation.   |       |             |   |  |   |  |
| 1         | RESEN  | R/W  | 0     | Watchdog Reset Enable<br>The RESEN values are defined as follows:<br><br><table border="1"> <thead> <tr> <th>Value</th> <th>Description</th> </tr> </thead> <tbody> <tr> <td>0</td> <td>Disabled.</td> </tr> <tr> <td>1</td> <td>Enable the Watchdog module reset output.</td> </tr> </tbody> </table>  | Value | Description | 0 | Disabled.  | 1 | Enable the Watchdog module reset output.                       |
| Value     | Description  |      |       |   |       |             |   |  |   |  |
| 0         | Disabled.  |      |       |   |       |             |   |  |   |  |
| 1         | Enable the Watchdog module reset output.   |      |       |   |       |             |   |  |   |  |
| 0         | INTEN  | R/W  | 0     | Watchdog Interrupt Enable<br>The INTEN values are defined as follows:<br><br><table border="1"> <thead> <tr> <th>Value</th> <th>Description</th> </tr> </thead> <tbody> <tr> <td>0</td> <td>Interrupt event disabled (once this bit is set, it can only be cleared by a hardware reset).</td> </tr> <tr> <td>1</td> <td>Interrupt event enabled. Once enabled, all writes are ignored.</td> </tr> </tbody> </table> | Value | Description | 0 | Interrupt event disabled (once this bit is set, it can only be cleared by a hardware reset). | 1 | Interrupt event enabled. Once enabled, all writes are ignored. |
| Value     | Description  |      |       |   |       |             |   |  |   |  |
| 0         | Interrupt event disabled (once this bit is set, it can only be cleared by a hardware reset). |      |       |   |       |             |   |  |   |  |
| 1         | Interrupt event enabled. Once enabled, all writes are ignored.                               |      |       |   |       |             |   |  |   |  |

### Register 4: Watchdog Interrupt Clear (WDTICR), offset 0x00C

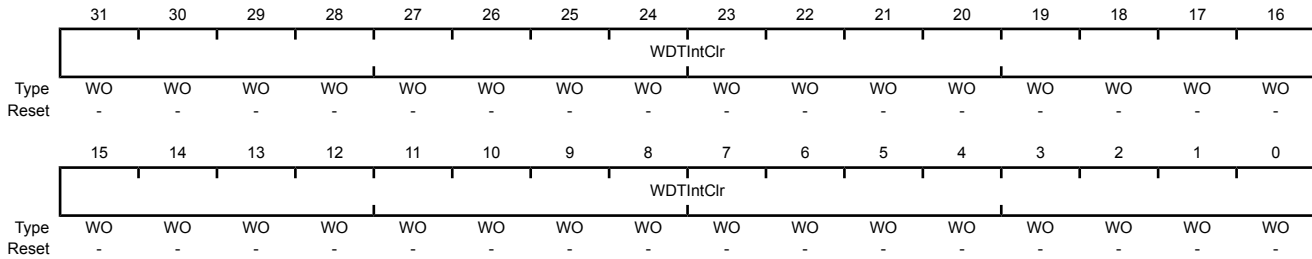
This register is the interrupt clear register. A write of any value to this register clears the Watchdog interrupt and reloads the 32-bit counter from the **WDTLOAD** register. Value for a read or reset is indeterminate.

#### Watchdog Interrupt Clear (WDTICR)

Base 0x4000.0000

Offset 0x00C

Type WO, reset -



| Bit/Field | Name      | Type | Reset | Description              |
|-----------|-----------|------|-------|--------------------------|
| 31:0      | WDTIntClr | WO   | -     | Watchdog Interrupt Clear |

## Register 5: Watchdog Raw Interrupt Status (WDTRIS), offset 0x010

This register is the raw interrupt status register. Watchdog interrupt events can be monitored via this register if the controller interrupt is masked.

### Watchdog Raw Interrupt Status (WDTRIS)

Base 0x4000.0000

Offset 0x010

Type RO, reset 0x0000.0000

|       |          |    |    |    |    |    |    |    |    |    |    |    |    |    |    |        |
|-------|----------|----|----|----|----|----|----|----|----|----|----|----|----|----|----|--------|
|       | 31       | 30 | 29 | 28 | 27 | 26 | 25 | 24 | 23 | 22 | 21 | 20 | 19 | 18 | 17 | 16     |
|       | reserved |    |    |    |    |    |    |    |    |    |    |    |    |    |    |        |
| Type  | RO       | RO | RO | RO | RO | RO | RO | RO | RO | RO | RO | RO | RO | RO | RO | RO     |
| Reset | 0        | 0  | 0  | 0  | 0  | 0  | 0  | 0  | 0  | 0  | 0  | 0  | 0  | 0  | 0  | 0      |
|       | 15       | 14 | 13 | 12 | 11 | 10 | 9  | 8  | 7  | 6  | 5  | 4  | 3  | 2  | 1  | 0      |
|       | reserved |    |    |    |    |    |    |    |    |    |    |    |    |    |    | WDTRIS |
| Type  | RO       | RO | RO | RO | RO | RO | RO | RO | RO | RO | RO | RO | RO | RO | RO | RO     |
| Reset | 0        | 0  | 0  | 0  | 0  | 0  | 0  | 0  | 0  | 0  | 0  | 0  | 0  | 0  | 0  | 0      |

| Bit/Field | Name     | Type | Reset | Description   |
|-----------|----------|------|-------|---|
| 31:1      | reserved | RO   | 0x00  | Software should not rely on the value of a reserved bit. To provide compatibility with future products, the value of a reserved bit should be preserved across a read-modify-write operation. |
| 0         | WDTRIS   | RO   | 0     | Watchdog Raw Interrupt Status<br>Gives the raw interrupt state (prior to masking) of <b>WDTINTR</b> .   |

### Register 6: Watchdog Masked Interrupt Status (WDTMIS), offset 0x014

This register is the masked interrupt status register. The value of this register is the logical AND of the raw interrupt bit and the Watchdog interrupt enable bit.

#### Watchdog Masked Interrupt Status (WDTMIS)

Base 0x4000.0000  
 Offset 0x014  
 Type RO, reset 0x0000.0000

|       |          |    |    |    |    |    |    |    |    |    |    |    |    |    |    |        |
|-------|----------|----|----|----|----|----|----|----|----|----|----|----|----|----|----|--------|
|       | 31       | 30 | 29 | 28 | 27 | 26 | 25 | 24 | 23 | 22 | 21 | 20 | 19 | 18 | 17 | 16     |
|       | reserved |    |    |    |    |    |    |    |    |    |    |    |    |    |    |        |
| Type  | RO       | RO | RO | RO | RO | RO | RO | RO | RO | RO | RO | RO | RO | RO | RO | RO     |
| Reset | 0        | 0  | 0  | 0  | 0  | 0  | 0  | 0  | 0  | 0  | 0  | 0  | 0  | 0  | 0  | 0      |
|       | 15       | 14 | 13 | 12 | 11 | 10 | 9  | 8  | 7  | 6  | 5  | 4  | 3  | 2  | 1  | 0      |
|       | reserved |    |    |    |    |    |    |    |    |    |    |    |    |    |    | WDTMIS |
| Type  | RO       | RO | RO | RO | RO | RO | RO | RO | RO | RO | RO | RO | RO | RO | RO | RO     |
| Reset | 0        | 0  | 0  | 0  | 0  | 0  | 0  | 0  | 0  | 0  | 0  | 0  | 0  | 0  | 0  | 0      |

| Bit/Field | Name     | Type | Reset | Description   |
|-----------|----------|------|-------|---|
| 31:1      | reserved | RO   | 0x00  | Software should not rely on the value of a reserved bit. To provide compatibility with future products, the value of a reserved bit should be preserved across a read-modify-write operation. |
| 0         | WDTMIS   | RO   | 0     | Watchdog Masked Interrupt Status<br>Gives the masked interrupt state (after masking) of the <b>WDTINTR</b> interrupt.   |

**Register 7: Watchdog Test (WDTTEST), offset 0x418**

This register provides user-enabled stalling when the microcontroller asserts the CPU halt flag during debug.

**Watchdog Test (WDTTEST)**

Base 0x4000.0000  
Offset 0x418  
Type R/W, reset 0x0000.0000

|       |          |    |    |    |    |    |    |       |          |    |    |    |    |    |    |    |
|-------|----------|----|----|----|----|----|----|-------|----------|----|----|----|----|----|----|----|
|       | 31       | 30 | 29 | 28 | 27 | 26 | 25 | 24    | 23       | 22 | 21 | 20 | 19 | 18 | 17 | 16 |
|       | reserved |    |    |    |    |    |    |       |          |    |    |    |    |    |    |    |
| Type  | RO       | RO | RO | RO | RO | RO | RO | RO    | RO       | RO | RO | RO | RO | RO | RO | RO |
| Reset | 0        | 0  | 0  | 0  | 0  | 0  | 0  | 0     | 0        | 0  | 0  | 0  | 0  | 0  | 0  | 0  |
|       | 15       | 14 | 13 | 12 | 11 | 10 | 9  | 8     | 7        | 6  | 5  | 4  | 3  | 2  | 1  | 0  |
|       | reserved |    |    |    |    |    |    | STALL | reserved |    |    |    |    |    |    |    |
| Type  | RO       | RO | RO | RO | RO | RO | RO | R/W   | RO       | RO | RO | RO | RO | RO | RO | RO |
| Reset | 0        | 0  | 0  | 0  | 0  | 0  | 0  | 0     | 0        | 0  | 0  | 0  | 0  | 0  | 0  | 0  |

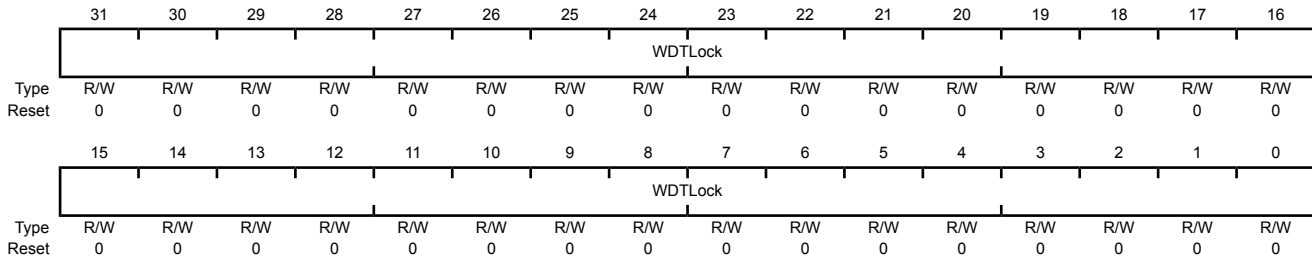
| Bit/Field | Name     | Type | Reset | Description   |
|-----------|----------|------|-------|---|
| 31:9      | reserved | RO   | 0x00  | Software should not rely on the value of a reserved bit. To provide compatibility with future products, the value of a reserved bit should be preserved across a read-modify-write operation.                       |
| 8         | STALL    | R/W  | 0     | Watchdog Stall Enable<br>When set to 1, if the Stellaris microcontroller is stopped with a debugger, the watchdog timer stops counting. Once the microcontroller is restarted, the watchdog timer resumes counting. |
| 7:0       | reserved | RO   | 0x00  | Software should not rely on the value of a reserved bit. To provide compatibility with future products, the value of a reserved bit should be preserved across a read-modify-write operation.                       |

### Register 8: Watchdog Lock (WDTLOCK), offset 0xC00

Writing 0x1ACC.E551 to the **WDTLOCK** register enables write access to all other registers. Writing any other value to the **WDTLOCK** register re-enables the locked state for register writes to all the other registers. Reading the **WDTLOCK** register returns the lock status rather than the 32-bit value written. Therefore, when write accesses are disabled, reading the **WDTLOCK** register returns 0x0000.0001 (when locked; otherwise, the returned value is 0x0000.0000 (unlocked)).

#### Watchdog Lock (WDTLOCK)

Base 0x4000.0000  
 Offset 0xC00  
 Type R/W, reset 0x0000.0000



| Bit/Field   | Name        | Type | Reset  | Description   |       |             |             |        |             |          |
|-------------|-------------|------|--------|---|-------|-------------|-------------|--------|-------------|----------|
| 31:0        | WDTLock     | R/W  | 0x0000 | Watchdog Lock<br>A write of the value 0x1ACC.E551 unlocks the watchdog registers for write access. A write of any other value reapplies the lock, preventing any register updates.<br>A read of this register returns the following values: <table border="1" style="margin-left: 20px;"> <thead> <tr> <th>Value</th> <th>Description</th> </tr> </thead> <tbody> <tr> <td>0x0000.0001</td> <td>Locked</td> </tr> <tr> <td>0x0000.0000</td> <td>Unlocked</td> </tr> </tbody> </table> | Value | Description | 0x0000.0001 | Locked | 0x0000.0000 | Unlocked |
| Value       | Description |      |        |   |       |             |             |        |             |          |
| 0x0000.0001 | Locked      |      |        |   |       |             |             |        |             |          |
| 0x0000.0000 | Unlocked    |      |        |   |       |             |             |        |             |          |

**Register 9: Watchdog Peripheral Identification 4 (WDTPeriphID4), offset 0xFD0**

The **WDTPeriphIDn** registers are hard-coded and the fields within the register determine the reset value.

## Watchdog Peripheral Identification 4 (WDTPeriphID4)

Base 0x4000.0000

Offset 0xFD0

Type RO, reset 0x0000.0000

|       |          |    |    |    |    |    |    |    |      |    |    |    |    |    |    |    |
|-------|----------|----|----|----|----|----|----|----|------|----|----|----|----|----|----|----|
|       | 31       | 30 | 29 | 28 | 27 | 26 | 25 | 24 | 23   | 22 | 21 | 20 | 19 | 18 | 17 | 16 |
|       | reserved |    |    |    |    |    |    |    |      |    |    |    |    |    |    |    |
| Type  | RO       | RO | RO | RO | RO | RO | RO | RO | RO   | RO | RO | RO | RO | RO | RO | RO |
| Reset | 0        | 0  | 0  | 0  | 0  | 0  | 0  | 0  | 0    | 0  | 0  | 0  | 0  | 0  | 0  | 0  |
|       | 15       | 14 | 13 | 12 | 11 | 10 | 9  | 8  | 7    | 6  | 5  | 4  | 3  | 2  | 1  | 0  |
|       | reserved |    |    |    |    |    |    |    | PID4 |    |    |    |    |    |    |    |
| Type  | RO       | RO | RO | RO | RO | RO | RO | RO | RO   | RO | RO | RO | RO | RO | RO | RO |
| Reset | 0        | 0  | 0  | 0  | 0  | 0  | 0  | 0  | 0    | 0  | 0  | 0  | 0  | 0  | 0  | 0  |

| Bit/Field | Name     | Type | Reset | Description   |
|-----------|----------|------|-------|---|
| 31:8      | reserved | RO   | 0x00  | Software should not rely on the value of a reserved bit. To provide compatibility with future products, the value of a reserved bit should be preserved across a read-modify-write operation. |
| 7:0       | PID4     | RO   | 0x00  | WDT Peripheral ID Register[7:0]   |

### Register 10: Watchdog Peripheral Identification 5 (WDTPeriphID5), offset 0xFD4

The **WDTPeriphIDn** registers are hard-coded and the fields within the register determine the reset value.

#### Watchdog Peripheral Identification 5 (WDTPeriphID5)

Base 0x4000.0000  
 Offset 0xFD4  
 Type RO, reset 0x0000.0000

|       |          |    |    |    |    |    |    |    |      |    |    |    |    |    |    |    |
|-------|----------|----|----|----|----|----|----|----|------|----|----|----|----|----|----|----|
|       | 31       | 30 | 29 | 28 | 27 | 26 | 25 | 24 | 23   | 22 | 21 | 20 | 19 | 18 | 17 | 16 |
|       | reserved |    |    |    |    |    |    |    |      |    |    |    |    |    |    |    |
| Type  | RO       | RO | RO | RO | RO | RO | RO | RO | RO   | RO | RO | RO | RO | RO | RO | RO |
| Reset | 0        | 0  | 0  | 0  | 0  | 0  | 0  | 0  | 0    | 0  | 0  | 0  | 0  | 0  | 0  | 0  |
|       | 15       | 14 | 13 | 12 | 11 | 10 | 9  | 8  | 7    | 6  | 5  | 4  | 3  | 2  | 1  | 0  |
|       | reserved |    |    |    |    |    |    |    | PID5 |    |    |    |    |    |    |    |
| Type  | RO       | RO | RO | RO | RO | RO | RO | RO | RO   | RO | RO | RO | RO | RO | RO | RO |
| Reset | 0        | 0  | 0  | 0  | 0  | 0  | 0  | 0  | 0    | 0  | 0  | 0  | 0  | 0  | 0  | 0  |

| Bit/Field | Name     | Type | Reset | Description   |
|-----------|----------|------|-------|---|
| 31:8      | reserved | RO   | 0x00  | Software should not rely on the value of a reserved bit. To provide compatibility with future products, the value of a reserved bit should be preserved across a read-modify-write operation. |
| 7:0       | PID5     | RO   | 0x00  | WDT Peripheral ID Register[15:8]  |

## Register 11: Watchdog Peripheral Identification 6 (WDTPeriphID6), offset 0xFD8

The **WDTPeriphIDn** registers are hard-coded and the fields within the register determine the reset value.

### Watchdog Peripheral Identification 6 (WDTPeriphID6)

Base 0x4000.0000

Offset 0xFD8

Type RO, reset 0x0000.0000

|       |          |    |    |    |    |    |    |    |      |    |    |    |    |    |    |    |
|-------|----------|----|----|----|----|----|----|----|------|----|----|----|----|----|----|----|
|       | 31       | 30 | 29 | 28 | 27 | 26 | 25 | 24 | 23   | 22 | 21 | 20 | 19 | 18 | 17 | 16 |
|       | reserved |    |    |    |    |    |    |    |      |    |    |    |    |    |    |    |
| Type  | RO       | RO | RO | RO | RO | RO | RO | RO | RO   | RO | RO | RO | RO | RO | RO | RO |
| Reset | 0        | 0  | 0  | 0  | 0  | 0  | 0  | 0  | 0    | 0  | 0  | 0  | 0  | 0  | 0  | 0  |
|       | 15       | 14 | 13 | 12 | 11 | 10 | 9  | 8  | 7    | 6  | 5  | 4  | 3  | 2  | 1  | 0  |
|       | reserved |    |    |    |    |    |    |    | PID6 |    |    |    |    |    |    |    |
| Type  | RO       | RO | RO | RO | RO | RO | RO | RO | RO   | RO | RO | RO | RO | RO | RO | RO |
| Reset | 0        | 0  | 0  | 0  | 0  | 0  | 0  | 0  | 0    | 0  | 0  | 0  | 0  | 0  | 0  | 0  |

| Bit/Field | Name     | Type | Reset | Description   |
|-----------|----------|------|-------|---|
| 31:8      | reserved | RO   | 0x00  | Software should not rely on the value of a reserved bit. To provide compatibility with future products, the value of a reserved bit should be preserved across a read-modify-write operation. |
| 7:0       | PID6     | RO   | 0x00  | WDT Peripheral ID Register[23:16]   |

## Register 12: Watchdog Peripheral Identification 7 (WDTPeriphID7), offset 0xFDC

The **WDTPeriphIDn** registers are hard-coded and the fields within the register determine the reset value.

### Watchdog Peripheral Identification 7 (WDTPeriphID7)

Base 0x4000.0000  
 Offset 0xFDC  
 Type RO, reset 0x0000.0000

|       |          |    |    |    |    |    |    |    |      |    |    |    |    |    |    |    |
|-------|----------|----|----|----|----|----|----|----|------|----|----|----|----|----|----|----|
|       | 31       | 30 | 29 | 28 | 27 | 26 | 25 | 24 | 23   | 22 | 21 | 20 | 19 | 18 | 17 | 16 |
|       | reserved |    |    |    |    |    |    |    |      |    |    |    |    |    |    |    |
| Type  | RO       | RO | RO | RO | RO | RO | RO | RO | RO   | RO | RO | RO | RO | RO | RO | RO |
| Reset | 0        | 0  | 0  | 0  | 0  | 0  | 0  | 0  | 0    | 0  | 0  | 0  | 0  | 0  | 0  | 0  |
|       | 15       | 14 | 13 | 12 | 11 | 10 | 9  | 8  | 7    | 6  | 5  | 4  | 3  | 2  | 1  | 0  |
|       | reserved |    |    |    |    |    |    |    | PID7 |    |    |    |    |    |    |    |
| Type  | RO       | RO | RO | RO | RO | RO | RO | RO | RO   | RO | RO | RO | RO | RO | RO | RO |
| Reset | 0        | 0  | 0  | 0  | 0  | 0  | 0  | 0  | 0    | 0  | 0  | 0  | 0  | 0  | 0  | 0  |

| Bit/Field | Name     | Type | Reset | Description   |
|-----------|----------|------|-------|---|
| 31:8      | reserved | RO   | 0x00  | Software should not rely on the value of a reserved bit. To provide compatibility with future products, the value of a reserved bit should be preserved across a read-modify-write operation. |
| 7:0       | PID7     | RO   | 0x00  | WDT Peripheral ID Register[31:24]   |

## Register 13: Watchdog Peripheral Identification 0 (WDTPeriphID0), offset 0xFE0

The **WDTPeriphIDn** registers are hard-coded and the fields within the register determine the reset value.

### Watchdog Peripheral Identification 0 (WDTPeriphID0)

Base 0x4000.0000

Offset 0xFE0

Type RO, reset 0x0000.0005

|       |          |    |    |    |    |    |    |    |      |    |    |    |    |    |    |    |
|-------|----------|----|----|----|----|----|----|----|------|----|----|----|----|----|----|----|
|       | 31       | 30 | 29 | 28 | 27 | 26 | 25 | 24 | 23   | 22 | 21 | 20 | 19 | 18 | 17 | 16 |
|       | reserved |    |    |    |    |    |    |    |      |    |    |    |    |    |    |    |
| Type  | RO       | RO | RO | RO | RO | RO | RO | RO | RO   | RO | RO | RO | RO | RO | RO | RO |
| Reset | 0        | 0  | 0  | 0  | 0  | 0  | 0  | 0  | 0    | 0  | 0  | 0  | 0  | 0  | 0  | 0  |
|       | 15       | 14 | 13 | 12 | 11 | 10 | 9  | 8  | 7    | 6  | 5  | 4  | 3  | 2  | 1  | 0  |
|       | reserved |    |    |    |    |    |    |    | PID0 |    |    |    |    |    |    |    |
| Type  | RO       | RO | RO | RO | RO | RO | RO | RO | RO   | RO | RO | RO | RO | RO | RO | RO |
| Reset | 0        | 0  | 0  | 0  | 0  | 0  | 0  | 0  | 0    | 0  | 0  | 0  | 0  | 1  | 0  | 1  |

| Bit/Field | Name     | Type | Reset | Description   |
|-----------|----------|------|-------|---|
| 31:8      | reserved | RO   | 0x00  | Software should not rely on the value of a reserved bit. To provide compatibility with future products, the value of a reserved bit should be preserved across a read-modify-write operation. |
| 7:0       | PID0     | RO   | 0x05  | Watchdog Peripheral ID Register[7:0]  |

### Register 14: Watchdog Peripheral Identification 1 (WDTPeriphID1), offset 0xFE4

The **WDTPeriphIDn** registers are hard-coded and the fields within the register determine the reset value.

#### Watchdog Peripheral Identification 1 (WDTPeriphID1)

Base 0x4000.0000  
 Offset 0xFE4  
 Type RO, reset 0x0000.0018

|       |          |    |    |    |    |    |    |    |      |    |    |    |    |    |    |    |
|-------|----------|----|----|----|----|----|----|----|------|----|----|----|----|----|----|----|
|       | 31       | 30 | 29 | 28 | 27 | 26 | 25 | 24 | 23   | 22 | 21 | 20 | 19 | 18 | 17 | 16 |
|       | reserved |    |    |    |    |    |    |    |      |    |    |    |    |    |    |    |
| Type  | RO       | RO | RO | RO | RO | RO | RO | RO | RO   | RO | RO | RO | RO | RO | RO | RO |
| Reset | 0        | 0  | 0  | 0  | 0  | 0  | 0  | 0  | 0    | 0  | 0  | 0  | 0  | 0  | 0  | 0  |
|       | 15       | 14 | 13 | 12 | 11 | 10 | 9  | 8  | 7    | 6  | 5  | 4  | 3  | 2  | 1  | 0  |
|       | reserved |    |    |    |    |    |    |    | PID1 |    |    |    |    |    |    |    |
| Type  | RO       | RO | RO | RO | RO | RO | RO | RO | RO   | RO | RO | RO | RO | RO | RO | RO |
| Reset | 0        | 0  | 0  | 0  | 0  | 0  | 0  | 0  | 0    | 0  | 0  | 1  | 1  | 0  | 0  | 0  |

| Bit/Field | Name     | Type | Reset | Description   |
|-----------|----------|------|-------|---|
| 31:8      | reserved | RO   | 0x00  | Software should not rely on the value of a reserved bit. To provide compatibility with future products, the value of a reserved bit should be preserved across a read-modify-write operation. |
| 7:0       | PID1     | RO   | 0x18  | Watchdog Peripheral ID Register[15:8]   |

## Register 15: Watchdog Peripheral Identification 2 (WDTPeriphID2), offset 0xFE8

The **WDTPeriphIDn** registers are hard-coded and the fields within the register determine the reset value.

### Watchdog Peripheral Identification 2 (WDTPeriphID2)

Base 0x4000.0000

Offset 0xFE8

Type RO, reset 0x0000.0018

|       |          |    |    |    |    |    |    |    |      |    |    |    |    |    |    |    |
|-------|----------|----|----|----|----|----|----|----|------|----|----|----|----|----|----|----|
|       | 31       | 30 | 29 | 28 | 27 | 26 | 25 | 24 | 23   | 22 | 21 | 20 | 19 | 18 | 17 | 16 |
|       | reserved |    |    |    |    |    |    |    |      |    |    |    |    |    |    |    |
| Type  | RO       | RO | RO | RO | RO | RO | RO | RO | RO   | RO | RO | RO | RO | RO | RO | RO |
| Reset | 0        | 0  | 0  | 0  | 0  | 0  | 0  | 0  | 0    | 0  | 0  | 0  | 0  | 0  | 0  | 0  |
|       | 15       | 14 | 13 | 12 | 11 | 10 | 9  | 8  | 7    | 6  | 5  | 4  | 3  | 2  | 1  | 0  |
|       | reserved |    |    |    |    |    |    |    | PID2 |    |    |    |    |    |    |    |
| Type  | RO       | RO | RO | RO | RO | RO | RO | RO | RO   | RO | RO | RO | RO | RO | RO | RO |
| Reset | 0        | 0  | 0  | 0  | 0  | 0  | 0  | 0  | 0    | 0  | 0  | 1  | 1  | 0  | 0  | 0  |

| Bit/Field | Name     | Type | Reset | Description   |
|-----------|----------|------|-------|---|
| 31:8      | reserved | RO   | 0x00  | Software should not rely on the value of a reserved bit. To provide compatibility with future products, the value of a reserved bit should be preserved across a read-modify-write operation. |
| 7:0       | PID2     | RO   | 0x18  | Watchdog Peripheral ID Register[23:16]  |

### Register 16: Watchdog Peripheral Identification 3 (WDTPeriphID3), offset 0xFEC

The **WDTPeriphIDn** registers are hard-coded and the fields within the register determine the reset value.

#### Watchdog Peripheral Identification 3 (WDTPeriphID3)

Base 0x4000.0000  
 Offset 0xFEC  
 Type RO, reset 0x0000.0001

|       |          |    |    |    |    |    |    |    |      |    |    |    |    |    |    |    |
|-------|----------|----|----|----|----|----|----|----|------|----|----|----|----|----|----|----|
|       | 31       | 30 | 29 | 28 | 27 | 26 | 25 | 24 | 23   | 22 | 21 | 20 | 19 | 18 | 17 | 16 |
|       | reserved |    |    |    |    |    |    |    |      |    |    |    |    |    |    |    |
| Type  | RO       | RO | RO | RO | RO | RO | RO | RO | RO   | RO | RO | RO | RO | RO | RO | RO |
| Reset | 0        | 0  | 0  | 0  | 0  | 0  | 0  | 0  | 0    | 0  | 0  | 0  | 0  | 0  | 0  | 0  |
|       | 15       | 14 | 13 | 12 | 11 | 10 | 9  | 8  | 7    | 6  | 5  | 4  | 3  | 2  | 1  | 0  |
|       | reserved |    |    |    |    |    |    |    | PID3 |    |    |    |    |    |    |    |
| Type  | RO       | RO | RO | RO | RO | RO | RO | RO | RO   | RO | RO | RO | RO | RO | RO | RO |
| Reset | 0        | 0  | 0  | 0  | 0  | 0  | 0  | 0  | 0    | 0  | 0  | 0  | 0  | 0  | 0  | 1  |

| Bit/Field | Name     | Type | Reset | Description   |
|-----------|----------|------|-------|---|
| 31:8      | reserved | RO   | 0x00  | Software should not rely on the value of a reserved bit. To provide compatibility with future products, the value of a reserved bit should be preserved across a read-modify-write operation. |
| 7:0       | PID3     | RO   | 0x01  | Watchdog Peripheral ID Register[31:24]  |

**Register 17: Watchdog PrimeCell Identification 0 (WDTPCellID0), offset 0xFF0**

The **WDTPCellIDn** registers are hard-coded and the fields within the register determine the reset value.

## Watchdog PrimeCell Identification 0 (WDTPCellID0)

Base 0x4000.0000

Offset 0xFF0

Type RO, reset 0x0000.000D

|       |          |    |    |    |    |    |    |    |      |    |    |    |    |    |    |    |
|-------|----------|----|----|----|----|----|----|----|------|----|----|----|----|----|----|----|
|       | 31       | 30 | 29 | 28 | 27 | 26 | 25 | 24 | 23   | 22 | 21 | 20 | 19 | 18 | 17 | 16 |
|       | reserved |    |    |    |    |    |    |    |      |    |    |    |    |    |    |    |
| Type  | RO       | RO | RO | RO | RO | RO | RO | RO | RO   | RO | RO | RO | RO | RO | RO | RO |
| Reset | 0        | 0  | 0  | 0  | 0  | 0  | 0  | 0  | 0    | 0  | 0  | 0  | 0  | 0  | 0  | 0  |
|       | 15       | 14 | 13 | 12 | 11 | 10 | 9  | 8  | 7    | 6  | 5  | 4  | 3  | 2  | 1  | 0  |
|       | reserved |    |    |    |    |    |    |    | CID0 |    |    |    |    |    |    |    |
| Type  | RO       | RO | RO | RO | RO | RO | RO | RO | RO   | RO | RO | RO | RO | RO | RO | RO |
| Reset | 0        | 0  | 0  | 0  | 0  | 0  | 0  | 0  | 0    | 0  | 0  | 0  | 1  | 1  | 0  | 1  |

| Bit/Field | Name     | Type | Reset | Description   |
|-----------|----------|------|-------|---|
| 31:8      | reserved | RO   | 0x00  | Software should not rely on the value of a reserved bit. To provide compatibility with future products, the value of a reserved bit should be preserved across a read-modify-write operation. |
| 7:0       | CID0     | RO   | 0x0D  | Watchdog PrimeCell ID Register[7:0]   |

### Register 18: Watchdog PrimeCell Identification 1 (WDTPCellID1), offset 0xFF4

The **WDTPCellIDn** registers are hard-coded and the fields within the register determine the reset value.

#### Watchdog PrimeCell Identification 1 (WDTPCellID1)

Base 0x4000.0000  
 Offset 0xFF4  
 Type RO, reset 0x0000.00F0

|       |          |    |    |    |    |    |    |    |      |    |    |    |    |    |    |    |
|-------|----------|----|----|----|----|----|----|----|------|----|----|----|----|----|----|----|
|       | 31       | 30 | 29 | 28 | 27 | 26 | 25 | 24 | 23   | 22 | 21 | 20 | 19 | 18 | 17 | 16 |
|       | reserved |    |    |    |    |    |    |    |      |    |    |    |    |    |    |    |
| Type  | RO       | RO | RO | RO | RO | RO | RO | RO | RO   | RO | RO | RO | RO | RO | RO | RO |
| Reset | 0        | 0  | 0  | 0  | 0  | 0  | 0  | 0  | 0    | 0  | 0  | 0  | 0  | 0  | 0  | 0  |
|       | 15       | 14 | 13 | 12 | 11 | 10 | 9  | 8  | 7    | 6  | 5  | 4  | 3  | 2  | 1  | 0  |
|       | reserved |    |    |    |    |    |    |    | CID1 |    |    |    |    |    |    |    |
| Type  | RO       | RO | RO | RO | RO | RO | RO | RO | RO   | RO | RO | RO | RO | RO | RO | RO |
| Reset | 0        | 0  | 0  | 0  | 0  | 0  | 0  | 0  | 1    | 1  | 1  | 1  | 0  | 0  | 0  | 0  |

| Bit/Field | Name     | Type | Reset | Description   |
|-----------|----------|------|-------|---|
| 31:8      | reserved | RO   | 0x00  | Software should not rely on the value of a reserved bit. To provide compatibility with future products, the value of a reserved bit should be preserved across a read-modify-write operation. |
| 7:0       | CID1     | RO   | 0xF0  | Watchdog PrimeCell ID Register[15:8]  |

**Register 19: Watchdog PrimeCell Identification 2 (WDTPCellID2), offset 0xFF8**

The **WDTPCellIDn** registers are hard-coded and the fields within the register determine the reset value.

## Watchdog PrimeCell Identification 2 (WDTPCellID2)

Base 0x4000.0000

Offset 0xFF8

Type RO, reset 0x0000.0005

|       |          |    |    |    |    |    |    |    |      |    |    |    |    |    |    |    |
|-------|----------|----|----|----|----|----|----|----|------|----|----|----|----|----|----|----|
|       | 31       | 30 | 29 | 28 | 27 | 26 | 25 | 24 | 23   | 22 | 21 | 20 | 19 | 18 | 17 | 16 |
|       | reserved |    |    |    |    |    |    |    |      |    |    |    |    |    |    |    |
| Type  | RO       | RO | RO | RO | RO | RO | RO | RO | RO   | RO | RO | RO | RO | RO | RO | RO |
| Reset | 0        | 0  | 0  | 0  | 0  | 0  | 0  | 0  | 0    | 0  | 0  | 0  | 0  | 0  | 0  | 0  |
|       | 15       | 14 | 13 | 12 | 11 | 10 | 9  | 8  | 7    | 6  | 5  | 4  | 3  | 2  | 1  | 0  |
|       | reserved |    |    |    |    |    |    |    | CID2 |    |    |    |    |    |    |    |
| Type  | RO       | RO | RO | RO | RO | RO | RO | RO | RO   | RO | RO | RO | RO | RO | RO | RO |
| Reset | 0        | 0  | 0  | 0  | 0  | 0  | 0  | 0  | 0    | 0  | 0  | 0  | 0  | 1  | 0  | 1  |

| Bit/Field | Name     | Type | Reset | Description   |
|-----------|----------|------|-------|---|
| 31:8      | reserved | RO   | 0x00  | Software should not rely on the value of a reserved bit. To provide compatibility with future products, the value of a reserved bit should be preserved across a read-modify-write operation. |
| 7:0       | CID2     | RO   | 0x05  | Watchdog PrimeCell ID Register[23:16]   |

### Register 20: Watchdog PrimeCell Identification 3 (WDTPCellID3), offset 0xFFC

The **WDTPCellIDn** registers are hard-coded and the fields within the register determine the reset value.

#### Watchdog PrimeCell Identification 3 (WDTPCellID3)

Base 0x4000.0000  
 Offset 0xFFC  
 Type RO, reset 0x0000.00B1

|       |          |    |    |    |    |    |    |    |      |    |    |    |    |    |    |    |
|-------|----------|----|----|----|----|----|----|----|------|----|----|----|----|----|----|----|
|       | 31       | 30 | 29 | 28 | 27 | 26 | 25 | 24 | 23   | 22 | 21 | 20 | 19 | 18 | 17 | 16 |
|       | reserved |    |    |    |    |    |    |    |      |    |    |    |    |    |    |    |
| Type  | RO       | RO | RO | RO | RO | RO | RO | RO | RO   | RO | RO | RO | RO | RO | RO | RO |
| Reset | 0        | 0  | 0  | 0  | 0  | 0  | 0  | 0  | 0    | 0  | 0  | 0  | 0  | 0  | 0  | 0  |
|       | 15       | 14 | 13 | 12 | 11 | 10 | 9  | 8  | 7    | 6  | 5  | 4  | 3  | 2  | 1  | 0  |
|       | reserved |    |    |    |    |    |    |    | CID3 |    |    |    |    |    |    |    |
| Type  | RO       | RO | RO | RO | RO | RO | RO | RO | RO   | RO | RO | RO | RO | RO | RO | RO |
| Reset | 0        | 0  | 0  | 0  | 0  | 0  | 0  | 0  | 1    | 0  | 1  | 1  | 0  | 0  | 0  | 1  |

| Bit/Field | Name     | Type | Reset | Description   |
|-----------|----------|------|-------|---|
| 31:8      | reserved | RO   | 0x00  | Software should not rely on the value of a reserved bit. To provide compatibility with future products, the value of a reserved bit should be preserved across a read-modify-write operation. |
| 7:0       | CID3     | RO   | 0xB1  | Watchdog PrimeCell ID Register[31:24]   |

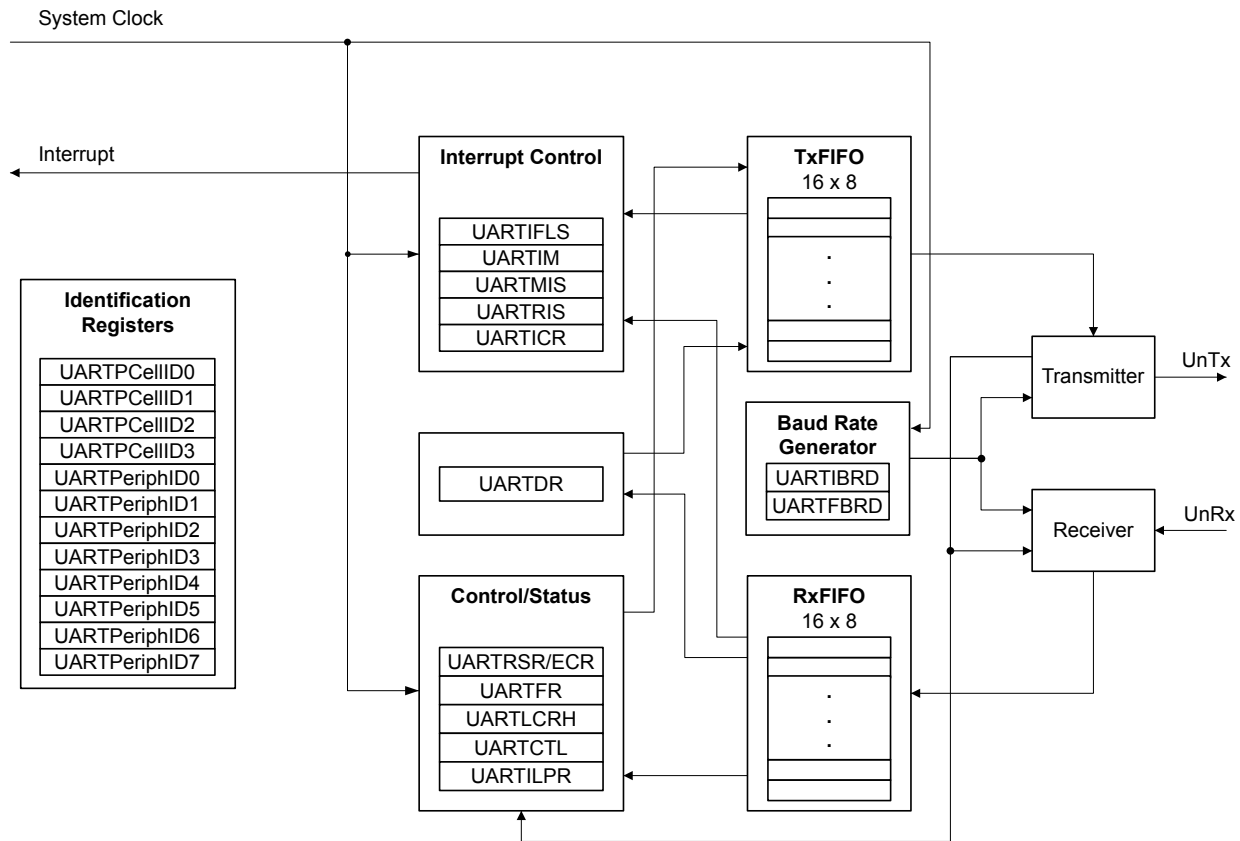
## 10 Universal Asynchronous Receivers/Transmitters (UARTs)

Each Stellaris® Universal Asynchronous Receiver/Transmitter (UART) has the following features:

- Two fully programmable 16C550-type UARTs
- Separate 16x8 transmit (TX) and receive (RX) FIFOs to reduce CPU interrupt service loading
- Programmable baud-rate generator allowing speeds up to 1.5625 Mbps
- Programmable FIFO length, including 1-byte deep operation providing conventional double-buffered interface
- FIFO trigger levels of 1/8, 1/4, 1/2, 3/4, and 7/8
- Standard asynchronous communication bits for start, stop, and parity
- Line-break generation and detection
- Fully programmable serial interface characteristics
  - 5, 6, 7, or 8 data bits
  - Even, odd, stick, or no-parity bit generation/detection
  - 1 or 2 stop bit generation

## 10.1 Block Diagram

Figure 10-1. UART Module Block Diagram



## 10.2 Signal Description

Table 10-1 on page 328 and Table 10-2 on page 329 list the external signals of the UART module and describe the function of each. The UART signals are alternate functions for some GPIO signals and default to be GPIO signals at reset, with the exception of the U0Rx and U0Tx pins which default to the UART function. The column in the table below titled "Pin Assignment" lists the possible GPIO pin placements for these UART signals. The AFSEL bit in the **GPIO Alternate Function Select (GPIOAFSEL)** register (page 245) should be set to choose the UART function. For more information on configuring GPIOs, see "General-Purpose Input/Outputs (GPIOs)" on page 224.

Table 10-1. UART Signals (48QFP)

| Pin Name | Pin Number | Pin Type | Buffer Type <sup>a</sup> | Description             |
|----------|------------|----------|--------------------------|-------------------------|
| U0Rx     | 17         | I        | TTL                      | UART module 0 receive.  |
| U0Tx     | 18         | O        | TTL                      | UART module 0 transmit. |
| U1Rx     | 27         | I        | TTL                      | UART module 1 receive.  |
| U1Tx     | 28         | O        | TTL                      | UART module 1 transmit. |

a. The TTL designation indicates the pin has TTL-compatible voltage levels.

Table 10-2. UART Signals (48QFN)

| Pin Name | Pin Number | Pin Type | Buffer Type <sup>a</sup> | Description             |
|----------|------------|----------|--------------------------|-------------------------|
| U0Rx     | 17         | I        | TTL                      | UART module 0 receive.  |
| U0Tx     | 18         | O        | TTL                      | UART module 0 transmit. |
| U1Rx     | 27         | I        | TTL                      | UART module 1 receive.  |
| U1Tx     | 28         | O        | TTL                      | UART module 1 transmit. |

a. The TTL designation indicates the pin has TTL-compatible voltage levels.

## 10.3 Functional Description

Each Stellaris UART performs the functions of parallel-to-serial and serial-to-parallel conversions. It is similar in functionality to a 16C550 UART, but is not register compatible.

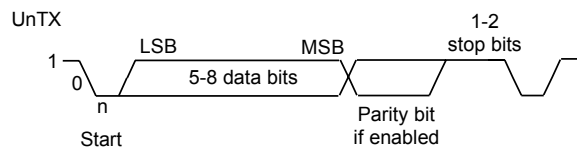
The UART is configured for transmit and/or receive via the **TXE** and **RXE** bits of the **UART Control (UARTCTL)** register (see page 345). Transmit and receive are both enabled out of reset. Before any control registers are programmed, the UART must be disabled by clearing the **UARTEN** bit in **UARTCTL**. If the UART is disabled during a TX or RX operation, the current transaction is completed prior to the UART stopping.

### 10.3.1 Transmit/Receive Logic

The transmit logic performs parallel-to-serial conversion on the data read from the transmit FIFO. The control logic outputs the serial bit stream beginning with a start bit, and followed by the data bits (LSB first), parity bit, and the stop bits according to the programmed configuration in the control registers. See Figure 10-2 on page 329 for details.

The receive logic performs serial-to-parallel conversion on the received bit stream after a valid start pulse has been detected. Overrun, parity, frame error checking, and line-break detection are also performed, and their status accompanies the data that is written to the receive FIFO.

Figure 10-2. UART Character Frame



### 10.3.2 Baud-Rate Generation

The baud-rate divisor is a 22-bit number consisting of a 16-bit integer and a 6-bit fractional part. The number formed by these two values is used by the baud-rate generator to determine the bit period. Having a fractional baud-rate divider allows the UART to generate all the standard baud rates.

The 16-bit integer is loaded through the **UART Integer Baud-Rate Divisor (UARTIBRD)** register (see page 341) and the 6-bit fractional part is loaded with the **UART Fractional Baud-Rate Divisor (UARTFBRD)** register (see page 342). The baud-rate divisor (BRD) has the following relationship to the system clock (where *BRDI* is the integer part of the BRD and *BRDF* is the fractional part, separated by a decimal place.)

$$BRD = BRDI + BRDF = \text{UARTSysClk} / (16 * \text{Baud Rate})$$

where *UARTSysClk* is the system clock connected to the UART.

The 6-bit fractional number (that is to be loaded into the `DIVFRAC` bit field in the `UARTFBRD` register) can be calculated by taking the fractional part of the baud-rate divisor, multiplying it by 64, and adding 0.5 to account for rounding errors:

$$\text{UARTFBRD}[\text{DIVFRAC}] = \text{integer}(\text{BRDF} * 64 + 0.5)$$

The UART generates an internal baud-rate reference clock at 16x the baud-rate (referred to as `Baud16`). This reference clock is divided by 16 to generate the transmit clock, and is used for error detection during receive operations.

Along with the **UART Line Control, High Byte (UARTLCRH)** register (see page 343), the `UARTIBRD` and `UARTFBRD` registers form an internal 30-bit register. This internal register is only updated when a write operation to `UARTLCRH` is performed, so any changes to the baud-rate divisor must be followed by a write to the `UARTLCRH` register for the changes to take effect.

To update the baud-rate registers, there are four possible sequences:

- `UARTIBRD` write, `UARTFBRD` write, and `UARTLCRH` write
- `UARTFBRD` write, `UARTIBRD` write, and `UARTLCRH` write
- `UARTIBRD` write and `UARTLCRH` write
- `UARTFBRD` write and `UARTLCRH` write

### 10.3.3 Data Transmission

Data received or transmitted is stored in two 16-byte FIFOs, though the receive FIFO has an extra four bits per character for status information. For transmission, data is written into the transmit FIFO. If the UART is enabled, it causes a data frame to start transmitting with the parameters indicated in the `UARTLCRH` register. Data continues to be transmitted until there is no data left in the transmit FIFO. The `BUSY` bit in the **UART Flag (UARTFR)** register (see page 339) is asserted as soon as data is written to the transmit FIFO (that is, if the FIFO is non-empty) and remains asserted while data is being transmitted. The `BUSY` bit is negated only when the transmit FIFO is empty, and the last character has been transmitted from the shift register, including the stop bits. The UART can indicate that it is busy even though the UART may no longer be enabled.

When the receiver is idle (the `UnRx` is continuously 1) and the data input goes Low (a start bit has been received), the receive counter begins running and data is sampled on the eighth cycle of `Baud16` (described in “Transmit/Receive Logic” on page 329).

The start bit is valid and recognized if `UnRx` is still low on the eighth cycle of `Baud16`, otherwise it is ignored. After a valid start bit is detected, successive data bits are sampled on every 16th cycle of `Baud16` (that is, one bit period later) according to the programmed length of the data characters. The parity bit is then checked if parity mode was enabled. Data length and parity are defined in the `UARTLCRH` register.

Lastly, a valid stop bit is confirmed if `UnRx` is High, otherwise a framing error has occurred. When a full word is received, the data is stored in the receive FIFO, with any error bits associated with that word.

### 10.3.4 FIFO Operation

The UART has two 16-entry FIFOs; one for transmit and one for receive. Both FIFOs are accessed via the **UART Data (UARTDR)** register (see page 335). Read operations of the `UARTDR` register return a 12-bit value consisting of 8 data bits and 4 error flags while write operations place 8-bit data in the transmit FIFO.

Out of reset, both FIFOs are disabled and act as 1-byte-deep holding registers. The FIFOs are enabled by setting the `FEN` bit in **UARTLCRH** (page 343).

FIFO status can be monitored via the **UART Flag (UARTFR)** register (see page 339) and the **UART Receive Status (UARTRSR)** register. Hardware monitors empty, full and overrun conditions. The **UARTFR** register contains empty and full flags (`TXFE`, `TXFF`, `RXFE`, and `RXFF` bits) and the **UARTRSR** register shows overrun status via the `OE` bit.

The trigger points at which the FIFOs generate interrupts is controlled via the **UART Interrupt FIFO Level Select (UARTIFLS)** register (see page 347). Both FIFOs can be individually configured to trigger interrupts at different levels. Available configurations include  $1/8$ ,  $1/4$ ,  $1/2$ ,  $3/4$ , and  $7/8$ . For example, if the  $1/4$  option is selected for the receive FIFO, the UART generates a receive interrupt after 4 data bytes are received. Out of reset, both FIFOs are configured to trigger an interrupt at the  $1/2$  mark.

### 10.3.5 Interrupts

The UART can generate interrupts when the following conditions are observed:

- Overrun Error
- Break Error
- Parity Error
- Framing Error
- Receive Timeout
- Transmit (when condition defined in the `TXIFLSEL` bit in the **UARTIFLS** register is met)
- Receive (when condition defined in the `RXIFLSEL` bit in the **UARTIFLS** register is met)

All of the interrupt events are ORed together before being sent to the interrupt controller, so the UART can only generate a single interrupt request to the controller at any given time. Software can service multiple interrupt events in a single interrupt service routine by reading the **UART Masked Interrupt Status (UARTMIS)** register (see page 352).

The interrupt events that can trigger a controller-level interrupt are defined in the **UART Interrupt Mask (UARTIM)** register (see page 349) by setting the corresponding `IM` bit to 1. If interrupts are not used, the raw interrupt status is always visible via the **UART Raw Interrupt Status (UARTRIS)** register (see page 351).

Interrupts are always cleared (for both the **UARTMIS** and **UARTRIS** registers) by setting the corresponding bit in the **UART Interrupt Clear (UARTICR)** register (see page 353).

The receive interrupt changes state when one of the following events occurs:

- If the FIFOs are enabled and the receive FIFO reaches the programmed trigger level, the `RXRIS` bit is set. The receive interrupt is cleared by reading data from the receive FIFO until it becomes less than the trigger level, or by clearing the interrupt by writing a 1 to the `RXIC` bit.
- If the FIFOs are disabled (have a depth of one location) and data is received thereby filling the location, the `RXRIS` bit is set. The receive interrupt is cleared by performing a single read of the receive FIFO, or by clearing the interrupt by writing a 1 to the `RXIC` bit.

The transmit interrupt changes state when one of the following events occurs:

- If the FIFOs are enabled and the transmit FIFO reaches the programmed trigger level, the `TXRIS` bit is set. The transmit interrupt is cleared by writing data to the transmit FIFO until it becomes greater than the trigger level, or by clearing the interrupt by writing a 1 to the `TXIC` bit.
- If the FIFOs are disabled (have a depth of one location) and there is no data present in the transmitters single location, the `TXRIS` bit is set. It is cleared by performing a single write to the transmit FIFO, or by clearing the interrupt by writing a 1 to the `TXIC` bit.

### 10.3.6 Loopback Operation

The UART can be placed into an internal loopback mode for diagnostic or debug work. This is accomplished by setting the `LBE` bit in the `UARTCTL` register (see page 345). In loopback mode, data transmitted on `UnTx` is received on the `UnRx` input.

## 10.4 Initialization and Configuration

To use the UARTs, the peripheral clock must be enabled by setting the `UART0` or `UART1` bits in the `RCGC1` register.

This section discusses the steps that are required to use a UART module. For this example, the UART clock is assumed to be 20 MHz and the desired UART configuration is:

- 115200 baud rate
- Data length of 8 bits
- One stop bit
- No parity
- FIFOs disabled
- No interrupts

The first thing to consider when programming the UART is the baud-rate divisor (BRD), since the `UARTIBRD` and `UARTFBRD` registers must be written before the `UARTLCRH` register. Using the equation described in “Baud-Rate Generation” on page 329, the BRD can be calculated:

$$\text{BRD} = 20,000,000 / (16 * 115,200) = 10.8507$$

which means that the `DIVINT` field of the `UARTIBRD` register (see page 341) should be set to 10. The value to be loaded into the `UARTFBRD` register (see page 342) is calculated by the equation:

$$\text{UARTFBRD}[\text{DIVFRAC}] = \text{integer}(0.8507 * 64 + 0.5) = 54$$

With the BRD values in hand, the UART configuration is written to the module in the following order:

1. Disable the UART by clearing the `UARTEN` bit in the `UARTCTL` register.
2. Write the integer portion of the BRD to the `UARTIBRD` register.
3. Write the fractional portion of the BRD to the `UARTFBRD` register.
4. Write the desired serial parameters to the `UARTLCRH` register (in this case, a value of `0x0000.0060`).

5. Enable the UART by setting the `UARTEN` bit in the `UARTCTL` register.

## 10.5 Register Map

Table 10-3 on page 333 lists the UART registers. The offset listed is a hexadecimal increment to the register's address, relative to that UART's base address:

- UART0: 0x4000.C000
- UART1: 0x4000.D000

Note that the UART module clock must be enabled before the registers can be programmed (see page 192). There must be a delay of 3 system clocks after the UART module clock is enabled before any UART module registers are accessed.

**Note:** The UART must be disabled (see the `UARTEN` bit in the `UARTCTL` register on page 345) before any of the control registers are reprogrammed. When the UART is disabled during a TX or RX operation, the current transaction is completed prior to the UART stopping.

**Table 10-3. UART Register Map**

| Offset | Name           | Type | Reset       | Description                       | See page |
|--------|----------------|------|-------------|-----------------------------------|----------|
| 0x000  | UARTDR         | R/W  | 0x0000.0000 | UART Data                         | 335      |
| 0x004  | UARTSR/UARTECR | R/W  | 0x0000.0000 | UART Receive Status/Error Clear   | 337      |
| 0x018  | UARTFR         | RO   | 0x0000.0090 | UART Flag                         | 339      |
| 0x024  | UARTIBRD       | R/W  | 0x0000.0000 | UART Integer Baud-Rate Divisor    | 341      |
| 0x028  | UARTFBRD       | R/W  | 0x0000.0000 | UART Fractional Baud-Rate Divisor | 342      |
| 0x02C  | UARTLCRH       | R/W  | 0x0000.0000 | UART Line Control                 | 343      |
| 0x030  | UARTCTL        | R/W  | 0x0000.0300 | UART Control                      | 345      |
| 0x034  | UARTIFLS       | R/W  | 0x0000.0012 | UART Interrupt FIFO Level Select  | 347      |
| 0x038  | UARTIM         | R/W  | 0x0000.0000 | UART Interrupt Mask               | 349      |
| 0x03C  | UARTRIS        | RO   | 0x0000.000F | UART Raw Interrupt Status         | 351      |
| 0x040  | UARTMIS        | RO   | 0x0000.0000 | UART Masked Interrupt Status      | 352      |
| 0x044  | UARTICR        | W1C  | 0x0000.0000 | UART Interrupt Clear              | 353      |
| 0xFD0  | UARTPeriphID4  | RO   | 0x0000.0000 | UART Peripheral Identification 4  | 355      |
| 0xFD4  | UARTPeriphID5  | RO   | 0x0000.0000 | UART Peripheral Identification 5  | 356      |
| 0xFD8  | UARTPeriphID6  | RO   | 0x0000.0000 | UART Peripheral Identification 6  | 357      |
| 0xFDC  | UARTPeriphID7  | RO   | 0x0000.0000 | UART Peripheral Identification 7  | 358      |
| 0xFE0  | UARTPeriphID0  | RO   | 0x0000.0011 | UART Peripheral Identification 0  | 359      |
| 0xFE4  | UARTPeriphID1  | RO   | 0x0000.0000 | UART Peripheral Identification 1  | 360      |
| 0xFE8  | UARTPeriphID2  | RO   | 0x0000.0018 | UART Peripheral Identification 2  | 361      |
| 0xFEC  | UARTPeriphID3  | RO   | 0x0000.0001 | UART Peripheral Identification 3  | 362      |
| 0xFF0  | UARTPCellID0   | RO   | 0x0000.000D | UART PrimeCell Identification 0   | 363      |

**Table 10-3. UART Register Map (continued)**

| Offset | Name         | Type | Reset       | Description                     | See page |
|--------|--------------|------|-------------|---------------------------------|----------|
| 0xFF4  | UARTPCellID1 | RO   | 0x0000.00F0 | UART PrimeCell Identification 1 | 364      |
| 0xFF8  | UARTPCellID2 | RO   | 0x0000.0005 | UART PrimeCell Identification 2 | 365      |
| 0xFFC  | UARTPCellID3 | RO   | 0x0000.00B1 | UART PrimeCell Identification 3 | 366      |

## 10.6 Register Descriptions

The remainder of this section lists and describes the UART registers, in numerical order by address offset.

## Register 1: UART Data (UARTDR), offset 0x000

**Important:** This register is read-sensitive. See the register description for details.

This register is the data register (the interface to the FIFOs).

When FIFOs are enabled, data written to this location is pushed onto the transmit FIFO. If FIFOs are disabled, data is stored in the transmitter holding register (the bottom word of the transmit FIFO). A write to this register initiates a transmission from the UART.

For received data, if the FIFO is enabled, the data byte and the 4-bit status (break, frame, parity, and overrun) is pushed onto the 12-bit wide receive FIFO. If FIFOs are disabled, the data byte and status are stored in the receiving holding register (the bottom word of the receive FIFO). The received data can be retrieved by reading this register.

### UART Data (UARTDR)

UART0 base: 0x4000.C000  
 UART1 base: 0x4000.D000  
 Offset 0x000  
 Type R/W, reset 0x0000.0000

|       |          |    |    |    |    |    |    |    |      |     |     |     |     |     |     |     |
|-------|----------|----|----|----|----|----|----|----|------|-----|-----|-----|-----|-----|-----|-----|
|       | 31       | 30 | 29 | 28 | 27 | 26 | 25 | 24 | 23   | 22  | 21  | 20  | 19  | 18  | 17  | 16  |
|       | reserved |    |    |    |    |    |    |    |      |     |     |     |     |     |     |     |
| Type  | RO       | RO | RO | RO | RO | RO | RO | RO | RO   | RO  | RO  | RO  | RO  | RO  | RO  | RO  |
| Reset | 0        | 0  | 0  | 0  | 0  | 0  | 0  | 0  | 0    | 0   | 0   | 0   | 0   | 0   | 0   | 0   |
|       | 15       | 14 | 13 | 12 | 11 | 10 | 9  | 8  | 7    | 6   | 5   | 4   | 3   | 2   | 1   | 0   |
|       | reserved |    |    |    | OE | BE | PE | FE | DATA |     |     |     |     |     |     |     |
| Type  | RO       | RO | RO | RO | RO | RO | RO | RO | R/W  | R/W | R/W | R/W | R/W | R/W | R/W | R/W |
| Reset | 0        | 0  | 0  | 0  | 0  | 0  | 0  | 0  | 0    | 0   | 0   | 0   | 0   | 0   | 0   | 0   |

| Bit/Field | Name  | Type | Reset | Description  |       |             |   |  |   |   |
|-----------|---|------|-------|--|-------|-------------|---|--|---|---|
| 31:12     | reserved  | RO   | 0     | Software should not rely on the value of a reserved bit. To provide compatibility with future products, the value of a reserved bit should be preserved across a read-modify-write operation.  |       |             |   |  |   |   |
| 11        | OE  | RO   | 0     | UART Overrun Error<br>The OE values are defined as follows:<br><br><table border="0"> <tr> <td>Value</td> <td>Description</td> </tr> <tr> <td>0</td> <td>There has been no data loss due to a FIFO overrun.</td> </tr> <tr> <td>1</td> <td>New data was received when the FIFO was full, resulting in data loss.</td> </tr> </table>   | Value | Description | 0 | There has been no data loss due to a FIFO overrun. | 1 | New data was received when the FIFO was full, resulting in data loss. |
| Value     | Description   |      |       |  |       |             |   |  |   |   |
| 0         | There has been no data loss due to a FIFO overrun.                    |      |       |  |       |             |   |  |   |   |
| 1         | New data was received when the FIFO was full, resulting in data loss. |      |       |  |       |             |   |  |   |   |
| 10        | BE  | RO   | 0     | UART Break Error<br><br>This bit is set to 1 when a break condition is detected, indicating that the receive data input was held Low for longer than a full-word transmission time (defined as start, data, parity, and stop bits).<br><br>In FIFO mode, this error is associated with the character at the top of the FIFO. When a break occurs, only one 0 character is loaded into the FIFO. The next character is only enabled after the received data input goes to a 1 (marking state) and the next valid start bit is received. |       |             |   |  |   |   |

| Bit/Field | Name | Type | Reset | Description   |
|-----------|------|------|-------|---|
| 9         | PE   | RO   | 0     | UART Parity Error<br>This bit is set to 1 when the parity of the received data character does not match the parity defined by bits 2 and 7 of the <b>UARTLCRH</b> register. In FIFO mode, this error is associated with the character at the top of the FIFO. |
| 8         | FE   | RO   | 0     | UART Framing Error<br>This bit is set to 1 when the received character does not have a valid stop bit (a valid stop bit is 1).  |
| 7:0       | DATA | R/W  | 0     | Data Transmitted or Received<br>When written, the data that is to be transmitted via the UART. When read, the data that was received by the UART.   |

## Register 2: UART Receive Status/Error Clear (UARTRSR/UARTECR), offset 0x004

The **UARTRSR/UARTECR** register is the receive status register/error clear register.

In addition to the **UARTDR** register, receive status can also be read from the **UARTRSR** register. If the status is read from this register, then the status information corresponds to the entry read from **UARTDR** prior to reading **UARTRSR**. The status information for overrun is set immediately when an overrun condition occurs.

The **UARTRSR** register cannot be written.

A write of any value to the **UARTECR** register clears the framing, parity, break, and overrun errors. All the bits are cleared to 0 on reset.

### Reads

#### UART Receive Status/Error Clear (UARTRSR/UARTECR)

UART0 base: 0x4000.C000

UART1 base: 0x4000.D000

Offset 0x004

Type RO, reset 0x0000.0000

|       |          |    |    |    |    |    |    |    |    |    |    |    |    |    |    |    |    |
|-------|----------|----|----|----|----|----|----|----|----|----|----|----|----|----|----|----|----|
|       | 31       | 30 | 29 | 28 | 27 | 26 | 25 | 24 | 23 | 22 | 21 | 20 | 19 | 18 | 17 | 16 |    |
|       | reserved |    |    |    |    |    |    |    |    |    |    |    |    |    |    |    |    |
| Type  | RO       | RO | RO | RO | RO | RO | RO | RO | RO | RO | RO | RO | RO | RO | RO | RO |    |
| Reset | 0        | 0  | 0  | 0  | 0  | 0  | 0  | 0  | 0  | 0  | 0  | 0  | 0  | 0  | 0  | 0  |    |
|       | 15       | 14 | 13 | 12 | 11 | 10 | 9  | 8  | 7  | 6  | 5  | 4  | 3  | 2  | 1  | 0  |    |
|       | reserved |    |    |    |    |    |    |    |    |    |    |    |    | OE | BE | PE | FE |
| Type  | RO       | RO | RO | RO | RO | RO | RO | RO | RO | RO | RO | RO | RO | RO | RO | RO |    |
| Reset | 0        | 0  | 0  | 0  | 0  | 0  | 0  | 0  | 0  | 0  | 0  | 0  | 0  | 0  | 0  | 0  |    |

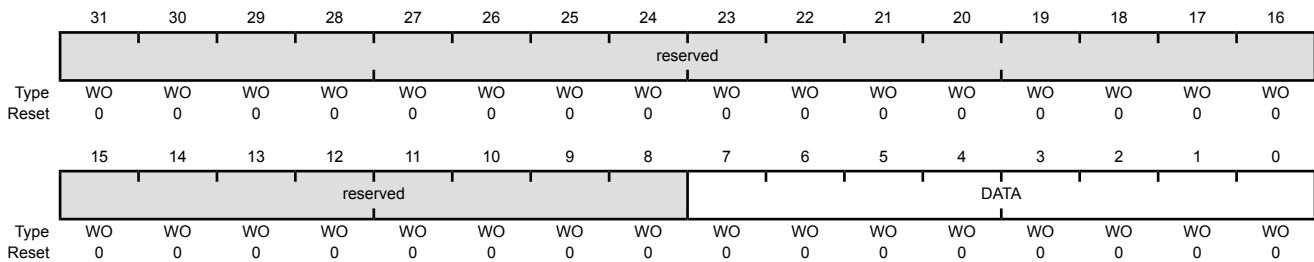
| Bit/Field | Name     | Type | Reset | Description  |
|-----------|----------|------|-------|--|
| 31:4      | reserved | RO   | 0     | Software should not rely on the value of a reserved bit. To provide compatibility with future products, the value of a reserved bit should be preserved across a read-modify-write operation.  |
| 3         | OE       | RO   | 0     | <p>UART Overrun Error</p> <p>When this bit is set to 1, data is received and the FIFO is already full. This bit is cleared to 0 by a write to <b>UARTECR</b>.</p> <p>The FIFO contents remain valid since no further data is written when the FIFO is full, only the contents of the shift register are overwritten. The CPU must now read the data in order to empty the FIFO.</p>  |
| 2         | BE       | RO   | 0     | <p>UART Break Error</p> <p>This bit is set to 1 when a break condition is detected, indicating that the received data input was held Low for longer than a full-word transmission time (defined as start, data, parity, and stop bits). This bit is cleared to 0 by a write to <b>UARTECR</b>.</p> <p>In FIFO mode, this error is associated with the character at the top of the FIFO. When a break occurs, only one 0 character is loaded into the FIFO. The next character is only enabled after the receive data input goes to a 1 (marking state) and the next valid start bit is received.</p> |

| Bit/Field | Name | Type | Reset | Description   |
|-----------|------|------|-------|---|
| 1         | PE   | RO   | 0     | <p>UART Parity Error</p> <p>This bit is set to 1 when the parity of the received data character does not match the parity defined by bits 2 and 7 of the <b>UARTLCRH</b> register. This bit is cleared to 0 by a write to <b>UARTECR</b>.</p>   |
| 0         | FE   | RO   | 0     | <p>UART Framing Error</p> <p>This bit is set to 1 when the received character does not have a valid stop bit (a valid stop bit is 1). This bit is cleared to 0 by a write to <b>UARTECR</b>.</p> <p>In FIFO mode, this error is associated with the character at the top of the FIFO.</p> |

**Writes**

UART Receive Status/Error Clear (UARTRSR/UARTECR)

UART0 base: 0x4000.C000  
 UART1 base: 0x4000.D000  
 Offset 0x004  
 Type WO, reset 0x0000.0000



| Bit/Field | Name     | Type | Reset | Description   |
|-----------|----------|------|-------|---|
| 31:8      | reserved | WO   | 0     | Software should not rely on the value of a reserved bit. To provide compatibility with future products, the value of a reserved bit should be preserved across a read-modify-write operation. |
| 7:0       | DATA     | WO   | 0     | <p>Error Clear</p> <p>A write to this register of any data clears the framing, parity, break, and overrun flags.</p>  |

### Register 3: UART Flag (UARTFR), offset 0x018

The **UARTFR** register is the flag register. After reset, the **TXFF**, **RXFF**, and **BUSY** bits are 0, and **TXFE** and **RXFE** bits are 1.

#### UART Flag (UARTFR)

UART0 base: 0x4000.C000

UART1 base: 0x4000.D000

Offset 0x018

Type RO, reset 0x0000.0090

|       |          |    |    |    |    |    |    |    |      |      |      |      |      |          |    |    |
|-------|----------|----|----|----|----|----|----|----|------|------|------|------|------|----------|----|----|
|       | 31       | 30 | 29 | 28 | 27 | 26 | 25 | 24 | 23   | 22   | 21   | 20   | 19   | 18       | 17 | 16 |
|       | reserved |    |    |    |    |    |    |    |      |      |      |      |      |          |    |    |
| Type  | RO       | RO | RO | RO | RO | RO | RO | RO | RO   | RO   | RO   | RO   | RO   | RO       | RO | RO |
| Reset | 0        | 0  | 0  | 0  | 0  | 0  | 0  | 0  | 0    | 0    | 0    | 0    | 0    | 0        | 0  | 0  |
|       | 15       | 14 | 13 | 12 | 11 | 10 | 9  | 8  | 7    | 6    | 5    | 4    | 3    | 2        | 1  | 0  |
|       | reserved |    |    |    |    |    |    |    | TXFE | RXFF | TXFF | RXFE | BUSY | reserved |    |    |
| Type  | RO       | RO | RO | RO | RO | RO | RO | RO | RO   | RO   | RO   | RO   | RO   | RO       | RO | RO |
| Reset | 0        | 0  | 0  | 0  | 0  | 0  | 0  | 0  | 1    | 0    | 0    | 1    | 0    | 0        | 0  | 0  |

| Bit/Field | Name     | Type | Reset | Description  |
|-----------|----------|------|-------|--|
| 31:8      | reserved | RO   | 0     | Software should not rely on the value of a reserved bit. To provide compatibility with future products, the value of a reserved bit should be preserved across a read-modify-write operation.  |
| 7         | TXFE     | RO   | 1     | UART Transmit FIFO Empty<br>The meaning of this bit depends on the state of the <b>FEN</b> bit in the <b>UARTLCRH</b> register.<br>If the FIFO is disabled ( <b>FEN</b> is 0), this bit is set when the transmit holding register is empty.<br>If the FIFO is enabled ( <b>FEN</b> is 1), this bit is set when the transmit FIFO is empty. |
| 6         | RXFF     | RO   | 0     | UART Receive FIFO Full<br>The meaning of this bit depends on the state of the <b>FEN</b> bit in the <b>UARTLCRH</b> register.<br>If the FIFO is disabled, this bit is set when the receive holding register is full.<br>If the FIFO is enabled, this bit is set when the receive FIFO is full.   |
| 5         | TXFF     | RO   | 0     | UART Transmit FIFO Full<br>The meaning of this bit depends on the state of the <b>FEN</b> bit in the <b>UARTLCRH</b> register.<br>If the FIFO is disabled, this bit is set when the transmit holding register is full.<br>If the FIFO is enabled, this bit is set when the transmit FIFO is full.  |
| 4         | RXFE     | RO   | 1     | UART Receive FIFO Empty<br>The meaning of this bit depends on the state of the <b>FEN</b> bit in the <b>UARTLCRH</b> register.<br>If the FIFO is disabled, this bit is set when the receive holding register is empty.<br>If the FIFO is enabled, this bit is set when the receive FIFO is empty.  |

| Bit/Field | Name     | Type | Reset | Description  |
|-----------|----------|------|-------|--|
| 3         | BUSY     | RO   | 0     | <p>UART Busy</p> <p>When this bit is 1, the UART is busy transmitting data. This bit remains set until the complete byte, including all stop bits, has been sent from the shift register.</p> <p>This bit is set as soon as the transmit FIFO becomes non-empty (regardless of whether UART is enabled).</p> |
| 2:0       | reserved | RO   | 0     | <p>Software should not rely on the value of a reserved bit. To provide compatibility with future products, the value of a reserved bit should be preserved across a read-modify-write operation.</p>   |

## Register 4: UART Integer Baud-Rate Divisor (UARTIBRD), offset 0x024

The **UARTIBRD** register is the integer part of the baud-rate divisor value. All the bits are cleared on reset. The minimum possible divide ratio is 1 (when **UARTIBRD**=0), in which case the **UARTFBRD** register is ignored. When changing the **UARTIBRD** register, the new value does not take effect until transmission/reception of the current character is complete. Any changes to the baud-rate divisor must be followed by a write to the **UARTLCRH** register. See “Baud-Rate Generation” on page 329 for configuration details.

### UART Integer Baud-Rate Divisor (UARTIBRD)

UART0 base: 0x4000.C000  
 UART1 base: 0x4000.D000  
 Offset 0x024  
 Type R/W, reset 0x0000.0000

|       |          |     |     |     |     |     |     |     |     |     |     |     |     |     |     |     |
|-------|----------|-----|-----|-----|-----|-----|-----|-----|-----|-----|-----|-----|-----|-----|-----|-----|
|       | 31       | 30  | 29  | 28  | 27  | 26  | 25  | 24  | 23  | 22  | 21  | 20  | 19  | 18  | 17  | 16  |
|       | reserved |     |     |     |     |     |     |     |     |     |     |     |     |     |     |     |
| Type  | RO       | RO  | RO  | RO  | RO  | RO  | RO  | RO  | RO  | RO  | RO  | RO  | RO  | RO  | RO  | RO  |
| Reset | 0        | 0   | 0   | 0   | 0   | 0   | 0   | 0   | 0   | 0   | 0   | 0   | 0   | 0   | 0   | 0   |
|       | 15       | 14  | 13  | 12  | 11  | 10  | 9   | 8   | 7   | 6   | 5   | 4   | 3   | 2   | 1   | 0   |
|       | DIVINT   |     |     |     |     |     |     |     |     |     |     |     |     |     |     |     |
| Type  | R/W      | R/W | R/W | R/W | R/W | R/W | R/W | R/W | R/W | R/W | R/W | R/W | R/W | R/W | R/W | R/W |
| Reset | 0        | 0   | 0   | 0   | 0   | 0   | 0   | 0   | 0   | 0   | 0   | 0   | 0   | 0   | 0   | 0   |

| Bit/Field | Name     | Type | Reset  | Description   |
|-----------|----------|------|--------|---|
| 31:16     | reserved | RO   | 0      | Software should not rely on the value of a reserved bit. To provide compatibility with future products, the value of a reserved bit should be preserved across a read-modify-write operation. |
| 15:0      | DIVINT   | R/W  | 0x0000 | Integer Baud-Rate Divisor   |

### Register 5: UART Fractional Baud-Rate Divisor (UARTFBRD), offset 0x028

The **UARTFBRD** register is the fractional part of the baud-rate divisor value. All the bits are cleared on reset. When changing the **UARTFBRD** register, the new value does not take effect until transmission/reception of the current character is complete. Any changes to the baud-rate divisor must be followed by a write to the **UARTLCRH** register. See “Baud-Rate Generation” on page 329 for configuration details.

#### UART Fractional Baud-Rate Divisor (UARTFBRD)

UART0 base: 0x4000.C000  
 UART1 base: 0x4000.D000  
 Offset 0x028  
 Type R/W, reset 0x0000.0000

|       |          |    |    |    |    |    |    |    |    |    |         |     |     |     |     |     |
|-------|----------|----|----|----|----|----|----|----|----|----|---------|-----|-----|-----|-----|-----|
|       | 31       | 30 | 29 | 28 | 27 | 26 | 25 | 24 | 23 | 22 | 21      | 20  | 19  | 18  | 17  | 16  |
|       | reserved |    |    |    |    |    |    |    |    |    |         |     |     |     |     |     |
| Type  | RO       | RO | RO | RO | RO | RO | RO | RO | RO | RO | RO      | RO  | RO  | RO  | RO  | RO  |
| Reset | 0        | 0  | 0  | 0  | 0  | 0  | 0  | 0  | 0  | 0  | 0       | 0   | 0   | 0   | 0   | 0   |
|       | 15       | 14 | 13 | 12 | 11 | 10 | 9  | 8  | 7  | 6  | 5       | 4   | 3   | 2   | 1   | 0   |
|       | reserved |    |    |    |    |    |    |    |    |    | DIVFRAC |     |     |     |     |     |
| Type  | RO       | RO | RO | RO | RO | RO | RO | RO | RO | RO | R/W     | R/W | R/W | R/W | R/W | R/W |
| Reset | 0        | 0  | 0  | 0  | 0  | 0  | 0  | 0  | 0  | 0  | 0       | 0   | 0   | 0   | 0   | 0   |

| Bit/Field | Name     | Type | Reset | Description   |
|-----------|----------|------|-------|---|
| 31:6      | reserved | RO   | 0x00  | Software should not rely on the value of a reserved bit. To provide compatibility with future products, the value of a reserved bit should be preserved across a read-modify-write operation. |
| 5:0       | DIVFRAC  | R/W  | 0x000 | Fractional Baud-Rate Divisor  |

## Register 6: UART Line Control (UARTLCRH), offset 0x02C

The **UARTLCRH** register is the line control register. Serial parameters such as data length, parity, and stop bit selection are implemented in this register.

When updating the baud-rate divisor (**UARTIBRD** and/or **UARTIFRD**), the **UARTLCRH** register must also be written. The write strobe for the baud-rate divisor registers is tied to the **UARTLCRH** register.

### UART Line Control (UARTLCRH)

UART0 base: 0x4000.C000  
 UART1 base: 0x4000.D000  
 Offset 0x02C  
 Type R/W, reset 0x0000.0000

|       |          |    |    |    |    |    |    |    |     |      |     |     |      |     |     |     |   |
|-------|----------|----|----|----|----|----|----|----|-----|------|-----|-----|------|-----|-----|-----|---|
|       | 31       | 30 | 29 | 28 | 27 | 26 | 25 | 24 | 23  | 22   | 21  | 20  | 19   | 18  | 17  | 16  |   |
|       | reserved |    |    |    |    |    |    |    |     |      |     |     |      |     |     |     |   |
| Type  | RO       | RO | RO | RO | RO | RO | RO | RO | RO  | RO   | RO  | RO  | RO   | RO  | RO  | RO  |   |
| Reset | 0        | 0  | 0  | 0  | 0  | 0  | 0  | 0  | 0   | 0    | 0   | 0   | 0    | 0   | 0   | 0   |   |
|       | 15       | 14 | 13 | 12 | 11 | 10 | 9  | 8  | 7   | 6    | 5   | 4   | 3    | 2   | 1   | 0   |   |
|       | reserved |    |    |    |    |    |    |    | SPS | WLEN |     | FEN | STP2 | EPS | PEN | BRK |   |
| Type  | RO       | RO | RO | RO | RO | RO | RO | RO | R/W | R/W  | R/W | R/W | R/W  | R/W | R/W | R/W |   |
| Reset | 0        | 0  | 0  | 0  | 0  | 0  | 0  | 0  | 0   | 0    | 0   | 0   | 0    | 0   | 0   | 0   | 0 |

| Bit/Field | Name     | Type | Reset | Description  |
|-----------|----------|------|-------|--|
| 31:8      | reserved | RO   | 0     | Software should not rely on the value of a reserved bit. To provide compatibility with future products, the value of a reserved bit should be preserved across a read-modify-write operation.  |
| 7         | SPS      | R/W  | 0     | UART Stick Parity Select<br>When bits 1, 2, and 7 of <b>UARTLCRH</b> are set, the parity bit is transmitted and checked as a 0. When bits 1 and 7 are set and 2 is cleared, the parity bit is transmitted and checked as a 1.<br>When this bit is cleared, stick parity is disabled. |
| 6:5       | WLEN     | R/W  | 0     | UART Word Length<br>The bits indicate the number of data bits transmitted or received in a frame as follows:<br><br>Value Description<br>0x3 8 bits<br>0x2 7 bits<br>0x1 6 bits<br>0x0 5 bits (default)  |
| 4         | FEN      | R/W  | 0     | UART Enable FIFOs<br>If this bit is set to 1, transmit and receive FIFO buffers are enabled (FIFO mode).<br>When cleared to 0, FIFOs are disabled (Character mode). The FIFOs become 1-byte-deep holding registers.  |
| 3         | STP2     | R/W  | 0     | UART Two Stop Bits Select<br>If this bit is set to 1, two stop bits are transmitted at the end of a frame. The receive logic does not check for two stop bits being received.  |

| Bit/Field | Name | Type | Reset | Description  |
|-----------|------|------|-------|--|
| 2         | EPS  | R/W  | 0     | <p>UART Even Parity Select</p> <p>If this bit is set to 1, even parity generation and checking is performed during transmission and reception, which checks for an even number of 1s in data and parity bits.</p> <p>When cleared to 0, then odd parity is performed, which checks for an odd number of 1s.</p> <p>This bit has no effect when parity is disabled by the <code>PEN</code> bit.</p> |
| 1         | PEN  | R/W  | 0     | <p>UART Parity Enable</p> <p>If this bit is set to 1, parity checking and generation is enabled; otherwise, parity is disabled and no parity bit is added to the data frame.</p>   |
| 0         | BRK  | R/W  | 0     | <p>UART Send Break</p> <p>If this bit is set to 1, a Low level is continually output on the <code>UnTX</code> output, after completing transmission of the current character. For the proper execution of the break command, the software must set this bit for at least two frames (character periods). For normal use, this bit must be cleared to 0.</p>  |

## Register 7: UART Control (UARTCTL), offset 0x030

The **UARTCTL** register is the control register. All the bits are cleared on reset except for the Transmit Enable (TXE) and Receive Enable (RXE) bits, which are set to 1.

To enable the UART module, the **UARTEN** bit must be set to 1. If software requires a configuration change in the module, the **UARTEN** bit must be cleared before the configuration changes are written. If the UART is disabled during a transmit or receive operation, the current transaction is completed prior to the UART stopping.

**Note:** The **UARTCTL** register should not be changed while the UART is enabled or else the results are unpredictable. The following sequence is recommended for making changes to the **UARTCTL** register.

1. Disable the UART.
2. Wait for the end of transmission or reception of the current character.
3. Flush the transmit FIFO by disabling bit 4 (**FEN**) in the line control register (**UARTLCRH**).
4. Reprogram the control register.
5. Enable the UART.

### UART Control (UARTCTL)

UART0 base: 0x4000.C000  
 UART1 base: 0x4000.D000  
 Offset 0x030  
 Type R/W, reset 0x0000.0300

|       |          |    |    |    |    |    |     |     |     |          |    |    |    |    |    |        |
|-------|----------|----|----|----|----|----|-----|-----|-----|----------|----|----|----|----|----|--------|
|       | 31       | 30 | 29 | 28 | 27 | 26 | 25  | 24  | 23  | 22       | 21 | 20 | 19 | 18 | 17 | 16     |
|       | reserved |    |    |    |    |    |     |     |     |          |    |    |    |    |    |        |
| Type  | RO       | RO | RO | RO | RO | RO | RO  | RO  | RO  | RO       | RO | RO | RO | RO | RO | RO     |
| Reset | 0        | 0  | 0  | 0  | 0  | 0  | 0   | 0   | 0   | 0        | 0  | 0  | 0  | 0  | 0  | 0      |
|       | 15       | 14 | 13 | 12 | 11 | 10 | 9   | 8   | 7   | 6        | 5  | 4  | 3  | 2  | 1  | 0      |
|       | reserved |    |    |    |    |    | RXE | TXE | LBE | reserved |    |    |    |    |    | UARTEN |
| Type  | RO       | RO | RO | RO | RO | RO | R/W | R/W | R/W | RO       | RO | RO | RO | RO | RO | R/W    |
| Reset | 0        | 0  | 0  | 0  | 0  | 0  | 1   | 1   | 0   | 0        | 0  | 0  | 0  | 0  | 0  | 0      |

| Bit/Field | Name     | Type | Reset | Description   |
|-----------|----------|------|-------|---|
| 31:10     | reserved | RO   | 0     | Software should not rely on the value of a reserved bit. To provide compatibility with future products, the value of a reserved bit should be preserved across a read-modify-write operation.   |
| 9         | RXE      | R/W  | 1     | <p>UART Receive Enable</p> <p>If this bit is set to 1, the receive section of the UART is enabled. When the UART is disabled in the middle of a receive, it completes the current character before stopping.</p> <p><b>Note:</b> To enable reception, the <b>UARTEN</b> bit must also be set.</p>           |
| 8         | TXE      | R/W  | 1     | <p>UART Transmit Enable</p> <p>If this bit is set to 1, the transmit section of the UART is enabled. When the UART is disabled in the middle of a transmission, it completes the current character before stopping.</p> <p><b>Note:</b> To enable transmission, the <b>UARTEN</b> bit must also be set.</p> |

| Bit/Field | Name     | Type | Reset | Description   |
|-----------|----------|------|-------|---|
| 7         | LBE      | R/W  | 0     | UART Loop Back Enable<br>If this bit is set to 1, the $U_nTX$ path is fed through the $U_nRX$ path.   |
| 6:1       | reserved | RO   | 0     | Software should not rely on the value of a reserved bit. To provide compatibility with future products, the value of a reserved bit should be preserved across a read-modify-write operation. |
| 0         | UARTEN   | R/W  | 0     | UART Enable<br>If this bit is set to 1, the UART is enabled. When the UART is disabled in the middle of transmission or reception, it completes the current character before stopping.        |

## Register 8: UART Interrupt FIFO Level Select (UARTIFLS), offset 0x034

The **UARTIFLS** register is the interrupt FIFO level select register. You can use this register to define the FIFO level at which the **TXRIS** and **RXRIS** bits in the **UARTRIS** register are triggered.

The interrupts are generated based on a transition through a level rather than being based on the level. That is, the interrupts are generated when the fill level progresses through the trigger level. For example, if the receive trigger level is set to the half-way mark, the interrupt is triggered as the module is receiving the 9th character.

Out of reset, the **TXIFLSEL** and **RXIFLSEL** bits are configured so that the FIFOs trigger an interrupt at the half-way mark.

### UART Interrupt FIFO Level Select (UARTIFLS)

UART0 base: 0x4000.C000  
 UART1 base: 0x4000.D000  
 Offset 0x034  
 Type R/W, reset 0x0000.0012

|       |          |    |    |    |    |    |    |    |    |    |     |          |     |          |     |     |
|-------|----------|----|----|----|----|----|----|----|----|----|-----|----------|-----|----------|-----|-----|
|       | 31       | 30 | 29 | 28 | 27 | 26 | 25 | 24 | 23 | 22 | 21  | 20       | 19  | 18       | 17  | 16  |
|       | reserved |    |    |    |    |    |    |    |    |    |     |          |     |          |     |     |
| Type  | RO       | RO | RO | RO | RO | RO | RO | RO | RO | RO | RO  | RO       | RO  | RO       | RO  | RO  |
| Reset | 0        | 0  | 0  | 0  | 0  | 0  | 0  | 0  | 0  | 0  | 0   | 0        | 0   | 0        | 0   | 0   |
|       | 15       | 14 | 13 | 12 | 11 | 10 | 9  | 8  | 7  | 6  | 5   | 4        | 3   | 2        | 1   | 0   |
|       | reserved |    |    |    |    |    |    |    |    |    |     | RXIFLSEL |     | TXIFLSEL |     |     |
| Type  | RO       | RO | RO | RO | RO | RO | RO | RO | RO | RO | R/W | R/W      | R/W | R/W      | R/W | R/W |
| Reset | 0        | 0  | 0  | 0  | 0  | 0  | 0  | 0  | 0  | 0  | 0   | 1        | 0   | 0        | 1   | 0   |

| Bit/Field | Name                                      | Type | Reset | Description  |       |             |     |                                 |     |                                 |     |   |     |                                 |     |                                 |         |          |
|-----------|---|------|-------|--|-------|-------------|-----|---------------------------------|-----|---------------------------------|-----|---|-----|---------------------------------|-----|---------------------------------|---------|----------|
| 31:6      | reserved                                  | RO   | 0x00  | Software should not rely on the value of a reserved bit. To provide compatibility with future products, the value of a reserved bit should be preserved across a read-modify-write operation.  |       |             |     |                                 |     |                                 |     |   |     |                                 |     |                                 |         |          |
| 5:3       | RXIFLSEL                                  | R/W  | 0x2   | UART Receive Interrupt FIFO Level Select<br>The trigger points for the receive interrupt are as follows:<br><br><table border="1"> <thead> <tr> <th>Value</th> <th>Description</th> </tr> </thead> <tbody> <tr> <td>0x0</td> <td>RX FIFO <math>\geq \frac{1}{8}</math> full</td> </tr> <tr> <td>0x1</td> <td>RX FIFO <math>\geq \frac{1}{4}</math> full</td> </tr> <tr> <td>0x2</td> <td>RX FIFO <math>\geq \frac{1}{2}</math> full (default)</td> </tr> <tr> <td>0x3</td> <td>RX FIFO <math>\geq \frac{3}{4}</math> full</td> </tr> <tr> <td>0x4</td> <td>RX FIFO <math>\geq \frac{7}{8}</math> full</td> </tr> <tr> <td>0x5-0x7</td> <td>Reserved</td> </tr> </tbody> </table> | Value | Description | 0x0 | RX FIFO $\geq \frac{1}{8}$ full | 0x1 | RX FIFO $\geq \frac{1}{4}$ full | 0x2 | RX FIFO $\geq \frac{1}{2}$ full (default) | 0x3 | RX FIFO $\geq \frac{3}{4}$ full | 0x4 | RX FIFO $\geq \frac{7}{8}$ full | 0x5-0x7 | Reserved |
| Value     | Description                               |      |       |  |       |             |     |                                 |     |                                 |     |   |     |                                 |     |                                 |         |          |
| 0x0       | RX FIFO $\geq \frac{1}{8}$ full           |      |       |  |       |             |     |                                 |     |                                 |     |   |     |                                 |     |                                 |         |          |
| 0x1       | RX FIFO $\geq \frac{1}{4}$ full           |      |       |  |       |             |     |                                 |     |                                 |     |   |     |                                 |     |                                 |         |          |
| 0x2       | RX FIFO $\geq \frac{1}{2}$ full (default) |      |       |  |       |             |     |                                 |     |                                 |     |   |     |                                 |     |                                 |         |          |
| 0x3       | RX FIFO $\geq \frac{3}{4}$ full           |      |       |  |       |             |     |                                 |     |                                 |     |   |     |                                 |     |                                 |         |          |
| 0x4       | RX FIFO $\geq \frac{7}{8}$ full           |      |       |  |       |             |     |                                 |     |                                 |     |   |     |                                 |     |                                 |         |          |
| 0x5-0x7   | Reserved                                  |      |       |  |       |             |     |                                 |     |                                 |     |   |     |                                 |     |                                 |         |          |

| Bit/Field | Name     | Type | Reset | Description   |
|-----------|----------|------|-------|---|
| 2:0       | TXIFLSEL | R/W  | 0x2   | UART Transmit Interrupt FIFO Level Select<br>The trigger points for the transmit interrupt are as follows:<br><br>Value    Description<br>0x0    TX FIFO $\leq$ $\frac{7}{8}$ empty<br>0x1    TX FIFO $\leq$ $\frac{3}{4}$ empty<br>0x2    TX FIFO $\leq$ $\frac{1}{2}$ empty (default)<br>0x3    TX FIFO $\leq$ $\frac{1}{4}$ empty<br>0x4    TX FIFO $\leq$ $\frac{1}{8}$ empty<br>0x5-0x7 Reserved |

## Register 9: UART Interrupt Mask (UARTIM), offset 0x038

The **UARTIM** register is the interrupt mask set/clear register.

On a read, this register gives the current value of the mask on the relevant interrupt. Writing a 1 to a bit allows the corresponding raw interrupt signal to be routed to the interrupt controller. Writing a 0 prevents the raw interrupt signal from being sent to the interrupt controller.

### UART Interrupt Mask (UARTIM)

UART0 base: 0x4000.C000  
 UART1 base: 0x4000.D000  
 Offset 0x038  
 Type R/W, reset 0x0000.0000

|       |          |    |    |    |    |     |      |      |      |      |      |      |      |          |    |    |    |
|-------|----------|----|----|----|----|-----|------|------|------|------|------|------|------|----------|----|----|----|
|       | 31       | 30 | 29 | 28 | 27 | 26  | 25   | 24   | 23   | 22   | 21   | 20   | 19   | 18       | 17 | 16 |    |
|       | reserved |    |    |    |    |     |      |      |      |      |      |      |      |          |    |    |    |
| Type  | RO       | RO | RO | RO | RO | RO  | RO   | RO   | RO   | RO   | RO   | RO   | RO   | RO       | RO | RO |    |
| Reset | 0        | 0  | 0  | 0  | 0  | 0   | 0    | 0    | 0    | 0    | 0    | 0    | 0    | 0        | 0  | 0  |    |
|       | 15       | 14 | 13 | 12 | 11 | 10  | 9    | 8    | 7    | 6    | 5    | 4    | 3    | 2        | 1  | 0  |    |
|       | reserved |    |    |    |    |     | OEIM | BEIM | PEIM | FEIM | RTIM | TXIM | RXIM | reserved |    |    |    |
| Type  | RO       | RO | RO | RO | RO | R/W | R/W  | R/W  | R/W  | R/W  | R/W  | R/W  | R/W  | RO       | RO | RO | RO |
| Reset | 0        | 0  | 0  | 0  | 0  | 0   | 0    | 0    | 0    | 0    | 0    | 0    | 0    | 0        | 0  | 0  | 0  |

| Bit/Field | Name     | Type | Reset | Description   |
|-----------|----------|------|-------|---|
| 31:11     | reserved | RO   | 0x00  | Software should not rely on the value of a reserved bit. To provide compatibility with future products, the value of a reserved bit should be preserved across a read-modify-write operation. |
| 10        | OEIM     | R/W  | 0     | UART Overrun Error Interrupt Mask<br>On a read, the current mask for the OEIM interrupt is returned.<br>Setting this bit to 1 promotes the OEIM interrupt to the interrupt controller.        |
| 9         | BEIM     | R/W  | 0     | UART Break Error Interrupt Mask<br>On a read, the current mask for the BEIM interrupt is returned.<br>Setting this bit to 1 promotes the BEIM interrupt to the interrupt controller.          |
| 8         | PEIM     | R/W  | 0     | UART Parity Error Interrupt Mask<br>On a read, the current mask for the PEIM interrupt is returned.<br>Setting this bit to 1 promotes the PEIM interrupt to the interrupt controller.         |
| 7         | FEIM     | R/W  | 0     | UART Framing Error Interrupt Mask<br>On a read, the current mask for the FEIM interrupt is returned.<br>Setting this bit to 1 promotes the FEIM interrupt to the interrupt controller.        |
| 6         | RTIM     | R/W  | 0     | UART Receive Time-Out Interrupt Mask<br>On a read, the current mask for the RTIM interrupt is returned.<br>Setting this bit to 1 promotes the RTIM interrupt to the interrupt controller.     |
| 5         | TXIM     | R/W  | 0     | UART Transmit Interrupt Mask<br>On a read, the current mask for the TXIM interrupt is returned.<br>Setting this bit to 1 promotes the TXIM interrupt to the interrupt controller.             |
| 4         | RXIM     | R/W  | 0     | UART Receive Interrupt Mask<br>On a read, the current mask for the RXIM interrupt is returned.<br>Setting this bit to 1 promotes the RXIM interrupt to the interrupt controller.              |

| Bit/Field | Name     | Type | Reset | Description   |
|-----------|----------|------|-------|---|
| 3:0       | reserved | RO   | 0x00  | Software should not rely on the value of a reserved bit. To provide compatibility with future products, the value of a reserved bit should be preserved across a read-modify-write operation. |

## Register 10: UART Raw Interrupt Status (UARTRIS), offset 0x03C

The **UARTRIS** register is the raw interrupt status register. On a read, this register gives the current raw status value of the corresponding interrupt. A write has no effect.

### UART Raw Interrupt Status (UARTRIS)

UART0 base: 0x4000.C000  
 UART1 base: 0x4000.D000  
 Offset 0x03C  
 Type RO, reset 0x0000.000F

|       |          |    |    |    |       |       |       |       |       |       |       |          |    |    |    |    |
|-------|----------|----|----|----|-------|-------|-------|-------|-------|-------|-------|----------|----|----|----|----|
|       | 31       | 30 | 29 | 28 | 27    | 26    | 25    | 24    | 23    | 22    | 21    | 20       | 19 | 18 | 17 | 16 |
|       | reserved |    |    |    |       |       |       |       |       |       |       |          |    |    |    |    |
| Type  | RO       | RO | RO | RO | RO    | RO    | RO    | RO    | RO    | RO    | RO    | RO       | RO | RO | RO | RO |
| Reset | 0        | 0  | 0  | 0  | 0     | 0     | 0     | 0     | 0     | 0     | 0     | 0        | 0  | 0  | 0  | 0  |
|       | 15       | 14 | 13 | 12 | 11    | 10    | 9     | 8     | 7     | 6     | 5     | 4        | 3  | 2  | 1  | 0  |
|       | reserved |    |    |    | OERIS | BERIS | PERIS | FERIS | RTRIS | TXRIS | RXRIS | reserved |    |    |    |    |
| Type  | RO       | RO | RO | RO | RO    | RO    | RO    | RO    | RO    | RO    | RO    | RO       | RO | RO | RO | RO |
| Reset | 0        | 0  | 0  | 0  | 0     | 0     | 0     | 0     | 0     | 0     | 0     | 0        | 1  | 1  | 1  | 1  |

| Bit/Field | Name     | Type | Reset | Description   |
|-----------|----------|------|-------|---|
| 31:11     | reserved | RO   | 0x00  | Software should not rely on the value of a reserved bit. To provide compatibility with future products, the value of a reserved bit should be preserved across a read-modify-write operation. |
| 10        | OERIS    | RO   | 0     | UART Overrun Error Raw Interrupt Status<br>Gives the raw interrupt state (prior to masking) of this interrupt.  |
| 9         | BERIS    | RO   | 0     | UART Break Error Raw Interrupt Status<br>Gives the raw interrupt state (prior to masking) of this interrupt.  |
| 8         | PERIS    | RO   | 0     | UART Parity Error Raw Interrupt Status<br>Gives the raw interrupt state (prior to masking) of this interrupt.   |
| 7         | FERIS    | RO   | 0     | UART Framing Error Raw Interrupt Status<br>Gives the raw interrupt state (prior to masking) of this interrupt.  |
| 6         | RTRIS    | RO   | 0     | UART Receive Time-Out Raw Interrupt Status<br>Gives the raw interrupt state (prior to masking) of this interrupt.   |
| 5         | TXRIS    | RO   | 0     | UART Transmit Raw Interrupt Status<br>Gives the raw interrupt state (prior to masking) of this interrupt.   |
| 4         | RXRIS    | RO   | 0     | UART Receive Raw Interrupt Status<br>Gives the raw interrupt state (prior to masking) of this interrupt.  |
| 3:0       | reserved | RO   | 0xF   | Software should not rely on the value of a reserved bit. To provide compatibility with future products, the value of a reserved bit should be preserved across a read-modify-write operation. |

### Register 11: UART Masked Interrupt Status (UARTMIS), offset 0x040

The **UARTMIS** register is the masked interrupt status register. On a read, this register gives the current masked status value of the corresponding interrupt. A write has no effect.

#### UART Masked Interrupt Status (UARTMIS)

UART0 base: 0x4000.C000  
 UART1 base: 0x4000.D000  
 Offset 0x040  
 Type RO, reset 0x0000.0000

|       |          |    |    |    |       |       |       |       |       |       |       |          |    |    |    |    |
|-------|----------|----|----|----|-------|-------|-------|-------|-------|-------|-------|----------|----|----|----|----|
|       | 31       | 30 | 29 | 28 | 27    | 26    | 25    | 24    | 23    | 22    | 21    | 20       | 19 | 18 | 17 | 16 |
|       | reserved |    |    |    |       |       |       |       |       |       |       |          |    |    |    |    |
| Type  | RO       | RO | RO | RO | RO    | RO    | RO    | RO    | RO    | RO    | RO    | RO       | RO | RO | RO | RO |
| Reset | 0        | 0  | 0  | 0  | 0     | 0     | 0     | 0     | 0     | 0     | 0     | 0        | 0  | 0  | 0  | 0  |
|       | 15       | 14 | 13 | 12 | 11    | 10    | 9     | 8     | 7     | 6     | 5     | 4        | 3  | 2  | 1  | 0  |
|       | reserved |    |    |    | OEMIS | BEMIS | PEMIS | FEMIS | RTMIS | TXMIS | RXMIS | reserved |    |    |    |    |
| Type  | RO       | RO | RO | RO | RO    | RO    | RO    | RO    | RO    | RO    | RO    | RO       | RO | RO | RO | RO |
| Reset | 0        | 0  | 0  | 0  | 0     | 0     | 0     | 0     | 0     | 0     | 0     | 0        | 0  | 0  | 0  | 0  |

| Bit/Field | Name     | Type | Reset | Description   |
|-----------|----------|------|-------|---|
| 31:11     | reserved | RO   | 0x00  | Software should not rely on the value of a reserved bit. To provide compatibility with future products, the value of a reserved bit should be preserved across a read-modify-write operation. |
| 10        | OEMIS    | RO   | 0     | UART Overrun Error Masked Interrupt Status<br>Gives the masked interrupt state of this interrupt.   |
| 9         | BEMIS    | RO   | 0     | UART Break Error Masked Interrupt Status<br>Gives the masked interrupt state of this interrupt.   |
| 8         | PEMIS    | RO   | 0     | UART Parity Error Masked Interrupt Status<br>Gives the masked interrupt state of this interrupt.  |
| 7         | FEMIS    | RO   | 0     | UART Framing Error Masked Interrupt Status<br>Gives the masked interrupt state of this interrupt.   |
| 6         | RTMIS    | RO   | 0     | UART Receive Time-Out Masked Interrupt Status<br>Gives the masked interrupt state of this interrupt.  |
| 5         | TXMIS    | RO   | 0     | UART Transmit Masked Interrupt Status<br>Gives the masked interrupt state of this interrupt.  |
| 4         | RXMIS    | RO   | 0     | UART Receive Masked Interrupt Status<br>Gives the masked interrupt state of this interrupt.   |
| 3:0       | reserved | RO   | 0     | Software should not rely on the value of a reserved bit. To provide compatibility with future products, the value of a reserved bit should be preserved across a read-modify-write operation. |

## Register 12: UART Interrupt Clear (UARTICR), offset 0x044

The **UARTICR** register is the interrupt clear register. On a write of 1, the corresponding interrupt (both raw interrupt and masked interrupt, if enabled) is cleared. A write of 0 has no effect.

### UART Interrupt Clear (UARTICR)

UART0 base: 0x4000.C000

UART1 base: 0x4000.D000

Offset 0x044

Type W1C, reset 0x0000.0000

|       |          |    |    |    |    |      |      |      |      |      |      |      |          |    |    |    |    |
|-------|----------|----|----|----|----|------|------|------|------|------|------|------|----------|----|----|----|----|
|       | 31       | 30 | 29 | 28 | 27 | 26   | 25   | 24   | 23   | 22   | 21   | 20   | 19       | 18 | 17 | 16 |    |
|       | reserved |    |    |    |    |      |      |      |      |      |      |      |          |    |    |    |    |
| Type  | RO       | RO | RO | RO | RO | RO   | RO   | RO   | RO   | RO   | RO   | RO   | RO       | RO | RO | RO |    |
| Reset | 0        | 0  | 0  | 0  | 0  | 0    | 0    | 0    | 0    | 0    | 0    | 0    | 0        | 0  | 0  | 0  |    |
|       | 15       | 14 | 13 | 12 | 11 | 10   | 9    | 8    | 7    | 6    | 5    | 4    | 3        | 2  | 1  | 0  |    |
|       | reserved |    |    |    |    | OEIC | BEIC | PEIC | FEIC | RTIC | TXIC | RXIC | reserved |    |    |    |    |
| Type  | RO       | RO | RO | RO | RO | W1C  | W1C  | W1C  | W1C  | W1C  | W1C  | W1C  | W1C      | RO | RO | RO | RO |
| Reset | 0        | 0  | 0  | 0  | 0  | 0    | 0    | 0    | 0    | 0    | 0    | 0    | 0        | 0  | 0  | 0  | 0  |

| Bit/Field | Name     | Type | Reset | Description   |
|-----------|----------|------|-------|---|
| 31:11     | reserved | RO   | 0x00  | Software should not rely on the value of a reserved bit. To provide compatibility with future products, the value of a reserved bit should be preserved across a read-modify-write operation. |
| 10        | OEIC     | W1C  | 0     | Overrun Error Interrupt Clear<br>The <b>OEIC</b> values are defined as follows:<br><br>Value Description<br>0 No effect on the interrupt.<br>1 Clears interrupt.                              |
| 9         | BEIC     | W1C  | 0     | Break Error Interrupt Clear<br>The <b>BEIC</b> values are defined as follows:<br><br>Value Description<br>0 No effect on the interrupt.<br>1 Clears interrupt.                                |
| 8         | PEIC     | W1C  | 0     | Parity Error Interrupt Clear<br>The <b>PEIC</b> values are defined as follows:<br><br>Value Description<br>0 No effect on the interrupt.<br>1 Clears interrupt.                               |
| 7         | FEIC     | W1C  | 0     | Framing Error Interrupt Clear<br>The <b>FEIC</b> values are defined as follows:<br><br>Value Description<br>0 No effect on the interrupt.<br>1 Clears interrupt.                              |

| Bit/Field | Name     | Type | Reset | Description   |
|-----------|----------|------|-------|---|
| 6         | RTIC     | W1C  | 0     | Receive Time-Out Interrupt Clear<br>The RTIC values are defined as follows:<br><br>Value Description<br>0 No effect on the interrupt.<br>1 Clears interrupt.                                  |
| 5         | TXIC     | W1C  | 0     | Transmit Interrupt Clear<br>The TXIC values are defined as follows:<br><br>Value Description<br>0 No effect on the interrupt.<br>1 Clears interrupt.  |
| 4         | RXIC     | W1C  | 0     | Receive Interrupt Clear<br>The RXIC values are defined as follows:<br><br>Value Description<br>0 No effect on the interrupt.<br>1 Clears interrupt.   |
| 3:0       | reserved | RO   | 0x00  | Software should not rely on the value of a reserved bit. To provide compatibility with future products, the value of a reserved bit should be preserved across a read-modify-write operation. |

**Register 13: UART Peripheral Identification 4 (UARTPeriphID4), offset 0xFD0**

The **UARTPeriphIDn** registers are hard-coded and the fields within the registers determine the reset values.

**UART Peripheral Identification 4 (UARTPeriphID4)**

UART0 base: 0x4000.C000

UART1 base: 0x4000.D000

Offset 0xFD0

Type RO, reset 0x0000.0000

|       |          |    |    |    |    |    |    |    |      |    |    |    |    |    |    |    |
|-------|----------|----|----|----|----|----|----|----|------|----|----|----|----|----|----|----|
|       | 31       | 30 | 29 | 28 | 27 | 26 | 25 | 24 | 23   | 22 | 21 | 20 | 19 | 18 | 17 | 16 |
|       | reserved |    |    |    |    |    |    |    |      |    |    |    |    |    |    |    |
| Type  | RO       | RO | RO | RO | RO | RO | RO | RO | RO   | RO | RO | RO | RO | RO | RO | RO |
| Reset | 0        | 0  | 0  | 0  | 0  | 0  | 0  | 0  | 0    | 0  | 0  | 0  | 0  | 0  | 0  | 0  |
|       | 15       | 14 | 13 | 12 | 11 | 10 | 9  | 8  | 7    | 6  | 5  | 4  | 3  | 2  | 1  | 0  |
|       | reserved |    |    |    |    |    |    |    | PID4 |    |    |    |    |    |    |    |
| Type  | RO       | RO | RO | RO | RO | RO | RO | RO | RO   | RO | RO | RO | RO | RO | RO | RO |
| Reset | 0        | 0  | 0  | 0  | 0  | 0  | 0  | 0  | 0    | 0  | 0  | 0  | 0  | 0  | 0  | 0  |

| Bit/Field | Name     | Type | Reset  | Description   |
|-----------|----------|------|--------|---|
| 31:8      | reserved | RO   | 0x00   | Software should not rely on the value of a reserved bit. To provide compatibility with future products, the value of a reserved bit should be preserved across a read-modify-write operation. |
| 7:0       | PID4     | RO   | 0x0000 | UART Peripheral ID Register[7:0]<br>Can be used by software to identify the presence of this peripheral.  |

### Register 14: UART Peripheral Identification 5 (UARTPeriphID5), offset 0xFD4

The **UARTPeriphIDn** registers are hard-coded and the fields within the registers determine the reset values.

#### UART Peripheral Identification 5 (UARTPeriphID5)

UART0 base: 0x4000.C000  
 UART1 base: 0x4000.D000  
 Offset 0xFD4  
 Type RO, reset 0x0000.0000

|       |          |    |    |    |    |    |    |    |      |    |    |    |    |    |    |    |
|-------|----------|----|----|----|----|----|----|----|------|----|----|----|----|----|----|----|
|       | 31       | 30 | 29 | 28 | 27 | 26 | 25 | 24 | 23   | 22 | 21 | 20 | 19 | 18 | 17 | 16 |
|       | reserved |    |    |    |    |    |    |    |      |    |    |    |    |    |    |    |
| Type  | RO       | RO | RO | RO | RO | RO | RO | RO | RO   | RO | RO | RO | RO | RO | RO | RO |
| Reset | 0        | 0  | 0  | 0  | 0  | 0  | 0  | 0  | 0    | 0  | 0  | 0  | 0  | 0  | 0  | 0  |
|       | 15       | 14 | 13 | 12 | 11 | 10 | 9  | 8  | 7    | 6  | 5  | 4  | 3  | 2  | 1  | 0  |
|       | reserved |    |    |    |    |    |    |    | PID5 |    |    |    |    |    |    |    |
| Type  | RO       | RO | RO | RO | RO | RO | RO | RO | RO   | RO | RO | RO | RO | RO | RO | RO |
| Reset | 0        | 0  | 0  | 0  | 0  | 0  | 0  | 0  | 0    | 0  | 0  | 0  | 0  | 0  | 0  | 0  |

| Bit/Field | Name     | Type | Reset  | Description   |
|-----------|----------|------|--------|---|
| 31:8      | reserved | RO   | 0x00   | Software should not rely on the value of a reserved bit. To provide compatibility with future products, the value of a reserved bit should be preserved across a read-modify-write operation. |
| 7:0       | PID5     | RO   | 0x0000 | UART Peripheral ID Register[15:8]<br>Can be used by software to identify the presence of this peripheral.   |

**Register 15: UART Peripheral Identification 6 (UARTPeriphID6), offset 0xFD8**

The **UARTPeriphIDn** registers are hard-coded and the fields within the registers determine the reset values.

**UART Peripheral Identification 6 (UARTPeriphID6)**

UART0 base: 0x4000.C000

UART1 base: 0x4000.D000

Offset 0xFD8

Type RO, reset 0x0000.0000

|       |          |    |    |    |    |    |    |    |      |    |    |    |    |    |    |    |
|-------|----------|----|----|----|----|----|----|----|------|----|----|----|----|----|----|----|
|       | 31       | 30 | 29 | 28 | 27 | 26 | 25 | 24 | 23   | 22 | 21 | 20 | 19 | 18 | 17 | 16 |
|       | reserved |    |    |    |    |    |    |    |      |    |    |    |    |    |    |    |
| Type  | RO       | RO | RO | RO | RO | RO | RO | RO | RO   | RO | RO | RO | RO | RO | RO | RO |
| Reset | 0        | 0  | 0  | 0  | 0  | 0  | 0  | 0  | 0    | 0  | 0  | 0  | 0  | 0  | 0  | 0  |
|       | 15       | 14 | 13 | 12 | 11 | 10 | 9  | 8  | 7    | 6  | 5  | 4  | 3  | 2  | 1  | 0  |
|       | reserved |    |    |    |    |    |    |    | PID6 |    |    |    |    |    |    |    |
| Type  | RO       | RO | RO | RO | RO | RO | RO | RO | RO   | RO | RO | RO | RO | RO | RO | RO |
| Reset | 0        | 0  | 0  | 0  | 0  | 0  | 0  | 0  | 0    | 0  | 0  | 0  | 0  | 0  | 0  | 0  |

| Bit/Field | Name     | Type | Reset  | Description   |
|-----------|----------|------|--------|---|
| 31:8      | reserved | RO   | 0x00   | Software should not rely on the value of a reserved bit. To provide compatibility with future products, the value of a reserved bit should be preserved across a read-modify-write operation. |
| 7:0       | PID6     | RO   | 0x0000 | UART Peripheral ID Register[23:16]<br>Can be used by software to identify the presence of this peripheral.  |

### Register 16: UART Peripheral Identification 7 (UARTPeriphID7), offset 0xFDC

The **UARTPeriphIDn** registers are hard-coded and the fields within the registers determine the reset values.

#### UART Peripheral Identification 7 (UARTPeriphID7)

UART0 base: 0x4000.C000  
 UART1 base: 0x4000.D000  
 Offset 0xFDC  
 Type RO, reset 0x0000.0000

|       |          |    |    |    |    |    |    |    |      |    |    |    |    |    |    |    |
|-------|----------|----|----|----|----|----|----|----|------|----|----|----|----|----|----|----|
|       | 31       | 30 | 29 | 28 | 27 | 26 | 25 | 24 | 23   | 22 | 21 | 20 | 19 | 18 | 17 | 16 |
|       | reserved |    |    |    |    |    |    |    |      |    |    |    |    |    |    |    |
| Type  | RO       | RO | RO | RO | RO | RO | RO | RO | RO   | RO | RO | RO | RO | RO | RO | RO |
| Reset | 0        | 0  | 0  | 0  | 0  | 0  | 0  | 0  | 0    | 0  | 0  | 0  | 0  | 0  | 0  | 0  |
|       | 15       | 14 | 13 | 12 | 11 | 10 | 9  | 8  | 7    | 6  | 5  | 4  | 3  | 2  | 1  | 0  |
|       | reserved |    |    |    |    |    |    |    | PID7 |    |    |    |    |    |    |    |
| Type  | RO       | RO | RO | RO | RO | RO | RO | RO | RO   | RO | RO | RO | RO | RO | RO | RO |
| Reset | 0        | 0  | 0  | 0  | 0  | 0  | 0  | 0  | 0    | 0  | 0  | 0  | 0  | 0  | 0  | 0  |

| Bit/Field | Name     | Type | Reset  | Description   |
|-----------|----------|------|--------|---|
| 31:8      | reserved | RO   | 0      | Software should not rely on the value of a reserved bit. To provide compatibility with future products, the value of a reserved bit should be preserved across a read-modify-write operation. |
| 7:0       | PID7     | RO   | 0x0000 | UART Peripheral ID Register[31:24]<br>Can be used by software to identify the presence of this peripheral.  |

**Register 17: UART Peripheral Identification 0 (UARTPeriphID0), offset 0xFE0**

The **UARTPeriphIDn** registers are hard-coded and the fields within the registers determine the reset values.

**UART Peripheral Identification 0 (UARTPeriphID0)**

UART0 base: 0x4000.C000

UART1 base: 0x4000.D000

Offset 0xFE0

Type RO, reset 0x0000.0011

|       |          |    |    |    |    |    |    |    |      |    |    |    |    |    |    |    |
|-------|----------|----|----|----|----|----|----|----|------|----|----|----|----|----|----|----|
|       | 31       | 30 | 29 | 28 | 27 | 26 | 25 | 24 | 23   | 22 | 21 | 20 | 19 | 18 | 17 | 16 |
|       | reserved |    |    |    |    |    |    |    |      |    |    |    |    |    |    |    |
| Type  | RO       | RO | RO | RO | RO | RO | RO | RO | RO   | RO | RO | RO | RO | RO | RO | RO |
| Reset | 0        | 0  | 0  | 0  | 0  | 0  | 0  | 0  | 0    | 0  | 0  | 0  | 0  | 0  | 0  | 0  |
|       | 15       | 14 | 13 | 12 | 11 | 10 | 9  | 8  | 7    | 6  | 5  | 4  | 3  | 2  | 1  | 0  |
|       | reserved |    |    |    |    |    |    |    | PID0 |    |    |    |    |    |    |    |
| Type  | RO       | RO | RO | RO | RO | RO | RO | RO | RO   | RO | RO | RO | RO | RO | RO | RO |
| Reset | 0        | 0  | 0  | 0  | 0  | 0  | 0  | 0  | 0    | 0  | 0  | 0  | 1  | 0  | 0  | 1  |

| Bit/Field | Name     | Type | Reset | Description   |
|-----------|----------|------|-------|---|
| 31:8      | reserved | RO   | 0x00  | Software should not rely on the value of a reserved bit. To provide compatibility with future products, the value of a reserved bit should be preserved across a read-modify-write operation. |
| 7:0       | PID0     | RO   | 0x11  | UART Peripheral ID Register[7:0]<br>Can be used by software to identify the presence of this peripheral.  |

### Register 18: UART Peripheral Identification 1 (UARTPeriphID1), offset 0xFE4

The **UARTPeriphIDn** registers are hard-coded and the fields within the registers determine the reset values.

#### UART Peripheral Identification 1 (UARTPeriphID1)

UART0 base: 0x4000.C000  
 UART1 base: 0x4000.D000  
 Offset 0xFE4  
 Type RO, reset 0x0000.0000

|       |          |    |    |    |    |    |    |    |      |    |    |    |    |    |    |    |
|-------|----------|----|----|----|----|----|----|----|------|----|----|----|----|----|----|----|
|       | 31       | 30 | 29 | 28 | 27 | 26 | 25 | 24 | 23   | 22 | 21 | 20 | 19 | 18 | 17 | 16 |
|       | reserved |    |    |    |    |    |    |    |      |    |    |    |    |    |    |    |
| Type  | RO       | RO | RO | RO | RO | RO | RO | RO | RO   | RO | RO | RO | RO | RO | RO | RO |
| Reset | 0        | 0  | 0  | 0  | 0  | 0  | 0  | 0  | 0    | 0  | 0  | 0  | 0  | 0  | 0  | 0  |
|       | 15       | 14 | 13 | 12 | 11 | 10 | 9  | 8  | 7    | 6  | 5  | 4  | 3  | 2  | 1  | 0  |
|       | reserved |    |    |    |    |    |    |    | PID1 |    |    |    |    |    |    |    |
| Type  | RO       | RO | RO | RO | RO | RO | RO | RO | RO   | RO | RO | RO | RO | RO | RO | RO |
| Reset | 0        | 0  | 0  | 0  | 0  | 0  | 0  | 0  | 0    | 0  | 0  | 0  | 0  | 0  | 0  | 0  |

| Bit/Field | Name     | Type | Reset | Description   |
|-----------|----------|------|-------|---|
| 31:8      | reserved | RO   | 0x00  | Software should not rely on the value of a reserved bit. To provide compatibility with future products, the value of a reserved bit should be preserved across a read-modify-write operation. |
| 7:0       | PID1     | RO   | 0x00  | UART Peripheral ID Register[15:8]<br>Can be used by software to identify the presence of this peripheral.   |

**Register 19: UART Peripheral Identification 2 (UARTPeriphID2), offset 0xFE8**

The **UARTPeriphIDn** registers are hard-coded and the fields within the registers determine the reset values.

## UART Peripheral Identification 2 (UARTPeriphID2)

UART0 base: 0x4000.C000

UART1 base: 0x4000.D000

Offset 0xFE8

Type RO, reset 0x0000.0018

|       |          |    |    |    |    |    |    |    |      |    |    |    |    |    |    |    |
|-------|----------|----|----|----|----|----|----|----|------|----|----|----|----|----|----|----|
|       | 31       | 30 | 29 | 28 | 27 | 26 | 25 | 24 | 23   | 22 | 21 | 20 | 19 | 18 | 17 | 16 |
|       | reserved |    |    |    |    |    |    |    |      |    |    |    |    |    |    |    |
| Type  | RO       | RO | RO | RO | RO | RO | RO | RO | RO   | RO | RO | RO | RO | RO | RO | RO |
| Reset | 0        | 0  | 0  | 0  | 0  | 0  | 0  | 0  | 0    | 0  | 0  | 0  | 0  | 0  | 0  | 0  |
|       | 15       | 14 | 13 | 12 | 11 | 10 | 9  | 8  | 7    | 6  | 5  | 4  | 3  | 2  | 1  | 0  |
|       | reserved |    |    |    |    |    |    |    | PID2 |    |    |    |    |    |    |    |
| Type  | RO       | RO | RO | RO | RO | RO | RO | RO | RO   | RO | RO | RO | RO | RO | RO | RO |
| Reset | 0        | 0  | 0  | 0  | 0  | 0  | 0  | 0  | 0    | 0  | 0  | 0  | 1  | 1  | 0  | 0  |

| Bit/Field | Name     | Type | Reset | Description   |
|-----------|----------|------|-------|---|
| 31:8      | reserved | RO   | 0x00  | Software should not rely on the value of a reserved bit. To provide compatibility with future products, the value of a reserved bit should be preserved across a read-modify-write operation. |
| 7:0       | PID2     | RO   | 0x18  | UART Peripheral ID Register[23:16]<br>Can be used by software to identify the presence of this peripheral.  |

## Register 20: UART Peripheral Identification 3 (UARTPeriphID3), offset 0xFEC

The **UARTPeriphIDn** registers are hard-coded and the fields within the registers determine the reset values.

### UART Peripheral Identification 3 (UARTPeriphID3)

UART0 base: 0x4000.C000

UART1 base: 0x4000.D000

Offset 0xFEC

Type RO, reset 0x0000.0001

|       |          |    |    |    |    |    |    |    |      |    |    |    |    |    |    |    |
|-------|----------|----|----|----|----|----|----|----|------|----|----|----|----|----|----|----|
|       | 31       | 30 | 29 | 28 | 27 | 26 | 25 | 24 | 23   | 22 | 21 | 20 | 19 | 18 | 17 | 16 |
|       | reserved |    |    |    |    |    |    |    |      |    |    |    |    |    |    |    |
| Type  | RO       | RO | RO | RO | RO | RO | RO | RO | RO   | RO | RO | RO | RO | RO | RO | RO |
| Reset | 0        | 0  | 0  | 0  | 0  | 0  | 0  | 0  | 0    | 0  | 0  | 0  | 0  | 0  | 0  | 0  |
|       | 15       | 14 | 13 | 12 | 11 | 10 | 9  | 8  | 7    | 6  | 5  | 4  | 3  | 2  | 1  | 0  |
|       | reserved |    |    |    |    |    |    |    | PID3 |    |    |    |    |    |    |    |
| Type  | RO       | RO | RO | RO | RO | RO | RO | RO | RO   | RO | RO | RO | RO | RO | RO | RO |
| Reset | 0        | 0  | 0  | 0  | 0  | 0  | 0  | 0  | 0    | 0  | 0  | 0  | 0  | 0  | 0  | 1  |

| Bit/Field | Name     | Type | Reset | Description   |
|-----------|----------|------|-------|---|
| 31:8      | reserved | RO   | 0x00  | Software should not rely on the value of a reserved bit. To provide compatibility with future products, the value of a reserved bit should be preserved across a read-modify-write operation. |
| 7:0       | PID3     | RO   | 0x01  | UART Peripheral ID Register[31:24]<br>Can be used by software to identify the presence of this peripheral.  |

**Register 21: UART PrimeCell Identification 0 (UARTPCellID0), offset 0xFF0**

The **UARTPCellIDn** registers are hard-coded and the fields within the registers determine the reset values.

## UART PrimeCell Identification 0 (UARTPCellID0)

UART0 base: 0x4000.C000

UART1 base: 0x4000.D000

Offset 0xFF0

Type RO, reset 0x0000.000D

|       |          |    |    |    |    |    |    |    |      |    |    |    |    |    |    |    |
|-------|----------|----|----|----|----|----|----|----|------|----|----|----|----|----|----|----|
|       | 31       | 30 | 29 | 28 | 27 | 26 | 25 | 24 | 23   | 22 | 21 | 20 | 19 | 18 | 17 | 16 |
|       | reserved |    |    |    |    |    |    |    |      |    |    |    |    |    |    |    |
| Type  | RO       | RO | RO | RO | RO | RO | RO | RO | RO   | RO | RO | RO | RO | RO | RO | RO |
| Reset | 0        | 0  | 0  | 0  | 0  | 0  | 0  | 0  | 0    | 0  | 0  | 0  | 0  | 0  | 0  | 0  |
|       | 15       | 14 | 13 | 12 | 11 | 10 | 9  | 8  | 7    | 6  | 5  | 4  | 3  | 2  | 1  | 0  |
|       | reserved |    |    |    |    |    |    |    | CID0 |    |    |    |    |    |    |    |
| Type  | RO       | RO | RO | RO | RO | RO | RO | RO | RO   | RO | RO | RO | RO | RO | RO | RO |
| Reset | 0        | 0  | 0  | 0  | 0  | 0  | 0  | 0  | 0    | 0  | 0  | 0  | 1  | 1  | 0  | 1  |

| Bit/Field | Name     | Type | Reset | Description   |
|-----------|----------|------|-------|---|
| 31:8      | reserved | RO   | 0x00  | Software should not rely on the value of a reserved bit. To provide compatibility with future products, the value of a reserved bit should be preserved across a read-modify-write operation. |
| 7:0       | CID0     | RO   | 0x0D  | UART PrimeCell ID Register[7:0]<br>Provides software a standard cross-peripheral identification system.   |

## Register 22: UART PrimeCell Identification 1 (UARTPCellID1), offset 0xFF4

The **UARTPCellIDn** registers are hard-coded and the fields within the registers determine the reset values.

### UART PrimeCell Identification 1 (UARTPCellID1)

UART0 base: 0x4000.C000  
 UART1 base: 0x4000.D000  
 Offset 0xFF4  
 Type RO, reset 0x0000.00F0

|       |          |    |    |    |    |    |    |    |      |    |    |    |    |    |    |    |
|-------|----------|----|----|----|----|----|----|----|------|----|----|----|----|----|----|----|
|       | 31       | 30 | 29 | 28 | 27 | 26 | 25 | 24 | 23   | 22 | 21 | 20 | 19 | 18 | 17 | 16 |
|       | reserved |    |    |    |    |    |    |    |      |    |    |    |    |    |    |    |
| Type  | RO       | RO | RO | RO | RO | RO | RO | RO | RO   | RO | RO | RO | RO | RO | RO | RO |
| Reset | 0        | 0  | 0  | 0  | 0  | 0  | 0  | 0  | 0    | 0  | 0  | 0  | 0  | 0  | 0  | 0  |
|       | 15       | 14 | 13 | 12 | 11 | 10 | 9  | 8  | 7    | 6  | 5  | 4  | 3  | 2  | 1  | 0  |
|       | reserved |    |    |    |    |    |    |    | CID1 |    |    |    |    |    |    |    |
| Type  | RO       | RO | RO | RO | RO | RO | RO | RO | RO   | RO | RO | RO | RO | RO | RO | RO |
| Reset | 0        | 0  | 0  | 0  | 0  | 0  | 0  | 0  | 1    | 1  | 1  | 1  | 0  | 0  | 0  | 0  |

| Bit/Field | Name     | Type | Reset | Description   |
|-----------|----------|------|-------|---|
| 31:8      | reserved | RO   | 0x00  | Software should not rely on the value of a reserved bit. To provide compatibility with future products, the value of a reserved bit should be preserved across a read-modify-write operation. |
| 7:0       | CID1     | RO   | 0xF0  | UART PrimeCell ID Register[15:8]<br>Provides software a standard cross-peripheral identification system.  |

**Register 23: UART PrimeCell Identification 2 (UARTPCIID2), offset 0xFF8**

The **UARTPCIIDn** registers are hard-coded and the fields within the registers determine the reset values.

## UART PrimeCell Identification 2 (UARTPCIID2)

UART0 base: 0x4000.C000

UART1 base: 0x4000.D000

Offset 0xFF8

Type RO, reset 0x0000.0005

|       |          |    |    |    |    |    |    |    |      |    |    |    |    |    |    |    |
|-------|----------|----|----|----|----|----|----|----|------|----|----|----|----|----|----|----|
|       | 31       | 30 | 29 | 28 | 27 | 26 | 25 | 24 | 23   | 22 | 21 | 20 | 19 | 18 | 17 | 16 |
|       | reserved |    |    |    |    |    |    |    |      |    |    |    |    |    |    |    |
| Type  | RO       | RO | RO | RO | RO | RO | RO | RO | RO   | RO | RO | RO | RO | RO | RO | RO |
| Reset | 0        | 0  | 0  | 0  | 0  | 0  | 0  | 0  | 0    | 0  | 0  | 0  | 0  | 0  | 0  | 0  |
|       | 15       | 14 | 13 | 12 | 11 | 10 | 9  | 8  | 7    | 6  | 5  | 4  | 3  | 2  | 1  | 0  |
|       | reserved |    |    |    |    |    |    |    | CID2 |    |    |    |    |    |    |    |
| Type  | RO       | RO | RO | RO | RO | RO | RO | RO | RO   | RO | RO | RO | RO | RO | RO | RO |
| Reset | 0        | 0  | 0  | 0  | 0  | 0  | 0  | 0  | 0    | 0  | 0  | 0  | 0  | 0  | 1  | 0  |

| Bit/Field | Name     | Type | Reset | Description   |
|-----------|----------|------|-------|---|
| 31:8      | reserved | RO   | 0x00  | Software should not rely on the value of a reserved bit. To provide compatibility with future products, the value of a reserved bit should be preserved across a read-modify-write operation. |
| 7:0       | CID2     | RO   | 0x05  | UART PrimeCell ID Register[23:16]<br>Provides software a standard cross-peripheral identification system.   |

### Register 24: UART PrimeCell Identification 3 (UARTPCelIID3), offset 0xFFC

The **UARTPCelIIDn** registers are hard-coded and the fields within the registers determine the reset values.

#### UART PrimeCell Identification 3 (UARTPCelIID3)

UART0 base: 0x4000.C000  
 UART1 base: 0x4000.D000  
 Offset 0xFFC  
 Type RO, reset 0x0000.00B1

|       |          |    |    |    |    |    |    |    |      |    |    |    |    |    |    |    |
|-------|----------|----|----|----|----|----|----|----|------|----|----|----|----|----|----|----|
|       | 31       | 30 | 29 | 28 | 27 | 26 | 25 | 24 | 23   | 22 | 21 | 20 | 19 | 18 | 17 | 16 |
|       | reserved |    |    |    |    |    |    |    |      |    |    |    |    |    |    |    |
| Type  | RO       | RO | RO | RO | RO | RO | RO | RO | RO   | RO | RO | RO | RO | RO | RO | RO |
| Reset | 0        | 0  | 0  | 0  | 0  | 0  | 0  | 0  | 0    | 0  | 0  | 0  | 0  | 0  | 0  | 0  |
|       | 15       | 14 | 13 | 12 | 11 | 10 | 9  | 8  | 7    | 6  | 5  | 4  | 3  | 2  | 1  | 0  |
|       | reserved |    |    |    |    |    |    |    | CID3 |    |    |    |    |    |    |    |
| Type  | RO       | RO | RO | RO | RO | RO | RO | RO | RO   | RO | RO | RO | RO | RO | RO | RO |
| Reset | 0        | 0  | 0  | 0  | 0  | 0  | 0  | 0  | 1    | 0  | 1  | 1  | 0  | 0  | 0  | 1  |

| Bit/Field | Name     | Type | Reset | Description   |
|-----------|----------|------|-------|---|
| 31:8      | reserved | RO   | 0x00  | Software should not rely on the value of a reserved bit. To provide compatibility with future products, the value of a reserved bit should be preserved across a read-modify-write operation. |
| 7:0       | CID3     | RO   | 0xB1  | UART PrimeCell ID Register[31:24]<br>Provides software a standard cross-peripheral identification system.   |

# 11 Synchronous Serial Interface (SSI)

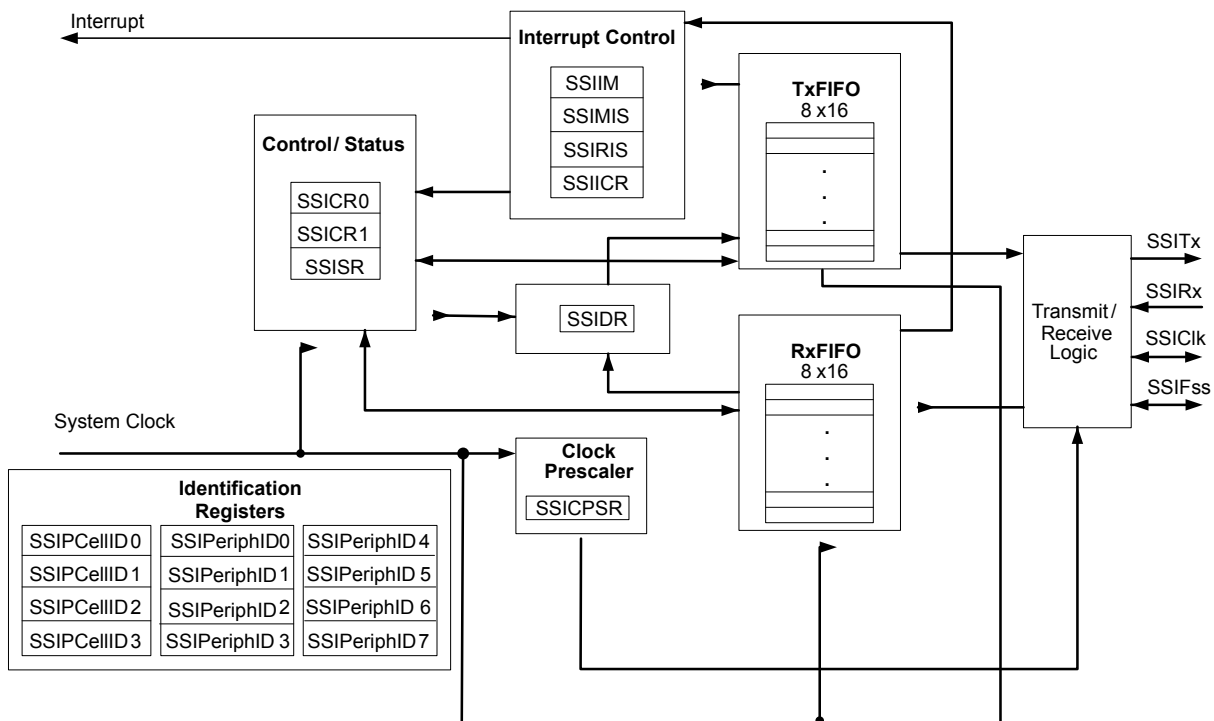
The Stellaris® Synchronous Serial Interface (SSI) is a master or slave interface for synchronous serial communication with peripheral devices that have either Freescale SPI, MICROWIRE, or Texas Instruments synchronous serial interfaces.

The Stellaris SSI module has the following features:

- Master or slave operation
- Programmable clock bit rate and prescale
- Separate transmit and receive FIFOs, 16 bits wide, 8 locations deep
- Programmable interface operation for Freescale SPI, MICROWIRE, or Texas Instruments synchronous serial interfaces
- Programmable data frame size from 4 to 16 bits
- Internal loopback test mode for diagnostic/debug testing

## 11.1 Block Diagram

Figure 11-1. SSI Module Block Diagram



## 11.2 Signal Description

Table 11-1 on page 368 and Table 11-2 on page 368 list the external signals of the SSI module and describe the function of each. The SSI signals are alternate functions for some GPIO signals and

default to be GPIO signals at reset., with the exception of the `SSI0Clk`, `SSI0Fss`, `SSI0Rx`, and `SSI0Tx` pins which default to the SSI function. The column in the table below titled "Pin Assignment" lists the possible GPIO pin placements for the SSI signals. The `AFSEL` bit in the **GPIO Alternate Function Select (GPIOAFSEL)** register (page 245) should be set to choose the SSI function. For more information on configuring GPIOs, see "General-Purpose Input/Outputs (GPIOs)" on page 224.

Table 11-1. SSI Signals (48QFP)

| Pin Name             | Pin Number | Pin Type | Buffer Type <sup>a</sup> | Description   |
|----------------------|------------|----------|--------------------------|---------------|
| <code>SSI0Clk</code> | 19         | I/O      | TTL                      | SSI clock.    |
| <code>SSI0Fss</code> | 20         | I/O      | TTL                      | SSI frame.    |
| <code>SSI0Rx</code>  | 21         | I        | TTL                      | SSI receive.  |
| <code>SSI0Tx</code>  | 22         | O        | TTL                      | SSI transmit. |

a. The TTL designation indicates the pin has TTL-compatible voltage levels.

Table 11-2. SSI Signals (48QFN)

| Pin Name             | Pin Number | Pin Type | Buffer Type <sup>a</sup> | Description   |
|----------------------|------------|----------|--------------------------|---------------|
| <code>SSI0Clk</code> | 19         | I/O      | TTL                      | SSI clock.    |
| <code>SSI0Fss</code> | 20         | I/O      | TTL                      | SSI frame.    |
| <code>SSI0Rx</code>  | 21         | I        | TTL                      | SSI receive.  |
| <code>SSI0Tx</code>  | 22         | O        | TTL                      | SSI transmit. |

a. The TTL designation indicates the pin has TTL-compatible voltage levels.

## 11.3 Functional Description

The SSI performs serial-to-parallel conversion on data received from a peripheral device. The CPU accesses data, control, and status information. The transmit and receive paths are buffered with internal FIFO memories allowing up to eight 16-bit values to be stored independently in both transmit and receive modes.

### 11.3.1 Bit Rate Generation

The SSI includes a programmable bit rate clock divider and prescaler to generate the serial output clock. Bit rates are supported to 1.5 MHz and higher, although maximum bit rate is determined by peripheral devices.

The serial bit rate is derived by dividing down the input clock (`FSysClk`). The clock is first divided by an even prescale value `CPSDVSR` from 2 to 254, which is programmed in the **SSI Clock Prescale (SSICPSR)** register (see page 387). The clock is further divided by a value from 1 to 256, which is  $1 + SCR$ , where `SCR` is the value programmed in the **SSI Control0 (SSICR0)** register (see page 380).

The frequency of the output clock `SSI0Clk` is defined by:

$$SSI0Clk = F_{SysClk} / (CPSDVSR * (1 + SCR))$$

**Note:** For master mode, the system clock must be at least two times faster than the `SSI0Clk`. For slave mode, the system clock must be at least 12 times faster than the `SSI0Clk`.

See "Synchronous Serial Interface (SSI)" on page 476 to view SSI timing parameters.

## 11.3.2 FIFO Operation

### 11.3.2.1 Transmit FIFO

The common transmit FIFO is a 16-bit wide, 8-locations deep, first-in, first-out memory buffer. The CPU writes data to the FIFO by writing the **SSI Data (SSIDR)** register (see page 384), and data is stored in the FIFO until it is read out by the transmission logic.

When configured as a master or a slave, parallel data is written into the transmit FIFO prior to serial conversion and transmission to the attached slave or master, respectively, through the **SSITx** pin.

In slave mode, the SSI transmits data each time the master initiates a transaction. If the transmit FIFO is empty and the master initiates, the slave transmits the 8th most recent value in the transmit FIFO. If less than 8 values have been written to the transmit FIFO since the SSI module clock was enabled using the **SSI** bit in the **RGCG1** register, then 0 is transmitted. Care should be taken to ensure that valid data is in the FIFO as needed. The SSI can be configured to generate an interrupt or a  $\mu$ DMA request when the FIFO is empty.

### 11.3.2.2 Receive FIFO

The common receive FIFO is a 16-bit wide, 8-locations deep, first-in, first-out memory buffer. Received data from the serial interface is stored in the buffer until read out by the CPU, which accesses the read FIFO by reading the **SSIDR** register.

When configured as a master or slave, serial data received through the **SSIRx** pin is registered prior to parallel loading into the attached slave or master receive FIFO, respectively.

## 11.3.3 Interrupts

The SSI can generate interrupts when the following conditions are observed:

- Transmit FIFO service
- Receive FIFO service
- Receive FIFO time-out
- Receive FIFO overrun

All of the interrupt events are ORed together before being sent to the interrupt controller, so the SSI can only generate a single interrupt request to the controller at any given time. You can mask each of the four individual maskable interrupts by setting the appropriate bits in the **SSI Interrupt Mask (SSIIM)** register (see page 388). Setting the appropriate mask bit to 1 enables the interrupt.

Provision of the individual outputs, as well as a combined interrupt output, allows use of either a global interrupt service routine, or modular device drivers to handle interrupts. The transmit and receive dynamic dataflow interrupts have been separated from the status interrupts so that data can be read or written in response to the FIFO trigger levels. The status of the individual interrupt sources can be read from the **SSI Raw Interrupt Status (SSIRIS)** and **SSI Masked Interrupt Status (SSIMIS)** registers (see page 390 and page 391, respectively).

## 11.3.4 Frame Formats

Each data frame is between 4 and 16 bits long, depending on the size of data programmed, and is transmitted starting with the MSB. There are three basic frame types that can be selected:

- Texas Instruments synchronous serial

- Freescale SPI
- MICROWIRE

For all three formats, the serial clock ( $SSIClk$ ) is held inactive while the SSI is idle, and  $SSIClk$  transitions at the programmed frequency only during active transmission or reception of data. The idle state of  $SSIClk$  is utilized to provide a receive timeout indication that occurs when the receive FIFO still contains data after a timeout period.

For Freescale SPI and MICROWIRE frame formats, the serial frame ( $SSIFss$ ) pin is active Low, and is asserted (pulled down) during the entire transmission of the frame.

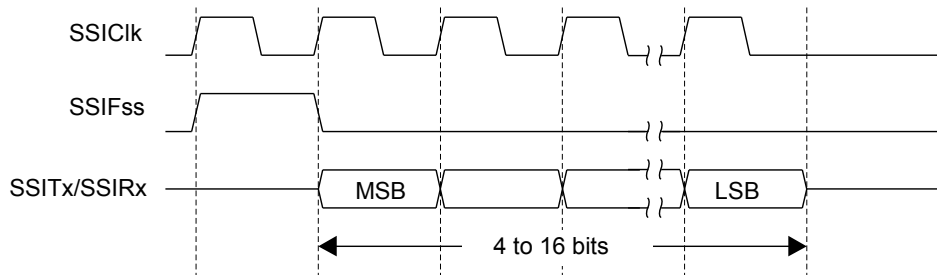
For Texas Instruments synchronous serial frame format, the  $SSIFss$  pin is pulsed for one serial clock period starting at its rising edge, prior to the transmission of each frame. For this frame format, both the SSI and the off-chip slave device drive their output data on the rising edge of  $SSIClk$ , and latch data from the other device on the falling edge.

Unlike the full-duplex transmission of the other two frame formats, the MICROWIRE format uses a special master-slave messaging technique, which operates at half-duplex. In this mode, when a frame begins, an 8-bit control message is transmitted to the off-chip slave. During this transmit, no incoming data is received by the SSI. After the message has been sent, the off-chip slave decodes it and, after waiting one serial clock after the last bit of the 8-bit control message has been sent, responds with the requested data. The returned data can be 4 to 16 bits in length, making the total frame length anywhere from 13 to 25 bits.

#### 11.3.4.1 Texas Instruments Synchronous Serial Frame Format

Figure 11-2 on page 370 shows the Texas Instruments synchronous serial frame format for a single transmitted frame.

**Figure 11-2. TI Synchronous Serial Frame Format (Single Transfer)**

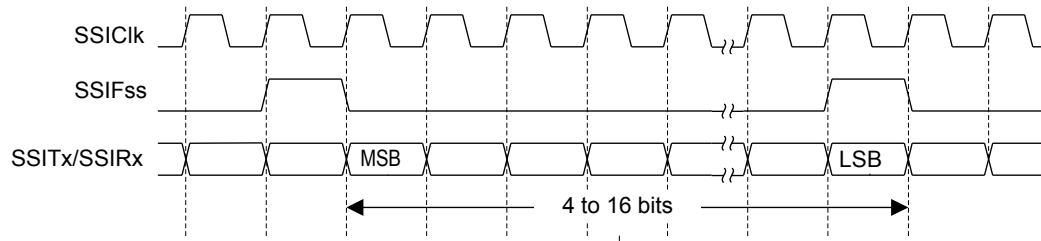


In this mode,  $SSIClk$  and  $SSIFss$  are forced Low, and the transmit data line  $SSITx$  is tristated whenever the SSI is idle. Once the bottom entry of the transmit FIFO contains data,  $SSIFss$  is pulsed High for one  $SSIClk$  period. The value to be transmitted is also transferred from the transmit FIFO to the serial shift register of the transmit logic. On the next rising edge of  $SSIClk$ , the MSB of the 4 to 16-bit data frame is shifted out on the  $SSITx$  pin. Likewise, the MSB of the received data is shifted onto the  $SSIRx$  pin by the off-chip serial slave device.

Both the SSI and the off-chip serial slave device then clock each data bit into their serial shifter on the falling edge of each  $SSIClk$ . The received data is transferred from the serial shifter to the receive FIFO on the first rising edge of  $SSIClk$  after the LSB has been latched.

Figure 11-3 on page 371 shows the Texas Instruments synchronous serial frame format when back-to-back frames are transmitted.

Figure 11-3. TI Synchronous Serial Frame Format (Continuous Transfer)



#### 11.3.4.2 Freescale SPI Frame Format

The Freescale SPI interface is a four-wire interface where the `SSIFss` signal behaves as a slave select. The main feature of the Freescale SPI format is that the inactive state and phase of the `SSIClk` signal are programmable through the `SPO` and `SPH` bits within the `SSISCR0` control register.

##### *SPO Clock Polarity Bit*

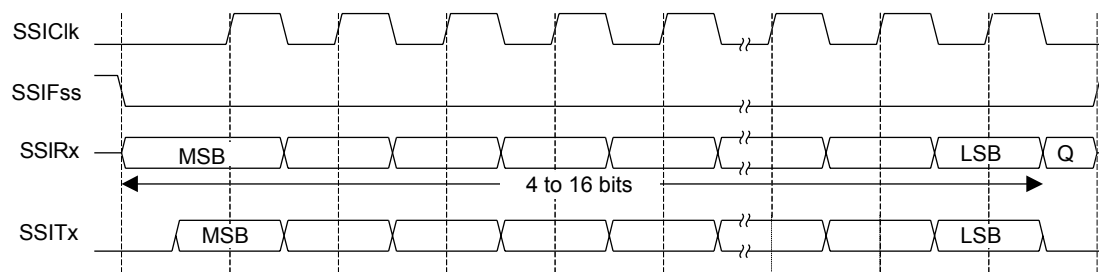
When the `SPO` clock polarity control bit is Low, it produces a steady state Low value on the `SSIClk` pin. If the `SPO` bit is High, a steady state High value is placed on the `SSIClk` pin when data is not being transferred.

##### *SPH Phase Control Bit*

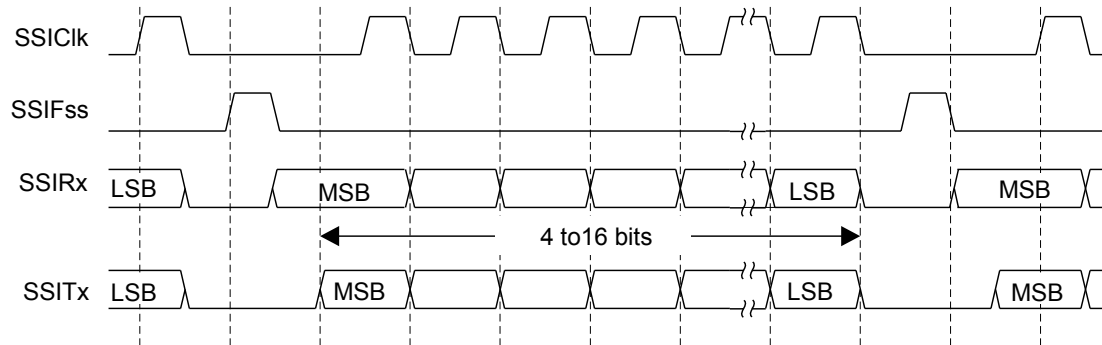
The `SPH` phase control bit selects the clock edge that captures data and allows it to change state. It has the most impact on the first bit transmitted by either allowing or not allowing a clock transition before the first data capture edge. When the `SPH` phase control bit is Low, data is captured on the first clock edge transition. If the `SPH` bit is High, data is captured on the second clock edge transition.

#### 11.3.4.3 Freescale SPI Frame Format with `SPO=0` and `SPH=0`

Single and continuous transmission signal sequences for Freescale SPI format with `SPO=0` and `SPH=0` are shown in Figure 11-4 on page 371 and Figure 11-5 on page 372.

Figure 11-4. Freescale SPI Format (Single Transfer) with `SPO=0` and `SPH=0`

**Note:** Q is undefined.

**Figure 11-5. Freescale SPI Format (Continuous Transfer) with SPO=0 and SPH=0**

In this configuration, during idle periods:

- SSIClk is forced Low
- SSIFss is forced High
- The transmit data line SSITx is arbitrarily forced Low
- When the SSI is configured as a master, it enables the SSIClk pad
- When the SSI is configured as a slave, it disables the SSIClk pad

If the SSI is enabled and there is valid data within the transmit FIFO, the start of transmission is signified by the SSIFss master signal being driven Low. This causes slave data to be enabled onto the SSIRx input line of the master. The master SSITx output pad is enabled.

One half SSIClk period later, valid master data is transferred to the SSITx pin. Now that both the master and slave data have been set, the SSIClk master clock pin goes High after one further half SSIClk period.

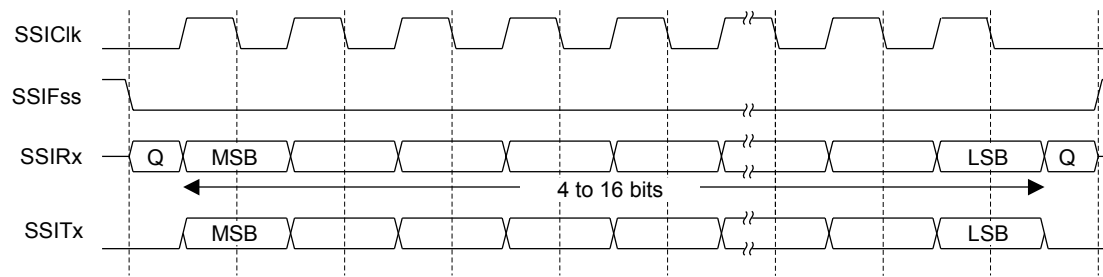
The data is now captured on the rising and propagated on the falling edges of the SSIClk signal.

In the case of a single word transmission, after all bits of the data word have been transferred, the SSIFss line is returned to its idle High state one SSIClk period after the last bit has been captured.

However, in the case of continuous back-to-back transmissions, the SSIFss signal must be pulsed High between each data word transfer. This is because the slave select pin freezes the data in its serial peripheral register and does not allow it to be altered if the SPH bit is logic zero. Therefore, the master device must raise the SSIFss pin of the slave device between each data transfer to enable the serial peripheral data write. On completion of the continuous transfer, the SSIFss pin is returned to its idle state one SSIClk period after the last bit has been captured.

#### 11.3.4.4 Freescale SPI Frame Format with SPO=0 and SPH=1

The transfer signal sequence for Freescale SPI format with SPO=0 and SPH=1 is shown in Figure 11-6 on page 373, which covers both single and continuous transfers.

**Figure 11-6. Freescale SPI Frame Format with SPO=0 and SPH=1**

**Note:** Q is undefined.

In this configuration, during idle periods:

- SSIClk is forced Low
- SSIFss is forced High
- The transmit data line SSITx is arbitrarily forced Low
- When the SSI is configured as a master, it enables the SSIClk pad
- When the SSI is configured as a slave, it disables the SSIClk pad

If the SSI is enabled and there is valid data within the transmit FIFO, the start of transmission is signified by the SSIFss master signal being driven Low. The master SSITx output is enabled. After a further one half SSIClk period, both master and slave valid data is enabled onto their respective transmission lines. At the same time, the SSIClk is enabled with a rising edge transition.

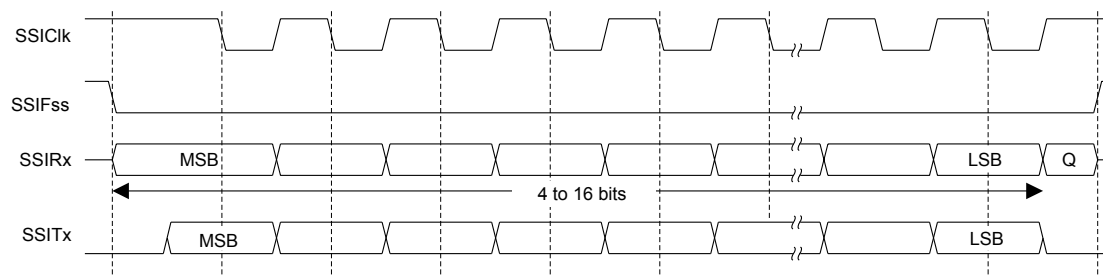
Data is then captured on the falling edges and propagated on the rising edges of the SSIClk signal.

In the case of a single word transfer, after all bits have been transferred, the SSIFss line is returned to its idle High state one SSIClk period after the last bit has been captured.

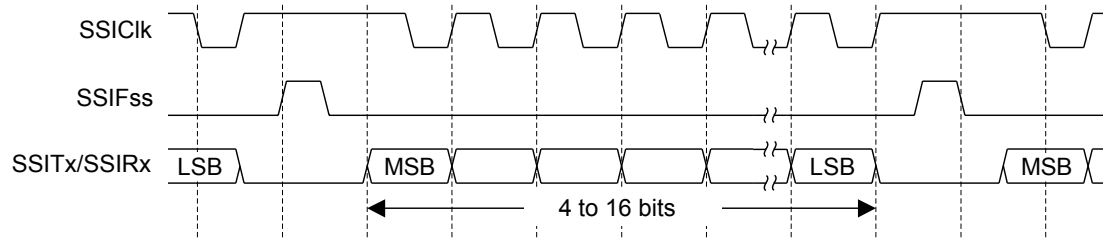
For continuous back-to-back transfers, the SSIFss pin is held Low between successive data words and termination is the same as that of the single word transfer.

#### 11.3.4.5 Freescale SPI Frame Format with SPO=1 and SPH=0

Single and continuous transmission signal sequences for Freescale SPI format with SPO=1 and SPH=0 are shown in Figure 11-7 on page 373 and Figure 11-8 on page 374.

**Figure 11-7. Freescale SPI Frame Format (Single Transfer) with SPO=1 and SPH=0**

**Note:** Q is undefined.

**Figure 11-8. Freescale SPI Frame Format (Continuous Transfer) with SPO=1 and SPH=0**

In this configuration, during idle periods:

- SSIClk is forced High
- SSIFss is forced High
- The transmit data line SSITx is arbitrarily forced Low
- When the SSI is configured as a master, it enables the SSIClk pad
- When the SSI is configured as a slave, it disables the SSIClk pad

If the SSI is enabled and there is valid data within the transmit FIFO, the start of transmission is signified by the SSIFss master signal being driven Low, which causes slave data to be immediately transferred onto the SSIRx line of the master. The master SSITx output pad is enabled.

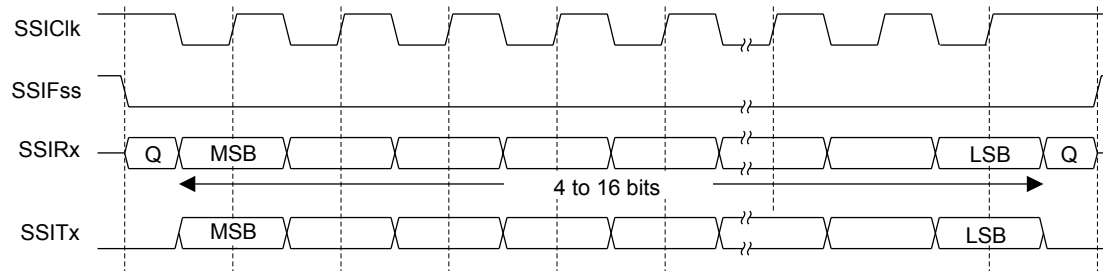
One half period later, valid master data is transferred to the SSITx line. Now that both the master and slave data have been set, the SSIClk master clock pin becomes Low after one further half SSIClk period. This means that data is captured on the falling edges and propagated on the rising edges of the SSIClk signal.

In the case of a single word transmission, after all bits of the data word are transferred, the SSIFss line is returned to its idle High state one SSIClk period after the last bit has been captured.

However, in the case of continuous back-to-back transmissions, the SSIFss signal must be pulsed High between each data word transfer. This is because the slave select pin freezes the data in its serial peripheral register and does not allow it to be altered if the SPH bit is logic zero. Therefore, the master device must raise the SSIFss pin of the slave device between each data transfer to enable the serial peripheral data write. On completion of the continuous transfer, the SSIFss pin is returned to its idle state one SSIClk period after the last bit has been captured.

#### 11.3.4.6 Freescale SPI Frame Format with SPO=1 and SPH=1

The transfer signal sequence for Freescale SPI format with SPO=1 and SPH=1 is shown in Figure 11-9 on page 375, which covers both single and continuous transfers.

**Figure 11-9. Freescale SPI Frame Format with SPO=1 and SPH=1**

**Note:** Q is undefined.

In this configuration, during idle periods:

- SSIClk is forced High
- SSIFss is forced High
- The transmit data line SSITx is arbitrarily forced Low
- When the SSI is configured as a master, it enables the SSIClk pad
- When the SSI is configured as a slave, it disables the SSIClk pad

If the SSI is enabled and there is valid data within the transmit FIFO, the start of transmission is signified by the SSIFss master signal being driven Low. The master SSITx output pad is enabled. After a further one-half SSIClk period, both master and slave data are enabled onto their respective transmission lines. At the same time, SSIClk is enabled with a falling edge transition. Data is then captured on the rising edges and propagated on the falling edges of the SSIClk signal.

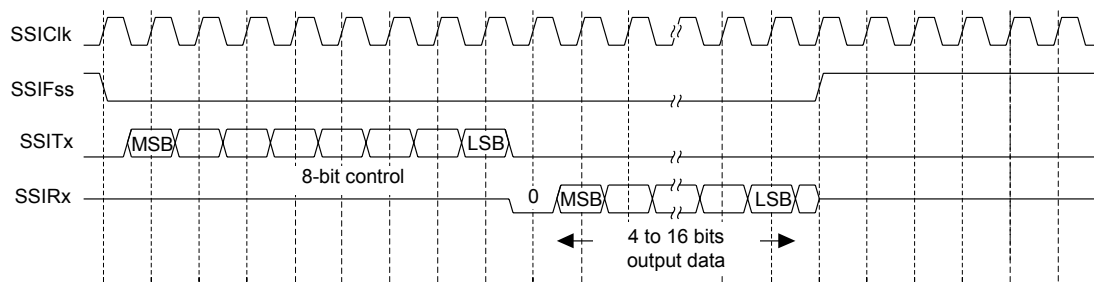
After all bits have been transferred, in the case of a single word transmission, the SSIFss line is returned to its idle high state one SSIClk period after the last bit has been captured.

For continuous back-to-back transmissions, the SSIFss pin remains in its active Low state, until the final bit of the last word has been captured, and then returns to its idle state as described above.

For continuous back-to-back transfers, the SSIFss pin is held Low between successive data words and termination is the same as that of the single word transfer.

#### 11.3.4.7 MICROWIRE Frame Format

Figure 11-10 on page 375 shows the MICROWIRE frame format, again for a single frame. Figure 11-11 on page 376 shows the same format when back-to-back frames are transmitted.

**Figure 11-10. MICROWIRE Frame Format (Single Frame)**

MICROWIRE format is very similar to SPI format, except that transmission is half-duplex instead of full-duplex, using a master-slave message passing technique. Each serial transmission begins with an 8-bit control word that is transmitted from the SSI to the off-chip slave device. During this transmission, no incoming data is received by the SSI. After the message has been sent, the off-chip slave decodes it and, after waiting one serial clock after the last bit of the 8-bit control message has been sent, responds with the required data. The returned data is 4 to 16 bits in length, making the total frame length anywhere from 13 to 25 bits.

In this configuration, during idle periods:

- SSIClk is forced Low
- SSIFss is forced High
- The transmit data line SSITx is arbitrarily forced Low

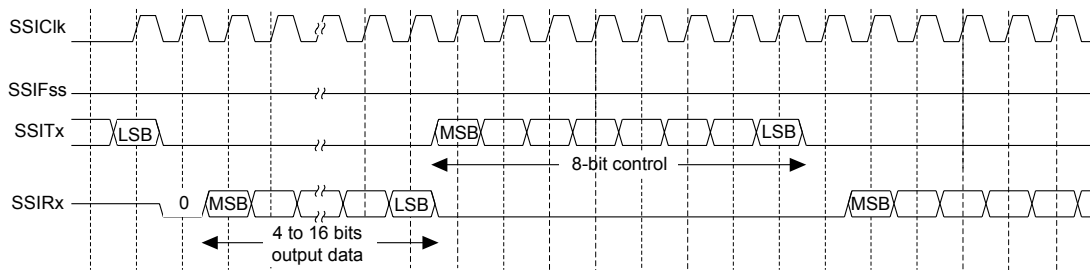
A transmission is triggered by writing a control byte to the transmit FIFO. The falling edge of SSIFss causes the value contained in the bottom entry of the transmit FIFO to be transferred to the serial shift register of the transmit logic, and the MSB of the 8-bit control frame to be shifted out onto the SSITx pin. SSIFss remains Low for the duration of the frame transmission. The SSIRx pin remains tristated during this transmission.

The off-chip serial slave device latches each control bit into its serial shifter on the rising edge of each SSIClk. After the last bit is latched by the slave device, the control byte is decoded during a one clock wait-state, and the slave responds by transmitting data back to the SSI. Each bit is driven onto the SSIRx line on the falling edge of SSIClk. The SSI in turn latches each bit on the rising edge of SSIClk. At the end of the frame, for single transfers, the SSIFss signal is pulled High one clock period after the last bit has been latched in the receive serial shifter, which causes the data to be transferred to the receive FIFO.

**Note:** The off-chip slave device can tristate the receive line either on the falling edge of SSIClk after the LSB has been latched by the receive shifter, or when the SSIFss pin goes High.

For continuous transfers, data transmission begins and ends in the same manner as a single transfer. However, the SSIFss line is continuously asserted (held Low) and transmission of data occurs back-to-back. The control byte of the next frame follows directly after the LSB of the received data from the current frame. Each of the received values is transferred from the receive shifter on the falling edge of SSIClk, after the LSB of the frame has been latched into the SSI.

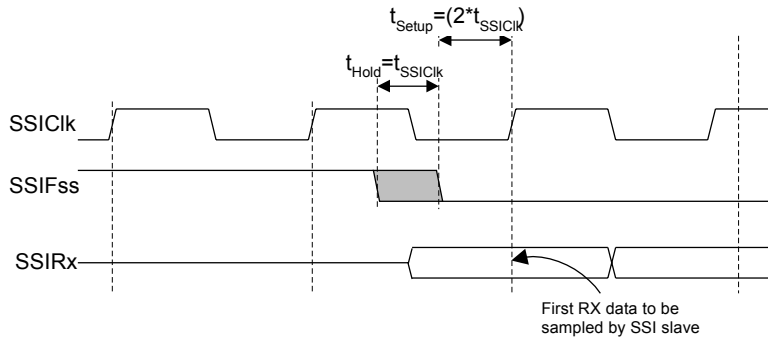
**Figure 11-11. MICROWIRE Frame Format (Continuous Transfer)**



In the MICROWIRE mode, the SSI slave samples the first bit of receive data on the rising edge of SSIClk after SSIFss has gone Low. Masters that drive a free-running SSIClk must ensure that the SSIFss signal has sufficient setup and hold margins with respect to the rising edge of SSIClk.

Figure 11-12 on page 377 illustrates these setup and hold time requirements. With respect to the  $SSIClk$  rising edge on which the first bit of receive data is to be sampled by the SSI slave,  $SSIFss$  must have a setup of at least two times the period of  $SSIClk$  on which the SSI operates. With respect to the  $SSIClk$  rising edge previous to this edge,  $SSIFss$  must have a hold of at least one  $SSIClk$  period.

**Figure 11-12. MICROWIRE Frame Format, SSIFss Input Setup and Hold Requirements**



## 11.4 Initialization and Configuration

To use the SSI, its peripheral clock must be enabled by setting the  $SSI$  bit in the **RCGC1** register.

For each of the frame formats, the SSI is configured using the following steps:

1. Ensure that the  $SSE$  bit in the **SSICR1** register is disabled before making any configuration changes.
2. Select whether the SSI is a master or slave:
  - a. For master operations, set the **SSICR1** register to 0x0000.0000.
  - b. For slave mode (output enabled), set the **SSICR1** register to 0x0000.0004.
  - c. For slave mode (output disabled), set the **SSICR1** register to 0x0000.000C.
3. Configure the clock prescale divisor by writing the **SSICPSR** register.
4. Write the **SSICR0** register with the following configuration:
  - Serial clock rate ( $SCR$ )
  - Desired clock phase/polarity, if using Freescale SPI mode ( $SPH$  and  $SPO$ )
  - The protocol mode: Freescale SPI, TI SSF, MICROWIRE ( $FRF$ )
  - The data size ( $DSS$ )
5. Enable the SSI by setting the  $SSE$  bit in the **SSICR1** register.

As an example, assume the SSI must be configured to operate with the following parameters:

- Master operation
- Freescale SPI mode ( $SPO=1$ ,  $SPH=1$ )

- 1 Mbps bit rate
- 8 data bits

Assuming the system clock is 20 MHz, the bit rate calculation would be:

$$F_{SSIClk} = F_{SysClk} / (CPSDVSR * (1 + SCR))$$

$$1 \times 10^6 = 20 \times 10^6 / (CPSDVSR * (1 + SCR))$$

In this case, if  $CPSDVSR=2$ ,  $SCR$  must be 9.

The configuration sequence would be as follows:

1. Ensure that the  $SSE$  bit in the **SSICR1** register is disabled.
2. Write the **SSICR1** register with a value of 0x0000.0000.
3. Write the **SSICPSR** register with a value of 0x0000.0002.
4. Write the **SSICR0** register with a value of 0x0000.09C7.
5. The SSI is then enabled by setting the  $SSE$  bit in the **SSICR1** register to 1.

## 11.5 Register Map

Table 11-3 on page 378 lists the SSI registers. The offset listed is a hexadecimal increment to the register's address, relative to that SSI module's base address:

- SSI0: 0x4000.8000

Note that the SSI module clock must be enabled before the registers can be programmed (see page 192). There must be a delay of 3 system clocks after the SSI module clock is enabled before any SSI module registers are accessed.

**Note:** The SSI must be disabled (see the  $SSE$  bit in the **SSICR1** register) before any of the control registers are reprogrammed.

**Table 11-3. SSI Register Map**

| Offset | Name    | Type | Reset       | Description                 | See page |
|--------|---------|------|-------------|-----------------------------|----------|
| 0x000  | SSICR0  | R/W  | 0x0000.0000 | SSI Control 0               | 380      |
| 0x004  | SSICR1  | R/W  | 0x0000.0000 | SSI Control 1               | 382      |
| 0x008  | SSIDR   | R/W  | 0x0000.0000 | SSI Data                    | 384      |
| 0x00C  | SSISR   | RO   | 0x0000.0003 | SSI Status                  | 385      |
| 0x010  | SSICPSR | R/W  | 0x0000.0000 | SSI Clock Prescale          | 387      |
| 0x014  | SSIIM   | R/W  | 0x0000.0000 | SSI Interrupt Mask          | 388      |
| 0x018  | SSIRIS  | RO   | 0x0000.0008 | SSI Raw Interrupt Status    | 390      |
| 0x01C  | SSIMIS  | RO   | 0x0000.0000 | SSI Masked Interrupt Status | 391      |
| 0x020  | SSIICR  | W1C  | 0x0000.0000 | SSI Interrupt Clear         | 392      |

**Table 11-3. SSI Register Map (continued)**

| Offset | Name         | Type | Reset       | Description                     | See page |
|--------|--------------|------|-------------|---------------------------------|----------|
| 0xFD0  | SSIPeriphID4 | RO   | 0x0000.0000 | SSI Peripheral Identification 4 | 393      |
| 0xFD4  | SSIPeriphID5 | RO   | 0x0000.0000 | SSI Peripheral Identification 5 | 394      |
| 0xFD8  | SSIPeriphID6 | RO   | 0x0000.0000 | SSI Peripheral Identification 6 | 395      |
| 0xFDC  | SSIPeriphID7 | RO   | 0x0000.0000 | SSI Peripheral Identification 7 | 396      |
| 0xFE0  | SSIPeriphID0 | RO   | 0x0000.0022 | SSI Peripheral Identification 0 | 397      |
| 0xFE4  | SSIPeriphID1 | RO   | 0x0000.0000 | SSI Peripheral Identification 1 | 398      |
| 0xFE8  | SSIPeriphID2 | RO   | 0x0000.0018 | SSI Peripheral Identification 2 | 399      |
| 0xFEC  | SSIPeriphID3 | RO   | 0x0000.0001 | SSI Peripheral Identification 3 | 400      |
| 0xFF0  | SSIPCellID0  | RO   | 0x0000.000D | SSI PrimeCell Identification 0  | 401      |
| 0xFF4  | SSIPCellID1  | RO   | 0x0000.00F0 | SSI PrimeCell Identification 1  | 402      |
| 0xFF8  | SSIPCellID2  | RO   | 0x0000.0005 | SSI PrimeCell Identification 2  | 403      |
| 0xFFC  | SSIPCellID3  | RO   | 0x0000.00B1 | SSI PrimeCell Identification 3  | 404      |

## 11.6 Register Descriptions

The remainder of this section lists and describes the SSI registers, in numerical order by address offset.

**Register 1: SSI Control 0 (SSICR0), offset 0x000**

**SSICR0** is control register 0 and contains bit fields that control various functions within the SSI module. Functionality such as protocol mode, clock rate, and data size are configured in this register.

## SSI Control 0 (SSICR0)

SSI0 base: 0x4000.8000  
Offset 0x000  
Type R/W, reset 0x0000.0000

|       |          |     |     |     |     |     |     |     |     |     |     |     |     |     |     |     |
|-------|----------|-----|-----|-----|-----|-----|-----|-----|-----|-----|-----|-----|-----|-----|-----|-----|
|       | 31       | 30  | 29  | 28  | 27  | 26  | 25  | 24  | 23  | 22  | 21  | 20  | 19  | 18  | 17  | 16  |
|       | reserved |     |     |     |     |     |     |     |     |     |     |     |     |     |     |     |
| Type  | RO       | RO  | RO  | RO  | RO  | RO  | RO  | RO  | RO  | RO  | RO  | RO  | RO  | RO  | RO  | RO  |
| Reset | 0        | 0   | 0   | 0   | 0   | 0   | 0   | 0   | 0   | 0   | 0   | 0   | 0   | 0   | 0   | 0   |
|       | 15       | 14  | 13  | 12  | 11  | 10  | 9   | 8   | 7   | 6   | 5   | 4   | 3   | 2   | 1   | 0   |
|       | SCR      |     |     |     |     |     |     |     | SPH |     | SPO |     | FRF |     | DSS |     |
| Type  | R/W      | R/W | R/W | R/W | R/W | R/W | R/W | R/W | R/W | R/W | R/W | R/W | R/W | R/W | R/W | R/W |
| Reset | 0        | 0   | 0   | 0   | 0   | 0   | 0   | 0   | 0   | 0   | 0   | 0   | 0   | 0   | 0   | 0   |

| Bit/Field | Name     | Type | Reset  | Description   |
|-----------|----------|------|--------|---|
| 31:16     | reserved | RO   | 0x00   | Software should not rely on the value of a reserved bit. To provide compatibility with future products, the value of a reserved bit should be preserved across a read-modify-write operation.   |
| 15:8      | SCR      | R/W  | 0x0000 | SSI Serial Clock Rate<br>The value <i>SCR</i> is used to generate the transmit and receive bit rate of the SSI. The bit rate is:<br>$BR = F_{SSIClk} / (CPSDVSR * (1 + SCR))$ where <i>CPSDVSR</i> is an even value from 2-254 programmed in the <b>SSICPSR</b> register, and <i>SCR</i> is a value from 0-255.   |
| 7         | SPH      | R/W  | 0      | SSI Serial Clock Phase<br>This bit is only applicable to the Freescale SPI Format.<br>The <i>SPH</i> control bit selects the clock edge that captures data and allows it to change state. It has the most impact on the first bit transmitted by either allowing or not allowing a clock transition before the first data capture edge.<br>When the <i>SPH</i> bit is 0, data is captured on the first clock edge transition. If <i>SPH</i> is 1, data is captured on the second clock edge transition. |
| 6         | SPO      | R/W  | 0      | SSI Serial Clock Polarity<br>This bit is only applicable to the Freescale SPI Format.<br>When the <i>SPO</i> bit is 0, it produces a steady state Low value on the <i>SSIClk</i> pin. If <i>SPO</i> is 1, a steady state High value is placed on the <i>SSIClk</i> pin when data is not being transferred.  |
| 5:4       | FRF      | R/W  | 0x0    | SSI Frame Format Select<br>The <i>FRF</i> values are defined as follows:<br><br>Value    Frame Format<br>0x0    Freescale SPI Frame Format<br>0x1    Texas Instruments Synchronous Serial Frame Format<br>0x2    MICROWIRE Frame Format<br>0x3    Reserved  |

---

| Bit/Field | Name | Type | Reset | Description   |
|-----------|------|------|-------|---|
| 3:0       | DSS  | R/W  | 0x00  | SSI Data Size Select<br>The DSS values are defined as follows:<br><br>Value    Data Size<br>0x0-0x2    Reserved<br>0x3    4-bit data<br>0x4    5-bit data<br>0x5    6-bit data<br>0x6    7-bit data<br>0x7    8-bit data<br>0x8    9-bit data<br>0x9    10-bit data<br>0xA    11-bit data<br>0xB    12-bit data<br>0xC    13-bit data<br>0xD    14-bit data<br>0xE    15-bit data<br>0xF    16-bit data |

**Register 2: SSI Control 1 (SSICR1), offset 0x004**

**SSICR1** is control register 1 and contains bit fields that control various functions within the SSI module. Master and slave mode functionality is controlled by this register.

## SSI Control 1 (SSICR1)

SSI0 base: 0x4000.8000  
Offset 0x004  
Type R/W, reset 0x0000.0000

|       |          |    |    |    |    |    |    |    |    |    |    |    |     |     |     |     |     |
|-------|----------|----|----|----|----|----|----|----|----|----|----|----|-----|-----|-----|-----|-----|
|       | 31       | 30 | 29 | 28 | 27 | 26 | 25 | 24 | 23 | 22 | 21 | 20 | 19  | 18  | 17  | 16  |     |
|       | reserved |    |    |    |    |    |    |    |    |    |    |    |     |     |     |     |     |
| Type  | RO       | RO | RO | RO | RO | RO | RO | RO | RO | RO | RO | RO | RO  | RO  | RO  | RO  |     |
| Reset | 0        | 0  | 0  | 0  | 0  | 0  | 0  | 0  | 0  | 0  | 0  | 0  | 0   | 0   | 0   | 0   |     |
|       | 15       | 14 | 13 | 12 | 11 | 10 | 9  | 8  | 7  | 6  | 5  | 4  | 3   | 2   | 1   | 0   |     |
|       | reserved |    |    |    |    |    |    |    |    |    |    |    | SOD | MS  | SSE | LBM |     |
| Type  | RO       | RO | RO | RO | RO | RO | RO | RO | RO | RO | RO | RO | RO  | R/W | R/W | R/W | R/W |
| Reset | 0        | 0  | 0  | 0  | 0  | 0  | 0  | 0  | 0  | 0  | 0  | 0  | 0   | 0   | 0   | 0   | 0   |

| Bit/Field | Name     | Type | Reset | Description  |
|-----------|----------|------|-------|--|
| 31:4      | reserved | RO   | 0x00  | Software should not rely on the value of a reserved bit. To provide compatibility with future products, the value of a reserved bit should be preserved across a read-modify-write operation.  |
| 3         | SOD      | R/W  | 0     | SSI Slave Mode Output Disable<br>This bit is relevant only in the Slave mode ( $MS=1$ ). In multiple-slave systems, it is possible for the SSI master to broadcast a message to all slaves in the system while ensuring that only one slave drives data onto the serial output line. In such systems, the TXD lines from multiple slaves could be tied together. To operate in such a system, the SOD bit can be configured so that the SSI slave does not drive the SSITx pin.<br>The SOD values are defined as follows:<br><br>Value Description<br>0 SSI can drive SSITx output in Slave Output mode.<br>1 SSI must not drive the SSITx output in Slave mode. |
| 2         | MS       | R/W  | 0     | SSI Master/Slave Select<br>This bit selects Master or Slave mode and can be modified only when SSI is disabled ( $SSE=0$ ).<br>The MS values are defined as follows:<br><br>Value Description<br>0 Device configured as a master.<br>1 Device configured as a slave.   |

| Bit/Field | Name  | Type | Reset | Description  |       |             |   |                                       |   |   |
|-----------|---|------|-------|--|-------|-------------|---|---------------------------------------|---|---|
| 1         | SSE   | R/W  | 0     | <p>SSI Synchronous Serial Port Enable<br/>Setting this bit enables SSI operation.<br/>The <code>SSE</code> values are defined as follows:</p> <table><thead><tr><th>Value</th><th>Description</th></tr></thead><tbody><tr><td>0</td><td>SSI operation disabled.</td></tr><tr><td>1</td><td>SSI operation enabled.</td></tr></tbody></table> <p><b>Note:</b> This bit must be set to 0 before any control registers are reprogrammed.</p>       | Value | Description | 0 | SSI operation disabled.               | 1 | SSI operation enabled.  |
| Value     | Description   |      |       |  |       |             |   |                                       |   |   |
| 0         | SSI operation disabled.   |      |       |  |       |             |   |                                       |   |   |
| 1         | SSI operation enabled.  |      |       |  |       |             |   |                                       |   |   |
| 0         | LBM   | R/W  | 0     | <p>SSI Loopback Mode<br/>Setting this bit enables Loopback Test mode.<br/>The <code>LBM</code> values are defined as follows:</p> <table><thead><tr><th>Value</th><th>Description</th></tr></thead><tbody><tr><td>0</td><td>Normal serial port operation enabled.</td></tr><tr><td>1</td><td>Output of the transmit serial shift register is connected internally to the input of the receive serial shift register.</td></tr></tbody></table> | Value | Description | 0 | Normal serial port operation enabled. | 1 | Output of the transmit serial shift register is connected internally to the input of the receive serial shift register. |
| Value     | Description   |      |       |  |       |             |   |                                       |   |   |
| 0         | Normal serial port operation enabled.   |      |       |  |       |             |   |                                       |   |   |
| 1         | Output of the transmit serial shift register is connected internally to the input of the receive serial shift register. |      |       |  |       |             |   |                                       |   |   |

### Register 3: SSI Data (SSIDR), offset 0x008

**Important:** This register is read-sensitive. See the register description for details.

**SSIDR** is the data register and is 16-bits wide. When **SSIDR** is read, the entry in the receive FIFO (pointed to by the current FIFO read pointer) is accessed. As data values are removed by the SSI receive logic from the incoming data frame, they are placed into the entry in the receive FIFO (pointed to by the current FIFO write pointer).

When **SSIDR** is written to, the entry in the transmit FIFO (pointed to by the write pointer) is written to. Data values are removed from the transmit FIFO one value at a time by the transmit logic. It is loaded into the transmit serial shifter, then serially shifted out onto the **SSITx** pin at the programmed bit rate.

When a data size of less than 16 bits is selected, the user must right-justify data written to the transmit FIFO. The transmit logic ignores the unused bits. Received data less than 16 bits is automatically right-justified in the receive buffer.

When the SSI is programmed for MICROWIRE frame format, the default size for transmit data is eight bits (the most significant byte is ignored). The receive data size is controlled by the programmer. The transmit FIFO and the receive FIFO are not cleared even when the **SSE** bit in the **SSICR1** register is set to zero. This allows the software to fill the transmit FIFO before enabling the SSI.

#### SSI Data (SSIDR)

SSI0 base: 0x4000.8000  
Offset 0x008  
Type R/W, reset 0x0000.0000

|       |          |     |     |     |     |     |     |     |     |     |     |     |     |     |     |     |
|-------|----------|-----|-----|-----|-----|-----|-----|-----|-----|-----|-----|-----|-----|-----|-----|-----|
|       | 31       | 30  | 29  | 28  | 27  | 26  | 25  | 24  | 23  | 22  | 21  | 20  | 19  | 18  | 17  | 16  |
|       | reserved |     |     |     |     |     |     |     |     |     |     |     |     |     |     |     |
| Type  | RO       | RO  | RO  | RO  | RO  | RO  | RO  | RO  | RO  | RO  | RO  | RO  | RO  | RO  | RO  | RO  |
| Reset | 0        | 0   | 0   | 0   | 0   | 0   | 0   | 0   | 0   | 0   | 0   | 0   | 0   | 0   | 0   | 0   |
|       | 15       | 14  | 13  | 12  | 11  | 10  | 9   | 8   | 7   | 6   | 5   | 4   | 3   | 2   | 1   | 0   |
|       | DATA     |     |     |     |     |     |     |     |     |     |     |     |     |     |     |     |
| Type  | R/W      | R/W | R/W | R/W | R/W | R/W | R/W | R/W | R/W | R/W | R/W | R/W | R/W | R/W | R/W | R/W |
| Reset | 0        | 0   | 0   | 0   | 0   | 0   | 0   | 0   | 0   | 0   | 0   | 0   | 0   | 0   | 0   | 0   |

| Bit/Field | Name     | Type | Reset  | Description   |
|-----------|----------|------|--------|---|
| 31:16     | reserved | RO   | 0x0000 | Software should not rely on the value of a reserved bit. To provide compatibility with future products, the value of a reserved bit should be preserved across a read-modify-write operation.   |
| 15:0      | DATA     | R/W  | 0x0000 | SSI Receive/Transmit Data<br>A read operation reads the receive FIFO. A write operation writes the transmit FIFO.<br>Software must right-justify data when the SSI is programmed for a data size that is less than 16 bits. Unused bits at the top are ignored by the transmit logic. The receive logic automatically right-justifies the data. |

## Register 4: SSI Status (SSISR), offset 0x00C

**SSISR** is a status register that contains bits that indicate the FIFO fill status and the SSI busy status.

### SSI Status (SSISR)

SSI0 base: 0x4000.8000

Offset 0x00C

Type RO, reset 0x0000.0003

|       |          |    |    |    |    |    |    |    |    |    |    |    |     |     |     |     |     |
|-------|----------|----|----|----|----|----|----|----|----|----|----|----|-----|-----|-----|-----|-----|
|       | 31       | 30 | 29 | 28 | 27 | 26 | 25 | 24 | 23 | 22 | 21 | 20 | 19  | 18  | 17  | 16  |     |
|       | reserved |    |    |    |    |    |    |    |    |    |    |    |     |     |     |     |     |
| Type  | RO       | RO | RO | RO | RO | RO | RO | RO | RO | RO | RO | RO | RO  | RO  | RO  | RO  |     |
| Reset | 0        | 0  | 0  | 0  | 0  | 0  | 0  | 0  | 0  | 0  | 0  | 0  | 0   | 0   | 0   | 0   |     |
|       | 15       | 14 | 13 | 12 | 11 | 10 | 9  | 8  | 7  | 6  | 5  | 4  | 3   | 2   | 1   | 0   |     |
|       | reserved |    |    |    |    |    |    |    |    |    |    |    | BSY | RFF | RNE | TNF | TFE |
| Type  | RO       | RO | RO | RO | RO | RO | RO | RO | RO | RO | RO | RO | RO  | RO  | RO  | RO  |     |
| Reset | 0        | 0  | 0  | 0  | 0  | 0  | 0  | 0  | 0  | 0  | 0  | 0  | 0   | 0   | 1   | 1   |     |

| Bit/Field | Name     | Type | Reset | Description  |
|-----------|----------|------|-------|--|
| 31:5      | reserved | RO   | 0x00  | Software should not rely on the value of a reserved bit. To provide compatibility with future products, the value of a reserved bit should be preserved across a read-modify-write operation.            |
| 4         | BSY      | RO   | 0     | SSI Busy Bit<br>The <b>BSY</b> values are defined as follows:<br><br>Value Description<br>0 SSI is idle.<br>1 SSI is currently transmitting and/or receiving a frame, or the transmit FIFO is not empty. |
| 3         | RFF      | RO   | 0     | SSI Receive FIFO Full<br>The <b>RFF</b> values are defined as follows:<br><br>Value Description<br>0 Receive FIFO is not full.<br>1 Receive FIFO is full.  |
| 2         | RNE      | RO   | 0     | SSI Receive FIFO Not Empty<br>The <b>RNE</b> values are defined as follows:<br><br>Value Description<br>0 Receive FIFO is empty.<br>1 Receive FIFO is not empty.   |
| 1         | TNF      | RO   | 1     | SSI Transmit FIFO Not Full<br>The <b>TNF</b> values are defined as follows:<br><br>Value Description<br>0 Transmit FIFO is full.<br>1 Transmit FIFO is not full.   |

| Bit/Field | Name | Type | Reset | Description  |
|-----------|------|------|-------|--|
| 0         | TFE  | R0   | 1     | SSI Transmit FIFO Empty<br>The TFE values are defined as follows:<br><br>Value Description<br>0 Transmit FIFO is not empty.<br>1 Transmit FIFO is empty. |

## Register 5: SSI Clock Prescale (SSICPSR), offset 0x010

**SSICPSR** is the clock prescale register and specifies the division factor by which the system clock must be internally divided before further use.

The value programmed into this register must be an even number between 2 and 254. The least-significant bit of the programmed number is hard-coded to zero. If an odd number is written to this register, data read back from this register has the least-significant bit as zero.

### SSI Clock Prescale (SSICPSR)

SSI0 base: 0x4000.8000  
Offset 0x010  
Type R/W, reset 0x0000.0000

|       |          |    |    |    |    |    |    |    |         |     |     |     |     |     |     |     |
|-------|----------|----|----|----|----|----|----|----|---------|-----|-----|-----|-----|-----|-----|-----|
|       | 31       | 30 | 29 | 28 | 27 | 26 | 25 | 24 | 23      | 22  | 21  | 20  | 19  | 18  | 17  | 16  |
|       | reserved |    |    |    |    |    |    |    |         |     |     |     |     |     |     |     |
| Type  | RO       | RO | RO | RO | RO | RO | RO | RO | RO      | RO  | RO  | RO  | RO  | RO  | RO  | RO  |
| Reset | 0        | 0  | 0  | 0  | 0  | 0  | 0  | 0  | 0       | 0   | 0   | 0   | 0   | 0   | 0   | 0   |
|       | 15       | 14 | 13 | 12 | 11 | 10 | 9  | 8  | 7       | 6   | 5   | 4   | 3   | 2   | 1   | 0   |
|       | reserved |    |    |    |    |    |    |    | CPSDVSR |     |     |     |     |     |     |     |
| Type  | RO       | RO | RO | RO | RO | RO | RO | RO | R/W     | R/W | R/W | R/W | R/W | R/W | R/W | R/W |
| Reset | 0        | 0  | 0  | 0  | 0  | 0  | 0  | 0  | 0       | 0   | 0   | 0   | 0   | 0   | 0   | 0   |

| Bit/Field | Name     | Type | Reset | Description   |
|-----------|----------|------|-------|---|
| 31:8      | reserved | RO   | 0x00  | Software should not rely on the value of a reserved bit. To provide compatibility with future products, the value of a reserved bit should be preserved across a read-modify-write operation. |
| 7:0       | CPSDVSR  | R/W  | 0x00  | SSI Clock Prescale Divisor<br>This value must be an even number from 2 to 254, depending on the frequency of <code>SSIClk</code> . The LSB always returns 0 on reads.                         |

### Register 6: SSI Interrupt Mask (SSIIM), offset 0x014

The **SSIIM** register is the interrupt mask set or clear register. It is a read/write register and all bits are cleared to 0 on reset.

On a read, this register gives the current value of the mask on the relevant interrupt. A write of 1 to the particular bit sets the mask, enabling the interrupt to be read. A write of 0 clears the corresponding mask.

#### SSI Interrupt Mask (SSIIM)

SSI0 base: 0x4000.8000  
 Offset 0x014  
 Type R/W, reset 0x0000.0000

|       |          |    |    |    |    |    |    |    |    |    |    |    |      |      |      |       |     |
|-------|----------|----|----|----|----|----|----|----|----|----|----|----|------|------|------|-------|-----|
|       | 31       | 30 | 29 | 28 | 27 | 26 | 25 | 24 | 23 | 22 | 21 | 20 | 19   | 18   | 17   | 16    |     |
|       | reserved |    |    |    |    |    |    |    |    |    |    |    |      |      |      |       |     |
| Type  | RO       | RO | RO | RO | RO | RO | RO | RO | RO | RO | RO | RO | RO   | RO   | RO   | RO    |     |
| Reset | 0        | 0  | 0  | 0  | 0  | 0  | 0  | 0  | 0  | 0  | 0  | 0  | 0    | 0    | 0    | 0     |     |
|       | 15       | 14 | 13 | 12 | 11 | 10 | 9  | 8  | 7  | 6  | 5  | 4  | 3    | 2    | 1    | 0     |     |
|       | reserved |    |    |    |    |    |    |    |    |    |    |    | TXIM | RXIM | RTIM | RORIM |     |
| Type  | RO       | RO | RO | RO | RO | RO | RO | RO | RO | RO | RO | RO | RO   | R/W  | R/W  | R/W   | R/W |
| Reset | 0        | 0  | 0  | 0  | 0  | 0  | 0  | 0  | 0  | 0  | 0  | 0  | 0    | 0    | 0    | 0     | 0   |

| Bit/Field | Name     | Type | Reset | Description   |
|-----------|----------|------|-------|---|
| 31:4      | reserved | RO   | 0x00  | Software should not rely on the value of a reserved bit. To provide compatibility with future products, the value of a reserved bit should be preserved across a read-modify-write operation.   |
| 3         | TXIM     | R/W  | 0     | SSI Transmit FIFO Interrupt Mask<br>The <b>TXIM</b> values are defined as follows:<br><br>Value Description<br>0 TX FIFO half-empty or less condition interrupt is masked.<br>1 TX FIFO half-empty or less condition interrupt is not masked. |
| 2         | RXIM     | R/W  | 0     | SSI Receive FIFO Interrupt Mask<br>The <b>RXIM</b> values are defined as follows:<br><br>Value Description<br>0 RX FIFO half-full or more condition interrupt is masked.<br>1 RX FIFO half-full or more condition interrupt is not masked.    |
| 1         | RTIM     | R/W  | 0     | SSI Receive Time-Out Interrupt Mask<br>The <b>RTIM</b> values are defined as follows:<br><br>Value Description<br>0 RX FIFO time-out interrupt is masked.<br>1 RX FIFO time-out interrupt is not masked.                                      |

---

| Bit/Field | Name  | Type | Reset | Description   |
|-----------|-------|------|-------|---|
| 0         | RORIM | R/W  | 0     | SSI Receive Overrun Interrupt Mask<br>The RORIM values are defined as follows:<br><br>Value Description<br>0 RX FIFO overrun interrupt is masked.<br>1 RX FIFO overrun interrupt is not masked. |

**Register 7: SSI Raw Interrupt Status (SSIRIS), offset 0x018**

The **SSIRIS** register is the raw interrupt status register. On a read, this register gives the current raw status value of the corresponding interrupt prior to masking. A write has no effect.

**SSI Raw Interrupt Status (SSIRIS)**

SSI0 base: 0x4000.8000

Offset 0x018

Type RO, reset 0x0000.0008

|       |          |    |    |    |    |    |    |    |    |    |    |    |       |       |       |        |
|-------|----------|----|----|----|----|----|----|----|----|----|----|----|-------|-------|-------|--------|
|       | 31       | 30 | 29 | 28 | 27 | 26 | 25 | 24 | 23 | 22 | 21 | 20 | 19    | 18    | 17    | 16     |
|       | reserved |    |    |    |    |    |    |    |    |    |    |    |       |       |       |        |
| Type  | RO       | RO | RO | RO | RO | RO | RO | RO | RO | RO | RO | RO | RO    | RO    | RO    | RO     |
| Reset | 0        | 0  | 0  | 0  | 0  | 0  | 0  | 0  | 0  | 0  | 0  | 0  | 0     | 0     | 0     | 0      |
|       | 15       | 14 | 13 | 12 | 11 | 10 | 9  | 8  | 7  | 6  | 5  | 4  | 3     | 2     | 1     | 0      |
|       | reserved |    |    |    |    |    |    |    |    |    |    |    | TXRIS | RXRIS | RTRIS | RORRIS |
| Type  | RO       | RO | RO | RO | RO | RO | RO | RO | RO | RO | RO | RO | RO    | RO    | RO    | RO     |
| Reset | 0        | 0  | 0  | 0  | 0  | 0  | 0  | 0  | 0  | 0  | 0  | 0  | 0     | 1     | 0     | 0      |

| Bit/Field | Name     | Type | Reset | Description   |
|-----------|----------|------|-------|---|
| 31:4      | reserved | RO   | 0x00  | Software should not rely on the value of a reserved bit. To provide compatibility with future products, the value of a reserved bit should be preserved across a read-modify-write operation. |
| 3         | TXRIS    | RO   | 1     | SSI Transmit FIFO Raw Interrupt Status<br>Indicates that the transmit FIFO is half empty or less, when set.   |
| 2         | RXRIS    | RO   | 0     | SSI Receive FIFO Raw Interrupt Status<br>Indicates that the receive FIFO is half full or more, when set.  |
| 1         | RTRIS    | RO   | 0     | SSI Receive Time-Out Raw Interrupt Status<br>Indicates that the receive time-out has occurred, when set.  |
| 0         | RORRIS   | RO   | 0     | SSI Receive Overrun Raw Interrupt Status<br>Indicates that the receive FIFO has overflowed, when set.   |

## Register 8: SSI Masked Interrupt Status (SSIMIS), offset 0x01C

The **SSIMIS** register is the masked interrupt status register. On a read, this register gives the current masked status value of the corresponding interrupt. A write has no effect.

### SSI Masked Interrupt Status (SSIMIS)

SSI0 base: 0x4000.8000  
Offset 0x01C  
Type RO, reset 0x0000.0000

|       |          |    |    |    |    |    |    |    |    |    |    |    |       |       |       |        |
|-------|----------|----|----|----|----|----|----|----|----|----|----|----|-------|-------|-------|--------|
|       | 31       | 30 | 29 | 28 | 27 | 26 | 25 | 24 | 23 | 22 | 21 | 20 | 19    | 18    | 17    | 16     |
|       | reserved |    |    |    |    |    |    |    |    |    |    |    |       |       |       |        |
| Type  | RO       | RO | RO | RO | RO | RO | RO | RO | RO | RO | RO | RO | RO    | RO    | RO    | RO     |
| Reset | 0        | 0  | 0  | 0  | 0  | 0  | 0  | 0  | 0  | 0  | 0  | 0  | 0     | 0     | 0     | 0      |
|       | 15       | 14 | 13 | 12 | 11 | 10 | 9  | 8  | 7  | 6  | 5  | 4  | 3     | 2     | 1     | 0      |
|       | reserved |    |    |    |    |    |    |    |    |    |    |    | TXMIS | RXMIS | RTMIS | RORMIS |
| Type  | RO       | RO | RO | RO | RO | RO | RO | RO | RO | RO | RO | RO | RO    | RO    | RO    | RO     |
| Reset | 0        | 0  | 0  | 0  | 0  | 0  | 0  | 0  | 0  | 0  | 0  | 0  | 0     | 0     | 0     | 0      |

| Bit/Field | Name     | Type | Reset | Description   |
|-----------|----------|------|-------|---|
| 31:4      | reserved | RO   | 0     | Software should not rely on the value of a reserved bit. To provide compatibility with future products, the value of a reserved bit should be preserved across a read-modify-write operation. |
| 3         | TXMIS    | RO   | 0     | SSI Transmit FIFO Masked Interrupt Status<br>Indicates that the transmit FIFO is half empty or less, when set.  |
| 2         | RXMIS    | RO   | 0     | SSI Receive FIFO Masked Interrupt Status<br>Indicates that the receive FIFO is half full or more, when set.   |
| 1         | RTMIS    | RO   | 0     | SSI Receive Time-Out Masked Interrupt Status<br>Indicates that the receive time-out has occurred, when set.   |
| 0         | RORMIS   | RO   | 0     | SSI Receive Overrun Masked Interrupt Status<br>Indicates that the receive FIFO has overflowed, when set.  |

**Register 9: SSI Interrupt Clear (SSIICR), offset 0x020**

The **SSIICR** register is the interrupt clear register. On a write of 1, the corresponding interrupt is cleared. A write of 0 has no effect.

**SSI Interrupt Clear (SSIICR)**

SSI0 base: 0x4000.8000  
Offset 0x020  
Type W1C, reset 0x0000.0000

|       |          |    |    |    |    |    |    |    |    |    |    |    |    |    |      |       |     |
|-------|----------|----|----|----|----|----|----|----|----|----|----|----|----|----|------|-------|-----|
|       | 31       | 30 | 29 | 28 | 27 | 26 | 25 | 24 | 23 | 22 | 21 | 20 | 19 | 18 | 17   | 16    |     |
|       | reserved |    |    |    |    |    |    |    |    |    |    |    |    |    |      |       |     |
| Type  | RO       | RO | RO | RO | RO | RO | RO | RO | RO | RO | RO | RO | RO | RO | RO   | RO    |     |
| Reset | 0        | 0  | 0  | 0  | 0  | 0  | 0  | 0  | 0  | 0  | 0  | 0  | 0  | 0  | 0    | 0     |     |
|       | 15       | 14 | 13 | 12 | 11 | 10 | 9  | 8  | 7  | 6  | 5  | 4  | 3  | 2  | 1    | 0     |     |
|       | reserved |    |    |    |    |    |    |    |    |    |    |    |    |    | RTIC | RORIC |     |
| Type  | RO       | RO | RO | RO | RO | RO | RO | RO | RO | RO | RO | RO | RO | RO | RO   | W1C   | W1C |
| Reset | 0        | 0  | 0  | 0  | 0  | 0  | 0  | 0  | 0  | 0  | 0  | 0  | 0  | 0  | 0    | 0     | 0   |

| Bit/Field | Name     | Type | Reset | Description   |
|-----------|----------|------|-------|---|
| 31:2      | reserved | RO   | 0x00  | Software should not rely on the value of a reserved bit. To provide compatibility with future products, the value of a reserved bit should be preserved across a read-modify-write operation. |
| 1         | RTIC     | W1C  | 0     | SSI Receive Time-Out Interrupt Clear<br>The <b>RTIC</b> values are defined as follows:<br><br>Value Description<br>0 No effect on interrupt.<br>1 Clears interrupt.                           |
| 0         | RORIC    | W1C  | 0     | SSI Receive Overrun Interrupt Clear<br>The <b>RORIC</b> values are defined as follows:<br><br>Value Description<br>0 No effect on interrupt.<br>1 Clears interrupt.                           |

## Register 10: SSI Peripheral Identification 4 (SSIPeriphID4), offset 0xFD0

The **SSIPeriphIDn** registers are hard-coded and the fields within the register determine the reset value.

### SSI Peripheral Identification 4 (SSIPeriphID4)

SSI0 base: 0x4000.8000

Offset 0xFD0

Type RO, reset 0x0000.0000

|       |          |    |    |    |    |    |    |    |      |    |    |    |    |    |    |    |
|-------|----------|----|----|----|----|----|----|----|------|----|----|----|----|----|----|----|
|       | 31       | 30 | 29 | 28 | 27 | 26 | 25 | 24 | 23   | 22 | 21 | 20 | 19 | 18 | 17 | 16 |
|       | reserved |    |    |    |    |    |    |    |      |    |    |    |    |    |    |    |
| Type  | RO       | RO | RO | RO | RO | RO | RO | RO | RO   | RO | RO | RO | RO | RO | RO | RO |
| Reset | 0        | 0  | 0  | 0  | 0  | 0  | 0  | 0  | 0    | 0  | 0  | 0  | 0  | 0  | 0  | 0  |
|       | 15       | 14 | 13 | 12 | 11 | 10 | 9  | 8  | 7    | 6  | 5  | 4  | 3  | 2  | 1  | 0  |
|       | reserved |    |    |    |    |    |    |    | PID4 |    |    |    |    |    |    |    |
| Type  | RO       | RO | RO | RO | RO | RO | RO | RO | RO   | RO | RO | RO | RO | RO | RO | RO |
| Reset | 0        | 0  | 0  | 0  | 0  | 0  | 0  | 0  | 0    | 0  | 0  | 0  | 0  | 0  | 0  | 0  |

| Bit/Field | Name     | Type | Reset | Description   |
|-----------|----------|------|-------|---|
| 31:8      | reserved | RO   | 0x00  | Software should not rely on the value of a reserved bit. To provide compatibility with future products, the value of a reserved bit should be preserved across a read-modify-write operation. |
| 7:0       | PID4     | RO   | 0x00  | SSI Peripheral ID Register[7:0]<br>Can be used by software to identify the presence of this peripheral.   |

### Register 11: SSI Peripheral Identification 5 (SSIPeriphID5), offset 0xFD4

The **SSIPeriphIDn** registers are hard-coded and the fields within the register determine the reset value.

#### SSI Peripheral Identification 5 (SSIPeriphID5)

SSI0 base: 0x4000.8000  
 Offset 0xFD4  
 Type RO, reset 0x0000.0000

|       |          |    |    |    |    |    |    |    |      |    |    |    |    |    |    |    |
|-------|----------|----|----|----|----|----|----|----|------|----|----|----|----|----|----|----|
|       | 31       | 30 | 29 | 28 | 27 | 26 | 25 | 24 | 23   | 22 | 21 | 20 | 19 | 18 | 17 | 16 |
|       | reserved |    |    |    |    |    |    |    |      |    |    |    |    |    |    |    |
| Type  | RO       | RO | RO | RO | RO | RO | RO | RO | RO   | RO | RO | RO | RO | RO | RO | RO |
| Reset | 0        | 0  | 0  | 0  | 0  | 0  | 0  | 0  | 0    | 0  | 0  | 0  | 0  | 0  | 0  | 0  |
|       | 15       | 14 | 13 | 12 | 11 | 10 | 9  | 8  | 7    | 6  | 5  | 4  | 3  | 2  | 1  | 0  |
|       | reserved |    |    |    |    |    |    |    | PID5 |    |    |    |    |    |    |    |
| Type  | RO       | RO | RO | RO | RO | RO | RO | RO | RO   | RO | RO | RO | RO | RO | RO | RO |
| Reset | 0        | 0  | 0  | 0  | 0  | 0  | 0  | 0  | 0    | 0  | 0  | 0  | 0  | 0  | 0  | 0  |

| Bit/Field | Name     | Type | Reset | Description   |
|-----------|----------|------|-------|---|
| 31:8      | reserved | RO   | 0x00  | Software should not rely on the value of a reserved bit. To provide compatibility with future products, the value of a reserved bit should be preserved across a read-modify-write operation. |
| 7:0       | PID5     | RO   | 0x00  | SSI Peripheral ID Register[15:8]<br>Can be used by software to identify the presence of this peripheral.  |

## Register 12: SSI Peripheral Identification 6 (SSIPeriphID6), offset 0xFD8

The **SSIPeriphIDn** registers are hard-coded and the fields within the register determine the reset value.

### SSI Peripheral Identification 6 (SSIPeriphID6)

SSI0 base: 0x4000.8000

Offset 0xFD8

Type RO, reset 0x0000.0000

|       |          |    |    |    |    |    |    |    |      |    |    |    |    |    |    |    |
|-------|----------|----|----|----|----|----|----|----|------|----|----|----|----|----|----|----|
|       | 31       | 30 | 29 | 28 | 27 | 26 | 25 | 24 | 23   | 22 | 21 | 20 | 19 | 18 | 17 | 16 |
|       | reserved |    |    |    |    |    |    |    |      |    |    |    |    |    |    |    |
| Type  | RO       | RO | RO | RO | RO | RO | RO | RO | RO   | RO | RO | RO | RO | RO | RO | RO |
| Reset | 0        | 0  | 0  | 0  | 0  | 0  | 0  | 0  | 0    | 0  | 0  | 0  | 0  | 0  | 0  | 0  |
|       | 15       | 14 | 13 | 12 | 11 | 10 | 9  | 8  | 7    | 6  | 5  | 4  | 3  | 2  | 1  | 0  |
|       | reserved |    |    |    |    |    |    |    | PID6 |    |    |    |    |    |    |    |
| Type  | RO       | RO | RO | RO | RO | RO | RO | RO | RO   | RO | RO | RO | RO | RO | RO | RO |
| Reset | 0        | 0  | 0  | 0  | 0  | 0  | 0  | 0  | 0    | 0  | 0  | 0  | 0  | 0  | 0  | 0  |

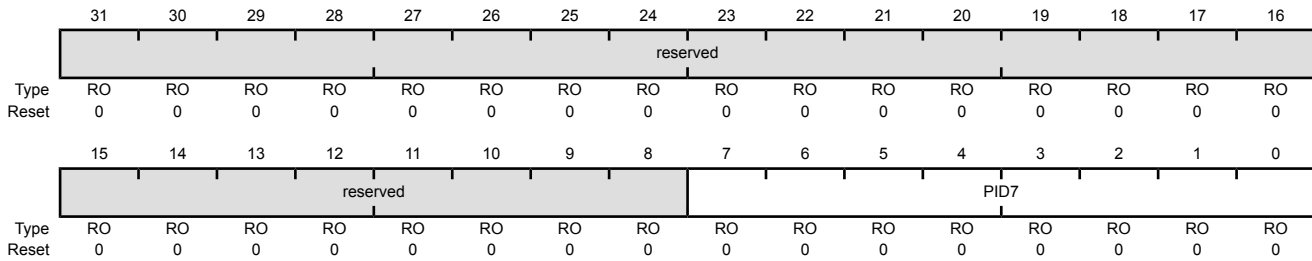
| Bit/Field | Name     | Type | Reset | Description   |
|-----------|----------|------|-------|---|
| 31:8      | reserved | RO   | 0x00  | Software should not rely on the value of a reserved bit. To provide compatibility with future products, the value of a reserved bit should be preserved across a read-modify-write operation. |
| 7:0       | PID6     | RO   | 0x00  | SSI Peripheral ID Register[23:16]<br>Can be used by software to identify the presence of this peripheral.   |

### Register 13: SSI Peripheral Identification 7 (SSIPeriphID7), offset 0xFDC

The **SSIPeriphIDn** registers are hard-coded and the fields within the register determine the reset value.

#### SSI Peripheral Identification 7 (SSIPeriphID7)

SSI0 base: 0x4000.8000  
 Offset 0xFDC  
 Type RO, reset 0x0000.0000



| Bit/Field | Name     | Type | Reset | Description   |
|-----------|----------|------|-------|---|
| 31:8      | reserved | RO   | 0x00  | Software should not rely on the value of a reserved bit. To provide compatibility with future products, the value of a reserved bit should be preserved across a read-modify-write operation. |
| 7:0       | PID7     | RO   | 0x00  | SSI Peripheral ID Register[31:24]<br>Can be used by software to identify the presence of this peripheral.   |

## Register 14: SSI Peripheral Identification 0 (SSIPeriphID0), offset 0xFE0

The **SSIPeriphIDn** registers are hard-coded and the fields within the register determine the reset value.

### SSI Peripheral Identification 0 (SSIPeriphID0)

SSI0 base: 0x4000.8000

Offset 0xFE0

Type RO, reset 0x0000.0022

|       |          |    |    |    |    |    |    |    |      |    |    |    |    |    |    |    |
|-------|----------|----|----|----|----|----|----|----|------|----|----|----|----|----|----|----|
|       | 31       | 30 | 29 | 28 | 27 | 26 | 25 | 24 | 23   | 22 | 21 | 20 | 19 | 18 | 17 | 16 |
|       | reserved |    |    |    |    |    |    |    |      |    |    |    |    |    |    |    |
| Type  | RO       | RO | RO | RO | RO | RO | RO | RO | RO   | RO | RO | RO | RO | RO | RO | RO |
| Reset | 0        | 0  | 0  | 0  | 0  | 0  | 0  | 0  | 0    | 0  | 0  | 0  | 0  | 0  | 0  | 0  |
|       | 15       | 14 | 13 | 12 | 11 | 10 | 9  | 8  | 7    | 6  | 5  | 4  | 3  | 2  | 1  | 0  |
|       | reserved |    |    |    |    |    |    |    | PID0 |    |    |    |    |    |    |    |
| Type  | RO       | RO | RO | RO | RO | RO | RO | RO | RO   | RO | RO | RO | RO | RO | RO | RO |
| Reset | 0        | 0  | 0  | 0  | 0  | 0  | 0  | 0  | 0    | 0  | 0  | 1  | 0  | 0  | 0  | 1  |

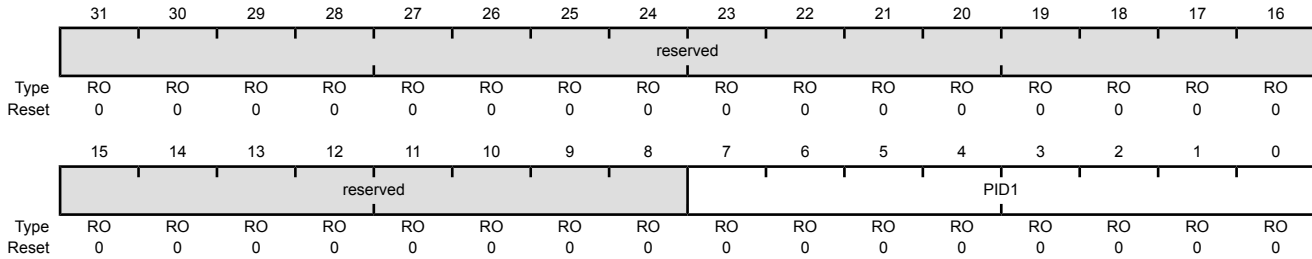
| Bit/Field | Name     | Type | Reset | Description   |
|-----------|----------|------|-------|---|
| 31:8      | reserved | RO   | 0     | Software should not rely on the value of a reserved bit. To provide compatibility with future products, the value of a reserved bit should be preserved across a read-modify-write operation. |
| 7:0       | PID0     | RO   | 0x22  | SSI Peripheral ID Register[7:0]<br>Can be used by software to identify the presence of this peripheral.   |

### Register 15: SSI Peripheral Identification 1 (SSIPeriphID1), offset 0xFE4

The **SSIPeriphIDn** registers are hard-coded and the fields within the register determine the reset value.

#### SSI Peripheral Identification 1 (SSIPeriphID1)

SSI0 base: 0x4000.8000  
 Offset 0xFE4  
 Type RO, reset 0x0000.0000



| Bit/Field | Name     | Type | Reset | Description   |
|-----------|----------|------|-------|---|
| 31:8      | reserved | RO   | 0x00  | Software should not rely on the value of a reserved bit. To provide compatibility with future products, the value of a reserved bit should be preserved across a read-modify-write operation. |
| 7:0       | PID1     | RO   | 0x00  | SSI Peripheral ID Register [15:8]<br>Can be used by software to identify the presence of this peripheral.   |

## Register 16: SSI Peripheral Identification 2 (SSIPeriphID2), offset 0xFE8

The **SSIPeriphIDn** registers are hard-coded and the fields within the register determine the reset value.

### SSI Peripheral Identification 2 (SSIPeriphID2)

SSI0 base: 0x4000.8000

Offset 0xFE8

Type RO, reset 0x0000.0018

|       |          |    |    |    |    |    |    |    |      |    |    |    |    |    |    |    |
|-------|----------|----|----|----|----|----|----|----|------|----|----|----|----|----|----|----|
|       | 31       | 30 | 29 | 28 | 27 | 26 | 25 | 24 | 23   | 22 | 21 | 20 | 19 | 18 | 17 | 16 |
|       | reserved |    |    |    |    |    |    |    |      |    |    |    |    |    |    |    |
| Type  | RO       | RO | RO | RO | RO | RO | RO | RO | RO   | RO | RO | RO | RO | RO | RO | RO |
| Reset | 0        | 0  | 0  | 0  | 0  | 0  | 0  | 0  | 0    | 0  | 0  | 0  | 0  | 0  | 0  | 0  |
|       | 15       | 14 | 13 | 12 | 11 | 10 | 9  | 8  | 7    | 6  | 5  | 4  | 3  | 2  | 1  | 0  |
|       | reserved |    |    |    |    |    |    |    | PID2 |    |    |    |    |    |    |    |
| Type  | RO       | RO | RO | RO | RO | RO | RO | RO | RO   | RO | RO | RO | RO | RO | RO | RO |
| Reset | 0        | 0  | 0  | 0  | 0  | 0  | 0  | 0  | 0    | 0  | 0  | 1  | 1  | 0  | 0  | 0  |

| Bit/Field | Name     | Type | Reset | Description   |
|-----------|----------|------|-------|---|
| 31:8      | reserved | RO   | 0x00  | Software should not rely on the value of a reserved bit. To provide compatibility with future products, the value of a reserved bit should be preserved across a read-modify-write operation. |
| 7:0       | PID2     | RO   | 0x18  | SSI Peripheral ID Register [23:16]<br>Can be used by software to identify the presence of this peripheral.  |

### Register 17: SSI Peripheral Identification 3 (SSIPeriphID3), offset 0xFEC

The **SSIPeriphIDn** registers are hard-coded and the fields within the register determine the reset value.

#### SSI Peripheral Identification 3 (SSIPeriphID3)

SSI0 base: 0x4000.8000  
 Offset 0xFEC  
 Type RO, reset 0x0000.0001

|       |          |    |    |    |    |    |    |    |      |    |    |    |    |    |    |    |
|-------|----------|----|----|----|----|----|----|----|------|----|----|----|----|----|----|----|
|       | 31       | 30 | 29 | 28 | 27 | 26 | 25 | 24 | 23   | 22 | 21 | 20 | 19 | 18 | 17 | 16 |
|       | reserved |    |    |    |    |    |    |    |      |    |    |    |    |    |    |    |
| Type  | RO       | RO | RO | RO | RO | RO | RO | RO | RO   | RO | RO | RO | RO | RO | RO | RO |
| Reset | 0        | 0  | 0  | 0  | 0  | 0  | 0  | 0  | 0    | 0  | 0  | 0  | 0  | 0  | 0  | 0  |
|       | 15       | 14 | 13 | 12 | 11 | 10 | 9  | 8  | 7    | 6  | 5  | 4  | 3  | 2  | 1  | 0  |
|       | reserved |    |    |    |    |    |    |    | PID3 |    |    |    |    |    |    |    |
| Type  | RO       | RO | RO | RO | RO | RO | RO | RO | RO   | RO | RO | RO | RO | RO | RO | RO |
| Reset | 0        | 0  | 0  | 0  | 0  | 0  | 0  | 0  | 0    | 0  | 0  | 0  | 0  | 0  | 0  | 1  |

| Bit/Field | Name     | Type | Reset | Description   |
|-----------|----------|------|-------|---|
| 31:8      | reserved | RO   | 0x00  | Software should not rely on the value of a reserved bit. To provide compatibility with future products, the value of a reserved bit should be preserved across a read-modify-write operation. |
| 7:0       | PID3     | RO   | 0x01  | SSI Peripheral ID Register [31:24]<br>Can be used by software to identify the presence of this peripheral.  |

**Register 18: SSI PrimeCell Identification 0 (SSIPCellID0), offset 0xFF0**

The **SSIPCellIDn** registers are hard-coded, and the fields within the register determine the reset value.

**SSI PrimeCell Identification 0 (SSIPCellID0)**

SSI0 base: 0x4000.8000  
Offset 0xFF0  
Type RO, reset 0x0000.000D

|       |          |    |    |    |    |    |    |    |      |    |    |    |    |    |    |    |
|-------|----------|----|----|----|----|----|----|----|------|----|----|----|----|----|----|----|
|       | 31       | 30 | 29 | 28 | 27 | 26 | 25 | 24 | 23   | 22 | 21 | 20 | 19 | 18 | 17 | 16 |
|       | reserved |    |    |    |    |    |    |    |      |    |    |    |    |    |    |    |
| Type  | RO       | RO | RO | RO | RO | RO | RO | RO | RO   | RO | RO | RO | RO | RO | RO | RO |
| Reset | 0        | 0  | 0  | 0  | 0  | 0  | 0  | 0  | 0    | 0  | 0  | 0  | 0  | 0  | 0  | 0  |
|       | 15       | 14 | 13 | 12 | 11 | 10 | 9  | 8  | 7    | 6  | 5  | 4  | 3  | 2  | 1  | 0  |
|       | reserved |    |    |    |    |    |    |    | CID0 |    |    |    |    |    |    |    |
| Type  | RO       | RO | RO | RO | RO | RO | RO | RO | RO   | RO | RO | RO | RO | RO | RO | RO |
| Reset | 0        | 0  | 0  | 0  | 0  | 0  | 0  | 0  | 0    | 0  | 0  | 0  | 1  | 1  | 0  | 1  |

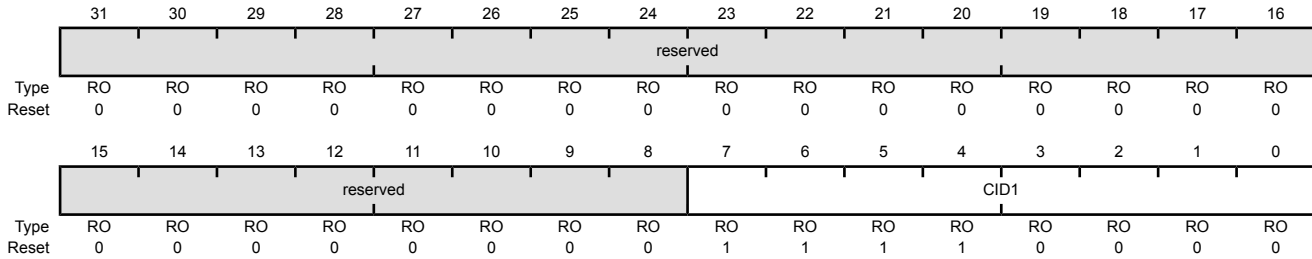
| Bit/Field | Name     | Type | Reset | Description   |
|-----------|----------|------|-------|---|
| 31:8      | reserved | RO   | 0x00  | Software should not rely on the value of a reserved bit. To provide compatibility with future products, the value of a reserved bit should be preserved across a read-modify-write operation. |
| 7:0       | CID0     | RO   | 0x0D  | SSI PrimeCell ID Register [7:0]<br>Provides software a standard cross-peripheral identification system.   |

### Register 19: SSI PrimeCell Identification 1 (SSIPCellID1), offset 0xFF4

The **SSIPCellIDn** registers are hard-coded, and the fields within the register determine the reset value.

#### SSI PrimeCell Identification 1 (SSIPCellID1)

SSI0 base: 0x4000.8000  
 Offset 0xFF4  
 Type RO, reset 0x0000.00F0



| Bit/Field | Name     | Type | Reset | Description   |
|-----------|----------|------|-------|---|
| 31:8      | reserved | RO   | 0x00  | Software should not rely on the value of a reserved bit. To provide compatibility with future products, the value of a reserved bit should be preserved across a read-modify-write operation. |
| 7:0       | CID1     | RO   | 0xF0  | SSI PrimeCell ID Register [15:8]<br>Provides software a standard cross-peripheral identification system.  |

**Register 20: SSI PrimeCell Identification 2 (SSIPCellID2), offset 0xFF8**

The **SSIPCellIDn** registers are hard-coded, and the fields within the register determine the reset value.

**SSI PrimeCell Identification 2 (SSIPCellID2)**

SSI0 base: 0x4000.8000

Offset 0xFF8

Type RO, reset 0x0000.0005

|       |          |    |    |    |    |    |    |    |      |    |    |    |    |    |    |    |
|-------|----------|----|----|----|----|----|----|----|------|----|----|----|----|----|----|----|
|       | 31       | 30 | 29 | 28 | 27 | 26 | 25 | 24 | 23   | 22 | 21 | 20 | 19 | 18 | 17 | 16 |
|       | reserved |    |    |    |    |    |    |    |      |    |    |    |    |    |    |    |
| Type  | RO       | RO | RO | RO | RO | RO | RO | RO | RO   | RO | RO | RO | RO | RO | RO | RO |
| Reset | 0        | 0  | 0  | 0  | 0  | 0  | 0  | 0  | 0    | 0  | 0  | 0  | 0  | 0  | 0  | 0  |
|       | 15       | 14 | 13 | 12 | 11 | 10 | 9  | 8  | 7    | 6  | 5  | 4  | 3  | 2  | 1  | 0  |
|       | reserved |    |    |    |    |    |    |    | CID2 |    |    |    |    |    |    |    |
| Type  | RO       | RO | RO | RO | RO | RO | RO | RO | RO   | RO | RO | RO | RO | RO | RO | RO |
| Reset | 0        | 0  | 0  | 0  | 0  | 0  | 0  | 0  | 0    | 0  | 0  | 0  | 0  | 0  | 1  | 1  |

| Bit/Field | Name     | Type | Reset | Description   |
|-----------|----------|------|-------|---|
| 31:8      | reserved | RO   | 0x00  | Software should not rely on the value of a reserved bit. To provide compatibility with future products, the value of a reserved bit should be preserved across a read-modify-write operation. |
| 7:0       | CID2     | RO   | 0x05  | SSI PrimeCell ID Register [23:16]<br>Provides software a standard cross-peripheral identification system.   |

### Register 21: SSI PrimeCell Identification 3 (SSIPCellID3), offset 0xFFC

The **SSIPCellIDn** registers are hard-coded, and the fields within the register determine the reset value.

#### SSI PrimeCell Identification 3 (SSIPCellID3)

SSI0 base: 0x4000.8000  
 Offset 0xFFC  
 Type RO, reset 0x0000.00B1

|       |          |    |    |    |    |    |    |    |      |    |    |    |    |    |    |    |
|-------|----------|----|----|----|----|----|----|----|------|----|----|----|----|----|----|----|
|       | 31       | 30 | 29 | 28 | 27 | 26 | 25 | 24 | 23   | 22 | 21 | 20 | 19 | 18 | 17 | 16 |
|       | reserved |    |    |    |    |    |    |    |      |    |    |    |    |    |    |    |
| Type  | RO       | RO | RO | RO | RO | RO | RO | RO | RO   | RO | RO | RO | RO | RO | RO | RO |
| Reset | 0        | 0  | 0  | 0  | 0  | 0  | 0  | 0  | 0    | 0  | 0  | 0  | 0  | 0  | 0  | 0  |
|       | 15       | 14 | 13 | 12 | 11 | 10 | 9  | 8  | 7    | 6  | 5  | 4  | 3  | 2  | 1  | 0  |
|       | reserved |    |    |    |    |    |    |    | CID3 |    |    |    |    |    |    |    |
| Type  | RO       | RO | RO | RO | RO | RO | RO | RO | RO   | RO | RO | RO | RO | RO | RO | RO |
| Reset | 0        | 0  | 0  | 0  | 0  | 0  | 0  | 0  | 1    | 0  | 1  | 1  | 0  | 0  | 0  | 1  |

| Bit/Field | Name     | Type | Reset | Description   |
|-----------|----------|------|-------|---|
| 31:8      | reserved | RO   | 0x00  | Software should not rely on the value of a reserved bit. To provide compatibility with future products, the value of a reserved bit should be preserved across a read-modify-write operation. |
| 7:0       | CID3     | RO   | 0xB1  | SSI PrimeCell ID Register [31:24]<br>Provides software a standard cross-peripheral identification system.   |

## 12 Analog Comparators

An analog comparator is a peripheral that compares two analog voltages, and provides a logical output that signals the comparison result.

**Note:** Not all comparators have the option to drive an output pin. See the Comparator Operating Mode tables in “Functional Description” on page 407 for more information.

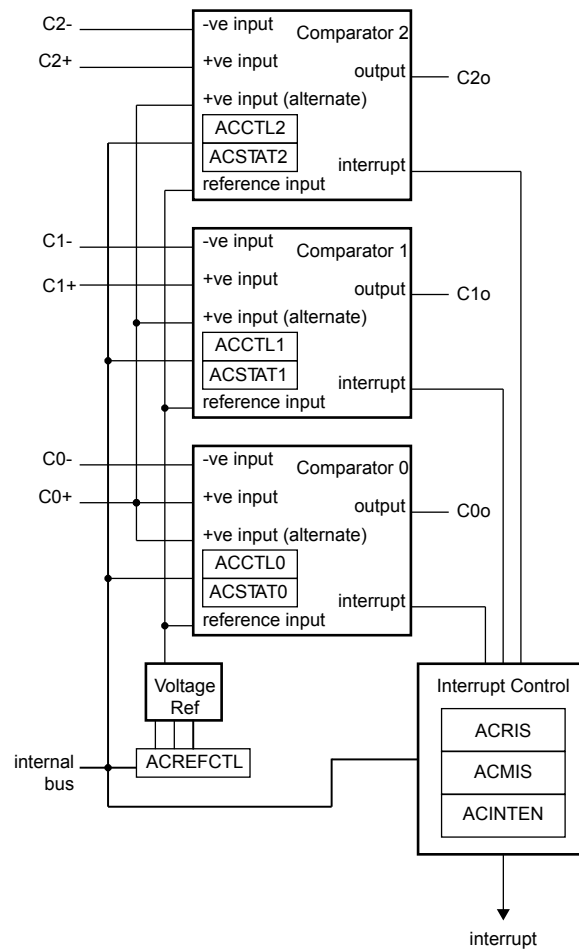
The comparator can provide its output to a device pin, acting as a replacement for an analog comparator on the board, or it can be used to signal the application via interrupts to cause it to start capturing a sample sequence.

The Stellaris® Analog Comparators module has the following features:

- Three independent integrated analog comparators
- Configurable for output to drive an output pin or generate an interrupt
- Compare external pin input to external pin input or to internal programmable voltage reference
- Compare a test voltage against any one of these voltages
  - An individual external reference voltage
  - A shared single external reference voltage
  - A shared internal reference voltage

## 12.1 Block Diagram

Figure 12-1. Analog Comparator Module Block Diagram



## 12.2 Signal Description

Table 12-1 on page 406 and Table 12-2 on page 407 list the external signals of the Analog Comparators and describe the function of each. The Analog Comparator output signals are alternate functions for some GPIO signals and default to be GPIO signals at reset. The column in the table below titled "Pin Assignment" lists the possible GPIO pin placements for the Analog Comparator signals. The `AFSEL` bit in the **GPIO Alternate Function Select (GPIOAFSEL)** register (page 245) should be set to choose the Analog Comparator function. The positive and negative input signals are configured by clearing the `DEN` bit in the **GPIO Digital Enable (GPIODEN)** register. For more information on configuring GPIOs, see "General-Purpose Input/Outputs (GPIOs)" on page 224.

Table 12-1. Analog Comparators Signals (48QFP)

| Pin Name | Pin Number | Pin Type | Buffer Type <sup>a</sup> | Description                         |
|----------|------------|----------|--------------------------|-------------------------------------|
| C0+      | 42         | I        | Analog                   | Analog comparator 0 positive input. |
| C0-      | 44         | I        | Analog                   | Analog comparator 0 negative input. |
| C0o      | 48         | O        | TTL                      | Analog comparator 0 output.         |

**Table 12-1. Analog Comparators Signals (48QFP) (continued)**

| Pin Name | Pin Number | Pin Type | Buffer Type <sup>a</sup> | Description                         |
|----------|------------|----------|--------------------------|-------------------------------------|
| C1+      | 13         | I        | Analog                   | Analog comparator 1 positive input. |
| C1-      | 43         | I        | Analog                   | Analog comparator 1 negative input. |
| C1o      | 13         | O        | TTL                      | Analog comparator 1 output.         |
| C2+      | 12         | I        | Analog                   | Analog comparator 2 positive input. |
| C2-      | 11         | I        | Analog                   | Analog comparator 2 negative input. |
| C2o      | 12         | O        | TTL                      | Analog comparator 2 output.         |

a. The TTL designation indicates the pin has TTL-compatible voltage levels.

**Table 12-2. Analog Comparators Signals (48QFN)**

| Pin Name | Pin Number | Pin Type | Buffer Type <sup>a</sup> | Description                         |
|----------|------------|----------|--------------------------|-------------------------------------|
| C0+      | 42         | I        | Analog                   | Analog comparator 0 positive input. |
| C0-      | 44         | I        | Analog                   | Analog comparator 0 negative input. |
| C0o      | 48         | O        | TTL                      | Analog comparator 0 output.         |
| C1+      | 13         | I        | Analog                   | Analog comparator 1 positive input. |
| C1-      | 43         | I        | Analog                   | Analog comparator 1 negative input. |
| C1o      | 13         | O        | TTL                      | Analog comparator 1 output.         |
| C2+      | 12         | I        | Analog                   | Analog comparator 2 positive input. |
| C2-      | 11         | I        | Analog                   | Analog comparator 2 negative input. |
| C2o      | 12         | O        | TTL                      | Analog comparator 2 output.         |

a. The TTL designation indicates the pin has TTL-compatible voltage levels.

## 12.3 Functional Description

**Important:** It is recommended that the Digital-Input enable (the `GPIO_DEN` bit in the GPIO module) for the analog input pin be disabled to prevent excessive current draw from the I/O pads.

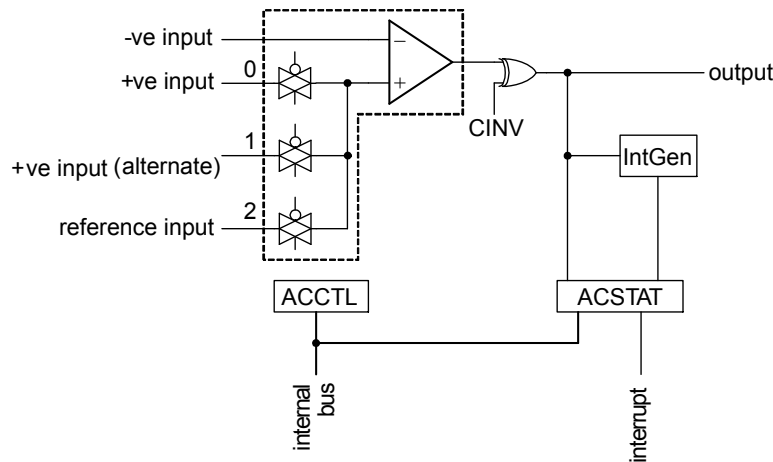
The comparator compares the  $V_{IN-}$  and  $V_{IN+}$  inputs to produce an output,  $V_{OUT}$ .

$$V_{IN-} < V_{IN+}, V_{OUT} = 1$$

$$V_{IN-} > V_{IN+}, V_{OUT} = 0$$

As shown in Figure 12-2 on page 408, the input source for  $V_{IN-}$  is an external input. In addition to an external input, input sources for  $V_{IN+}$  can be the +ve input of comparator 0 or an internal reference.

Figure 12-2. Structure of Comparator Unit



A comparator is configured through two status/control registers (**ACCTL** and **ACSTAT**). The internal reference is configured through one control register (**ACREFCTL**). Interrupt status and control is configured through three registers (**ACMIS**, **ACRIS**, and **ACINTEN**). The operating modes of the comparators are shown in the Comparator Operating Mode tables.

Typically, the comparator output is used internally to generate controller interrupts. It may also be used to drive an external pin.

**Important:** The **ASRCP** bits in the **ACCTLn** register must be set before using the analog comparators. The proper pad configuration for the comparator input and output pins are described in the Comparator Operating Mode tables.

Table 12-3. Comparator 0 Operating Modes

| ACCTL0 | Comparator 0 |          |        |           |
|--------|--------------|----------|--------|-----------|
| ASRCP  | VIN-         | VIN+     | Output | Interrupt |
| 00     | C0-          | C0+      | C0o    | yes       |
| 01     | C0-          | C0+      | C0o    | yes       |
| 10     | C0-          | Vref     | C0o    | yes       |
| 11     | C0-          | reserved | C0o    | yes       |

Table 12-4. Comparator 1 Operating Modes

| ACCTL1 | Comparator 1 |                      |         |           |
|--------|--------------|----------------------|---------|-----------|
| ASRCP  | VIN-         | VIN+                 | Output  | Interrupt |
| 00     | C1-          | C1+/C1o <sup>a</sup> | C1o/C1+ | yes       |
| 01     | C1-          | C0+                  | C1o/C1+ | yes       |
| 10     | C1-          | Vref                 | C1o/C1+ | yes       |
| 11     | C1-          | reserved             | C1o/C1+ | yes       |

a. C1o and C1+ signals share a single pin and may only be used as one or the other.

Table 12-5. Comparator 2 Operating Modes

| ACCTL2 | Comparator 2 |                      |         |           |
|--------|--------------|----------------------|---------|-----------|
| ASRCP  | VIN-         | VIN+                 | Output  | Interrupt |
| 00     | C2-          | C2+/C2o <sup>a</sup> | C2o/C2+ | yes       |
| 01     | C2-          | C0+                  | C2o/C2+ | yes       |
| 10     | C2-          | Vref                 | C2o/C2+ | yes       |
| 11     | C2-          | reserved             | C2o/C2+ | yes       |

a. C2o and C2+ signals share a single pin and may only be used as one or the other.

### 12.3.1 Internal Reference Programming

The structure of the internal reference is shown in Figure 12-3 on page 409. This is controlled by a single configuration register (**ACREFCTL**). Table 12-6 on page 409 shows the programming options to develop specific internal reference values, to compare an external voltage against a particular voltage generated internally.

Figure 12-3. Comparator Internal Reference Structure

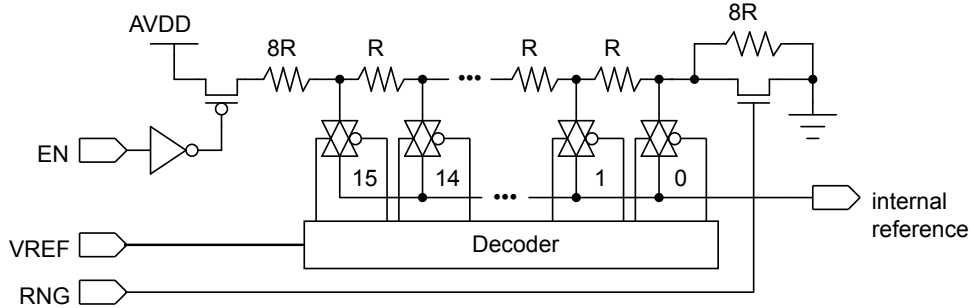


Table 12-6. Internal Reference Voltage and ACREFTL Field Values

| ACREFCTL Register |               | Output Reference Voltage Based on VREF Field Value  |
|-------------------|---------------|---|
| EN Bit Value      | RNG Bit Value |   |
| EN=0              | RNG=X         | 0 V (GND) for any value of VREF; however, it is recommended that RNG=1 and VREF=0 for the least noisy ground reference. |

Table 12-6. Internal Reference Voltage and ACREFACTL Field Values (continued)

| ACREFACTL Register |               | Output Reference Voltage Based on VREF Field Value  |
|--------------------|---------------|---|
| EN Bit Value       | RNG Bit Value |   |
| EN=1               | RNG=0         | <p>Total resistance in ladder is 31 R.</p> $V_{REF} = AV_{DD} \times \frac{R_{VREF}}{R_T}$ $V_{REF} = AV_{DD} \times \frac{(VREF + 8)}{31}$ $V_{REF} = 0.85 + 0.106 \times VREF$ <p>The range of internal reference in this mode is 0.85-2.448 V.</p> |
|                    | RNG=1         | <p>Total resistance in ladder is 23 R.</p> $V_{REF} = AV_{DD} \times \frac{R_{VREF}}{R_T}$ $V_{REF} = AV_{DD} \times \frac{VREF}{23}$ $V_{REF} = 0.143 \times VREF$ <p>The range of internal reference for this mode is 0-2.152 V.</p>                |

## 12.4 Initialization and Configuration

The following example shows how to configure an analog comparator to read back its output value from an internal register.

1. Enable the analog comparator 0 clock by writing a value of 0x0010.0000 to the **RCGC1** register in the System Control module.
2. In the GPIO module, enable the GPIO port/pin associated with C0- as a GPIO input.
3. Configure the internal voltage reference to 1.65 V by writing the **ACREFACTL** register with the value 0x0000.030C.
4. Configure comparator 0 to use the internal voltage reference and to *not* invert the output by writing the **ACCTL0** register with the value of 0x0000.040C.
5. Delay for some time.
6. Read the comparator output value by reading the **ACSTAT0** register's OVAL value.

Change the level of the signal input on C0- to see the OVAL value change.

## 12.5 Register Map

Table 12-7 on page 411 lists the comparator registers. The offset listed is a hexadecimal increment to the register's address, relative to the Analog Comparator base address of 0x4003.C000.

Note that the analog comparator module clock must be enabled before the registers can be programmed (see page 192). There must be a delay of 3 system clocks after the ADC module clock is enabled before any ADC module registers are accessed.

**Table 12-7. Analog Comparators Register Map**

| Offset | Name     | Type  | Reset       | Description                                 | See page |
|--------|----------|-------|-------------|---|----------|
| 0x000  | ACMIS    | R/W1C | 0x0000.0000 | Analog Comparator Masked Interrupt Status   | 412      |
| 0x004  | ACRIS    | RO    | 0x0000.0000 | Analog Comparator Raw Interrupt Status      | 413      |
| 0x008  | ACINTEN  | R/W   | 0x0000.0000 | Analog Comparator Interrupt Enable          | 414      |
| 0x010  | ACREFCTL | R/W   | 0x0000.0000 | Analog Comparator Reference Voltage Control | 415      |
| 0x020  | ACSTAT0  | RO    | 0x0000.0000 | Analog Comparator Status 0                  | 416      |
| 0x024  | ACCTL0   | R/W   | 0x0000.0000 | Analog Comparator Control 0                 | 417      |
| 0x040  | ACSTAT1  | RO    | 0x0000.0000 | Analog Comparator Status 1                  | 416      |
| 0x044  | ACCTL1   | R/W   | 0x0000.0000 | Analog Comparator Control 1                 | 417      |
| 0x060  | ACSTAT2  | RO    | 0x0000.0000 | Analog Comparator Status 2                  | 416      |
| 0x064  | ACCTL2   | R/W   | 0x0000.0000 | Analog Comparator Control 2                 | 417      |

## 12.6 Register Descriptions

The remainder of this section lists and describes the Analog Comparator registers, in numerical order by address offset.

## Register 1: Analog Comparator Masked Interrupt Status (ACMIS), offset 0x000

This register provides a summary of the interrupt status (masked) of the comparator.

### Analog Comparator Masked Interrupt Status (ACMIS)

Base 0x4003.C000

Offset 0x000

Type R/W1C, reset 0x0000.0000

|       |          |    |    |    |    |    |    |    |    |    |    |    |    |     |       |       |       |
|-------|----------|----|----|----|----|----|----|----|----|----|----|----|----|-----|-------|-------|-------|
|       | 31       | 30 | 29 | 28 | 27 | 26 | 25 | 24 | 23 | 22 | 21 | 20 | 19 | 18  | 17    | 16    |       |
|       | reserved |    |    |    |    |    |    |    |    |    |    |    |    |     |       |       |       |
| Type  | RO       | RO | RO | RO | RO | RO | RO | RO | RO | RO | RO | RO | RO | RO  | RO    | RO    |       |
| Reset | 0        | 0  | 0  | 0  | 0  | 0  | 0  | 0  | 0  | 0  | 0  | 0  | 0  | 0   | 0     | 0     |       |
|       | 15       | 14 | 13 | 12 | 11 | 10 | 9  | 8  | 7  | 6  | 5  | 4  | 3  | 2   | 1     | 0     |       |
|       | reserved |    |    |    |    |    |    |    |    |    |    |    |    | IN2 | IN1   | IN0   |       |
| Type  | RO       | RO | RO | RO | RO | RO | RO | RO | RO | RO | RO | RO | RO | RO  | R/W1C | R/W1C | R/W1C |
| Reset | 0        | 0  | 0  | 0  | 0  | 0  | 0  | 0  | 0  | 0  | 0  | 0  | 0  | 0   | 0     | 0     | 0     |

| Bit/Field | Name     | Type  | Reset | Description   |
|-----------|----------|-------|-------|---|
| 31:3      | reserved | RO    | 0x00  | Software should not rely on the value of a reserved bit. To provide compatibility with future products, the value of a reserved bit should be preserved across a read-modify-write operation. |
| 2         | IN2      | R/W1C | 0     | Comparator 2 Masked Interrupt Status<br>Gives the masked interrupt state of this interrupt. Write 1 to this bit to clear the pending interrupt.   |
| 1         | IN1      | R/W1C | 0     | Comparator 1 Masked Interrupt Status<br>Gives the masked interrupt state of this interrupt. Write 1 to this bit to clear the pending interrupt.   |
| 0         | IN0      | R/W1C | 0     | Comparator 0 Masked Interrupt Status<br>Gives the masked interrupt state of this interrupt. Write 1 to this bit to clear the pending interrupt.   |

**Register 2: Analog Comparator Raw Interrupt Status (ACRIS), offset 0x004**

This register provides a summary of the interrupt status (raw) of the comparator.

**Analog Comparator Raw Interrupt Status (ACRIS)**

Base 0x4003.C000

Offset 0x004

Type RO, reset 0x0000.0000

|       |          |    |    |    |    |    |    |    |    |    |    |    |    |     |     |     |
|-------|----------|----|----|----|----|----|----|----|----|----|----|----|----|-----|-----|-----|
|       | 31       | 30 | 29 | 28 | 27 | 26 | 25 | 24 | 23 | 22 | 21 | 20 | 19 | 18  | 17  | 16  |
|       | reserved |    |    |    |    |    |    |    |    |    |    |    |    |     |     |     |
| Type  | RO       | RO | RO | RO | RO | RO | RO | RO | RO | RO | RO | RO | RO | RO  | RO  | RO  |
| Reset | 0        | 0  | 0  | 0  | 0  | 0  | 0  | 0  | 0  | 0  | 0  | 0  | 0  | 0   | 0   | 0   |
|       | 15       | 14 | 13 | 12 | 11 | 10 | 9  | 8  | 7  | 6  | 5  | 4  | 3  | 2   | 1   | 0   |
|       | reserved |    |    |    |    |    |    |    |    |    |    |    |    | IN2 | IN1 | IN0 |
| Type  | RO       | RO | RO | RO | RO | RO | RO | RO | RO | RO | RO | RO | RO | RO  | RO  | RO  |
| Reset | 0        | 0  | 0  | 0  | 0  | 0  | 0  | 0  | 0  | 0  | 0  | 0  | 0  | 0   | 0   | 0   |

| Bit/Field | Name     | Type | Reset | Description   |
|-----------|----------|------|-------|---|
| 31:3      | reserved | RO   | 0x00  | Software should not rely on the value of a reserved bit. To provide compatibility with future products, the value of a reserved bit should be preserved across a read-modify-write operation. |
| 2         | IN2      | RO   | 0     | Comparator 2 Interrupt Status<br>When set, indicates that an interrupt has been generated by comparator 2.  |
| 1         | IN1      | RO   | 0     | Comparator 1 Interrupt Status<br>When set, indicates that an interrupt has been generated by comparator 1.  |
| 0         | IN0      | RO   | 0     | Comparator 0 Interrupt Status<br>When set, indicates that an interrupt has been generated by comparator 0.  |

### Register 3: Analog Comparator Interrupt Enable (ACINTEN), offset 0x008

This register provides the interrupt enable for the comparator.

#### Analog Comparator Interrupt Enable (ACINTEN)

Base 0x4003.C000  
 Offset 0x008  
 Type R/W, reset 0x0000.0000

|       |          |    |    |    |    |    |    |    |    |    |    |    |    |     |     |     |     |
|-------|----------|----|----|----|----|----|----|----|----|----|----|----|----|-----|-----|-----|-----|
|       | 31       | 30 | 29 | 28 | 27 | 26 | 25 | 24 | 23 | 22 | 21 | 20 | 19 | 18  | 17  | 16  |     |
|       | reserved |    |    |    |    |    |    |    |    |    |    |    |    |     |     |     |     |
| Type  | RO       | RO | RO | RO | RO | RO | RO | RO | RO | RO | RO | RO | RO | RO  | RO  | RO  |     |
| Reset | 0        | 0  | 0  | 0  | 0  | 0  | 0  | 0  | 0  | 0  | 0  | 0  | 0  | 0   | 0   | 0   |     |
|       | 15       | 14 | 13 | 12 | 11 | 10 | 9  | 8  | 7  | 6  | 5  | 4  | 3  | 2   | 1   | 0   |     |
|       | reserved |    |    |    |    |    |    |    |    |    |    |    |    | IN2 | IN1 | IN0 |     |
| Type  | RO       | RO | RO | RO | RO | RO | RO | RO | RO | RO | RO | RO | RO | RO  | R/W | R/W | R/W |
| Reset | 0        | 0  | 0  | 0  | 0  | 0  | 0  | 0  | 0  | 0  | 0  | 0  | 0  | 0   | 0   | 0   | 0   |

| Bit/Field | Name     | Type | Reset | Description   |
|-----------|----------|------|-------|---|
| 31:3      | reserved | RO   | 0x00  | Software should not rely on the value of a reserved bit. To provide compatibility with future products, the value of a reserved bit should be preserved across a read-modify-write operation. |
| 2         | IN2      | R/W  | 0     | Comparator 2 Interrupt Enable<br>When set, enables the controller interrupt from the comparator 2 output  |
| 1         | IN1      | R/W  | 0     | Comparator 1 Interrupt Enable<br>When set, enables the controller interrupt from the comparator 1 output.   |
| 0         | IN0      | R/W  | 0     | Comparator 0 Interrupt Enable<br>When set, enables the controller interrupt from the comparator 0 output.   |

## Register 4: Analog Comparator Reference Voltage Control (ACREFCTL), offset 0x010

This register specifies whether the resistor ladder is powered on as well as the range and tap.

### Analog Comparator Reference Voltage Control (ACREFCTL)

Base 0x4003.C000

Offset 0x010

Type R/W, reset 0x0000.0000

|       |          |    |    |    |    |    |     |     |          |    |    |    |     |      |     |     |  |
|-------|----------|----|----|----|----|----|-----|-----|----------|----|----|----|-----|------|-----|-----|--|
|       | 31       | 30 | 29 | 28 | 27 | 26 | 25  | 24  | 23       | 22 | 21 | 20 | 19  | 18   | 17  | 16  |  |
|       | reserved |    |    |    |    |    |     |     |          |    |    |    |     |      |     |     |  |
| Type  | RO       | RO | RO | RO | RO | RO | RO  | RO  | RO       | RO | RO | RO | RO  | RO   | RO  | RO  |  |
| Reset | 0        | 0  | 0  | 0  | 0  | 0  | 0   | 0   | 0        | 0  | 0  | 0  | 0   | 0    | 0   | 0   |  |
|       | 15       | 14 | 13 | 12 | 11 | 10 | 9   | 8   | 7        | 6  | 5  | 4  | 3   | 2    | 1   | 0   |  |
|       | reserved |    |    |    |    |    | EN  | RNG | reserved |    |    |    |     | VREF |     |     |  |
| Type  | RO       | RO | RO | RO | RO | RO | R/W | R/W | RO       | RO | RO | RO | R/W | R/W  | R/W | R/W |  |
| Reset | 0        | 0  | 0  | 0  | 0  | 0  | 0   | 0   | 0        | 0  | 0  | 0  | 0   | 0    | 0   | 0   |  |

| Bit/Field | Name     | Type | Reset | Description   |
|-----------|----------|------|-------|---|
| 31:10     | reserved | RO   | 0x00  | Software should not rely on the value of a reserved bit. To provide compatibility with future products, the value of a reserved bit should be preserved across a read-modify-write operation.   |
| 9         | EN       | R/W  | 0     | <p>Resistor Ladder Enable</p> <p>The <b>EN</b> bit specifies whether the resistor ladder is powered on. If 0, the resistor ladder is unpowered. If 1, the resistor ladder is connected to the analog <math>V_{DD}</math>.</p> <p>This bit is reset to 0 so that the internal reference consumes the least amount of power if not used and programmed.</p> |
| 8         | RNG      | R/W  | 0     | <p>Resistor Ladder Range</p> <p>The <b>RNG</b> bit specifies the range of the resistor ladder. If 0, the resistor ladder has a total resistance of 31 R. If 1, the resistor ladder has a total resistance of 23 R.</p>  |
| 7:4       | reserved | RO   | 0x00  | Software should not rely on the value of a reserved bit. To provide compatibility with future products, the value of a reserved bit should be preserved across a read-modify-write operation.   |
| 3:0       | VREF     | R/W  | 0x00  | <p>Resistor Ladder Voltage Ref</p> <p>The <b>VREF</b> bit field specifies the resistor ladder tap that is passed through an analog multiplexer. The voltage corresponding to the tap position is the internal reference voltage available for comparison. See Table 12-6 on page 409 for some output reference voltage examples.</p>                      |

**Register 5: Analog Comparator Status 0 (ACSTAT0), offset 0x020**

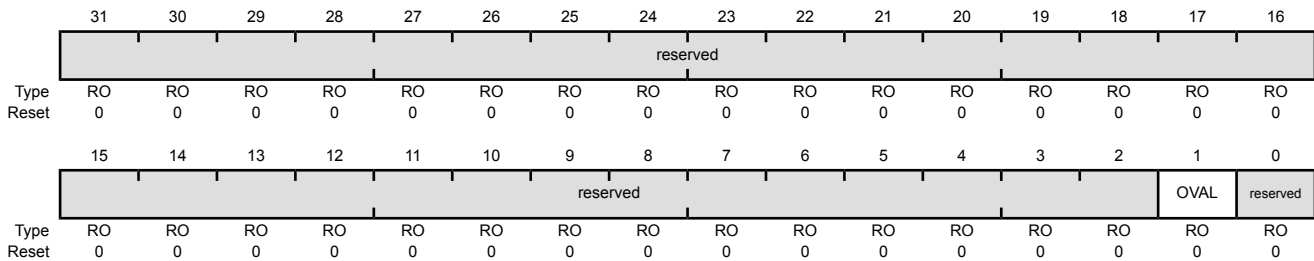
**Register 6: Analog Comparator Status 1 (ACSTAT1), offset 0x040**

**Register 7: Analog Comparator Status 2 (ACSTAT2), offset 0x060**

These registers specify the current output value of the comparator.

Analog Comparator Status 0 (ACSTAT0)

Base 0x4003.C000  
 Offset 0x020  
 Type RO, reset 0x0000.0000



| Bit/Field | Name     | Type | Reset | Description   |
|-----------|----------|------|-------|---|
| 31:2      | reserved | RO   | 0x00  | Software should not rely on the value of a reserved bit. To provide compatibility with future products, the value of a reserved bit should be preserved across a read-modify-write operation. |
| 1         | OVAL     | RO   | 0     | Comparator Output Value<br>The OVAL bit specifies the current output value of the comparator.   |
| 0         | reserved | RO   | 0     | Software should not rely on the value of a reserved bit. To provide compatibility with future products, the value of a reserved bit should be preserved across a read-modify-write operation. |

**Register 8: Analog Comparator Control 0 (ACCTL0), offset 0x024****Register 9: Analog Comparator Control 1 (ACCTL1), offset 0x044****Register 10: Analog Comparator Control 2 (ACCTL2), offset 0x064**

These registers configure the comparator's input and output.

**Analog Comparator Control 0 (ACCTL0)**

Base 0x4003.C000

Offset 0x024

Type R/W, reset 0x0000.0000

|       |          |    |    |    |       |     |          |    |    |    |        |      |     |      |          |    |
|-------|----------|----|----|----|-------|-----|----------|----|----|----|--------|------|-----|------|----------|----|
|       | 31       | 30 | 29 | 28 | 27    | 26  | 25       | 24 | 23 | 22 | 21     | 20   | 19  | 18   | 17       | 16 |
|       | reserved |    |    |    |       |     |          |    |    |    |        |      |     |      |          |    |
| Type  | RO       | RO | RO | RO | RO    | RO  | RO       | RO | RO | RO | RO     | RO   | RO  | RO   | RO       | RO |
| Reset | 0        | 0  | 0  | 0  | 0     | 0   | 0        | 0  | 0  | 0  | 0      | 0    | 0   | 0    | 0        | 0  |
|       | 15       | 14 | 13 | 12 | 11    | 10  | 9        | 8  | 7  | 6  | 5      | 4    | 3   | 2    | 1        | 0  |
|       | reserved |    |    |    | ASRCP |     | reserved |    |    |    | ISLVAL | ISEN |     | CINV | reserved |    |
| Type  | RO       | RO | RO | RO | RO    | R/W | R/W      | RO | RO | RO | RO     | R/W  | R/W | R/W  | R/W      | RO |
| Reset | 0        | 0  | 0  | 0  | 0     | 0   | 0        | 0  | 0  | 0  | 0      | 0    | 0   | 0    | 0        | 0  |

| Bit/Field | Name                       | Type | Reset | Description   |       |          |     |           |     |                  |     |                            |     |          |
|-----------|----------------------------|------|-------|---|-------|----------|-----|-----------|-----|------------------|-----|----------------------------|-----|----------|
| 31:11     | reserved                   | RO   | 0x00  | Software should not rely on the value of a reserved bit. To provide compatibility with future products, the value of a reserved bit should be preserved across a read-modify-write operation.   |       |          |     |           |     |                  |     |                            |     |          |
| 10:9      | ASRCP                      | R/W  | 0x00  | <p>Analog Source Positive</p> <p>The <code>ASRCP</code> field specifies the source of input voltage to the VIN+ terminal of the comparator. The encodings for this field are as follows:</p> <table border="1"> <thead> <tr> <th>Value</th> <th>Function</th> </tr> </thead> <tbody> <tr> <td>0x0</td> <td>Pin value</td> </tr> <tr> <td>0x1</td> <td>Pin value of C0+</td> </tr> <tr> <td>0x2</td> <td>Internal voltage reference</td> </tr> <tr> <td>0x3</td> <td>Reserved</td> </tr> </tbody> </table> | Value | Function | 0x0 | Pin value | 0x1 | Pin value of C0+ | 0x2 | Internal voltage reference | 0x3 | Reserved |
| Value     | Function                   |      |       |   |       |          |     |           |     |                  |     |                            |     |          |
| 0x0       | Pin value                  |      |       |   |       |          |     |           |     |                  |     |                            |     |          |
| 0x1       | Pin value of C0+           |      |       |   |       |          |     |           |     |                  |     |                            |     |          |
| 0x2       | Internal voltage reference |      |       |   |       |          |     |           |     |                  |     |                            |     |          |
| 0x3       | Reserved                   |      |       |   |       |          |     |           |     |                  |     |                            |     |          |
| 8:5       | reserved                   | RO   | 0     | Software should not rely on the value of a reserved bit. To provide compatibility with future products, the value of a reserved bit should be preserved across a read-modify-write operation.   |       |          |     |           |     |                  |     |                            |     |          |
| 4         | ISLVAL                     | R/W  | 0     | <p>Interrupt Sense Level Value</p> <p>The <code>ISLVAL</code> bit specifies the sense value of the input that generates an interrupt if in Level Sense mode. If 0, an interrupt is generated if the comparator output is Low. Otherwise, an interrupt is generated if the comparator output is High.</p>  |       |          |     |           |     |                  |     |                            |     |          |

| Bit/Field | Name                                 | Type | Reset | Description   |       |          |     |                                      |     |              |     |             |     |             |
|-----------|--------------------------------------|------|-------|---|-------|----------|-----|--------------------------------------|-----|--------------|-----|-------------|-----|-------------|
| 3:2       | ISEN                                 | R/W  | 0x0   | <p>Interrupt Sense</p> <p>The <code>ISEN</code> field specifies the sense of the comparator output that generates an interrupt. The sense conditioning is as follows:</p> <table><thead><tr><th>Value</th><th>Function</th></tr></thead><tbody><tr><td>0x0</td><td>Level sense, see <code>ISLVAL</code></td></tr><tr><td>0x1</td><td>Falling edge</td></tr><tr><td>0x2</td><td>Rising edge</td></tr><tr><td>0x3</td><td>Either edge</td></tr></tbody></table> | Value | Function | 0x0 | Level sense, see <code>ISLVAL</code> | 0x1 | Falling edge | 0x2 | Rising edge | 0x3 | Either edge |
| Value     | Function                             |      |       |   |       |          |     |                                      |     |              |     |             |     |             |
| 0x0       | Level sense, see <code>ISLVAL</code> |      |       |   |       |          |     |                                      |     |              |     |             |     |             |
| 0x1       | Falling edge                         |      |       |   |       |          |     |                                      |     |              |     |             |     |             |
| 0x2       | Rising edge                          |      |       |   |       |          |     |                                      |     |              |     |             |     |             |
| 0x3       | Either edge                          |      |       |   |       |          |     |                                      |     |              |     |             |     |             |
| 1         | CINV                                 | R/W  | 0     | <p>Comparator Output Invert</p> <p>The <code>CINV</code> bit conditionally inverts the output of the comparator. If 0, the output of the comparator is unchanged. If 1, the output of the comparator is inverted prior to being processed by hardware.</p>  |       |          |     |                                      |     |              |     |             |     |             |
| 0         | reserved                             | RO   | 0     | <p>Software should not rely on the value of a reserved bit. To provide compatibility with future products, the value of a reserved bit should be preserved across a read-modify-write operation.</p>  |       |          |     |                                      |     |              |     |             |     |             |

## 13 Pulse Width Modulator (PWM)

Pulse width modulation (PWM) is a powerful technique for digitally encoding analog signal levels. High-resolution counters are used to generate a square wave, and the duty cycle of the square wave is modulated to encode an analog signal. Typical applications include switching power supplies and motor control.

The Stellaris® PWM module consists of three PWM generator blocks and a control block. The control block determines the polarity of the PWM signals, and which signals are passed through to the pins.

Each PWM generator block produces two PWM signals that can either be independent signals (other than being based on the same timer and therefore having the same frequency) or a single pair of complementary signals with dead-band delays inserted. The output of the PWM generation blocks are managed by the output control block before being passed to the device pins.

The Stellaris PWM module provides a great deal of flexibility. It can generate simple PWM signals, such as those required by a simple charge pump. It can also generate paired PWM signals with dead-band delays, such as those required by a half-H bridge driver. Three generator blocks can also generate the full six channels of gate controls required by a 3-phase inverter bridge.

Each Stellaris PWM module has the following features:

- Three PWM generator blocks, each with one 16-bit counter, two PWM comparators, a PWM signal generator, a dead-band generator, and an interrupt selector
- One fault input in hardware to promote low-latency shutdown
- One 16-bit counter
  - Runs in Down or Up/Down mode
  - Output frequency controlled by a 16-bit load value
  - Load value updates can be synchronized
  - Produces output signals at zero and load value
- Two PWM comparators
  - Comparator value updates can be synchronized
  - Produces output signals on match
- PWM generator
  - Output PWM signal is constructed based on actions taken as a result of the counter and PWM comparator output signals
  - Produces two independent PWM signals
- Dead-band generator
  - Produces two PWM signals with programmable dead-band delays suitable for driving a half-H bridge
  - Can be bypassed, leaving input PWM signals unmodified

- Flexible output control block with PWM output enable of each PWM signal
  - PWM output enable of each PWM signal
  - Optional output inversion of each PWM signal (polarity control)
  - Optional fault handling for each PWM signal
  - Synchronization of timers in the PWM generator blocks
  - Interrupt status summary of the PWM generator blocks

### 13.1 Block Diagram

Figure 13-1 on page 420 provides the Stellaris PWM module unit diagram and Figure 13-2 on page 421 provides a more detailed diagram of a Stellaris PWM generator. The LM3S310 controller contains three generator blocks (PWM0, PWM1, and PWM2) and generates six independent PWM signals or three paired PWM signals with dead-band delays inserted.

**Figure 13-1. PWM Unit Diagram**

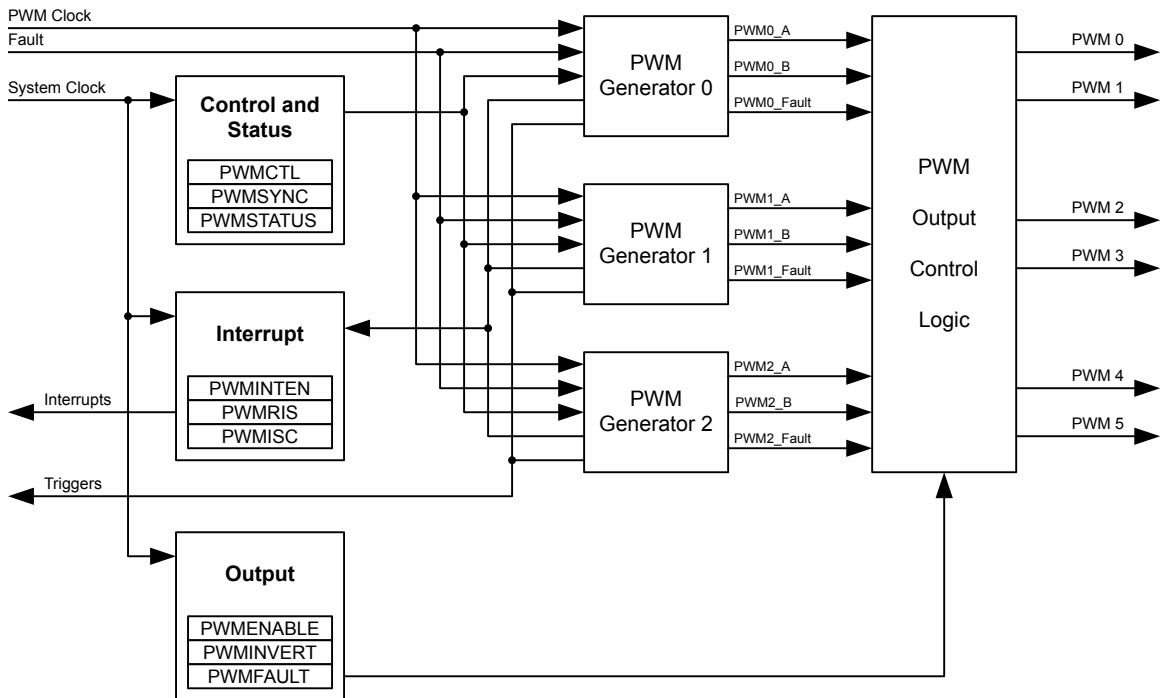
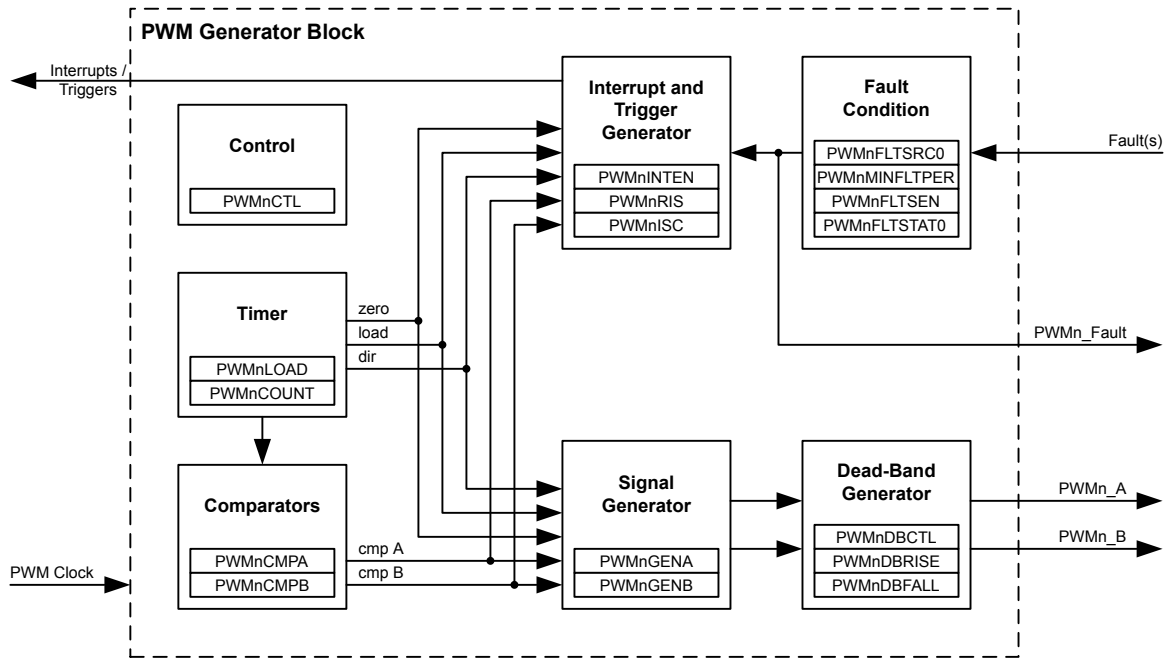


Figure 13-2. PWM Module Block Diagram



## 13.2 Signal Description

Table 13-1 on page 421 and Table 13-2 on page 421 list the external signals of the PWM module and describe the function of each. The PWM controller signals are alternate functions for some GPIO signals and default to be GPIO signals at reset. The column in the table below titled "Pin Assignment" lists the possible GPIO pin placements for these PWM signals. The `AFSEL` bit in the **GPIO Alternate Function Select (GPIOAFSEL)** register (page 245) should be set to choose the PWM function. For more information on configuring GPIOs, see "General-Purpose Input/Outputs (GPIOs)" on page 224.

Table 13-1. PWM Signals (48QFP)

| Pin Name | Pin Number | Pin Type | Buffer Type <sup>a</sup> | Description  |
|----------|------------|----------|--------------------------|--|
| Fault    | 47         | I        | TTL                      | PWM Fault.   |
| PWM0     | 25         | O        | TTL                      | PWM 0. This signal is controlled by PWM Generator 0. |
| PWM1     | 26         | O        | TTL                      | PWM 1. This signal is controlled by PWM Generator 0. |
| PWM2     | 29         | O        | TTL                      | PWM 2. This signal is controlled by PWM Generator 1. |
| PWM3     | 30         | O        | TTL                      | PWM 3. This signal is controlled by PWM Generator 1. |
| PWM4     | 35         | O        | TTL                      | PWM 4. This signal is controlled by PWM Generator 2. |
| PWM5     | 36         | O        | TTL                      | PWM 5. This signal is controlled by PWM Generator 2. |

a. The TTL designation indicates the pin has TTL-compatible voltage levels.

Table 13-2. PWM Signals (48QFN)

| Pin Name | Pin Number | Pin Type | Buffer Type <sup>a</sup> | Description  |
|----------|------------|----------|--------------------------|--|
| Fault    | 47         | I        | TTL                      | PWM Fault.   |
| PWM0     | 25         | O        | TTL                      | PWM 0. This signal is controlled by PWM Generator 0. |
| PWM1     | 26         | O        | TTL                      | PWM 1. This signal is controlled by PWM Generator 0. |

Table 13-2. PWM Signals (48QFN) (continued)

| Pin Name | Pin Number | Pin Type | Buffer Type <sup>a</sup> | Description  |
|----------|------------|----------|--------------------------|--|
| PWM2     | 29         | O        | TTL                      | PWM 2. This signal is controlled by PWM Generator 1. |
| PWM3     | 30         | O        | TTL                      | PWM 3. This signal is controlled by PWM Generator 1. |
| PWM4     | 35         | O        | TTL                      | PWM 4. This signal is controlled by PWM Generator 2. |
| PWM5     | 36         | O        | TTL                      | PWM 5. This signal is controlled by PWM Generator 2. |

a. The TTL designation indicates the pin has TTL-compatible voltage levels.

## 13.3 Functional Description

### 13.3.1 PWM Timer

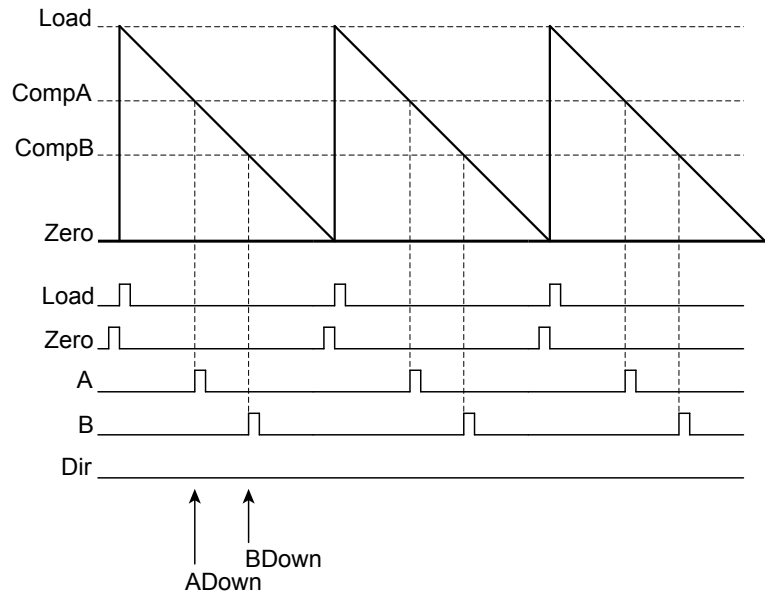
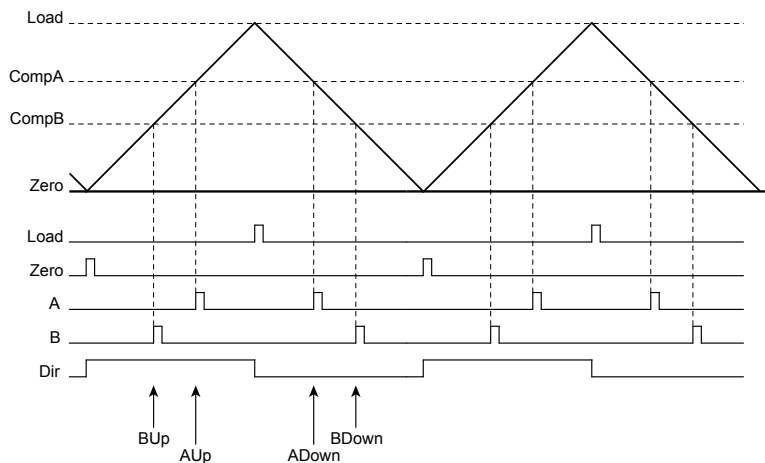
The timer in each PWM generator runs in one of two modes: Count-Down mode or Count-Up/Down mode. In Count-Down mode, the timer counts from the load value to zero, goes back to the load value, and continues counting down. In Count-Up/Down mode, the timer counts from zero up to the load value, back down to zero, back up to the load value, and so on. Generally, Count-Down mode is used for generating left- or right-aligned PWM signals, while the Count-Up/Down mode is used for generating center-aligned PWM signals.

The timers output three signals that are used in the PWM generation process: the direction signal (this is always Low in Count-Down mode, but alternates between Low and High in Count-Up/Down mode), a single-clock-cycle-width High pulse when the counter is zero, and a single-clock-cycle-width High pulse when the counter is equal to the load value. Note that in Count-Down mode, the zero pulse is immediately followed by the load pulse.

### 13.3.2 PWM Comparators

There are two comparators in each PWM generator that monitor the value of the counter; when either match the counter, they output a single-clock-cycle-width High pulse. When in Count-Up/Down mode, these comparators match both when counting up and when counting down; they are therefore qualified by the counter direction signal. These qualified pulses are used in the PWM generation process. If either comparator match value is greater than the counter load value, then that comparator never outputs a High pulse.

Figure 13-3 on page 423 shows the behavior of the counter and the relationship of these pulses when the counter is in Count-Down mode. Figure 13-4 on page 423 shows the behavior of the counter and the relationship of these pulses when the counter is in Count-Up/Down mode.

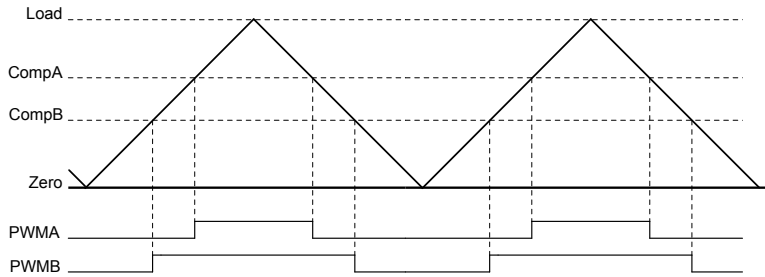
**Figure 13-3. PWM Count-Down Mode****Figure 13-4. PWM Count-Up/Down Mode**

### 13.3.3 PWM Signal Generator

The PWM generator takes these pulses (qualified by the direction signal), and generates two PWM signals. In Count-Down mode, there are four events that can affect the PWM signal: zero, load, match A down, and match B down. In Count-Up/Down mode, there are six events that can affect the PWM signal: zero, load, match A down, match A up, match B down, and match B up. The match A or match B events are ignored when they coincide with the zero or load events. If the match A and match B events coincide, the first signal,  $PWMA$ , is generated based only on the match A event, and the second signal,  $PWMB$ , is generated based only on the match B event.

For each event, the effect on each output PWM signal is programmable: it can be left alone (ignoring the event), it can be toggled, it can be driven Low, or it can be driven High. These actions can be used to generate a pair of PWM signals of various positions and duty cycles, which do or do not overlap. Figure 13-5 on page 424 shows the use of Count-Up/Down mode to generate a pair of center-aligned, overlapped PWM signals that have different duty cycles.

**Figure 13-5. PWM Generation Example In Count-Up/Down Mode**



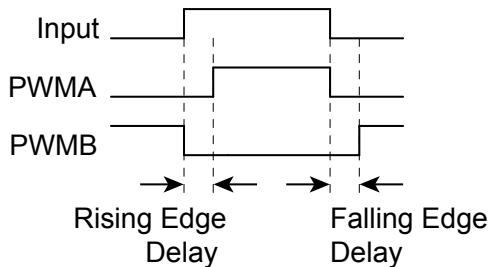
In this example, the first generator is set to drive High on match A up, drive Low on match A down, and ignore the other four events. The second generator is set to drive High on match B up, drive Low on match B down, and ignore the other four events. Changing the value of comparator A changes the duty cycle of the `PWMA` signal, and changing the value of comparator B changes the duty cycle of the `PWMB` signal.

### 13.3.4 Dead-Band Generator

The two PWM signals produced by the PWM generator are passed to the dead-band generator. If disabled, the PWM signals simply pass through unmodified. If enabled, the second PWM signal is lost and two PWM signals are generated based on the first PWM signal. The first output PWM signal is the input signal with the rising edge delayed by a programmable amount. The second output PWM signal is the inversion of the input signal with a programmable delay added between the falling edge of the input signal and the rising edge of this new signal.

This is therefore a pair of active High signals where one is always High, except for a programmable amount of time at transitions where both are Low. These signals are therefore suitable for driving a half-H bridge, with the dead-band delays preventing shoot-through current from damaging the power electronics. Figure 13-6 on page 424 shows the effect of the dead-band generator on an input PWM signal.

**Figure 13-6. PWM Dead-Band Generator**



### 13.3.5 Interrupt Selector

The PWM generator also takes the same four (or six) counter events and uses them to generate an interrupt. Any of these events or a set of these events can be selected as a source for an interrupt; when any of the selected events occur, an interrupt is generated. The selection of events allows the interrupt to occur at a specific position within the PWM signal. Note that interrupts are based on the raw events; delays in the PWM signal edges caused by the dead-band generator are not taken into account.

### 13.3.6 Synchronization Methods

There is a global reset capability that can synchronously reset any or all of the counters in the PWM generators. If multiple PWM generators are configured with the same counter load value, this can be used to guarantee that they also have the same count value (this does imply that the PWM generators must be configured before they are synchronized). With this, more than two PWM signals can be produced with a known relationship between the edges of those signals since the counters always have the same values.

The counter load values and comparator match values of the PWM generator can be updated in two ways. The first is immediate update mode, where a new value is used as soon as the counter reaches zero. By waiting for the counter to reach zero, a guaranteed behavior is defined, and overly short or overly long output PWM pulses are prevented.

The other update method is synchronous, where the new value is not used until a global synchronized update signal is asserted, at which point the new value is used as soon as the counter reaches zero. This second mode allows multiple items in multiple PWM generators to be updated simultaneously without odd effects during the update; everything runs from the old values until a point at which they all run from the new values. The Update mode of the load and comparator match values can be individually configured in each PWM generator block. It typically makes sense to use the synchronous update mechanism across PWM generator blocks when the timers in those blocks are synchronized, though this is not required in order for this mechanism to function properly.

### 13.3.7 Fault Conditions

There are two external conditions that affect the PWM block; the signal input on the Fault pin and the stalling of the controller by a debugger. There are two mechanisms available to handle such conditions: the output signals can be forced into an inactive state and/or the PWM timers can be stopped.

Each output signal has a fault bit. If set, a fault input signal causes the corresponding output signal to go into the inactive state. If the inactive state is a safe condition for the signal to be in for an extended period of time, this keeps the output signal from driving the outside world in a dangerous manner during the fault condition. A fault condition can also generate a controller interrupt.

Each PWM generator can also be configured to stop counting during a stall condition. The user can select for the counters to run until they reach zero then stop, or to continue counting and reloading. A stall condition does not generate a controller interrupt.

### 13.3.8 Output Control Block

With each PWM generator block producing two raw PWM signals, the output control block takes care of the final conditioning of the PWM signals before they go to the pins. Via a single register, the set of PWM signals that are actually enabled to the pins can be modified; this can be used, for example, to perform commutation of a brushless DC motor with a single register write (and without modifying the individual PWM generators, which are modified by the feedback control loop). Similarly, fault control can disable any of the PWM signals as well. A final inversion can be applied to any of the PWM signals, making them active Low instead of the default active High.

## 13.4 Initialization and Configuration

The following example shows how to initialize the PWM Generator 0 with a 25-KHz frequency, and with a 25% duty cycle on the `PWM0` pin and a 75% duty cycle on the `PWM1` pin. This example assumes the system clock is 20 MHz.

1. Enable the PWM clock by writing a value of 0x0010.0000 to the **RCGC0** register in the System Control module.
2. In the GPIO module, enable the appropriate pins for their alternate function using the **GPIOAFSEL** register.
3. Configure the **Run-Mode Clock Configuration (RCC)** register in the System Control module to use the PWM divide (**USEPWMDIV**) and set the divider (**PWMDIV**) to divide by 2 (000).
4. Configure the PWM generator for countdown mode with immediate updates to the parameters.
  - Write the **PWM0CTL** register with a value of 0x0000.0000.
  - Write the **PWM0GENA** register with a value of 0x0000.008C.
  - Write the **PWM0GENB** register with a value of 0x0000.080C.
5. Set the period. For a 25-KHz frequency, the period = 1/25,000, or 40 microseconds. The PWM clock source is 10 MHz; the system clock divided by 2. This translates to 400 clock ticks per period. Use this value to set the **PWM0LOAD** register. In Count-Down mode, set the **Load** field in the **PWM0LOAD** register to the requested period minus one.
  - Write the **PWM0LOAD** register with a value of 0x0000.018F.
6. Set the pulse width of the **PWM0** pin for a 25% duty cycle.
  - Write the **PWM0CMPA** register with a value of 0x0000.012B.
7. Set the pulse width of the **PWM1** pin for a 75% duty cycle.
  - Write the **PWM0CMPB** register with a value of 0x0000.0063.
8. Start the timers in PWM generator 0.
  - Write the **PWM0CTL** register with a value of 0x0000.0001.
9. Enable PWM outputs.
  - Write the **PWMENABLE** register with a value of 0x0000.0003.

## 13.5 Register Map

Table 13-3 on page 426 lists the PWM registers. The offset listed is a hexadecimal increment to the register's address, relative to the PWM base address of 0x4002.8000. Note that the PWM module clock must be enabled before the registers can be programmed (see page 189). There must be a delay of 3 system clocks after the PWM module clock is enabled before any PWM module registers are accessed.

**Table 13-3. PWM Register Map**

| Offset | Name    | Type | Reset       | Description        | See page |
|--------|---------|------|-------------|--------------------|----------|
| 0x000  | PWMCTL  | R/W  | 0x0000.0000 | PWM Master Control | 429      |
| 0x004  | PWMSYNC | R/W  | 0x0000.0000 | PWM Time Base Sync | 430      |

Table 13-3. PWM Register Map (continued)

| Offset | Name       | Type  | Reset       | Description                       | See page |
|--------|------------|-------|-------------|-----------------------------------|----------|
| 0x008  | PWMENABLE  | R/W   | 0x0000.0000 | PWM Output Enable                 | 431      |
| 0x00C  | PWMINVERT  | R/W   | 0x0000.0000 | PWM Output Inversion              | 432      |
| 0x010  | PWMFAULT   | R/W   | 0x0000.0000 | PWM Output Fault                  | 433      |
| 0x014  | PWMINTEN   | R/W   | 0x0000.0000 | PWM Interrupt Enable              | 434      |
| 0x018  | PWMRIS     | RO    | 0x0000.0000 | PWM Raw Interrupt Status          | 435      |
| 0x01C  | PWMISC     | R/W1C | 0x0000.0000 | PWM Interrupt Status and Clear    | 436      |
| 0x020  | PWMSTATUS  | RO    | 0x0000.0000 | PWM Status                        | 437      |
| 0x040  | PWM0CTL    | R/W   | 0x0000.0000 | PWM0 Control                      | 438      |
| 0x044  | PWM0INTEN  | R/W   | 0x0000.0000 | PWM0 Interrupt Enable             | 440      |
| 0x048  | PWM0RIS    | RO    | 0x0000.0000 | PWM0 Raw Interrupt Status         | 442      |
| 0x04C  | PWM0ISC    | R/W1C | 0x0000.0000 | PWM0 Interrupt Status and Clear   | 443      |
| 0x050  | PWM0LOAD   | R/W   | 0x0000.0000 | PWM0 Load                         | 444      |
| 0x054  | PWM0COUNT  | RO    | 0x0000.0000 | PWM0 Counter                      | 445      |
| 0x058  | PWM0CMPA   | R/W   | 0x0000.0000 | PWM0 Compare A                    | 446      |
| 0x05C  | PWM0CMPB   | R/W   | 0x0000.0000 | PWM0 Compare B                    | 447      |
| 0x060  | PWM0GENA   | R/W   | 0x0000.0000 | PWM0 Generator A Control          | 448      |
| 0x064  | PWM0GENB   | R/W   | 0x0000.0000 | PWM0 Generator B Control          | 451      |
| 0x068  | PWM0DBCTL  | R/W   | 0x0000.0000 | PWM0 Dead-Band Control            | 454      |
| 0x06C  | PWM0DBRISE | R/W   | 0x0000.0000 | PWM0 Dead-Band Rising-Edge Delay  | 455      |
| 0x070  | PWM0DBFALL | R/W   | 0x0000.0000 | PWM0 Dead-Band Falling-Edge-Delay | 456      |
| 0x080  | PWM1CTL    | R/W   | 0x0000.0000 | PWM1 Control                      | 438      |
| 0x084  | PWM1INTEN  | R/W   | 0x0000.0000 | PWM1 Interrupt Enable             | 440      |
| 0x088  | PWM1RIS    | RO    | 0x0000.0000 | PWM1 Raw Interrupt Status         | 442      |
| 0x08C  | PWM1ISC    | R/W1C | 0x0000.0000 | PWM1 Interrupt Status and Clear   | 443      |
| 0x090  | PWM1LOAD   | R/W   | 0x0000.0000 | PWM1 Load                         | 444      |
| 0x094  | PWM1COUNT  | RO    | 0x0000.0000 | PWM1 Counter                      | 445      |
| 0x098  | PWM1CMPA   | R/W   | 0x0000.0000 | PWM1 Compare A                    | 446      |
| 0x09C  | PWM1CMPB   | R/W   | 0x0000.0000 | PWM1 Compare B                    | 447      |
| 0x0A0  | PWM1GENA   | R/W   | 0x0000.0000 | PWM1 Generator A Control          | 448      |
| 0x0A4  | PWM1GENB   | R/W   | 0x0000.0000 | PWM1 Generator B Control          | 451      |
| 0x0A8  | PWM1DBCTL  | R/W   | 0x0000.0000 | PWM1 Dead-Band Control            | 454      |
| 0x0AC  | PWM1DBRISE | R/W   | 0x0000.0000 | PWM1 Dead-Band Rising-Edge Delay  | 455      |

Table 13-3. PWM Register Map (continued)

| Offset | Name       | Type  | Reset       | Description                       | See page |
|--------|------------|-------|-------------|-----------------------------------|----------|
| 0x0B0  | PWM1DBFALL | R/W   | 0x0000.0000 | PWM1 Dead-Band Falling-Edge-Delay | 456      |
| 0x0C0  | PWM2CTL    | R/W   | 0x0000.0000 | PWM2 Control                      | 438      |
| 0x0C4  | PWM2INTEN  | R/W   | 0x0000.0000 | PWM2 InterruptEnable              | 440      |
| 0x0C8  | PWM2RIS    | RO    | 0x0000.0000 | PWM2 Raw Interrupt Status         | 442      |
| 0x0CC  | PWM2ISC    | R/W1C | 0x0000.0000 | PWM2 Interrupt Status and Clear   | 443      |
| 0x0D0  | PWM2LOAD   | R/W   | 0x0000.0000 | PWM2 Load                         | 444      |
| 0x0D4  | PWM2COUNT  | RO    | 0x0000.0000 | PWM2 Counter                      | 445      |
| 0x0D8  | PWM2CMPA   | R/W   | 0x0000.0000 | PWM2 Compare A                    | 446      |
| 0x0DC  | PWM2CMPB   | R/W   | 0x0000.0000 | PWM2 Compare B                    | 447      |
| 0x0E0  | PWM2GENA   | R/W   | 0x0000.0000 | PWM2 Generator A Control          | 448      |
| 0x0E4  | PWM2GENB   | R/W   | 0x0000.0000 | PWM2 Generator B Control          | 451      |
| 0x0E8  | PWM2DBCTL  | R/W   | 0x0000.0000 | PWM2 Dead-Band Control            | 454      |
| 0x0EC  | PWM2DBRISE | R/W   | 0x0000.0000 | PWM2 Dead-Band Rising-Edge Delay  | 455      |
| 0x0F0  | PWM2DBFALL | R/W   | 0x0000.0000 | PWM2 Dead-Band Falling-Edge-Delay | 456      |

## 13.6 Register Descriptions

The remainder of this section lists and describes the PWM registers, in numerical order by address offset.

## Register 1: PWM Master Control (PWMCTL), offset 0x000

This register provides master control over the PWM generation blocks.

### PWM Master Control (PWMCTL)

Base 0x4002.8000  
Offset 0x000  
Type R/W, reset 0x0000.0000

|       |          |    |    |    |    |    |    |    |    |    |    |    |    |             |             |             |     |
|-------|----------|----|----|----|----|----|----|----|----|----|----|----|----|-------------|-------------|-------------|-----|
|       | 31       | 30 | 29 | 28 | 27 | 26 | 25 | 24 | 23 | 22 | 21 | 20 | 19 | 18          | 17          | 16          |     |
|       | reserved |    |    |    |    |    |    |    |    |    |    |    |    |             |             |             |     |
| Type  | RO       | RO | RO | RO | RO | RO | RO | RO | RO | RO | RO | RO | RO | RO          | RO          | RO          |     |
| Reset | 0        | 0  | 0  | 0  | 0  | 0  | 0  | 0  | 0  | 0  | 0  | 0  | 0  | 0           | 0           | 0           |     |
|       | 15       | 14 | 13 | 12 | 11 | 10 | 9  | 8  | 7  | 6  | 5  | 4  | 3  | 2           | 1           | 0           |     |
|       | reserved |    |    |    |    |    |    |    |    |    |    |    |    | GlobalSync2 | GlobalSync1 | GlobalSync0 |     |
| Type  | RO       | RO | RO | RO | RO | RO | RO | RO | RO | RO | RO | RO | RO | RO          | R/W         | R/W         | R/W |
| Reset | 0        | 0  | 0  | 0  | 0  | 0  | 0  | 0  | 0  | 0  | 0  | 0  | 0  | 0           | 0           | 0           | 0   |

| Bit/Field | Name        | Type | Reset | Description  |
|-----------|-------------|------|-------|--|
| 31:3      | reserved    | RO   | 0x00  | Software should not rely on the value of a reserved bit. To provide compatibility with future products, the value of a reserved bit should be preserved across a read-modify-write operation.  |
| 2         | GlobalSync2 | R/W  | 0     | Update PWM Generator 2<br>Same as GlobalSync0 but for PWM generator 2.   |
| 1         | GlobalSync1 | R/W  | 0     | Update PWM Generator 1<br>Same as GlobalSync0 but for PWM generator 1.   |
| 0         | GlobalSync0 | R/W  | 0     | Update PWM Generator 0<br>Setting this bit causes any queued update to a load or comparator register in PWM generator 0 to be applied the next time the corresponding counter becomes zero. This bit automatically clears when the updates have completed; it cannot be cleared by software. |

## Register 2: PWM Time Base Sync (PWMSYNC), offset 0x004

This register provides a method to perform synchronization of the counters in the PWM generation blocks. Writing a bit in this register to 1 causes the specified counter to reset back to 0; writing multiple bits resets multiple counters simultaneously. The bits auto-clear after the reset has occurred; reading them back as zero indicates that the synchronization has completed.

### PWM Time Base Sync (PWMSYNC)

Base 0x4002.8000  
 Offset 0x004  
 Type R/W, reset 0x0000.0000

|       |          |    |    |    |    |    |    |    |    |    |    |    |    |       |       |       |
|-------|----------|----|----|----|----|----|----|----|----|----|----|----|----|-------|-------|-------|
|       | 31       | 30 | 29 | 28 | 27 | 26 | 25 | 24 | 23 | 22 | 21 | 20 | 19 | 18    | 17    | 16    |
|       | reserved |    |    |    |    |    |    |    |    |    |    |    |    |       |       |       |
| Type  | RO       | RO | RO | RO | RO | RO | RO | RO | RO | RO | RO | RO | RO | RO    | RO    | RO    |
| Reset | 0        | 0  | 0  | 0  | 0  | 0  | 0  | 0  | 0  | 0  | 0  | 0  | 0  | 0     | 0     | 0     |
|       | 15       | 14 | 13 | 12 | 11 | 10 | 9  | 8  | 7  | 6  | 5  | 4  | 3  | 2     | 1     | 0     |
|       | reserved |    |    |    |    |    |    |    |    |    |    |    |    | Sync2 | Sync1 | Sync0 |
| Type  | RO       | RO | RO | RO | RO | RO | RO | RO | RO | RO | RO | RO | RO | R/W   | R/W   | R/W   |
| Reset | 0        | 0  | 0  | 0  | 0  | 0  | 0  | 0  | 0  | 0  | 0  | 0  | 0  | 0     | 0     | 0     |

| Bit/Field | Name     | Type | Reset | Description   |
|-----------|----------|------|-------|---|
| 31:3      | reserved | RO   | 0x00  | Software should not rely on the value of a reserved bit. To provide compatibility with future products, the value of a reserved bit should be preserved across a read-modify-write operation. |
| 2         | Sync2    | R/W  | 0     | Reset Generator 2 Counter<br>Performs a reset of the PWM generator 2 counter.   |
| 1         | Sync1    | R/W  | 0     | Reset Generator 1 Counter<br>Performs a reset of the PWM generator 1 counter.   |
| 0         | Sync0    | R/W  | 0     | Reset Generator 0 Counter<br>Performs a reset of the PWM generator 0 counter.   |

### Register 3: PWM Output Enable (PWMENTABLE), offset 0x008

This register provides a master control of which generated PWM signals are output to device pins. By disabling a PWM output, the generation process can continue (for example, when the time bases are synchronized) without driving PWM signals to the pins. When bits in this register are set, the corresponding PWM signal is passed through to the output stage, which is controlled by the **PWMINVERT** register. When bits are not set, the PWM signal is replaced by a zero value which is also passed to the output stage.

#### PWM Output Enable (PWMENTABLE)

Base 0x4002.8000  
Offset 0x008  
Type R/W, reset 0x0000.0000

|       |          |    |    |    |    |    |    |    |    |    |    |        |        |        |        |        |        |
|-------|----------|----|----|----|----|----|----|----|----|----|----|--------|--------|--------|--------|--------|--------|
|       | 31       | 30 | 29 | 28 | 27 | 26 | 25 | 24 | 23 | 22 | 21 | 20     | 19     | 18     | 17     | 16     |        |
|       | reserved |    |    |    |    |    |    |    |    |    |    |        |        |        |        |        |        |
| Type  | RO       | RO | RO | RO | RO | RO | RO | RO | RO | RO | RO | RO     | RO     | RO     | RO     | RO     |        |
| Reset | 0        | 0  | 0  | 0  | 0  | 0  | 0  | 0  | 0  | 0  | 0  | 0      | 0      | 0      | 0      | 0      |        |
|       | 15       | 14 | 13 | 12 | 11 | 10 | 9  | 8  | 7  | 6  | 5  | 4      | 3      | 2      | 1      | 0      |        |
|       | reserved |    |    |    |    |    |    |    |    |    |    | PWM5En | PWM4En | PWM3En | PWM2En | PWM1En | PWM0En |
| Type  | RO       | RO | RO | RO | RO | RO | RO | RO | RO | RO | RO | R/W    | R/W    | R/W    | R/W    | R/W    |        |
| Reset | 0        | 0  | 0  | 0  | 0  | 0  | 0  | 0  | 0  | 0  | 0  | 0      | 0      | 0      | 0      | 0      |        |

| Bit/Field | Name     | Type | Reset | Description   |
|-----------|----------|------|-------|---|
| 31:6      | reserved | RO   | 0x00  | Software should not rely on the value of a reserved bit. To provide compatibility with future products, the value of a reserved bit should be preserved across a read-modify-write operation. |
| 5         | PWM5En   | R/W  | 0     | PWM5 Output Enable<br>When set, allows the generated <code>PWM5</code> signal to be passed to the device pin.   |
| 4         | PWM4En   | R/W  | 0     | PWM4 Output Enable<br>When set, allows the generated <code>PWM4</code> signal to be passed to the device pin.   |
| 3         | PWM3En   | R/W  | 0     | PWM3 Output Enable<br>When set, allows the generated <code>PWM3</code> signal to be passed to the device pin.   |
| 2         | PWM2En   | R/W  | 0     | PWM2 Output Enable<br>When set, allows the generated <code>PWM2</code> signal to be passed to the device pin.   |
| 1         | PWM1En   | R/W  | 0     | PWM1 Output Enable<br>When set, allows the generated <code>PWM1</code> signal to be passed to the device pin.   |
| 0         | PWM0En   | R/W  | 0     | PWM0 Output Enable<br>When set, allows the generated <code>PWM0</code> signal to be passed to the device pin.   |

### Register 4: PWM Output Inversion (PWMINVERT), offset 0x00C

This register provides a master control of the polarity of the PWM signals on the device pins. The PWM signals generated by the PWM generator are active High; they can optionally be made active Low via this register. Disabled PWM channels are also passed through the output inverter (if so configured) so that inactive channels maintain the correct polarity.

#### PWM Output Inversion (PWMINVERT)

Base 0x4002.8000  
 Offset 0x00C  
 Type R/W, reset 0x0000.0000

|       |          |    |    |    |    |    |    |    |    |    |    |         |         |         |         |         |         |
|-------|----------|----|----|----|----|----|----|----|----|----|----|---------|---------|---------|---------|---------|---------|
|       | 31       | 30 | 29 | 28 | 27 | 26 | 25 | 24 | 23 | 22 | 21 | 20      | 19      | 18      | 17      | 16      |         |
|       | reserved |    |    |    |    |    |    |    |    |    |    |         |         |         |         |         |         |
| Type  | RO       | RO | RO | RO | RO | RO | RO | RO | RO | RO | RO | RO      | RO      | RO      | RO      | RO      |         |
| Reset | 0        | 0  | 0  | 0  | 0  | 0  | 0  | 0  | 0  | 0  | 0  | 0       | 0       | 0       | 0       | 0       |         |
|       | 15       | 14 | 13 | 12 | 11 | 10 | 9  | 8  | 7  | 6  | 5  | 4       | 3       | 2       | 1       | 0       |         |
|       | reserved |    |    |    |    |    |    |    |    |    |    | PWM5Inv | PWM4Inv | PWM3Inv | PWM2Inv | PWM1Inv | PWM0Inv |
| Type  | RO       | RO | RO | RO | RO | RO | RO | RO | RO | RO | RO | R/W     | R/W     | R/W     | R/W     | R/W     |         |
| Reset | 0        | 0  | 0  | 0  | 0  | 0  | 0  | 0  | 0  | 0  | 0  | 0       | 0       | 0       | 0       | 0       |         |

| Bit/Field | Name     | Type | Reset | Description   |
|-----------|----------|------|-------|---|
| 31:6      | reserved | RO   | 0x00  | Software should not rely on the value of a reserved bit. To provide compatibility with future products, the value of a reserved bit should be preserved across a read-modify-write operation. |
| 5         | PWM5Inv  | R/W  | 0     | Invert PWM5 Signal<br>When set, the generated PWM5 signal is inverted.  |
| 4         | PWM4Inv  | R/W  | 0     | Invert PWM4 Signal<br>When set, the generated PWM4 signal is inverted.  |
| 3         | PWM3Inv  | R/W  | 0     | Invert PWM3 Signal<br>When set, the generated PWM3 signal is inverted.  |
| 2         | PWM2Inv  | R/W  | 0     | Invert PWM2 Signal<br>When set, the generated PWM2 signal is inverted.  |
| 1         | PWM1Inv  | R/W  | 0     | Invert PWM1 Signal<br>When set, the generated PWM1 signal is inverted.  |
| 0         | PWM0Inv  | R/W  | 0     | Invert PWM0 Signal<br>When set, the generated PWM0 signal is inverted.  |

## Register 5: PWM Output Fault (PWMFAULT), offset 0x010

This register controls the behavior of the PWM outputs in the presence of fault conditions. Both the fault inputs and debug events are considered fault conditions. On a fault condition, each PWM signal can be passed through unmodified or driven Low. For outputs that are configured for pass-through, the debug event handling on the corresponding PWM generator also determines if the PWM signal continues to be generated.

Fault condition control occurs before the output inverter, so PWM signals driven Low on fault are inverted if the channel is configured for inversion (therefore, the pin is driven High on a fault condition).

### PWM Output Fault (PWMFAULT)

Base 0x4002.8000  
Offset 0x010  
Type R/W, reset 0x0000.0000

|       |          |    |    |    |    |    |    |    |    |    |    |        |        |        |        |        |        |
|-------|----------|----|----|----|----|----|----|----|----|----|----|--------|--------|--------|--------|--------|--------|
|       | 31       | 30 | 29 | 28 | 27 | 26 | 25 | 24 | 23 | 22 | 21 | 20     | 19     | 18     | 17     | 16     |        |
|       | reserved |    |    |    |    |    |    |    |    |    |    |        |        |        |        |        |        |
| Type  | RO       | RO | RO | RO | RO | RO | RO | RO | RO | RO | RO | RO     | RO     | RO     | RO     | RO     |        |
| Reset | 0        | 0  | 0  | 0  | 0  | 0  | 0  | 0  | 0  | 0  | 0  | 0      | 0      | 0      | 0      | 0      |        |
|       | 15       | 14 | 13 | 12 | 11 | 10 | 9  | 8  | 7  | 6  | 5  | 4      | 3      | 2      | 1      | 0      |        |
|       | reserved |    |    |    |    |    |    |    |    |    |    | Fault5 | Fault4 | Fault3 | Fault2 | Fault1 | Fault0 |
| Type  | RO       | RO | RO | RO | RO | RO | RO | RO | RO | RO | RO | R/W    | R/W    | R/W    | R/W    | R/W    |        |
| Reset | 0        | 0  | 0  | 0  | 0  | 0  | 0  | 0  | 0  | 0  | 0  | 0      | 0      | 0      | 0      | 0      |        |

| Bit/Field | Name     | Type | Reset | Description   |
|-----------|----------|------|-------|---|
| 31:6      | reserved | RO   | 0x00  | Software should not rely on the value of a reserved bit. To provide compatibility with future products, the value of a reserved bit should be preserved across a read-modify-write operation. |
| 5         | Fault5   | R/W  | 0     | PWM5 Fault<br>When set, the PWM5 output signal is driven Low on a fault condition.  |
| 4         | Fault4   | R/W  | 0     | PWM4 Fault<br>When set, the PWM4 output signal is driven Low on a fault condition.  |
| 3         | Fault3   | R/W  | 0     | PWM3 Fault<br>When set, the PWM3 output signal is driven Low on a fault condition.  |
| 2         | Fault2   | R/W  | 0     | PWM2 Fault<br>When set, the PWM2 output signal is driven Low on a fault condition.  |
| 1         | Fault1   | R/W  | 0     | PWM1 Fault<br>When set, the PWM1 output signal is driven Low on a fault condition.  |
| 0         | Fault0   | R/W  | 0     | PWM0 Fault<br>When set, the PWM0 output signal is driven Low on a fault condition.  |

### Register 6: PWM Interrupt Enable (PWMINTEN), offset 0x014

This register controls the global interrupt generation capabilities of the PWM module. The events that can cause an interrupt are the fault input and the individual interrupts from the PWM generators.

#### PWM Interrupt Enable (PWMINTEN)

Base 0x4002.8000  
 Offset 0x014  
 Type R/W, reset 0x0000.0000

|       |          |    |    |    |    |    |    |    |    |    |    |    |         |         |         |          |
|-------|----------|----|----|----|----|----|----|----|----|----|----|----|---------|---------|---------|----------|
|       | 31       | 30 | 29 | 28 | 27 | 26 | 25 | 24 | 23 | 22 | 21 | 20 | 19      | 18      | 17      | 16       |
|       | reserved |    |    |    |    |    |    |    |    |    |    |    |         |         |         | IntFault |
| Type  | RO       | RO | RO | RO | RO | RO | RO | RO | RO | RO | RO | RO | RO      | RO      | RO      | R/W      |
| Reset | 0        | 0  | 0  | 0  | 0  | 0  | 0  | 0  | 0  | 0  | 0  | 0  | 0       | 0       | 0       | 0        |
|       | 15       | 14 | 13 | 12 | 11 | 10 | 9  | 8  | 7  | 6  | 5  | 4  | 3       | 2       | 1       | 0        |
|       | reserved |    |    |    |    |    |    |    |    |    |    |    | IntPWM2 | IntPWM1 | IntPWM0 |          |
| Type  | RO       | RO | RO | RO | RO | RO | RO | RO | RO | RO | RO | RO | RO      | R/W     | R/W     | R/W      |
| Reset | 0        | 0  | 0  | 0  | 0  | 0  | 0  | 0  | 0  | 0  | 0  | 0  | 0       | 0       | 0       | 0        |

| Bit/Field | Name     | Type | Reset | Description   |
|-----------|----------|------|-------|---|
| 31:17     | reserved | RO   | 0x00  | Software should not rely on the value of a reserved bit. To provide compatibility with future products, the value of a reserved bit should be preserved across a read-modify-write operation. |
| 16        | IntFault | R/W  | 0     | Fault Interrupt Enable<br>When set, an interrupt occurs when the fault input is asserted.   |
| 15:3      | reserved | RO   | 0x00  | Software should not rely on the value of a reserved bit. To provide compatibility with future products, the value of a reserved bit should be preserved across a read-modify-write operation. |
| 2         | IntPWM2  | R/W  | 0     | PWM2 Interrupt Enable<br>When set, an interrupt occurs when the PWM generator 2 block asserts an interrupt.   |
| 1         | IntPWM1  | R/W  | 0     | PWM1 Interrupt Enable<br>When set, an interrupt occurs when the PWM generator 1 block asserts an interrupt.   |
| 0         | IntPWM0  | R/W  | 0     | PWM0 Interrupt Enable<br>When set, an interrupt occurs when the PWM generator 0 block asserts an interrupt.   |

## Register 7: PWM Raw Interrupt Status (PWMRIS), offset 0x018

This register provides the current set of interrupt sources that are asserted, regardless of whether they cause an interrupt to be asserted to the controller. The fault interrupt is latched on detection; it must be cleared through the **PWM Interrupt Status and Clear (PWMISC)** register (see page 436). The PWM generator interrupts simply reflect the status of the PWM generators; they are cleared via the interrupt status register in the PWM generator blocks. Bits set to 1 indicate the events that are active; zero bits indicate that the event in question is not active.

### PWM Raw Interrupt Status (PWMRIS)

Base 0x4002.8000  
Offset 0x018  
Type RO, reset 0x0000.0000

|       |          |    |    |    |    |    |    |    |    |    |    |    |         |         |         |          |
|-------|----------|----|----|----|----|----|----|----|----|----|----|----|---------|---------|---------|----------|
|       | 31       | 30 | 29 | 28 | 27 | 26 | 25 | 24 | 23 | 22 | 21 | 20 | 19      | 18      | 17      | 16       |
|       | reserved |    |    |    |    |    |    |    |    |    |    |    |         |         |         | IntFault |
| Type  | RO       | RO | RO | RO | RO | RO | RO | RO | RO | RO | RO | RO | RO      | RO      | RO      | RO       |
| Reset | 0        | 0  | 0  | 0  | 0  | 0  | 0  | 0  | 0  | 0  | 0  | 0  | 0       | 0       | 0       | 0        |
|       | 15       | 14 | 13 | 12 | 11 | 10 | 9  | 8  | 7  | 6  | 5  | 4  | 3       | 2       | 1       | 0        |
|       | reserved |    |    |    |    |    |    |    |    |    |    |    | IntPWM2 | IntPWM1 | IntPWM0 |          |
| Type  | RO       | RO | RO | RO | RO | RO | RO | RO | RO | RO | RO | RO | RO      | RO      | RO      | RO       |
| Reset | 0        | 0  | 0  | 0  | 0  | 0  | 0  | 0  | 0  | 0  | 0  | 0  | 0       | 0       | 0       | 0        |

| Bit/Field | Name     | Type | Reset | Description   |
|-----------|----------|------|-------|---|
| 31:17     | reserved | RO   | 0x00  | Software should not rely on the value of a reserved bit. To provide compatibility with future products, the value of a reserved bit should be preserved across a read-modify-write operation. |
| 16        | IntFault | RO   | 0     | Fault Interrupt Asserted<br>Indicates that the fault input is asserting.  |
| 15:3      | reserved | RO   | 0x00  | Software should not rely on the value of a reserved bit. To provide compatibility with future products, the value of a reserved bit should be preserved across a read-modify-write operation. |
| 2         | IntPWM2  | RO   | 0     | PWM2 Interrupt Asserted<br>Indicates that the PWM generator 2 block is asserting its interrupt.   |
| 1         | IntPWM1  | RO   | 0     | PWM1 Interrupt Asserted<br>Indicates that the PWM generator 1 block is asserting its interrupt.   |
| 0         | IntPWM0  | RO   | 0     | PWM0 Interrupt Asserted<br>Indicates that the PWM generator 0 block is asserting its interrupt.   |

### Register 8: PWM Interrupt Status and Clear (PWMISC), offset 0x01C

This register provides a summary of the interrupt status of the individual PWM generator blocks. A bit set to 1 indicates that the corresponding generator block is asserting an interrupt. The individual interrupt status registers in each block must be consulted to determine the reason for the interrupt, and used to clear the interrupt. For the fault interrupt, a write of 1 to that bit position clears the latched interrupt status.

#### PWM Interrupt Status and Clear (PWMISC)

Base 0x4002.8000  
 Offset 0x01C  
 Type R/W1C, reset 0x0000.0000

|       |          |    |    |    |    |    |    |    |    |    |    |    |         |         |         |          |
|-------|----------|----|----|----|----|----|----|----|----|----|----|----|---------|---------|---------|----------|
|       | 31       | 30 | 29 | 28 | 27 | 26 | 25 | 24 | 23 | 22 | 21 | 20 | 19      | 18      | 17      | 16       |
|       | reserved |    |    |    |    |    |    |    |    |    |    |    |         |         |         | IntFault |
| Type  | RO       | RO | RO | RO | RO | RO | RO | RO | RO | RO | RO | RO | RO      | RO      | RO      | R/W1C    |
| Reset | 0        | 0  | 0  | 0  | 0  | 0  | 0  | 0  | 0  | 0  | 0  | 0  | 0       | 0       | 0       | 0        |
|       | 15       | 14 | 13 | 12 | 11 | 10 | 9  | 8  | 7  | 6  | 5  | 4  | 3       | 2       | 1       | 0        |
|       | reserved |    |    |    |    |    |    |    |    |    |    |    | IntPWM2 | IntPWM1 | IntPWM0 |          |
| Type  | RO       | RO | RO | RO | RO | RO | RO | RO | RO | RO | RO | RO | RO      | RO      | RO      | RO       |
| Reset | 0        | 0  | 0  | 0  | 0  | 0  | 0  | 0  | 0  | 0  | 0  | 0  | 0       | 0       | 0       | 0        |

| Bit/Field | Name     | Type  | Reset | Description   |
|-----------|----------|-------|-------|---|
| 31:17     | reserved | RO    | 0x00  | Software should not rely on the value of a reserved bit. To provide compatibility with future products, the value of a reserved bit should be preserved across a read-modify-write operation. |
| 16        | IntFault | R/W1C | 0     | Fault Interrupt Asserted<br>Indicates that the fault input is asserting an interrupt.   |
| 15:3      | reserved | RO    | 0x00  | Software should not rely on the value of a reserved bit. To provide compatibility with future products, the value of a reserved bit should be preserved across a read-modify-write operation. |
| 2         | IntPWM2  | RO    | 0     | PWM2 Interrupt Status<br>Indicates if the PWM generator 2 block is asserting an interrupt.  |
| 1         | IntPWM1  | RO    | 0     | PWM1 Interrupt Status<br>Indicates if the PWM generator 1 block is asserting an interrupt.  |
| 0         | IntPWM0  | RO    | 0     | PWM0 Interrupt Status<br>Indicates if the PWM generator 0 block is asserting an interrupt.  |

**Register 9: PWM Status (PWMSTATUS), offset 0x020**

This register provides the status of the `FAULT` input signal.

**PWM Status (PWMSTATUS)**

Base 0x4002.8000

Offset 0x020

Type RO, reset 0x0000.0000

|       |          |    |    |    |    |    |    |    |    |    |    |    |    |    |    |    |
|-------|----------|----|----|----|----|----|----|----|----|----|----|----|----|----|----|----|
|       | 31       | 30 | 29 | 28 | 27 | 26 | 25 | 24 | 23 | 22 | 21 | 20 | 19 | 18 | 17 | 16 |
|       | reserved |    |    |    |    |    |    |    |    |    |    |    |    |    |    |    |
| Type  | RO       | RO | RO | RO | RO | RO | RO | RO | RO | RO | RO | RO | RO | RO | RO | RO |
| Reset | 0        | 0  | 0  | 0  | 0  | 0  | 0  | 0  | 0  | 0  | 0  | 0  | 0  | 0  | 0  | 0  |
|       | 15       | 14 | 13 | 12 | 11 | 10 | 9  | 8  | 7  | 6  | 5  | 4  | 3  | 2  | 1  | 0  |
|       | reserved |    |    |    |    |    |    |    |    |    |    |    |    |    |    |    |
| Type  | RO       | RO | RO | RO | RO | RO | RO | RO | RO | RO | RO | RO | RO | RO | RO | RO |
| Reset | 0        | 0  | 0  | 0  | 0  | 0  | 0  | 0  | 0  | 0  | 0  | 0  | 0  | 0  | 0  | 0  |

| Bit/Field | Name     | Type | Reset | Description   |
|-----------|----------|------|-------|---|
| 31:1      | reserved | RO   | 0x00  | Software should not rely on the value of a reserved bit. To provide compatibility with future products, the value of a reserved bit should be preserved across a read-modify-write operation. |
| 0         | Fault    | RO   | 0     | Fault Interrupt Status<br>When set, indicates the fault input is asserted.  |

**Register 10: PWM0 Control (PWM0CTL), offset 0x040**

**Register 11: PWM1 Control (PWM1CTL), offset 0x080**

**Register 12: PWM2 Control (PWM2CTL), offset 0x0C0**

These registers configure the PWM signal generation blocks (PWM0CTL controls the PWM generator 0 block, and so on). The Register Update mode, Debug mode, Counting mode, and Block Enable mode are all controlled via these registers. The blocks produce the PWM signals, which can be either two independent PWM signals (from the same counter), or a paired set of PWM signals with dead-band delays added.

The PWM0 block produces the PWM0 and PWM1 outputs, the PWM1 block produces the PWM2 and PWM3 outputs, and the PWM2 block produces the PWM4 and PWM5 outputs.

PWM0 Control (PWM0CTL)

Base 0x4002.8000  
 Offset 0x040  
 Type R/W, reset 0x0000.0000

|       |          |    |    |    |    |    |    |    |    |    |         |         |         |       |      |        |
|-------|----------|----|----|----|----|----|----|----|----|----|---------|---------|---------|-------|------|--------|
|       | 31       | 30 | 29 | 28 | 27 | 26 | 25 | 24 | 23 | 22 | 21      | 20      | 19      | 18    | 17   | 16     |
|       | reserved |    |    |    |    |    |    |    |    |    |         |         |         |       |      |        |
| Type  | RO       | RO | RO | RO | RO | RO | RO | RO | RO | RO | RO      | RO      | RO      | RO    | RO   | RO     |
| Reset | 0        | 0  | 0  | 0  | 0  | 0  | 0  | 0  | 0  | 0  | 0       | 0       | 0       | 0     | 0    | 0      |
|       | 15       | 14 | 13 | 12 | 11 | 10 | 9  | 8  | 7  | 6  | 5       | 4       | 3       | 2     | 1    | 0      |
|       | reserved |    |    |    |    |    |    |    |    |    | CmpBUpd | CmpAUpd | LoadUpd | Debug | Mode | Enable |
| Type  | RO       | RO | RO | RO | RO | RO | RO | RO | RO | RO | R/W     | R/W     | R/W     | R/W   | R/W  | R/W    |
| Reset | 0        | 0  | 0  | 0  | 0  | 0  | 0  | 0  | 0  | 0  | 0       | 0       | 0       | 0     | 0    | 0      |

| Bit/Field | Name     | Type | Reset | Description   |
|-----------|----------|------|-------|---|
| 31:6      | reserved | RO   | 0x00  | Software should not rely on the value of a reserved bit. To provide compatibility with future products, the value of a reserved bit should be preserved across a read-modify-write operation.   |
| 5         | CmpBUpd  | R/W  | 0     | Comparator B Update Mode<br>Same as CmpAUpd but for the comparator B register.  |
| 4         | CmpAUpd  | R/W  | 0     | Comparator A Update Mode<br>The Update mode for the comparator A register. When not set, updates to the register are reflected to the comparator the next time the counter is 0. When set, updates to the register are delayed until the next time the counter is 0 after a synchronous update has been requested through the <b>PWM Master Control (PWMCTL)</b> register (see page 429). |
| 3         | LoadUpd  | R/W  | 0     | Load Register Update Mode<br>The Update mode for the load register. When not set, updates to the register are reflected to the counter the next time the counter is 0. When set, updates to the register are delayed until the next time the counter is 0 after a synchronous update has been requested through the <b>PWM Master Control (PWMCTL)</b> register.                          |
| 2         | Debug    | R/W  | 0     | Debug Mode<br>The behavior of the counter in Debug mode. When not set, the counter stops running when it next reaches 0, and continues running again when no longer in Debug mode. When set, the counter always runs.   |

---

| Bit/Field | Name   | Type | Reset | Description   |
|-----------|--------|------|-------|---|
| 1         | Mode   | R/W  | 0     | <b>Counter Mode</b><br>The mode for the counter. When not set, the counter counts down from the load value to 0 and then wraps back to the load value (Count-Down mode). When set, the counter counts up from 0 to the load value, back down to 0, and then repeats (Count-Up/Down mode). |
| 0         | Enable | R/W  | 0     | <b>PWM Block Enable</b><br>Master enable for the PWM generation block. When not set, the entire block is disabled and not clocked. When set, the block is enabled and produces PWM signals.   |

**Register 13: PWM0 Interrupt Enable (PWM0INTEN), offset 0x044**

**Register 14: PWM1 Interrupt Enable (PWM1INTEN), offset 0x084**

**Register 15: PWM2 InterruptEnable (PWM2INTEN), offset 0x0C4**

These registers control the interrupt generation capabilities of the PWM generators (**PWM0INTEN** controls the PWM generator 0 block, and so on). The events that can cause an interrupt are:

- The counter being equal to the load register
- The counter being equal to zero
- The counter being equal to the comparator A register while counting up
- The counter being equal to the comparator A register while counting down
- The counter being equal to the comparator B register while counting up
- The counter being equal to the comparator B register while counting down

Any combination of these events can generate either an interrupt.

**PWM0 Interrupt Enable (PWM0INTEN)**

Base 0x4002.8000  
 Offset 0x044  
 Type R/W, reset 0x0000.0000

|       |          |    |    |    |    |    |    |    |    |    |     |          |          |          |          |            |            |
|-------|----------|----|----|----|----|----|----|----|----|----|-----|----------|----------|----------|----------|------------|------------|
|       | 31       | 30 | 29 | 28 | 27 | 26 | 25 | 24 | 23 | 22 | 21  | 20       | 19       | 18       | 17       | 16         |            |
|       | reserved |    |    |    |    |    |    |    |    |    |     |          |          |          |          |            |            |
| Type  | RO       | RO | RO | RO | RO | RO | RO | RO | RO | RO | RO  | RO       | RO       | RO       | RO       | RO         |            |
| Reset | 0        | 0  | 0  | 0  | 0  | 0  | 0  | 0  | 0  | 0  | 0   | 0        | 0        | 0        | 0        | 0          |            |
|       | 15       | 14 | 13 | 12 | 11 | 10 | 9  | 8  | 7  | 6  | 5   | 4        | 3        | 2        | 1        | 0          |            |
|       | reserved |    |    |    |    |    |    |    |    |    |     | IntCmpBD | IntCmpBU | IntCmpAD | IntCmpAU | IntCntLoad | IntCntZero |
| Type  | RO       | RO | RO | RO | RO | RO | RO | RO | RO | RO | R/W | R/W      | R/W      | R/W      | R/W      | R/W        |            |
| Reset | 0        | 0  | 0  | 0  | 0  | 0  | 0  | 0  | 0  | 0  | 0   | 0        | 0        | 0        | 0        | 0          |            |

| Bit/Field | Name     | Type | Reset | Description   |
|-----------|----------|------|-------|---|
| 31:6      | reserved | RO   | 0x00  | Software should not rely on the value of a reserved bit. To provide compatibility with future products, the value of a reserved bit should be preserved across a read-modify-write operation.                 |
| 5         | IntCmpBD | R/W  | 0     | Interrupt for Counter=Comparator B Down<br><br>Value Description<br>1 A raw interrupt occurs when the counter matches the value in the <b>PWMnCMPB</b> register value while counting down.<br>0 No interrupt. |
| 4         | IntCmpBU | R/W  | 0     | Interrupt for Counter=Comparator B Up<br><br>Value Description<br>1 A raw interrupt occurs when the counter matches the value in the <b>PWMnCMPB</b> register value while counting up.<br>0 No interrupt.     |

| Bit/Field | Name       | Type | Reset | Description   |
|-----------|------------|------|-------|---|
| 3         | IntCmpAD   | R/W  | 0     | Interrupt for Counter=Comparator A Down<br><br>Value Description<br>1 A raw interrupt occurs when the counter matches the value in the <b>PWMnCMPA</b> register value while counting down.<br>0 No interrupt. |
| 2         | IntCmpAU   | R/W  | 0     | Interrupt for Counter=Comparator A Up<br><br>Value Description<br>1 A raw interrupt occurs when the counter matches the value in the <b>PWMnCMPA</b> register value while counting up.<br>0 No interrupt.     |
| 1         | IntCntLoad | R/W  | 0     | Interrupt for Counter=Load<br><br>Value Description<br>1 A raw interrupt occurs when the counter matches the value in the <b>PWMnLOAD</b> register value.<br>0 No interrupt.                                  |
| 0         | IntCntZero | R/W  | 0     | Interrupt for Counter=0<br><br>Value Description<br>1 A raw interrupt occurs when the counter is zero.<br>0 No interrupt.   |

**Register 16: PWM0 Raw Interrupt Status (PWM0RIS), offset 0x048**

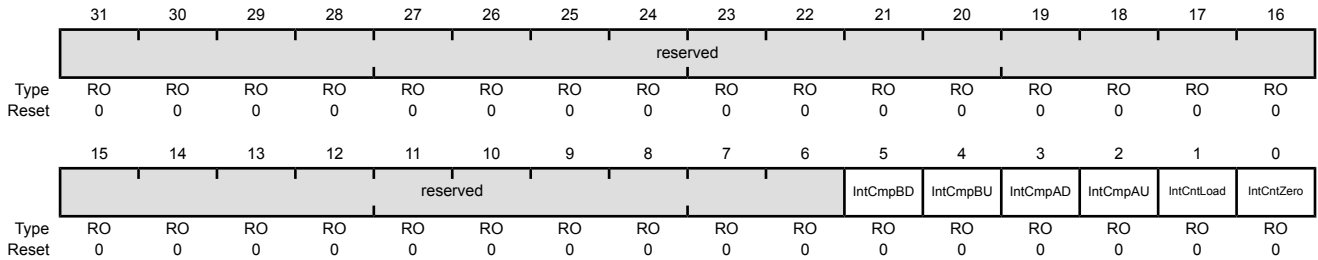
**Register 17: PWM1 Raw Interrupt Status (PWM1RIS), offset 0x088**

**Register 18: PWM2 Raw Interrupt Status (PWM2RIS), offset 0x0C8**

These registers provide the current set of interrupt sources that are asserted, regardless of whether they cause an interrupt to be asserted to the controller (**PWM0RIS** controls the PWM generator 0 block, and so on). Bits set to 1 indicate the latched events that have occurred; bits set to 0 indicate that the event in question has not occurred.

PWM0 Raw Interrupt Status (PWM0RIS)

Base 0x4002.8000  
 Offset 0x048  
 Type RO, reset 0x0000.0000



| Bit/Field | Name       | Type | Reset | Description   |
|-----------|------------|------|-------|---|
| 31:6      | reserved   | RO   | 0x00  | Software should not rely on the value of a reserved bit. To provide compatibility with future products, the value of a reserved bit should be preserved across a read-modify-write operation. |
| 5         | IntCmpBD   | RO   | 0     | Comparator B Down Interrupt Status<br>Indicates that the counter has matched the comparator B value while counting down.  |
| 4         | IntCmpBU   | RO   | 0     | Comparator B Up Interrupt Status<br>Indicates that the counter has matched the comparator B value while counting up.  |
| 3         | IntCmpAD   | RO   | 0     | Comparator A Down Interrupt Status<br>Indicates that the counter has matched the comparator A value while counting down.  |
| 2         | IntCmpAU   | RO   | 0     | Comparator A Up Interrupt Status<br>Indicates that the counter has matched the comparator A value while counting up.  |
| 1         | IntCntLoad | RO   | 0     | Counter=Load Interrupt Status<br>Indicates that the counter has matched the <b>PWMnLOAD</b> register.   |
| 0         | IntCntZero | RO   | 0     | Counter=0 Interrupt Status<br>Indicates that the counter has matched 0.   |

**Register 19: PWM0 Interrupt Status and Clear (PWM0ISC), offset 0x04C****Register 20: PWM1 Interrupt Status and Clear (PWM1ISC), offset 0x08C****Register 21: PWM2 Interrupt Status and Clear (PWM2ISC), offset 0x0CC**

These registers provide the current set of interrupt sources that are asserted to the controller (**PWM0ISC** controls the PWM generator 0 block, and so on). Bits set to 1 indicate the latched events that have occurred; bits set to 0 indicate that the event in question has not occurred. These are R/W1C registers; writing a 1 to a bit position clears the corresponding interrupt reason.

## PWM0 Interrupt Status and Clear (PWM0ISC)

Base 0x4002.8000

Offset 0x04C

Type R/W1C, reset 0x0000.0000

|       |          |    |    |    |    |    |    |    |    |    |    |          |          |          |          |            |            |
|-------|----------|----|----|----|----|----|----|----|----|----|----|----------|----------|----------|----------|------------|------------|
|       | 31       | 30 | 29 | 28 | 27 | 26 | 25 | 24 | 23 | 22 | 21 | 20       | 19       | 18       | 17       | 16         |            |
|       | reserved |    |    |    |    |    |    |    |    |    |    |          |          |          |          |            |            |
| Type  | RO       | RO | RO | RO | RO | RO | RO | RO | RO | RO | RO | RO       | RO       | RO       | RO       | RO         |            |
| Reset | 0        | 0  | 0  | 0  | 0  | 0  | 0  | 0  | 0  | 0  | 0  | 0        | 0        | 0        | 0        | 0          |            |
|       | 15       | 14 | 13 | 12 | 11 | 10 | 9  | 8  | 7  | 6  | 5  | 4        | 3        | 2        | 1        | 0          |            |
|       | reserved |    |    |    |    |    |    |    |    |    |    | IntCmpBD | IntCmpBU | IntCmpAD | IntCmpAU | IntCntLoad | IntCntZero |
| Type  | RO       | RO | RO | RO | RO | RO | RO | RO | RO | RO | RO | R/W1C    | R/W1C    | R/W1C    | R/W1C    | R/W1C      |            |
| Reset | 0        | 0  | 0  | 0  | 0  | 0  | 0  | 0  | 0  | 0  | 0  | 0        | 0        | 0        | 0        | 0          |            |

| Bit/Field | Name       | Type  | Reset | Description   |
|-----------|------------|-------|-------|---|
| 31:6      | reserved   | RO    | 0x00  | Software should not rely on the value of a reserved bit. To provide compatibility with future products, the value of a reserved bit should be preserved across a read-modify-write operation. |
| 5         | IntCmpBD   | R/W1C | 0     | Comparator B Down Interrupt<br>Indicates that the counter has matched the comparator B value while counting down.   |
| 4         | IntCmpBU   | R/W1C | 0     | Comparator B Up Interrupt<br>Indicates that the counter has matched the comparator B value while counting up.   |
| 3         | IntCmpAD   | R/W1C | 0     | Comparator A Down Interrupt<br>Indicates that the counter has matched the comparator A value while counting down.   |
| 2         | IntCmpAU   | R/W1C | 0     | Comparator A Up Interrupt<br>Indicates that the counter has matched the comparator A value while counting up.   |
| 1         | IntCntLoad | R/W1C | 0     | Counter=Load Interrupt<br>Indicates that the counter has matched the <b>PWMnLOAD</b> register.  |
| 0         | IntCntZero | R/W1C | 0     | Counter=0 Interrupt<br>Indicates that the counter has matched 0.  |

**Register 22: PWM0 Load (PWM0LOAD), offset 0x050**

**Register 23: PWM1 Load (PWM1LOAD), offset 0x090**

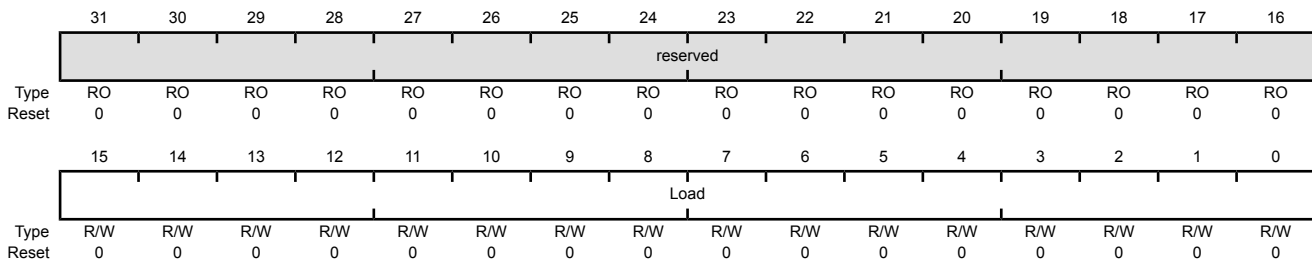
**Register 24: PWM2 Load (PWM2LOAD), offset 0x0D0**

These registers contain the load value for the PWM counter (**PWM0LOAD** controls the PWM generator 0 block, and so on). Based on the counter mode, either this value is loaded into the counter after it reaches zero, or it is the limit of up-counting after which the counter decrements back to zero.

If the Load Value Update mode is immediate, this value is used the next time the counter reaches zero; if the mode is synchronous, it is used the next time the counter reaches zero after a synchronous update has been requested through the **PWM Master Control (PWMCTL)** register (see page 429). If this register is re-written before the actual update occurs, the previous value is never used and is lost.

**PWM0 Load (PWM0LOAD)**

Base 0x4002.8000  
 Offset 0x050  
 Type R/W, reset 0x0000.0000



| Bit/Field | Name     | Type | Reset | Description   |
|-----------|----------|------|-------|---|
| 31:16     | reserved | RO   | 0x00  | Software should not rely on the value of a reserved bit. To provide compatibility with future products, the value of a reserved bit should be preserved across a read-modify-write operation. |
| 15:0      | Load     | R/W  | 0     | Counter Load Value<br>The counter load value.   |

**Register 25: PWM0 Counter (PWM0COUNT), offset 0x054****Register 26: PWM1 Counter (PWM1COUNT), offset 0x094****Register 27: PWM2 Counter (PWM2COUNT), offset 0x0D4**

These registers contain the current value of the PWM counter (**PWM0COUNT** is the value of the PWM generator 0 block, and so on). When this value matches the load register, a pulse is output; this can drive the generation of a PWM signal (via the **PWMnGENA/PWMnGENB** registers, see page 448 and page 451) or drive an interrupt (via the **PWMnINTEN** register, see page 440). A pulse with the same capabilities is generated when this value is zero.

## PWM0 Counter (PWM0COUNT)

Base 0x4002.8000

Offset 0x054

Type RO, reset 0x0000.0000

|       |          |    |    |    |    |    |    |    |    |    |    |    |    |    |    |    |
|-------|----------|----|----|----|----|----|----|----|----|----|----|----|----|----|----|----|
|       | 31       | 30 | 29 | 28 | 27 | 26 | 25 | 24 | 23 | 22 | 21 | 20 | 19 | 18 | 17 | 16 |
|       | reserved |    |    |    |    |    |    |    |    |    |    |    |    |    |    |    |
| Type  | RO       | RO | RO | RO | RO | RO | RO | RO | RO | RO | RO | RO | RO | RO | RO | RO |
| Reset | 0        | 0  | 0  | 0  | 0  | 0  | 0  | 0  | 0  | 0  | 0  | 0  | 0  | 0  | 0  | 0  |
|       | 15       | 14 | 13 | 12 | 11 | 10 | 9  | 8  | 7  | 6  | 5  | 4  | 3  | 2  | 1  | 0  |
|       | Count    |    |    |    |    |    |    |    |    |    |    |    |    |    |    |    |
| Type  | RO       | RO | RO | RO | RO | RO | RO | RO | RO | RO | RO | RO | RO | RO | RO | RO |
| Reset | 0        | 0  | 0  | 0  | 0  | 0  | 0  | 0  | 0  | 0  | 0  | 0  | 0  | 0  | 0  | 0  |

| Bit/Field | Name     | Type | Reset | Description   |
|-----------|----------|------|-------|---|
| 31:16     | reserved | RO   | 0x00  | Software should not rely on the value of a reserved bit. To provide compatibility with future products, the value of a reserved bit should be preserved across a read-modify-write operation. |
| 15:0      | Count    | RO   | 0x00  | Counter Value<br>The current value of the counter.  |

**Register 28: PWM0 Compare A (PWM0CMPA), offset 0x058**

**Register 29: PWM1 Compare A (PWM1CMPA), offset 0x098**

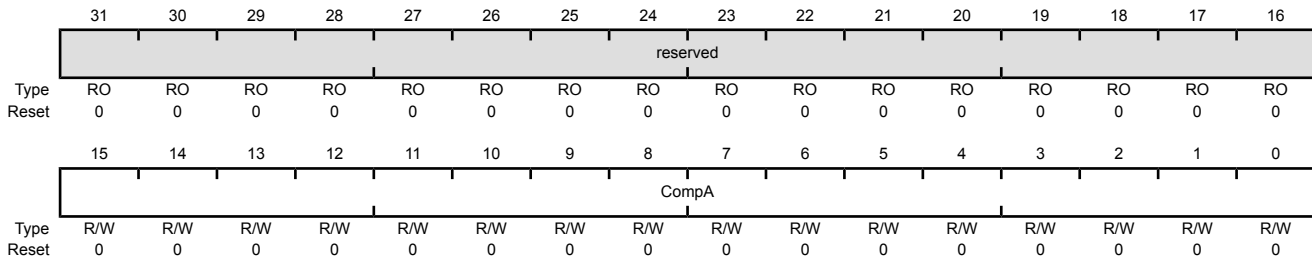
**Register 30: PWM2 Compare A (PWM2CMPA), offset 0x0D8**

These registers contain a value to be compared against the counter (**PWM0CMPA** controls the PWM generator 0 block, and so on). When this value matches the counter, a pulse is output; this can drive the generation of a PWM signal (via the **PWMnGENA/PWMnGENB** registers) or drive an interrupt (via the **PWMnINTEN** register). If the value of this register is greater than the **PWMnLOAD** register (see page 444), then no pulse is ever output.

If the comparator A update mode is immediate (based on the **CmpAUpd** bit in the **PWMnCTL** register), this 16-bit **CompA** value is used the next time the counter reaches zero. If the update mode is synchronous, it is used the next time the counter reaches zero after a synchronous update has been requested through the **PWM Master Control (PWMCTL)** register (see page 429). If this register is rewritten before the actual update occurs, the previous value is never used and is lost.

**PWM0 Compare A (PWM0CMPA)**

Base 0x4002.8000  
 Offset 0x058  
 Type R/W, reset 0x0000.0000



| Bit/Field | Name     | Type | Reset | Description   |
|-----------|----------|------|-------|---|
| 31:16     | reserved | RO   | 0x00  | Software should not rely on the value of a reserved bit. To provide compatibility with future products, the value of a reserved bit should be preserved across a read-modify-write operation. |
| 15:0      | CompA    | R/W  | 0x00  | Comparator A Value<br>The value to be compared against the counter.   |

**Register 31: PWM0 Compare B (PWM0CMPB), offset 0x05C****Register 32: PWM1 Compare B (PWM1CMPB), offset 0x09C****Register 33: PWM2 Compare B (PWM2CMPB), offset 0x0DC**

These registers contain a value to be compared against the counter (**PWM0CMPB** controls the PWM generator 0 block, and so on). When this value matches the counter, a pulse is output; this can drive the generation of a PWM signal (via the **PWMnGENA/PWMnGENB** registers) or drive an interrupt (via the **PWMnINTEN** register). If the value of this register is greater than the **PWMnLOAD** register, no pulse is ever output.

If the comparator B update mode is immediate (based on the **CmpBUpd** bit in the **PWMnCTL** register), this 16-bit **CompB** value is used the next time the counter reaches zero. If the update mode is synchronous, it is used the next time the counter reaches zero after a synchronous update has been requested through the **PWM Master Control (PWMCTL)** register (see page 429). If this register is rewritten before the actual update occurs, the previous value is never used and is lost.

**PWM0 Compare B (PWM0CMPB)**

Base 0x4002.8000  
Offset 0x05C  
Type R/W, reset 0x0000.0000

|       |          |     |     |     |     |     |     |     |     |     |     |     |     |     |     |     |
|-------|----------|-----|-----|-----|-----|-----|-----|-----|-----|-----|-----|-----|-----|-----|-----|-----|
|       | 31       | 30  | 29  | 28  | 27  | 26  | 25  | 24  | 23  | 22  | 21  | 20  | 19  | 18  | 17  | 16  |
|       | reserved |     |     |     |     |     |     |     |     |     |     |     |     |     |     |     |
| Type  | RO       | RO  | RO  | RO  | RO  | RO  | RO  | RO  | RO  | RO  | RO  | RO  | RO  | RO  | RO  | RO  |
| Reset | 0        | 0   | 0   | 0   | 0   | 0   | 0   | 0   | 0   | 0   | 0   | 0   | 0   | 0   | 0   | 0   |
|       | 15       | 14  | 13  | 12  | 11  | 10  | 9   | 8   | 7   | 6   | 5   | 4   | 3   | 2   | 1   | 0   |
|       | CompB    |     |     |     |     |     |     |     |     |     |     |     |     |     |     |     |
| Type  | R/W      | R/W | R/W | R/W | R/W | R/W | R/W | R/W | R/W | R/W | R/W | R/W | R/W | R/W | R/W | R/W |
| Reset | 0        | 0   | 0   | 0   | 0   | 0   | 0   | 0   | 0   | 0   | 0   | 0   | 0   | 0   | 0   | 0   |

| Bit/Field | Name     | Type | Reset | Description   |
|-----------|----------|------|-------|---|
| 31:16     | reserved | RO   | 0x00  | Software should not rely on the value of a reserved bit. To provide compatibility with future products, the value of a reserved bit should be preserved across a read-modify-write operation. |
| 15:0      | CompB    | R/W  | 0x00  | Comparator B Value<br>The value to be compared against the counter.   |

**Register 34: PWM0 Generator A Control (PWM0GENA), offset 0x060**

**Register 35: PWM1 Generator A Control (PWM1GENA), offset 0x0A0**

**Register 36: PWM2 Generator A Control (PWM2GENA), offset 0x0E0**

These registers control the generation of the  $PWM_nA$  signal based on the load and zero output pulses from the counter, as well as the compare A and compare B pulses from the comparators (**PWM0GENA** controls the PWM generator 0 block, and so on). When the counter is running in Count-Down mode, only four of these events occur; when running in Count-Up/Down mode, all six occur. These events provide great flexibility in the positioning and duty cycle of the PWM signal that is produced.

The **PWM0GENA** register controls generation of the  $PWM0A$  signal; **PWM1GENA**, the  $PWM1A$  signal; and **PWM2GENA**, the  $PWM2A$  signal.

If a zero or load event coincides with a compare A or compare B event, the zero or load action is taken and the compare A or compare B action is ignored. If a compare A event coincides with a compare B event, the compare A action is taken and the compare B action is ignored.

PWM0 Generator A Control (PWM0GENA)

Base 0x4002.8000  
 Offset 0x060  
 Type R/W, reset 0x0000.0000

|       |          |    |    |    |          |     |          |     |          |     |          |     |         |     |         |     |
|-------|----------|----|----|----|----------|-----|----------|-----|----------|-----|----------|-----|---------|-----|---------|-----|
|       | 31       | 30 | 29 | 28 | 27       | 26  | 25       | 24  | 23       | 22  | 21       | 20  | 19      | 18  | 17      | 16  |
|       | reserved |    |    |    |          |     |          |     |          |     |          |     |         |     |         |     |
| Type  | RO       | RO | RO | RO | RO       | RO  | RO       | RO  | RO       | RO  | RO       | RO  | RO      | RO  | RO      | RO  |
| Reset | 0        | 0  | 0  | 0  | 0        | 0   | 0        | 0   | 0        | 0   | 0        | 0   | 0       | 0   | 0       | 0   |
|       | 15       | 14 | 13 | 12 | 11       | 10  | 9        | 8   | 7        | 6   | 5        | 4   | 3       | 2   | 1       | 0   |
|       | reserved |    |    |    | ActCmpBD |     | ActCmpBU |     | ActCmpAD |     | ActCmpAU |     | ActLoad |     | ActZero |     |
| Type  | RO       | RO | RO | RO | R/W      | R/W | R/W      | R/W | R/W      | R/W | R/W      | R/W | R/W     | R/W | R/W     | R/W |
| Reset | 0        | 0  | 0  | 0  | 0        | 0   | 0        | 0   | 0        | 0   | 0        | 0   | 0       | 0   | 0       | 0   |

| Bit/Field | Name                        | Type | Reset | Description  |       |             |     |             |     |                           |     |                             |     |                             |
|-----------|-----------------------------|------|-------|--|-------|-------------|-----|-------------|-----|---------------------------|-----|-----------------------------|-----|-----------------------------|
| 31:12     | reserved                    | RO   | 0x00  | Software should not rely on the value of a reserved bit. To provide compatibility with future products, the value of a reserved bit should be preserved across a read-modify-write operation.  |       |             |     |             |     |                           |     |                             |     |                             |
| 11:10     | ActCmpBD                    | R/W  | 0x0   | <p>Action for Comparator B Down</p> <p>The action to be taken when the counter matches comparator B while counting down.</p> <p>The table below defines the effect of the event on the output signal.</p> <table border="1"> <thead> <tr> <th>Value</th> <th>Description</th> </tr> </thead> <tbody> <tr> <td>0x0</td> <td>Do nothing.</td> </tr> <tr> <td>0x1</td> <td>Invert the output signal.</td> </tr> <tr> <td>0x2</td> <td>Set the output signal to 0.</td> </tr> <tr> <td>0x3</td> <td>Set the output signal to 1.</td> </tr> </tbody> </table> | Value | Description | 0x0 | Do nothing. | 0x1 | Invert the output signal. | 0x2 | Set the output signal to 0. | 0x3 | Set the output signal to 1. |
| Value     | Description                 |      |       |  |       |             |     |             |     |                           |     |                             |     |                             |
| 0x0       | Do nothing.                 |      |       |  |       |             |     |             |     |                           |     |                             |     |                             |
| 0x1       | Invert the output signal.   |      |       |  |       |             |     |             |     |                           |     |                             |     |                             |
| 0x2       | Set the output signal to 0. |      |       |  |       |             |     |             |     |                           |     |                             |     |                             |
| 0x3       | Set the output signal to 1. |      |       |  |       |             |     |             |     |                           |     |                             |     |                             |

| Bit/Field | Name                        | Type | Reset | Description  |       |             |     |             |     |                           |     |                             |     |                             |
|-----------|-----------------------------|------|-------|--|-------|-------------|-----|-------------|-----|---------------------------|-----|-----------------------------|-----|-----------------------------|
| 9:8       | ActCmpBU                    | R/W  | 0x0   | <p>Action for Comparator B Up</p> <p>The action to be taken when the counter matches comparator B while counting up. Occurs only when the <code>Mode</code> bit in the <b>PWMnCTL</b> register (see page 438) is set to 1.</p> <p>The table below defines the effect of the event on the output signal.</p> <table border="1"> <thead> <tr> <th>Value</th> <th>Description</th> </tr> </thead> <tbody> <tr> <td>0x0</td> <td>Do nothing.</td> </tr> <tr> <td>0x1</td> <td>Invert the output signal.</td> </tr> <tr> <td>0x2</td> <td>Set the output signal to 0.</td> </tr> <tr> <td>0x3</td> <td>Set the output signal to 1.</td> </tr> </tbody> </table> | Value | Description | 0x0 | Do nothing. | 0x1 | Invert the output signal. | 0x2 | Set the output signal to 0. | 0x3 | Set the output signal to 1. |
| Value     | Description                 |      |       |  |       |             |     |             |     |                           |     |                             |     |                             |
| 0x0       | Do nothing.                 |      |       |  |       |             |     |             |     |                           |     |                             |     |                             |
| 0x1       | Invert the output signal.   |      |       |  |       |             |     |             |     |                           |     |                             |     |                             |
| 0x2       | Set the output signal to 0. |      |       |  |       |             |     |             |     |                           |     |                             |     |                             |
| 0x3       | Set the output signal to 1. |      |       |  |       |             |     |             |     |                           |     |                             |     |                             |
| 7:6       | ActCmpAD                    | R/W  | 0x0   | <p>Action for Comparator A Down</p> <p>The action to be taken when the counter matches comparator A while counting down.</p> <p>The table below defines the effect of the event on the output signal.</p> <table border="1"> <thead> <tr> <th>Value</th> <th>Description</th> </tr> </thead> <tbody> <tr> <td>0x0</td> <td>Do nothing.</td> </tr> <tr> <td>0x1</td> <td>Invert the output signal.</td> </tr> <tr> <td>0x2</td> <td>Set the output signal to 0.</td> </tr> <tr> <td>0x3</td> <td>Set the output signal to 1.</td> </tr> </tbody> </table>   | Value | Description | 0x0 | Do nothing. | 0x1 | Invert the output signal. | 0x2 | Set the output signal to 0. | 0x3 | Set the output signal to 1. |
| Value     | Description                 |      |       |  |       |             |     |             |     |                           |     |                             |     |                             |
| 0x0       | Do nothing.                 |      |       |  |       |             |     |             |     |                           |     |                             |     |                             |
| 0x1       | Invert the output signal.   |      |       |  |       |             |     |             |     |                           |     |                             |     |                             |
| 0x2       | Set the output signal to 0. |      |       |  |       |             |     |             |     |                           |     |                             |     |                             |
| 0x3       | Set the output signal to 1. |      |       |  |       |             |     |             |     |                           |     |                             |     |                             |
| 5:4       | ActCmpAU                    | R/W  | 0x0   | <p>Action for Comparator A Up</p> <p>The action to be taken when the counter matches comparator A while counting up. Occurs only when the <code>Mode</code> bit in the <b>PWMnCTL</b> register is set to 1.</p> <p>The table below defines the effect of the event on the output signal.</p> <table border="1"> <thead> <tr> <th>Value</th> <th>Description</th> </tr> </thead> <tbody> <tr> <td>0x0</td> <td>Do nothing.</td> </tr> <tr> <td>0x1</td> <td>Invert the output signal.</td> </tr> <tr> <td>0x2</td> <td>Set the output signal to 0.</td> </tr> <tr> <td>0x3</td> <td>Set the output signal to 1.</td> </tr> </tbody> </table>                | Value | Description | 0x0 | Do nothing. | 0x1 | Invert the output signal. | 0x2 | Set the output signal to 0. | 0x3 | Set the output signal to 1. |
| Value     | Description                 |      |       |  |       |             |     |             |     |                           |     |                             |     |                             |
| 0x0       | Do nothing.                 |      |       |  |       |             |     |             |     |                           |     |                             |     |                             |
| 0x1       | Invert the output signal.   |      |       |  |       |             |     |             |     |                           |     |                             |     |                             |
| 0x2       | Set the output signal to 0. |      |       |  |       |             |     |             |     |                           |     |                             |     |                             |
| 0x3       | Set the output signal to 1. |      |       |  |       |             |     |             |     |                           |     |                             |     |                             |
| 3:2       | ActLoad                     | R/W  | 0x0   | <p>Action for Counter=Load</p> <p>The action to be taken when the counter matches the load value.</p> <p>The table below defines the effect of the event on the output signal.</p> <table border="1"> <thead> <tr> <th>Value</th> <th>Description</th> </tr> </thead> <tbody> <tr> <td>0x0</td> <td>Do nothing.</td> </tr> <tr> <td>0x1</td> <td>Invert the output signal.</td> </tr> <tr> <td>0x2</td> <td>Set the output signal to 0.</td> </tr> <tr> <td>0x3</td> <td>Set the output signal to 1.</td> </tr> </tbody> </table>  | Value | Description | 0x0 | Do nothing. | 0x1 | Invert the output signal. | 0x2 | Set the output signal to 0. | 0x3 | Set the output signal to 1. |
| Value     | Description                 |      |       |  |       |             |     |             |     |                           |     |                             |     |                             |
| 0x0       | Do nothing.                 |      |       |  |       |             |     |             |     |                           |     |                             |     |                             |
| 0x1       | Invert the output signal.   |      |       |  |       |             |     |             |     |                           |     |                             |     |                             |
| 0x2       | Set the output signal to 0. |      |       |  |       |             |     |             |     |                           |     |                             |     |                             |
| 0x3       | Set the output signal to 1. |      |       |  |       |             |     |             |     |                           |     |                             |     |                             |

| Bit/Field | Name    | Type | Reset | Description  |
|-----------|---------|------|-------|--|
| 1:0       | ActZero | R/W  | 0x0   | Action for Counter=0<br>The action to be taken when the counter is zero.<br>The table below defines the effect of the event on the output signal.<br><br>Value Description<br>0x0 Do nothing.<br>0x1 Invert the output signal.<br>0x2 Set the output signal to 0.<br>0x3 Set the output signal to 1. |

**Register 37: PWM0 Generator B Control (PWM0GENB), offset 0x064**

**Register 38: PWM1 Generator B Control (PWM1GENB), offset 0x0A4**

**Register 39: PWM2 Generator B Control (PWM2GENB), offset 0x0E4**

These registers control the generation of the  $PWM_nB$  signal based on the load and zero output pulses from the counter, as well as the compare A and compare B pulses from the comparators (**PWM0GENB** controls the PWM generator 0 block, and so on). When the counter is running in Down mode, only four of these events occur; when running in Up/Down mode, all six occur. These events provide great flexibility in the positioning and duty cycle of the PWM signal that is produced.

The **PWM0GENB** register controls generation of the  $PWM0B$  signal; **PWM1GENB**, the  $PWM1B$  signal; and **PWM2GENB**, the  $PWM2B$  signal.

If a zero or load event coincides with a compare A or compare B event, the zero or load action is taken and the compare A or compare B action is ignored. If a compare A event coincides with a compare B event, the compare B action is taken and the compare A action is ignored.

**PWM0 Generator B Control (PWM0GENB)**

Base 0x4002.8000  
 Offset 0x064  
 Type R/W, reset 0x0000.0000

|       |          |    |    |    |          |     |          |     |          |     |          |     |         |     |         |     |
|-------|----------|----|----|----|----------|-----|----------|-----|----------|-----|----------|-----|---------|-----|---------|-----|
|       | 31       | 30 | 29 | 28 | 27       | 26  | 25       | 24  | 23       | 22  | 21       | 20  | 19      | 18  | 17      | 16  |
|       | reserved |    |    |    |          |     |          |     |          |     |          |     |         |     |         |     |
| Type  | RO       | RO | RO | RO | RO       | RO  | RO       | RO  | RO       | RO  | RO       | RO  | RO      | RO  | RO      | RO  |
| Reset | 0        | 0  | 0  | 0  | 0        | 0   | 0        | 0   | 0        | 0   | 0        | 0   | 0       | 0   | 0       | 0   |
|       | 15       | 14 | 13 | 12 | 11       | 10  | 9        | 8   | 7        | 6   | 5        | 4   | 3       | 2   | 1       | 0   |
|       | reserved |    |    |    | ActCmpBD |     | ActCmpBU |     | ActCmpAD |     | ActCmpAU |     | ActLoad |     | ActZero |     |
| Type  | RO       | RO | RO | RO | R/W      | R/W | R/W      | R/W | R/W      | R/W | R/W      | R/W | R/W     | R/W | R/W     | R/W |
| Reset | 0        | 0  | 0  | 0  | 0        | 0   | 0        | 0   | 0        | 0   | 0        | 0   | 0       | 0   | 0       | 0   |

| Bit/Field | Name     | Type | Reset | Description   |
|-----------|----------|------|-------|---|
| 31:12     | reserved | RO   | 0x00  | Software should not rely on the value of a reserved bit. To provide compatibility with future products, the value of a reserved bit should be preserved across a read-modify-write operation. |
| 11:10     | ActCmpBD | R/W  | 0x0   | Action for Comparator B Down<br>The action to be taken when the counter matches comparator B while counting down.<br>The table below defines the effect of the event on the output signal.    |
|           |          |      |       | Value Description   |
|           |          |      |       | 0x0 Do nothing.   |
|           |          |      |       | 0x1 Invert the output signal.   |
|           |          |      |       | 0x2 Set the output signal to 0.   |
|           |          |      |       | 0x3 Set the output signal to 1.   |

| Bit/Field | Name                        | Type | Reset | Description   |       |             |     |             |     |                           |     |                             |     |                             |
|-----------|-----------------------------|------|-------|---|-------|-------------|-----|-------------|-----|---------------------------|-----|-----------------------------|-----|-----------------------------|
| 9:8       | ActCmpBU                    | R/W  | 0x0   | <p>Action for Comparator B Up</p> <p>The action to be taken when the counter matches comparator B while counting up. Occurs only when the <code>Mode</code> bit in the <b>PWMnCTL</b> register is set to 1.</p> <p>The table below defines the effect of the event on the output signal.</p> <table border="1"> <thead> <tr> <th>Value</th> <th>Description</th> </tr> </thead> <tbody> <tr> <td>0x0</td> <td>Do nothing.</td> </tr> <tr> <td>0x1</td> <td>Invert the output signal.</td> </tr> <tr> <td>0x2</td> <td>Set the output signal to 0.</td> </tr> <tr> <td>0x3</td> <td>Set the output signal to 1.</td> </tr> </tbody> </table> | Value | Description | 0x0 | Do nothing. | 0x1 | Invert the output signal. | 0x2 | Set the output signal to 0. | 0x3 | Set the output signal to 1. |
| Value     | Description                 |      |       |   |       |             |     |             |     |                           |     |                             |     |                             |
| 0x0       | Do nothing.                 |      |       |   |       |             |     |             |     |                           |     |                             |     |                             |
| 0x1       | Invert the output signal.   |      |       |   |       |             |     |             |     |                           |     |                             |     |                             |
| 0x2       | Set the output signal to 0. |      |       |   |       |             |     |             |     |                           |     |                             |     |                             |
| 0x3       | Set the output signal to 1. |      |       |   |       |             |     |             |     |                           |     |                             |     |                             |
| 7:6       | ActCmpAD                    | R/W  | 0x0   | <p>Action for Comparator A Down</p> <p>The action to be taken when the counter matches comparator A while counting down.</p> <p>The table below defines the effect of the event on the output signal.</p> <table border="1"> <thead> <tr> <th>Value</th> <th>Description</th> </tr> </thead> <tbody> <tr> <td>0x0</td> <td>Do nothing.</td> </tr> <tr> <td>0x1</td> <td>Invert the output signal.</td> </tr> <tr> <td>0x2</td> <td>Set the output signal to 0.</td> </tr> <tr> <td>0x3</td> <td>Set the output signal to 1.</td> </tr> </tbody> </table>  | Value | Description | 0x0 | Do nothing. | 0x1 | Invert the output signal. | 0x2 | Set the output signal to 0. | 0x3 | Set the output signal to 1. |
| Value     | Description                 |      |       |   |       |             |     |             |     |                           |     |                             |     |                             |
| 0x0       | Do nothing.                 |      |       |   |       |             |     |             |     |                           |     |                             |     |                             |
| 0x1       | Invert the output signal.   |      |       |   |       |             |     |             |     |                           |     |                             |     |                             |
| 0x2       | Set the output signal to 0. |      |       |   |       |             |     |             |     |                           |     |                             |     |                             |
| 0x3       | Set the output signal to 1. |      |       |   |       |             |     |             |     |                           |     |                             |     |                             |
| 5:4       | ActCmpAU                    | R/W  | 0x0   | <p>Action for Comparator A Up</p> <p>The action to be taken when the counter matches comparator A while counting up. Occurs only when the <code>Mode</code> bit in the <b>PWMnCTL</b> register is set to 1.</p> <p>The table below defines the effect of the event on the output signal.</p> <table border="1"> <thead> <tr> <th>Value</th> <th>Description</th> </tr> </thead> <tbody> <tr> <td>0x0</td> <td>Do nothing.</td> </tr> <tr> <td>0x1</td> <td>Invert the output signal.</td> </tr> <tr> <td>0x2</td> <td>Set the output signal to 0.</td> </tr> <tr> <td>0x3</td> <td>Set the output signal to 1.</td> </tr> </tbody> </table> | Value | Description | 0x0 | Do nothing. | 0x1 | Invert the output signal. | 0x2 | Set the output signal to 0. | 0x3 | Set the output signal to 1. |
| Value     | Description                 |      |       |   |       |             |     |             |     |                           |     |                             |     |                             |
| 0x0       | Do nothing.                 |      |       |   |       |             |     |             |     |                           |     |                             |     |                             |
| 0x1       | Invert the output signal.   |      |       |   |       |             |     |             |     |                           |     |                             |     |                             |
| 0x2       | Set the output signal to 0. |      |       |   |       |             |     |             |     |                           |     |                             |     |                             |
| 0x3       | Set the output signal to 1. |      |       |   |       |             |     |             |     |                           |     |                             |     |                             |
| 3:2       | ActLoad                     | R/W  | 0x0   | <p>Action for Counter=Load</p> <p>The action to be taken when the counter matches the load value.</p> <p>The table below defines the effect of the event on the output signal.</p> <table border="1"> <thead> <tr> <th>Value</th> <th>Description</th> </tr> </thead> <tbody> <tr> <td>0x0</td> <td>Do nothing.</td> </tr> <tr> <td>0x1</td> <td>Invert the output signal.</td> </tr> <tr> <td>0x2</td> <td>Set the output signal to 0.</td> </tr> <tr> <td>0x3</td> <td>Set the output signal to 1.</td> </tr> </tbody> </table>   | Value | Description | 0x0 | Do nothing. | 0x1 | Invert the output signal. | 0x2 | Set the output signal to 0. | 0x3 | Set the output signal to 1. |
| Value     | Description                 |      |       |   |       |             |     |             |     |                           |     |                             |     |                             |
| 0x0       | Do nothing.                 |      |       |   |       |             |     |             |     |                           |     |                             |     |                             |
| 0x1       | Invert the output signal.   |      |       |   |       |             |     |             |     |                           |     |                             |     |                             |
| 0x2       | Set the output signal to 0. |      |       |   |       |             |     |             |     |                           |     |                             |     |                             |
| 0x3       | Set the output signal to 1. |      |       |   |       |             |     |             |     |                           |     |                             |     |                             |

---

| Bit/Field | Name    | Type | Reset | Description   |
|-----------|---------|------|-------|---|
| 1:0       | ActZero | R/W  | 0x0   | Action for Counter=0<br>The action to be taken when the counter is 0.<br>The table below defines the effect of the event on the output signal.<br><br>Value Description<br>0x0 Do nothing.<br>0x1 Invert the output signal.<br>0x2 Set the output signal to 0.<br>0x3 Set the output signal to 1. |

**Register 40: PWM0 Dead-Band Control (PWM0DBCTL), offset 0x068**

**Register 41: PWM1 Dead-Band Control (PWM1DBCTL), offset 0x0A8**

**Register 42: PWM2 Dead-Band Control (PWM2DBCTL), offset 0x0E8**

The **PWM0DBCTL** register controls the dead-band generator, which produces the **PWM0** and **PWM1** signals based on the **PWM0A** and **PWM0B** signals. When disabled, the **PWM0A** signal passes through to the **PWM0** signal and the **PWM0B** signal passes through to the **PWM1** signal. When enabled and inverting the resulting waveform, the **PWM0B** signal is ignored; the **PWM0** signal is generated by delaying the rising edge(s) of the **PWM0A** signal by the value in the **PWM0DBRISE** register (see page 455), and the **PWM1** signal is generated by delaying the falling edge(s) of the **PWM0A** signal by the value in the **PWM0DBFALL** register (see page 456). In a similar manner, **PWM2** and **PWM3** are produced from the **PWM1A** and **PWM1B** signals, and **PWM4** and **PWM5** are produced from the **PWM2A** and **PWM2B** signals.

PWM0 Dead-Band Control (PWM0DBCTL)

Base 0x4002.8000  
 Offset 0x068  
 Type R/W, reset 0x0000.0000

|       |          |    |    |    |    |    |    |    |    |    |    |    |    |    |    |        |
|-------|----------|----|----|----|----|----|----|----|----|----|----|----|----|----|----|--------|
|       | 31       | 30 | 29 | 28 | 27 | 26 | 25 | 24 | 23 | 22 | 21 | 20 | 19 | 18 | 17 | 16     |
|       | reserved |    |    |    |    |    |    |    |    |    |    |    |    |    |    |        |
| Type  | RO       | RO | RO | RO | RO | RO | RO | RO | RO | RO | RO | RO | RO | RO | RO | RO     |
| Reset | 0        | 0  | 0  | 0  | 0  | 0  | 0  | 0  | 0  | 0  | 0  | 0  | 0  | 0  | 0  | 0      |
|       | 15       | 14 | 13 | 12 | 11 | 10 | 9  | 8  | 7  | 6  | 5  | 4  | 3  | 2  | 1  | 0      |
|       | reserved |    |    |    |    |    |    |    |    |    |    |    |    |    |    | Enable |
| Type  | RO       | RO | RO | RO | RO | RO | RO | RO | RO | RO | RO | RO | RO | RO | RO | R/W    |
| Reset | 0        | 0  | 0  | 0  | 0  | 0  | 0  | 0  | 0  | 0  | 0  | 0  | 0  | 0  | 0  | 0      |

| Bit/Field | Name     | Type | Reset | Description   |
|-----------|----------|------|-------|---|
| 31:1      | reserved | RO   | 0x00  | Software should not rely on the value of a reserved bit. To provide compatibility with future products, the value of a reserved bit should be preserved across a read-modify-write operation. |
| 0         | Enable   | R/W  | 0     | Dead-Band Generator Enable<br>When set, the dead-band generator inserts dead bands into the output signals; when clear, it simply passes the PWM signals through.                             |

**Register 43: PWM0 Dead-Band Rising-Edge Delay (PWM0DBRISE), offset 0x06C****Register 44: PWM1 Dead-Band Rising-Edge Delay (PWM1DBRISE), offset 0x0AC****Register 45: PWM2 Dead-Band Rising-Edge Delay (PWM2DBRISE), offset 0x0EC**

The **PWM0DBRISE** register contains the number of clock ticks to delay the rising edge of the  $PWM0A$  signal when generating the  $PWM0$  signal. If the dead-band generator is disabled through the **PWMnDBCTL** register, the **PWM0DBRISE** register is ignored. If the value of this register is larger than the width of a High pulse on the input PWM signal, the rising-edge delay consumes the entire High time of the signal, resulting in no High time on the output. Care must be taken to ensure that the input High time always exceeds the rising-edge delay. In a similar manner,  $PWM2$  is generated from  $PWM1A$  with its rising edge delayed and  $PWM4$  is produced from  $PWM2A$  with its rising edge delayed.

**PWM0 Dead-Band Rising-Edge Delay (PWM0DBRISE)**

Base 0x4002.8000  
Offset 0x06C  
Type R/W, reset 0x0000.0000

|       |          |    |    |    |           |     |     |     |     |     |     |     |     |     |     |     |
|-------|----------|----|----|----|-----------|-----|-----|-----|-----|-----|-----|-----|-----|-----|-----|-----|
|       | 31       | 30 | 29 | 28 | 27        | 26  | 25  | 24  | 23  | 22  | 21  | 20  | 19  | 18  | 17  | 16  |
|       | reserved |    |    |    |           |     |     |     |     |     |     |     |     |     |     |     |
| Type  | RO       | RO | RO | RO | RO        | RO  | RO  | RO  | RO  | RO  | RO  | RO  | RO  | RO  | RO  | RO  |
| Reset | 0        | 0  | 0  | 0  | 0         | 0   | 0   | 0   | 0   | 0   | 0   | 0   | 0   | 0   | 0   | 0   |
|       | 15       | 14 | 13 | 12 | 11        | 10  | 9   | 8   | 7   | 6   | 5   | 4   | 3   | 2   | 1   | 0   |
|       | reserved |    |    |    | RiseDelay |     |     |     |     |     |     |     |     |     |     |     |
| Type  | RO       | RO | RO | RO | R/W       | R/W | R/W | R/W | R/W | R/W | R/W | R/W | R/W | R/W | R/W | R/W |
| Reset | 0        | 0  | 0  | 0  | 0         | 0   | 0   | 0   | 0   | 0   | 0   | 0   | 0   | 0   | 0   | 0   |

| Bit/Field | Name      | Type | Reset | Description   |
|-----------|-----------|------|-------|---|
| 31:12     | reserved  | RO   | 0x00  | Software should not rely on the value of a reserved bit. To provide compatibility with future products, the value of a reserved bit should be preserved across a read-modify-write operation. |
| 11:0      | RiseDelay | R/W  | 0     | Dead-Band Rise Delay<br>The number of clock ticks to delay the rising edge.   |

**Register 46: PWM0 Dead-Band Falling-Edge-Delay (PWM0DBFALL), offset 0x070**

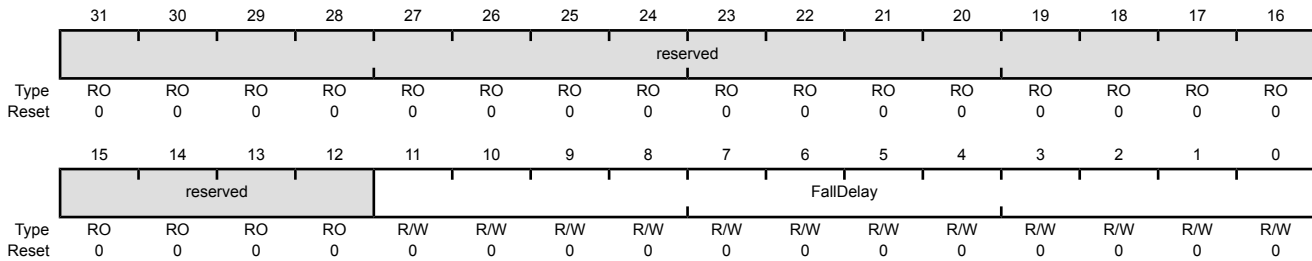
**Register 47: PWM1 Dead-Band Falling-Edge-Delay (PWM1DBFALL), offset 0x0B0**

**Register 48: PWM2 Dead-Band Falling-Edge-Delay (PWM2DBFALL), offset 0x0F0**

The **PWM0DBFALL** register contains the number of clock ticks to delay the falling edge of the **PWM0A** signal when generating the **PWM1** signal. If the dead-band generator is disabled, this register is ignored. If the value of this register is larger than the width of a Low pulse on the input PWM signal, the falling-edge delay consumes the entire Low time of the signal, resulting in no Low time on the output. Care must be taken to ensure that the input Low time always exceeds the falling-edge delay. In a similar manner, **PWM3** is generated from **PWM1A** with its falling edge delayed and **PWM5** is produced from **PWM2A** with its falling edge delayed.

**PWM0 Dead-Band Falling-Edge-Delay (PWM0DBFALL)**

Base 0x4002.8000  
 Offset 0x070  
 Type R/W, reset 0x0000.0000



| Bit/Field | Name      | Type | Reset | Description   |
|-----------|-----------|------|-------|---|
| 31:12     | reserved  | RO   | 0x00  | Software should not rely on the value of a reserved bit. To provide compatibility with future products, the value of a reserved bit should be preserved across a read-modify-write operation. |
| 11:0      | FallDelay | R/W  | 0x00  | Dead-Band Fall Delay<br>The number of clock ticks to delay the falling edge.  |

## 14 Pin Diagram

The LM3S310 microcontroller pin diagrams are shown below.

Figure 14-1. 48-Pin QFP Package Pin Diagram

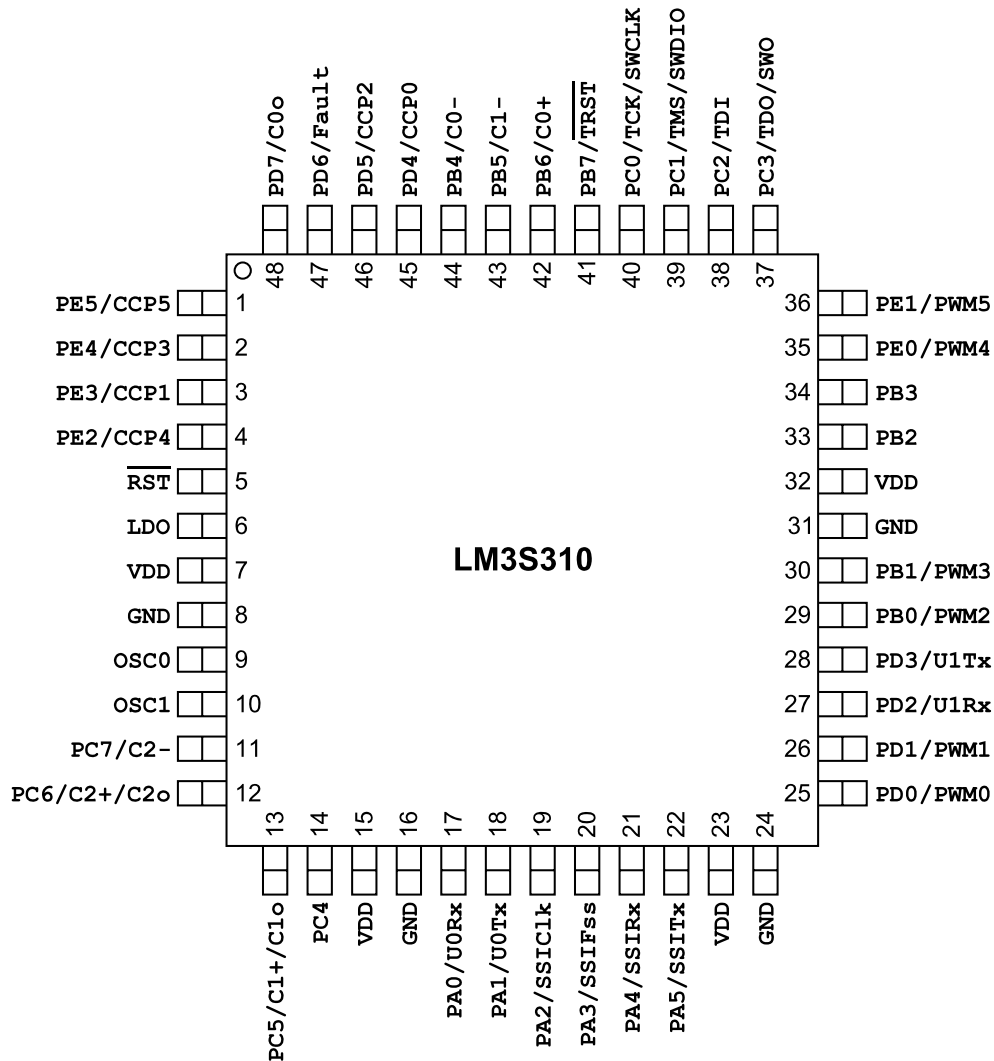
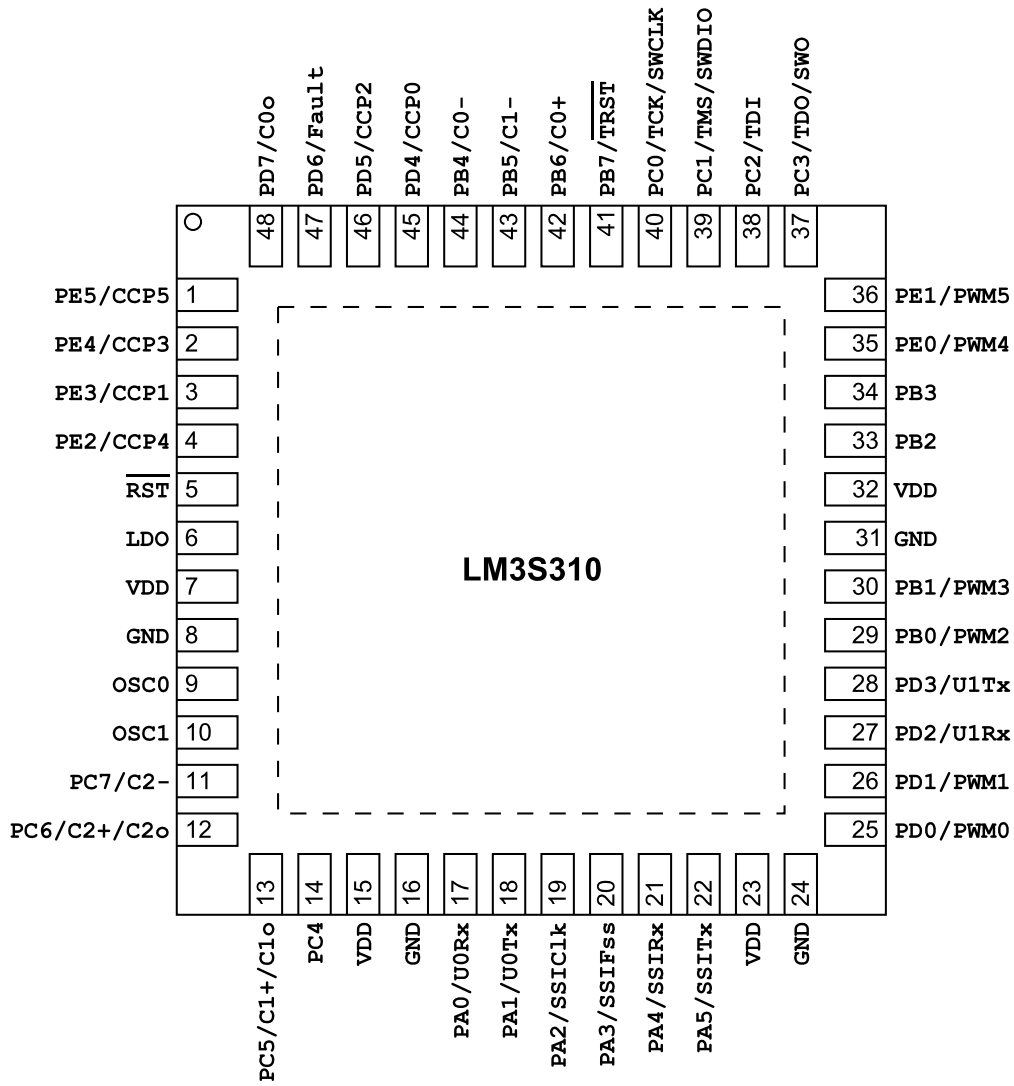


Figure 14-2. 48-Pin QFN Package Pin Diagram<sup>1</sup>



<sup>1</sup>The thermal pad must be connected to GND.

## 15 Signal Tables

The following tables list the signals available for each pin. Functionality is enabled by software with the **GPIOAFSEL** register.

**Important:** All multiplexed pins are GPIOs by default, with the exception of the five JTAG pins ( $PB7$  and  $PC[3:0]$ ) which default to the JTAG functionality.

Table 15-1 on page 459 shows the pin-to-signal-name mapping, including functional characteristics of the signals. Table 15-2 on page 461 lists the signals in alphabetical order by signal name.

Table 15-3 on page 464 groups the signals by functionality, except for GPIOs. Table 15-4 on page 465 lists the GPIO pins and their alternate functionality.

**Note:** All digital inputs are Schmitt triggered.

**Table 15-1. Signals by Pin Number**

| Pin Number | Pin Name | Pin Type | Buffer Type <sup>a</sup> | Description   |
|------------|----------|----------|--------------------------|---|
| 1          | PE5      | I/O      | TTL                      | GPIO port E bit 5.  |
|            | CCP5     | I/O      | TTL                      | Capture/Compare/PWM 5.  |
| 2          | PE4      | I/O      | TTL                      | GPIO port E bit 4.  |
|            | CCP3     | I/O      | TTL                      | Capture/Compare/PWM 3.  |
| 3          | PE3      | I/O      | TTL                      | GPIO port E bit 3.  |
|            | CCP1     | I/O      | TTL                      | Capture/Compare/PWM 1.  |
| 4          | PE2      | I/O      | TTL                      | GPIO port E bit 2.  |
|            | CCP4     | I/O      | TTL                      | Capture/Compare/PWM 4.  |
| 5          | RST      | I        | TTL                      | System reset input.   |
| 6          | LDO      | -        | Power                    | Low drop-out regulator output voltage. This pin requires an external capacitor between the pin and GND of 1 $\mu$ F or greater. |
| 7          | VDD      | -        | Power                    | Positive supply for I/O and some logic.   |
| 8          | GND      | -        | Power                    | Ground reference for logic and I/O pins.  |
| 9          | OSC0     | I        | Analog                   | Main oscillator crystal input or an external clock reference input.   |
| 10         | OSC1     | O        | Analog                   | Main oscillator crystal output. Leave unconnected when using a single-ended clock source.                                       |
| 11         | PC7      | I/O      | TTL                      | GPIO port C bit 7.  |
|            | C2-      | I        | Analog                   | Analog comparator 2 negative input.   |
| 12         | PC6      | I/O      | TTL                      | GPIO port C bit 6.  |
|            | C2+      | I        | Analog                   | Analog comparator 2 positive input.   |
|            | C2o      | O        | TTL                      | Analog comparator 2 output.   |
| 13         | PC5      | I/O      | TTL                      | GPIO port C bit 5.  |
|            | C1+      | I        | Analog                   | Analog comparator 1 positive input.   |
|            | C1o      | O        | TTL                      | Analog comparator 1 output.   |
| 14         | PC4      | I/O      | TTL                      | GPIO port C bit 4.  |
| 15         | VDD      | -        | Power                    | Positive supply for I/O and some logic.   |
| 16         | GND      | -        | Power                    | Ground reference for logic and I/O pins.  |
| 17         | PA0      | I/O      | TTL                      | GPIO port A bit 0.  |
|            | U0Rx     | I        | TTL                      | UART module 0 receive.  |

Table 15-1. Signals by Pin Number (continued)

| Pin Number | Pin Name | Pin Type | Buffer Type <sup>a</sup> | Description  |
|------------|----------|----------|--------------------------|--|
| 18         | PA1      | I/O      | TTL                      | GPIO port A bit 1.                                   |
|            | U0Tx     | O        | TTL                      | UART module 0 transmit.                              |
| 19         | PA2      | I/O      | TTL                      | GPIO port A bit 2.                                   |
|            | SSIClk   | I/O      | TTL                      | SSI clock.   |
| 20         | PA3      | I/O      | TTL                      | GPIO port A bit 3.                                   |
|            | SSIFss   | I/O      | TTL                      | SSI frame.   |
| 21         | PA4      | I/O      | TTL                      | GPIO port A bit 4.                                   |
|            | SSIRx    | I        | TTL                      | SSI receive.   |
| 22         | PA5      | I/O      | TTL                      | GPIO port A bit 5.                                   |
|            | SSITx    | O        | TTL                      | SSI transmit.  |
| 23         | VDD      | -        | Power                    | Positive supply for I/O and some logic.              |
| 24         | GND      | -        | Power                    | Ground reference for logic and I/O pins.             |
| 25         | PD0      | I/O      | TTL                      | GPIO port D bit 0.                                   |
|            | PWM0     | O        | TTL                      | PWM 0. This signal is controlled by PWM Generator 0. |
| 26         | PD1      | I/O      | TTL                      | GPIO port D bit 1.                                   |
|            | PWM1     | O        | TTL                      | PWM 1. This signal is controlled by PWM Generator 0. |
| 27         | PD2      | I/O      | TTL                      | GPIO port D bit 2.                                   |
|            | U1Rx     | I        | TTL                      | UART module 1 receive.                               |
| 28         | PD3      | I/O      | TTL                      | GPIO port D bit 3.                                   |
|            | U1Tx     | O        | TTL                      | UART module 1 transmit.                              |
| 29         | PB0      | I/O      | TTL                      | GPIO port B bit 0.                                   |
|            | PWM2     | O        | TTL                      | PWM 2. This signal is controlled by PWM Generator 1. |
| 30         | PB1      | I/O      | TTL                      | GPIO port B bit 1.                                   |
|            | PWM3     | O        | TTL                      | PWM 3. This signal is controlled by PWM Generator 1. |
| 31         | GND      | -        | Power                    | Ground reference for logic and I/O pins.             |
| 32         | VDD      | -        | Power                    | Positive supply for I/O and some logic.              |
| 33         | PB2      | I/O      | TTL                      | GPIO port B bit 2.                                   |
| 34         | PB3      | I/O      | TTL                      | GPIO port B bit 3.                                   |
| 35         | PE0      | I/O      | TTL                      | GPIO port E bit 0.                                   |
|            | PWM4     | O        | TTL                      | PWM 4. This signal is controlled by PWM Generator 2. |
| 36         | PE1      | I/O      | TTL                      | GPIO port E bit 1.                                   |
|            | PWM5     | O        | TTL                      | PWM 5. This signal is controlled by PWM Generator 2. |
| 37         | PC3      | I/O      | TTL                      | GPIO port C bit 3.                                   |
|            | SWO      | O        | TTL                      | JTAG TDO and SWO.                                    |
|            | TDO      | O        | TTL                      | JTAG TDO and SWO.                                    |
| 38         | PC2      | I/O      | TTL                      | GPIO port C bit 2.                                   |
|            | TDI      | I        | TTL                      | JTAG TDI.  |
| 39         | PC1      | I/O      | TTL                      | GPIO port C bit 1.                                   |
|            | SWDIO    | I/O      | TTL                      | JTAG TMS and SWDIO.                                  |
|            | TMS      | I/O      | TTL                      | JTAG TMS and SWDIO.                                  |

Table 15-1. Signals by Pin Number (continued)

| Pin Number | Pin Name                 | Pin Type | Buffer Type <sup>a</sup> | Description                         |
|------------|--------------------------|----------|--------------------------|-------------------------------------|
| 40         | PC0                      | I/O      | TTL                      | GPIO port C bit 0.                  |
|            | SWCLK                    | I        | TTL                      | JTAG/SWD CLK.                       |
|            | TCK                      | I        | TTL                      | JTAG/SWD CLK.                       |
| 41         | PB7                      | I/O      | TTL                      | GPIO port B bit 7.                  |
|            | $\overline{\text{TRST}}$ | I        | TTL                      | JTAG $\overline{\text{TRST}}$ .     |
| 42         | PB6                      | I/O      | TTL                      | GPIO port B bit 6.                  |
|            | C0+                      | I        | Analog                   | Analog comparator 0 positive input. |
| 43         | PB5                      | I/O      | TTL                      | GPIO port B bit 5.                  |
|            | C1-                      | I        | Analog                   | Analog comparator 1 negative input. |
| 44         | PB4                      | I/O      | TTL                      | GPIO port B bit 4.                  |
|            | C0-                      | I        | Analog                   | Analog comparator 0 negative input. |
| 45         | PD4                      | I/O      | TTL                      | GPIO port D bit 4.                  |
|            | CCP0                     | I/O      | TTL                      | Capture/Compare/PWM 0.              |
| 46         | PD5                      | I/O      | TTL                      | GPIO port D bit 5.                  |
|            | CCP2                     | I/O      | TTL                      | Capture/Compare/PWM 2.              |
| 47         | PD6                      | I/O      | TTL                      | GPIO port D bit 6.                  |
|            | Fault                    | I        | TTL                      | PWM Fault.                          |
| 48         | PD7                      | I/O      | TTL                      | GPIO port D bit 7.                  |
|            | C0o                      | O        | TTL                      | Analog comparator 0 output.         |

a. The TTL designation indicates the pin has TTL-compatible voltage levels.

Table 15-2. Signals by Signal Name

| Pin Name | Pin Number | Pin Type | Buffer Type <sup>a</sup> | Description                         |
|----------|------------|----------|--------------------------|-------------------------------------|
| C0+      | 42         | I        | Analog                   | Analog comparator 0 positive input. |
| C0-      | 44         | I        | Analog                   | Analog comparator 0 negative input. |
| C0o      | 48         | O        | TTL                      | Analog comparator 0 output.         |
| C1+      | 13         | I        | Analog                   | Analog comparator 1 positive input. |
| C1-      | 43         | I        | Analog                   | Analog comparator 1 negative input. |
| C1o      | 13         | O        | TTL                      | Analog comparator 1 output.         |
| C2+      | 12         | I        | Analog                   | Analog comparator 2 positive input. |
| C2-      | 11         | I        | Analog                   | Analog comparator 2 negative input. |
| C2o      | 12         | O        | TTL                      | Analog comparator 2 output.         |
| CCP0     | 45         | I/O      | TTL                      | Capture/Compare/PWM 0.              |
| CCP1     | 3          | I/O      | TTL                      | Capture/Compare/PWM 1.              |
| CCP2     | 46         | I/O      | TTL                      | Capture/Compare/PWM 2.              |
| CCP3     | 2          | I/O      | TTL                      | Capture/Compare/PWM 3.              |
| CCP4     | 4          | I/O      | TTL                      | Capture/Compare/PWM 4.              |
| CCP5     | 1          | I/O      | TTL                      | Capture/Compare/PWM 5.              |
| Fault    | 47         | I        | TTL                      | PWM Fault.                          |

Table 15-2. Signals by Signal Name (continued)

| Pin Name | Pin Number          | Pin Type | Buffer Type <sup>a</sup> | Description   |
|----------|---------------------|----------|--------------------------|---|
| GND      | 8<br>16<br>24<br>31 | -        | Power                    | Ground reference for logic and I/O pins.  |
| LDO      | 6                   | -        | Power                    | Low drop-out regulator output voltage. This pin requires an external capacitor between the pin and GND of 1 $\mu$ F or greater. |
| OSC0     | 9                   | I        | Analog                   | Main oscillator crystal input or an external clock reference input.   |
| OSC1     | 10                  | O        | Analog                   | Main oscillator crystal output. Leave unconnected when using a single-ended clock source.                                       |
| PA0      | 17                  | I/O      | TTL                      | GPIO port A bit 0.  |
| PA1      | 18                  | I/O      | TTL                      | GPIO port A bit 1.  |
| PA2      | 19                  | I/O      | TTL                      | GPIO port A bit 2.  |
| PA3      | 20                  | I/O      | TTL                      | GPIO port A bit 3.  |
| PA4      | 21                  | I/O      | TTL                      | GPIO port A bit 4.  |
| PA5      | 22                  | I/O      | TTL                      | GPIO port A bit 5.  |
| PB0      | 29                  | I/O      | TTL                      | GPIO port B bit 0.  |
| PB1      | 30                  | I/O      | TTL                      | GPIO port B bit 1.  |
| PB2      | 33                  | I/O      | TTL                      | GPIO port B bit 2.  |
| PB3      | 34                  | I/O      | TTL                      | GPIO port B bit 3.  |
| PB4      | 44                  | I/O      | TTL                      | GPIO port B bit 4.  |
| PB5      | 43                  | I/O      | TTL                      | GPIO port B bit 5.  |
| PB6      | 42                  | I/O      | TTL                      | GPIO port B bit 6.  |
| PB7      | 41                  | I/O      | TTL                      | GPIO port B bit 7.  |
| PC0      | 40                  | I/O      | TTL                      | GPIO port C bit 0.  |
| PC1      | 39                  | I/O      | TTL                      | GPIO port C bit 1.  |
| PC2      | 38                  | I/O      | TTL                      | GPIO port C bit 2.  |
| PC3      | 37                  | I/O      | TTL                      | GPIO port C bit 3.  |
| PC4      | 14                  | I/O      | TTL                      | GPIO port C bit 4.  |
| PC5      | 13                  | I/O      | TTL                      | GPIO port C bit 5.  |
| PC6      | 12                  | I/O      | TTL                      | GPIO port C bit 6.  |
| PC7      | 11                  | I/O      | TTL                      | GPIO port C bit 7.  |
| PD0      | 25                  | I/O      | TTL                      | GPIO port D bit 0.  |
| PD1      | 26                  | I/O      | TTL                      | GPIO port D bit 1.  |
| PD2      | 27                  | I/O      | TTL                      | GPIO port D bit 2.  |
| PD3      | 28                  | I/O      | TTL                      | GPIO port D bit 3.  |
| PD4      | 45                  | I/O      | TTL                      | GPIO port D bit 4.  |
| PD5      | 46                  | I/O      | TTL                      | GPIO port D bit 5.  |
| PD6      | 47                  | I/O      | TTL                      | GPIO port D bit 6.  |
| PD7      | 48                  | I/O      | TTL                      | GPIO port D bit 7.  |
| PE0      | 35                  | I/O      | TTL                      | GPIO port E bit 0.  |
| PE1      | 36                  | I/O      | TTL                      | GPIO port E bit 1.  |

Table 15-2. Signals by Signal Name (continued)

| Pin Name                 | Pin Number          | Pin Type | Buffer Type <sup>a</sup> | Description  |
|--------------------------|---------------------|----------|--------------------------|--|
| PE2                      | 4                   | I/O      | TTL                      | GPIO port E bit 2.                                   |
| PE3                      | 3                   | I/O      | TTL                      | GPIO port E bit 3.                                   |
| PE4                      | 2                   | I/O      | TTL                      | GPIO port E bit 4.                                   |
| PE5                      | 1                   | I/O      | TTL                      | GPIO port E bit 5.                                   |
| PWM0                     | 25                  | O        | TTL                      | PWM 0. This signal is controlled by PWM Generator 0. |
| PWM1                     | 26                  | O        | TTL                      | PWM 1. This signal is controlled by PWM Generator 0. |
| PWM2                     | 29                  | O        | TTL                      | PWM 2. This signal is controlled by PWM Generator 1. |
| PWM3                     | 30                  | O        | TTL                      | PWM 3. This signal is controlled by PWM Generator 1. |
| PWM4                     | 35                  | O        | TTL                      | PWM 4. This signal is controlled by PWM Generator 2. |
| PWM5                     | 36                  | O        | TTL                      | PWM 5. This signal is controlled by PWM Generator 2. |
| $\overline{\text{RST}}$  | 5                   | I        | TTL                      | System reset input.                                  |
| SSIClk                   | 19                  | I/O      | TTL                      | SSI clock.   |
| SSIFss                   | 20                  | I/O      | TTL                      | SSI frame.   |
| SSIRx                    | 21                  | I        | TTL                      | SSI receive.   |
| SSITx                    | 22                  | O        | TTL                      | SSI transmit.  |
| SWCLK                    | 40                  | I        | TTL                      | JTAG/SWD CLK.  |
| SWDIO                    | 39                  | I/O      | TTL                      | JTAG TMS and SWDIO.                                  |
| SWO                      | 37                  | O        | TTL                      | JTAG TDO and SWO.                                    |
| TCK                      | 40                  | I        | TTL                      | JTAG/SWD CLK.  |
| TDI                      | 38                  | I        | TTL                      | JTAG TDI.  |
| TDO                      | 37                  | O        | TTL                      | JTAG TDO and SWO.                                    |
| TMS                      | 39                  | I/O      | TTL                      | JTAG TMS and SWDIO.                                  |
| $\overline{\text{TRST}}$ | 41                  | I        | TTL                      | JTAG $\overline{\text{TRST}}$ .                      |
| U0Rx                     | 17                  | I        | TTL                      | UART module 0 receive.                               |
| U0Tx                     | 18                  | O        | TTL                      | UART module 0 transmit.                              |
| U1Rx                     | 27                  | I        | TTL                      | UART module 1 receive.                               |
| U1Tx                     | 28                  | O        | TTL                      | UART module 1 transmit.                              |
| VDD                      | 7<br>15<br>23<br>32 | -        | Power                    | Positive supply for I/O and some logic.              |

a. The TTL designation indicates the pin has TTL-compatible voltage levels.

Table 15-3. Signals by Function, Except for GPIO

| Function               | Pin Name | Pin Number | Pin Type | Buffer Type <sup>a</sup>                             | Description  |
|------------------------|----------|------------|----------|--|--|
| Analog Comparators     | C0+      | 42         | I        | Analog   | Analog comparator 0 positive input.                  |
|                        | C0-      | 44         | I        | Analog   | Analog comparator 0 negative input.                  |
|                        | C0o      | 48         | O        | TTL  | Analog comparator 0 output.                          |
|                        | C1+      | 13         | I        | Analog   | Analog comparator 1 positive input.                  |
|                        | C1-      | 43         | I        | Analog   | Analog comparator 1 negative input.                  |
|                        | C1o      | 13         | O        | TTL  | Analog comparator 1 output.                          |
|                        | C2+      | 12         | I        | Analog   | Analog comparator 2 positive input.                  |
|                        | C2-      | 11         | I        | Analog   | Analog comparator 2 negative input.                  |
| General-Purpose Timers | C2o      | 12         | O        | TTL  | Analog comparator 2 output.                          |
|                        | CCP0     | 45         | I/O      | TTL  | Capture/Compare/PWM 0.                               |
|                        | CCP1     | 3          | I/O      | TTL  | Capture/Compare/PWM 1.                               |
|                        | CCP2     | 46         | I/O      | TTL  | Capture/Compare/PWM 2.                               |
|                        | CCP3     | 2          | I/O      | TTL  | Capture/Compare/PWM 3.                               |
|                        | CCP4     | 4          | I/O      | TTL  | Capture/Compare/PWM 4.                               |
| JTAG/SWD/SWO           | CCP5     | 1          | I/O      | TTL  | Capture/Compare/PWM 5.                               |
|                        | SWCLK    | 40         | I        | TTL  | JTAG/SWD CLK.  |
|                        | SWDIO    | 39         | I/O      | TTL  | JTAG TMS and SWDIO.                                  |
|                        | SWO      | 37         | O        | TTL  | JTAG TDO and SWO.                                    |
|                        | TCK      | 40         | I        | TTL  | JTAG/SWD CLK.  |
|                        | TDI      | 38         | I        | TTL  | JTAG TDI.  |
|                        | TDO      | 37         | O        | TTL  | JTAG TDO and SWO.                                    |
|                        | TMS      | 39         | I/O      | TTL  | JTAG TMS and SWDIO.                                  |
| PWM                    | TRST     | 41         | I        | TTL  | JTAG $\overline{\text{TRST}}$ .                      |
|                        | Fault    | 47         | I        | TTL  | PWM Fault.   |
|                        | PWM0     | 25         | O        | TTL  | PWM 0. This signal is controlled by PWM Generator 0. |
|                        | PWM1     | 26         | O        | TTL  | PWM 1. This signal is controlled by PWM Generator 0. |
|                        | PWM2     | 29         | O        | TTL  | PWM 2. This signal is controlled by PWM Generator 1. |
|                        | PWM3     | 30         | O        | TTL  | PWM 3. This signal is controlled by PWM Generator 1. |
|                        | PWM4     | 35         | O        | TTL  | PWM 4. This signal is controlled by PWM Generator 2. |
| PWM5                   | 36       | O          | TTL      | PWM 5. This signal is controlled by PWM Generator 2. |  |

Table 15-3. Signals by Function, Except for GPIO (continued)

| Function                | Pin Name | Pin Number          | Pin Type | Buffer Type <sup>a</sup> | Description   |
|-------------------------|----------|---------------------|----------|--------------------------|---|
| Power                   | GND      | 8<br>16<br>24<br>31 | -        | Power                    | Ground reference for logic and I/O pins.  |
|                         | LDO      | 6                   | -        | Power                    | Low drop-out regulator output voltage. This pin requires an external capacitor between the pin and GND of 1 $\mu$ F or greater. |
|                         | VDD      | 7<br>15<br>23<br>32 | -        | Power                    | Positive supply for I/O and some logic.   |
| SSI                     | SSIClk   | 19                  | I/O      | TTL                      | SSI clock.  |
|                         | SSIFss   | 20                  | I/O      | TTL                      | SSI frame.  |
|                         | SSIRx    | 21                  | I        | TTL                      | SSI receive.  |
|                         | SSITx    | 22                  | O        | TTL                      | SSI transmit.   |
| System Control & Clocks | OSC0     | 9                   | I        | Analog                   | Main oscillator crystal input or an external clock reference input.   |
|                         | OSC1     | 10                  | O        | Analog                   | Main oscillator crystal output. Leave unconnected when using a single-ended clock source.                                       |
|                         | RST      | 5                   | I        | TTL                      | System reset input.   |
| UART                    | U0Rx     | 17                  | I        | TTL                      | UART module 0 receive.  |
|                         | U0Tx     | 18                  | O        | TTL                      | UART module 0 transmit.   |
|                         | U1Rx     | 27                  | I        | TTL                      | UART module 1 receive.  |
|                         | U1Tx     | 28                  | O        | TTL                      | UART module 1 transmit.   |

a. The TTL designation indicates the pin has TTL-compatible voltage levels.

Table 15-4. GPIO Pins and Alternate Functions

| IO  | Pin Number | Multiplexed Function     | Multiplexed Function |
|-----|------------|--------------------------|----------------------|
| PA0 | 17         | U0Rx                     |                      |
| PA1 | 18         | U0Tx                     |                      |
| PA2 | 19         | SSIClk                   |                      |
| PA3 | 20         | SSIFss                   |                      |
| PA4 | 21         | SSIRx                    |                      |
| PA5 | 22         | SSITx                    |                      |
| PB0 | 29         | PWM2                     |                      |
| PB1 | 30         | PWM3                     |                      |
| PB2 | 33         |                          |                      |
| PB3 | 34         |                          |                      |
| PB4 | 44         | C0-                      |                      |
| PB5 | 43         | C1-                      |                      |
| PB6 | 42         | C0+                      |                      |
| PB7 | 41         | $\overline{\text{TRST}}$ |                      |
| PC0 | 40         | TCK                      | SWCLK                |
| PC1 | 39         | TMS                      | SWDIO                |

Table 15-4. GPIO Pins and Alternate Functions (continued)

| IO  | Pin Number | Multiplexed Function | Multiplexed Function |
|-----|------------|----------------------|----------------------|
| PC2 | 38         | TDI                  |                      |
| PC3 | 37         | TDO                  | SWO                  |
| PC4 | 14         |                      |                      |
| PC5 | 13         | C1+                  | C1o                  |
| PC6 | 12         | C2+                  | C2o                  |
| PC7 | 11         | C2-                  |                      |
| PD0 | 25         | PWM0                 |                      |
| PD1 | 26         | PWM1                 |                      |
| PD2 | 27         | U1Rx                 |                      |
| PD3 | 28         | U1Tx                 |                      |
| PD4 | 45         | CCP0                 |                      |
| PD5 | 46         | CCP2                 |                      |
| PD6 | 47         | Fault                |                      |
| PD7 | 48         | C0o                  |                      |
| PE0 | 35         | PWM4                 |                      |
| PE1 | 36         | PWM5                 |                      |
| PE2 | 4          | CCP4                 |                      |
| PE3 | 3          | CCP1                 |                      |
| PE4 | 2          | CCP3                 |                      |
| PE5 | 1          | CCP5                 |                      |

## 15.1 Connections for Unused Signals

Table 15-5 on page 466 show how to handle signals for functions that are not used in a particular system implementation. Two options are shown in the table: an acceptable practice and a preferred practice for reduced power consumption and improved EMC characteristics.

Table 15-5. Connections for Unused Signals

| Function       | Signal Name             | Pin Number | Acceptable Practice                        | Preferred Practice   |
|----------------|-------------------------|------------|--|--|
| GPIO           | All unused GPIOs        | -          | NC   | GND  |
| System Control | OSC0                    | 9          | NC   | GND  |
|                | OSC1                    | 10         | NC   | NC   |
|                | $\overline{\text{RST}}$ | 5          | Pull up as shown in Figure 5-1 on page 153 | Connect through a capacitor to GND as close to pin as possible |

## 16 Operating Characteristics

**Table 16-1. Temperature Characteristics**

| Characteristic                         | Symbol | Value       | Unit |
|--|--------|-------------|------|
| Industrial operating temperature range | $T_A$  | -40 to +85  | °C   |
| Extended operating temperature range   | $T_A$  | -40 to +105 | °C   |
| Unpowered storage temperature range    | $T_S$  | -65 to +150 | °C   |

**Table 16-2. Thermal Characteristics**

| Characteristic  | Symbol        | Value                              | Unit |
|---|---------------|------------------------------------|------|
| Thermal resistance (junction to ambient) <sup>a</sup> | $\Theta_{JA}$ | 50 (48-pin QFP)<br>26 (48-pin QFN) | °C/W |
| Junction temperature <sup>b</sup>                     | $T_J$         | $T_A + (P \cdot \Theta_{JA})$      | °C   |
| Maximum junction temperature                          | $T_{JMAX}$    | 115 <sup>c</sup>                   | °C   |

a. Junction to ambient thermal resistance  $\Theta_{JA}$  numbers are determined by a package simulator.

b. Power dissipation is a function of temperature.

c.  $T_{JMAX}$  calculation is based on power consumption values and conditions as specified in "Power Specifications".

**Table 16-3. ESD Absolute Maximum Ratings<sup>a</sup>**

| Parameter Name | Min | Nom | Max | Unit |
|----------------|-----|-----|-----|------|
| $V_{ESDHBM}$   | -   | -   | 2.0 | kV   |
| $V_{ESDCDM}$   | -   | -   | 1.0 | kV   |
| $V_{ESDMM}$    | -   | -   | 100 | V    |

a. All Stellaris parts are ESD tested following the JEDEC standard.

## 17 Electrical Characteristics

### 17.1 DC Characteristics

#### 17.1.1 Maximum Ratings

The maximum ratings are the limits to which the device can be subjected without permanently damaging the device.

**Note:** The device is not guaranteed to operate properly at the maximum ratings.

**Table 17-1. Maximum Ratings**

| Characteristic <sup>a</sup>  | Symbol    | Value                  | Unit |
|--|-----------|------------------------|------|
| Supply voltage range ( $V_{DD}$ )  | $V_{DD}$  | 0.0 to +3.6            | V    |
| Input voltage  | $V_{IN}$  | -0.3 to 5.5            | V    |
| Input voltage for a GPIO configured as an analog input                         |           | -0.3 to $V_{DD} + 0.3$ | V    |
| Maximum current for pins, excluding pins operating as GPIOs                    | I         | 100                    | mA   |
| Maximum current for GPIO pins  | I         | 100                    | mA   |
| Maximum input voltage on a non-power pin when the microcontroller is unpowered | $V_{NON}$ | 300                    | mV   |

a. Voltages are measured with respect to GND.

**Important:** This device contains circuitry to protect the inputs against damage due to high-static voltages or electric fields; however, it is advised that normal precautions be taken to avoid application of any voltage higher than maximum-rated voltages to this high-impedance circuit. Reliability of operation is enhanced if unused inputs are connected to an appropriate logic voltage level (for example, either GND or  $V_{DD}$ ).

#### 17.1.2 Recommended DC Operating Conditions

**Table 17-2. Recommended DC Operating Conditions**

| Parameter | Parameter Name                            | Min  | Nom | Max | Unit |
|-----------|---|------|-----|-----|------|
| $V_{DD}$  | Supply voltage                            | 3.0  | 3.3 | 3.6 | V    |
| $V_{IH}$  | High-level input voltage                  | 2.0  | -   | 5.0 | V    |
| $V_{IL}$  | Low-level input voltage                   | -0.3 | -   | 1.3 | V    |
| $V_{OH}$  | High-level output voltage                 | 2.4  | -   | -   | V    |
| $V_{OL}$  | Low-level output voltage                  | -    | -   | 0.4 | V    |
| $I_{OH}$  | High-level source current, $V_{OH}=2.4$ V |      |     |     |      |
|           | 2-mA Drive                                | 2.0  | -   | -   | mA   |
|           | 4-mA Drive                                | 4.0  | -   | -   | mA   |
|           | 8-mA Drive                                | 8.0  | -   | -   | mA   |
| $I_{OL}$  | Low-level sink current, $V_{OL}=0.4$ V    |      |     |     |      |
|           | 2-mA Drive                                | 2.0  | -   | -   | mA   |
|           | 4-mA Drive                                | 4.0  | -   | -   | mA   |
|           | 8-mA Drive                                | 8.0  | -   | -   | mA   |

### 17.1.3 On-Chip Low Drop-Out (LDO) Regulator Characteristics

Table 17-3. LDO Regulator Characteristics

| Parameter    | Parameter Name   | Min  | Nom | Max  | Unit    |
|--------------|--|------|-----|------|---------|
| $V_{LDOOUT}$ | Programmable internal (logic) power supply output value  | 2.25 | -   | 2.75 | V       |
|              | Output voltage accuracy                                  | -    | 2%  | -    | %       |
| $t_{PON}$    | Power-on time  | -    | -   | 100  | $\mu$ s |
| $t_{ON}$     | Time on  | -    | -   | 200  | $\mu$ s |
| $t_{OFF}$    | Time off   | -    | -   | 100  | $\mu$ s |
| $V_{STEP}$   | Step programming incremental voltage                     | -    | 50  | -    | mV      |
| $C_{LDO}$    | External filter capacitor size for internal power supply | 1.0  | -   | 3.0  | $\mu$ F |

### 17.1.4 GPIO Module Characteristics

Table 17-4. GPIO Module DC Characteristics

| Parameter    | Parameter Name                          | Min | Nom | Max | Unit       |
|--------------|---|-----|-----|-----|------------|
| $R_{GPIOPU}$ | GPIO internal pull-up resistor          | 50  | -   | 110 | k $\Omega$ |
| $R_{GPIOPD}$ | GPIO internal pull-down resistor        | 55  | -   | 180 | k $\Omega$ |
| $I_{LKG}$    | GPIO input leakage current <sup>a</sup> | -   | -   | 2   | $\mu$ A    |

a. The leakage current is measured with GND or  $V_{DD}$  applied to the corresponding pin(s). The leakage of digital port pins is measured individually. The port pin is configured as an input and the pullup/pulldown resistor is disabled.

### 17.1.5 Power Specifications

The power measurements specified in the tables that follow are run on the core processor using SRAM with the following specifications (except as noted):

- $V_{DD} = 3.3$  V
- Temperature = 25°C

Table 17-5. Detailed Power Specifications

| Parameter           | Parameter Name          | Conditions   | Nom | Max  | Unit    |
|---------------------|-------------------------|--|-----|------|---------|
| $I_{DD\_RUN}$       | Run mode 1 (Flash loop) | LDO = 2.50 V<br>Code = while(1){} executed out of Flash<br>Peripherals = All clock-gated ON<br>System Clock = 25 MHz (with PLL)  | 60  | 65   | mA      |
|                     | Run mode 2 (Flash loop) | LDO = 2.50 V<br>Code = while(1){} executed out of Flash<br>Peripherals = All clock-gated OFF<br>System Clock = 25 MHz (with PLL) | 40  | 45   | mA      |
|                     | Run mode 1 (SRAM loop)  | LDO = 2.50 V<br>Code = while(1){} executed in SRAM<br>Peripherals = All clock-gated ON<br>System Clock = 25 MHz (with PLL)       | 50  | 55   | mA      |
|                     | Run mode 2 (SRAM loop)  | LDO = 2.50 V<br>Code = while(1){} executed in SRAM<br>Peripherals = All clock-gated OFF<br>System Clock = 25 MHz (with PLL)      | 30  | 35   | mA      |
| $I_{DD\_SLEEP}$     | Sleep mode              | LDO = 2.50 V<br>Peripherals = All clock-gated OFF<br>System Clock = 25 MHz (with PLL)  | 18  | 21   | mA      |
| $I_{DD\_DEEPSLEEP}$ | Deep-Sleep mode         | LDO = 2.25 V<br>Peripherals = All OFF<br>System Clock = MOSC/16  | 950 | 1150 | $\mu$ A |

### 17.1.6 Flash Memory Characteristics

Table 17-6. Flash Memory Characteristics

| Parameter   | Parameter Name   | Min    | Nom     | Max | Unit    |
|-------------|--|--------|---------|-----|---------|
| $PE_{CYC}$  | Number of guaranteed program/erase cycles before failure <sup>a</sup>                    | 10,000 | 100,000 | -   | cycles  |
| $T_{RET}$   | Data retention at average operating temperature of 85°C (industrial) or 105°C (extended) | 10     | -       | -   | years   |
| $T_{PROG}$  | Word program time  | 20     | -       | -   | $\mu$ s |
| $T_{ERASE}$ | Page erase time  | 20     | -       | -   | ms      |
| $T_{ME}$    | Mass erase time  | -      | -       | 250 | ms      |

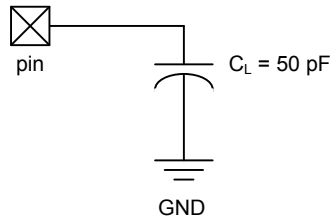
a. A program/erase cycle is defined as switching the bits from 1-> 0 -> 1.

## 17.2 AC Characteristics

### 17.2.1 Load Conditions

Unless otherwise specified, the following conditions are true for all timing measurements. Timing measurements are for 4-mA drive strength.

Figure 17-1. Load Conditions



## 17.2.2 Clocks

Table 17-7. Phase Locked Loop (PLL) Characteristics

| Parameter                 | Parameter Name                        | Min      | Nom | Max   | Unit |
|---------------------------|---------------------------------------|----------|-----|-------|------|
| $f_{\text{ref\_crystal}}$ | Crystal reference <sup>a</sup>        | 3.579545 | -   | 8.192 | MHz  |
| $f_{\text{ref\_ext}}$     | External clock reference <sup>a</sup> | 3.579545 | -   | 8.192 | MHz  |
| $f_{\text{pll}}$          | PLL frequency <sup>b</sup>            | -        | 200 | -     | MHz  |
| $T_{\text{READY}}$        | PLL lock time                         | -        | -   | 0.5   | ms   |

a. The exact value is determined by the crystal value programmed into the `XTAL` field of the **Run-Mode Clock Configuration (RCC)** register.

b. PLL frequency is automatically calculated by the hardware based on the `XTAL` field of the **RCC** register.

Table 17-8. Clock Characteristics

| Parameter                         | Parameter Name   | Min | Nom | Max  | Unit |
|-----------------------------------|--|-----|-----|------|------|
| $f_{\text{IOSC}}$                 | Internal oscillator frequency                                    | 7   | 12  | 22   | MHz  |
| $f_{\text{MOSC}}$                 | Main oscillator frequency  | 1   | -   | 8    | MHz  |
| $t_{\text{MOSC\_per}}$            | Main oscillator period   | 125 | -   | 1000 | ns   |
| $f_{\text{ref\_crystal\_bypass}}$ | Crystal reference using the main oscillator (PLL in BYPASS mode) | 1   | -   | 8    | MHz  |
| $f_{\text{ref\_ext\_bypass}}$     | External clock reference (PLL in BYPASS mode)                    | 0   | -   | 25   | MHz  |
| $f_{\text{system\_clock}}$        | System clock   | 0   | -   | 25   | MHz  |

## 17.2.3 JTAG and Boundary Scan

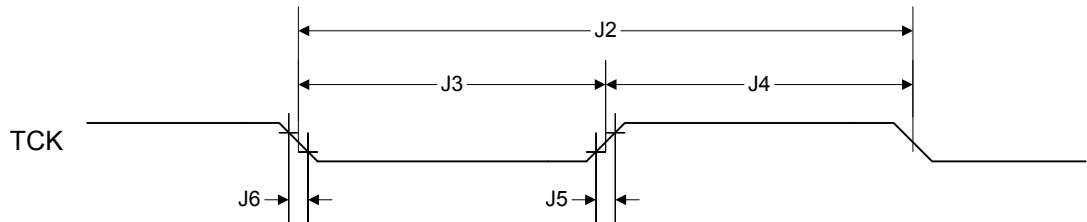
Table 17-9. JTAG Characteristics

| Parameter No. | Parameter              | Parameter Name                  | Min | Nom                | Max | Unit |
|---------------|------------------------|---------------------------------|-----|--------------------|-----|------|
| J1            | $f_{\text{TCK}}$       | TCK operational clock frequency | 0   | -                  | 10  | MHz  |
| J2            | $t_{\text{TCK}}$       | TCK operational clock period    | 100 | -                  | -   | ns   |
| J3            | $t_{\text{TCK\_LOW}}$  | TCK clock Low time              | -   | $t_{\text{TCK}}/2$ | -   | ns   |
| J4            | $t_{\text{TCK\_HIGH}}$ | TCK clock High time             | -   | $t_{\text{TCK}}/2$ | -   | ns   |
| J5            | $t_{\text{TCK\_R}}$    | TCK rise time                   | 0   | -                  | 10  | ns   |
| J6            | $t_{\text{TCK\_F}}$    | TCK fall time                   | 0   | -                  | 10  | ns   |
| J7            | $t_{\text{TMS\_SU}}$   | TMS setup time to TCK rise      | 20  | -                  | -   | ns   |
| J8            | $t_{\text{TMS\_HLD}}$  | TMS hold time from TCK rise     | 20  | -                  | -   | ns   |
| J9            | $t_{\text{TDL\_SU}}$   | TDI setup time to TCK rise      | 25  | -                  | -   | ns   |

**Table 17-9. JTAG Characteristics (continued)**

| Parameter No. | Parameter      | Parameter Name                           | Min | Nom | Max | Unit |
|---------------|----------------|--|-----|-----|-----|------|
| J10           | $t_{TDI\_HLD}$ | TDI hold time from TCK rise              | 25  | -   | -   | ns   |
| J11           | $t_{TDO\_ZDV}$ | 2-mA drive                               | -   | 23  | 35  | ns   |
|               |                | 4-mA drive                               |     | 15  | 26  | ns   |
|               |                | 8-mA drive                               |     | 14  | 25  | ns   |
|               |                | 8-mA drive with slew rate control        |     | 18  | 29  | ns   |
| J12           | $t_{TDO\_DV}$  | 2-mA drive                               | -   | 21  | 35  | ns   |
|               |                | 4-mA drive                               |     | 14  | 25  | ns   |
|               |                | 8-mA drive                               |     | 13  | 24  | ns   |
|               |                | 8-mA drive with slew rate control        |     | 18  | 28  | ns   |
| J13           | $t_{TDO\_DVZ}$ | 2-mA drive                               | -   | 9   | 11  | ns   |
|               |                | 4-mA drive                               |     | 7   | 9   | ns   |
|               |                | 8-mA drive                               |     | 6   | 8   | ns   |
|               |                | 8-mA drive with slew rate control        |     | 7   | 9   | ns   |
| J14           | $t_{TRST}$     | $\overline{TRST}$ assertion time         | 100 | -   | -   | ns   |
| J15           | $t_{TRST\_SU}$ | $\overline{TRST}$ setup time to TCK rise | 10  | -   | -   | ns   |

**Figure 17-2. JTAG Test Clock Input Timing**



**Figure 17-3. JTAG Test Access Port (TAP) Timing**

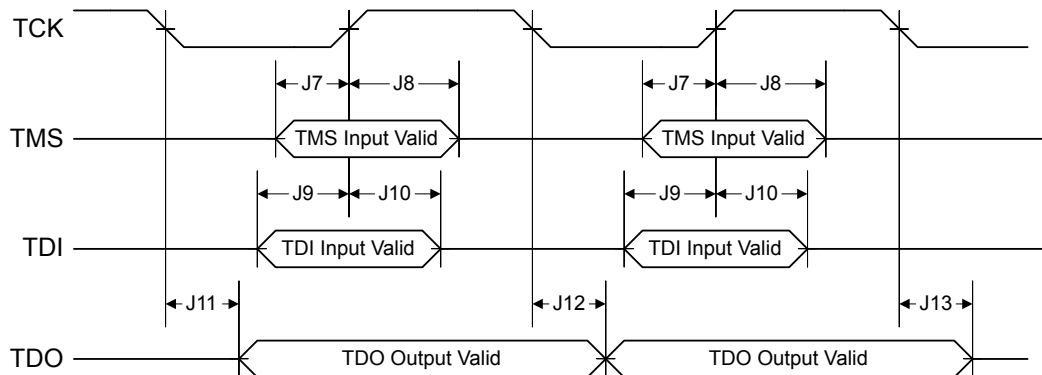
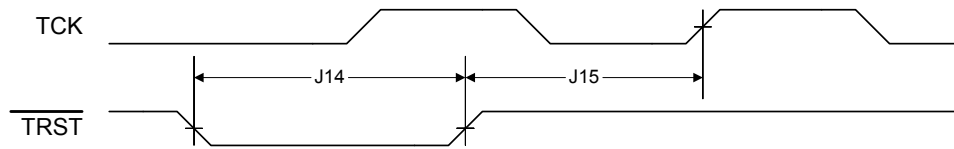


Figure 17-4. JTAG TRST Timing



## 17.2.4 Reset

Table 17-10. Reset Characteristics

| Parameter No. | Parameter     | Parameter Name  | Min  | Nom | Max  | Unit    |
|---------------|---------------|---|------|-----|------|---------|
| R1            | $V_{TH}$      | Reset threshold   | -    | 2.0 | -    | V       |
| R2            | $V_{BTH}$     | Brown-Out threshold   | 2.85 | 2.9 | 2.95 | V       |
| R3            | $T_{POR}$     | Power-On Reset timeout  | -    | 10  | -    | ms      |
| R4            | $T_{BOR}$     | Brown-Out timeout   | -    | 500 | -    | $\mu$ s |
| R5            | $T_{IRPOR}$   | Internal reset timeout after POR  | 15   | -   | 30   | ms      |
| R6            | $T_{IRBOR}$   | Internal reset timeout after BOR <sup>a</sup>                             | 2.5  | -   | 20   | $\mu$ s |
| R7            | $T_{IRHWR}$   | Internal reset timeout after hardware reset ( $\overline{RST}$ pin)       | 15   | -   | 30   | ms      |
| R8            | $T_{IRSWR}$   | Internal reset timeout after software-initiated system reset <sup>a</sup> | 2.5  | -   | 20   | $\mu$ s |
| R9            | $T_{IRWDR}$   | Internal reset timeout after watchdog reset <sup>a</sup>                  | 2.5  | -   | 20   | $\mu$ s |
| R10           | $T_{IRLDOR}$  | Internal reset timeout after LDO reset <sup>a</sup>                       | 2.5  | -   | 20   | $\mu$ s |
| R11           | $T_{VDDRISE}$ | Supply voltage ( $V_{DD}$ ) rise time (0 V-3.3 V)                         | -    | -   | 100  | ms      |

a.  $20 * t_{MOSC\_per}$

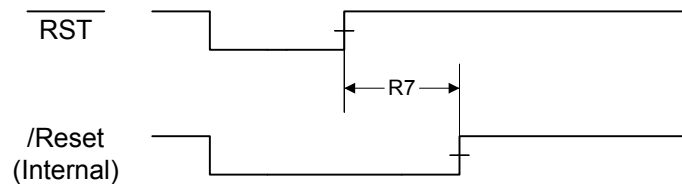
Figure 17-5. External Reset Timing ( $\overline{RST}$ )

Figure 17-6. Power-On Reset Timing

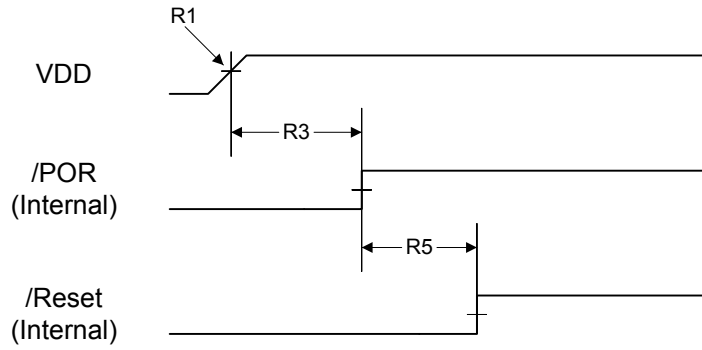


Figure 17-7. Brown-Out Reset Timing

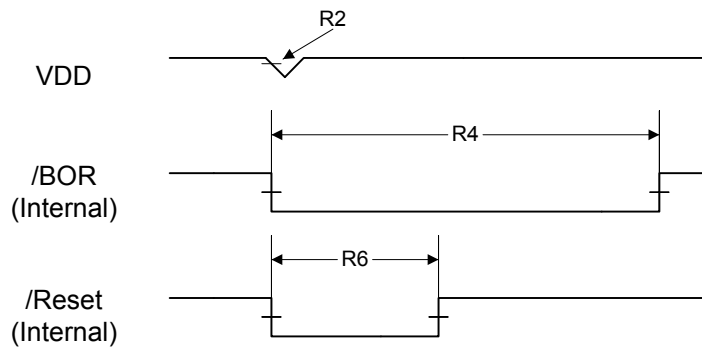


Figure 17-8. Software Reset Timing

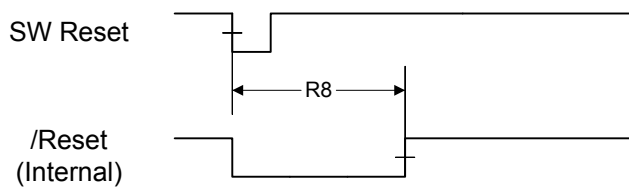


Figure 17-9. Watchdog Reset Timing

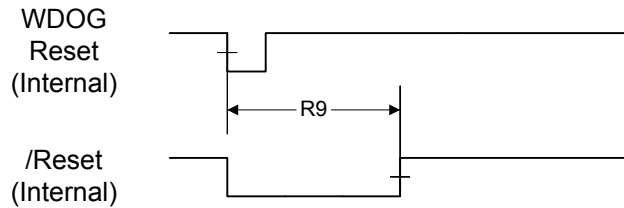
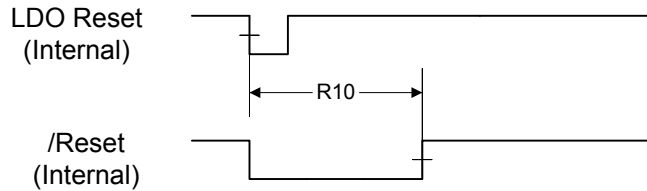


Figure 17-10. LDO Reset Timing



## 17.2.5 Sleep Modes

Table 17-11. Sleep Modes AC Characteristics<sup>a</sup>

| Parameter No | Parameter                 | Parameter Name   | Min | Nom | Max                | Unit          |
|--------------|---------------------------|--|-----|-----|--------------------|---------------|
| D1           | $t_{\text{WAKE\_S}}$      | Time to wake from interrupt in sleep or deep-sleep mode, not using the PLL | -   | -   | 7                  | system clocks |
| D2           | $t_{\text{WAKE\_PLL\_S}}$ | Time to wake from interrupt in sleep or deep-sleep mode when using the PLL | -   | -   | $T_{\text{READY}}$ | ms            |

a. Values in this table assume the IOOSC is the clock source during sleep or deep-sleep mode.

## 17.2.6 General-Purpose I/O (GPIO)

**Note:** All GPIOs are 5 V-tolerant.

Table 17-12. GPIO Characteristics

| Parameter           | Parameter Name                                       | Condition                         | Min | Nom | Max | Unit |
|---------------------|--|-----------------------------------|-----|-----|-----|------|
| $t_{\text{GPIO R}}$ | GPIO Rise Time (from 20% to 80% of $V_{\text{DD}}$ ) | 2-mA drive                        | -   | 17  | 26  | ns   |
|                     |  | 4-mA drive                        |     | 9   | 13  | ns   |
|                     |  | 8-mA drive                        |     | 6   | 9   | ns   |
|                     |  | 8-mA drive with slew rate control |     | 10  | 12  | ns   |
| $t_{\text{GPIO F}}$ | GPIO Fall Time (from 80% to 20% of $V_{\text{DD}}$ ) | 2-mA drive                        | -   | 17  | 25  | ns   |
|                     |  | 4-mA drive                        |     | 8   | 12  | ns   |
|                     |  | 8-mA drive                        |     | 6   | 10  | ns   |
|                     |  | 8-mA drive with slew rate control |     | 11  | 13  | ns   |

### 17.2.7 Synchronous Serial Interface (SSI)

Table 17-13. SSI Characteristics

| Parameter No. | Parameter       | Parameter Name                     | Min | Nom | Max   | Unit          |
|---------------|-----------------|------------------------------------|-----|-----|-------|---------------|
| S1            | $t_{clk\_per}$  | SSIClk cycle time                  | 2   | -   | 65024 | system clocks |
| S2            | $t_{clk\_high}$ | SSIClk high time                   | -   | 0.5 | -     | t clk_per     |
| S3            | $t_{clk\_low}$  | SSIClk low time                    | -   | 0.5 | -     | t clk_per     |
| S4            | $t_{clkrf}$     | SSIClk rise/fall time <sup>a</sup> | -   | 6   | 10    | ns            |
| S5            | $t_{DMd}$       | Data from master valid delay time  | 0   | -   | 1     | system clocks |
| S6            | $t_{DMs}$       | Data from master setup time        | 1   | -   | -     | system clocks |
| S7            | $t_{DMh}$       | Data from master hold time         | 2   | -   | -     | system clocks |
| S8            | $t_{DSs}$       | Data from slave setup time         | 1   | -   | -     | system clocks |
| S9            | $t_{DSH}$       | Data from slave hold time          | 2   | -   | -     | system clocks |

a. Note that the delays shown are using 8-mA drive strength.

Figure 17-11. SSI Timing for TI Frame Format (FRF=01), Single Transfer Timing Measurement

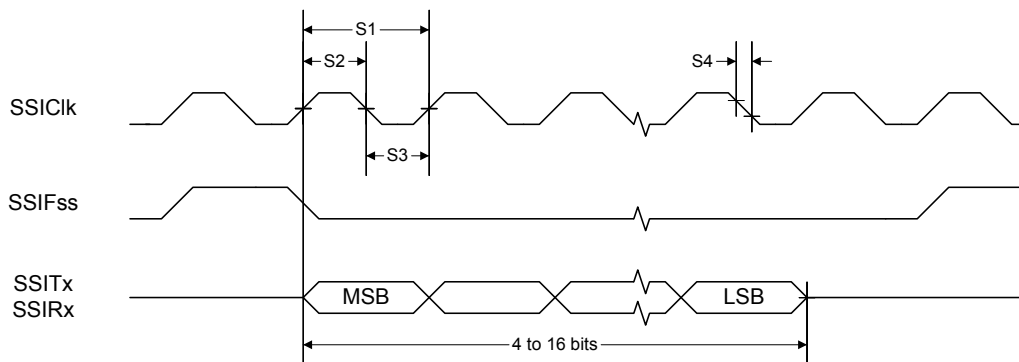


Figure 17-12. SSI Timing for MICROWIRE Frame Format (FRF=10), Single Transfer

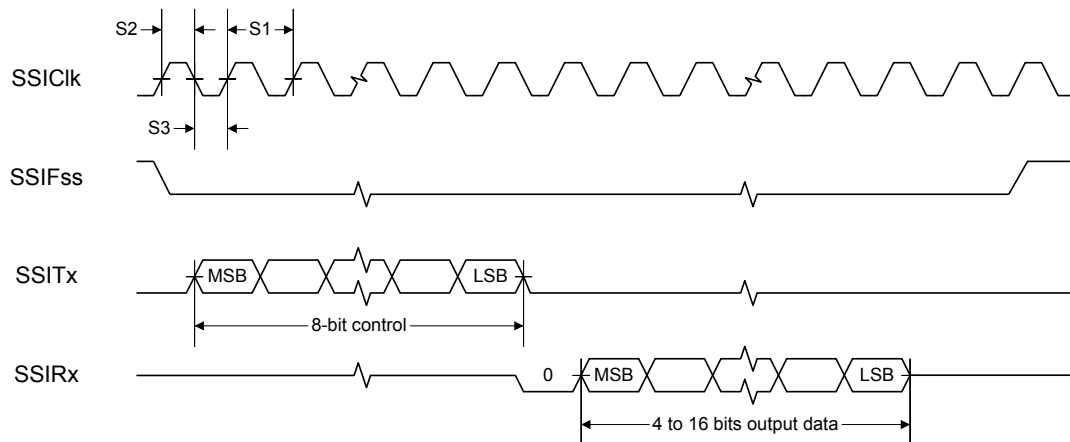
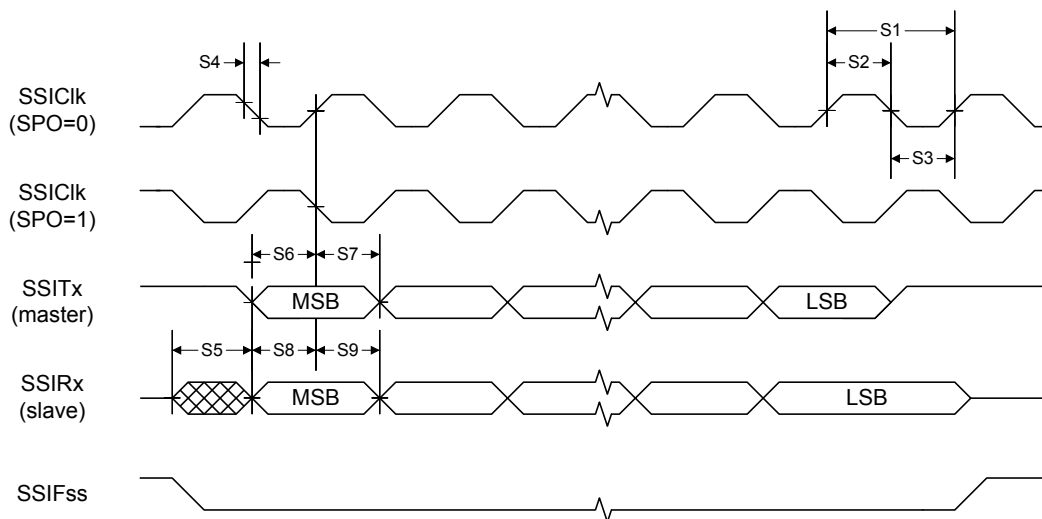


Figure 17-13. SSI Timing for SPI Frame Format (FRF=00), with SPH=1



## 17.2.8 Analog Comparator

Table 17-14. Analog Comparator Characteristics

| Parameter | Parameter Name                         | Min | Nom      | Max          | Unit    |
|-----------|--|-----|----------|--------------|---------|
| $V_{OS}$  | Input offset voltage                   | -   | $\pm 10$ | $\pm 25$     | mV      |
| $V_{CM}$  | Input common mode voltage range        | 0   | -        | $V_{DD}-1.5$ | V       |
| $C_{MRR}$ | Common mode rejection ratio            | 50  | -        | -            | dB      |
| $T_{RT}$  | Response time                          | -   | -        | 1            | $\mu s$ |
| $T_{MC}$  | Comparator mode change to Output Valid | -   | -        | 10           | $\mu s$ |

**Table 17-15. Analog Comparator Voltage Reference Characteristics**

| Parameter       | Parameter Name               | Min | Nom                 | Max  | Unit |
|-----------------|------------------------------|-----|---------------------|------|------|
| R <sub>HR</sub> | Resolution high range        | -   | V <sub>DD</sub> /31 | -    | LSB  |
| R <sub>LR</sub> | Resolution low range         | -   | V <sub>DD</sub> /23 | -    | LSB  |
| A <sub>HR</sub> | Absolute accuracy high range | -   | -                   | ±1/2 | LSB  |
| A <sub>LR</sub> | Absolute accuracy low range  | -   | -                   | ±1/4 | LSB  |

## A Serial Flash Loader

### A.1 Serial Flash Loader

The Stellaris® serial flash loader is a preprogrammed flash-resident utility used to download code to the flash memory of a device without the use of a debug interface. The serial flash loader uses a simple packet interface to provide synchronous communication with the device. The flash loader runs off the crystal and does not enable the PLL, so its speed is determined by the crystal used. The two serial interfaces that can be used are the UART0 and SSI0 interfaces. For simplicity, both the data format and communication protocol are identical for both serial interfaces.

### A.2 Interfaces

Once communication with the flash loader is established via one of the serial interfaces, that interface is used until the flash loader is reset or new code takes over. For example, once you start communicating using the SSI port, communications with the flash loader via the UART are disabled until the device is reset.

#### A.2.1 UART

The Universal Asynchronous Receivers/Transmitters (UART) communication uses a fixed serial format of 8 bits of data, no parity, and 1 stop bit. The baud rate used for communication is automatically detected by the flash loader and can be any valid baud rate supported by the host and the device. The auto detection sequence requires that the baud rate should be no more than 1/32 the crystal frequency of the board that is running the serial flash loader. This is actually the same as the hardware limitation for the maximum baud rate for any UART on a Stellaris device which is calculated as follows:

$$\text{Max Baud Rate} = \text{System Clock Frequency} / 16$$

In order to determine the baud rate, the serial flash loader needs to determine the relationship between its own crystal frequency and the baud rate. This is enough information for the flash loader to configure its UART to the same baud rate as the host. This automatic baud-rate detection allows the host to use any valid baud rate that it wants to communicate with the device.

The method used to perform this automatic synchronization relies on the host sending the flash loader two bytes that are both 0x55. This generates a series of pulses to the flash loader that it can use to calculate the ratios needed to program the UART to match the host's baud rate. After the host sends the pattern, it attempts to read back one byte of data from the UART. The flash loader returns the value of 0xCC to indicate successful detection of the baud rate. If this byte is not received after at least twice the time required to transfer the two bytes, the host can resend another pattern of 0x55, 0x55, and wait for the 0xCC byte again until the flash loader acknowledges that it has received a synchronization pattern correctly. For example, the time to wait for data back from the flash loader should be calculated as at least  $2 * (20(\text{bits/sync}) / \text{baud rate} (\text{bits/sec}))$ . For a baud rate of 115200, this time is  $2 * (20 / 115200)$  or 0.35 ms.

#### A.2.2 SSI

The Synchronous Serial Interface (SSI) port also uses a fixed serial format for communications, with the framing defined as Motorola format with SPH set to 1 and SPO set to 1. See "Frame Formats" on page 369 in the SSI chapter for more information on formats for this transfer protocol. Like the UART, this interface has hardware requirements that limit the maximum speed that the SSI clock can run. This allows the SSI clock to be at most 1/12 the crystal frequency of the board running

the flash loader. Since the host device is the master, the SSI on the flash loader device does not need to determine the clock as it is provided directly by the host.

## A.3 Packet Handling

All communications, with the exception of the UART auto-baud, are done via defined packets that are acknowledged (ACK) or not acknowledged (NAK) by the devices. The packets use the same format for receiving and sending packets, including the method used to acknowledge successful or unsuccessful reception of a packet.

### A.3.1 Packet Format

All packets sent and received from the device use the following byte-packed format.

```
struct
{
    unsigned char ucSize;
    unsigned char ucChecksum;
    unsigned char Data[];
};
```

|            |   |
|------------|---|
| ucSize     | The first byte received holds the total size of the transfer including the size and checksum bytes.   |
| ucChecksum | This holds a simple checksum of the bytes in the data buffer only. The algorithm is $Data[0]+Data[1]+\dots+Data[ucSize-3]$ .  |
| Data       | This is the raw data intended for the device, which is formatted in some form of command interface. There should be $ucSize-2$ bytes of data provided in this buffer to or from the device. |

### A.3.2 Sending Packets

The actual bytes of the packet can be sent individually or all at once; the only limitation is that commands that cause flash memory access should limit the download sizes to prevent losing bytes during flash programming. This limitation is discussed further in the section that describes the serial flash loader command, `COMMAND_SEND_DATA` (see “`COMMAND_SEND_DATA (0x24)`” on page 482).

Once the packet has been formatted correctly by the host, it should be sent out over the UART or SSI interface. Then the host should poll the UART or SSI interface for the first non-zero data returned from the device. The first non-zero byte will either be an ACK (0xCC) or a NAK (0x33) byte from the device indicating the packet was received successfully (ACK) or unsuccessfully (NAK). This does not indicate that the actual contents of the command issued in the data portion of the packet were valid, just that the packet was received correctly.

### A.3.3 Receiving Packets

The flash loader sends a packet of data in the same format that it receives a packet. The flash loader may transfer leading zero data before the first actual byte of data is sent out. The first non-zero byte is the size of the packet followed by a checksum byte, and finally followed by the data itself. There is no break in the data after the first non-zero byte is sent from the flash loader. Once the device communicating with the flash loader receives all the bytes, it must either ACK or NAK the packet to indicate that the transmission was successful. The appropriate response after sending a NAK to the flash loader is to resend the command that failed and request the data again. If needed, the host may send leading zeros before sending down the ACK/NAK signal to the flash loader, as the

flash loader only accepts the first non-zero data as a valid response. This zero padding is needed by the SSI interface in order to receive data to or from the flash loader.

## A.4 Commands

The next section defines the list of commands that can be sent to the flash loader. The first byte of the data should always be one of the defined commands, followed by data or parameters as determined by the command that is sent.

### A.4.1 COMMAND\_PING (0x20)

This command simply accepts the command and sets the global status to success. The format of the packet is as follows:

```
Byte[0] = 0x03;
Byte[1] = checksum(Byte[2]);
Byte[2] = COMMAND_PING;
```

The ping command has 3 bytes and the value for `COMMAND_PING` is 0x20 and the checksum of one byte is that same byte, making `Byte[1]` also 0x20. Since the ping command has no real return status, the receipt of an ACK can be interpreted as a successful ping to the flash loader.

### A.4.2 COMMAND\_GET\_STATUS (0x23)

This command returns the status of the last command that was issued. Typically, this command should be sent after every command to ensure that the previous command was successful or to properly respond to a failure. The command requires one byte in the data of the packet and should be followed by reading a packet with one byte of data that contains a status code. The last step is to ACK or NAK the received data so the flash loader knows that the data has been read.

```
Byte[0] = 0x03
Byte[1] = checksum(Byte[2])
Byte[2] = COMMAND_GET_STATUS
```

### A.4.3 COMMAND\_DOWNLOAD (0x21)

This command is sent to the flash loader to indicate where to store data and how many bytes will be sent by the `COMMAND_SEND_DATA` commands that follow. The command consists of two 32-bit values that are both transferred MSB first. The first 32-bit value is the address to start programming data into, while the second is the 32-bit size of the data that will be sent. This command also triggers an erase of the full area to be programmed so this command takes longer than other commands. This results in a longer time to receive the ACK/NAK back from the board. This command should be followed by a `COMMAND_GET_STATUS` to ensure that the Program Address and Program size are valid for the device running the flash loader.

The format of the packet to send this command is a follows:

```
Byte[0] = 11
Byte[1] = checksum(Bytes[2:10])
Byte[2] = COMMAND_DOWNLOAD
Byte[3] = Program Address [31:24]
Byte[4] = Program Address [23:16]
Byte[5] = Program Address [15:8]
Byte[6] = Program Address [7:0]
Byte[7] = Program Size [31:24]
```

```
Byte[8] = Program Size [23:16]
Byte[9] = Program Size [15:8]
Byte[10] = Program Size [7:0]
```

#### A.4.4 **COMMAND\_SEND\_DATA (0x24)**

This command should only follow a `COMMAND_DOWNLOAD` command or another `COMMAND_SEND_DATA` command if more data is needed. Consecutive send data commands automatically increment address and continue programming from the previous location. The caller should limit transfers of data to a maximum 8 bytes of packet data to allow the flash to program successfully and not overflow input buffers of the serial interfaces. The command terminates programming once the number of bytes indicated by the `COMMAND_DOWNLOAD` command has been received. Each time this function is called it should be followed by a `COMMAND_GET_STATUS` to ensure that the data was successfully programmed into the flash. If the flash loader sends a NAK to this command, the flash loader does not increment the current address to allow retransmission of the previous data.

```
Byte[0] = 11
Byte[1] = checksum(Bytes[2:10])
Byte[2] = COMMAND_SEND_DATA
Byte[3] = Data[0]
Byte[4] = Data[1]
Byte[5] = Data[2]
Byte[6] = Data[3]
Byte[7] = Data[4]
Byte[8] = Data[5]
Byte[9] = Data[6]
Byte[10] = Data[7]
```

#### A.4.5 **COMMAND\_RUN (0x22)**

This command is used to tell the flash loader to execute from the address passed as the parameter in this command. This command consists of a single 32-bit value that is interpreted as the address to execute. The 32-bit value is transmitted MSB first and the flash loader responds with an ACK signal back to the host device before actually executing the code at the given address. This allows the host to know that the command was received successfully and the code is now running.

```
Byte[0] = 7
Byte[1] = checksum(Bytes[2:6])
Byte[2] = COMMAND_RUN
Byte[3] = Execute Address[31:24]
Byte[4] = Execute Address[23:16]
Byte[5] = Execute Address[15:8]
Byte[6] = Execute Address[7:0]
```

#### A.4.6 **COMMAND\_RESET (0x25)**

This command is used to tell the flash loader device to reset. This is useful when downloading a new image that overwrote the flash loader and wants to start from a full reset. Unlike the `COMMAND_RUN` command, this allows the initial stack pointer to be read by the hardware and set up for the new code. It can also be used to reset the flash loader if a critical error occurs and the host device wants to restart communication with the flash loader.

```
Byte[0] = 3  
Byte[1] = checksum(Byte[2])  
Byte[2] = COMMAND_RESET
```

The flash loader responds with an ACK signal back to the host device before actually executing the software reset to the device running the flash loader. This allows the host to know that the command was received successfully and the part will be reset.

# B Register Quick Reference

| 31   | 30 | 29 | 28 | 27 | 26 | 25 | 24 | 23 | 22 | 21 | 20 | 19 | 18 | 17 | 16 |
|--|----|----|----|----|----|----|----|----|----|----|----|----|----|----|----|
| 15   | 14 | 13 | 12 | 11 | 10 | 9  | 8  | 7  | 6  | 5  | 4  | 3  | 2  | 1  | 0  |
| <b>The Cortex-M3 Processor</b>                         |    |    |    |    |    |    |    |    |    |    |    |    |    |    |    |
| <b>R0, type R/W, , reset - (see page 47)</b>           |    |    |    |    |    |    |    |    |    |    |    |    |    |    |    |
| DATA   |    |    |    |    |    |    |    |    |    |    |    |    |    |    |    |
| DATA   |    |    |    |    |    |    |    |    |    |    |    |    |    |    |    |
| <b>R1, type R/W, , reset - (see page 47)</b>           |    |    |    |    |    |    |    |    |    |    |    |    |    |    |    |
| DATA   |    |    |    |    |    |    |    |    |    |    |    |    |    |    |    |
| DATA   |    |    |    |    |    |    |    |    |    |    |    |    |    |    |    |
| <b>R2, type R/W, , reset - (see page 47)</b>           |    |    |    |    |    |    |    |    |    |    |    |    |    |    |    |
| DATA   |    |    |    |    |    |    |    |    |    |    |    |    |    |    |    |
| DATA   |    |    |    |    |    |    |    |    |    |    |    |    |    |    |    |
| <b>R3, type R/W, , reset - (see page 47)</b>           |    |    |    |    |    |    |    |    |    |    |    |    |    |    |    |
| DATA   |    |    |    |    |    |    |    |    |    |    |    |    |    |    |    |
| DATA   |    |    |    |    |    |    |    |    |    |    |    |    |    |    |    |
| <b>R4, type R/W, , reset - (see page 47)</b>           |    |    |    |    |    |    |    |    |    |    |    |    |    |    |    |
| DATA   |    |    |    |    |    |    |    |    |    |    |    |    |    |    |    |
| DATA   |    |    |    |    |    |    |    |    |    |    |    |    |    |    |    |
| <b>R5, type R/W, , reset - (see page 47)</b>           |    |    |    |    |    |    |    |    |    |    |    |    |    |    |    |
| DATA   |    |    |    |    |    |    |    |    |    |    |    |    |    |    |    |
| DATA   |    |    |    |    |    |    |    |    |    |    |    |    |    |    |    |
| <b>R6, type R/W, , reset - (see page 47)</b>           |    |    |    |    |    |    |    |    |    |    |    |    |    |    |    |
| DATA   |    |    |    |    |    |    |    |    |    |    |    |    |    |    |    |
| DATA   |    |    |    |    |    |    |    |    |    |    |    |    |    |    |    |
| <b>R7, type R/W, , reset - (see page 47)</b>           |    |    |    |    |    |    |    |    |    |    |    |    |    |    |    |
| DATA   |    |    |    |    |    |    |    |    |    |    |    |    |    |    |    |
| DATA   |    |    |    |    |    |    |    |    |    |    |    |    |    |    |    |
| <b>R8, type R/W, , reset - (see page 47)</b>           |    |    |    |    |    |    |    |    |    |    |    |    |    |    |    |
| DATA   |    |    |    |    |    |    |    |    |    |    |    |    |    |    |    |
| DATA   |    |    |    |    |    |    |    |    |    |    |    |    |    |    |    |
| <b>R9, type R/W, , reset - (see page 47)</b>           |    |    |    |    |    |    |    |    |    |    |    |    |    |    |    |
| DATA   |    |    |    |    |    |    |    |    |    |    |    |    |    |    |    |
| DATA   |    |    |    |    |    |    |    |    |    |    |    |    |    |    |    |
| <b>R10, type R/W, , reset - (see page 47)</b>          |    |    |    |    |    |    |    |    |    |    |    |    |    |    |    |
| DATA   |    |    |    |    |    |    |    |    |    |    |    |    |    |    |    |
| DATA   |    |    |    |    |    |    |    |    |    |    |    |    |    |    |    |
| <b>R11, type R/W, , reset - (see page 47)</b>          |    |    |    |    |    |    |    |    |    |    |    |    |    |    |    |
| DATA   |    |    |    |    |    |    |    |    |    |    |    |    |    |    |    |
| DATA   |    |    |    |    |    |    |    |    |    |    |    |    |    |    |    |
| <b>R12, type R/W, , reset - (see page 47)</b>          |    |    |    |    |    |    |    |    |    |    |    |    |    |    |    |
| DATA   |    |    |    |    |    |    |    |    |    |    |    |    |    |    |    |
| DATA   |    |    |    |    |    |    |    |    |    |    |    |    |    |    |    |
| <b>SP, type R/W, , reset - (see page 48)</b>           |    |    |    |    |    |    |    |    |    |    |    |    |    |    |    |
| SP   |    |    |    |    |    |    |    |    |    |    |    |    |    |    |    |
| SP   |    |    |    |    |    |    |    |    |    |    |    |    |    |    |    |
| <b>LR, type R/W, , reset 0xFFFF.FFFF (see page 49)</b> |    |    |    |    |    |    |    |    |    |    |    |    |    |    |    |
| LINK   |    |    |    |    |    |    |    |    |    |    |    |    |    |    |    |
| LINK   |    |    |    |    |    |    |    |    |    |    |    |    |    |    |    |
| <b>PC, type R/W, , reset - (see page 50)</b>           |    |    |    |    |    |    |    |    |    |    |    |    |    |    |    |
| PC   |    |    |    |    |    |    |    |    |    |    |    |    |    |    |    |
| PC   |    |    |    |    |    |    |    |    |    |    |    |    |    |    |    |



|   |    |    |    |          |          |           |           |           |    |           |           |           |           |           |           |          |         |
|---|----|----|----|----------|----------|-----------|-----------|-----------|----|-----------|-----------|-----------|-----------|-----------|-----------|----------|---------|
| 31  | 30 | 29 | 28 | 27       | 26       | 25        | 24        | 23        | 22 | 21        | 20        | 19        | 18        | 17        | 16        |          |         |
| 15  | 14 | 13 | 12 | 11       | 10       | 9         | 8         | 7         | 6  | 5         | 4         | 3         | 2         | 1         | 0         |          |         |
| <b>PRI2, type R/W, offset 0x408, reset 0x0000.0000</b>    |    |    |    |          |          |           |           |           |    |           |           |           |           |           |           |          |         |
| INTD  |    |    |    |          |          |           |           | INTC      |    |           |           |           |           |           |           |          |         |
| INTB  |    |    |    |          |          |           |           | INTA      |    |           |           |           |           |           |           |          |         |
| <b>PRI3, type R/W, offset 0x40C, reset 0x0000.0000</b>    |    |    |    |          |          |           |           |           |    |           |           |           |           |           |           |          |         |
| INTD  |    |    |    |          |          |           |           | INTC      |    |           |           |           |           |           |           |          |         |
| INTB  |    |    |    |          |          |           |           | INTA      |    |           |           |           |           |           |           |          |         |
| <b>PRI4, type R/W, offset 0x410, reset 0x0000.0000</b>    |    |    |    |          |          |           |           |           |    |           |           |           |           |           |           |          |         |
| INTD  |    |    |    |          |          |           |           | INTC      |    |           |           |           |           |           |           |          |         |
| INTB  |    |    |    |          |          |           |           | INTA      |    |           |           |           |           |           |           |          |         |
| <b>PRI5, type R/W, offset 0x414, reset 0x0000.0000</b>    |    |    |    |          |          |           |           |           |    |           |           |           |           |           |           |          |         |
| INTD  |    |    |    |          |          |           |           | INTC      |    |           |           |           |           |           |           |          |         |
| INTB  |    |    |    |          |          |           |           | INTA      |    |           |           |           |           |           |           |          |         |
| <b>PRI6, type R/W, offset 0x418, reset 0x0000.0000</b>    |    |    |    |          |          |           |           |           |    |           |           |           |           |           |           |          |         |
| INTD  |    |    |    |          |          |           |           | INTC      |    |           |           |           |           |           |           |          |         |
| INTB  |    |    |    |          |          |           |           | INTA      |    |           |           |           |           |           |           |          |         |
| <b>PRI7, type R/W, offset 0x41C, reset 0x0000.0000</b>    |    |    |    |          |          |           |           |           |    |           |           |           |           |           |           |          |         |
| INTD  |    |    |    |          |          |           |           | INTC      |    |           |           |           |           |           |           |          |         |
| INTB  |    |    |    |          |          |           |           | INTA      |    |           |           |           |           |           |           |          |         |
| <b>SWTRIG, type WO, offset 0xF00, reset 0x0000.0000</b>   |    |    |    |          |          |           |           |           |    |           |           |           |           |           |           |          |         |
|   |    |    |    |          |          |           |           |           |    |           |           |           |           | INTID     |           |          |         |
| <b>Cortex-M3 Peripherals</b>                              |    |    |    |          |          |           |           |           |    |           |           |           |           |           |           |          |         |
| <b>System Control Block (SCB) Registers</b>               |    |    |    |          |          |           |           |           |    |           |           |           |           |           |           |          |         |
| Base 0xE000.E000  |    |    |    |          |          |           |           |           |    |           |           |           |           |           |           |          |         |
| <b>CPUID, type RO, offset 0xD00, reset 0x410F.C231</b>    |    |    |    |          |          |           |           |           |    |           |           |           |           |           |           |          |         |
| IMP   |    |    |    | PARTNO   |          |           |           | VAR       |    |           |           | CON       |           |           |           |          |         |
|   |    |    |    |          |          |           |           |           |    |           |           | REV       |           |           |           |          |         |
| <b>INTCTRL, type R/W, offset 0xD04, reset 0x0000.0000</b> |    |    |    |          |          |           |           |           |    |           |           |           |           |           |           |          |         |
| NMISSET   |    |    |    | PENDSV   | UNPENDSV | PENDSTSET | PENDSTCLR |           |    | ISRPRE    | ISRPEND   |           |           |           | VECPEND   |          |         |
| VECPEND   |    |    |    | RETBASE  |          |           |           |           |    | VECACT    |           |           |           |           |           |          |         |
| <b>VTABLE, type R/W, offset 0xD08, reset 0x0000.0000</b>  |    |    |    |          |          |           |           |           |    |           |           |           |           |           |           |          |         |
| BASE  |    |    |    |          |          |           |           | OFFSET    |    |           |           |           |           |           |           |          |         |
|   |    |    |    | OFFSET   |          |           |           |           |    |           |           |           |           |           |           |          |         |
| <b>APINT, type R/W, offset 0xD0C, reset 0xFA05.0000</b>   |    |    |    |          |          |           |           |           |    |           |           |           |           |           |           |          |         |
| VECTKEY   |    |    |    |          |          |           |           |           |    |           |           |           |           |           |           |          |         |
| ENDIANESS   |    |    |    | PRIGROUP |          |           |           |           |    |           |           | SYSRESREQ | VECTQRACT | VECTRESET |           |          |         |
| <b>SYSCTRL, type R/W, offset 0xD10, reset 0x0000.0000</b> |    |    |    |          |          |           |           |           |    |           |           |           |           |           |           |          |         |
|   |    |    |    |          |          |           |           |           |    | SEVONPEND | SLEEPDEEP | SLEEPEXIT |           |           |           |          |         |
| <b>CFGCTRL, type R/W, offset 0xD14, reset 0x0000.0000</b> |    |    |    |          |          |           |           |           |    |           |           |           |           |           |           |          |         |
|   |    |    |    | STKALIGN |          |           |           | BFHFNMIGN |    |           |           |           |           | DIV0      | UNALIGNED | MAINPEND | BASETHR |
| <b>SYSPRI1, type R/W, offset 0xD18, reset 0x0000.0000</b> |    |    |    |          |          |           |           |           |    |           |           |           |           |           |           |          |         |
| BUS   |    |    |    |          |          |           |           | USAGE     |    |           |           |           |           |           |           |          |         |
|   |    |    |    |          |          |           |           | MEM       |    |           |           |           |           |           |           |          |         |
| <b>SYSPRI2, type R/W, offset 0xD1C, reset 0x0000.0000</b> |    |    |    |          |          |           |           |           |    |           |           |           |           |           |           |          |         |
| SVC   |    |    |    |          |          |           |           |           |    |           |           |           |           |           |           |          |         |
| <b>SYSPRI3, type R/W, offset 0xD20, reset 0x0000.0000</b> |    |    |    |          |          |           |           |           |    |           |           |           |           |           |           |          |         |
| TICK  |    |    |    |          |          |           |           | PENDSV    |    |           |           |           |           |           |           |          |         |
|   |    |    |    |          |          |           |           | DEBUG     |    |           |           |           |           |           |           |          |         |

|  |        |      |        |        |       |         |      |       |    |    |       |           |          |         |       |        |
|--|--------|------|--------|--------|-------|---------|------|-------|----|----|-------|-----------|----------|---------|-------|--------|
| 31   | 30     | 29   | 28     | 27     | 26    | 25      | 24   | 23    | 22 | 21 | 20    | 19        | 18       | 17      | 16    |        |
| 15   | 14     | 13   | 12     | 11     | 10    | 9       | 8    | 7     | 6  | 5  | 4     | 3         | 2        | 1       | 0     |        |
| <b>SYSHNDCTRL, type R/W, offset 0xD24, reset 0x0000.0000</b>   |        |      |        |        |       |         |      |       |    |    |       |           |          |         |       |        |
|  |        |      |        |        |       |         |      |       |    |    |       | USAGE     | BUS      | MEM     |       |        |
| SVC  | BUSP   | MEMP | USAGEP | TICK   | PNDSV |         | MON  | SVCA  |    |    |       | USGA      |          | BUSA    | MEMA  |        |
| <b>FAULTSTAT, type R/W1C, offset 0xD28, reset 0x0000.0000</b>  |        |      |        |        |       |         |      |       |    |    |       |           |          |         |       |        |
|  |        |      |        |        |       |         |      |       |    |    |       | NOCP      | INVPC    | INVSTAT | UNDEF |        |
| BFARV  |        |      | BSTKE  | BUSTKE | IMPRE | PRECISE | IBUS | MMARV |    |    | MSTKE | MUSTKE    |          | DERR    | IERR  |        |
| <b>HFAULTSTAT, type R/W1C, offset 0xD2C, reset 0x0000.0000</b> |        |      |        |        |       |         |      |       |    |    |       |           |          |         |       |        |
| DBG  | FORCED |      |        |        |       |         |      |       |    |    |       |           |          | VECT    |       |        |
| <b>MMADDR, type R/W, offset 0xD34, reset -</b>                 |        |      |        |        |       |         |      |       |    |    |       |           |          |         |       |        |
|  |        |      |        |        |       |         |      |       |    |    |       | ADDR      |          |         |       |        |
|  |        |      |        |        |       |         |      |       |    |    |       | ADDR      |          |         |       |        |
| <b>FAULTADDR, type R/W, offset 0xD38, reset -</b>              |        |      |        |        |       |         |      |       |    |    |       |           |          |         |       |        |
|  |        |      |        |        |       |         |      |       |    |    |       | ADDR      |          |         |       |        |
|  |        |      |        |        |       |         |      |       |    |    |       | ADDR      |          |         |       |        |
| <b>Cortex-M3 Peripherals</b>                                   |        |      |        |        |       |         |      |       |    |    |       |           |          |         |       |        |
| <b>Memory Protection Unit (MPU) Registers</b>                  |        |      |        |        |       |         |      |       |    |    |       |           |          |         |       |        |
| Base 0xE000.E000   |        |      |        |        |       |         |      |       |    |    |       |           |          |         |       |        |
| <b>MPUTYPE, type RO, offset 0xD90, reset 0x0000.0800</b>       |        |      |        |        |       |         |      |       |    |    |       |           |          |         |       |        |
|  |        |      |        |        |       |         |      |       |    |    |       | IREGION   |          |         |       |        |
| DREGION  |        |      |        |        |       |         |      |       |    |    |       | SEPARATE  |          |         |       |        |
| <b>MPUCTRL, type R/W, offset 0xD94, reset 0x0000.0000</b>      |        |      |        |        |       |         |      |       |    |    |       |           |          |         |       |        |
|  |        |      |        |        |       |         |      |       |    |    |       | PRIVDEFEN | HFNMIENA | ENABLE  |       |        |
| <b>MPUNUMBER, type R/W, offset 0xD98, reset 0x0000.0000</b>    |        |      |        |        |       |         |      |       |    |    |       |           |          |         |       |        |
|  |        |      |        |        |       |         |      |       |    |    |       | NUMBER    |          |         |       |        |
| <b>MPUBASE, type R/W, offset 0xD9C, reset 0x0000.0000</b>      |        |      |        |        |       |         |      |       |    |    |       |           |          |         |       |        |
|  |        |      |        |        |       |         |      |       |    |    |       | ADDR      |          |         |       |        |
| ADDR   |        |      |        |        |       |         |      |       |    |    |       | VALID     |          | REGION  |       |        |
| <b>MPUBASE1, type R/W, offset 0xDA4, reset 0x0000.0000</b>     |        |      |        |        |       |         |      |       |    |    |       |           |          |         |       |        |
|  |        |      |        |        |       |         |      |       |    |    |       | ADDR      |          |         |       |        |
| ADDR   |        |      |        |        |       |         |      |       |    |    |       | VALID     |          | REGION  |       |        |
| <b>MPUBASE2, type R/W, offset 0xDAC, reset 0x0000.0000</b>     |        |      |        |        |       |         |      |       |    |    |       |           |          |         |       |        |
|  |        |      |        |        |       |         |      |       |    |    |       | ADDR      |          |         |       |        |
| ADDR   |        |      |        |        |       |         |      |       |    |    |       | VALID     |          | REGION  |       |        |
| <b>MPUBASE3, type R/W, offset 0xDB4, reset 0x0000.0000</b>     |        |      |        |        |       |         |      |       |    |    |       |           |          |         |       |        |
|  |        |      |        |        |       |         |      |       |    |    |       | ADDR      |          |         |       |        |
| ADDR   |        |      |        |        |       |         |      |       |    |    |       | VALID     |          | REGION  |       |        |
| <b>MPUATTR, type R/W, offset 0xDA0, reset 0x0000.0000</b>      |        |      |        |        |       |         |      |       |    |    |       |           |          |         |       |        |
|  |        |      |        | XN     |       |         | AP   |       |    |    | TEX   |           | S        | C       | B     |        |
| SRD  |        |      |        |        |       |         |      |       |    |    |       | SIZE      |          |         |       | ENABLE |
| <b>MPUATTR1, type R/W, offset 0xDA8, reset 0x0000.0000</b>     |        |      |        |        |       |         |      |       |    |    |       |           |          |         |       |        |
|  |        |      |        | XN     |       |         | AP   |       |    |    | TEX   |           | S        | C       | B     |        |
| SRD  |        |      |        |        |       |         |      |       |    |    |       | SIZE      |          |         |       | ENABLE |
| <b>MPUATTR2, type R/W, offset 0xDB0, reset 0x0000.0000</b>     |        |      |        |        |       |         |      |       |    |    |       |           |          |         |       |        |
|  |        |      |        | XN     |       |         | AP   |       |    |    | TEX   |           | S        | C       | B     |        |
| SRD  |        |      |        |        |       |         |      |       |    |    |       | SIZE      |          |         |       | ENABLE |
| <b>MPUATTR3, type R/W, offset 0xDB8, reset 0x0000.0000</b>     |        |      |        |        |       |         |      |       |    |    |       |           |          |         |       |        |
|  |        |      |        | XN     |       |         | AP   |       |    |    | TEX   |           | S        | C       | B     |        |
| SRD  |        |      |        |        |       |         |      |       |    |    |       | SIZE      |          |         |       | ENABLE |

|  |    |        |    |         |    |        |    |         |    |          |    |           |    |          |    |          |  |         |  |         |  |      |  |      |  |      |  |      |  |
|--|----|--------|----|---------|----|--------|----|---------|----|----------|----|-----------|----|----------|----|----------|--|---------|--|---------|--|------|--|------|--|------|--|------|--|
| 31   | 30 | 29     | 28 | 27      | 26 | 25     | 24 | 23      | 22 | 21       | 20 | 19        | 18 | 17       | 16 |          |  |         |  |         |  |      |  |      |  |      |  |      |  |
| 15   | 14 | 13     | 12 | 11      | 10 | 9      | 8  | 7       | 6  | 5        | 4  | 3         | 2  | 1        | 0  |          |  |         |  |         |  |      |  |      |  |      |  |      |  |
| <b>System Control</b>  |    |        |    |         |    |        |    |         |    |          |    |           |    |          |    |          |  |         |  |         |  |      |  |      |  |      |  |      |  |
| Base 0x400F.E000   |    |        |    |         |    |        |    |         |    |          |    |           |    |          |    |          |  |         |  |         |  |      |  |      |  |      |  |      |  |
| <b>DID0, type RO, offset 0x000, reset - (see page 163)</b>                 |    |        |    |         |    |        |    |         |    |          |    |           |    |          |    |          |  |         |  |         |  |      |  |      |  |      |  |      |  |
| VER  |    |        |    | MAJOR   |    |        |    | MINOR   |    |          |    |           |    |          |    |          |  |         |  |         |  |      |  |      |  |      |  |      |  |
| <b>PBORCTL, type R/W, offset 0x030, reset 0x0000.7FFD (see page 165)</b>   |    |        |    |         |    |        |    |         |    |          |    |           |    |          |    |          |  |         |  |         |  |      |  |      |  |      |  |      |  |
| BORTIM   |    |        |    |         |    |        |    |         |    |          |    | BORIOR    |    | BORWT    |    |          |  |         |  |         |  |      |  |      |  |      |  |      |  |
| <b>LDOPTL, type R/W, offset 0x034, reset 0x0000.0000 (see page 166)</b>    |    |        |    |         |    |        |    |         |    |          |    |           |    |          |    |          |  |         |  |         |  |      |  |      |  |      |  |      |  |
|  |    |        |    |         |    |        |    |         |    |          |    | VADJ      |    |          |    |          |  |         |  |         |  |      |  |      |  |      |  |      |  |
| <b>RIS, type RO, offset 0x050, reset 0x0000.0000 (see page 167)</b>        |    |        |    |         |    |        |    |         |    |          |    |           |    |          |    |          |  |         |  |         |  |      |  |      |  |      |  |      |  |
|  |    |        |    |         |    |        |    | PLLRIS  |    | CLRIS    |    | IOFRIS    |    | MOFRIS   |    | LDORIS   |  | BORRIS  |  | PLFRIS  |  |      |  |      |  |      |  |      |  |
| <b>IMC, type R/W, offset 0x054, reset 0x0000.0000 (see page 168)</b>       |    |        |    |         |    |        |    |         |    |          |    |           |    |          |    |          |  |         |  |         |  |      |  |      |  |      |  |      |  |
|  |    |        |    |         |    |        |    | PLLLIM  |    | CLIM     |    | IOFIM     |    | MOFIM    |    | LDOIM    |  | BORIM   |  | PLLFIM  |  |      |  |      |  |      |  |      |  |
| <b>MISC, type R/W1C, offset 0x058, reset 0x0000.0000 (see page 169)</b>    |    |        |    |         |    |        |    |         |    |          |    |           |    |          |    |          |  |         |  |         |  |      |  |      |  |      |  |      |  |
|  |    |        |    |         |    |        |    | PLLLMIS |    | CLMIS    |    | IOFMIS    |    | MOFMIS   |    | LDOMIS   |  | BORMIS  |  |         |  |      |  |      |  |      |  |      |  |
| <b>RESC, type R/W, offset 0x05C, reset - (see page 170)</b>                |    |        |    |         |    |        |    |         |    |          |    |           |    |          |    |          |  |         |  |         |  |      |  |      |  |      |  |      |  |
|  |    |        |    |         |    |        |    | LDO     |    | SW       |    | WDT       |    | BOR      |    | POR      |  | EXT     |  |         |  |      |  |      |  |      |  |      |  |
| <b>RCC, type R/W, offset 0x060, reset 0x078E.3AC0 (see page 171)</b>       |    |        |    |         |    |        |    |         |    |          |    |           |    |          |    |          |  |         |  |         |  |      |  |      |  |      |  |      |  |
|  |    |        |    | ACG     |    | SYSDIV |    |         |    | USESYSIV |    | USEPWMDIV |    | PWMDIV   |    |          |  |         |  |         |  |      |  |      |  |      |  |      |  |
| PWRDN  |    | OEN    |    | BYPASS  |    | PLLVER |    | XTAL    |    |          |    | OSCSRC    |    | IOSCOVER |    | MOSCOVER |  | IOSCDIS |  | MOSCDIS |  |      |  |      |  |      |  |      |  |
| <b>PLLCFG, type RO, offset 0x064, reset - (see page 175)</b>               |    |        |    |         |    |        |    |         |    |          |    |           |    |          |    |          |  |         |  |         |  |      |  |      |  |      |  |      |  |
| OD   |    |        |    | F       |    |        |    | R       |    |          |    |           |    |          |    |          |  |         |  |         |  |      |  |      |  |      |  |      |  |
| <b>DSLCLKCFG, type R/W, offset 0x144, reset 0x0780.0000 (see page 176)</b> |    |        |    |         |    |        |    |         |    |          |    |           |    |          |    |          |  |         |  |         |  |      |  |      |  |      |  |      |  |
|  |    |        |    |         |    |        |    |         |    |          |    | IOSC      |    |          |    |          |  |         |  |         |  |      |  |      |  |      |  |      |  |
| <b>CLKVCLR, type R/W, offset 0x150, reset 0x0000.0000 (see page 177)</b>   |    |        |    |         |    |        |    |         |    |          |    |           |    |          |    |          |  |         |  |         |  |      |  |      |  |      |  |      |  |
|  |    |        |    |         |    |        |    |         |    |          |    | VERCLR    |    |          |    |          |  |         |  |         |  |      |  |      |  |      |  |      |  |
| <b>LDOARST, type R/W, offset 0x160, reset 0x0000.0000 (see page 178)</b>   |    |        |    |         |    |        |    |         |    |          |    |           |    |          |    |          |  |         |  |         |  |      |  |      |  |      |  |      |  |
|  |    |        |    |         |    |        |    |         |    |          |    | LDOARST   |    |          |    |          |  |         |  |         |  |      |  |      |  |      |  |      |  |
| <b>DID1, type RO, offset 0x004, reset - (see page 179)</b>                 |    |        |    |         |    |        |    |         |    |          |    |           |    |          |    |          |  |         |  |         |  |      |  |      |  |      |  |      |  |
| VER  |    |        |    | FAM     |    |        |    | PARTNO  |    |          |    |           |    |          |    |          |  |         |  |         |  |      |  |      |  |      |  |      |  |
|  |    |        |    |         |    |        |    | TEMP    |    | PKG      |    | ROHS      |    | QUAL     |    |          |  |         |  |         |  |      |  |      |  |      |  |      |  |
| <b>DC0, type RO, offset 0x008, reset 0x000F.0007 (see page 181)</b>        |    |        |    |         |    |        |    |         |    |          |    |           |    |          |    |          |  |         |  |         |  |      |  |      |  |      |  |      |  |
| SRAMSZ   |    |        |    |         |    |        |    |         |    |          |    | FLASHSZ   |    |          |    |          |  |         |  |         |  |      |  |      |  |      |  |      |  |
| <b>DC1, type RO, offset 0x010, reset 0x0010.709F (see page 182)</b>        |    |        |    |         |    |        |    |         |    |          |    |           |    |          |    |          |  |         |  |         |  |      |  |      |  |      |  |      |  |
| MINSYSIV   |    |        |    |         |    |        |    | MPU     |    | PWM      |    | WDT       |    | SWO      |    | SWD      |  | JTAG    |  |         |  |      |  |      |  |      |  |      |  |
| <b>DC2, type RO, offset 0x014, reset 0x0707.0013 (see page 184)</b>        |    |        |    |         |    |        |    |         |    |          |    |           |    |          |    |          |  |         |  |         |  |      |  |      |  |      |  |      |  |
|  |    |        |    | COMP2   |    | COMP1  |    | COMP0   |    |          |    |           |    | TIMER2   |    | TIMER1   |  | TIMER0  |  |         |  |      |  |      |  |      |  |      |  |
|  |    |        |    |         |    |        |    | SSIO    |    |          |    | UART1     |    | UART0    |    |          |  |         |  |         |  |      |  |      |  |      |  |      |  |
| <b>DC3, type RO, offset 0x018, reset 0xBF00.7FFF (see page 186)</b>        |    |        |    |         |    |        |    |         |    |          |    |           |    |          |    |          |  |         |  |         |  |      |  |      |  |      |  |      |  |
| 32KHZ  |    | CCP5   |    | CCP4    |    | CCP3   |    | CCP2    |    | CCP1     |    | CCP0      |    |          |    |          |  |         |  |         |  |      |  |      |  |      |  |      |  |
| C2O  |    | C2PLUS |    | C2MINUS |    | C1O    |    | C1PLUS  |    | C1MINUS  |    | C0O       |    | C0PLUS   |    | C0MINUS  |  | PWM5    |  | PWM4    |  | PWM3 |  | PWM2 |  | PWM1 |  | PWM0 |  |

|   |    |    |    |       |       |       |    |    |    |    |      |        |        |        |       |       |
|---|----|----|----|-------|-------|-------|----|----|----|----|------|--------|--------|--------|-------|-------|
| 31  | 30 | 29 | 28 | 27    | 26    | 25    | 24 | 23 | 22 | 21 | 20   | 19     | 18     | 17     | 16    |       |
| 15  | 14 | 13 | 12 | 11    | 10    | 9     | 8  | 7  | 6  | 5  | 4    | 3      | 2      | 1      | 0     |       |
| <b>DC4, type RO, offset 0x01C, reset 0x0000.001F (see page 188)</b>   |    |    |    |       |       |       |    |    |    |    |      |        |        |        |       |       |
|   |    |    |    |       |       |       |    |    |    |    |      | GPIOE  | GPIOD  | GPIOC  | GPIOB | GPIOA |
| <b>RCGC0, type R/W, offset 0x100, reset 0x00000040 (see page 189)</b> |    |    |    |       |       |       |    |    |    |    |      |        |        |        |       |       |
|   |    |    |    |       |       |       |    |    |    |    |      | PWM    | WDT    |        |       |       |
| <b>SCGC0, type R/W, offset 0x110, reset 0x00000040 (see page 190)</b> |    |    |    |       |       |       |    |    |    |    |      |        |        |        |       |       |
|   |    |    |    |       |       |       |    |    |    |    |      | PWM    | WDT    |        |       |       |
| <b>DCGC0, type R/W, offset 0x120, reset 0x00000040 (see page 191)</b> |    |    |    |       |       |       |    |    |    |    |      |        |        |        |       |       |
|   |    |    |    |       |       |       |    |    |    |    |      | PWM    | WDT    |        |       |       |
| <b>RCGC1, type R/W, offset 0x104, reset 0x00000000 (see page 192)</b> |    |    |    |       |       |       |    |    |    |    |      |        |        |        |       |       |
|   |    |    |    | COMP2 | COMP1 | COMP0 |    |    |    |    | SSIO | TIMER2 | TIMER1 | TIMER0 |       |       |
|   |    |    |    |       |       |       |    |    |    |    |      | UART1  | UART0  |        |       |       |
| <b>SCGC1, type R/W, offset 0x114, reset 0x00000000 (see page 194)</b> |    |    |    |       |       |       |    |    |    |    |      |        |        |        |       |       |
|   |    |    |    | COMP2 | COMP1 | COMP0 |    |    |    |    | SSIO | TIMER2 | TIMER1 | TIMER0 |       |       |
|   |    |    |    |       |       |       |    |    |    |    |      | UART1  | UART0  |        |       |       |
| <b>DCGC1, type R/W, offset 0x124, reset 0x00000000 (see page 196)</b> |    |    |    |       |       |       |    |    |    |    |      |        |        |        |       |       |
|   |    |    |    | COMP2 | COMP1 | COMP0 |    |    |    |    | SSIO | TIMER2 | TIMER1 | TIMER0 |       |       |
|   |    |    |    |       |       |       |    |    |    |    |      | UART1  | UART0  |        |       |       |
| <b>RCGC2, type R/W, offset 0x108, reset 0x00000000 (see page 198)</b> |    |    |    |       |       |       |    |    |    |    |      |        |        |        |       |       |
|   |    |    |    |       |       |       |    |    |    |    |      | GPIOE  | GPIOD  | GPIOC  | GPIOB | GPIOA |
| <b>SCGC2, type R/W, offset 0x118, reset 0x00000000 (see page 199)</b> |    |    |    |       |       |       |    |    |    |    |      |        |        |        |       |       |
|   |    |    |    |       |       |       |    |    |    |    |      | GPIOE  | GPIOD  | GPIOC  | GPIOB | GPIOA |
| <b>DCGC2, type R/W, offset 0x128, reset 0x00000000 (see page 201)</b> |    |    |    |       |       |       |    |    |    |    |      |        |        |        |       |       |
|   |    |    |    |       |       |       |    |    |    |    |      | GPIOE  | GPIOD  | GPIOC  | GPIOB | GPIOA |
| <b>SRCR0, type R/W, offset 0x040, reset 0x00000000 (see page 203)</b> |    |    |    |       |       |       |    |    |    |    |      |        |        |        |       |       |
|   |    |    |    |       |       |       |    |    |    |    |      | PWM    | WDT    |        |       |       |
| <b>SRCR1, type R/W, offset 0x044, reset 0x00000000 (see page 204)</b> |    |    |    |       |       |       |    |    |    |    |      |        |        |        |       |       |
|   |    |    |    | COMP2 | COMP1 | COMP0 |    |    |    |    | SSIO | TIMER2 | TIMER1 | TIMER0 |       |       |
|   |    |    |    |       |       |       |    |    |    |    |      | UART1  | UART0  |        |       |       |
| <b>SRCR2, type R/W, offset 0x048, reset 0x00000000 (see page 206)</b> |    |    |    |       |       |       |    |    |    |    |      |        |        |        |       |       |
|   |    |    |    |       |       |       |    |    |    |    |      | GPIOE  | GPIOD  | GPIOC  | GPIOB | GPIOA |
| <b>Internal Memory</b>  |    |    |    |       |       |       |    |    |    |    |      |        |        |        |       |       |
| <b>Flash Memory Control Registers (Flash Control Offset)</b>          |    |    |    |       |       |       |    |    |    |    |      |        |        |        |       |       |
| Base 0x400F.D000  |    |    |    |       |       |       |    |    |    |    |      |        |        |        |       |       |
| <b>FMA, type R/W, offset 0x000, reset 0x0000.0000</b>                 |    |    |    |       |       |       |    |    |    |    |      |        |        |        |       |       |
|   |    |    |    |       |       |       |    |    |    |    |      | OFFSET |        |        |       |       |
| <b>FMD, type R/W, offset 0x004, reset 0x0000.0000</b>                 |    |    |    |       |       |       |    |    |    |    |      |        |        |        |       |       |
|   |    |    |    |       |       |       |    |    |    |    |      | DATA   |        |        |       |       |
|   |    |    |    |       |       |       |    |    |    |    |      | DATA   |        |        |       |       |
| <b>FMC, type R/W, offset 0x008, reset 0x0000.0000</b>                 |    |    |    |       |       |       |    |    |    |    |      |        |        |        |       |       |
|   |    |    |    |       |       |       |    |    |    |    |      | WRKEY  |        |        |       |       |
|   |    |    |    |       |       |       |    |    |    |    |      | COMT   | MERASE | ERASE  | WRITE |       |

|   |    |    |    |             |    |    |    |    |    |    |    |    |    |       |       |
|---|----|----|----|-------------|----|----|----|----|----|----|----|----|----|-------|-------|
| 31  | 30 | 29 | 28 | 27          | 26 | 25 | 24 | 23 | 22 | 21 | 20 | 19 | 18 | 17    | 16    |
| 15  | 14 | 13 | 12 | 11          | 10 | 9  | 8  | 7  | 6  | 5  | 4  | 3  | 2  | 1     | 0     |
| <b>FCRIS, type RO, offset 0x00C, reset 0x0000.0000</b>                    |    |    |    |             |    |    |    |    |    |    |    |    |    |       |       |
|   |    |    |    |             |    |    |    |    |    |    |    |    |    | PRIS  | ARIS  |
| <b>FCIM, type R/W, offset 0x010, reset 0x0000.0000</b>                    |    |    |    |             |    |    |    |    |    |    |    |    |    |       |       |
|   |    |    |    |             |    |    |    |    |    |    |    |    |    | PMASK | AMASK |
| <b>FCMISC, type R/W1C, offset 0x014, reset 0x0000.0000</b>                |    |    |    |             |    |    |    |    |    |    |    |    |    |       |       |
|   |    |    |    |             |    |    |    |    |    |    |    |    |    | PMISC | AMISC |
| <b>Internal Memory</b>  |    |    |    |             |    |    |    |    |    |    |    |    |    |       |       |
| <b>Flash Memory Protection Registers (System Control Offset)</b>          |    |    |    |             |    |    |    |    |    |    |    |    |    |       |       |
| Base 0x400F.E000  |    |    |    |             |    |    |    |    |    |    |    |    |    |       |       |
| <b>USECRL, type R/W, offset 0x140, reset 0x18</b>                         |    |    |    |             |    |    |    |    |    |    |    |    |    |       |       |
|   |    |    |    |             |    |    |    |    |    |    |    |    |    | USEC  |       |
| <b>FMPRE, type R/W, offset 0x130, reset 0x8000.00FF</b>                   |    |    |    |             |    |    |    |    |    |    |    |    |    |       |       |
| DBG   |    |    |    | READ_ENABLE |    |    |    |    |    |    |    |    |    |       |       |
| READ_ENABLE   |    |    |    |             |    |    |    |    |    |    |    |    |    |       |       |
| <b>FMPPE, type R/W, offset 0x134, reset 0x0000.00FF</b>                   |    |    |    |             |    |    |    |    |    |    |    |    |    |       |       |
| PROG_ENABLE   |    |    |    |             |    |    |    |    |    |    |    |    |    |       |       |
| PROG_ENABLE   |    |    |    |             |    |    |    |    |    |    |    |    |    |       |       |
| <b>General-Purpose Input/Outputs (GPIOs)</b>                              |    |    |    |             |    |    |    |    |    |    |    |    |    |       |       |
| GPIO Port A base: 0x4000.4000   |    |    |    |             |    |    |    |    |    |    |    |    |    |       |       |
| GPIO Port B base: 0x4000.5000   |    |    |    |             |    |    |    |    |    |    |    |    |    |       |       |
| GPIO Port C base: 0x4000.6000   |    |    |    |             |    |    |    |    |    |    |    |    |    |       |       |
| GPIO Port D base: 0x4000.7000   |    |    |    |             |    |    |    |    |    |    |    |    |    |       |       |
| GPIO Port E base: 0x4002.4000   |    |    |    |             |    |    |    |    |    |    |    |    |    |       |       |
| <b>GPIODATA, type R/W, offset 0x000, reset 0x0000.0000 (see page 236)</b> |    |    |    |             |    |    |    |    |    |    |    |    |    |       |       |
|   |    |    |    |             |    |    |    |    |    |    |    |    |    | DATA  |       |
| <b>GPDIR, type R/W, offset 0x400, reset 0x0000.0000 (see page 237)</b>    |    |    |    |             |    |    |    |    |    |    |    |    |    |       |       |
|   |    |    |    |             |    |    |    |    |    |    |    |    |    | DIR   |       |
| <b>GPIOIS, type R/W, offset 0x404, reset 0x0000.0000 (see page 238)</b>   |    |    |    |             |    |    |    |    |    |    |    |    |    |       |       |
|   |    |    |    |             |    |    |    |    |    |    |    |    |    | IS    |       |
| <b>GPIOIBE, type R/W, offset 0x408, reset 0x0000.0000 (see page 239)</b>  |    |    |    |             |    |    |    |    |    |    |    |    |    |       |       |
|   |    |    |    |             |    |    |    |    |    |    |    |    |    | IBE   |       |
| <b>GPIOIEV, type R/W, offset 0x40C, reset 0x0000.0000 (see page 240)</b>  |    |    |    |             |    |    |    |    |    |    |    |    |    |       |       |
|   |    |    |    |             |    |    |    |    |    |    |    |    |    | IEV   |       |
| <b>GPIOIM, type R/W, offset 0x410, reset 0x0000.0000 (see page 241)</b>   |    |    |    |             |    |    |    |    |    |    |    |    |    |       |       |
|   |    |    |    |             |    |    |    |    |    |    |    |    |    | IME   |       |
| <b>GPORIS, type RO, offset 0x414, reset 0x0000.0000 (see page 242)</b>    |    |    |    |             |    |    |    |    |    |    |    |    |    |       |       |
|   |    |    |    |             |    |    |    |    |    |    |    |    |    | RIS   |       |
| <b>GPOMIS, type RO, offset 0x418, reset 0x0000.0000 (see page 243)</b>    |    |    |    |             |    |    |    |    |    |    |    |    |    |       |       |
|   |    |    |    |             |    |    |    |    |    |    |    |    |    | MIS   |       |
| <b>GPIOICR, type W1C, offset 0x41C, reset 0x0000.0000 (see page 244)</b>  |    |    |    |             |    |    |    |    |    |    |    |    |    |       |       |
|   |    |    |    |             |    |    |    |    |    |    |    |    |    | IC    |       |

|  |    |    |    |    |    |    |    |    |    |    |    |    |    |    |    |
|--|----|----|----|----|----|----|----|----|----|----|----|----|----|----|----|
| 31   | 30 | 29 | 28 | 27 | 26 | 25 | 24 | 23 | 22 | 21 | 20 | 19 | 18 | 17 | 16 |
| 15   | 14 | 13 | 12 | 11 | 10 | 9  | 8  | 7  | 6  | 5  | 4  | 3  | 2  | 1  | 0  |
| GPIOAFSEL, type R/W, offset 0x420, reset - (see page 245)              |    |    |    |    |    |    |    |    |    |    |    |    |    |    |    |
| AFSEL  |    |    |    |    |    |    |    |    |    |    |    |    |    |    |    |
| GPIODR2R, type R/W, offset 0x500, reset 0x0000.00FF (see page 247)     |    |    |    |    |    |    |    |    |    |    |    |    |    |    |    |
| DRV2   |    |    |    |    |    |    |    |    |    |    |    |    |    |    |    |
| GPIODR4R, type R/W, offset 0x504, reset 0x0000.0000 (see page 248)     |    |    |    |    |    |    |    |    |    |    |    |    |    |    |    |
| DRV4   |    |    |    |    |    |    |    |    |    |    |    |    |    |    |    |
| GPIODR8R, type R/W, offset 0x508, reset 0x0000.0000 (see page 249)     |    |    |    |    |    |    |    |    |    |    |    |    |    |    |    |
| DRV8   |    |    |    |    |    |    |    |    |    |    |    |    |    |    |    |
| GPIOODR, type R/W, offset 0x50C, reset 0x0000.0000 (see page 250)      |    |    |    |    |    |    |    |    |    |    |    |    |    |    |    |
| ODE  |    |    |    |    |    |    |    |    |    |    |    |    |    |    |    |
| GPIOPUR, type R/W, offset 0x510, reset 0x0000.00FF (see page 251)      |    |    |    |    |    |    |    |    |    |    |    |    |    |    |    |
| PUE  |    |    |    |    |    |    |    |    |    |    |    |    |    |    |    |
| GPIOPDR, type R/W, offset 0x514, reset 0x0000.0000 (see page 252)      |    |    |    |    |    |    |    |    |    |    |    |    |    |    |    |
| PDE  |    |    |    |    |    |    |    |    |    |    |    |    |    |    |    |
| GPIOSLR, type R/W, offset 0x518, reset 0x0000.0000 (see page 253)      |    |    |    |    |    |    |    |    |    |    |    |    |    |    |    |
| SRL  |    |    |    |    |    |    |    |    |    |    |    |    |    |    |    |
| GPIODEN, type R/W, offset 0x51C, reset 0x0000.00FF (see page 254)      |    |    |    |    |    |    |    |    |    |    |    |    |    |    |    |
| DEN  |    |    |    |    |    |    |    |    |    |    |    |    |    |    |    |
| GPIOPeriphID4, type RO, offset 0xFD0, reset 0x0000.0000 (see page 255) |    |    |    |    |    |    |    |    |    |    |    |    |    |    |    |
| PID4   |    |    |    |    |    |    |    |    |    |    |    |    |    |    |    |
| GPIOPeriphID5, type RO, offset 0xFD4, reset 0x0000.0000 (see page 256) |    |    |    |    |    |    |    |    |    |    |    |    |    |    |    |
| PID5   |    |    |    |    |    |    |    |    |    |    |    |    |    |    |    |
| GPIOPeriphID6, type RO, offset 0xFD8, reset 0x0000.0000 (see page 257) |    |    |    |    |    |    |    |    |    |    |    |    |    |    |    |
| PID6   |    |    |    |    |    |    |    |    |    |    |    |    |    |    |    |
| GPIOPeriphID7, type RO, offset 0xFDC, reset 0x0000.0000 (see page 258) |    |    |    |    |    |    |    |    |    |    |    |    |    |    |    |
| PID7   |    |    |    |    |    |    |    |    |    |    |    |    |    |    |    |
| GPIOPeriphID0, type RO, offset 0xFE0, reset 0x0000.0061 (see page 259) |    |    |    |    |    |    |    |    |    |    |    |    |    |    |    |
| PID0   |    |    |    |    |    |    |    |    |    |    |    |    |    |    |    |
| GPIOPeriphID1, type RO, offset 0xFE4, reset 0x0000.0000 (see page 260) |    |    |    |    |    |    |    |    |    |    |    |    |    |    |    |
| PID1   |    |    |    |    |    |    |    |    |    |    |    |    |    |    |    |
| GPIOPeriphID2, type RO, offset 0xFE8, reset 0x0000.0018 (see page 261) |    |    |    |    |    |    |    |    |    |    |    |    |    |    |    |
| PID2   |    |    |    |    |    |    |    |    |    |    |    |    |    |    |    |
| GPIOPeriphID3, type RO, offset 0xFEC, reset 0x0000.0001 (see page 262) |    |    |    |    |    |    |    |    |    |    |    |    |    |    |    |
| PID3   |    |    |    |    |    |    |    |    |    |    |    |    |    |    |    |

|  |    |    |    |    |    |    |    |    |    |    |    |    |    |    |    |
|--|----|----|----|----|----|----|----|----|----|----|----|----|----|----|----|
| 31   | 30 | 29 | 28 | 27 | 26 | 25 | 24 | 23 | 22 | 21 | 20 | 19 | 18 | 17 | 16 |
| 15   | 14 | 13 | 12 | 11 | 10 | 9  | 8  | 7  | 6  | 5  | 4  | 3  | 2  | 1  | 0  |
| GPIOPCellID0, type RO, offset 0xFF0, reset 0x0000.000D (see page 263)  |    |    |    |    |    |    |    |    |    |    |    |    |    |    |    |
| CID0   |    |    |    |    |    |    |    |    |    |    |    |    |    |    |    |
| GPIOPCellID1, type RO, offset 0xFF4, reset 0x0000.00F0 (see page 264)  |    |    |    |    |    |    |    |    |    |    |    |    |    |    |    |
| CID1   |    |    |    |    |    |    |    |    |    |    |    |    |    |    |    |
| GPIOPCellID2, type RO, offset 0xFF8, reset 0x0000.0005 (see page 265)  |    |    |    |    |    |    |    |    |    |    |    |    |    |    |    |
| CID2   |    |    |    |    |    |    |    |    |    |    |    |    |    |    |    |
| GPIOPCellID3, type RO, offset 0xFFC, reset 0x0000.00B1 (see page 266)  |    |    |    |    |    |    |    |    |    |    |    |    |    |    |    |
| CID3   |    |    |    |    |    |    |    |    |    |    |    |    |    |    |    |
| <b>General-Purpose Timers</b>  |    |    |    |    |    |    |    |    |    |    |    |    |    |    |    |
| Timer0 base: 0x4003.0000   |    |    |    |    |    |    |    |    |    |    |    |    |    |    |    |
| Timer1 base: 0x4003.1000   |    |    |    |    |    |    |    |    |    |    |    |    |    |    |    |
| Timer2 base: 0x4003.2000   |    |    |    |    |    |    |    |    |    |    |    |    |    |    |    |
| GPTMCFG, type R/W, offset 0x000, reset 0x0000.0000 (see page 279)      |    |    |    |    |    |    |    |    |    |    |    |    |    |    |    |
| GPTMCFG  |    |    |    |    |    |    |    |    |    |    |    |    |    |    |    |
| GPTMTAMR, type R/W, offset 0x004, reset 0x0000.0000 (see page 280)     |    |    |    |    |    |    |    |    |    |    |    |    |    |    |    |
| TAAMS TACMR TAMR   |    |    |    |    |    |    |    |    |    |    |    |    |    |    |    |
| GPTMTBMR, type R/W, offset 0x008, reset 0x0000.0000 (see page 282)     |    |    |    |    |    |    |    |    |    |    |    |    |    |    |    |
| TBAMS TBCMR TBMR   |    |    |    |    |    |    |    |    |    |    |    |    |    |    |    |
| GPTMCTL, type R/W, offset 0x00C, reset 0x0000.0000 (see page 284)      |    |    |    |    |    |    |    |    |    |    |    |    |    |    |    |
| TBPWML TBEVENT TBSTALL TBEN TAPWML RTCEN TAEVENT TASTALL TAEN          |    |    |    |    |    |    |    |    |    |    |    |    |    |    |    |
| GPTMIMR, type R/W, offset 0x018, reset 0x0000.0000 (see page 287)      |    |    |    |    |    |    |    |    |    |    |    |    |    |    |    |
| CBEIM CBMIM TBTOIM RTCIM CAEIM CAMIM TATOIM                            |    |    |    |    |    |    |    |    |    |    |    |    |    |    |    |
| GPTMRIS, type RO, offset 0x01C, reset 0x0000.0000 (see page 289)       |    |    |    |    |    |    |    |    |    |    |    |    |    |    |    |
| CBERIS CBMRIS TBTORIS RTCRIS CAERIS CAMRIS TATORIS                     |    |    |    |    |    |    |    |    |    |    |    |    |    |    |    |
| GPTMMIS, type RO, offset 0x020, reset 0x0000.0000 (see page 290)       |    |    |    |    |    |    |    |    |    |    |    |    |    |    |    |
| CBEMIS CBMMIS TBTOMIS RTCMIS CAEMIS CAMMIS TATOMIS                     |    |    |    |    |    |    |    |    |    |    |    |    |    |    |    |
| GPTMICR, type W1C, offset 0x024, reset 0x0000.0000 (see page 291)      |    |    |    |    |    |    |    |    |    |    |    |    |    |    |    |
| CBECINT CBMCINT TBTOCINT RTCCINT CAECINT CAMCINT TATOCINT              |    |    |    |    |    |    |    |    |    |    |    |    |    |    |    |
| GPTMTAILR, type R/W, offset 0x028, reset 0xFFFF.FFFF (see page 293)    |    |    |    |    |    |    |    |    |    |    |    |    |    |    |    |
| TAILRH   |    |    |    |    |    |    |    |    |    |    |    |    |    |    |    |
| TAILRL   |    |    |    |    |    |    |    |    |    |    |    |    |    |    |    |
| GPTMTBILR, type R/W, offset 0x02C, reset 0x0000.FFFF (see page 294)    |    |    |    |    |    |    |    |    |    |    |    |    |    |    |    |
| TBILRL   |    |    |    |    |    |    |    |    |    |    |    |    |    |    |    |
| GPTMTAMATCHR, type R/W, offset 0x030, reset 0xFFFF.FFFF (see page 295) |    |    |    |    |    |    |    |    |    |    |    |    |    |    |    |
| TAMRH  |    |    |    |    |    |    |    |    |    |    |    |    |    |    |    |
| TAMRL  |    |    |    |    |    |    |    |    |    |    |    |    |    |    |    |
| GPTMTBMATCHR, type R/W, offset 0x034, reset 0x0000.FFFF (see page 296) |    |    |    |    |    |    |    |    |    |    |    |    |    |    |    |
| TBMRL  |    |    |    |    |    |    |    |    |    |    |    |    |    |    |    |

|   |    |    |    |    |    |    |    |    |    |    |    |           |    |       |    |
|---|----|----|----|----|----|----|----|----|----|----|----|-----------|----|-------|----|
| 31  | 30 | 29 | 28 | 27 | 26 | 25 | 24 | 23 | 22 | 21 | 20 | 19        | 18 | 17    | 16 |
| 15  | 14 | 13 | 12 | 11 | 10 | 9  | 8  | 7  | 6  | 5  | 4  | 3         | 2  | 1     | 0  |
| GPTMTAPR, type R/W, offset 0x038, reset 0x0000.0000 (see page 297)    |    |    |    |    |    |    |    |    |    |    |    |           |    |       |    |
|   |    |    |    |    |    |    |    |    |    |    |    | TAPSR     |    |       |    |
| GPTMTBPR, type R/W, offset 0x03C, reset 0x0000.0000 (see page 298)    |    |    |    |    |    |    |    |    |    |    |    |           |    |       |    |
|   |    |    |    |    |    |    |    |    |    |    |    | TBPSR     |    |       |    |
| GPTMTAPMR, type R/W, offset 0x040, reset 0x0000.0000 (see page 299)   |    |    |    |    |    |    |    |    |    |    |    |           |    |       |    |
|   |    |    |    |    |    |    |    |    |    |    |    | TAPSMR    |    |       |    |
| GPTMTBPMR, type R/W, offset 0x044, reset 0x0000.0000 (see page 300)   |    |    |    |    |    |    |    |    |    |    |    |           |    |       |    |
|   |    |    |    |    |    |    |    |    |    |    |    | TBPSMR    |    |       |    |
| GPTMTAR, type RO, offset 0x048, reset 0xFFFF.FFFF (see page 301)      |    |    |    |    |    |    |    |    |    |    |    |           |    |       |    |
|   |    |    |    |    |    |    |    |    |    |    |    | TARH      |    |       |    |
|   |    |    |    |    |    |    |    |    |    |    |    | TARL      |    |       |    |
| GPTMTBR, type RO, offset 0x04C, reset 0x0000.FFFF (see page 302)      |    |    |    |    |    |    |    |    |    |    |    |           |    |       |    |
|   |    |    |    |    |    |    |    |    |    |    |    | TBRL      |    |       |    |
| <b>Watchdog Timer</b>   |    |    |    |    |    |    |    |    |    |    |    |           |    |       |    |
| Base 0x4000.0000  |    |    |    |    |    |    |    |    |    |    |    |           |    |       |    |
| WDTLOAD, type R/W, offset 0x000, reset 0xFFFF.FFFF (see page 307)     |    |    |    |    |    |    |    |    |    |    |    |           |    |       |    |
|   |    |    |    |    |    |    |    |    |    |    |    | WDTLoad   |    |       |    |
|   |    |    |    |    |    |    |    |    |    |    |    | WDTLoad   |    |       |    |
| WDTVALUE, type RO, offset 0x004, reset 0xFFFF.FFFF (see page 308)     |    |    |    |    |    |    |    |    |    |    |    |           |    |       |    |
|   |    |    |    |    |    |    |    |    |    |    |    | WDTValue  |    |       |    |
|   |    |    |    |    |    |    |    |    |    |    |    | WDTValue  |    |       |    |
| WDTCTL, type R/W, offset 0x008, reset 0x0000.0000 (see page 309)      |    |    |    |    |    |    |    |    |    |    |    |           |    |       |    |
|   |    |    |    |    |    |    |    |    |    |    |    | RESEN     |    | INTEN |    |
| WDTICR, type WO, offset 0x00C, reset - (see page 310)                 |    |    |    |    |    |    |    |    |    |    |    |           |    |       |    |
|   |    |    |    |    |    |    |    |    |    |    |    | WDTIntClr |    |       |    |
|   |    |    |    |    |    |    |    |    |    |    |    | WDTIntClr |    |       |    |
| WDRTRIS, type RO, offset 0x010, reset 0x0000.0000 (see page 311)      |    |    |    |    |    |    |    |    |    |    |    |           |    |       |    |
|   |    |    |    |    |    |    |    |    |    |    |    | WDRTRIS   |    |       |    |
| WDTMIS, type RO, offset 0x014, reset 0x0000.0000 (see page 312)       |    |    |    |    |    |    |    |    |    |    |    |           |    |       |    |
|   |    |    |    |    |    |    |    |    |    |    |    | WDTMIS    |    |       |    |
| WDTTEST, type R/W, offset 0x418, reset 0x0000.0000 (see page 313)     |    |    |    |    |    |    |    |    |    |    |    |           |    |       |    |
|   |    |    |    |    |    |    |    |    |    |    |    | STALL     |    |       |    |
| WDTLOCK, type R/W, offset 0xC00, reset 0x0000.0000 (see page 314)     |    |    |    |    |    |    |    |    |    |    |    |           |    |       |    |
|   |    |    |    |    |    |    |    |    |    |    |    | WDTLock   |    |       |    |
|   |    |    |    |    |    |    |    |    |    |    |    | WDTLock   |    |       |    |
| WDTPeriphID4, type RO, offset 0xFD0, reset 0x0000.0000 (see page 315) |    |    |    |    |    |    |    |    |    |    |    |           |    |       |    |
|   |    |    |    |    |    |    |    |    |    |    |    | PID4      |    |       |    |
| WDTPeriphID5, type RO, offset 0xFD4, reset 0x0000.0000 (see page 316) |    |    |    |    |    |    |    |    |    |    |    |           |    |       |    |
|   |    |    |    |    |    |    |    |    |    |    |    | PID5      |    |       |    |
| WDTPeriphID6, type RO, offset 0xFD8, reset 0x0000.0000 (see page 317) |    |    |    |    |    |    |    |    |    |    |    |           |    |       |    |
|   |    |    |    |    |    |    |    |    |    |    |    | PID6      |    |       |    |

|  |    |    |    |    |    |    |    |      |      |      |      |         |     |     |     |  |  |  |  |
|--|----|----|----|----|----|----|----|------|------|------|------|---------|-----|-----|-----|--|--|--|--|
| 31   | 30 | 29 | 28 | 27 | 26 | 25 | 24 | 23   | 22   | 21   | 20   | 19      | 18  | 17  | 16  |  |  |  |  |
| 15   | 14 | 13 | 12 | 11 | 10 | 9  | 8  | 7    | 6    | 5    | 4    | 3       | 2   | 1   | 0   |  |  |  |  |
| <b>WDTPeriphID7, type RO, offset 0xFDC, reset 0x0000.0000</b> (see page 318)             |    |    |    |    |    |    |    |      |      |      |      |         |     |     |     |  |  |  |  |
|  |    |    |    |    |    |    |    |      |      |      |      | PID7    |     |     |     |  |  |  |  |
| <b>WDTPeriphID0, type RO, offset 0xFE0, reset 0x0000.0005</b> (see page 319)             |    |    |    |    |    |    |    |      |      |      |      |         |     |     |     |  |  |  |  |
|  |    |    |    |    |    |    |    |      |      |      |      | PID0    |     |     |     |  |  |  |  |
| <b>WDTPeriphID1, type RO, offset 0xFE4, reset 0x0000.0018</b> (see page 320)             |    |    |    |    |    |    |    |      |      |      |      |         |     |     |     |  |  |  |  |
|  |    |    |    |    |    |    |    |      |      |      |      | PID1    |     |     |     |  |  |  |  |
| <b>WDTPeriphID2, type RO, offset 0xFE8, reset 0x0000.0018</b> (see page 321)             |    |    |    |    |    |    |    |      |      |      |      |         |     |     |     |  |  |  |  |
|  |    |    |    |    |    |    |    |      |      |      |      | PID2    |     |     |     |  |  |  |  |
| <b>WDTPeriphID3, type RO, offset 0xFEC, reset 0x0000.0001</b> (see page 322)             |    |    |    |    |    |    |    |      |      |      |      |         |     |     |     |  |  |  |  |
|  |    |    |    |    |    |    |    |      |      |      |      | PID3    |     |     |     |  |  |  |  |
| <b>WDTPCellID0, type RO, offset 0xFF0, reset 0x0000.000D</b> (see page 323)              |    |    |    |    |    |    |    |      |      |      |      |         |     |     |     |  |  |  |  |
|  |    |    |    |    |    |    |    |      |      |      |      | CID0    |     |     |     |  |  |  |  |
| <b>WDTPCellID1, type RO, offset 0xFF4, reset 0x0000.00F0</b> (see page 324)              |    |    |    |    |    |    |    |      |      |      |      |         |     |     |     |  |  |  |  |
|  |    |    |    |    |    |    |    |      |      |      |      | CID1    |     |     |     |  |  |  |  |
| <b>WDTPCellID2, type RO, offset 0xFF8, reset 0x0000.0005</b> (see page 325)              |    |    |    |    |    |    |    |      |      |      |      |         |     |     |     |  |  |  |  |
|  |    |    |    |    |    |    |    |      |      |      |      | CID2    |     |     |     |  |  |  |  |
| <b>WDTPCellID3, type RO, offset 0xFFC, reset 0x0000.00B1</b> (see page 326)              |    |    |    |    |    |    |    |      |      |      |      |         |     |     |     |  |  |  |  |
|  |    |    |    |    |    |    |    |      |      |      |      | CID3    |     |     |     |  |  |  |  |
| <b>Universal Asynchronous Receivers/Transmitters (UARTs)</b>                             |    |    |    |    |    |    |    |      |      |      |      |         |     |     |     |  |  |  |  |
| UART0 base: 0x4000.C000  |    |    |    |    |    |    |    |      |      |      |      |         |     |     |     |  |  |  |  |
| UART1 base: 0x4000.D000  |    |    |    |    |    |    |    |      |      |      |      |         |     |     |     |  |  |  |  |
| <b>UARTDR, type R/W, offset 0x000, reset 0x0000.0000</b> (see page 335)                  |    |    |    |    |    |    |    |      |      |      |      |         |     |     |     |  |  |  |  |
|  |    |    |    | OE | BE | PE | FE | DATA |      |      |      |         |     |     |     |  |  |  |  |
| <b>UARTRSR/UARTECR, type RO, offset 0x004, reset 0x0000.0000 (Reads)</b> (see page 337)  |    |    |    |    |    |    |    |      |      |      |      |         |     |     |     |  |  |  |  |
|  |    |    |    |    |    |    |    |      |      |      |      | OE      | BE  | PE  | FE  |  |  |  |  |
| <b>UARTRSR/UARTECR, type WO, offset 0x004, reset 0x0000.0000 (Writes)</b> (see page 337) |    |    |    |    |    |    |    |      |      |      |      |         |     |     |     |  |  |  |  |
|  |    |    |    |    |    |    |    |      |      |      |      | DATA    |     |     |     |  |  |  |  |
| <b>UARTFR, type RO, offset 0x018, reset 0x0000.0090</b> (see page 339)                   |    |    |    |    |    |    |    |      |      |      |      |         |     |     |     |  |  |  |  |
|  |    |    |    |    |    |    |    | TXFE | RXFF | TXFF | RXFE | BUSY    |     |     |     |  |  |  |  |
| <b>UARTIBRD, type R/W, offset 0x024, reset 0x0000.0000</b> (see page 341)                |    |    |    |    |    |    |    |      |      |      |      |         |     |     |     |  |  |  |  |
|  |    |    |    |    |    |    |    |      |      |      |      | DIVINT  |     |     |     |  |  |  |  |
| <b>UARTFBRD, type R/W, offset 0x028, reset 0x0000.0000</b> (see page 342)                |    |    |    |    |    |    |    |      |      |      |      |         |     |     |     |  |  |  |  |
|  |    |    |    |    |    |    |    |      |      |      |      | DIVFRAC |     |     |     |  |  |  |  |
| <b>UARTLCRH, type R/W, offset 0x02C, reset 0x0000.0000</b> (see page 343)                |    |    |    |    |    |    |    |      |      |      |      |         |     |     |     |  |  |  |  |
|  |    |    |    |    |    |    |    | SPS  | WLEN |      | FEN  | STP2    | EPS | PEN | BRK |  |  |  |  |

|  |    |    |    |    |       |       |       |       |       |       |          |    |    |          |        |
|--|----|----|----|----|-------|-------|-------|-------|-------|-------|----------|----|----|----------|--------|
| 31   | 30 | 29 | 28 | 27 | 26    | 25    | 24    | 23    | 22    | 21    | 20       | 19 | 18 | 17       | 16     |
| 15   | 14 | 13 | 12 | 11 | 10    | 9     | 8     | 7     | 6     | 5     | 4        | 3  | 2  | 1        | 0      |
| UARTCTL, type R/W, offset 0x030, reset 0x0000.0300 (see page 345)      |    |    |    |    |       |       |       |       |       |       |          |    |    |          |        |
|  |    |    |    |    |       |       | RXE   | TXE   | LBE   |       |          |    |    |          | UARTEN |
| UARTIFLS, type R/W, offset 0x034, reset 0x0000.0012 (see page 347)     |    |    |    |    |       |       |       |       |       |       |          |    |    |          |        |
|  |    |    |    |    |       |       |       |       |       |       | RXIFLSEL |    |    | TXIFLSEL |        |
| UARTIM, type R/W, offset 0x038, reset 0x0000.0000 (see page 349)       |    |    |    |    |       |       |       |       |       |       |          |    |    |          |        |
|  |    |    |    |    | OEIM  | BEIM  | PEIM  | FEIM  | RTIM  | TXIM  | RXIM     |    |    |          |        |
| UARTRIS, type RO, offset 0x03C, reset 0x0000.000F (see page 351)       |    |    |    |    |       |       |       |       |       |       |          |    |    |          |        |
|  |    |    |    |    | OERIS | BERIS | PERIS | FERIS | RTRIS | TXRIS | RXRIS    |    |    |          |        |
| UARTMIS, type RO, offset 0x040, reset 0x0000.0000 (see page 352)       |    |    |    |    |       |       |       |       |       |       |          |    |    |          |        |
|  |    |    |    |    | OEMIS | BEMIS | PEMIS | FEMIS | RTMIS | TXMIS | RXMIS    |    |    |          |        |
| UARTICR, type W1C, offset 0x044, reset 0x0000.0000 (see page 353)      |    |    |    |    |       |       |       |       |       |       |          |    |    |          |        |
|  |    |    |    |    | OEIC  | BEIC  | PEIC  | FEIC  | RTIC  | TXIC  | RXIC     |    |    |          |        |
| UARTPeriphID4, type RO, offset 0xFD0, reset 0x0000.0000 (see page 355) |    |    |    |    |       |       |       |       |       |       |          |    |    |          |        |
|  |    |    |    |    |       |       |       |       |       |       |          |    |    |          | PID4   |
| UARTPeriphID5, type RO, offset 0xFD4, reset 0x0000.0000 (see page 356) |    |    |    |    |       |       |       |       |       |       |          |    |    |          |        |
|  |    |    |    |    |       |       |       |       |       |       |          |    |    |          | PID5   |
| UARTPeriphID6, type RO, offset 0xFD8, reset 0x0000.0000 (see page 357) |    |    |    |    |       |       |       |       |       |       |          |    |    |          |        |
|  |    |    |    |    |       |       |       |       |       |       |          |    |    |          | PID6   |
| UARTPeriphID7, type RO, offset 0xFDC, reset 0x0000.0000 (see page 358) |    |    |    |    |       |       |       |       |       |       |          |    |    |          |        |
|  |    |    |    |    |       |       |       |       |       |       |          |    |    |          | PID7   |
| UARTPeriphID0, type RO, offset 0xFE0, reset 0x0000.0011 (see page 359) |    |    |    |    |       |       |       |       |       |       |          |    |    |          |        |
|  |    |    |    |    |       |       |       |       |       |       |          |    |    |          | PID0   |
| UARTPeriphID1, type RO, offset 0xFE4, reset 0x0000.0000 (see page 360) |    |    |    |    |       |       |       |       |       |       |          |    |    |          |        |
|  |    |    |    |    |       |       |       |       |       |       |          |    |    |          | PID1   |
| UARTPeriphID2, type RO, offset 0xFE8, reset 0x0000.0018 (see page 361) |    |    |    |    |       |       |       |       |       |       |          |    |    |          |        |
|  |    |    |    |    |       |       |       |       |       |       |          |    |    |          | PID2   |
| UARTPeriphID3, type RO, offset 0xFEC, reset 0x0000.0001 (see page 362) |    |    |    |    |       |       |       |       |       |       |          |    |    |          |        |
|  |    |    |    |    |       |       |       |       |       |       |          |    |    |          | PID3   |
| UARTPCellID0, type RO, offset 0xFF0, reset 0x0000.000D (see page 363)  |    |    |    |    |       |       |       |       |       |       |          |    |    |          |        |
|  |    |    |    |    |       |       |       |       |       |       |          |    |    |          | CID0   |
| UARTPCellID1, type RO, offset 0xFF4, reset 0x0000.00F0 (see page 364)  |    |    |    |    |       |       |       |       |       |       |          |    |    |          |        |
|  |    |    |    |    |       |       |       |       |       |       |          |    |    |          | CID1   |
| UARTPCellID2, type RO, offset 0xFF8, reset 0x0000.0005 (see page 365)  |    |    |    |    |       |       |       |       |       |       |          |    |    |          |        |
|  |    |    |    |    |       |       |       |       |       |       |          |    |    |          | CID2   |



|  |    |    |    |    |    |       |    |     |    |    |    |             |    |             |    |             |  |
|--|----|----|----|----|----|-------|----|-----|----|----|----|-------------|----|-------------|----|-------------|--|
| 31   | 30 | 29 | 28 | 27 | 26 | 25    | 24 | 23  | 22 | 21 | 20 | 19          | 18 | 17          | 16 |             |  |
| 15   | 14 | 13 | 12 | 11 | 10 | 9     | 8  | 7   | 6  | 5  | 4  | 3           | 2  | 1           | 0  |             |  |
| <b>SSIPeriphID3, type RO, offset 0xFEC, reset 0x0000.0001</b> (see page 400) |    |    |    |    |    |       |    |     |    |    |    |             |    |             |    |             |  |
|  |    |    |    |    |    |       |    |     |    |    |    | PID3        |    |             |    |             |  |
| <b>SSIPCellID0, type RO, offset 0xFF0, reset 0x0000.000D</b> (see page 401)  |    |    |    |    |    |       |    |     |    |    |    |             |    |             |    |             |  |
|  |    |    |    |    |    |       |    |     |    |    |    | CID0        |    |             |    |             |  |
| <b>SSIPCellID1, type RO, offset 0xFF4, reset 0x0000.00F0</b> (see page 402)  |    |    |    |    |    |       |    |     |    |    |    |             |    |             |    |             |  |
|  |    |    |    |    |    |       |    |     |    |    |    | CID1        |    |             |    |             |  |
| <b>SSIPCellID2, type RO, offset 0xFF8, reset 0x0000.0005</b> (see page 403)  |    |    |    |    |    |       |    |     |    |    |    |             |    |             |    |             |  |
|  |    |    |    |    |    |       |    |     |    |    |    | CID2        |    |             |    |             |  |
| <b>SSIPCellID3, type RO, offset 0xFFC, reset 0x0000.00B1</b> (see page 404)  |    |    |    |    |    |       |    |     |    |    |    |             |    |             |    |             |  |
|  |    |    |    |    |    |       |    |     |    |    |    | CID3        |    |             |    |             |  |
| <b>Analog Comparators</b><br>Base 0x4003.C000                                |    |    |    |    |    |       |    |     |    |    |    |             |    |             |    |             |  |
| <b>ACMIS, type R/W1C, offset 0x000, reset 0x0000.0000</b> (see page 412)     |    |    |    |    |    |       |    |     |    |    |    |             |    |             |    |             |  |
|  |    |    |    |    |    |       |    |     |    |    |    | IN2         |    | IN1         |    | IN0         |  |
| <b>ACRIS, type RO, offset 0x004, reset 0x0000.0000</b> (see page 413)        |    |    |    |    |    |       |    |     |    |    |    |             |    |             |    |             |  |
|  |    |    |    |    |    |       |    |     |    |    |    | IN2         |    | IN1         |    | IN0         |  |
| <b>ACINTEN, type R/W, offset 0x008, reset 0x0000.0000</b> (see page 414)     |    |    |    |    |    |       |    |     |    |    |    |             |    |             |    |             |  |
|  |    |    |    |    |    |       |    |     |    |    |    | IN2         |    | IN1         |    | IN0         |  |
| <b>ACREFCTL, type R/W, offset 0x010, reset 0x0000.0000</b> (see page 415)    |    |    |    |    |    |       |    |     |    |    |    |             |    |             |    |             |  |
|  |    |    |    |    |    | EN    |    | RNG |    |    |    |             |    |             |    | VREF        |  |
| <b>ACSTAT0, type RO, offset 0x020, reset 0x0000.0000</b> (see page 416)      |    |    |    |    |    |       |    |     |    |    |    |             |    |             |    |             |  |
|  |    |    |    |    |    |       |    |     |    |    |    | OVAL        |    |             |    |             |  |
| <b>ACSTAT1, type RO, offset 0x040, reset 0x0000.0000</b> (see page 416)      |    |    |    |    |    |       |    |     |    |    |    |             |    |             |    |             |  |
|  |    |    |    |    |    |       |    |     |    |    |    | OVAL        |    |             |    |             |  |
| <b>ACSTAT2, type RO, offset 0x060, reset 0x0000.0000</b> (see page 416)      |    |    |    |    |    |       |    |     |    |    |    |             |    |             |    |             |  |
|  |    |    |    |    |    |       |    |     |    |    |    | OVAL        |    |             |    |             |  |
| <b>ACCTL0, type R/W, offset 0x024, reset 0x0000.0000</b> (see page 417)      |    |    |    |    |    |       |    |     |    |    |    |             |    |             |    |             |  |
|  |    |    |    |    |    | ASRCP |    |     |    |    |    | ISLVAL      |    | ISEN        |    | CINV        |  |
| <b>ACCTL1, type R/W, offset 0x044, reset 0x0000.0000</b> (see page 417)      |    |    |    |    |    |       |    |     |    |    |    |             |    |             |    |             |  |
|  |    |    |    |    |    | ASRCP |    |     |    |    |    | ISLVAL      |    | ISEN        |    | CINV        |  |
| <b>ACCTL2, type R/W, offset 0x064, reset 0x0000.0000</b> (see page 417)      |    |    |    |    |    |       |    |     |    |    |    |             |    |             |    |             |  |
|  |    |    |    |    |    | ASRCP |    |     |    |    |    | ISLVAL      |    | ISEN        |    | CINV        |  |
| <b>Pulse Width Modulator (PWM)</b><br>Base 0x4002.8000                       |    |    |    |    |    |       |    |     |    |    |    |             |    |             |    |             |  |
| <b>PWMCTL, type R/W, offset 0x000, reset 0x0000.0000</b> (see page 429)      |    |    |    |    |    |       |    |     |    |    |    |             |    |             |    |             |  |
|  |    |    |    |    |    |       |    |     |    |    |    | GlobalSync2 |    | GlobalSync1 |    | GlobalSync0 |  |

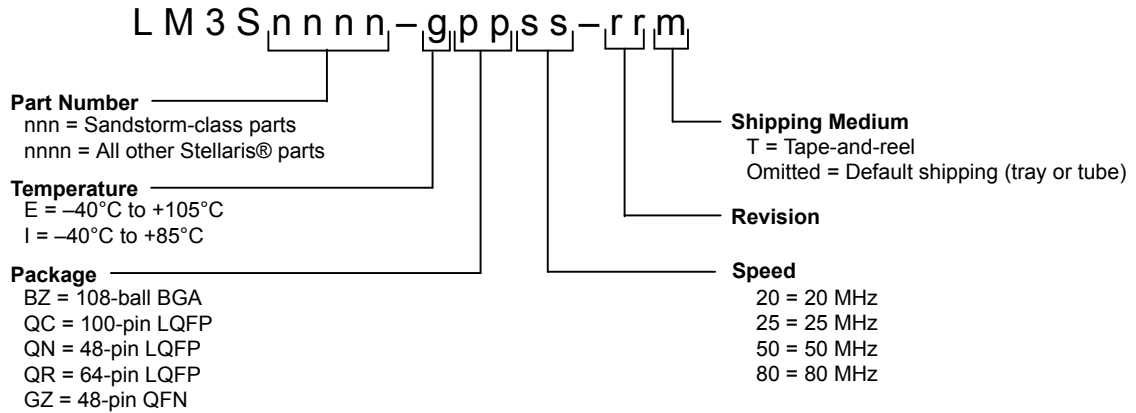
| 31  | 30 | 29 | 28 | 27 | 26 | 25 | 24 | 23 | 22 | 21       | 20       | 19       | 18       | 17         | 16         |
|---|----|----|----|----|----|----|----|----|----|----------|----------|----------|----------|------------|------------|
| 15  | 14 | 13 | 12 | 11 | 10 | 9  | 8  | 7  | 6  | 5        | 4        | 3        | 2        | 1          | 0          |
| PWM5SYNC, type R/W, offset 0x004, reset 0x0000.0000 (see page 430)  |    |    |    |    |    |    |    |    |    |          |          |          |          |            |            |
|   |    |    |    |    |    |    |    |    |    |          |          |          | Sync2    | Sync1      | Sync0      |
| PWMENABLE, type R/W, offset 0x008, reset 0x0000.0000 (see page 431) |    |    |    |    |    |    |    |    |    |          |          |          |          |            |            |
|   |    |    |    |    |    |    |    |    |    | PWM5En   | PWM4En   | PWM3En   | PWM2En   | PWM1En     | PWM0En     |
| PWMINVERT, type R/W, offset 0x00C, reset 0x0000.0000 (see page 432) |    |    |    |    |    |    |    |    |    |          |          |          |          |            |            |
|   |    |    |    |    |    |    |    |    |    | PWM5Inv  | PWM4Inv  | PWM3Inv  | PWM2Inv  | PWM1Inv    | PWM0Inv    |
| PWMFAULT, type R/W, offset 0x010, reset 0x0000.0000 (see page 433)  |    |    |    |    |    |    |    |    |    |          |          |          |          |            |            |
|   |    |    |    |    |    |    |    |    |    | Fault5   | Fault4   | Fault3   | Fault2   | Fault1     | Fault0     |
| PWMINTEN, type R/W, offset 0x014, reset 0x0000.0000 (see page 434)  |    |    |    |    |    |    |    |    |    |          |          |          |          |            |            |
|   |    |    |    |    |    |    |    |    |    |          |          |          |          |            | IntFault   |
|   |    |    |    |    |    |    |    |    |    |          |          |          | IntPWM2  | IntPWM1    | IntPWM0    |
| PWMRIS, type RO, offset 0x018, reset 0x0000.0000 (see page 435)     |    |    |    |    |    |    |    |    |    |          |          |          |          |            |            |
|   |    |    |    |    |    |    |    |    |    |          |          |          |          |            | IntFault   |
|   |    |    |    |    |    |    |    |    |    |          |          |          | IntPWM2  | IntPWM1    | IntPWM0    |
| PWMISC, type R/W1C, offset 0x01C, reset 0x0000.0000 (see page 436)  |    |    |    |    |    |    |    |    |    |          |          |          |          |            |            |
|   |    |    |    |    |    |    |    |    |    |          |          |          |          |            | IntFault   |
|   |    |    |    |    |    |    |    |    |    |          |          |          | IntPWM2  | IntPWM1    | IntPWM0    |
| PWMSTATUS, type RO, offset 0x020, reset 0x0000.0000 (see page 437)  |    |    |    |    |    |    |    |    |    |          |          |          |          |            |            |
|   |    |    |    |    |    |    |    |    |    |          |          |          |          |            | Fault      |
| PWM0CTL, type R/W, offset 0x040, reset 0x0000.0000 (see page 438)   |    |    |    |    |    |    |    |    |    |          |          |          |          |            |            |
|   |    |    |    |    |    |    |    |    |    | CmpBUpd  | CmpAUpd  | LoadUpd  | Debug    | Mode       | Enable     |
| PWM1CTL, type R/W, offset 0x080, reset 0x0000.0000 (see page 438)   |    |    |    |    |    |    |    |    |    |          |          |          |          |            |            |
|   |    |    |    |    |    |    |    |    |    | CmpBUpd  | CmpAUpd  | LoadUpd  | Debug    | Mode       | Enable     |
| PWM2CTL, type R/W, offset 0x0C0, reset 0x0000.0000 (see page 438)   |    |    |    |    |    |    |    |    |    |          |          |          |          |            |            |
|   |    |    |    |    |    |    |    |    |    | CmpBUpd  | CmpAUpd  | LoadUpd  | Debug    | Mode       | Enable     |
| PWM0INTEN, type R/W, offset 0x044, reset 0x0000.0000 (see page 440) |    |    |    |    |    |    |    |    |    |          |          |          |          |            |            |
|   |    |    |    |    |    |    |    |    |    | IntCmpBD | IntCmpBU | IntCmpAD | IntCmpAU | IntCntLoad | IntCntZero |
| PWM1INTEN, type R/W, offset 0x084, reset 0x0000.0000 (see page 440) |    |    |    |    |    |    |    |    |    |          |          |          |          |            |            |
|   |    |    |    |    |    |    |    |    |    | IntCmpBD | IntCmpBU | IntCmpAD | IntCmpAU | IntCntLoad | IntCntZero |
| PWM2INTEN, type R/W, offset 0x0C4, reset 0x0000.0000 (see page 440) |    |    |    |    |    |    |    |    |    |          |          |          |          |            |            |
|   |    |    |    |    |    |    |    |    |    | IntCmpBD | IntCmpBU | IntCmpAD | IntCmpAU | IntCntLoad | IntCntZero |
| PWM0RIS, type RO, offset 0x048, reset 0x0000.0000 (see page 442)    |    |    |    |    |    |    |    |    |    |          |          |          |          |            |            |
|   |    |    |    |    |    |    |    |    |    | IntCmpBD | IntCmpBU | IntCmpAD | IntCmpAU | IntCntLoad | IntCntZero |
| PWM1RIS, type RO, offset 0x088, reset 0x0000.0000 (see page 442)    |    |    |    |    |    |    |    |    |    |          |          |          |          |            |            |
|   |    |    |    |    |    |    |    |    |    | IntCmpBD | IntCmpBU | IntCmpAD | IntCmpAU | IntCntLoad | IntCntZero |
| PWM2RIS, type RO, offset 0x0C8, reset 0x0000.0000 (see page 442)    |    |    |    |    |    |    |    |    |    |          |          |          |          |            |            |
|   |    |    |    |    |    |    |    |    |    | IntCmpBD | IntCmpBU | IntCmpAD | IntCmpAU | IntCntLoad | IntCntZero |





## C Ordering and Contact Information

### C.1 Ordering Information



**Table C-1. Part Ordering Information**

| Orderable Part Number | Description  |
|-----------------------|--|
| LM3S310-IQN25-C2      | Stellaris® LM3S310 Microcontroller Industrial Temperature 48-pin LQFP              |
| LM3S310-IQN25-C2T     | Stellaris LM3S310 Microcontroller Industrial Temperature 48-pin LQFP Tape-and-reel |
| LM3S310-EQN25-C2      | Stellaris LM3S310 Microcontroller Extended Temperature 48-pin LQFP                 |
| LM3S310-EQN25-C2T     | Stellaris LM3S310 Microcontroller Extended Temperature 48-pin LQFP Tape-and-reel   |
| LM3S310-IGZ25-C2      | Stellaris LM3S310 Microcontroller Industrial Temperature 48-pin QFN                |
| LM3S310-IGZ25-C2T     | Stellaris LM3S310 Microcontroller Industrial Temperature 48-pin QFN Tape-and-reel  |
| LM3S310-EGZ25-C2      | Stellaris LM3S310 Microcontroller Extended Temperature 48-pin QFN                  |
| LM3S310-EGZ25-C2T     | Stellaris LM3S310 Microcontroller Extended Temperature 48-pin QFN Tape-and-reel    |

### C.2 Part Markings

The Stellaris microcontrollers are marked with an identifying number. This code contains the following information:

- The first line indicates the part number, for example, LM3S9B90.
- In the second line, the first eight characters indicate the temperature, package, speed, revision, and product status. For example in the figure below, IQC80C0X indicates an Industrial temperature (I), 100-pin LQFP package (QC), 80-MHz (80), revision C0 (C0) device. The letter immediately following the revision indicates product status. An X indicates experimental and requires a waiver; an S indicates the part is fully qualified and released to production.
- The remaining characters contain internal tracking numbers.



### C.3 Kits

The Stellaris Family provides the hardware and software tools that engineers need to begin development quickly.

- Reference Design Kits accelerate product development by providing ready-to-run hardware and comprehensive documentation including hardware design files
- Evaluation Kits provide a low-cost and effective means of evaluating Stellaris microcontrollers before purchase
- Development Kits provide you with all the tools you need to develop and prototype embedded applications right out of the box

See the website at [www.ti.com/stellaris](http://www.ti.com/stellaris) for the latest tools available, or ask your distributor.

### C.4 Support Information

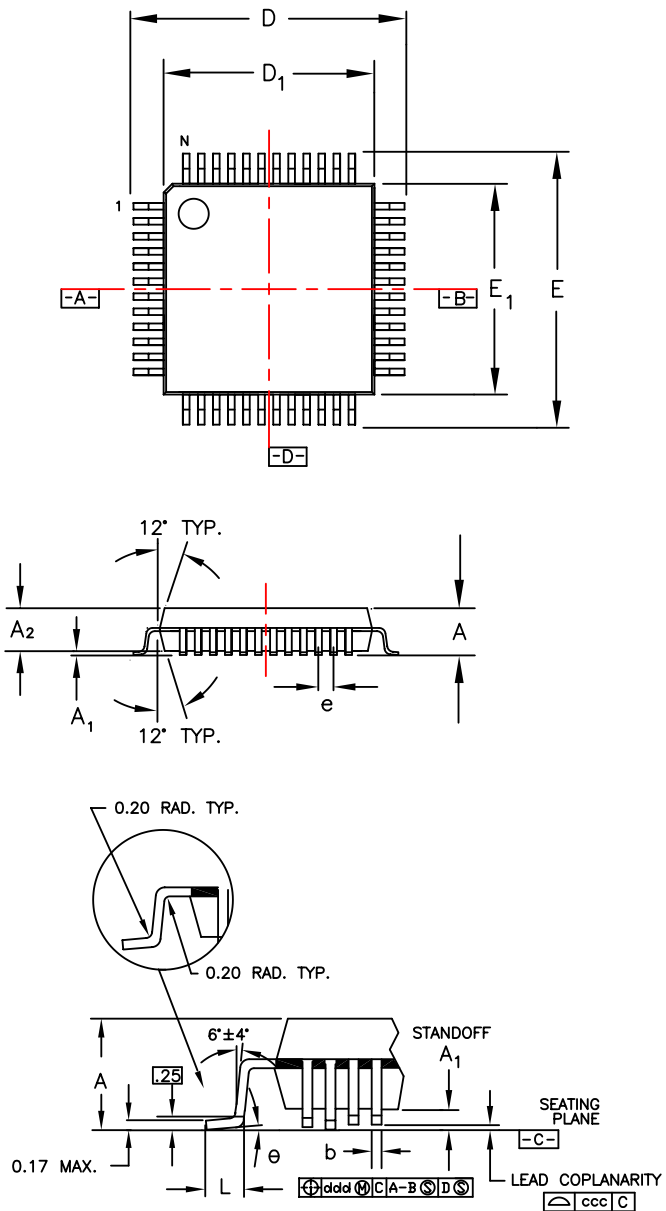
For support on Stellaris products, contact the TI Worldwide Product Information Center nearest you: <http://www-k.ext.ti.com/sc/technical-support/product-information-centers.htm>.

## D Package Information

### D.1 48-Pin LQFP Package

#### D.1.1 Package Dimensions

Figure D-1. Stellaris LM3S310 48-Pin LQFP Package



**Note:** The following notes apply to the package drawing.

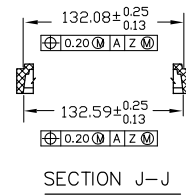
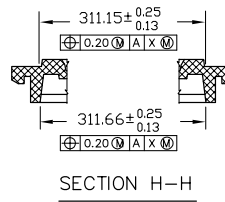
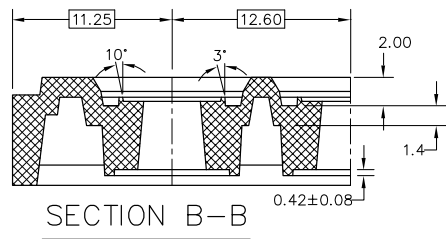
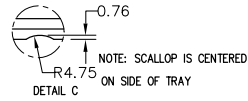
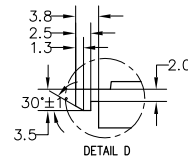
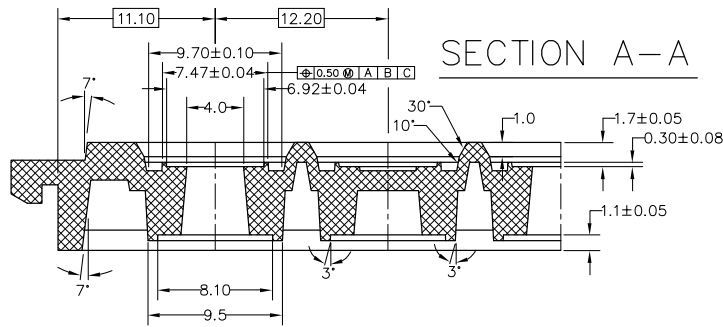
1. All dimensions are in mm.
2. Dimensions shown are nominal with tolerances indicated.
3. Foot length "L" is measured at gage plane 0.25 mm above seating plane.
4. L/F: Eftec 64T Cu or equivalent, 0.127 mm (0.005") thick.

| Symbol                  | Package Type |      | Note   |
|-------------------------|--------------|------|--------|
|                         | 48LD LQFP    |      |        |
|                         | MIN          | MAX  |        |
| A                       | -            | 1.60 |        |
| A <sub>1</sub>          | 0.05         | 0.15 |        |
| A <sub>2</sub>          | -            | 1.40 |        |
| D                       | 9.00         |      |        |
| D <sub>1</sub>          | 7.00         |      |        |
| E                       | 9.00         |      |        |
| E <sub>1</sub>          | 7.00         |      |        |
| L                       | 0.60         |      |        |
| e                       | 0.50         |      |        |
| b                       | 0.22         |      |        |
| theta                   | 0° - 7°      |      |        |
| ddd                     | 0.08         |      |        |
| ccc                     | 0.08         |      |        |
| JEDEC Reference Drawing |              |      | MS-026 |
| Variation Designator    |              |      | BBC    |



PEAK

DO NOT SCALE DRAWING



|         |       |             |           |
|---------|-------|-------------|-----------|
|         |       |             |           |
|         |       |             |           |
|         |       |             |           |
| P5.0    |       | BLOCK HOLES | 06 APR 07 |
| REV.NO. | ECN # | DESCRIPTION | DATE      |

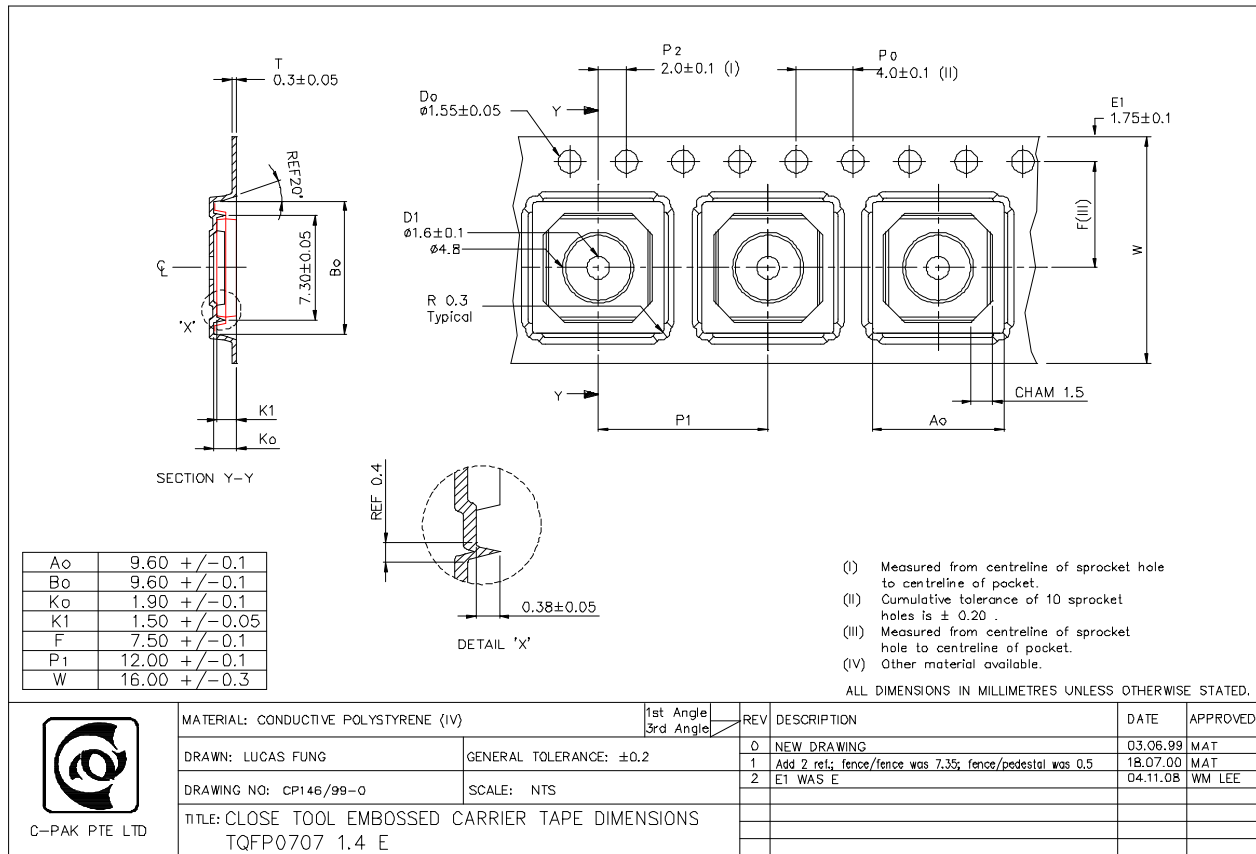
THIS DOCUMENT CONTAINS INFORMATION PROPRIETARY TO PEAK PLASTIC & METAL PRODUCTS INTERNATIONAL LIMITED. REPRODUCTION, DISCLOSURE OR USE OF THIS DOCUMENT IS EXPRESSLY PROHIBITED EXCEPT IF OTHERWISE AGREED UPON IN WRITING.

|               |        |                  |
|---------------|--------|------------------|
| DRAWN BY :    | NANCY  | PAGE 2 OF 2      |
| CHECKED BY :  | BUSH   | DATE : 06 APR 07 |
| APPROVED BY : | DALTON | DATE : 06 APR 07 |
| APPROVED BY : | DAVY   | DATE : 06 APR 07 |
| APPROVED BY : | EDEN   | CODE :           |

|            |  |
|------------|--|
|            | PEAK PLASTIC & METAL PRODUCTS INT'L LTD. |
| CUSTOMER : | PEAK                                     |
| TITLE :    | ND 0707 1.4 1025 6 REV.B                 |
| DWG NO.:   | ND 0707 1.4 1025 6 REV.B REV.            |

### D.1.3 Tape and Reel Dimensions

Figure D-3. 48-Pin LQFP Tape and Reel Dimensions

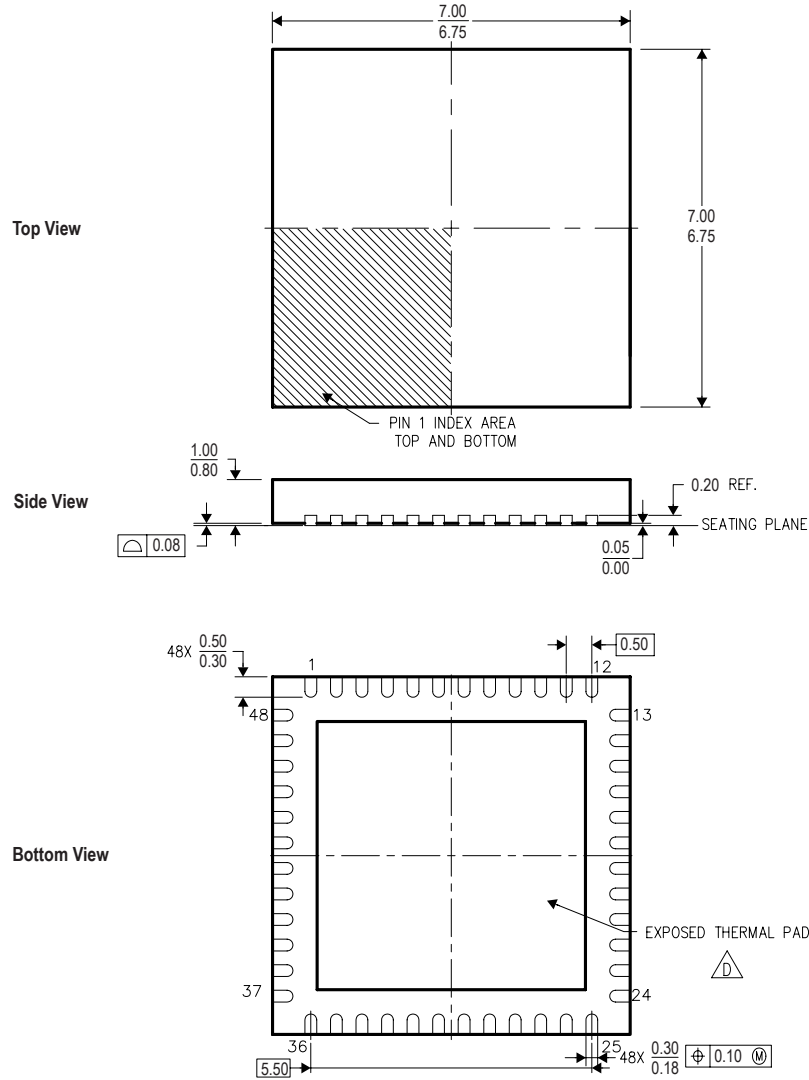


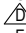
THIS DRAWING CONTAINS INFORMATION THAT IS PROPRIETARY TO C-PAK PTE.LTD.

## D.2 48-Pin QFN Package

### D.2.1 Package Dimensions

Figure D-4. Stellaris LM3S310 48-Pin QFN Package



- NOTES:
- A. All linear dimensions are in millimeters. Dimensioning and tolerancing per ASME Y14.5M-1994.
  - B. This drawing is subject to change without notice.
  - C. Quad Flatpack, No-leads (QFN) package configuration.
  -  The package thermal pad must be soldered to the board for thermal and mechanical performance. In addition, the pad must be connected to GND.
  - E. Falls within JEDEC MO-220.

## IMPORTANT NOTICE

Texas Instruments Incorporated and its subsidiaries (TI) reserve the right to make corrections, modifications, enhancements, improvements, and other changes to its products and services at any time and to discontinue any product or service without notice. Customers should obtain the latest relevant information before placing orders and should verify that such information is current and complete. All products are sold subject to TI's terms and conditions of sale supplied at the time of order acknowledgment.

TI warrants performance of its hardware products to the specifications applicable at the time of sale in accordance with TI's standard warranty. Testing and other quality control techniques are used to the extent TI deems necessary to support this warranty. Except where mandated by government requirements, testing of all parameters of each product is not necessarily performed.

TI assumes no liability for applications assistance or customer product design. Customers are responsible for their products and applications using TI components. To minimize the risks associated with customer products and applications, customers should provide adequate design and operating safeguards.

TI does not warrant or represent that any license, either express or implied, is granted under any TI patent right, copyright, mask work right, or other TI intellectual property right relating to any combination, machine, or process in which TI products or services are used. Information published by TI regarding third-party products or services does not constitute a license from TI to use such products or services or a warranty or endorsement thereof. Use of such information may require a license from a third party under the patents or other intellectual property of the third party, or a license from TI under the patents or other intellectual property of TI.

Reproduction of TI information in TI data books or data sheets is permissible only if reproduction is without alteration and is accompanied by all associated warranties, conditions, limitations, and notices. Reproduction of this information with alteration is an unfair and deceptive business practice. TI is not responsible or liable for such altered documentation. Information of third parties may be subject to additional restrictions.

Resale of TI products or services with statements different from or beyond the parameters stated by TI for that product or service voids all express and any implied warranties for the associated TI product or service and is an unfair and deceptive business practice. TI is not responsible or liable for any such statements.

TI products are not authorized for use in safety-critical applications (such as life support) where a failure of the TI product would reasonably be expected to cause severe personal injury or death, unless officers of the parties have executed an agreement specifically governing such use. Buyers represent that they have all necessary expertise in the safety and regulatory ramifications of their applications, and acknowledge and agree that they are solely responsible for all legal, regulatory and safety-related requirements concerning their products and any use of TI products in such safety-critical applications, notwithstanding any applications-related information or support that may be provided by TI. Further, Buyers must fully indemnify TI and its representatives against any damages arising out of the use of TI products in such safety-critical applications.

TI products are neither designed nor intended for use in military/aerospace applications or environments unless the TI products are specifically designated by TI as military-grade or "enhanced plastic." Only products designated by TI as military-grade meet military specifications. Buyers acknowledge and agree that any such use of TI products which TI has not designated as military-grade is solely at the Buyer's risk, and that they are solely responsible for compliance with all legal and regulatory requirements in connection with such use.

TI products are neither designed nor intended for use in automotive applications or environments unless the specific TI products are designated by TI as compliant with ISO/TS 16949 requirements. Buyers acknowledge and agree that, if they use any non-designated products in automotive applications, TI will not be responsible for any failure to meet such requirements.

Following are URLs where you can obtain information on other Texas Instruments products and application solutions:

### Products

|                        |  |
|------------------------|--|
| Audio                  | <a href="http://www.ti.com/audio">www.ti.com/audio</a>                               |
| Amplifiers             | <a href="http://amplifier.ti.com">amplifier.ti.com</a>                               |
| Data Converters        | <a href="http://dataconverter.ti.com">dataconverter.ti.com</a>                       |
| DLP® Products          | <a href="http://www.dlp.com">www.dlp.com</a>   |
| DSP                    | <a href="http://dsp.ti.com">dsp.ti.com</a>   |
| Clocks and Timers      | <a href="http://www.ti.com/clocks">www.ti.com/clocks</a>                             |
| Interface              | <a href="http://interface.ti.com">interface.ti.com</a>                               |
| Logic                  | <a href="http://logic.ti.com">logic.ti.com</a>                                       |
| Power Mgmt             | <a href="http://power.ti.com">power.ti.com</a>                                       |
| Microcontrollers       | <a href="http://microcontroller.ti.com">microcontroller.ti.com</a>                   |
| RFID                   | <a href="http://www.ti-rfid.com">www.ti-rfid.com</a>                                 |
| OMAP Mobile Processors | <a href="http://www.ti.com/omap">www.ti.com/omap</a>                                 |
| Wireless Connectivity  | <a href="http://www.ti.com/wirelessconnectivity">www.ti.com/wirelessconnectivity</a> |

### Applications

|                               |  |
|-------------------------------|--|
| Automotive and Transportation | <a href="http://www.ti.com/automotive">www.ti.com/automotive</a>                         |
| Communications and Telecom    | <a href="http://www.ti.com/communications">www.ti.com/communications</a>                 |
| Computers and Peripherals     | <a href="http://www.ti.com/computers">www.ti.com/computers</a>                           |
| Consumer Electronics          | <a href="http://www.ti.com/consumer-apps">www.ti.com/consumer-apps</a>                   |
| Energy and Lighting           | <a href="http://www.ti.com/energy">www.ti.com/energy</a>                                 |
| Industrial                    | <a href="http://www.ti.com/industrial">www.ti.com/industrial</a>                         |
| Medical                       | <a href="http://www.ti.com/medical">www.ti.com/medical</a>                               |
| Security                      | <a href="http://www.ti.com/security">www.ti.com/security</a>                             |
| Space, Avionics and Defense   | <a href="http://www.ti.com/space-avionics-defense">www.ti.com/space-avionics-defense</a> |
| Video and Imaging             | <a href="http://www.ti.com/video">www.ti.com/video</a>                                   |

TI E2E Community Home Page

[e2e.ti.com](http://e2e.ti.com)

Mailing Address: Texas Instruments, Post Office Box 655303, Dallas, Texas 75265  
Copyright © 2012, Texas Instruments Incorporated