

LM2650 Synchronous Step-Down DC/DC Converter

Check for Samples: [LM2650](#)

FEATURES

- **Ultra High Efficiencies (95% possible)**
- **High Efficiency Over a 3A to Milliampere Load Range**
- **Synchronous Switching of Internal NMOS Power FETs**
- **Wide Input Voltage Range (4.5V to 18V)**
- **Output Voltage Adjustable from 1.5V to 16V**
- **Automatic Low-Power Sleep Mode**
- **Logic-Controlled Micropower Shutdown ($I_{QSD} \leq 25 \mu\text{A}$)**
- **Frequency Adjustable up to 300 kHz**
- **Frequency Synchronization with External Signal**
- **Programmable Soft-Start**
- **Short-Circuit Current Limiting**
- **Thermal Shutdown**
- **Available in 24-lead Small-Outline Package**

APPLICATIONS

- **Notebook and Palmtop Personal Computers**
- **Portable Data Terminals**
- **Modems**
- **Portable Instruments**
- **Global Positioning Devices (GPSs)**
- **Battery-Powered Digital Devices**

DESCRIPTION

The LM2650 is a step-down DC/DC converter featuring high efficiency over a 3A to milliampere load range. This feature makes the LM2650 an ideal fit in battery-powered applications that demand long battery life in both run and standby modes.

The LM2650 also features a logic-controlled shutdown mode in which it draws at most 25 μA from the input power supply.

The LM2650 employs a fixed-frequency pulse-width modulation (PWM) and synchronous rectification to achieve very high efficiencies. In many applications, efficiencies reach 95%+ for loads around 1A and exceed 90% for moderate to heavy loads from 0.2A to 2A.

A low-power hysteretic or "sleep" mode keeps efficiencies high at light loads. The LM2650 enters and exits sleep mode automatically as the load crosses "sleep in" and "sleep out" thresholds. The LM2650 provides nodes for programming both thresholds via external resistors. A logic input allows the user to override the automatic sleep feature and keep the LM2650 in PWM mode regardless of the load level.

An optional soft-start feature limits current surges from the input power supply at start up and provides a simple means of sequencing multiple power supplies.



Please be aware that an important notice concerning availability, standard warranty, and use in critical applications of Texas Instruments semiconductor products and disclaimers thereto appears at the end of this data sheet.

All trademarks are the property of their respective owners.

Typical Application

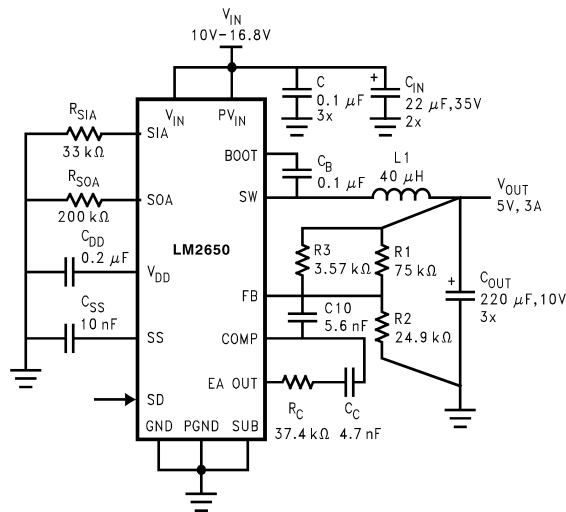


Figure 1. Converting a Four-Cell Li Ion Battery to 5V

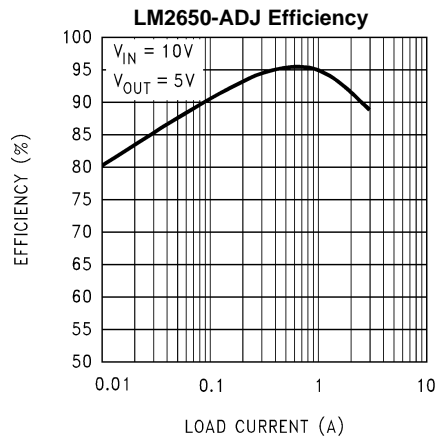


Figure 2.

Connection Diagram

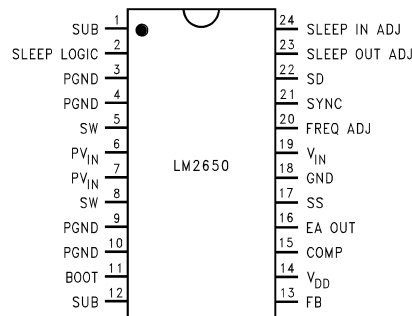


Figure 3. Top View
24-Lead Small Outline Package (DW)
See Package Number DW0024B

PIN DESCRIPTIONS⁽¹⁾

Pins	Description
1, 12	SUB: These pins make electrical contact with the substrate of the die. Ground them. For best thermal performance, ground them to the same large, uninterrupted copper plane as the PGND pins.
2	SLEEP LOGIC: Use this logic input to select the conversion mode; low selects PWM, high selects sleep, and high impedance (open) permits the LM2650 to move freely and automatically between the modes, using PWM for moderate to heavy loads and sleep for light loads.
3, 4, 9, 10	PGND: The ground return of the power stage. The power stage consists of the two power switches Q1 and Q2, the gate drivers DH and DL, and the linear voltage regulators VRegH and VRegL. For best electrical and thermal performance, ground these pins to a large, uninterrupted copper plane.
5, 8	SW: The output node of the power stage. It swings from slightly below ground to slightly below the voltage to PV _{IN} . To minimize the effects of switching noise on nearby circuitry, keep all traces originating from SW short and to the point. Route all traces carrying signals well away from the SW traces.
6, 7	PV_{IN}: The positive supply rail of the power stage. Bypass each PV _{IN} pin to PGND with a 0.1 μF capacitor. Use capacitors having low ESL and low ESR, and locate them close to the IC.
11	BOOT: The positive supply rail of the high-side gate driver DH. Connect a 0.1 μF capacitor from this node to SW. Bootstrapping action creates a supply rail about 9V above that at PV _{IN} , and DH uses this rail to override the gate of the NMOS power FET Q1. Overriding ensures low R _{DS(on)} .
13	FB: The feedback input.
14	V_{DD}: An internal regulator steps the input voltage down to a 4V rail used by the signal-level circuitry. V _{DD} is the output node of this regulator. Bypass V _{DD} to GND close to the IC with a 0.2 μF capacitor.
15	COMP: The inverting input of the error amplifier EA.
16	EA OUT: The output node of the error amplifier EA.
17	SS: The soft start node. Connect a capacitor from SS to GND.
18	GND: The ground return of the signal-level circuitry.
19	V_{IN}: The positive supply rail of the internal 4V regulator. Bypass V _{IN} to GND close to the IC with a 0.1 μF capacitor.
20	FREQ ADJ: The LM2650 switches at a nominal 90 kHz. Connect a resistor between FREQ ADJ and GND to adjust the frequency up from the nominal. Use the graph under Typical performance Characteristics to select the resistor.
21	SYNC: The synchronization input. If the switching frequency is to be synchronized with an external clock signal, apply the clock signal here. Ground if not used.
22	SD: Use this logic input to control shutdown; pull low for operation, high for shutdown.
23	SLEEP OUT ADJ (SOA): The value of the resistor connected between SIA and ground programs the sleep-in threshold. Higher values program lower thresholds.
24	SLEEP IN ADJ (SIA): The value of the resistor connected between SIA and ground programs the sleep-in threshold. Higher values program lower thresholds.

(1) Refer to the [Block Diagrams](#).



These devices have limited built-in ESD protection. The leads should be shorted together or the device placed in conductive foam during storage or handling to prevent electrostatic damage to the MOS gates.

Absolute Maximum Ratings⁽¹⁾⁽²⁾

(All voltages are referenced to the PGND and GND pins.)		
DC Voltage at PV _{IN} and V _{IN}		20V
DC Voltage at SD, SLEEP LOGIC and SYNC		15V
DC current into SW		±7.5A
Junction Temperature		Limited by the IC
DC Power Dissipation ⁽³⁾		1.28W
Storage Temperature		-65°C to +150°C
Soldering Time, Temperature ⁽⁴⁾	Wave (4 seconds)	260°C
	Infrared (10 seconds)	240°C
	Vapor Phase (75 seconds)	219°C
ESD Susceptibility ⁽⁵⁾		1.3 kV

- (1) Absolute Maximum Ratings are limits beyond which damage to the device may occur. Operating Ratings are conditions under which the device operates correctly. Operating ratings do not imply guaranteed performance limits. For guaranteed performance limits and associated test conditions, see the Electrical Characteristics.
- (2) If Military/Aerospace specified devices are required, please contact the Texas Instruments Sales Office/ Distributors for availability and specifications.
- (3) This rating is calculated using the formula $P_{DCmax} = (T_{Jmax} - T_A) / \theta_{JA}$, where P_{DCmax} is the absolute maximum power dissipation, T_{Jmax} is the maximum junction temperature, and θ_{JA} is the junction to ambient thermal resistance of the package. The P_{DCmax} rating of 1.28W results from substituting 170°C, 70°C and 78°C/W for T_{Jmax} , T_A and θ_{JA} respectively. A θ_{JA} of 78°C represents the worst condition of no heat sinking of the DW0024B small-outline package. Heat sinking allows the safe dissipation of more power. See Application Notes on thermal management. The LM2650 actively limits its junction temperature to about 170°C.
- (4) For detailed information on soldering plastic small-outline packages, refer to the Packaging Databook published by Texas Instruments.
- (5) ESD is applied using the human-body model, a 100pF capacitor discharged through a 1.5kΩ resistor.

Operating Ratings⁽¹⁾

Supply Voltage Range (PV _{IN} and V _{IN})	4.5V to 18V
Junction Temperature Range	-40°C to +125°C

- (1) Absolute Maximum Ratings are limits beyond which damage to the device may occur. Operating Ratings are conditions under which the device operates correctly. Operating ratings do not imply guaranteed performance limits. For guaranteed performance limits and associated test conditions, see the Electrical Characteristics.

Electrical Characteristics

V_{PVIN} = 15V, V_{SLEEP LOGIC} = 0V and V_{SD} = 0V unless superseded under **Conditions**. Typicals and limits appearing in plain type apply for T_A = T_J = +25°C. Limits appearing in **boldface** type apply over the full junction temperature range shown under

Operating Ratings.

Symbol	Parameter	Conditions	Typ ⁽¹⁾	Limit ⁽²⁾	Units
V _{OUT}	Output Voltage	R1 = 75 kΩ, 1%, R2 = 25 kΩ, 1%, 7.5V ≤ V _{PVIN} ≤ 18V 0.12A ≤ I _{LOAD} ≤ 3A	5.00	4.80/ 4.75 5.20/ 5.25	V V(min) V(max)
η1	System Efficiency	I _{LOAD} = 1A, T _A = 25°C, F _{OSC} Not Adjusted	94		%
η2	System Efficiency	I _{LOAD} = 3A, T _A = 25°C, F _{OSC} Not Adjusted	89		%
V _{REF}	Reference Voltage	V _{SLEEPLOGIC} = 3V ⁽³⁾	1.25	1.281/ 1.294 1.219/ 1.206	V(min) V(max)
I _Q	Quiescent Current in PWM mode	V _{FB} = V _{REF} -20mV ⁽⁴⁾	4.0	6.50/ 7.0	mA mA(max)
I _{QS}	Quiescent Current in Sleep mode	I _{VFB} = V _{REF} -20mV, V _{SLEEPLOGIC} = 3V ⁽⁴⁾	850	1.35/ 1.60	μA mA(max)

- (1) A typical is the center of characterization data taken at T_A = T_J = 25°C.
- (2) All limits are guaranteed. The guarantee is backed with 100% testing at T_A = T_J = 125°C and statistical correlation for room temperature and cold limits.
- (3) V_{REF} is measured at SLEEP OUT ADJ.
- (4) Quiescent current is the total current flowing into the P_{VIN} and V_{IN} pins. I_Q includes the current used to drive the gates of the two NMOS power FETs at the nominal switching frequency. I_{QS} includes no such current.

Electrical Characteristics (continued)

$V_{PVIN} = 15V$, $V_{SLEEP\ LOGIC} = 0V$ and $V_{SD} = 0V$ unless superseded under **Conditions**. Typical and limits appearing in plain type apply for $T_A = T_J = +25^\circ C$. Limits appearing in **boldface** type apply over the full junction temperature range shown under

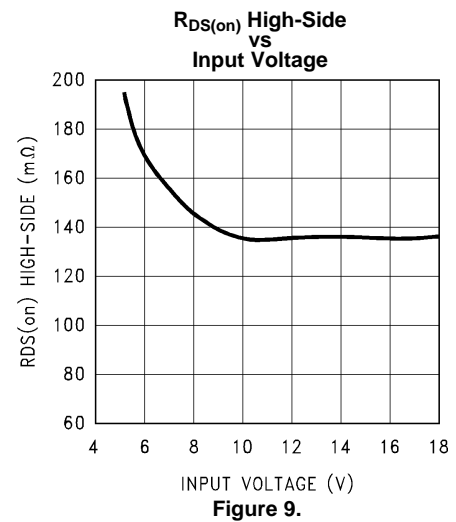
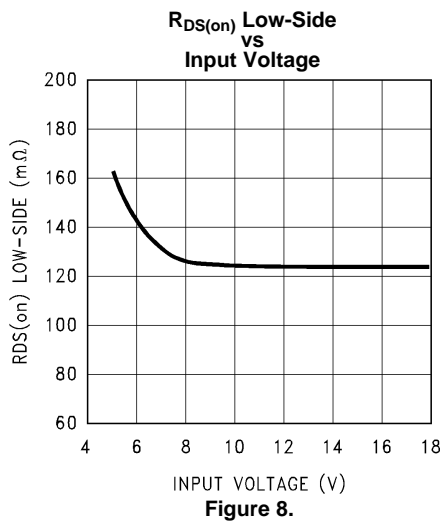
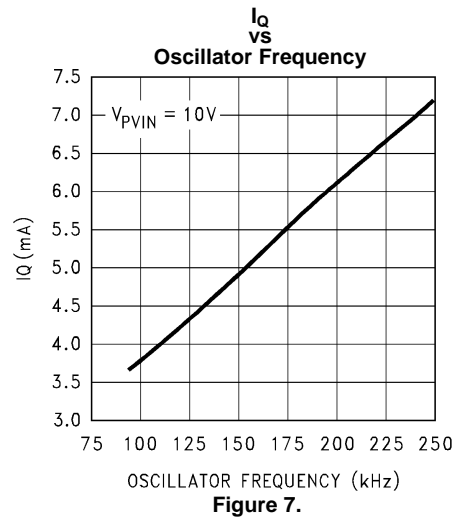
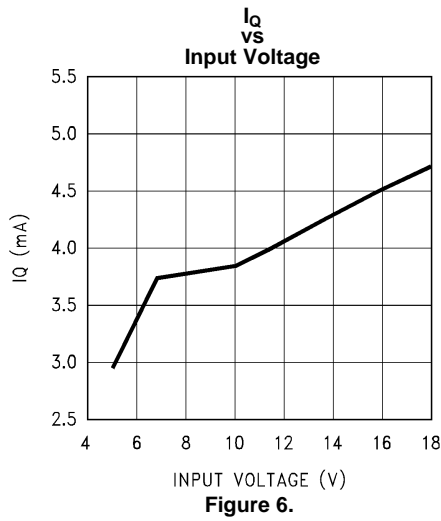
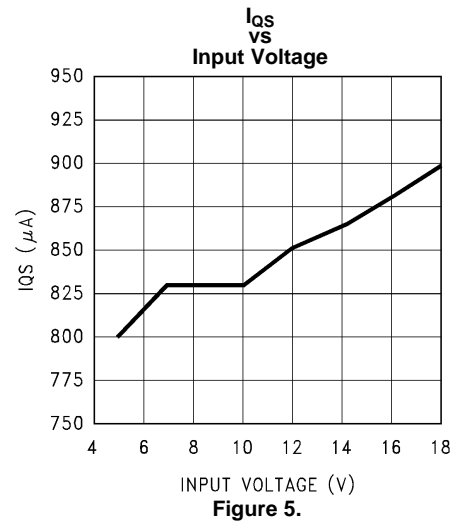
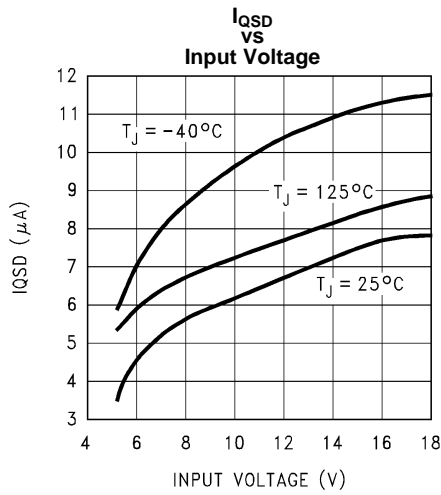
Operating Ratings.

Symbol	Parameter	Conditions	Typ ⁽¹⁾	Limit ⁽²⁾	Units
I_{QSD}	Quiescent Current in Shutdown mode	$V_{SD} = 3V^{(5)}$	9	20/ 25	μA $\mu A(max)$
$R_{DS(on)\ HS}$	DC On-Resistance Drain-to-Source of the High-Side Power Switch	$I_{DS} = 1A$, $V_{SLEEPLOGIC} = 3V$, $V_{FB} = 3V$, $V_{BOOT} = 24V$	130	170/ 245	m Ω m $\Omega(max)$
$R_{DS(on)\ LS}$	DC On-Resistance Drain-to-Source of the Low-Side Power Switch	$I_{DS} = 1A$, $V_{FB} = 3V$	125	175/ 245	m Ω m $\Omega(max)$
$I_{L\ HS}$	Leakage current of the High-Side Power Switch	$V_{PVIN} = 18V$, $V_{SW} = 0V$, $V_{SD} = 3V$	100	10	nA $\mu A(max)$
$I_{L\ LS}$	Leakage current of the Low-Side Power Switch	$V_{PVIN} = 18V$, $V_{SW} = 18V$, $V_{SD} = 3V$	95	210	μA $\mu A(max)$
I_{LIMIT}	Active Current Limit of the High-Side Power Switch	$V_{PVIN} = 15V$, $V_{BOOT} = 24V$, $V_{FB} = 3V$, $V_{SLEEPLOGIC} = 3V$,	5.5	3.5 7.5	A A(min) A(max)
F_{OSC}	Oscillator Frequency	$V_{FB} = V_{REF} - 20\ mV$	90	80/ 75 100/ 105	kHz kHz(min) kHz(max)
F_{MAX}	Maximum Oscillator Frequency	$I_{FREQ\ ADJ} = 100\mu A^{(6)}$, $V_{FB} = V_{REF} - 20\ mV$	315	270/ 260 360/ 370	kHz kHz(min) kHz(max)
D_{MAX}	Maximum Duty Cycle	$V_{FB} = V_{REF} - 20\ mV$, F_{OSC} Not Adjusted	97	94/ 93	% %(min)
D_{MIN}	Minimum Duty Cycle	$V_{FB} = V_{REF} + 50\ mV$, F_{OSC} Not Adjusted	2.8	5	% %(min)
V_{DD}	Internal Rail Voltage	$I_{VDD} = 1\ mA$	4.0	3.6/ 3.4 4.2/ 4.3	V V(min) V(max)
V_{BOOT}	Bootstrap Regulator Voltage (VRegH)	$I_{BOOT} = 1\ mA$	7.5	6.5/ 6.0	V V(min)
I_{SS}	Soft Start Current		10	13.5/ 20.0	μA $\mu A(max)$
V_{HYST}	Hysteresis of the Sleep Comparator (C2 Figure 16)	$V_{SLEEPLOGIC} = 3V$	30	10 50	mV mV(min) mV(max)
	V_{IL} of SD			0.95	V(max)
	V_{IH} of SD			2.10	V(min)
	V_{IL} of SLEEP LOGIC			0.9	V(max)
	V_{IH} of SLEEP LOGIC			2.0	V(min)
	V_{IL} of SYNC			0.50	V(max)
	V_{IH} of SYNC			1.45	V(min)
T_{SD}	T_J for Thermal Shutdown		170		$^\circ C$

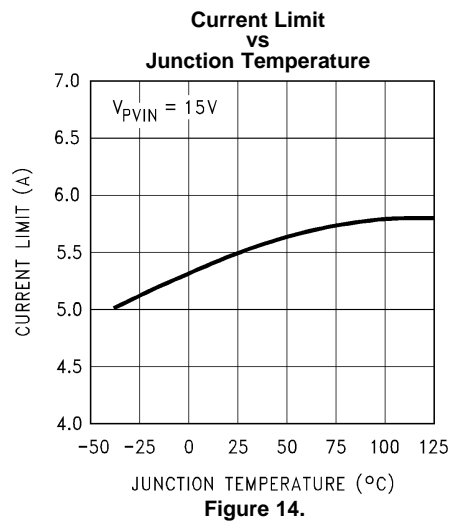
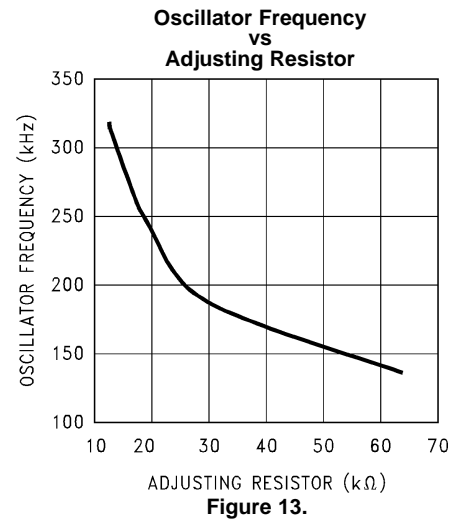
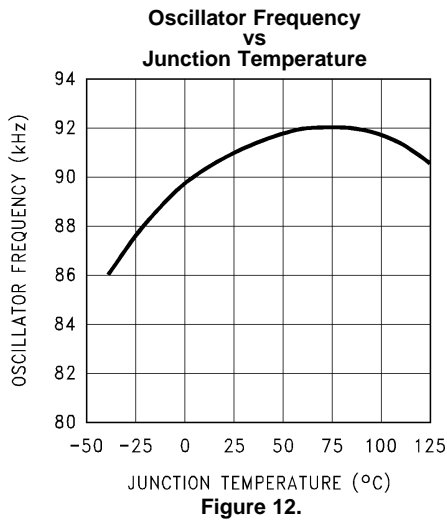
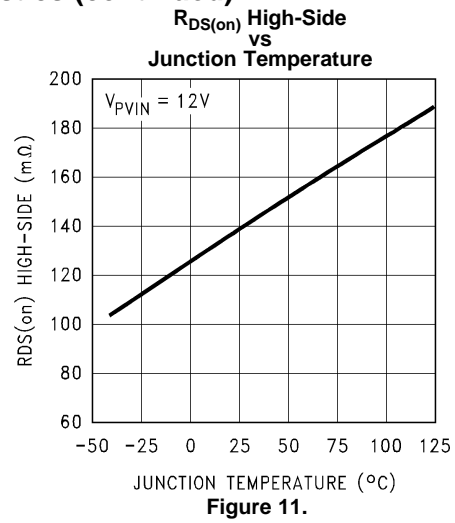
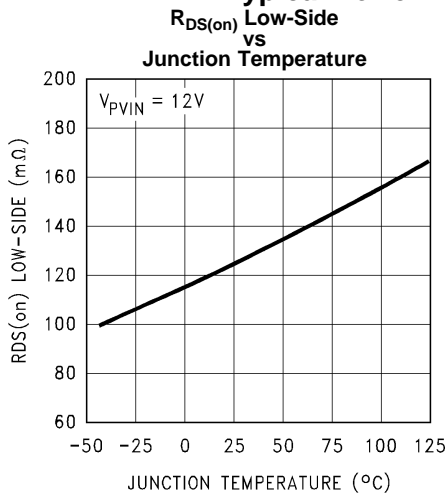
(5) Quiescent current is the total current flowing into the P_{VIN} and V_{IN} pins. I_Q includes the current used to drive the gates of the two NMOS power FETs at the nominal switching frequency. I_{QS} includes no such current.

(6) Pulling $100\mu A$ out of FREQ ADJ simulates adjusting the oscillator frequency with a $12.5\ k\Omega$ resistor connected from FREQ ADJ to GND. The sleep mode cannot be used at switching frequencies above 250 kHz.

Typical Performance Characteristics



Typical Performance Characteristics (continued)



Block Diagrams

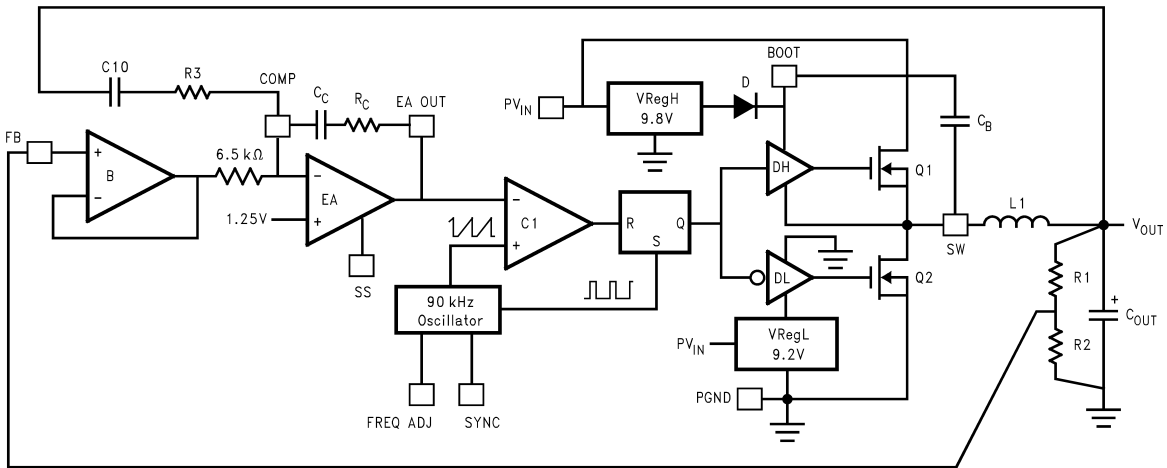


Figure 15. The PWM Circuit with External Components in a Closed Control Loop

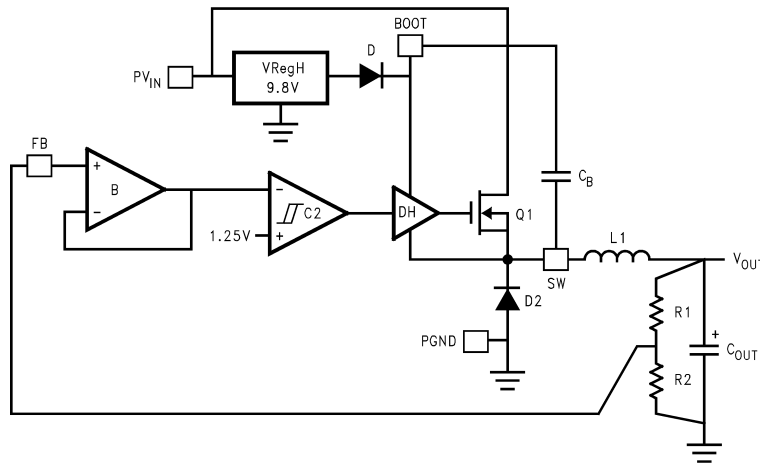


Figure 16. The Hysteretic or "Sleep" Circuit with External Components in a Closed Control Loop

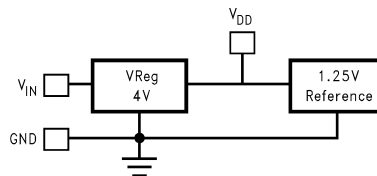


Figure 17. The Internal Voltage Regulator and Voltage Reference used by Both the PWM and Hysteretic Circuits

OPERATION

OVERVIEW

The LM2650 uses two step-down conversion modes: fixed-frequency pulse-width modulation (PWM) and hysteretic. It moves freely and automatically between them, using PWM for moderate to heavy loads and hysteretic for light loads.

For clarity, separate block diagrams for each conversion mode have been included. See [Figure 15](#) and [Figure 16](#). Blocks used in both modes appear in both diagrams with the same label. For example, both modes use the input buffer B. To keep the diagrams simple, most power supply rails have been omitted. R3, C10, R_C, C_C, C_B, L1, R1, R2, and C_{OUT} are outside the IC.

THE PWM CIRCUIT ([Figure 15](#))

The PWM is a fixed-frequency, voltage-mode pulse-width modulator. It consists of four functional blocks: an input buffer, an error amplifier, a modulator, and a power stage.

1. The input buffer B: B is a voltage follower. A fraction of the output voltage is fed back to its noninverting input FB. Circumventing B by using the COMP input as the feedback input will cause the IC to malfunction.
2. The error amplifier EA: EA is a voltage amplifier. It subtracts the feedback voltage from the 1.25V reference and amplifies the difference to produce an error voltage for the control loop. For the purpose of loop compensation, EA is typically configured as an integrator. In this configuration, a capacitor C_C and a resistor R_C are connected in series between the inverting input COMP and the output terminal EA OUT. The capacitor and the internal 6.5kΩ resistor create a pole, while the capacitor and series resistor create a zero.
3. The modulator: The modulator is the heart of the PWM circuit. It consists of the 90 kHz oscillator, the voltage comparator C1, and output logic represented here as a simple SR latch.
 - The modulator generates a continuous stream of rectangular, signal-level. It generates the pulses at a fixed frequency, and it modulates or varies their widths in response to variations in the error voltage. The pulses appear at Q, the output of the SR latch. An increase in the error voltage results in a proportional increase in the pulse widths, and, conversely, a decrease in the error voltage results in a proportional decrease in the pulse widths.
 - The oscillator produces a 90 kHz sawtooth that ramps between 1V and 2V. At the beginning of each ramp, the oscillator sets the SR latch sending Q high. As the ramp voltage surpasses the error voltage, C1 resets the SR latch sending Q low. An increase in the error voltage increases the time between the setting and the resetting of the SR latch which, in turn, results in an equal increase in pulse widths: that is, an equal increase in the time Q spends high in each cycle. A decrease in the error voltage has the opposite effect on the pulse widths as it decreases the time between the setting and resetting of the SR latch.
4. The power stage: The power stage puts some punch between the output of the modulator by translating the stream of signal-level pulses generated by the modulator into a stream of power pulses that swing from ground up to the input voltage while sinking and sourcing as much as 3.5A. The power stage consists of two gate drivers DH and DL, two linear voltage regulators VRegH and VRegL, and two NMOS power FETs Q1 and Q2.
 - The power pulses appear at the SW mode. When Q goes high, DL drives the gate of Q2 low turning Q2 off. While Q2 turns off, the SW potential may remain at just below ground as the body diode of Q2 conducts what was previously reverse current (source-to-drain) in Q2, or the SW potential may swing up to just above the input voltage as the body diode of Q1 conducts what was previously forward current (drain-to-source) in Q2. About 50 ns after Q goes high, DH drives the gate of Q1 high turning Q1 on. If the task remains, Q1 pulls the SW potential up, if not, Q1 simply takes over the conduction responsibility from its own body diode. When Q goes low, the inverse action occurs resulting in the SW potential swinging from the input voltage to the ground. The 50 ns delay between one switch beginning to turn off and the other switch beginning to turn on prevents the switches from "shooting through" directly from the input supply to the ground.

- The PWM circuit drives the pulse stream into the low-pass filter made up of L1 and C_{OUT}. The filter passed the DC component of the stream and attenuates the AC components. The output of the filter is the DC voltage V_{OUT} superimposed with a small ripple voltage. Since the DC component of any periodic waveforms the average value of the waveform, V_{OUT} can be found using:

$$V_{OUT} = \frac{1}{T} \times \int_0^T v(t) dt. \quad (1)$$

- Here T is the switching period in seconds V(t) is the pulse stream. Under DC steady-state conditions, (1) yields

$$V_{OUT} = V_{IN} \times \frac{t_{ON}}{T} = V_{IN} \times D. \quad (2)$$

- Here V_{IN} is the input voltage, and therefore the height of the pulses, in volts, is the width of the pulses in seconds, and D is the ratio of t_{ON} to T, the duty or the duty cycle.
- The output voltage is programmed using the resistive divider made up for R1 and R2,

$$V_{OUT} = 1.25 \times \left(1 + \frac{R1}{R2}\right). \quad (3)$$

- As Q1 turns on, its source voltage swings up to just below the input voltage. The LM2650 uses a simple technique called "bootstrapping" to pull the positive supply rail of DH (at BOOT) up along with the source voltage of Q1, but to a voltage above the input voltage. Because the source of Q1 and the positive supply rail of DH make the same voltage swing together, DH maintains the positive gate-to-source voltage required to turn Q1 on. Q12 plays an active role in pulling the supply rail of DH up and is therefore said to pull itself up by its "bootstraps", thus the name of the technique and of the BOOT pin.
- In the typical application, a capacitor CB is connected outside the IC between the BOOT and SW pins. When Q2 is on, the input supply charges CB through VRegH and the internal diode D.

THE HYSTERETIC CIRCUIT AND LOOP (Figure 16)

Except for C2, the hysteretic circuit borrows all its circuit blocks from the PWM circuit.

The hysteretic comparator C2 is a voltage comparator with built-in hysteresis V_{HYST} of typically 30mV centered at 1.25V.

The diode D2 is the body diode of Q2. The hysteretic circuit uses D2 as a rectifier instead of switching Q2 as a synchronous rectifier.

When the load current drops below the prescribed sleep-in threshold, the LM2650 shuts down the PWM loop and starts up the hysteretic loop. The hysteretic loop supports light loads more efficiently because it uses less power to support its own operation; it uses less bias power because it's a simpler loop having less circuit blocks to bias, and it switches slower, so it incurs lower switching losses.

The hysteretic control loop does not switch at a constant frequency. Instead, it monitors V_{OUT} and switches only when V_{OUT} reaches either side of a narrow window centered on the desired output voltage. C2 directs the switching based on its reading of the feedback voltage. Switching in this manner yields a regulated voltage consisting of the desired output voltage and an AC ripple voltage. The magnitude of the AC component can be approximated using

$$V_{OUT_PP} = V_{HYST} \times \frac{(R1 + R2)}{R2}. \quad (4)$$

For example, with V_{OUT} set to 5V, V_{OUT_PP} is approximately 120mV,

$$V_{OUT_PP} = 0.03 \times \frac{(75 + 24.9)}{24.9} = 120 \text{ mV}. \quad (5)$$

When it starts up, the hysteretic loop turns Q1 on. While Q1 is on, the input power supply charges C_{OUT} and supplies current to the load. Current from the supply reaches C and the load via the series path provided by Q1 and L1. As the feedback voltage just surpasses the upper hysteretic threshold of C2, the output of C2 changes from high to low, and HD responds by pulling the gate of Q1 down turning Q1 off. As Q1 turns off, L1 generates a negative-going voltage transient that D2 clamps at just below ground. D2 remains on only briefly as the current in L1 runs out. While both Q1 and D2 are off, C_{OUT} alone supplies current to the load. As the feedback voltage just surpasses the lower hysteretic threshold of C2, the output of C2 changes states from low to high, and DH responds by pulling the gate of Q1 up turning Q1 on and starting the hysteretic cycle over.

Note that as the load current decreases, it takes increasingly longer periods for the load current to discharge C_{OUT} through the hysteretic window, and as the load current increases, the periods become even shorter. It can be seen from the above observation that the switching frequency of the hysteretic loop varies as the load varies. The switching frequency can be approximated using

$$f = \frac{I}{(C_{OUT} \times V_{OUT_PP})} \tag{6}$$

Here f is the switching frequency in hertz, I is the load current in amperes, C_{OUT} is the value of the capacitor in farads, and V_{OUT_PP} is the magnitude of the AC ripple voltage in volts. Typical switching frequencies range anywhere from a few hertz for very light loads to a few thousand hertz for light loads bordering on the moderate level.

Application Circuits

Figure 18 is a schematic of the typical application circuit. use the component values shown in the figure and those contained in Table 1 to build a 5V, 3A, or 3.3V, 3A step-down DC/DC converter. As with the design of any DC/DC converter, the design of these circuits involved tradeoffs between efficiency, size, and cost. Here more weight was given to efficiency than to size as evidenced by the low switching frequency which keeps switching losses low but pushes the value and size of the inductor up.

From a smaller circuit, use the component values shown in Figure 18 and those contained in Table 3. These circuits trade slightly higher switching losses for a much smaller inductor. Note, Figure 18 does not show R_{FA} , the resistor required to adjust the switching frequency from 90 kHz up to 200 kHz. Connect R_{FA} between the FREQ ADJ pin and ground.

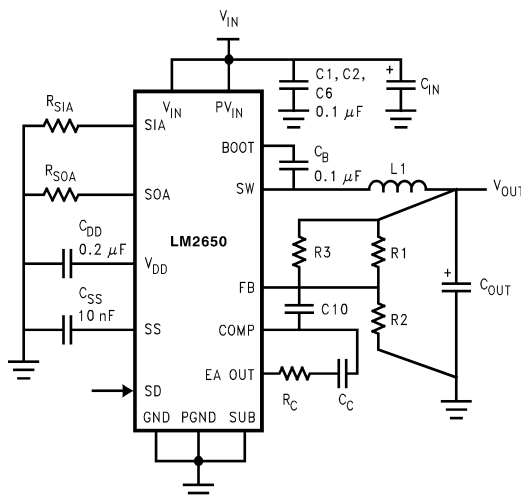


Figure 18. The Typical 90 kHz Application Circuit

Table 1. Components for the Typical 90 kHz Application Circuit

Input Voltage	7V to 18V IN	
Applicable Cell Stacks	8 to 12 Cell NiCd or NiMh, 3 to 4 Cell Li Ion, 8 to 11 Cell Alkaline, 6 Cell Lead Acid	
Output	5V, 3A Out	3.3V, 3A out
Input Capacitor C_{IN}	2 x 22 μ F, 35V AVX TPS Series or Sprague 593D Series	2 x 22 μ F, 35V AVX TPS Series or Sprague 593D Series
Inductor L1	40 μ H (See Table 2)	33 μ H (See Table 2)
Output Capacitor C_{OUT}	3x220 μ F, 10V AVX TPS Series or Sprague 593D Series	3x220 μ F, 10V AVX TPS Series or Sprague 593D Series
Feedback Resistors R1 and R2	R1 = 75k Ω , 1%, R2 = 24.9k Ω , 1%,	R1 = 41.2k Ω , 1%, R2 = 24.9k Ω , 1%,
Compensation Components R_C , C_C , R_3 , and C_{10}	R_C = 37.4 k Ω , C_C = 4.7 nF, R_3 = 3.57 k Ω , C_{10} = 5.6 nF	R_C = 23.2 k Ω , C_C = 8.2 nF, R_3 = 2.0 k Ω , C_{10} = 10 nF
Sleep Resistors R_{SIA} and R_{SOA}	R_{SIA} = 33 k Ω , R_{SOA} = 200 k Ω	R_{SIA} = 39 k Ω , R_{SOA} = 130 k Ω

Table 2. Toroidal Inductors Using Cores from MICROMETALS, INC.

	Core Number	Core Material	Wire Gauge	Number of Strands	Number of Turns
15μH	T38	-52	AWG # 23	1	21
20μH	T38	-52	AWG # 23	1	25
33μH	T50	-52	AWG # 21	1	41
40μH	T50 (B)	-18	AWG # 21	1	41

Table 3. Components for Typical 200 kHz Applications

Input Voltage	7V to 18V IN	
Applicable Cell Stacks	8 to 12 Cell NiCd or NiMh, 3 to 4 Cell Li Ion, 8 to 11 Cell Alkaline, 6 Cell Lead Acid	
Output	5V, 3A Out	3.3V, 3A out
Input Capacitor C _{IN}	2 x 22 μF, 35V AVX TPS Series or Sprague 593D Series	2 x 22 μF, 35V AVX TPS Series or Sprague 593D Series
Inductor L1	20μH (See Table 2)	15μH (See Table 2)
Output Capacitor C _{OUT}	3x220 μF, 10V AVX TPS Series or Sprague 593D Series	3x220 μF, 10V AVX TPS Series or Sprague 593D Series
Feedback Resistors R1 and R2	R1 = 75kΩ, 1%, R2 = 24.9kΩ, 1%,	R1 = 41.2kΩ, 1%, R2 = 24.9kΩ, 1%,
Compensation Components R _C , C _C , R ₃ , and C ₁₀	R _C = 53.6 kΩ, C _C = 2.7 nF, R ₃ = 4.02 kΩ, C ₁₀ = 4.7 nF	R _C = 33.2 kΩ, C _C = 3.9 nF, R ₃ = 3.01 kΩ, C ₁₀ = 6.8 nF
Sleep Resistors R _{SIA} and R _{SOA}	R _{SIA} = 33 kΩ, R _{SOA} = 200 kΩ	R _{SIA} = 47 kΩ, R _{SOA} = 91 kΩ
Frequency Adjusting Resistor R _{FA}	R _{FA} = 24.9 kΩ	R _{FA} = 24.9 kΩ

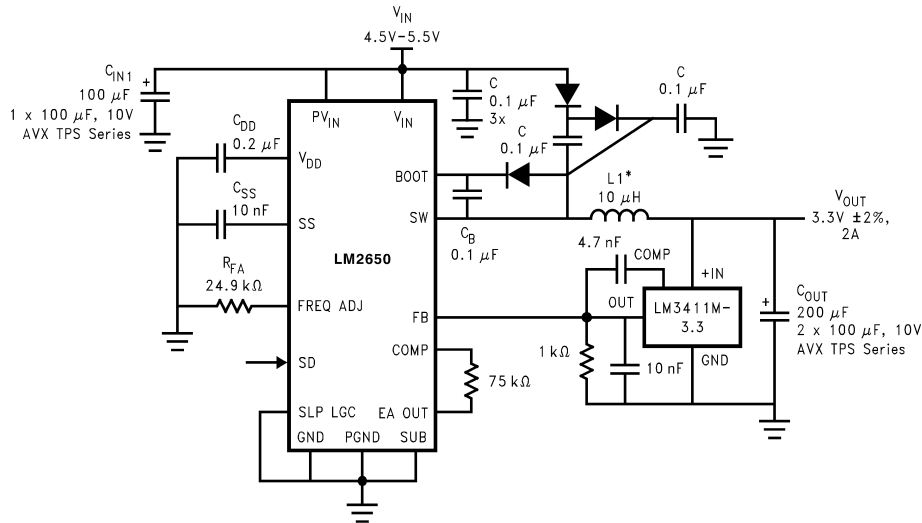


Figure 19. An Efficient, 2% Accurate 5V to 3.3V Converter

PACKAGING INFORMATION

Orderable Device	Status (1)	Package Type	Package Drawing	Pins	Package Qty	Eco Plan (2)	Lead/Ball Finish	MSL Peak Temp (3)	Op Temp (°C)	Top-Side Markings (4)	Samples
LM2650M-ADJ	ACTIVE	SOIC	DW	24	30	TBD	Call TI	Call TI	-40 to 125	LM2650M -ADJ	Samples
LM2650M-ADJ/NOPB	ACTIVE	SOIC	DW	24	30	Green (RoHS & no Sb/Br)	CU SN	Level-3-260C-168 HR	-40 to 125	LM2650M -ADJ	Samples
LM2650MX-ADJ	ACTIVE	SOIC	DW	24	1000	TBD	Call TI	Call TI	-40 to 125	LM2650M -ADJ	Samples
LM2650MX-ADJ/NOPB	ACTIVE	SOIC	DW	24	1000	Green (RoHS & no Sb/Br)	CU SN	Level-3-260C-168 HR	-40 to 125	LM2650M -ADJ	Samples

(1) The marketing status values are defined as follows:

ACTIVE: Product device recommended for new designs.

LIFEBUY: TI has announced that the device will be discontinued, and a lifetime-buy period is in effect.

NRND: Not recommended for new designs. Device is in production to support existing customers, but TI does not recommend using this part in a new design.

PREVIEW: Device has been announced but is not in production. Samples may or may not be available.

OBSOLETE: TI has discontinued the production of the device.

(2) Eco Plan - The planned eco-friendly classification: Pb-Free (RoHS), Pb-Free (RoHS Exempt), or Green (RoHS & no Sb/Br) - please check <http://www.ti.com/productcontent> for the latest availability information and additional product content details.

TBD: The Pb-Free/Green conversion plan has not been defined.

Pb-Free (RoHS): TI's terms "Lead-Free" or "Pb-Free" mean semiconductor products that are compatible with the current RoHS requirements for all 6 substances, including the requirement that lead not exceed 0.1% by weight in homogeneous materials. Where designed to be soldered at high temperatures, TI Pb-Free products are suitable for use in specified lead-free processes.

Pb-Free (RoHS Exempt): This component has a RoHS exemption for either 1) lead-based flip-chip solder bumps used between the die and package, or 2) lead-based die adhesive used between the die and leadframe. The component is otherwise considered Pb-Free (RoHS compatible) as defined above.

Green (RoHS & no Sb/Br): TI defines "Green" to mean Pb-Free (RoHS compatible), and free of Bromine (Br) and Antimony (Sb) based flame retardants (Br or Sb do not exceed 0.1% by weight in homogeneous material)

(3) MSL, Peak Temp. -- The Moisture Sensitivity Level rating according to the JEDEC industry standard classifications, and peak solder temperature.

(4) Only one of markings shown within the brackets will appear on the physical device.

Important Information and Disclaimer: The information provided on this page represents TI's knowledge and belief as of the date that it is provided. TI bases its knowledge and belief on information provided by third parties, and makes no representation or warranty as to the accuracy of such information. Efforts are underway to better integrate information from third parties. TI has taken and continues to take reasonable steps to provide representative and accurate information but may not have conducted destructive testing or chemical analysis on incoming materials and chemicals. TI and TI suppliers consider certain information to be proprietary, and thus CAS numbers and other limited information may not be available for release.

In no event shall TI's liability arising out of such information exceed the total purchase price of the TI part(s) at issue in this document sold by TI to Customer on an annual basis.

TAPE AND REEL INFORMATION

QUADRANT ASSIGNMENTS FOR PIN 1 ORIENTATION IN TAPE


*All dimensions are nominal

Device	Package Type	Package Drawing	Pins	SPQ	Reel Diameter (mm)	Reel Width W1 (mm)	A0 (mm)	B0 (mm)	K0 (mm)	P1 (mm)	W (mm)	Pin1 Quadrant
LM2650MX-ADJ	SOIC	DW	24	1000	330.0	24.4	10.8	15.9	3.2	12.0	24.0	Q1
LM2650MX-ADJ/NOPB	SOIC	DW	24	1000	330.0	24.4	10.8	15.9	3.2	12.0	24.0	Q1

TAPE AND REEL BOX DIMENSIONS


*All dimensions are nominal

Device	Package Type	Package Drawing	Pins	SPQ	Length (mm)	Width (mm)	Height (mm)
LM2650MX-ADJ	SOIC	DW	24	1000	358.0	343.0	63.0
LM2650MX-ADJ/NOPB	SOIC	DW	24	1000	358.0	343.0	63.0

DW (R-PDSO-G24)

PLASTIC SMALL OUTLINE



- NOTES:
- All linear dimensions are in inches (millimeters). Dimensioning and tolerancing per ASME Y14.5M-1994.
 - This drawing is subject to change without notice.
 - Body dimensions do not include mold flash or protrusion not to exceed 0.006 (0,15).
 - Falls within JEDEC MS-013 variation AD.

IMPORTANT NOTICE

Texas Instruments Incorporated and its subsidiaries (TI) reserve the right to make corrections, enhancements, improvements and other changes to its semiconductor products and services per JESD46, latest issue, and to discontinue any product or service per JESD48, latest issue. Buyers should obtain the latest relevant information before placing orders and should verify that such information is current and complete. All semiconductor products (also referred to herein as "components") are sold subject to TI's terms and conditions of sale supplied at the time of order acknowledgment.

TI warrants performance of its components to the specifications applicable at the time of sale, in accordance with the warranty in TI's terms and conditions of sale of semiconductor products. Testing and other quality control techniques are used to the extent TI deems necessary to support this warranty. Except where mandated by applicable law, testing of all parameters of each component is not necessarily performed.

TI assumes no liability for applications assistance or the design of Buyers' products. Buyers are responsible for their products and applications using TI components. To minimize the risks associated with Buyers' products and applications, Buyers should provide adequate design and operating safeguards.

TI does not warrant or represent that any license, either express or implied, is granted under any patent right, copyright, mask work right, or other intellectual property right relating to any combination, machine, or process in which TI components or services are used. Information published by TI regarding third-party products or services does not constitute a license to use such products or services or a warranty or endorsement thereof. Use of such information may require a license from a third party under the patents or other intellectual property of the third party, or a license from TI under the patents or other intellectual property of TI.

Reproduction of significant portions of TI information in TI data books or data sheets is permissible only if reproduction is without alteration and is accompanied by all associated warranties, conditions, limitations, and notices. TI is not responsible or liable for such altered documentation. Information of third parties may be subject to additional restrictions.

Resale of TI components or services with statements different from or beyond the parameters stated by TI for that component or service voids all express and any implied warranties for the associated TI component or service and is an unfair and deceptive business practice. TI is not responsible or liable for any such statements.

Buyer acknowledges and agrees that it is solely responsible for compliance with all legal, regulatory and safety-related requirements concerning its products, and any use of TI components in its applications, notwithstanding any applications-related information or support that may be provided by TI. Buyer represents and agrees that it has all the necessary expertise to create and implement safeguards which anticipate dangerous consequences of failures, monitor failures and their consequences, lessen the likelihood of failures that might cause harm and take appropriate remedial actions. Buyer will fully indemnify TI and its representatives against any damages arising out of the use of any TI components in safety-critical applications.

In some cases, TI components may be promoted specifically to facilitate safety-related applications. With such components, TI's goal is to help enable customers to design and create their own end-product solutions that meet applicable functional safety standards and requirements. Nonetheless, such components are subject to these terms.

No TI components are authorized for use in FDA Class III (or similar life-critical medical equipment) unless authorized officers of the parties have executed a special agreement specifically governing such use.

Only those TI components which TI has specifically designated as military grade or "enhanced plastic" are designed and intended for use in military/aerospace applications or environments. Buyer acknowledges and agrees that any military or aerospace use of TI components which have **not** been so designated is solely at the Buyer's risk, and that Buyer is solely responsible for compliance with all legal and regulatory requirements in connection with such use.

TI has specifically designated certain components as meeting ISO/TS16949 requirements, mainly for automotive use. In any case of use of non-designated products, TI will not be responsible for any failure to meet ISO/TS16949.

Products

Audio	www.ti.com/audio
Amplifiers	amplifier.ti.com
Data Converters	dataconverter.ti.com
DLP® Products	www.dlp.com
DSP	dsp.ti.com
Clocks and Timers	www.ti.com/clocks
Interface	interface.ti.com
Logic	logic.ti.com
Power Mgmt	power.ti.com
Microcontrollers	microcontroller.ti.com
RFID	www.ti-rfid.com
OMAP Applications Processors	www.ti.com/omap
Wireless Connectivity	www.ti.com/wirelessconnectivity

Applications

Automotive and Transportation	www.ti.com/automotive
Communications and Telecom	www.ti.com/communications
Computers and Peripherals	www.ti.com/computers
Consumer Electronics	www.ti.com/consumer-apps
Energy and Lighting	www.ti.com/energy
Industrial	www.ti.com/industrial
Medical	www.ti.com/medical
Security	www.ti.com/security
Space, Avionics and Defense	www.ti.com/space-avionics-defense
Video and Imaging	www.ti.com/video

TI E2E Community

e2e.ti.com