

## LM117HV/LM317HV 3-Terminal Adjustable Regulator

### General Description

The LM117HV/LM317HV are adjustable 3-terminal positive voltage regulators capable of supplying in excess of 1.5A over a 1.2V to 57V output range. They are exceptionally easy to use and require only two external resistors to set the output voltage. Further, both line and load regulation are better than standard fixed regulators. Also, the LM117HV is packaged in standard transistor packages which are easily mounted and handled.

In addition to higher performance than fixed regulators, the LM117HV series offers full overload protection available only in IC's. Included on the chip are current limit, thermal overload protection and safe area protection. All overload protection circuitry remains fully functional even if the adjustment terminal is disconnected.

Normally, no capacitors are needed unless the device is situated more than 6 inches from the input filter capacitors in which case an input bypass is needed. An optional output capacitor can be added to improve transient response. The adjustment terminal can be bypassed to achieve very high ripple rejections ratios which are difficult to achieve with standard 3-terminal regulators.

Besides replacing fixed regulators, the LM117HV is useful in a wide variety of other applications. Since the regulator is "floating" and sees only the input-to-output differential voltage, supplies of several hundred volts can be regulated as long as the maximum input to output differential is not exceeded, i.e. do not short the output to ground.

Also, it makes an especially simple adjustable switching regulator, a programmable output regulator, or by connecting a fixed resistor between the adjustment and output, the LM117HV can be used as a precision current regulator. Supplies with electronic shutdown can be achieved by clamping the adjustment terminal to ground which programs the output to 1.2V where most loads draw little current.

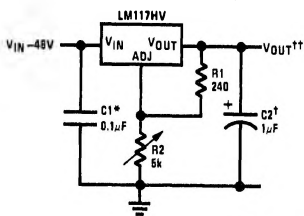
The LM117HVK STEEL and LM317HVK STEEL are packaged in standard TO-3 transistor packages, while the LM117HVH and LM317HVH are packaged in a solid Kovar base TO-39 transistor package. The LM317HVT uses a TO-220 plastic package. The LM117HV is rated for operation from  $-55^{\circ}\text{C}$  to  $+150^{\circ}\text{C}$ , and the LM317HV from  $0^{\circ}\text{C}$  to  $+125^{\circ}\text{C}$ .

### Features

- Adjustable output down to 1.2V
- Guaranteed 1.5A output current
- Line regulation typically 0.01%/V
- Load regulation typically 0.1%
- Current limit constant with temperature
- 100% electrical burn-in
- Eliminates the need to stock many voltages
- Standard 3-lead transistor package
- 80 dB ripple rejection
- Output is short-circuit protected
- P+ Product Enhancement tested

### Typical Applications

#### 1.2V-45V Adjustable Regulator



TL/H/9082-1

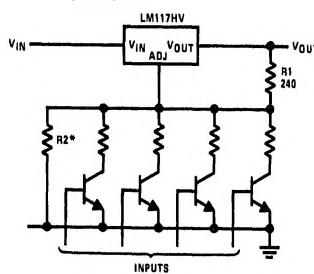
Full output current not available at high input-output voltages

†Optional—Improves transient response. Output capacitors in the range of  $1\ \mu\text{F}$  to  $1000\ \mu\text{F}$  of aluminum or tantalum electrolytic are commonly used to provide improved output impedance and rejection of transients.

\*Needed if device is more than 6 inches from filter capacitors.

$$\dagger\dagger V_{\text{OUT}} = 1.25\text{V} \left( 1 + \frac{R_2}{R_1} \right) + I_{\text{ADJ}} R_2$$

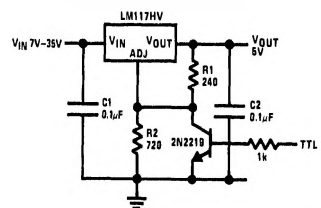
#### Digitally Selected Outputs



TL/H/9082-2

\*Sets maximum  $V_{\text{OUT}}$

#### 5V Logic Regulator with Electronic Shutdown\*



TL/H/9082-3

\*Min. output  $\approx 1.2\text{V}$

## Absolute Maximum Ratings

If Military/Aerospace specified devices are required, please contact the National Semiconductor Sales Office/Distributors for availability and specifications.

(Note 3)

Power Dissipation Internally limited  
Input—Output Voltage Differential +60V, -0.3V

Operating Junction Temperature Range

LM117HV -55°C to +150°C  
LM317HV 0°C to +125°C

Storage Temperature -65°C to +150°C

Lead Temperature (Soldering, 10 sec.) 300°C

ESD Tolerance (Note 4) 2000V

## Electrical Characteristics (Note 1)

| Parameter   | Conditions   | LM117HV |       |      | LM317HV |       |      | Units                     |
|---|--|---------|-------|------|---------|-------|------|---------------------------|
|   |  | Min     | Typ   | Max  | Min     | Typ   | Max  |                           |
| Line Regulation   | $T_J = 25^\circ\text{C}$ , $3V \leq V_{IN} - V_{OUT} \leq 60V$<br>(Note 2) $I_L = 10\text{ mA}$                            |         | 0.01  | 0.02 |         | 0.01  | 0.04 | %/V                       |
| Load Regulation   | $T_J = 25^\circ\text{C}$ , $10\text{ mA} \leq I_{OUT} \leq I_{MAX}$  |         | 0.1   | 0.3  |         | 0.1   | 0.5  | %                         |
| Thermal Regulation  | $T_J = 25^\circ\text{C}$ , 20 ms Pulse   |         | 0.03  | 0.07 |         | 0.04  | 0.07 | %/W                       |
| Adjustment Pin Current                                    |  |         | 50    | 100  |         | 50    | 100  | $\mu\text{A}$             |
| Adjustment Pin Current Change                             | $10\text{ mA} \leq I_L \leq I_{MAX}$<br>$3.0\text{ V} \leq (V_{IN} - V_{OUT}) \leq 60V$                                    |         | 0.2   | 5    |         | 0.2   | 5    | $\mu\text{A}$             |
| Reference Voltage   | $3.0\text{ V} \leq (V_{IN} - V_{OUT}) \leq 60V$ , (Note 3)<br>$10\text{ mA} \leq I_{OUT} \leq I_{MAX}$ , $P \leq P_{MAX}$  | 1.20    | 1.25  | 1.30 | 1.20    | 1.25  | 1.30 | V                         |
| Line Regulation   | $3.0V \leq (V_{IN} - V_{OUT}) \leq 60V$ , $I_L = 10\text{ mA}$ , (Note 2)  |         | 0.02  | 0.05 |         | 0.02  | 0.07 | %/V                       |
| Load Regulation   | $10\text{ mA} \leq I_{OUT} \leq I_{MAX}$ (Note 2)  |         | 0.3   | 1    |         | 0.3   | 1.5  | %                         |
| Temperature Stability                                     | $T_{MIN} \leq T_J \leq T_{MAX}$  |         | 1     |      |         | 1     |      | %                         |
| Minimum Load Current                                      | $(V_{IN} - V_{OUT}) = 60V$   |         | 3.5   | 7    |         | 3.5   | 12   | mA                        |
| Current Limit   | $(V_{IN} - V_{OUT}) \leq 15V$<br>K, T Packages<br>H Package<br>$(V_{IN} - V_{OUT}) \leq 60V$<br>K, T Packages<br>H Package | 1.5     | 2.2   | 3.5  | 1.5     | 2.2   | 3.7  | A                         |
|   |  | 0.5     | 0.8   | 1.8  | 0.5     | 0.8   | 1.9  | A                         |
|   |  |         | 0.3   |      |         | 0.3   |      | A                         |
|   |  |         | 0.03  |      |         | 0.03  |      | A                         |
| RMS Output Noise, % of $V_{OUT}$                          | $T_J = 25^\circ\text{C}$ , $10\text{ Hz} \leq f \leq 10\text{ kHz}$  |         | 0.003 |      |         | 0.003 |      | %                         |
| Ripple Rejection Ratio                                    | $V_{OUT} = 10V$ , $f = 120\text{ Hz}$<br>$C_{ADJ} = 10\ \mu\text{F}$   | 66      | 65    |      | 66      | 65    |      | dB                        |
|   |  |         | 80    |      |         | 80    |      | dB                        |
| Long-Term Stability                                       | $T_J = 125^\circ\text{C}$  |         | 0.3   | 1    |         | 0.3   | 1    | %                         |
| Thermal Resistance,<br>Junction to Case                   | H Package  |         | 12    | 15   |         | 12    | 15   | $^\circ\text{C}/\text{W}$ |
|   | T Package  |         |       |      |         | 4     | 5    | $^\circ\text{C}/\text{W}$ |
|   | K Package  |         | 2.3   | 3    |         | 2.3   | 3    | $^\circ\text{C}/\text{W}$ |
| Thermal Resistance,<br>Junction to Ambient (no heat sink) | H Package  |         | 140   |      |         | 140   |      | $^\circ\text{C}/\text{W}$ |
|   | T Package  |         |       |      |         | 50    |      | $^\circ\text{C}/\text{W}$ |
|   | K Package  |         | 35    |      |         | 35    |      | $^\circ\text{C}/\text{W}$ |

**Note 1:** Unless otherwise specified, these specifications apply:  $-55^\circ\text{C} \leq T_J \leq +150^\circ\text{C}$  for the LM117HV, and  $0^\circ\text{C} \leq T_J \leq +125^\circ\text{C}$  for the LM317HV;  $V_{IN} - V_{OUT} = 5V$  and  $I_{OUT} = 0.1A$  for the TO-39 package and  $I_{OUT} = 0.5A$  for the TO-3 and TO-220 packages. Although power dissipation is internally limited, these specifications are applicable for power dissipations of 2W for the TO-39 and 20W for the TO-3 and TO-220.  $I_{MAX}$  is 1.5A for the TO-3 and TO-220 and 0.5A for the TO-39 package.

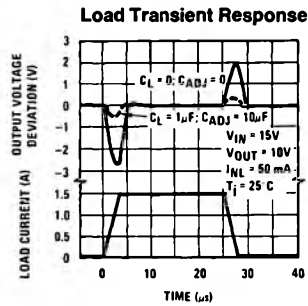
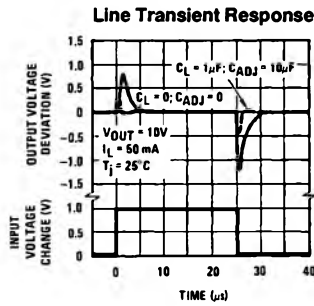
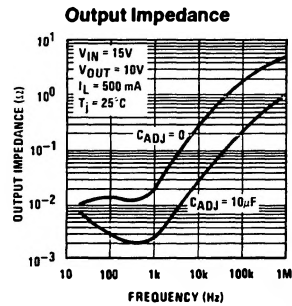
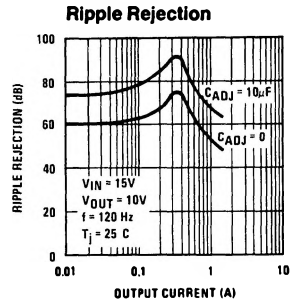
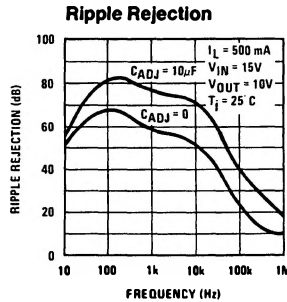
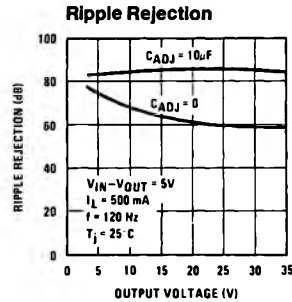
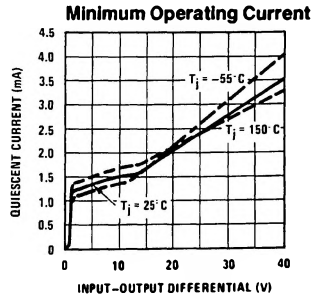
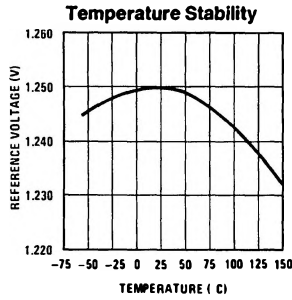
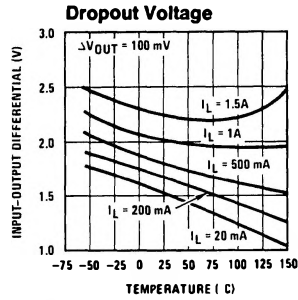
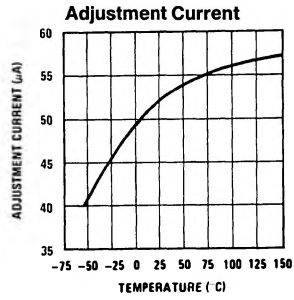
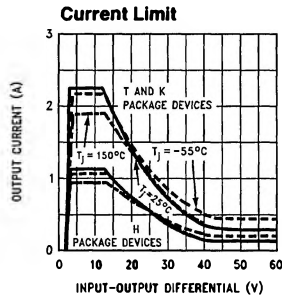
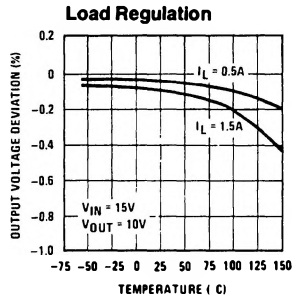
**Note 2:** Regulation is measured at constant junction temperature. Changes in output voltage due to heating effects must be taken into account separately. Pulse testing with low duty cycle is used.

**Note 3:** Refer to RETS117HVH for LM117HVH or RETS117HVK for LM117HVK military specifications.

**Note 4:** Human body model, 1.5 k $\Omega$  in series with 100 pF.

# Typical Performance Characteristics

Output capacitor = 0  $\mu$ F unless otherwise noted.



## Application Hints

In operation, the LM117HV develops a nominal 1.25V reference voltage,  $V_{REF}$ , between the output and adjustment terminal. The reference voltage is impressed across program resistor R1 and, since the voltage is constant, a constant current  $I_1$  then flows through the output set resistor R2, giving an output voltage of

$$V_{OUT} = V_{REF} \left( 1 + \frac{R_2}{R_1} \right) + I_{ADJ} R_2$$

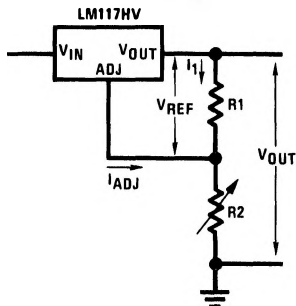


FIGURE 1

TL/H/9062-5

Since the 100  $\mu$ A current from the adjustment terminal represents an error term, the LM117HV was designed to minimize  $I_{ADJ}$  and make it very constant with line and load changes. To do this, all quiescent operating current is returned to the output establishing a minimum load current requirement. If there is insufficient load on the output, the output will rise.

### External Capacitors

An input bypass capacitor is recommended. A 0.1  $\mu$ F disc or 1  $\mu$ F solid tantalum on the input is suitable input bypassing for almost all applications. The device is more sensitive to the absence of input bypassing when adjustment or output capacitors are used but the above values will eliminate the possibility of problems.

The adjustment terminal can be bypassed to ground on the LM117HV to improve ripple rejection. This bypass capacitor prevents ripple from being amplified as the output voltage is increased. With a 10  $\mu$ F bypass capacitor 80 dB ripple rejection is obtainable at any output level. Increases over 10  $\mu$ F do not appreciably improve the ripple rejection at frequencies above 120 Hz. If the bypass capacitor is used, it is sometimes necessary to include protection diodes to prevent the capacitor from discharging through internal low current paths and damaging the device.

In general, the best type of capacitors to use are solid tantalum. Solid tantalum capacitors have low impedance even at high frequencies. Depending upon capacitor construction, it takes about 25  $\mu$ F in aluminum electrolytic to equal 1  $\mu$ F solid tantalum at high frequencies. Ceramic capacitors are also good at high frequencies; but some types have a large decrease in capacitance at frequencies around 0.5 MHz. For this reason, 0.01  $\mu$ F disc may seem to work better than a 0.1  $\mu$ F disc as a bypass.

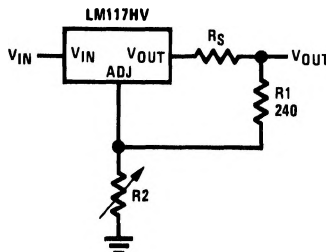
Although the LM117HV is stable with no output capacitors, like any feedback circuit, certain values of external capaci-

tance can cause excessive ringing. This occurs with values between 500 pF and 5000 pF. A 1  $\mu$ F solid tantalum (or 25  $\mu$ F aluminum electrolytic) on the output swamps this effect and insures stability. Any increase of load capacitance larger than 10  $\mu$ F will merely improve the loop stability and output impedance.

### Load Regulation

The LM117HV is capable of providing extremely good load regulation but a few precautions are needed to obtain maximum performance. The current set resistor connected between the adjustment terminal and the output terminal (usually 240 $\Omega$ ) should be tied directly to the output of the regulator rather than near the load. This eliminates line drops from appearing effectively in series with the reference and degrading regulation. For example, a 15V regulator with 0.05 $\Omega$  resistance between the regulator and load will have a load regulation due to line resistance of  $0.05\Omega \times I_L$ . If the set resistor is connected near the load the effective line resistance will be 0.05 $\Omega$  (1 + R2/R1) or in this case, 11.5 times worse.

Figure 2 shows the effect of resistance between the regulator and 240 $\Omega$  set resistor.



TL/H/9062-6

FIGURE 2. Regulator with Line Resistance in Output Lead

With the TO-3 package, it is easy to minimize the resistance from the case to the set resistor, by using two separate leads to the case. However, with the TO-5 package, care should be taken to minimize the wire length of the output lead. The ground of R2 can be returned near the ground of the load to provide remote ground sensing and improve load regulation.

### Protection Diodes

When external capacitors are used with any IC regulator it is sometimes necessary to add protection diodes to prevent the capacitors from discharging through low current points into the regulator. Most 10  $\mu$ F capacitors have low enough internal series resistance to deliver 20A spikes when shorted. Although the surge is short, there is enough energy to damage parts of the IC.

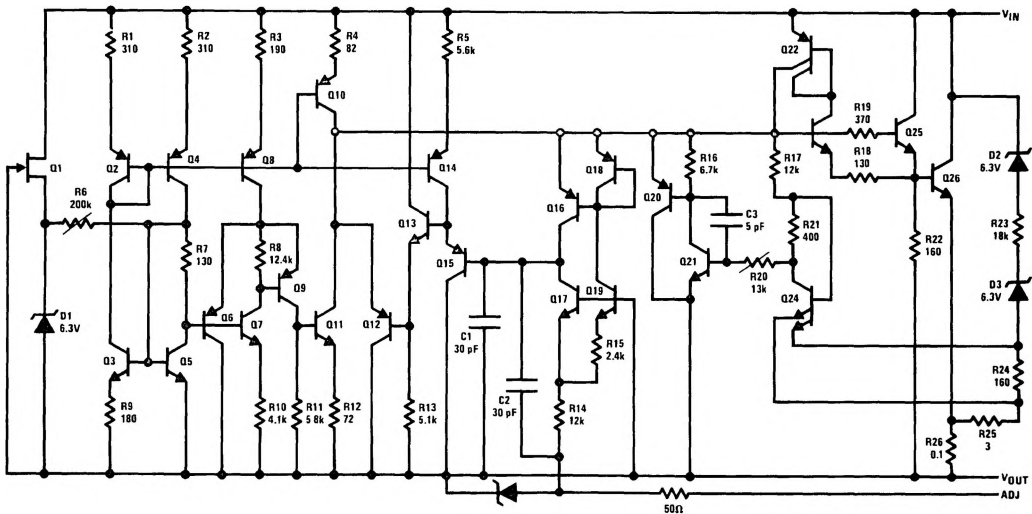
When an output capacitor is connected to a regulator and the input is shorted, the output capacitor will discharge into the output of the regulator. The discharge current depends on the value of the capacitor, the output voltage of the regulator, and the rate of decrease of  $V_{IN}$ . In the LM117HV, this discharge path is through a large junction that is able to sustain 15A surge with no problem. This is not true of other types of positive regulators. For output capacitors of 25  $\mu$ F or less, there is no need to use diodes.

The bypass capacitor on the adjustment terminal can discharge through a low current junction. Discharge occurs when *either* the input or output is shorted. Internal to the LM117HV is a 50Ω resistor which limits the peak discharge current. No protection is needed for output voltages of 25V or less and 10 μF capacitance. *Figure 3* shows an LM117HV with protection diodes included for use with outputs greater than 25V and high values of output capacitance.

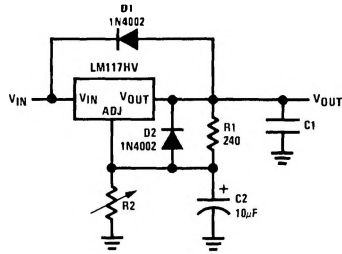
**Current Limit**

Internal current limit will be activated whenever the output current exceeds the limit indicated in the Typical Performance Characteristics. However, if during a short circuit condition the regulator's differential voltage exceeds the Absolute Maximum Rating of 60V (e.g.  $V_{IN} \geq 60V$ ,  $V_{OUT} = 0V$ ), internal junctions in the regulator may break down and the device may be damaged or fail. Failure modes range from an apparent open or short from input to output of the regulator, to a destroyed package (most common with the TO-220 package). To protect the regulator, the user is advised to be aware of voltages that may be applied to the regulator during fault conditions, and to avoid violating the Absolute Maximum Ratings.

**Schematic Diagram**



TL/H/9062-B



TL/H/9062-7

**FIGURE 3. Regulator with Protection Diodes**

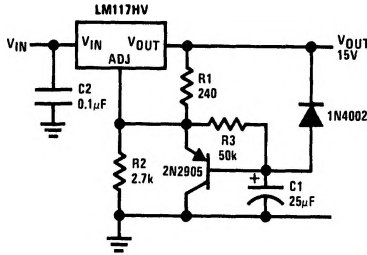
$$V_{OUT} = 1.25V \left( 1 + \frac{R_2}{R_1} \right) + I_{ADJ}R_2$$

D1 protects against C1

D2 protects against C2

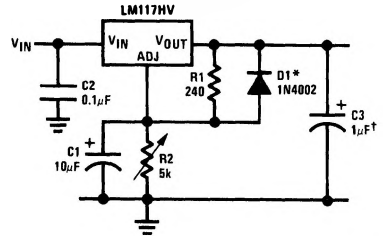
# Typical Applications (Continued)

## Slow Turn-On 15V Regulator



TL/H/9062-9

## Adjustable Regulator with Improved Ripple Rejection

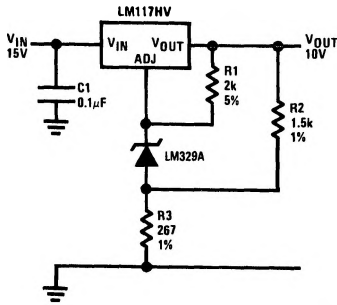


TL/H/9062-10

†Solid tantalum

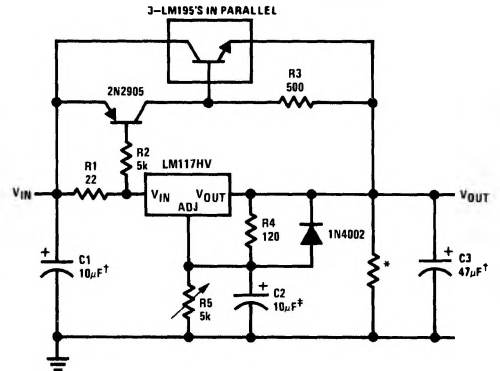
\*Discharges C1 if output is shorted to ground

## High Stability 10V Regulator



TL/H/9062-11

## High Current Adjustable Regulator



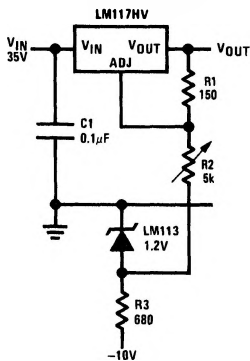
TL/H/9062-12

†Solid tantalum

\*Minimum load current = 30 mA

‡Optional—improves ripple rejection

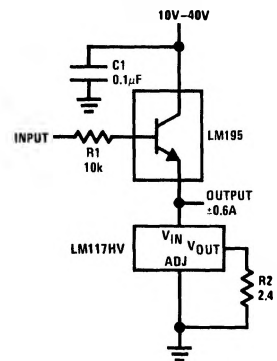
## 0 to 30V Regulator



TL/H/9062-13

Full output current not available  
at high input-output voltages

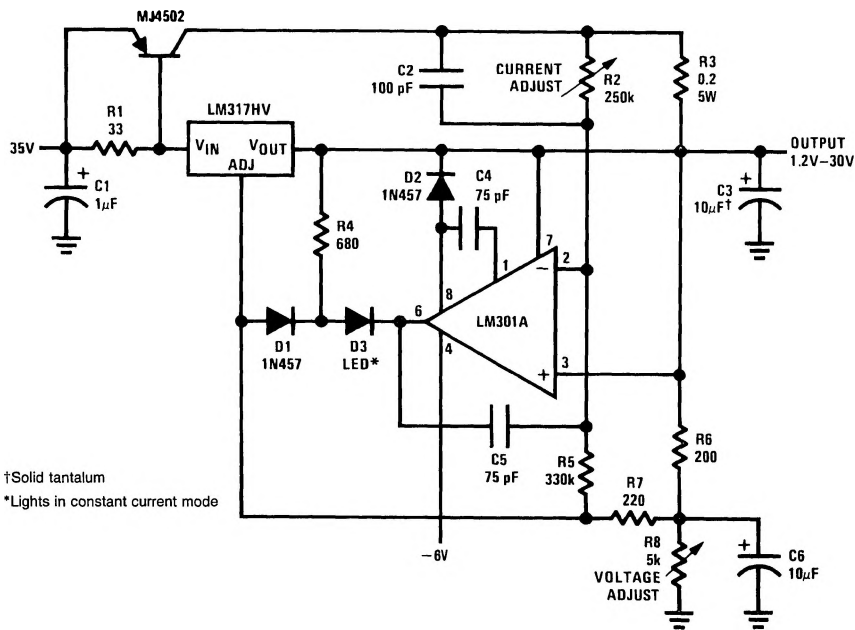
## Power Follower



TL/H/9062-14

Typical Applications (Continued)

5A Constant Voltage/Constant Current Regulator

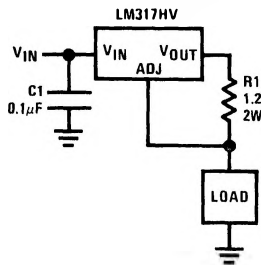


†Solid tantalum

\*Lights in constant current mode

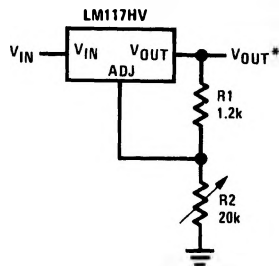
TL/H/9062-15

1A Current Regulator



TL/H/9062-16

1.2V-20V Regulator with Minimum Program Current

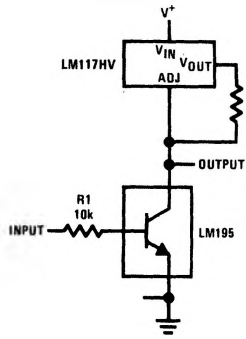


\*Minimum load current ≈ 4 mA

TL/H/9062-17

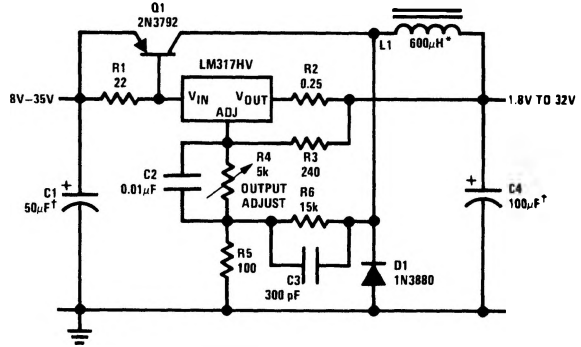
# Typical Applications (Continued)

## High Gain Amplifier



TL/H/9062-18

## Low Cost 3A Switching Regulator

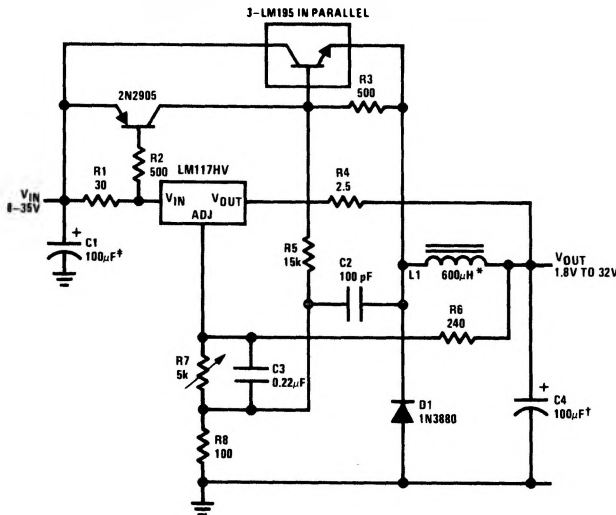


†Solid tantalum

\*Core—Arnold A-254168-2 60 turns

TL/H/9062-19

## 4A Switching Regulator with Overload Protection

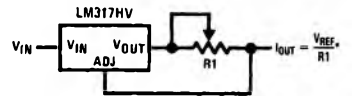


†Solid tantalum

\*Core—Arnold A-254168-2 60 turns

TL/H/9062-20

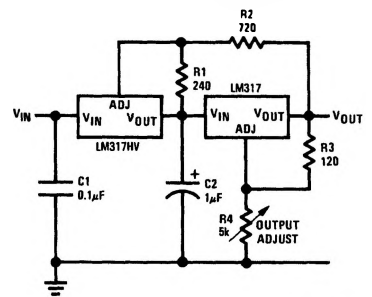
## Precision Current Limiter



TL/H/9062-21

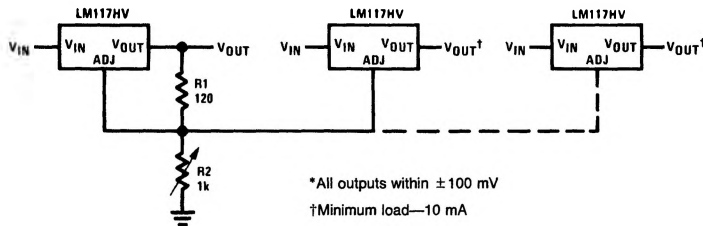
\* $0.8\Omega \leq R1 \leq 120\Omega$

## Tracking Preregulator



TL/H/9062-22

## Adjustable Multiple On-Card Regulators with Single Control\*



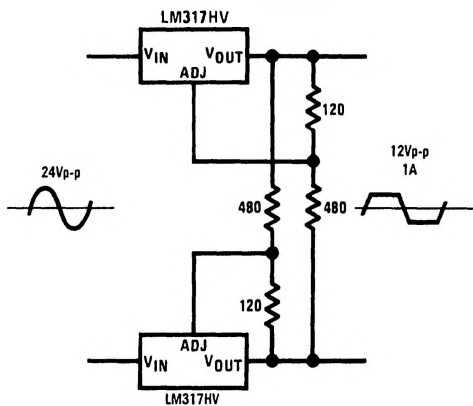
\*All outputs within  $\pm 100$  mV

†Minimum load—10 mA

TL/H/9062-23

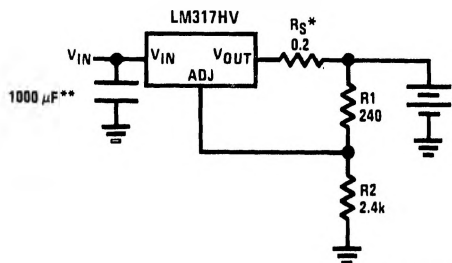
Typical Applications (Continued)

AC Voltage Regulator



TL/H/9082-24

12V Battery Charger



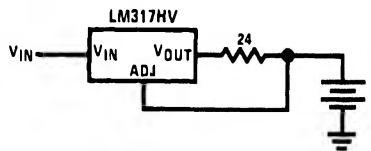
TL/H/9082-25

\* $R_S$ —sets output impedance of charger  $Z_{OUT} = R_S \left( 1 + \frac{R_2}{R_1} \right)$

Use of  $R_S$  allows low charging rates with fully charged battery.

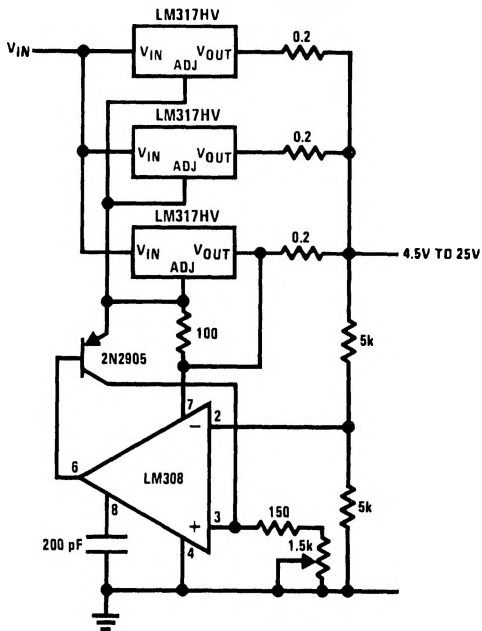
\*\*The 1000  $\mu F$  is recommended to filter out Input transients

50 mA Constant Current Battery Charger



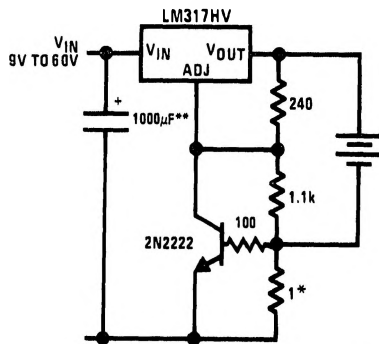
TL/H/9082-26

Adjustable 4A Regulator



TL/H/9082-27

Current Limited 6V Charger



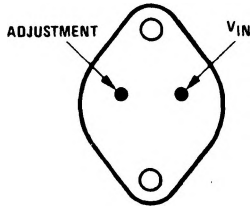
TL/H/9082-28

\*Sets peak current (0.8A for 1 $\Omega$ )

\*\*The 1000  $\mu F$  is recommended to filter out Input transients

**Connection Diagrams** (See Physical Dimension section for further information)

**(TO-3 Steel)  
Metal Can Package**

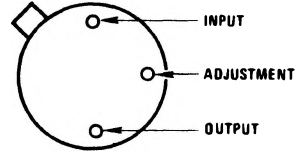


**Case is Output  
Bottom View**

**Order Number LM117HVK STEEL,  
LM317HVK STEEL  
See NS Package Number K02A**

TL/H/9062-29

**(TO-39)  
Metal Can Package**

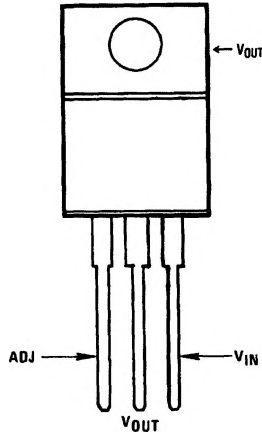


**Case is Output  
Bottom View**

**Order Number LM117HVH,  
or LM317HVH  
See NS Package Number H03A**

TL/H/9062-30

**(TO-220)  
Plastic Package**



**Front View**

**Order Number LM317HVT  
See NS Package Number T03B**

TL/H/9062-31