



Analog Function Switch

Overview

The LC7824 is an analog switch incorporating seven switches into a single chip, making it ideal for audio and video applications in amplifiers, receivers and television equipment.

The LC7824 is controlled from a three-wire bus (C²B), allowing for an easy interface with a microcontroller. In addition, a device select pin allows two devices to be connected to the bus.

The LC7824 operates from a $\pm 9V$ supply and is available in 16-pin DIPs.

Features

- Audio and video bandwidth.
- Seven analog switches.
- Select pin allows two LC7824s to be connected to a common, serial data bus.
- Easy microcontroller interface.
- $\pm 9V$ supply.
- 16-pin DIP.

Specifications

Absolute Maximum Ratings

Parameter	Symbol	Conditions	Ratings	Unit
Maximum supply voltage	$V_{DD\ max}$		-0.3 to +10	V
	$V_{EE\ max}$		-10 to +0.3	V
Logic-level input voltage range	V_{IH}		-0.3 to +10	V
Analog switch input voltage range	V_{I2}		$V_{EE}-0.3$ to $V_{DD}+0.3$	V
Voltage differential across switches when closed	ΔV_{ON}		0.5	V
Allowable power dissipation	$P_{d\ max}$		100	mW
Operating temperature range	T_{opr}		-30 to +75	°C
Storage temperature range	T_{stg}		-40 to +125	°C

Recommended Operating Conditions at $T_a = 25^\circ C$

Parameter	Symbol	Conditions	Ratings	Unit
Supply voltage	V_{DD}		4.5 to 9	V
	V_{EE}		-9 to 0	V

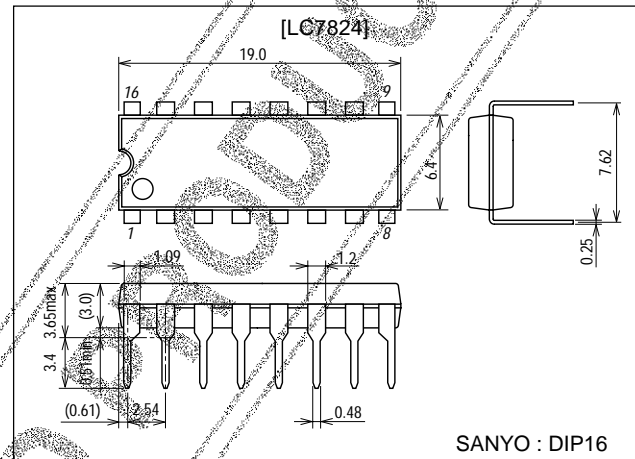
■ Any and all SANYO products described or contained herein do not have specifications that can handle applications that require extremely high levels of reliability, such as life-support systems, aircraft's control systems, or other applications whose failure can be reasonably expected to result in serious physical and/or material damage. Consult with your SANYO representative nearest you before using any SANYO products described or contained herein in such applications.

■ SANYO assumes no responsibility for equipment failures that result from using products at values that exceed, even momentarily, rated values (such as maximum ratings, operating condition ranges, or other parameters) listed in products specifications of any and all SANYO products described or contained herein.

Package Dimensions

unit:mm

3006C-DIP16

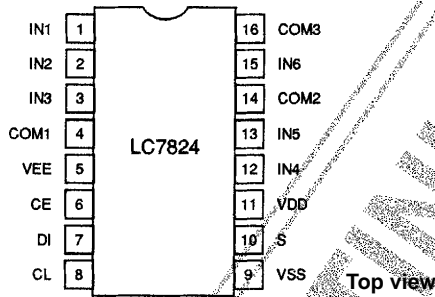


LC7824

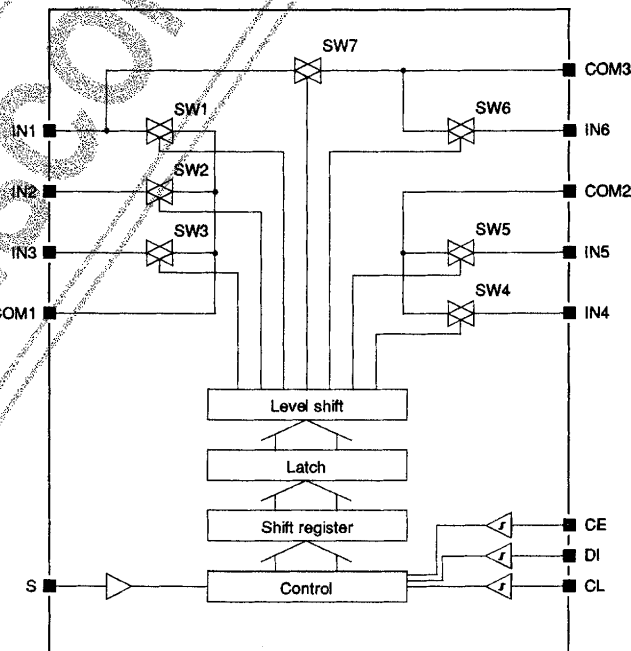
Electrical Characteristics at $T_a = -30$ to $+75^\circ\text{C}$, $V_{DD}=4.5$ to 9V

Parameter	Symbol	Conditions	Ratings			Unit
			min	typ	max	
Supply current	I_{DD}	$V_{DD}=9\text{V}$, $V_{EE}=-9\text{V}$			1	mA
C ² B input low-level voltage	V_{IL1}		V_{SS}		1	V
C ² B input high-level voltage	V_{IH1}		4.2		9	V
Select pin input low-level voltage	V_{IL2}		V_{SS}		$0.3V_{DD}$	V
Select pin input high-level voltage	V_{IH2}		$0.7V_{DD}$		V_{DD}	V
Analog switch ON resistance	R_{ON}	$V_{DD}=5\text{V}$, $V_{EE}=-5\text{V}$		150		Ω
		$V_{DD}=9\text{V}$, $V_{EE}=-9\text{V}$		110		Ω
Passband	f_T	$V_{IN}=1\text{V}$, -1dB down	0		5	MHz
		$V_{IN}=1\text{V}$, -3dB down	0		10	MHz
Second and third order harmonic distortion	H2, H3	$V_{IN}=1\text{V}$, $f=5\text{MHz}$		60		dB
Total harmonic distortion	THD	$V_{IN}=1\text{V}$, $f=1\text{kHz}$		0.01		%
		$V_{IN}=0.1\text{V}$, $f=1\text{kHz}$		0.05		%
Feedthrough	F_{TH}	$V_{IN}=1\text{V}$, $f=5\text{MHz}$		50		dB
Crosstalk	C_T	$V_{IN}=1\text{V}$, $f=5\text{MHz}$		50		dB
Input low-level current	I_{IL}	$V_{DD}=9\text{V}$, $V_{EE}=-9\text{V}$, $V_I=0\text{V}$	-10			μA
Input high-level current	I_{IH}	$V_{DD}=9\text{V}$, $V_{EE}=-9\text{V}$, $V_I=9\text{V}$			10	μA
Switch leakage current	I_{OFF}	$V_{DD}=9\text{V}$, $V_{EE}=-9\text{V}$, $V_I=-9$ to $+9\text{V}$	-10		+10	μA
Analog switch input voltage	V_{IN}		V_{EE}		V_{DD}	V
C ² B input hysteresis width	V_H		0.3			V

Pin Assignment



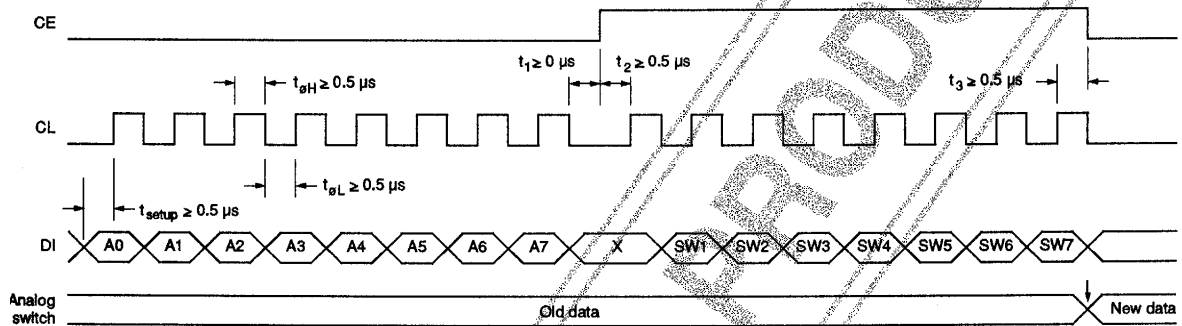
Block Diagram



Pin Description

Number	Name	Description
1, 2, 3, 12, 13, 15	IN1 to IN6	Analog switch inputs/outputs
4, 14, 16	COM1 to COM3	Analog switch common inputs/outputs
5	V _{EE}	-4.5 to -9V supply voltage
6	CE	Schmitt-trigger, chip enable
7	DI	Schmitt-trigger, serial data input
8	CL	Schmitt-trigger, clock input
9	V _{SS}	Ground
10	S	Device select input
11	V _{DD}	4.5 to 9V supply voltage

Timing Characteristics



Ta = -30 to +75°C, V_{DD}=4.5 to 9V

Parameter	Symbol	Conditions	Ratings			Unit
			min	typ	max	
LOW-level clock pulsewidth	t _{oL}		0.5			μs
HIGH-level clock pulsewidth	t _{oH}		0.5			μs
Setup time	t _{setup}		0.5			μs
Serial data input timing	t ₁		0			μs
	t ₂		0.5			μs
	t ₃		0.5			μs

Functional Description

The LC7824 analog switch is controlled from a three-wire bus, which comprises chip-enable, clock and serial data inputs. The 16-bit serial input code comprises eight address bits and eight control bits as shown in figure 1.

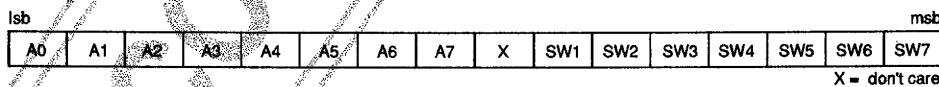


Figure 1. Data input

The address data is latched on the rising edge of CE, and the input data, on the falling edge as shown in figure 2.

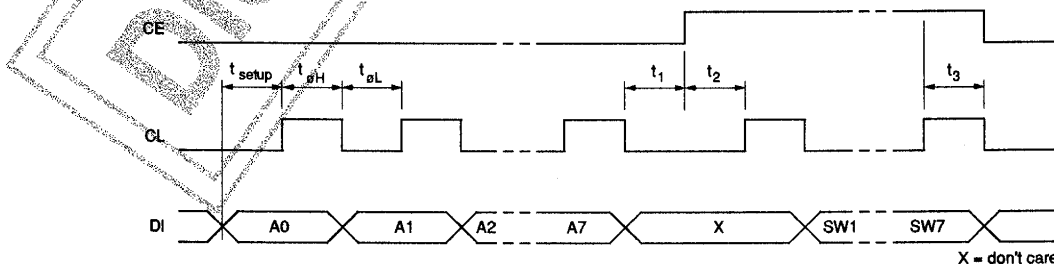


Figure 2. Input timing

When S (pin 10) is LOW, the device address is 01101110 (6EH), and when HIGH, 01101111 (6FH). Each switch is turned ON if the corresponding control bit is 1, and OFF, if 0. The X bit is ignored.

Typical Applications

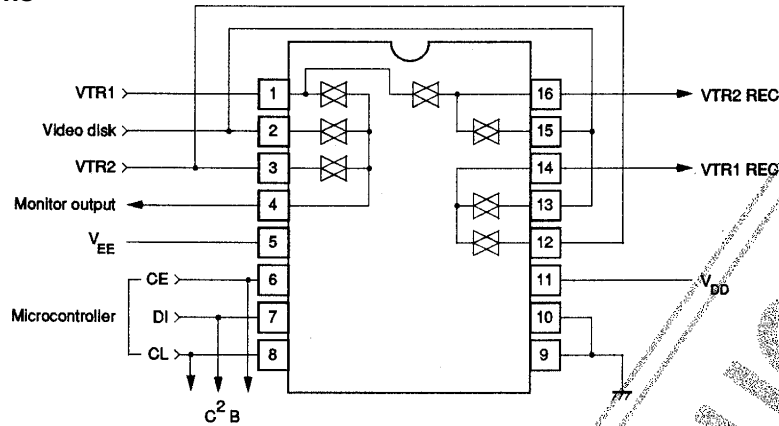


Figure 3. Video switching (1)

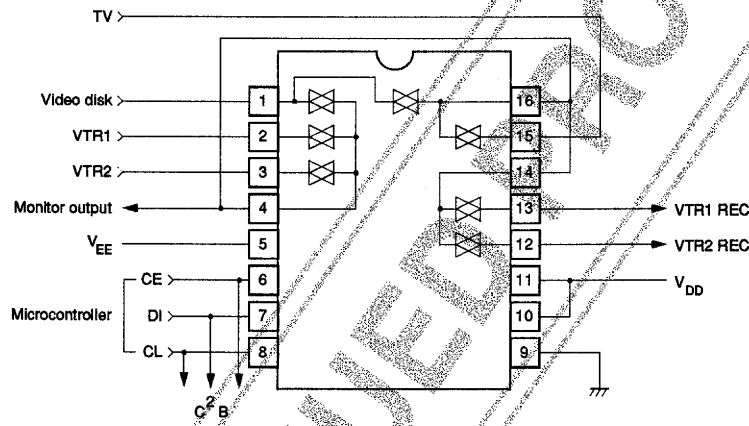


Figure 4. Video switching (2)

- Specifications of any and all SANYO products described or contained herein stipulate the performance, characteristics, and functions of the described products in the independent state, and are not guarantees of the performance, characteristics, and functions of the described products as mounted in the customer's products or equipment. To verify symptoms and states that cannot be evaluated in an independent device, the customer should always evaluate and test devices mounted in the customer's products or equipment.
- SANYO Electric Co., Ltd. strives to supply high-quality high-reliability products. However, any and all semiconductor products fail with some probability. It is possible that these probabilistic failures could give rise to accidents or events that could endanger human lives, that could give rise to smoke or fire, or that could cause damage to other property. When designing equipment, adopt safety measures so that these kinds of accidents or events cannot occur. Such measures include but are not limited to protective circuits and error prevention circuits for safe design, redundant design, and structural design.
- In the event that any or all SANYO products (including technical data, services) described or contained herein are controlled under any of applicable local export control laws and regulations, such products must not be exported without obtaining the export license from the authorities concerned in accordance with the above law.
- No part of this publication may be reproduced or transmitted in any form or by any means, electronic or mechanical, including photocopying and recording, or any information storage or retrieval system, or otherwise, without the prior written permission of SANYO Electric Co., Ltd.
- Any and all information described or contained herein are subject to change without notice due to product/technology improvement, etc. When designing equipment, refer to the "Delivery Specification" for the SANYO product that you intend to use.
- Information (including circuit diagrams and circuit parameters) herein is for example only; it is not guaranteed for volume production. SANYO believes information herein is accurate and reliable, but no guarantees are made or implied regarding its use or any infringements of intellectual property rights or other rights of third parties.

This catalog provides information as of May, 2001. Specifications and information herein are subject to change without notice.