

SANYO

No.1374E

CMOS IC

LC7533**3V Electronic Volume Control****Use**

- Attenuation of signal

Features

- CMOS process 3V typ. operation
- Up/down operation is performed with SW input.
- 4-bit, 16-step counter. Step 6* is set with initial input ($\overline{\text{INIT}}$).
- Center tap provided.
- Maximum attenuation : - 60dB or less
- Attenuation curve : Pseudo curve A. Left/right simultaneous setting.
- * : Step 6 means mode 6.

Absolute Maximum Ratings at Ta = 25°C

			unit
Maximum Supply Voltage	V_{DD} max	V_{SS} to 6	V
Supply Voltage	V_I	V_{SS} to V_{DD}	V
Allowable Power Dissipation	P_d max	100	mW
Operating Temperature	T_{opr}	- 30 to + 75	°C
Storage Temperature	T_{stg}	- 40 to + 125	°C

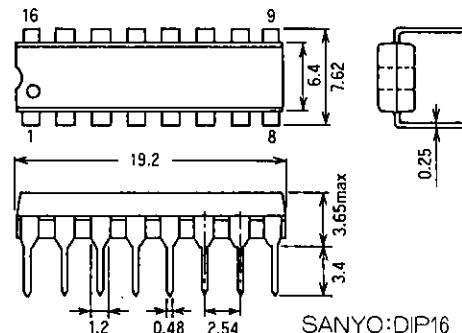
Allowable Operating Conditions at Ta = 25°C

			unit
Supply Voltage	V_{DD}	2.1 to 5.0	V
Input 'H'-Level Voltage	V_{IH1}	$\overline{\text{INIT}}, \text{CE}$ pin	$0.7V_{DD}$ to V_{DD}
	V_{IH2}	$\overline{\text{UP}}, \overline{\text{DN}}, \text{CR}$ pin	$0.9V_{DD}$ to V_{DD}
Input 'L'-Level Voltage	V_{IL1}	$\overline{\text{INIT}}, \text{CE}$	0 to $0.3V_{DD}$
	V_{IL2}	$\overline{\text{UP}}, \overline{\text{DN}}, \text{CR}$	V_{SS} to $0.1V_{DD}$

Electrical Characteristics at Ta = 25°C

			min	typ	max	unit
Signal Distortion	THD_1	$V_{DD} = 3V, R_L = 50k\Omega, f = 1kHz$			0.5	%
	THD_2	$V_{DD} = 2.1V, R_L = 50k\Omega, f = 1kHz$		1		%
Output at Attenuation Mode	X_{OUT}	0dBm input, 1kHz, 51k Ω load			- 60	dB

Continued on next page.

Package Dimensions 3006B-D16IC
(unit: mm)

SANYO Electric Co., Ltd. Semiconductor Business Headquarters
TOKYO OFFICE Tokyo Bldg., 1-10, 1 Chome, Ueno, Taito-ku, TOKYO, 110 JAPAN

N111JN/1250TA/7048YT/7235MW/9034KI/9303KI, TS No.1374-1/3

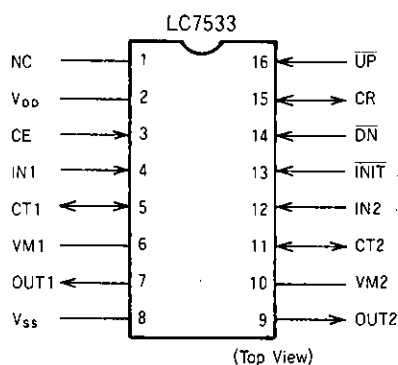
LC7533

Continued from preceding page.

			min	typ	max	unit
Signal Transmit Delay Time	t_d	Between IN and OUT, no load		1		μs
Input Impedance	r_i	$\overline{\text{UP}}, \overline{\text{DN}}, \text{CE}$ only	100		400	$\text{k}\Omega$
Output Noise Voltage	V_{NO}	$V_{\text{DD}} = 3\text{V}, R_L = 50\text{k}\Omega, \text{STEP "0"}$			8	μV
Input 'H'-Level Current	I_{IH}	CE pin, $V_{\text{DD}} = 3\text{V}, V_I = 3\text{V}$			40	μA
Input 'L'-Level Current	I_{IL}	$\overline{\text{UP}}, \overline{\text{DN}}$ pin, $V_{\text{DD}} = 3\text{V}, V_I = 0\text{V}$	-55			μA
Attenuation Balance	ΔV	Pins OUT1,2, other than STEP "0" (Note 1)	-2	0	2	dB
Channel Balance	ΔV_0	Between pins OUT1,2, other than STEP "0" (Note 2)	-2		2	dB
Current Dissipation	I_{DD}	$V_{\text{DD}} = 3\text{V}, \text{CE} = V_{\text{DD}}, \overline{\text{INIT}} = V_{\text{DD}},$ other pins : OPEN			1	mA
	\overline{I}_{DD}	$V_{\text{DD}} = 3\text{V}, \text{CE} = V_{\text{SS}}, \overline{\text{INIT}} = V_{\text{DD}},$ other pins : OPEN			1	μA
Crosstalk between Channels	CT	$V_{\text{DD}} = 1.5\text{V}, V_{\text{SS}} = -1.5\text{V}, V_M = 0\text{V},$ $f = 1\text{k}\Omega, 1\text{V}_{\text{rms}}$ input, test side input : $1\text{k}\Omega$ short		85		dB
Minimum Pulse Width	$T_{\text{UP/DN}}$ T_{INIT}	$T = (\text{CR oscillation cycle}) \overline{\text{UP}}, \overline{\text{DN}}$ pin INIT pin		1.5T 2		ms μs

Note 1 (1) $\Delta\text{V} = 20\log_{10} V_{\text{OUT}}/V_{\text{TYP}}$
 V_{OUT} : OUT1 (OUT2) output level
 V_{TYP} : Standard output level
 (2) Satisfy $V_{\text{OUT}}(\text{STEP N}) < V_{\text{OUT}}(\text{STEP N} + 1)$
 Note 2 (1) $\Delta\text{V}_0 = 20\log_{10} V_{\text{OUT1}}/V_{\text{OUT2}}$

Pin Assignment



Note 1 : No bonding exists on the inside of NC pin. It is recommended that the outside should be shorted to $V_{\text{DD}}, V_{\text{SS}}$, etc. on the printed circuit board.

■ No products described or contained herein are intended for use in surgical implants, life-support systems, aerospace equipment, nuclear power control systems, vehicles, disaster/crime-prevention equipment and the like, the failure of which may directly or indirectly cause injury, death or property loss.

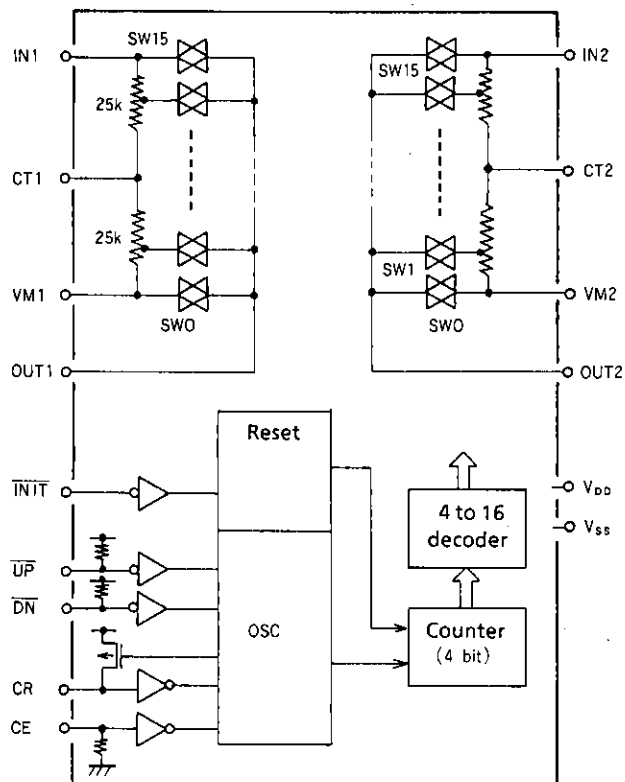
■ Anyone purchasing any products described or contained herein for an above-mentioned use shall:

- ① Accept full responsibility and indemnify and defend SANYO ELECTRIC CO., LTD., its affiliates, subsidiaries and distributors and all their officers and employees, jointly and severally, against any and all claims and litigation and all damages, cost and expenses associated with such use:
- ② Not impose any responsibility for any fault or negligence which may be cited in any such claim or litigation on SANYO ELECTRIC CO., LTD., its affiliates, subsidiaries and distributors or any of their officers and employees jointly or severally.

■ Information (including circuit diagrams and circuit parameters) herein is for example only; it is not guaranteed for volume production. SANYO believes information herein is accurate and reliable, but no guarantees are made or implied regarding its use or any infringements of intellectual property rights or other rights of third parties.

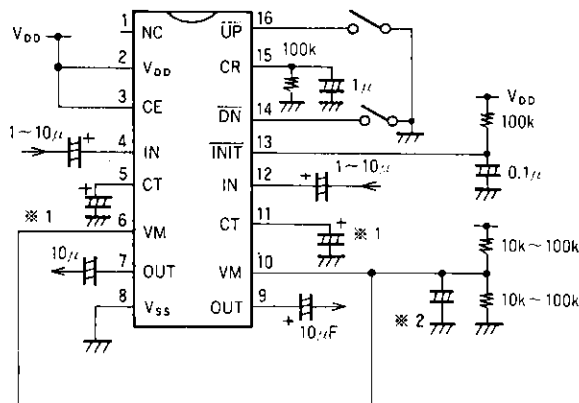
Equivalent Circuit Block Diagram

[Common to LC7533]



Note 1 : The TEST pin is bonded only when the MFP20 is used.

Sample Application Circuit [LC7533 DIP16]



For V_M , $1/2V_{DD}$ bias is recommended.

- ※1 For low-band boost (approx. $1\mu F$)
- ※2 The larger the capacity is (approx. $100\mu F$), the better the characteristics of attenuation and crosstalk.

Unit (resistance: Ω , capacitance: F)

Pin Description

Pin Name	Pin Number	Description
IN1, IN2	4, 12	Input pin for volume control
OUT1, OUT2	7, 9	Output pin for volume control
V_{M1}, V_{M2}	6, 10	Bias pin. When operated form single supply, $1/2V_{DD}$ is applied to this pin.
CT_1, CT_2	5, 11	Tap pin provided at the center of volume control. By connecting C and R to this pin, the loudness can be controlled.
CE	3	When this pin is set to "L", the current dissipation is reduced. This pin must be "L" at backup mode.
\overline{INIT}	13	Initial pin. When set to "L", the 6th step is reached.
\overline{UP}	16	When the level on this pin is made to fall, the step rises and the volume goes up. When held at "L", the volume goes up; if set to "H", the volume stops going up at a step reached at that moment. The step stops at the MSB position.
\overline{DN}	14	The \overline{DN} operation is the reverse of UP. When the $\overline{UP}, \overline{DN}$ are set to "L" at the same time, the \overline{UP} is given priority. The step stops at the LSB position.
CR	15	Pin for connecting R, C on which the rate of step depends.
V_{DD}	2	Power supply pin (+)
V_{SS}	8	Ground
NC	1	No bonding exists on the inside of NC pin. Connected to V_{DD} or V_{SS} is recommended.