



**SANYO Semiconductors**

# DATA SHEET

An ON Semiconductor Company

## LC72725KVS — CMOS IC RDS(RBDS) Demodulation IC

### Overview

The LC72725KVS is ICs that implement the signal processing required by the European Broadcasting Union RDS (Radio Data System) standard and by the US NRSC (National Radio System Committee) RBDS (Radio Broadcast Data System) standard. These ICs include band-pass filter, demodulator, and data buffer on chip. RDS data can be read out from this on-chip memory by external clock input in slave operation mode.

### Functions

- Bandpass filter : Switched capacitor filter (SCF)
- RDS Demodulation : 57KHz carrier and RDS data clock regeneration, biphase decode, differential decode.
- Buffer : 128 bit (about 100ms) can be restored in the on-chip data buffer.
- Data output : Master or slave output mode can be selected.
- RDS-ID : Detect RDS signal which can be reset by RST signal input.
- Standby control : Crystal oscillator can be stopped.
- Fully adjustment free
- Low Voltage

■ Any and all SANYO Semiconductor Co.,Ltd. products described or contained herein are, with regard to "standard application", intended for the use as general electronics equipment (home appliances, AV equipment, communication device, office equipment, industrial equipment etc.). The products mentioned herein shall not be intended for use for any "special application" (medical equipment whose purpose is to sustain life, aerospace instrument, nuclear control device, burning appliances, transportation machine, traffic signal system, safety equipment etc.) that shall require extremely high level of reliability and can directly threaten human lives in case of failure or malfunction of the product or may cause harm to human bodies, nor shall they grant any guarantee thereof. If you should intend to use our products for applications outside the standard applications of our customer who is considering such use and/or outside the scope of our intended standard applications, please consult with us prior to the intended use. If there is no consultation or inquiry before the intended use, our customer shall be solely responsible for the use.

■ Specifications of any and all SANYO Semiconductor Co.,Ltd. products described or contained herein stipulate the performance, characteristics, and functions of the described products in the independent state, and are not guarantees of the performance, characteristics, and functions of the described products as mounted in the customer's products or equipment. To verify symptoms and states that cannot be evaluated in an independent device, the customer should always evaluate and test devices mounted in the customer's products or equipment.

# LC72725KVS

## Specifications

**Absolute Maximum Ratings** at  $T_a = 25^\circ\text{C}$ ,  $V_{SSd} = V_{SSa} = 0\text{V}$

| Parameter                   | Symbol        | Pin Name                | Conditions                              | Ratings                 | Unit             |
|-----------------------------|---------------|-------------------------|---|-------------------------|------------------|
| Maximum supply voltage      | $V_{DD}$ max  | $V_{DDd}$ , $V_{DDa}$   | $V_{DDa} \leq V_{DDd} + 0.3\text{V}$    | -0.3 to +6.5            | V                |
| Maximum input voltage       | $V_{IN1}$ max | TEST, MODE, RST         |   | -0.3 to +6.5            | V                |
|                             | $V_{IN2}$ max | XIN, RDCL               |   | -0.3 to $V_{DDd} + 0.3$ | V                |
|                             | $V_{IN3}$ max | MPXIN, CIN              |   | -0.3 to $V_{DDa} + 0.3$ | V                |
| Maximum output voltage      | $V_{O1}$ max  | RDS-ID(READY)           |   | -0.3 to +6.5            | V                |
|                             | $V_{O2}$ max  | XOUT, RDDA, RDCL        |   | -0.3 to $V_{DDd} + 0.3$ | V                |
|                             | $V_{O3}$ max  | FLOUT                   |   | -0.3 to $V_{DDa} + 0.3$ | V                |
| Maximum output current      | $I_{O1}$ max  | XOUT, FLOUT, RDDA, RDCL |   | +3.0                    | mA               |
|                             | $I_{O2}$ max  | RDS-ID(READY)           |   | +20.0                   | mA               |
| Allowable power dissipation | $P_d$ max     |                         | ( $T_a \leq 85^\circ\text{C}$ )         | 100                     | mW               |
| Operating temperature       | $T_{opr}$     |                         | $V_{DD} = 3.0\text{V}$ to $5.5\text{V}$ | -40 to +85              | $^\circ\text{C}$ |
| Storage temperature         | $T_{stg}$     |                         |   | -40 to +125             | $^\circ\text{C}$ |

**Allowable Operating Ranges** at  $T_a = -40$  to  $+85^\circ\text{C}$ ,  $V_{SSd} = V_{SSa} = 0\text{V}$ ,  $V_{DDd} = V_{DDa} = 3.0\text{V}$  to  $5.5\text{V}$

| Parameter                                 | Symbol    | Pin Name              | Conditions                         | Ratings      |       |              | unit          |
|---|-----------|-----------------------|------------------------------------|--------------|-------|--------------|---------------|
|   |           |                       |                                    | min          | typ   | max          |               |
| Supply voltage                            | $V_{DD}$  | $V_{DDd}$ , $V_{DDa}$ | $T_a = -40$ to $+85^\circ\text{C}$ | 3.0          |       | 5.5          | V             |
| Input high-level voltage                  | $V_{IH1}$ | TEST, MODE, RST       |                                    | $0.7V_{DDd}$ |       | 6.5          | V             |
|   | $V_{IH2}$ | RDCL                  |                                    | $0.7V_{DDd}$ |       | $V_{DDd}$    | V             |
| Input low-level voltage                   | $V_{IL}$  | TEST, MODE, RST, RDCL |                                    | 0            |       | $0.3V_{DDd}$ | V             |
| Output voltage                            | $V_{O1}$  | RDDA, RDCL            |                                    |              |       | $V_{DDd}$    | V             |
|   | $V_{O2}$  | RDS-ID(READY)         |                                    |              |       | 6.5          | V             |
| Input amplitude                           | $V_{IN}$  | MPXIN                 | $f = 57 \pm 2\text{kHz}$           | 1.6          |       | 50           | mVrms         |
|   | $V_{XIN}$ | XIN                   |                                    | 400          |       | 1500         | mVrms         |
| Guaranteed crystal oscillator frequencies | Xtal      | XIN, XOUT             | $C_i \leq 120\Omega$               |              | 4.332 |              | MHz           |
| Crystal oscillator operating range        | TXtal     | XIN, XOUT             | $F_o = 4.332\text{MHz}$            |              |       | $\pm 100$    | ppm           |
| RDCL setup time                           | tCS       | RDCL, RDDA            |                                    | 0            |       |              | $\mu\text{s}$ |
| RDCL high-level time                      | tCH       | RDCL                  |                                    | 0.75         |       |              | $\mu\text{s}$ |
| RDCL low-level time                       | tCL       | RDCL                  |                                    | 0.75         |       |              | $\mu\text{s}$ |
| Data output time                          | tDC       | RDCL, RDDA            |                                    |              |       | 0.75         | $\mu\text{s}$ |
| READY output time                         | tRC       | RDCL, READY           |                                    |              |       | 0.75         | $\mu\text{s}$ |
| READY low-level time                      | tRL       | READY                 |                                    |              |       | 107          | ms            |

# LC72725KVS

**Electrical Characteristics** at  $T_a = -40$  to  $+85^\circ\text{C}$ ,  $V_{SSd} = V_{SSa} = 0\text{V}$ ,  $V_{DDd} = V_{DDa} = 3.0\text{V}$  to  $5.5\text{V}$

| Parameter                    | Symbol           | Pin Name                           | Conditions   | Ratings                |                     |     | unit          |
|------------------------------|------------------|------------------------------------|--|------------------------|---------------------|-----|---------------|
|                              |                  |                                    |  | min                    | typ                 | max |               |
| Internal feedback resistance | Rf               | XIN                                |  |                        | 1.0                 |     | M $\Omega$    |
| Hysteresis                   | VHIS             | TEST, MODE, RST, RDCL              |  |                        | 0.1V <sub>DDd</sub> |     | V             |
| Output low-level voltage     | V <sub>OL1</sub> | RDDA, RDCL                         | I = 2mA  |                        |                     | 0.4 | V             |
|                              | V <sub>OL2</sub> | RDS-ID(READY)                      | I = 8mA  |                        |                     | 0.4 | V             |
| Output high-level voltage    | V <sub>OH</sub>  | RDDA, RDCL                         | I = -2mA   | V <sub>DDd</sub> -0.54 |                     |     | V             |
| Input high-level current     | I <sub>IH1</sub> | TEST, MODE, RST, RDCL              | V <sub>I</sub> = 6.5V  |                        |                     | 5.0 | $\mu\text{A}$ |
|                              | I <sub>IH2</sub> | XIN                                | V <sub>I</sub> = V <sub>DDd</sub>  | 2.0                    |                     | 11  | $\mu\text{A}$ |
| Input low-level current      | I <sub>IL1</sub> | TEST, MODE, RST, RDCL              | V <sub>I</sub> = 0V  |                        |                     | 5.0 | $\mu\text{A}$ |
|                              | I <sub>IL2</sub> | XIN                                | V <sub>I</sub> = 0V  | 2.0                    |                     | 11  | $\mu\text{A}$ |
| Output off leakage current   | IOFF             | RDS-ID(READY)                      | V <sub>O</sub> = 6.5V  |                        |                     | 5.0 | $\mu\text{A}$ |
| Current drain                | I <sub>DD</sub>  | V <sub>DDd</sub> +V <sub>DDa</sub> | V <sub>DDd</sub> +V <sub>DDa</sub><br>(V <sub>DDd</sub> = V <sub>DDa</sub> = 3.3V) | 1.5                    | 2.5                 | 3.5 | mA            |

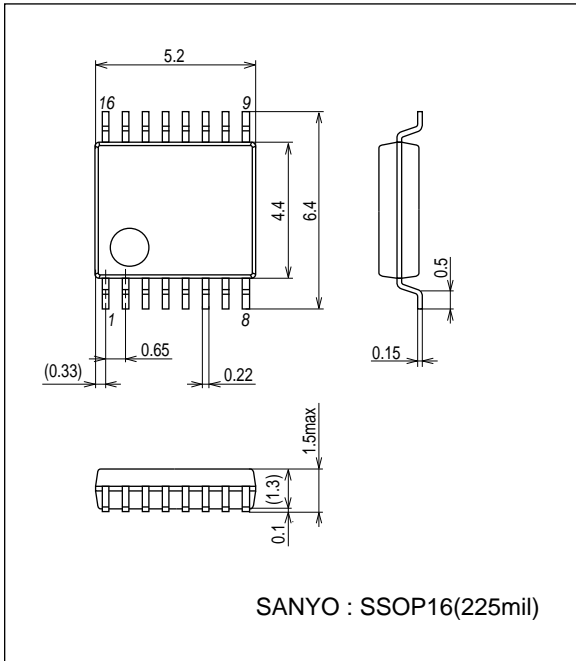
**Bandpass Filter Characteristics** at  $T_a = 25^\circ\text{C}$ ,  $V_{SSd} = V_{SSa} = 0\text{V}$ ,  $V_{DDd} = V_{DDa} = 3.0\text{V}$  to  $5.5\text{V}$

| Parameter                | Symbol             | Pin Name               | Conditions                   | Ratings |      |      | unit       |
|--------------------------|--------------------|------------------------|------------------------------|---------|------|------|------------|
|                          |                    |                        |                              | min     | typ  | max  |            |
| Input resistance         | R <sub>mpxin</sub> | MPXIN-V <sub>SSa</sub> | f = 57kHz                    |         | 100  |      | k $\Omega$ |
|                          | R <sub>cin</sub>   | CIN-V <sub>SSa</sub>   | f = 57kHz                    |         | 100  |      | k $\Omega$ |
| Center frequency         | f <sub>c</sub>     | FLOUT                  |                              | 56.5    | 57.0 | 57.5 | kHz        |
| -3dB band width          | BW-3dB             | FLOUT                  |                              | 2.5     | 3.0  | 3.5  | kHz        |
| Gain                     | Gain               | MPXIN-FLOUT            | f = 57kHz                    | 28      | 31   | 34   | dB         |
| Stop band attenuation    | Att1               | FLOUT                  | $\Delta f = \pm 7\text{kHz}$ | 30      |      |      | dB         |
|                          | Att2               | FLOUT                  | f < 45kHz, f > 70kHz         | 40      |      |      | dB         |
|                          | Att3               | FLOUT                  | f < 20kHz                    | 50      |      |      | dB         |
| Reference voltage output | V <sub>ref</sub>   | V <sub>ref</sub>       | V <sub>DDa</sub> = 3V        |         | 1.5  |      | V          |

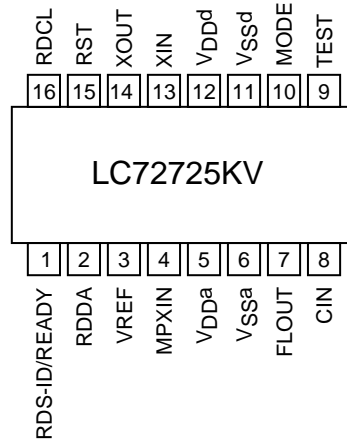
# LC72725KVS

## Package Dimensions

unit : mm (typ)  
3178B

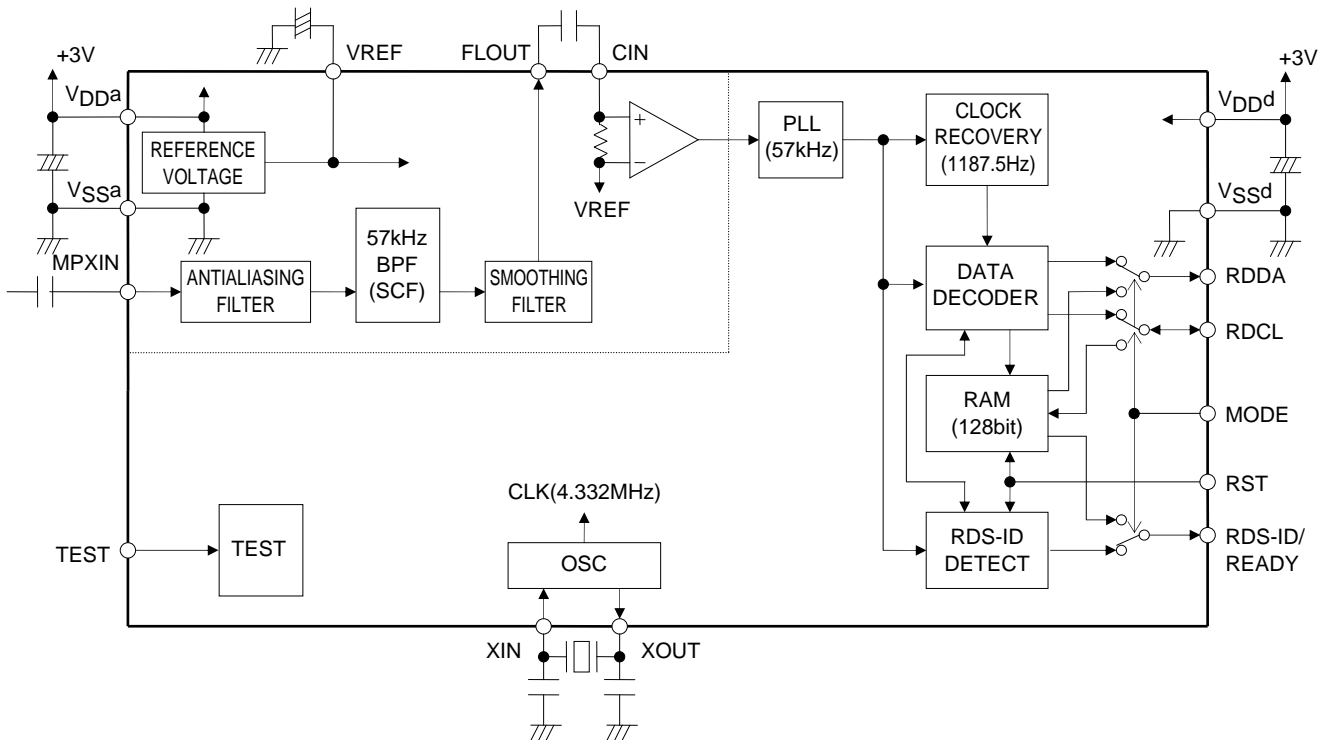


## Pin Assignment



Top view

## Block Diagram



# LC72725KVS

## Pin Descriptions

| Pin No. | Pin Name         | I/O    | Function  | Pin Circuit |
|---------|------------------|--------|---|-------------|
| 3       | VREF             | Output | Reference voltage output ( $V_{DDa}/2$ )  |             |
| 4       | MPXIN            | Input  | Baseband (multiplexed) signal input   |             |
| 7       | FLOUT            | Output | Subcarrier output (filter output)   |             |
| 8       | CIN              | Input  | Subcarrier input (comparator input)   |             |
| 5       | $V_{DDa}$        | -      | Analog system power supply (+3V)  | -           |
| 6       | $V_{SSa}$        | -      | Analog system ground  | -           |
| 14      | XOUT             | Output | Crystal oscillator output (4.332MHz)  |             |
| 13      | XIN              | Input  | Crystal oscillator input<br>(external reference signal input)   |             |
| 9       | TEST             |        | Test input  |             |
| 10      | MODE             |        | Read out mode (0:master, 1:slave)   |             |
| 15      | RST              |        | RDS-ID/RAM reset (active high)  |             |
| 2       | RDDA             | Output | RDS data output   |             |
| 16      | RDCL             | I/O    | RDS clock output (master mode) /<br>RDS read out clock input (slave mode)   |             |
| 1       | RDS-ID/<br>READY | Output | RDS reliability data output<br>(High: data with high RDS reliability<br>Low: data with low RDS reliability)<br>READY output (active high) |             |
| 12      | $V_{DDd}$        | -      | Digital system power supply (+3V)   | -           |
| 11      | $V_{SSd}$        | -      | Digital system ground   | -           |

# LC72725KVS

## Input/Output Data Format

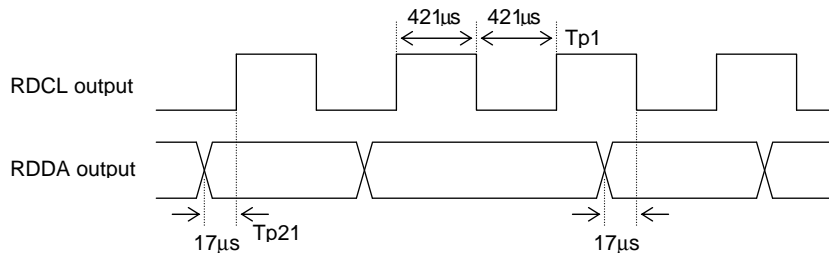
| TEST | MODE | Circuit Operation Mode                                    | RDCL Pin     | RDS-ID/READY Pin |
|------|------|---|--------------|------------------|
| 0    | 0    | Master read out mode                                      | Clock output | RDS-ID output    |
| 0    | 1    | Slave read out mode                                       | Clock input  | READY output     |
| 1    | 0    | Standby mode (crystal oscillator stopped)                 | -            | -                |
| 1    | 1    | IC test mode which is not available to user applications. | -            | -                |

| RST Pin |  |
|---------|--|
| RST = 0 | Normal operation   |
| RST = 1 | RDS-ID • demodulation circuit clear + READY • memory clear (when slave mode) |

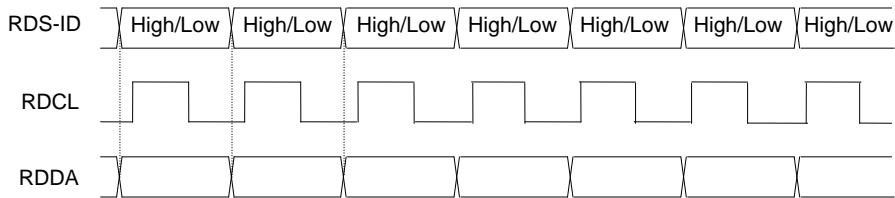
| RDS-ID/READY Pin |                             |
|------------------|-----------------------------|
| Master mode      | RDS-ID output (Active-high) |
| Slave mode       | READY output (Active-high)  |

Note: RDS-ID(READY) pin is an n-channel open-drain output, and requires an external pull-up resistor to output data.

## RDCL/RDDA Output Timing in Master Mode

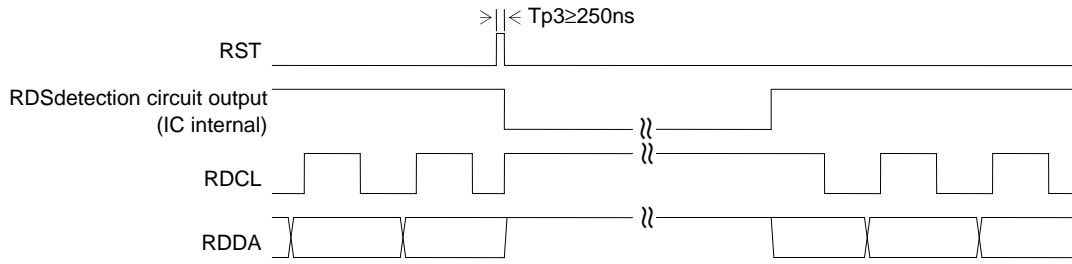


## RDS-ID Output Timing



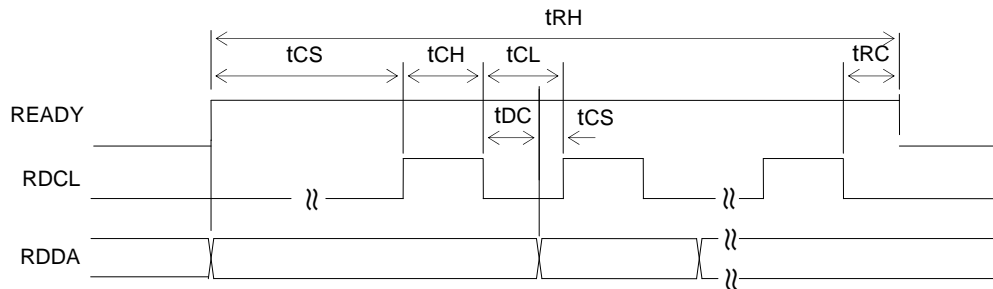
Note: RDS-ID is High: data with high RDS reliability, Low: data with low RDS reliability

**RST Operation in Master Mode**



Note: RDCL and RDDA outputs keep high level after input of RST until RDS detection circuit output is detected.

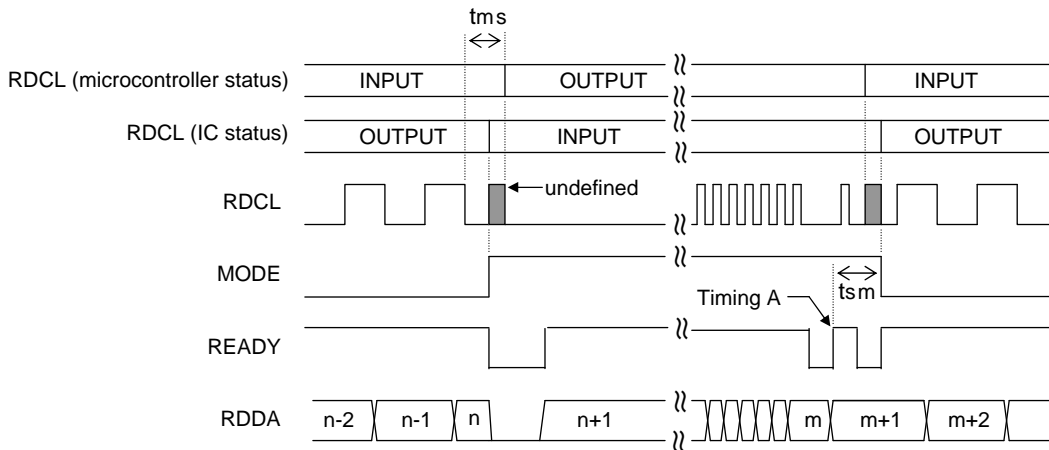
**RDCL Operation in Slave Mode**



| Parameter             | Symbol | Pin Name   | Conditions | Ratings |     |      | unit |
|-----------------------|--------|------------|------------|---------|-----|------|------|
|                       |        |            |            | min     | typ | max  |      |
| RDCL setup time       | tCS    | RDCL,RDDA  |            | 0       |     |      | μs   |
| RDCL high-level time  | tCH    | RDCL       |            | 0.75    |     |      | μs   |
| RDCL low-level time   | tCL    | RDCL       |            | 0.75    |     |      | μs   |
| Data output time      | tDC    | RDCL,RDDA  |            |         |     | 0.75 | μs   |
| READY output time     | tRC    | RDCL,READY |            |         |     | 0.75 | μs   |
| READY high-level time | tRH    | READY      |            |         |     | 107  | ms   |

# LC72725KVS

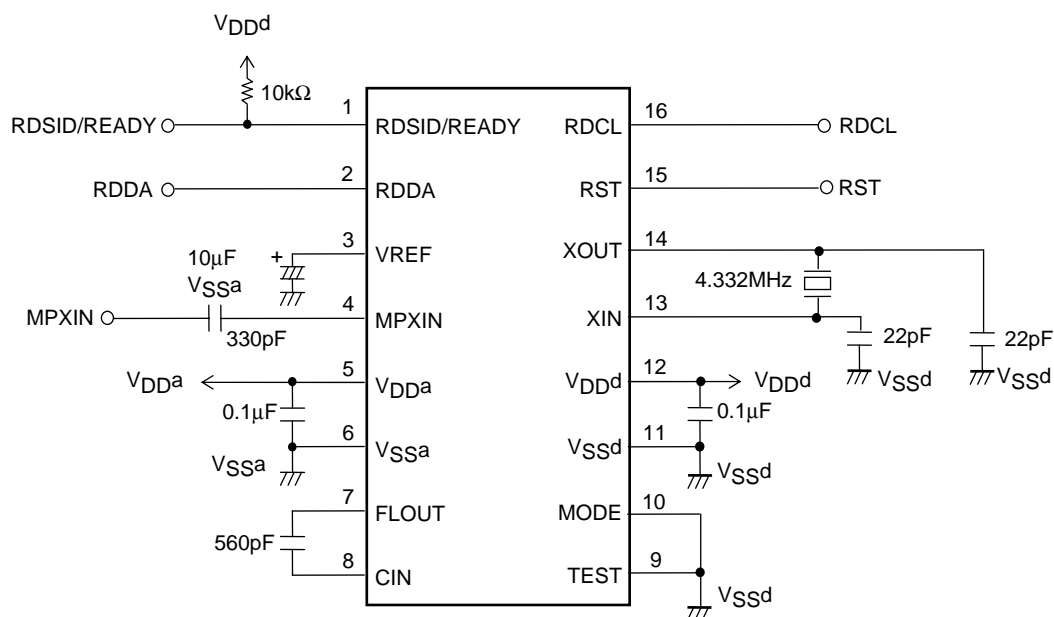
- Notes: 1. RDCL input must be started after READY signal goes high. When READY signal is low, RDCL must be low level.
2. READY status must be checked after  $t_{RC}$  time from RDCL is set low. If the READY status is high, then next read cycle can be continued. If the READY status is low, next RDCL clock input must be stopped.
3. If the above condition is satisfied, RDS data (RDDA) can be read out at both rising and falling edge of RDCL.
4. READY signal goes low after the last data is read out from on-chip memory. If one RDS data is stored in the memory, READY signal goes high again.
5. When the reception channel is changed, a memory and READY reset must be applied using RST input. If a reset is not applied, reception data from the previous channel may remain in memory. If RST input is applied, reception data is not stored in memory until the first RDS-ID is detected, and READY output goes high after the first RDS-ID is detected. After the first RDS-ID is detected, reception data is stored even if RDS-ID is not detected.
6. The readout mode may be switched between master and slave modes during readout.  
Applications must observe the following points to assure data continuity during this operation.
- 1) Data acquisition timing in master made  
Data must be read on the falling edge of RDCL
  - 2) Timing of the switch from master mode to slave mode  
After the RDCL output goes low and the RDDA data has been acquired, the application must set MODE high immediately.  
Then, the microcontroller starts output by setting the RDCL signal low.  
The microcontroller RDCL output must start within  $840\mu s$  ( $t_{ms}$ ) after RDCL went low.  
In this case, if the last data read in master mode was data item  $n$ , then data starting with item  $n+1$  will be written to memory.
  - 3) Timing of the switch from slave mode to master mode  
After all data has been read from memory and READY has gone high, the application must then wait until READY goes low once again the next time (timing A in the figure), immediately read out one bit of data and input the RDCL clock.  
Then, at the point READY goes high, the microcontroller must terminate RDCL output and then set MODE low.  
The application must switch MODE to low within  $840\mu s$  ( $t_{ms}$ ) after READY goes low (timing A in the figure).





## LC72725KVS

### Sample Application Connection Circuit (for master mode operation)



Note: If the RST pin is unused, it must be connected to ground.

- SANYO Semiconductor Co.,Ltd. assumes no responsibility for equipment failures that result from using products at values that exceed, even momentarily, rated values (such as maximum ratings, operating condition ranges, or other parameters) listed in products specifications of any and all SANYO Semiconductor Co.,Ltd. products described or contained herein.
- SANYO Semiconductor Co.,Ltd. strives to supply high-quality high-reliability products, however, any and all semiconductor products fail or malfunction with some probability. It is possible that these probabilistic failures or malfunction could give rise to accidents or events that could endanger human lives, trouble that could give rise to smoke or fire, or accidents that could cause damage to other property. When designing equipment, adopt safety measures so that these kinds of accidents or events cannot occur. Such measures include but are not limited to protective circuits and error prevention circuits for safe design, redundant design, and structural design.
- In the event that any or all SANYO Semiconductor Co.,Ltd. products described or contained herein are controlled under any of applicable local export control laws and regulations, such products may require the export license from the authorities concerned in accordance with the above law.
- No part of this publication may be reproduced or transmitted in any form or by any means, electronic or mechanical, including photocopying and recording, or any information storage or retrieval system, or otherwise, without the prior written consent of SANYO Semiconductor Co.,Ltd.
- Any and all information described or contained herein are subject to change without notice due to product/technology improvement, etc. When designing equipment, refer to the "Delivery Specification" for the SANYO Semiconductor Co.,Ltd. product that you intend to use.
- Information (including circuit diagrams and circuit parameters) herein is for example only; it is not guaranteed for volume production.
- Upon using the technical information or products described herein, neither warranty nor license shall be granted with regard to intellectual property rights or any other rights of SANYO Semiconductor Co.,Ltd. or any third party. SANYO Semiconductor Co.,Ltd. shall not be liable for any claim or suits with regard to a third party's intellectual property rights which has resulted from the use of the technical information and products mentioned above.

This catalog provides information as of June, 2010. Specifications and information herein are subject to change without notice.