



## LC58E76

### On-Chip EPROM Microcomputer 4-Bit Single Chip Microprocessor with LCD Driver, 12 Kbytes of EPROM and 1 Kbit of RAM On-Chip

#### Overview

The LC58E76 is an on-chip EPROM microcontroller in the LC587X series of CMOS 4-bit single chip microcontrollers.

The LC58E76 provides the same functionality as the LC5876 mask ROM version, and has the same pin layout. The LC58E76 has a 16-kbyte EPROM capacity, and corresponds to the LC5872, LC5873, LC58E74 and LC5876.

The LC58E76 is provided in an 80-pin ceramic window package, and programs can be written and erased repeatedly. Thus it is optimal for use during program development.

#### Applications

The LC58E76 can be used for program and function evaluation in the following applications.

- System control of consumer products that use LCD displays, such as cameras, CD players and tuners
- Remote controllers for products such as VCRs or tuners
- System control of instruments that use LCD displays, such as miniature test equipment and medical equipment.
- The LC58E76 is optimal for products that use LCD displays, in particular, battery operated products.

#### Features

- Optional functions can be switched by EPROM data settings.

The LC58E76 includes both program and option selection EPROM on-chip. The option selection EPROM can be used to specify almost all of the LC587X options, including crystal/ceramic oscillator specifications, port hold transistor selection and segment PLA specifications. These option specifications allow

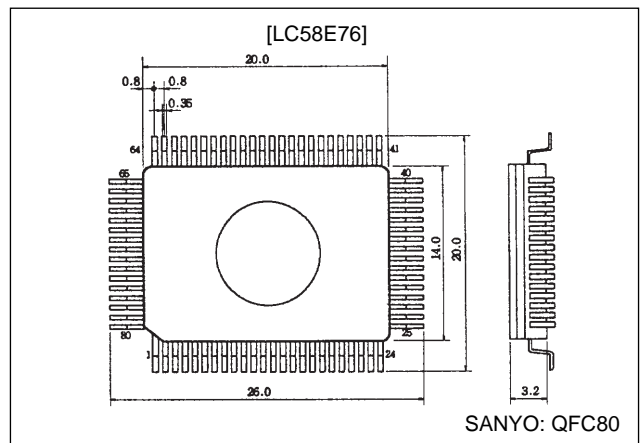
functional and operational testing in the actual PC board used in the mass-produced end product.

- On-chip 16 kbyte program EPROM  
The on-chip 16 kbyte program EPROM allows the LC58E76 to be used to evaluate all four members of the LC587X series. (See the series structure table on the next page.)
- Program and option data read/write  
The program and option data can be read and written with a standard commercial EPROM writer by using a dedicated EPROM writing board. (256K equivalent) (Either a Sanyo or an Advanced EPROM writer should be used.)
- Pin correspondence  
The LC58E76 is pin compatible with the mask ROM versions. (There is no chip correspondence.)

#### Package Dimensions

unit: mm

3152A-QFC80



■ Any and all SANYO products described or contained herein do not have specifications that can handle applications that require extremely high levels of reliability, such as life-support systems, aircraft's control systems, or other applications whose failure can be reasonably expected to result in serious physical and/or material damage. Consult with your SANYO representative nearest you before using any SANYO products described or contained herein in such applications.

■ SANYO assumes no responsibility for equipment failures that result from using products at values that exceed, even momentarily, rated values (such as maximum ratings, operating condition ranges, or other parameters) listed in products specifications of any and all SANYO products described or contained herein.

**SANYO Electric Co., Ltd. Semiconductor Business Headquarters**

TOKYO OFFICE Tokyo Bldg., 1-10, 1 Chome, Ueno, Taito-ku, TOKYO, 110-8534 JAPAN

## LC58E76

### Series Structure

Type No.	LC5872	LC5873	LC5874	LC5876	LC58E76
Item					
ROM capacity	2 k × 16 bits	3 k × 16 bits	4 k × 16 bits	6 k × 16 bits	EPROM: 16 kbytes
RAM capacity	256 × 4 bits	256 × 4 bits	256 × 4 bits	256 × 4 bits	256 × 4 bits
Package	QIP80	QIP80	QIP80	QIP80	QFC80 ceramic window package
Notes	Available in quantity	Available in quantity	Available in quantity	Available in quantity	The on-chip EPROM window version will be available shortly.

### Usage Notes

The LC58E76 is designed for use in developing and evaluating programs for the microprocessors in the LC587X series. However, there are differences between the LC58E76 and the mask ROM versions. Keep the following points in mind when using the LC58E76.

#### 1. Notes on Reset

When the RES pin input changes from high to low, the reset state is cleared after the prescribed oscillator stabilization period has elapsed. The options and the segment PLA are set up during the first 256 cycles following the clearing of the reset state. Instructions are executed starting at location 0 after this setup phase has completed. (The options are undefined and the segment outputs are held at the  $V_{SS}$  level when the RES pin is high and during the first 256 cycles following the clearing of the reset state.)

#### 2. Cover the LC58E76's window with an opaque seal when writing data to EPROM.

#### 3. The LC58E76 and the mask ROM versions differ in the following points.

Item	LC58E76	Mask ROM versions (LC587X)	Note
Operating temperature	10 to 40°C	-30 to 70°C	
Operating supply voltage	2.8 to 5.5 V	2.0 to 6.0 V	
Operating supply currents	5 $\mu$ A typ. (3 V, 32 kHz crystal) 20 $\mu$ A typ. (5 V, 32 kHz crystal) 400 $\mu$ A typ. (5 V, 400 kHz ceramic) 500 $\mu$ A typ. (5 V, 2 MHz ceramic) 700 $\mu$ A typ. (5 V, 4 MHz ceramic)	4 $\mu$ A typ. (3 V, 32 kHz crystal) 15 $\mu$ A typ. (5 V, 32 kHz crystal) 400 $\mu$ A typ. (5 V, 400 kHz ceramic) 500 $\mu$ A typ. (5 V, 2 MHz ceramic) 700 $\mu$ A typ. (5 V, 4 MHz ceramic)	Hold mode
Common segment output states at reset	Segment pins: VSS level (CMOS output) Common pins: N-channel open drain	Static operation (LCD drive output)	<ul style="list-style-type: none"> <li>Option switching in the EPROM version is performed by writing data to the option EPROM.</li> <li>Option switching in mask ROM versions is performed by specifying mask options.</li> </ul>
Segment output states after the reset state is cleared	Off state	Off state/lit state	
Oscillator circuit specifications	CF/Xtal/CF + Xtal	CF/Xtal/CF + Xtal RC/RC+Xtal/EXT/EXT+Xtal	
Crystal oscillator circuit	32K/38K/65K (Note that this is 65K in the reset state)	32K/38K/65K	
RES pin specifications	Open (reset on high)	Open (reset on high) Open (reset on low) Pull-up (reset on low) Pull-down (reset on high)	
N ports	Open drain output	Open drain output/CMOS output	
LCD drive specifications	Static 1/2 bias, 1/2 duty 1/2 bias, 1/3 duty 1/2 bias, 1/4 duty 1/3 bias, 1/3 duty 1/3 bias, 1/4 duty (Substitute static when the LCD driver is not used.)	Static 1/2 bias, 1/2 duty 1/2 bias, 1/3 duty 1/2 bias, 1/4 duty 1/3 bias, 1/3 duty 1/3 bias, 1/4 duty (Substitute static when the LCD driver is not used.)	
Number of specifiable strobos	00 – 1E However, 0E and 0F cannot be used with the 4 MHz specifications.	00 – 1E However, 0E and 0F cannot be used with the 4 MHz specifications.	

Note: Although the strobos number 00 to 1E can be used with CF 2 MHz and lower specifications, strobos number 0E, 0F and 1E cannot be used with the CF 4 MHz specifications.

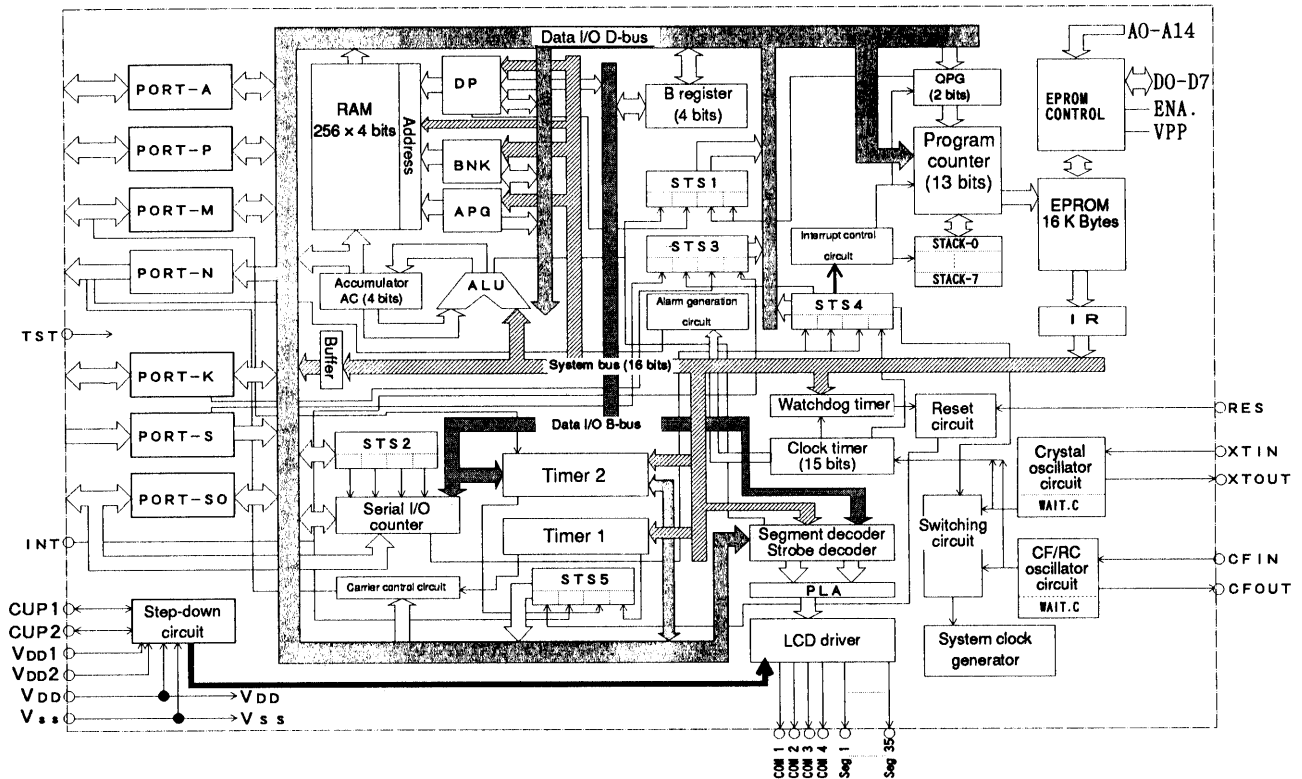
# LC58E76

## Pin Assignments

Pin No.	Symbol	Pin No.	Symbol	Pin No.	Symbol	Pin No.	Symbol
1	COM2	21	V <sub>DD2</sub>	41	N3	61	Seg18
2	COM1	22	V <sub>DD1</sub>	42	N4		62
3	CUP1	23	V <sub>SS</sub>	43	TST	63	Seg20
4	CUP2	24	V <sub>DD</sub>	44	Seg1	64	Seg21
5	RES	25	CFIN	45	Seg2	65	Seg22
6	INT	26	CFOUT	46	Seg3	66	Seg23
7	SO1	27	S1	47	Seg4	67	Seg24
8	SO2	28	S2	48	Seg5	68	Seg25
9	SO3	29	S3	49	Seg6	69	Seg26
10	SO4	30	S4	50	Seg7	70	Seg27
11	A1	31	K1	51	Seg8	71	Seg28
12	A2	32	K2	52	Seg9	72	Seg29
13	A3	33	K3	53	Seg10	73	Seg30
14	A4	34	K4	54	Seg11	74	Seg31
15	P1	35	M1	55	Seg12	75	Seg32
16	P2	36	M2	56	Seg13	76	Seg33
17	P3	37	M3	57	Seg14	77	Seg34
18	P4	38	M4	58	Seg15	78	Seg35
19	XTOUT	39	N1	59	Seg16	79	COM4
20	XTIN	40	N2	60	Seg17	80	COM3

Note: 1. The TST pin must be connected to V<sub>SS</sub> in normal operation.  
 2. When mounting the LC58E76, do not use solder dip techniques.

## System Block Diagram



**LC58E76 System Block Diagram**

- |                                 |                           |  |
|---------------------------------|---------------------------|--|
| RAM : Data memory               | B : B register            | STS4 : Status register 4                         |
| ROM : Program memory            | OPG : ROM page flag       | STS5 : Status register 5                         |
| DP : Data pointer register      | PC : Program counter      | PLA : Program logic for segment data and strobes |
| BNK : Bank register             | IR : Instruction register | WAIT.C : Wait time counter                       |
| APG : RAM page flag             | STS1 : Status register 1  |  |
| AC : Accumulator                | STS2 : Status register 2  |  |
| ALU : Arithmetic and logic unit | STS3 : Status register 3  |  |

## LC58E76

### Pin Functions

Pin	I/O	QFC-80 Pin No.	Function	Option	At reset										
V <sub>DD</sub> V <sub>SS</sub>	— —	24 23	Power supply												
V <sub>DD1</sub> V <sub>DD2</sub>	— —	22 21	LCD drive power supply <table border="1" style="width: 100%; text-align: center;"> <thead> <tr> <th></th> <th>NON</th> <th>1/1 bias</th> <th>1/2 bias</th> <th>1/3 bias</th> </tr> </thead> <tbody> <tr> <td>V<sub>DD</sub> V<sub>DD1</sub> V<sub>DD2</sub> V<sub>SS</sub></td> <td></td> <td></td> <td></td> <td></td> </tr> </tbody> </table>		NON	1/1 bias	1/2 bias	1/3 bias	V <sub>DD</sub> V <sub>DD1</sub> V <sub>DD2</sub> V <sub>SS</sub>						
	NON	1/1 bias	1/2 bias	1/3 bias											
V <sub>DD</sub> V <sub>DD1</sub> V <sub>DD2</sub> V <sub>SS</sub>															
CUP1 CUP2	— —	3 4	Switching pin used to supply the LCD drive voltage to the V <sub>DD1</sub> and V <sub>DD2</sub> pins <ul style="list-style-type: none"> <li>Connect a nonpolar capacitor between CUP1 and CUP2 when 1/2 or 1/3 bias is used.</li> <li>Leave open when a bias other than 1/2 or 1/3 is used.</li> </ul>												
CFIN	Input	25	System clock oscillator connections <ul style="list-style-type: none"> <li>Ceramic resonator connection (CF specifications)</li> <li>RC component connection (RC specifications)</li> <li>External signal input pin (CFOUT is left open)</li> </ul>	<ul style="list-style-type: none"> <li>CF specifications</li> <li>Not used</li> </ul>											
CFOUT	Output	26	This oscillator is stopped by the execution of a STOP or SLOW instruction.												
XTIN	Input	20	Reference calculation (clock specifications, LCD alternation frequency), system clock oscillator <ul style="list-style-type: none"> <li>32 kHz crystal resonator connection</li> </ul>	<ul style="list-style-type: none"> <li>32k specifications</li> <li>65k specifications</li> <li>38k specifications</li> <li>Not used</li> </ul>											
XTOUT	Output	19	65 kHz crystal resonator connection This oscillator is stopped by the execution of a STOP instruction.												
S1 S2 S3 S4	Input	27 28 29 30	Input-only ports <ul style="list-style-type: none"> <li>Input pins used to read data into RAM</li> <li>Built-in 7.8 ms and 1.95 ms chatter exclusion circuits</li> <li>Built-in pull-up/pull-down resistors</li> </ul> Note: The 7.8 ms and 1.95 ms times are the times when $\phi_0$ is 32.768 kHz.	<ul style="list-style-type: none"> <li>Transistors to hold a low or high level</li> <li>Selection of either pull-up or pull-down resistors</li> </ul>	<ul style="list-style-type: none"> <li>The pull-up or pull-down resistors are on.</li> </ul> Note: These pins go to the floating state when reset is cleared.										
K1 K2 K3 K4	I/O	31 32 33 34	I/O ports <ul style="list-style-type: none"> <li>Input pins used to read data into RAM</li> <li>Output pins used to output data from RAM</li> <li>Built-in 7.8 ms and 1.95 ms input-mode chatter exclusion circuits. The selection of 7.8 or 1.95 ms is linked to that for the S ports.</li> </ul> Note: The 7.8 ms and 1.95 ms times are the times when $\phi_0$ is 32.768 kHz.	<ul style="list-style-type: none"> <li>Transistors to hold a low or high level</li> <li>Selection of either pull-up or pull-down resistors</li> </ul>	<ul style="list-style-type: none"> <li>The pull-up or pull-down resistors are on.</li> </ul> Note: These pins go to the floating state when reset is cleared. <ul style="list-style-type: none"> <li>Input mode</li> <li>Output latch data is set high.</li> </ul>										
M1 M2 M3 M4	I/O	35 36 37 38	I/O ports <ul style="list-style-type: none"> <li>Input pins used to read data into RAM</li> <li>Output pins used to output data from RAM</li> <li>M4 is used as the external clock input pin in TM2 mode 3. * The minimum period for the external clock is twice the cycle time.</li> <li>Built-in pull-up/pull-down resistors</li> </ul>	The same as K1 to K4	The same as K1 to K4										
A1 A2 A3 A4	I/O	11 12 13 14	I/O ports <ul style="list-style-type: none"> <li>Input pins used to read data into RAM</li> <li>Output pins used to output data from RAM</li> <li>Built-in pull-up/pull-down resistors</li> </ul>	The same as K1 to K4	The same as K1 to K4										
P1 P2 P3 P4	I/O	15 16 17 18	I/O ports Function: The same as pins A1 to A4	The same as K1 to K4	The same as K1 to K4										

Continued on next page.

## LC58E76

Continued from preceding page.

Pin	I/O	QFC-80 Pin No.	Function	Option	At reset
SO1 SO2 SO3 SO4	I/O	7 8 9 10	<p>I/O ports</p> <p>Function: The same as pins A1 to A4</p> <p>Pins SO1 to SO3 area also used for the serial interface.</p> <ul style="list-style-type: none"> <li>Use of these pins in serial mode can be selected under program control.</li> <li>Pin functions: SO1: Serial input pin SO2: Serial output pin SO3: Serial clock pin</li> </ul> <p>The serial clock pin can be switched between internal and external, and between rising edge output and falling edge output.</p>	<ul style="list-style-type: none"> <li>Transistors to hold a low or high level</li> <li>Selection of either pull-up or pull-down resistors</li> <li>Internal serial clock divisor selection               <ul style="list-style-type: none"> <li>I 1/1</li> <li>II 1/2</li> <li>III 1/4</li> </ul> </li> </ul>	The same as K1 to K4
N1 N2 N3 N4	Output	39 40 41 42	<p>Output-only ports</p> <ul style="list-style-type: none"> <li>Output pins used to output data from RAM</li> <li>An alarm signal can be output from pin N4. (Note that this is only when the N4 output latch is low.)</li> <li>An alarm signal modulated at 1, 2 or 4 kHz can be output. (These frequencies are output when <math>\emptyset 0</math> is 32.768 kHz.)</li> <li>A carrier signal can be output from N3. (Note that this is only when the N3 output latch is low.)</li> </ul>	<ul style="list-style-type: none"> <li>Pin N1 to N4 output circuit type:               <ul style="list-style-type: none"> <li>I N-channel open drain</li> </ul> </li> <li>Pin N1 to N4 output level               <ul style="list-style-type: none"> <li>I High level</li> <li>II Low level</li> </ul> </li> </ul>	The output levels on pins N1 to N4 can be specified as an option.
INT	Input	6	<p>Input ports</p> <ul style="list-style-type: none"> <li>External interrupt request inputs</li> <li>Input pins used to read data into RAM</li> <li>Input detection can be performed on either rising or falling edges.</li> <li>Built-in pull-up/pull-down resistors</li> </ul>	<ul style="list-style-type: none"> <li>Transistors to hold a low or high level</li> <li>Selection of either pull-up or pull-down resistors</li> <li>Signal conversion (rising/falling) selection</li> </ul>	
RES	Input	5	<p>LSI reset input</p> <ul style="list-style-type: none"> <li>The LC58E7008 resets on a high level input</li> </ul> <p>Note: • An external resistor is required.</p> <ul style="list-style-type: none"> <li>The reset pulse must be at least 200 <math>\mu</math>s.</li> </ul>	* Only when the input resistor open specification is selected	
TST	Input	43	<p>Test input</p> <p>Connect to <math>V_{SS}</math> in normal operation.</p>		
Seg1, Seg2 to Seg35	Output	44, 45 to 78	<ul style="list-style-type: none"> <li>LCD panel drive/general-purpose output               <ul style="list-style-type: none"> <li>— LCD panel drive                   <ul style="list-style-type: none"> <li>I STATIC</li> <li>II 1/2 bias – 1/2 duty</li> <li>III 1/2 bias – 1/3 duty</li> <li>IV 1/2 bias – 1/4 duty</li> <li>V 1/3 bias – 1/3 duty</li> <li>VI 1/3 bias – 1/4 duty</li> </ul> </li> <li>Types I to V can be specified as mask options.</li> <li>— General-purpose output mode                   <ul style="list-style-type: none"> <li>I CMOS</li> <li>II P-channel open drain</li> <li>III N-channel open drain</li> </ul> </li> <li>Types I to III can be specified as mask options.</li> </ul> </li> <li>LCD/general-purpose output control is handled by the segment PLA, and thus program control is not required.</li> <li>These pins support output latch control on reset and in standby states when the oscillators are stopped.</li> <li>Arbitrary combinations of LCD drive and general-purpose outputs can be used.</li> </ul>	<ul style="list-style-type: none"> <li>LCD driver/general-purpose output switching</li> <li>LCD drive type switching               <ul style="list-style-type: none"> <li>— STATIC</li> <li>— 1/2 bias – 1/2 duty</li> <li>— 1/2 bias – 1/3 duty</li> <li>— 1/2 bias – 1/4 duty</li> <li>— 1/3 bias – 1/3 duty</li> <li>— 1/3 bias – 1/4 duty</li> </ul> </li> <li>General-purpose output circuit switching               <ul style="list-style-type: none"> <li>— CMOS</li> <li>— P-channel open drain</li> <li>— N-channel open drain</li> </ul> </li> <li>Output latch control in standby modes</li> </ul>	<ul style="list-style-type: none"> <li>LCD drive</li> <li>All segments off</li> <li>General-purpose outputs</li> <li>Low level</li> </ul> <p>Note: When a combination of LCD drive and general-purpose outputs, the output state is either all segments off or low level.</p> <ul style="list-style-type: none"> <li>These pins go to the <math>V_{SS}</math> level during the reset period.</li> </ul>

Continued on next page.

## LC58E76

Continued from preceding page.

Pin	I/O	QFC-80 Pin No.	Function	Option	At reset																														
COM1 COM2 COM3 COM4	Output	2 1 80 79	LCD panel drive common polarity outputs The table below shows how these pins are used depending on the duty used. (Values for alternation frequency reflect a typical specification of 32.768 MHz for ø0) <table border="1" style="margin: 10px auto;"> <thead> <tr> <th></th> <th>Static duty</th> <th>1/2 duty</th> <th>1/3 duty</th> <th>1/4 duty</th> </tr> </thead> <tbody> <tr> <td>COM1</td> <td style="text-align: center;">○</td> <td style="text-align: center;">○</td> <td style="text-align: center;">○</td> <td style="text-align: center;">○</td> </tr> <tr> <td>COM2</td> <td style="text-align: center;">×</td> <td style="text-align: center;">○</td> <td style="text-align: center;">○</td> <td style="text-align: center;">○</td> </tr> <tr> <td>COM3</td> <td style="text-align: center;">×</td> <td style="text-align: center;">×</td> <td style="text-align: center;">○</td> <td style="text-align: center;">○</td> </tr> <tr> <td>COM4</td> <td style="text-align: center;">×</td> <td style="text-align: center;">×</td> <td style="text-align: center;">×</td> <td style="text-align: center;">○</td> </tr> <tr> <td>Alternation frequency</td> <td style="text-align: center;">32 Hz</td> <td style="text-align: center;">32 Hz</td> <td style="text-align: center;">42.7 Hz</td> <td style="text-align: center;">32 Hz</td> </tr> </tbody> </table> Note: A cross ( × ) indicates that the pin is not used with that duty type.		Static duty	1/2 duty	1/3 duty	1/4 duty	COM1	○	○	○	○	COM2	×	○	○	○	COM3	×	×	○	○	COM4	×	×	×	○	Alternation frequency	32 Hz	32 Hz	42.7 Hz	32 Hz		These pins are n-channel open-drain outputs during the reset period.
	Static duty	1/2 duty	1/3 duty	1/4 duty																															
COM1	○	○	○	○																															
COM2	×	○	○	○																															
COM3	×	×	○	○																															
COM4	×	×	×	○																															
Alternation frequency	32 Hz	32 Hz	42.7 Hz	32 Hz																															

### Usage Notes

The following tools and software are required when the LC58E76 is used.

The LC5870 Series Software Development Tools: For creating programs and option data.

Note that only MS-DOS machines are supported as the development host machine. See the LC5870 Series Software Development Tools manuals for details on the use of these tools.

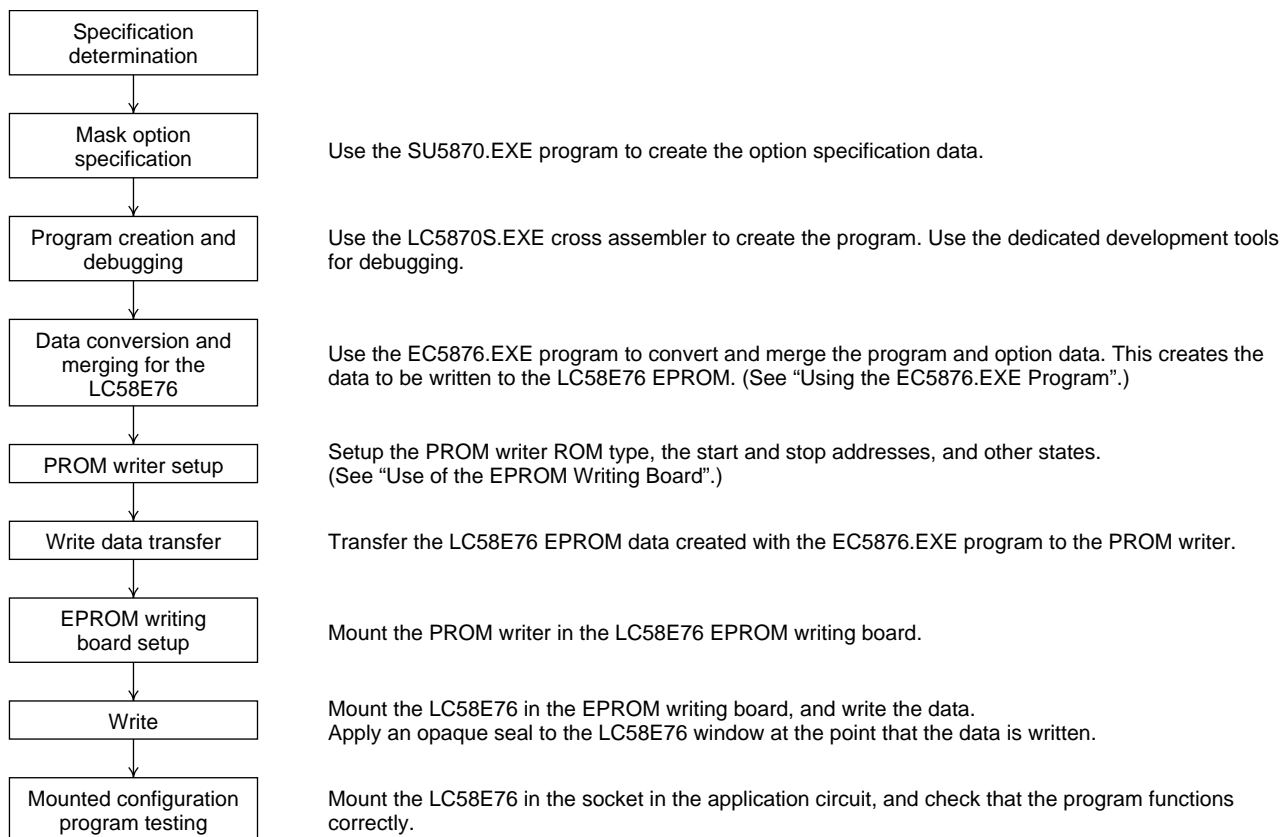
EC5876.EXE: This is a program that converts and merges program and option data for the LC5870 series so that it can be written to the LC58E76 EPROM.

EPROM writing board (adapter socket: W58E68Q): This is a socket adapter that allows a general-purpose PROM writer to be used to write program data to the LC58E76.

General-purpose PROM writer: The EVA-520 programmer that comes with the LC5870 Series Software Development Tools cannot be used. A general-purpose PROM writer must be used.

This section describes the procedures used with the LC58E76 and the EC5876.EXE program, which is one of the tools mentioned above. More details on LC5870 Series program development are available in LC5870 Series Users Manual and the manuals for the LC5870 Series Development Tools and the general-purpose PROM writer.

1. Procedure (This flowchart describes the procedure used.)



Note: There are differences in function and characteristics between the LC58E76 and the LC5870 series mask ROM versions. Be sure to take these differences into account when testing the programmed LC58E76. See the "Usage Notes" section for details on the differences.

2. Using the EC5876.EXE Program (Operation)

As shown in the figures below, the data to be written to the LC58E76 consists of a program data area (instruction code area) and an option data area. The EC5876.EXE program applies a special conversion process to the option specification data to create the option data area data.

The EC5876.EXE program converts and merges program data and option data to create the data to be written to the LC58E76.

• Start-up procedure

A : >EC5876 ROMSAMP.HEX PLASAMP.HEX EP-SAMP.HEX<ENT>

Or:

A : >EC5876<ENT>

\*\*\*\*\*

\* LC58E76 PROGRAM & MASK OPTION CONVERSION Ver XXXXXX \*

\*\*\*\*\*

ROM PROGRAM NAME : ROMSAMP.HEX<ENT>

PLA PROGRAM NAME : PLASAMP.HEX<ENT>

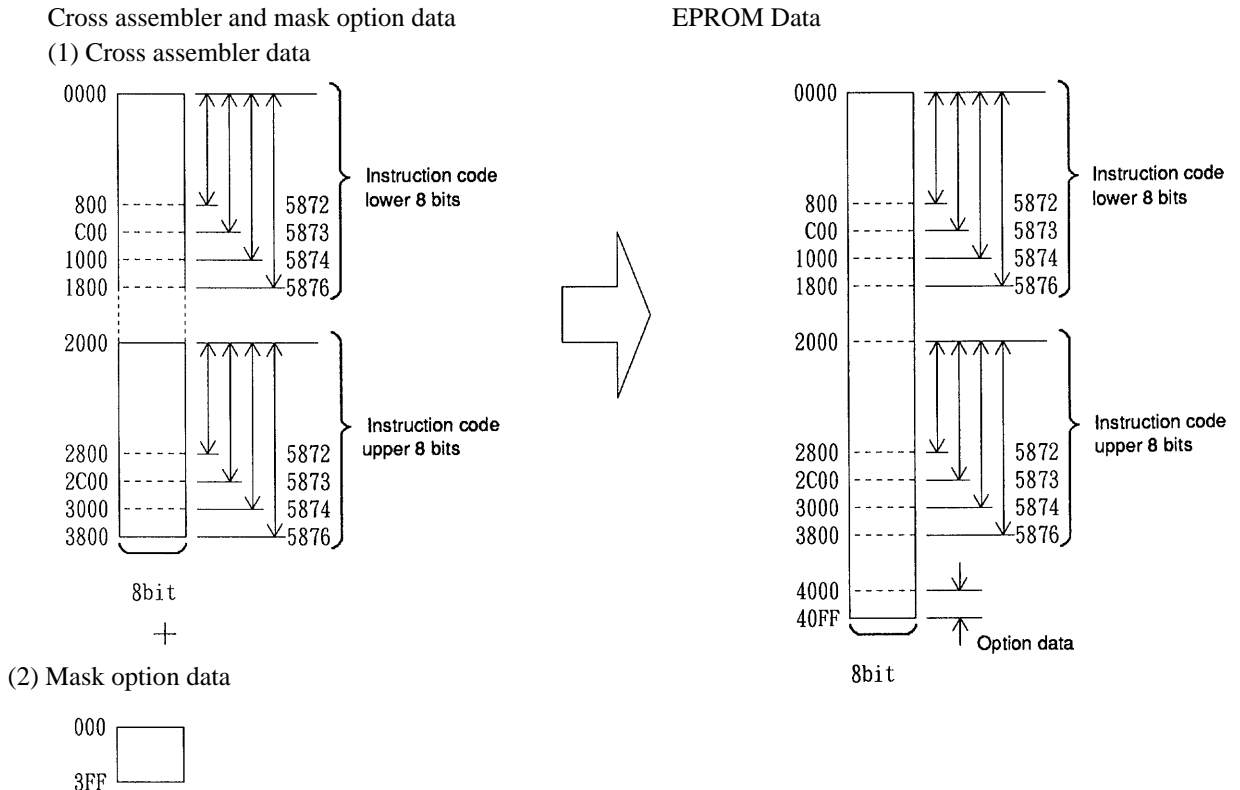
EP ROM WRITE NAME : EP-SAMP.HEX<ENT>

Program complete.....Program termination message

• Error messages

- Error ON filename.HEX, FILE NOT FOUND.....The file “filename.HEX” was not found.  
The filename “filename.HEX” was incorrect.
- Error ON MAKE LC5876, 5874, 5873, 5872.....The ROM data and the option data object  
microprocessor type did not agree. The ROM data  
must be created with a cross assembler and option  
specification software designed for the same  
microprocessor type.
- Error ON filename.HEX, EOF NOT DETECTED.....A hexadecimal record end marker was not found  
in the file “filename.HEX”.
- Error ON filename.HEX, ILLEGAL CHARACTER.....A character other than 0 to 9 or A to F was found  
in a hexadecimal context while reading the file  
“filename.HEX”.
- Error ON filename.HEX, ADDRESS OVER.....An address in the file “filename.HEX” exceeded  
the allowed range.
- Error ON filename.HEX, ILLEGAL FILEHDR.....The header in the file “filename.HEX” is not for  
the LC5870 series.  
There was an error in the hexadecimal file  
specification.
- Error ON command line input,  
INVALID NUMBER OF PARAMETERS.....The number of parameters in the command line  
was inappropriate.
- Error ON ILLEGAL, MASK OPTION DATA.....There was an error in the mask option data.

• EPROM data structure





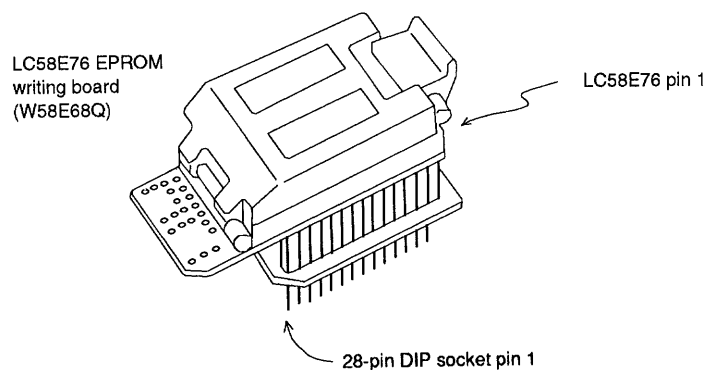
## LC58E76

---

### 3. Use of the W58E68Q EPROM Writing Board (Board used with both the LC58E68 and the LC58E76)

The EPROM writing board is a socket adapter that fits the LC58E76 to the device socket in a general-purpose PROM writer.

- EPROM Writing Board Appearance



- PROM writer settings

- ROM type: 256 K, VPP = 21 V mode
- Start and stop addresses: Set these to 0000H and 40FFH.

### 4. Erasing LC58E76 EPROM Data

Use a general-purpose EPROM eraser to erase data written to an LC58E76.

### 5. Notes On Order Mask ROM

- The following methods cannot be used to order LC5870 Series mask ROM products.

- Use of “.HEX” files that were converted and merged for use in an LC58E76
- Use of an LC58E76 itself

- Ordering mask ROM

- Use the program hexadecimal data generated by the cross assembler.
- Use the option hexadecimal data generated by the option specification software.
- Provide three EPROMs to which the program hexadecimal data has been written using a general-purpose EPROM writer.
- Provide three EPROMs to which the option hexadecimal data has been written using a general-purpose EPROM writer.

## Specifications

The electrical characteristics listed here are provisional values and are subject to change.

### Absolute Maximum Ratings at $V_{SS} = 0\text{ V}$ , $T_A = 25^\circ\text{C}$

Parameter	Symbol	Conditions/Pin		Ratings			Unit
				min	typ	max	
Maximum supply voltage	$V_{DD}$			-0.3		+6.0	V
	$V_{DD1}$			-0.3		$V_{DD}$	V
	$V_{DD2}$			-0.3		$V_{DD}$	V
Maximum input voltage	$V_i$ (1)	As allowed in the specified circuit (Figure 1) XTIN, CFIN		Allowed up to the voltage that appears			
	$V_i$ (2)	S1 – 4, K1 – 4, P1 – 4, SO1 – 4, A1 – 4, RES, INT, TST (K, P, M, SO and A ports in input mode)		-0.3		$V_{DD}$ +0.3	V
Maximum output voltage	$V_o$ (1)	As allowed in the specified circuit (Figure 1) XTOUT, CFOUT		Allowed up to the voltage that appears			
	$V_o$ (2)	K1 – 4, P1 – 4, SO1 – 4, A1 – 4, N1 – 4, CUP1, CUP2, Seg1 – 35, COM1 – 4, (K, P, M, SO and A ports in output mode)		-0.3		$V_{DD}$ +0.3	V
	$V_o$ (3)	Open drain specifications	N1 to N4 (n-channel)	-0.3		+13	V
Output pin current	$I_o$ (1)	Per pin	N1 – 4	0		15	mA
	$I_o$ (2)	Per pin		-10		0	mA
	$I_o$ (3)	Per pin	K1 – 4, P1 – 4, M1 – 4, SO1 – 4, A1 – 4	0		5	mA
	$I_o$ (4)	Per pin		-5		0	mA
	$\Sigma I_o$ (1)	Total (summed) pin current	K1 – 4, P1 – 4, M1 – 4, SO1 – 4, A1 – 4, N1 – 4, Seg1 – 35			70	mA
	$\Sigma I_o$ (2)	Total (summed) pin current		-70			mA
Allowable power dissipation	$P_{dmax}$	For the QFC80 window ceramic flat package				500	mW
Operating temperature	$T_{opr}$			10		40	$^\circ\text{C}$
Storage temperature	$T_{stg}$			-55		+125	$^\circ\text{C}$

## LC58E76

### Allowable Operating Ranges at $V_{SS} = 0\text{ V}$ , $T_a = 25^\circ\text{C}$

Parameter	Symbol	Conditions/Pin	Ratings			Unit	
			min	typ	max		
Supply voltage	$V_{DD}$	No LCD specifications: $V_{DD1} = V_{DD2} = V_{DD}$	2.8		5.5	V	
		Static drive specifications: $V_{DD1} = V_{DD2} = V_{DD}$	2.8		5.5	V	
		1/2 bias specifications: $V_{DD1} = V_{DD2} \cong 1/2V_{DD}$	2.8		5.5	V	
		1/3 bias specifications: $V_{DD1} \cong 2 \times 1/3V_{DD}$ $V_{DD2} \cong 1/3V_{DD}$	2.8		5.5	V	
Data retention supply voltage	$V_{HD}$	RAM and register contents retention voltage*	2.8		$V_{DD}$	V	
Input high-level voltage	$V_{IH1}$	S1 – 4, K1 – 4, P1 – 4, M1 – 4, SO1 – 4, A1 – 4, INT (K, P, M, SO and A ports in input mode)	$0.7 V_{DD}$		$V_{DD}$	V	
Input low-level voltage	$V_{IL1}$		0		$0.3 V_{DD}$	V	
Input high-level voltage	$V_{IH2}$	RES pin	$0.75 V_{DD}$		$V_{DD}$	V	
Input low-level voltage	$V_{IL2}$		0		$0.25 V_{DD}$	V	
Input high-level voltage	$V_{IH3}$	CFIN pin	$0.75 V_{DD}$		$V_{DD}$	V	
Input low-level voltage	$V_{IL3}$		0		$0.25 V_{DD}$	V	
Operating frequency 1	fopg1	$V_{DD} = 2.8$ to $5.5\text{ V}$ , 32 kHz	XTIN/XTOUT crystal oscillator	32		33	kHz
Operating frequency 2	fopg2	$V_{DD} = 2.8$ to $5.5\text{ V}$ , 38 kHz		37		39	kHz
Operating frequency 3	fopg3	$V_{DD} = 2.8$ to $5.5\text{ V}$ , 65 kHz		60		70	kHz
Operating frequency 4	fopg4	$V_{DD} = 2.8$ to $5.5\text{ V}$	CFIN/CFOUT CF specifications	190		1200	kHz
Operating frequency 5	fopg5	$V_{DD} = 3.0$ to $5.5\text{ V}$		190		2300	kHz
Operating frequency 6	fopg6	$V_{DD} = 4.5$ to $5.5\text{ V}$		190		4200	kHz
Operating frequency 7	fopg7	$V_{DD} = 3.0$ to $5.5\text{ V}$	Pins SO1 and SO3 (in serial mode) The rising and falling edges of input signal and clock waveforms must be $\leq 10\ \mu\text{s}$ .	DC		200	kHz

Note: \* In a state with the CF/RC oscillator and the crystal oscillator completely stopped, and all internal circuits stopped

### Electrical Characteristics at $V_{DD} = 2.8$ to $3.2\text{ V}$ , $V_{SS} = 0\text{ V}$ , $T_a = 25^\circ\text{C}$

Parameter	Symbol	Conditions/Pin	Ratings			Unit
			min	typ	max	
Input resistance	$R_{IN1\ A}$	$V_{IN} = 0.2 V_{DD}$ , Low-level hold transistor *, Figure 2	60	300	1200	k $\Omega$
	$R_{IN1\ B}$	$V_{IN} = V_{DD}$ , Pull-down resistor *, Figure 2	30	150	500	k $\Omega$
	$R_{IN1\ C}$	$V_{IN} = 0.8 V_{DD}$ , High-level hold transistor *, Figure 2	60	300	1200	k $\Omega$
	$R_{IN1\ D}$	$V_{IN} = V_{SS}$ , Pull-up resistor *, Figure 2	30	150	500	k $\Omega$
	$R_{IN2\ A}$	$V_{IN} = 0.2 V_{DD}$ , INT low-level hold transistor	60	300	1200	k $\Omega$
	$R_{IN2\ B}$	$V_{IN} = V_{DD}$ , INT pull-down resistor	300	1500	5000	k $\Omega$
	$R_{IN2\ C}$	$V_{IN} = 0.8 V_{DD}$ , INT high-level hold transistor	60	300	1200	k $\Omega$
	$R_{IN2\ D}$	$V_{IN} = V_{SS}$ , INT pull-up resistor	300	1500	5000	k $\Omega$
	$R_{IN3}$	$V_{IN} = V_{DD}$ , With a pull-down resistor on the TST pin	20	70	300	k $\Omega$
Output low-level voltage	$V_{OL\ (1)}$	$I_{OL} = 1.0\text{ mA}$	N1 – 4		0.5	V
Output high-level voltage	$V_{OH\ (2)}$	$I_{OH} = -400\ \mu\text{A}$	K1 – 4, P1 – 4, M1 – 4, SO1 – 4, A1 – 4 (K, P, M, SO and A ports in output mode)	$V_{DD} - 0.5$		V
Output low-level voltage	$V_{OL\ (2)}$	$I_{OL} = 400\ \mu\text{A}$				0.5
Output off leakage current	$ I_{OFF} $	$V_{OH} = 10.5\text{ V}$	N1 – 4, Figure 10		1.0	$\mu\text{A}$
Segment port output impedance • When CMOS output ports are used						
Output high-level voltage	$V_{OH\ (3)}$	$I_{OH} = -100\ \mu\text{A}$	Seg 1 to 35	$V_{DD} - 0.5$		V
Output low-level voltage	$V_{OL\ (3)}$	$I_{OL} = 100\ \mu\text{A}$				0.5

Note: \* The 24 pins S1 to S4, K1 to K4, P1 to P4, M1 to M4, SO1 to SO4 and A1 to A4.

Continued on next page.

## LC58E76

Continued from preceding page.

Parameter	Symbol	Conditions/Pin	Ratings			Unit	
			min	typ	max		
• When p-channel open-drain output ports are used (See Figure 11.)							
Output high-level voltage	$V_{OH(3)}$	$I_{OH} = -100 \mu A$	Seg 1 to 35	$V_{DD} - 0.5$		V	
Output off leakage current	$ I_{OFF} $	$V_{OL} = V_{SS}$				1.0	$\mu A$
• When n-channel open-drain output ports are used (See Figure 11.)							
Output low-level voltage	$V_{OL(3)}$	$I_{OL} = 100 \mu A$	Seg 1 to 35			0.5 V	
Output off leakage current	$ I_{OFF} $	$V_{OH} = V_{DD}$				1.0	$\mu A$
• Static drive							
Output high-level voltage	$V_{OH(4)}$	$I_{OH} = -20 \mu A$	Seg 1 to 35	$V_{DD} - 0.2$		V	
Output low-level voltage	$V_{OL(4)}$	$I_{OL} = 20 \mu A$				0.2 V	
Output high-level voltage	$V_{OH(5)}$	$I_{OH} = -100 \mu A$	COM1	$V_{DD} - 0.2$		V	
Output low-level voltage	$V_{OL(5)}$	$I_{OL} = 100 \mu A$				0.2 V	
• 1/2 bias							
Output high-level voltage	$V_{OH(4)}$	$I_{OH} = -20 \mu A$	Seg 1 to 35	$V_{DD} - 0.2$		V	
Output low-level voltage	$V_{OL(4)}$	$I_{OL} = 20 \mu A$				0.2	V
Output high-level voltage	$V_{OH(6)}$	$I_{OH} = -100 \mu A$	COM1 – 4	$V_{DD} - 0.2$		V	
Output middle-level voltage	$V_{OM2-1}$	$I_{OH} = -100 \mu A$ $I_{OL} = 100 \mu A$		$V_{DD}/2 - 0.2$		$V_{DD}/2 + 0.2$	V
Output low-level voltage	$V_{OL(6)}$	$I_{OL} = 100 \mu A$				0.2	V
• 1/3 bias							
Output high-level voltage	$V_{OH(4)}$	$I_{OH} = -20 \mu A$	Seg 1 to 35	$V_{DD} - 0.2$		V	
Output middle-level voltage	$V_{OM1-1}$	$I_{OH} = -20 \mu A$		$2V_{DD}/3 - 0.2$		$2V_{DD}/3 + 0.2$	V
	$V_{OM1-2}$	$I_{OL} = 20 \mu A$		$V_{DD}/3 - 0.2$		$V_{DD}/3 + 0.2$	V
Output low-level voltage	$V_{OL(4)}$	$I_{OL} = 20 \mu A$				0.2	V
Supply leakage current	$I_{LEK(1)}$	$V_{DD} = 3.0 V$	Ta = 25°C, STOP mode, Figure 3		1.0	$\mu A$	
Input leakage current	$I_{OFF}$	$V_{DD} = 3.0 V$	S1 – 4, K1 – 4, P1 – 4, M1 – 4, SO1 – 4, A1 – 4, INT, RES (K, P, M, SO and A ports in input mode, INT and RES pin open specifications)				
		$V_{IN} = V_{DD}$				1.0	$\mu A$
		$V_{IN} = V_{SS}$		-1.0			$\mu A$
Output voltage 1	$V_{DD1-1}$	$V_{DD} = 3.0 V, C1 = C2 = 0.1 \mu F$ 1/2 bias, fopg = 32.768 kHz, Figure 4	$V_{DD1} = V_0$		1.5	V	
Output voltage 2	$V_{DD2-1}$	$V_{DD} = 3.0 V, C1 = C2 = 0.1 \mu F$ 1/3 bias, fopg = 32.768 kHz, Figure 4	$V_{DD1} = V_0$ $V_{DD2} = V_0$		2.0	V	
	$V_{DD2-2}$				1.0	V	
Supply current 1	$ I_{DD}  1$	$V_{DD} = 3.0 V$	Ta = 25°C, Crystal oscillator specifications, Crystal: 32 kHz, Cg = 20 pF, Cl = 25 k $\Omega$ Halt mode, LCD at 1/3 bias, Figure 6		5.0	$\mu A$	
Supply current 2	$ I_{DD}  2$	$V_{DD} = 3.0 V$	Ta = 25°C, Crystal oscillator specifications, Crystal: 38 kHz or 65 kHz, Cg = 10 pF, Cl = 25 k $\Omega$ , Halt mode, LCD at 1/3 bias, Figure 6		10.0	$\mu A$	
Supply current 3	$ I_{DD}  3$	$V_{DD} = 3.0 V$	Ta = 25°C, CF oscillator specifications, CF: 400 kHz, Ccg = Ccd = 330 pF Halt mode, LCD at 1/3 bias, Figure 8		150	$\mu A$	
Supply current 4	$ I_{DD}  4$	$V_{DD} = 3.0 V$	Ta = 25°C, CF oscillator specifications, CF: 1 MHz, Ccg = Ccd = 100 pF, Halt mode, LCD at 1/3 bias, Figure 8		200	$\mu A$	

Continued on next page.

## LC58E76

Continued from preceding page.

Parameter	Symbol	Conditions/Pin	Ratings			Unit
			min	typ	max	
Oscillator start time	TSTT	$V_{DD} = 2.8\text{ V}$ Crystal oscillator specifications, with a 32 kHz crystal $C_I \leq 25\text{ k}\Omega$ , $C_g = 20\text{ pF}$			5	s
Oscillator stabilization degree	$\Delta f$	$V_{DD} = 2.95$ to $3.05\text{ V}$ Figure 6			3	ppm
Oscillator start time	TSTT	$V_{DD} = 2.8\text{ V}$ Crystal oscillator specifications, with a 38 or 65 kHz crystal $X_{Cg} = 10\text{ pF}$ , $C_I \leq 25\text{ k}\Omega$ Figure 6			5	s
Oscillator start time	TSTT	$V_{DD} = 2.8\text{ V}$ CF oscillator specifications, with a 400 kHz CF used $C_{cg} = C_{cd} = 330\text{ pF}$ , Figure 7			30	ms
Oscillator start time	TSTT	$V_{DD} = 2.8\text{ V}$ CF oscillator specifications, with an 800 kHz CF used $C_{cg} = C_{cd} = 220\text{ pF}$ or $100\text{ pF}$ Figure 7			30	ms
Oscillator compensation capacitance	$C_d$	$V_{DD} = 3.0\text{ V}$ XTOUT pin (built-in)		20		pF

### Electrical Characteristics at $V_{DD} = 4.5$ to $5.5\text{ V}$ , $V_{SS} = 0\text{ V}$ , $T_a = 25^\circ\text{C}$

Parameter	Symbol	Conditions/Pin	Ratings			Unit	
			min	typ	max		
Input resistance	$R_{IN1\ A}$	$V_{IN} = 0.2 V_{DD}$ , Low-level hold transistor *, Figure 2	30	120	500	$\text{k}\Omega$	
	$R_{IN1\ B}$	$V_{IN} = V_{DD}$ , Pull-down resistor *, Figure 2	10	50	200	$\text{k}\Omega$	
	$R_{IN1\ C}$	$V_{IN} = 0.8 V_{DD}$ , High-level hold transistor *, Figure 2	30	120	500	$\text{k}\Omega$	
	$R_{IN1\ D}$	$V_{IN} = V_{SS}$ , Pull-up resistor *, Figure 2	10	50	200	$\text{k}\Omega$	
	$R_{IN2\ A}$	$V_{IN} = 0.2 V_{DD}$ , INT low-level hold transistor	30	120	500	$\text{k}\Omega$	
	$R_{IN2\ B}$	$V_{IN} = V_{DD}$ , INT pull-down resistor	100	500	2000	$\text{k}\Omega$	
	$R_{IN2\ C}$	$V_{IN} = 0.8 V_{DD}$ , INT high-level hold transistor	30	120	500	$\text{k}\Omega$	
	$R_{IN2\ D}$	$V_{IN} = V_{SS}$ , INT pull-up resistor	100	500	2000	$\text{k}\Omega$	
	$R_{IN3}$	$V_{IN} = V_{DD}$ , With a pull-down resistor on the TST pin	20	70	300	$\text{k}\Omega$	
Output low-level voltage	$V_{OL\ (1)}$	$I_{OL} = 10.0\text{ mA}$ N1 – 4			0.5	V	
Output high-level voltage	$V_{OH\ (2)}$	$I_{OH} = -1.0\text{ mA}$ K1 – 4, P1 – 4, M1 – 4, SO1 – 4, A1 – 4	$V_{DD} - 0.5$	$V_{DD} - 0.2$		V	
Output low-level voltage	$V_{OL\ (2)}$	$I_{OL} = 2.0\text{ mA}$ (K, P, M, SO and A ports in output mode)		0.2	0.5	V	
Output off leakage current	$I_{OFF}$	$V_{OH} = 10.5\text{ V}$ N1 – 4, Figure 10			1.0	$\mu\text{A}$	
Segment port output impedance							
• When CMOS output ports are used							
Output high-level voltage	$V_{OH\ (3)}$	$I_{OH} = -500\ \mu\text{A}$	Seg 1 to 35	$V_{DD} - 0.5$	$V_{DD} - 0.2$	V	
Output low-level voltage	$V_{OL\ (3)}$	$I_{OL} = 500\ \mu\text{A}$				0.5	V
• When p-channel open drain output ports are used (See Figure 11.)							
Output high-level voltage	$V_{OH\ (4)}$	$I_{OH} = -500\ \mu\text{A}$	Seg 1 to 35	$V_{DD} - 0.5$	$V_{DD} - 0.2$	V	
Output off leakage current	$I_{OFF}$	$V_{OL} = V_{SS}$				1.0	$\mu\text{A}$
• When n-channel open-drain output ports are used (See Figure 11.)							
Output low-level voltage	$V_{OL\ (4)}$	$I_{OL} = 500\ \mu\text{A}$	Seg 1 to 35		0.2	0.5	V
Output off leakage current	$I_{OFF}$	$V_{OH} = V_{DD}$				1.0	$\mu\text{A}$
• Static drive							
Output high-level voltage	$V_{OH\ (4)}$	$I_{OH} = -40\ \mu\text{A}$	Seg 1 to 35	$V_{DD} - 0.2$		V	
Output low-level voltage	$V_{OL\ (4)}$	$I_{OL} = 40\ \mu\text{A}$				0.2	V
Output high-level voltage	$V_{OH\ (6)}$	$I_{OH} = -400\ \mu\text{A}$	COM1	$V_{DD} - 0.2$		V	
Output low-level voltage	$V_{OL\ (6)}$	$I_{OL} = 400\ \mu\text{A}$				0.2	V

Note: \* The 24 pins S1 to S4, K1 to K4, P1 to P4, M1 to M4, SO1 to SO4 and A1 to A4.

Continued on next page.

## LC58E76

Continued from preceding page.

Parameter	Symbol	Conditions/Pin	Ratings			Unit	
			min	typ	max		
• 1/2 bias							
Output high-level voltage	$V_{OH}(4)$	$I_{OH} = -40 \mu A$	Seg 1 to 35	$V_{DD} - 0.2$		V	
Output low-level voltage	$V_{OL}(4)$	$I_{OL} = 40 \mu A$				0.2	V
Output high-level voltage	$V_{OH}(6)$	$I_{OH} = -400 \mu A$	COM1 – 4	$V_{DD} - 0.2$		V	
Output middle-level voltage	$V_{OM2-1}$	$I_{OH} = -400 \mu A$ $I_{OL} = 400 \mu A$		$V_{DD}/2 - 0.2$		$V_{DD}/2 + 0.2$	V
Output low-level voltage	$V_{OL}(6)$	$I_{OL} = 400 \mu A$				0.2	V
• 1/3 bias							
Output high-level voltage	$V_{OH}(4)$	$I_{OH} = -40 \mu A$	Seg 1 to 35	$V_{DD} - 0.2$		V	
Output middle-level voltage	$V_{OM1-1}$	$I_{OH} = -40 \mu A$		$2V_{DD}/3 - 0.2$		$2V_{DD}/3 + 0.2$	V
	$V_{OM1-2}$	$I_{OL} = 40 \mu A$		$V_{DD}/3 - 0.2$		$V_{DD}/3 + 0.2$	V
Output low-level voltage	$V_{OL}(4)$	$I_{OL} = 40 \mu A$			0.2	V	
Output high-level voltage	$V_{OH}(6)$	$I_{OH} = -400 \mu A$	COM1 – 4	$V_{DD} - 0.2$		V	
Output middle-level voltage	$V_{OM2-1}$	$I_{OH} = -400 \mu A$ $I_{OL} = 400 \mu A$		$2V_{DD}/3 - 0.2$		$2V_{DD}/3 + 0.2$	V
	$V_{OM2-2}$	$I_{OL} = 400 \mu A$		$V_{DD}/3 - 0.2$		$V_{DD}/3 + 0.2$	V
Output low-level voltage	$V_{OL}(6)$	$I_{OL} = 400 \mu A$			0.2	V	
Supply leakage current	$I_{LEK}(1)$	$V_{DD} = 5.5 V$	Ta = 25°C, Stop mode, Figure 3	1.0		$\mu A$	
Input leakage current	$I_{OFF}$	$V_{DD} = 5.5 V$	S1 – 4, K1 – 4, M1 – 4, SO1 – 4, A1 – 4, INT, RES (K, P, M, SO and A ports in input mode, INT and RES pin open specifications)				
		$V_{IN} = V_{DD}$				1.0	$\mu A$
		$V_{IN} = V_{SS}$		-1.0			$\mu A$
Output voltage 1	$V_{DD1-1}$	$V_{DD} = 5.0 V, C1 = C2 = 0.1 \mu F, 1/2$ bias, fopg = 32.768 kHz	$V_{DD1} = V_0$ Figure 4		2.5	V	
Output voltage 2	$V_{DD2-1}$	$V_{DD} = 5.0 V, C1 = C2 = 0.1 \mu F, 1/3$ bias, fopg = 32.768 kHz	$V_{DD1} = V_0$ $V_{DD2} = V_0$ Figure 4		3.33	V	
	$V_{DD2-2}$				1.67	V	
Supply current 1	$ I_{DD}  1$	$V_{DD} = 5.0 V$	Ta = 25°C, Crystal oscillator specifications, Crystal: 32 kHz, Cg = 20 pF, Cl = 25 k $\Omega$ Halt mode, LCD at 1/3 bias, Figure 6		20	$\mu A$	
Supply current 2	$ I_{DD}  2$	$V_{DD} = 5.0 V$	Ta = 25°C, Crystal oscillator specifications, Crystal: 38 kHz or 65 kHz, Cg = 10 pF, Cl = 25 k $\Omega$ , Halt mode, LCD at 1/3 bias, Figure 6		30	$\mu A$	
Supply current 3	$ I_{DD}  3$	$V_{DD} = 5.0 V$	Ta = 25°C, CF oscillator specifications, CF: 400 kHz, Ccg = Ccd = 330 pF Halt mode, LCD at 1/3 bias, Figure 7		400	$\mu A$	
Supply current 4	$ I_{DD}  4$	$V_{DD} = 5.0 V$	Ta = 25°C, CF oscillator specifications, CF: 1 MHz, Ccg = Ccd = 100 pF, Halt mode, LCD at 1/3 bias, Figure 8		450	$\mu A$	
Supply current 5	$ I_{DD}  5-1$	$V_{DD} = 5.0 V$	Ta = 25°C, CF oscillator specifications, CF: 2 MHz, Ccg = Ccd = 33 pF, Halt mode, LCD at 1/3 bias, Figure 8		500	$\mu A$	
Supply current 6	$ I_{DD}  6-1$	$V_{DD} = 5.0 V$	Ta = 25°C, CF oscillator specifications, CF: 4 MHz, Ccg = Ccd = 33 pF, Halt mode, LCD at 1/3 bias, Figure 8		700	$\mu A$	
Oscillator compensation capacitance	Cd	$V_{DD} = 5.0 V$	XTOUT pin (built-in)		20	pF	

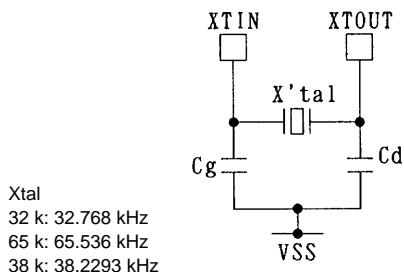


Figure 1-(1) Specified Oscillator Circuit (XT pin)

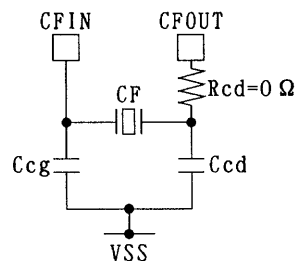


Figure 1-(2) Specified Oscillator Circuit (CF pin)

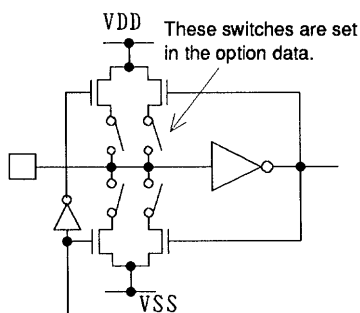
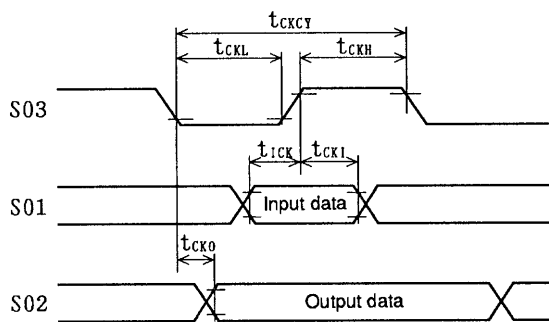


Figure 2 S, K, P, M, SO and A Port Input Circuit

(Reference)

Recommended Ceramic Resonators for Mask ROM Versions

Manufacturer Item	Murata Mfg. Co., Ltd.			Kyocera Corporation		
	Type No.	Ccg (pF)	Ccd (pF)	Type No.	Ccg (pF)	Ccd (pF)
400 kHz	CSB400P	330	330	KBR-400B	330	330
800 kHz	CSB800J	220	220	KBR-800H	100	100
1 MHz	CSB1000J	220	220	KBR-1000H	100	100
2 MHz	CSA2.00MG, CST2.00MG	33	33	KBR-2.00MS	33	33
4 MHz	CSA4.00MG, CST4.00MG	33	33	KBR-4.00MS	33	33



$t_{cxcy}$	.....	5 $\mu$ s	MIN
$t_{cxl}=t_{cxh}$	.....	2.4 $\mu$ s	MIN
$t_{cck}$	.....	1 $\mu$ s	MIN
$t_{cxi}$	.....	1 $\mu$ s	MIN
$t_{cxo}$	.....	1 $\mu$ s	MAX
VDD=3.0 to 5.5V			

Figure 13 Serial I/O Timing (in external clock mode)

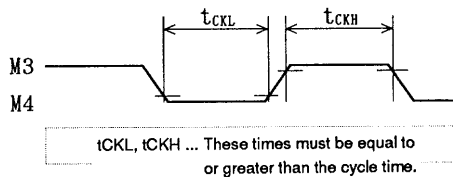


Figure 14 Timer 2 External Clock Input Timing (in external clock mode: pin M4)

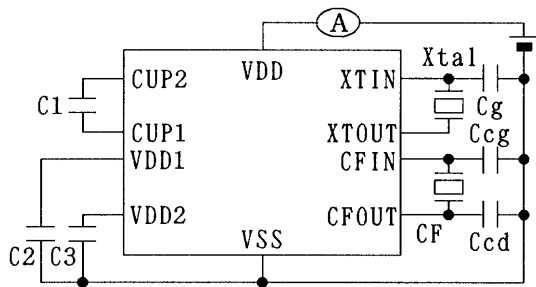


Figure 3 Supply Leakage Current Test Circuit

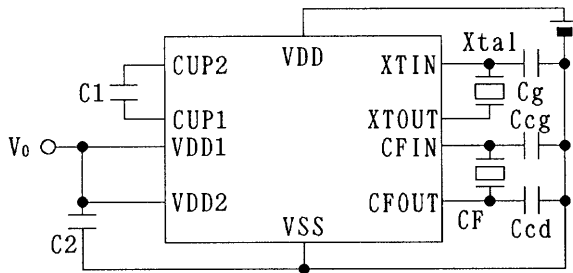
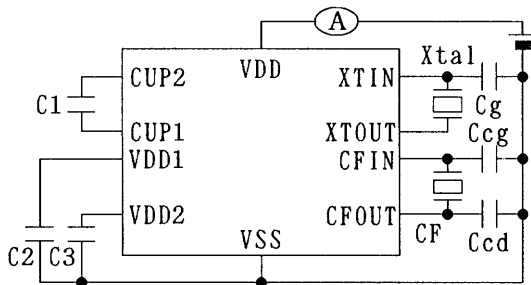
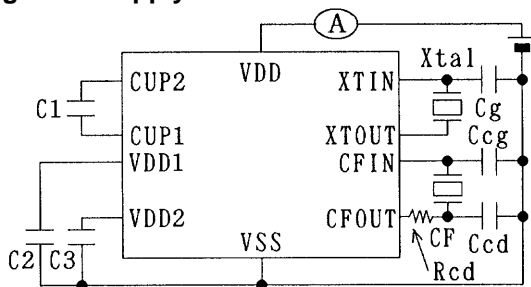


Figure 4 Output Voltage Test Circuit



Note: With the CF oscillator stopped  
With a 32, 38, or 65 kHz crystal  
C1, C2, C3: 0.1  $\mu$ F

Figure 6: Supply Current Test Circuit



Note: The crystal is in the oscillator stopped state

Figure 8 Supply Current Test Circuit

Figure 3

- In the stop state
- With the S-port input resistors on
- With the I/O ports in output mode with high-level data values
- With the INT pin built-in resistor connected and in the open state
- With an external pull-down resistor on the RES pin
- The LCD-port values do not include the external component currents.
- With a crystal frequency between 32 and 65 kHz
- With CF between 200 kHz and 4 MHz

Figures 4 and 5

- With a crystal frequency of 32 kHz
- C1, C2, and C3 are 0.1  $\mu$ F capacitors.
- With the LCD ports open
- With CD between 200 kHz and 4 MHz

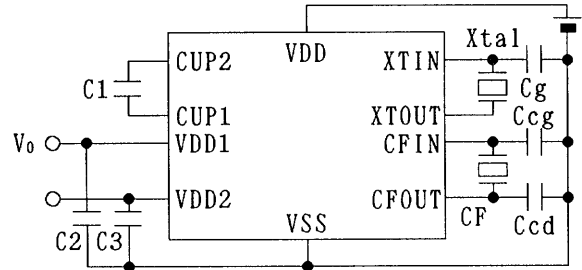


Figure 5 Output Voltage Test Circuit

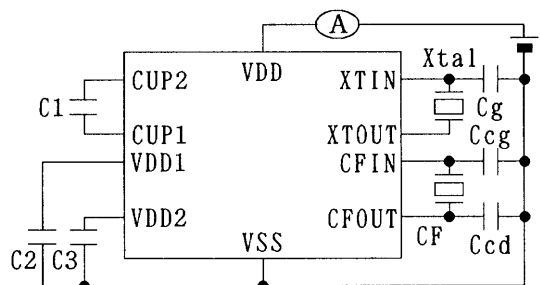


Figure 7: Supply Current Test Circuit

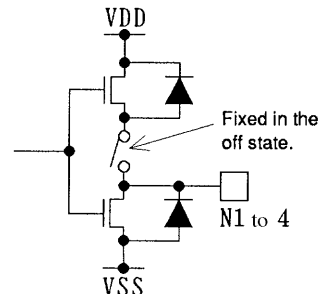
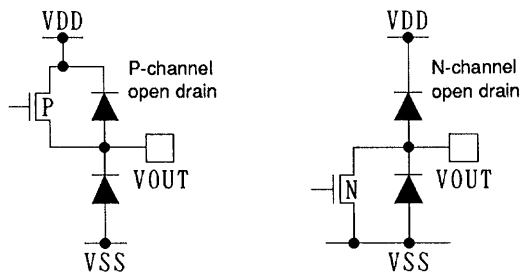


Figure 10 Pin N1 to Pin N4 Circuits





**Figure 11: Segment Pin Open-Drain Circuits**

- Specifications of any and all SANYO products described or contained herein stipulate the performance, characteristics, and functions of the described products in the independent state, and are not guarantees of the performance, characteristics, and functions of the described products as mounted in the customer's products or equipment. To verify symptoms and states that cannot be evaluated in an independent device, the customer should always evaluate and test devices mounted in the customer's products or equipment.
- SANYO Electric Co., Ltd. strives to supply high-quality high-reliability products. However, any and all semiconductor products fail with some probability. It is possible that these probabilistic failures could give rise to accidents or events that could endanger human lives, that could give rise to smoke or fire, or that could cause damage to other property. When designing equipment, adopt safety measures so that these kinds of accidents or events cannot occur. Such measures include but are not limited to protective circuits and error prevention circuits for safe design, redundant design, and structural design.
- In the event that any or all SANYO products (including technical data, services) described or contained herein are controlled under any of applicable local export control laws and regulations, such products must not be exported without obtaining the export license from the authorities concerned in accordance with the above law.
- No part of this publication may be reproduced or transmitted in any form or by any means, electronic or mechanical, including photocopying and recording, or any information storage or retrieval system, or otherwise, without the prior written permission of SANYO Electric Co., Ltd.
- Any and all information described or contained herein are subject to change without notice due to product/technology improvement, etc. When designing equipment, refer to the "Delivery Specification" for the SANYO product that you intend to use.
- Information (including circuit diagrams and circuit parameters) herein is for example only; it is not guaranteed for volume production. SANYO believes information herein is accurate and reliable, but no guarantees are made or implied regarding its use or any infringements of intellectual property rights or other rights of third parties.

This catalog provides information as of December, 1998. Specifications and information herein are subject to change without notice.