


SANYO	No.624D	LB1416,1426,1436
		Monolithic Digital IC LEVEL METER

General Description of Functions

- . Indication format : The input level is indicated in the form of a bar by means of 5 LEDs (green/red LED : drivable).
- . Input amplifier : 2 half-wave rectification amplifiers are built in.
- . Input amplifier output : Of 2 input amplifiers, the amplifier whose input is larger takes precedence.
- . Comparator level : LB1416 : +6, +3, 0, -5, -10 [dB] (Log scale)
LB1426 : +3, +2.4, +1.8, +1.2, +0.6 [V] (Linear scale)
LB1436 : +9, +6, +3, 0 -5 [dB] (Log scale)
- . Offset voltage of input amplifier : If the amplifier gain is taken as 20dB, the output voltage is within $\pm 150\text{mV}$.
- . Supply voltage : Wide range of supply voltage : 5.0 to 16V.
- . Reference voltage V_{ref} : 2.8 ± 0.2 V.
- . LED output voltage : Constant voltage.
- . LED current : Constant current by means of an external resistor.
- . Allowable power dissipation : 1.15W at $T_a=35^\circ\text{C}$

Comparator Level at $T_a=25^\circ\text{C}$, $V_{\text{CC}}=5.0$ to 16V.

Comparator Level	Symbol	Pin No.	Conditions	LB1416			LB1426				
				min	typ	max	unit	min	typ	max	unit
D5	GD5	Pin 13	$V_{\text{RO2}}=3.0\text{V}$ $V_{\text{RO1}}=0\text{V}$	5.5	6.0	6.5	dB	2.9	3.0	3.1	V
D4	GD4	Pin 12		2.5	3.0	3.5	dB	2.3	2.4	2.5	V
D3	GD3	Pin 11		-0.5	0	0.5	dB	1.7	1.8	1.9	V
D2	GD2	Pin 10		-6.0	-5.0	-4.0	dB	1.1	1.2	1.3	V
D1	GD1	Pin 9		-12	-10	-8	dB	0.5	0.6	0.7	V

Comparator Level	Symbol	Pin No.	Conditions	LB1436			
				min	typ	max	unit
D5	GD5	Pin 13	$V_{\text{RO2}}=3.0\text{V}$ $V_{\text{RO1}}=0\text{V}$	8.5	9.0	9.5	dB
D4	GD4	Pin 12		5.5	6.0	6.5	dB
D3	GD3	Pin 11		2.5	3.0	3.5	dB
D2	GD2	Pin 10		-1	0	1	dB
D1	GD1	Pin 9		-7	-5.0	-3.5	dB

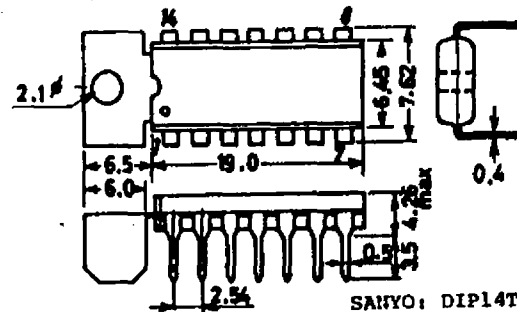
Note) LB1416 : Definition of 0dB in case of $V_{\text{ref}}=3.0\text{V}$.

When reference voltage V_{RO2} of the comparator is 3V, 1.5V is taken as 0dB.

LB1436 : Definition of 3dB in case of $V_{\text{ref}}=3.0\text{V}$.

When reference voltage V_{RO2} of the comparator is 3V, 1.5V is taken as 3dB.

Case Outline 3005A-D14TIC (unit:mm)



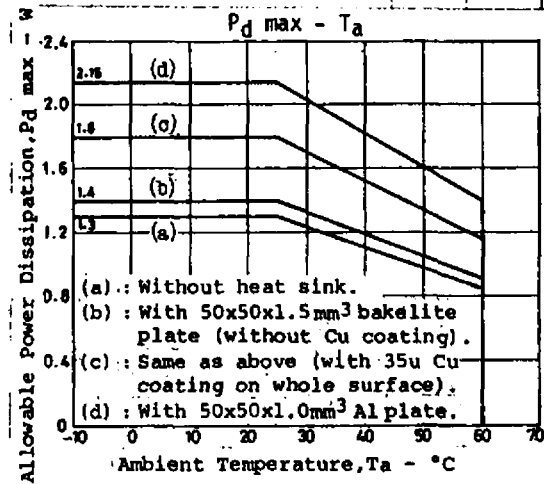
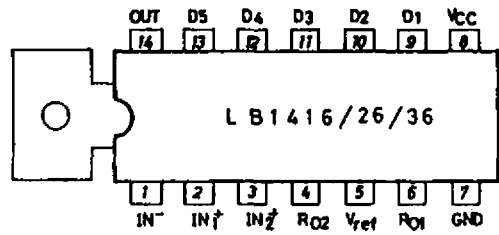
Specifications and information herein are subject to change without notice.

SANYO Electric Co., Ltd. Semiconductor Overseas Marketing Div.
15-13, 6-chome, Sotokanda, Chiyoda-ku, TOKYO 101, JAPAN

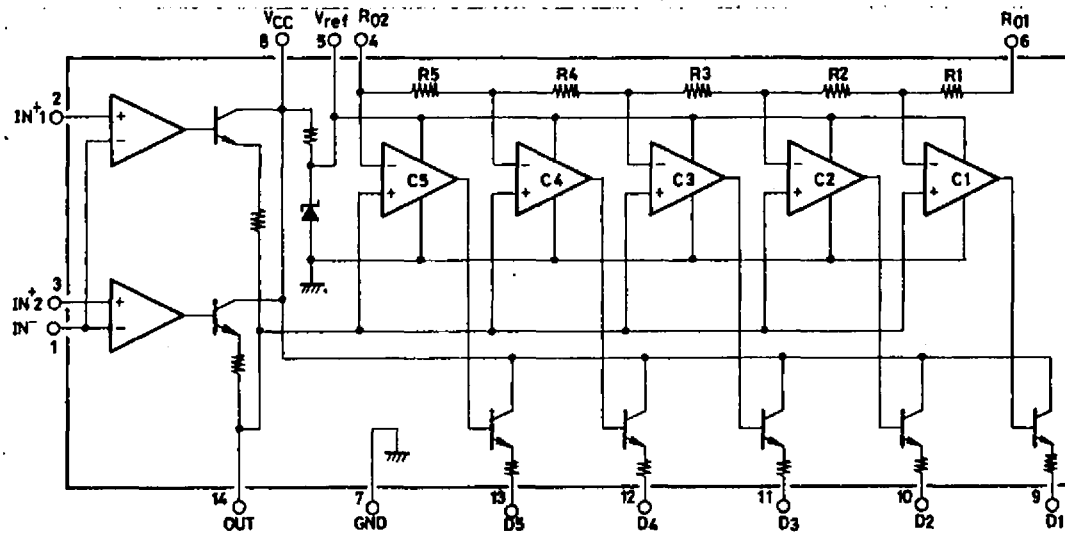
8297KI/8075MW/7071KI No.624-1/4

LB1416,1426,1436

Pin Assignment



Equivalent Circuit Block Diagram



Absolute Maximum Ratings at Ta=25°C	Pin No.	Conditions	unit
Maximum Supply Voltage VCCmax	8		-0.3 to +18 V
Input Voltage VIN	1,2,3		-0.3 to VCC V
Output Voltage VOUT	14		-0.3 to +8 V
VOUT(D)	9 to 13	VOUT(D) ≤ VCC at output (D1 to D5) OFF	-0.3 to +10 V
Reference Flow-out Current Iref	5		-1.0 to 0 mA
Allowable Power Dissipation Pdmax		Without heat sink	1.3 W
		With 50 x 50 x 1 mm ³ Al plate	2.15 W
Operating Temperature Topg			-10 to +60 °C
Storage Temperature Tstg			-40 to +125 °C

(Note)

- . A voltage of VCC + 0.3V or more must not be applied to the input and output pins.
- . For the details of allowable power dissipation, refer to the Pd - Ta characteristics.

Allowable Operating Conditions at Ta=25°C

Supply Voltage	Pin No.	Conditions	unit
VCC	8		+5 to +16 V
VIN1+2	2,3		-0.3 to VCC V
Output Pin Load Resistance RL OUT	14	Between OUT (pin14) and GND (pin7).	15k to 20k ohm

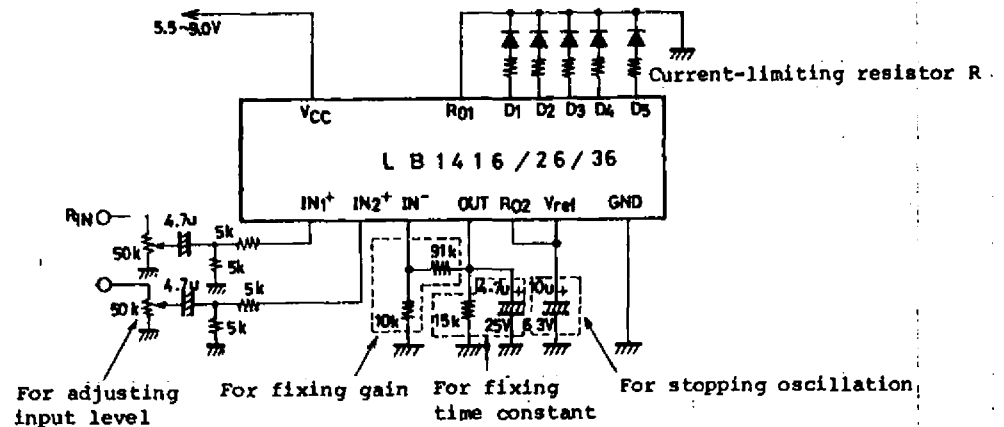
LB1416, 1426, 1436

Electrical Characteristics at $T_a=25^\circ\text{C}$, $V_{CC}=5$ to 16V

		Pin No.	Conditions	min	typ	max	unit
Input Bias Current (Amplifier)	$I_{DC}(IN^-)$	1	$V_{IN^-}=0\text{V}, V_{IN1^+}=V_{IN2^+}=1\text{V}$	-4		0	μA
	$I_{DC}(IN1^+)$	2	$V_{IN^-}=1\text{V}, V_{IN1^+}=V_{IN2^+}=0\text{V}$	-2		0	μA
	$I_{DC}(IN2^+)$	3	$V_{IN^-}=1\text{V}, V_{IN1^+}=V_{IN2^+}=0\text{V}$	-2		0	μA
Input Bias Current (Comparator)	$I_{DC}(-C)$	4,6	$V_{IN^-}=0\text{V}, V_{IN1^+}=V_{IN2^+}=1\text{V}, V_{RO1}=V_{RO2}=0\text{V}$	-5		0	μA
	$I_{DC}(+C)$	14	$V_{IN^-}=1\text{V}, V_{IN1^+}=V_{IN2^+}=0\text{V}, V_{OUT}=0\text{V}, V_{RO1}=V_{RO2}=V_{ref}$	-5		0	μA
Amplifier Offset Voltage (Amplifier)	$V_{OFF}(1)$	14	$V_{CC}=6$ to 12V , amp gain= 20dB	-150		+150	mV
	$V_{OFF}(2)$	14	$V_{CC}=6$ to 12V , amp gain= 20dB	-150		+150	mV
Reference Voltage	V_{ref}	5	$I_{ref}=0$ to -0.3mA	2.6		3.0	V
Pin D Output Current	$I_{OL}(D)$	9 to 13	$V_{IN^-}=0\text{V}, V_{IN1^+}=V_{IN2^+}=1\text{V}, V_{D1}$ to $5=2.0$ to 2.3V	-25	-18	-10	mA
Pin D Output Leak Current	$I_{OFF}(D)$	9 to 13	$V_{IN^-}=1\text{V}, V_{IN1^+}=V_{IN2^+}=0\text{V}, V_{D1}$ to $5=0\text{V}$	-50		0	μA
Output Pin Output Flow-out Current	$I_{OH}(1)$	14	$V_{IN^-}=1\text{V}, V_{IN1^+}=V_{CC}, V_{IN2^+}=0\text{V}, V_{OUT}=0\text{V}$			-3	mA
	$I_{OH}(2)$	14	$V_{IN^-}=1\text{V}, V_{IN1^+}=0\text{V}, V_{IN2^+}=V_{CC}, V_{OUT}=0\text{V}$			-3	mA
Current Dissipation	I_{CC}	8	$V_{IN^-}=1\text{V}, V_{IN1^+}=V_{IN2^+}=0\text{V}$		12	25	mA
Amplifier Gain	V_{G1}		Open loop	30			dB
	V_{G2}		Open loop	30			dB

Sample Application Circuit

1. VU meter (Using one IC)



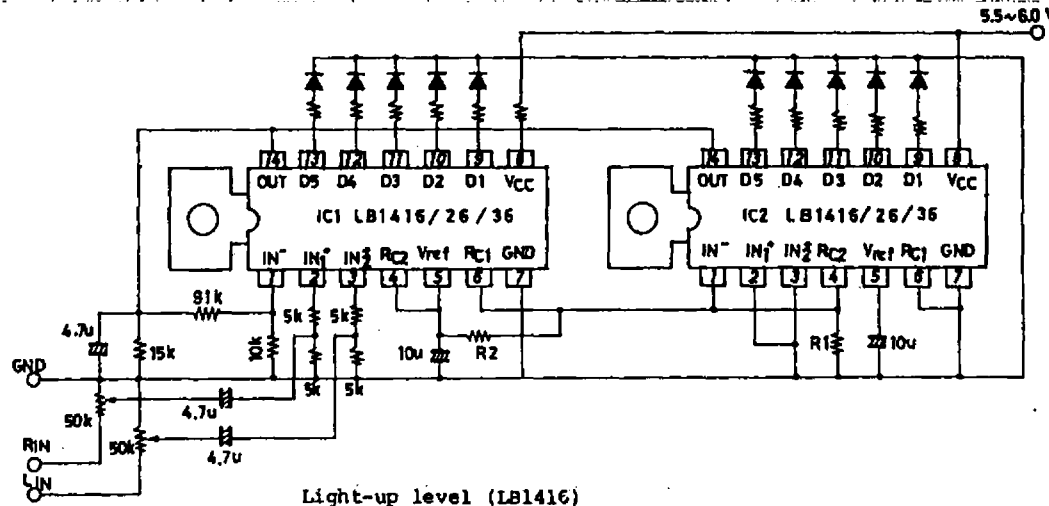
$R=0\text{ohm}$: LED current 18mA typ. (Green LED)

$R=150\text{ohms}$: LED current 6mA typ. (Red LED)

(Note) Use a heat sink so that $P_{dmax.}$ is not exceeded.

LB1416,1426,1436

2. VU meter (Using two IC's)



Light-up level (LB1416)

R1	R2	LED No.	D1	D2	D3	D4	D5	D6	D7	D8	D9	D10
3.3k	3.3k	dB	-18	-13	-8	-5	-2	-1	0	1.5	2.5	4
2.2k	3.9k	(typ.)	-19	-14	-9	-6	-3	-1.5	0	2	3	5

The variation in the resistance ratio of R1, R2 is desirable to be within $\pm 10\%$.

Information furnished by SANYO is believed to be accurate and reliable. However, no responsibility is assumed by SANYO for its use; nor for any infringements of patents or other rights of third parties which may result from its use, and no license is granted by implication or otherwise under any patent or patent rights of SANYO.