



SANYO Semiconductors

DATA SHEET

An ON Semiconductor Company

Monolithic Digital IC

LB11862MC — Single-Phase Full-Wave Fan Motor Driver

Overview

The LB11862MC is a single-phase bipolar drive motor driver that easily implements direct PWM motor drive systems with excellent efficiency. The LB11862MC is optimal for fan motor drive in personal computer power supply systems and CPU cooling fan systems.

Features

- Single-phase full-wave drive
- Built-in thermal shutdown circuit.
- Built-in lock protection and automatic recovery circuits

Specifications

Absolute Maximum Ratings at Ta = 25°C

Parameter	Symbol	Conditions	Ratings	Unit
Supply voltage	V _{CC} max		17	V
Output current	I _{OUT} max		0.8	A
Output withstand voltage	V _{OUT} max		17	V
Output withstand voltage on RD output pin	V _R max		17	V
RD output current	I _R max		5	mA
HB output current	I _B max		10	mA
Input voltage ST pin	V _{ST} max		15	V
Allowable power dissipation	P _d max	When mounted on a circuit board *1	0.75	W
Operating temperature	T _{opr}		-40 to +85	°C
Storage temperature	T _{stg}		-55 to +150	°C

*1 Specified circuit board : 114.3 × 76.1 × 1.6mm³, glass epoxy.

Caution 1) Absolute maximum ratings represent the value which cannot be exceeded for any length of time.

Caution 2) Even when the device is used within the range of absolute maximum ratings, as a result of continuous usage under high temperature, high current, high voltage, or drastic temperature change, the reliability of the IC may be degraded. Please contact us for the further details.

■ Any and all SANYO Semiconductor Co.,Ltd. products described or contained herein are, with regard to "standard application", intended for the use as general electronics equipment. The products mentioned herein shall not be intended for use for any "special application" (medical equipment whose purpose is to sustain life, aerospace instrument, nuclear control device, burning appliances, transportation machine, traffic signal system, safety equipment etc.) that shall require extremely high level of reliability and can directly threaten human lives in case of failure or malfunction of the product or may cause harm to human bodies, nor shall they grant any guarantee thereof. If you should intend to use our products for new introduction or other application different from current conditions on the usage of automotive device, communication device, office equipment, industrial equipment etc. , please consult with us about usage condition (temperature, operation time etc.) prior to the intended use. If there is no consultation or inquiry before the intended use, our customer shall be solely responsible for the use.

■ Specifications of any and all SANYO Semiconductor Co.,Ltd. products described or contained herein stipulate the performance, characteristics, and functions of the described products in the independent state, and are not guarantees of the performance, characteristics, and functions of the described products as mounted in the customer's products or equipment. To verify symptoms and states that cannot be evaluated in an independent device, the customer should always evaluate and test devices mounted in the customer's products or equipment.

SANYO Semiconductor Co., Ltd.

<http://semicon.sanyo.com/en/network>

LB11862MC

Recommended Operating Conditions at Ta = 25°C

Parameter	Symbol	Conditions	Ratings	Unit
Supply voltage	V _{CC}		3.8 to 16.8	V
ST input High-level voltage	V _{STH}		3 to 14	V
ST input Low-level voltage	V _{STL}		-0.3 to 0.4	V
Hall input common-mode input voltage range	V _{ICM}		0.2 to V _{CC} -1.5	V

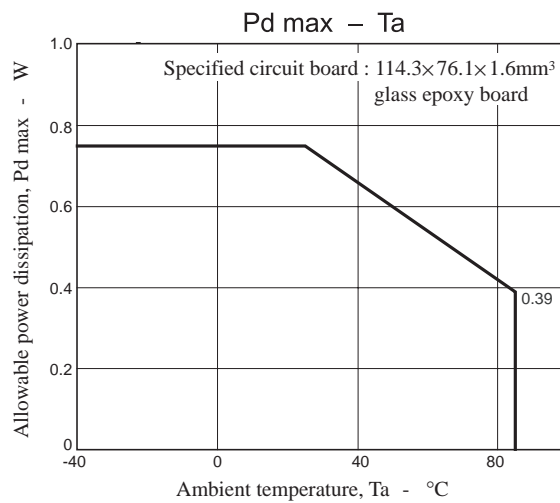
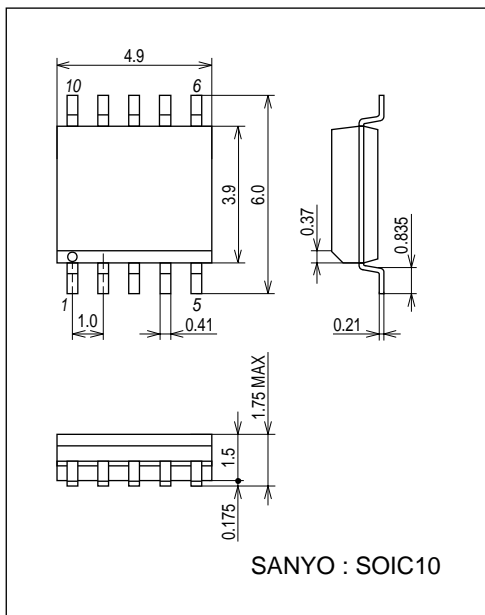
Electrical Characteristics Unless otherwise specified Ta = 25°C, V_{CC} = 5V

Parameter	Symbol	Conditions	Ratings			Unit
			min	typ	max	
Circuit current	I _{CC1}	Operation mode (CT=L, ST=L)		12	17	mA
	I _{CC2}	Lock protection mode (CT=H, ST=L)		2.5	4.0	mA
	I _{CC2}	Standby mode (ST=H)		110	150	μA
Lock detection capacitor charging current	I _{CT1}	V _{CT} = 0.2V	1.5	2.1	3.0	μA
Capacitor discharging current	I _{CT2}	V _{CT} = 3.0V	0.21	0.35	0.50	μA
Capacitor charging / discharging current ratio	R _{CT}	R _{CD} = I _{CT1} /I _{CT2}	5.0	6.0	8.0	
CT charging voltage	V _{CT1}		2.55	2.75	2.95	V
CT discharging voltage	V _{CT2}		1.6	1.8	2.0	V
Output Low-level voltage	V _{OL}	I _O = 200mA		0.2	0.3	V
Output High-level voltage	V _{OH}	I _O = 200mA	3.9	4.1		V
Hall input sensitivity	V _{HN}	Zero peak value (including offset hysteresis)		7	15	mA
RD output pin Low-level voltage	V _{RD_L}	I _{RD} = 5mA		0.1	0.3	V
RD output pin leakage current	I _{RD_L}	V _{RD} = 15V			30	μA
HB output Low-level voltage	V _{HBL}	I _{HB} = 5mA		1.0	1.3	V
ST pin input current	I _{ST}	V _{ST} = 5V		75	100	μA

Package Dimensions

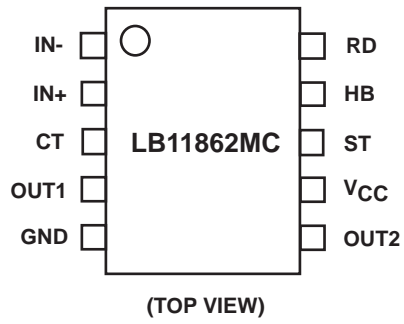
unit : mm (typ)

3426A



LB11862MC

Pin Assignment

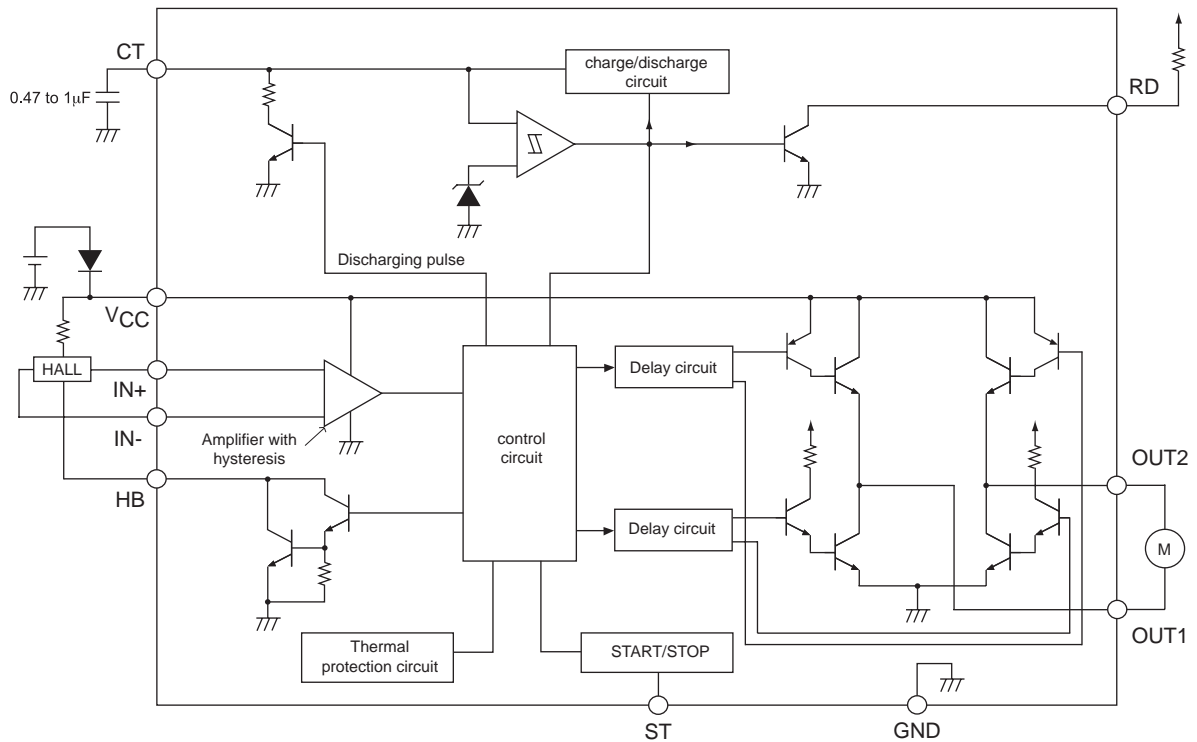


Truth Table

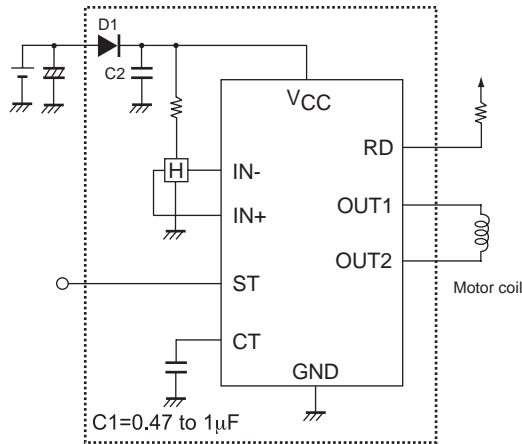
ST	IN-	IN+	CT	OUT1	OUT2	RD	HB	Mode
High	-	-	-	OFF	OFF	OFF	OFF	Standby
Low	High	Low	Low	High	Low	Low	Low	Operating
	Low	High		Low	High			
			High	OFF	OFF	OFF	Low	Lock protection

(The RD output is latched at "Low"-level in operating mode and "High"-level in stop mode.)

Block Diagram



Application Circuit Example



1. D1 is for protection against breakdown in case of reverse connection of power supply and mat is deleted when there is no problem.
2. C2 is necessary to allow the kick-back regenerative current to flow when C2 is to be used with the coil current of 500mA or more.
3. CT to be connected to GND when not used.
4. RD, ST and HB pins to be OPEN when not used.

- SANYO Semiconductor Co.,Ltd. assumes no responsibility for equipment failures that result from using products at values that exceed, even momentarily, rated values (such as maximum ratings, operating condition ranges, or other parameters) listed in products specifications of any and all SANYO Semiconductor Co.,Ltd. products described or contained herein.
- SANYO Semiconductor Co.,Ltd. strives to supply high-quality high-reliability products, however, any and all semiconductor products fail or malfunction with some probability. It is possible that these probabilistic failures or malfunction could give rise to accidents or events that could endanger human lives, trouble that could give rise to smoke or fire, or accidents that could cause damage to other property. When designing equipment, adopt safety measures so that these kinds of accidents or events cannot occur. Such measures include but are not limited to protective circuits and error prevention circuits for safe design, redundant design, and structural design.
- In the event that any or all SANYO Semiconductor Co.,Ltd. products described or contained herein are controlled under any of applicable local export control laws and regulations, such products may require the export license from the authorities concerned in accordance with the above law.
- No part of this publication may be reproduced or transmitted in any form or by any means, electronic or mechanical, including photocopying and recording, or any information storage or retrieval system, or otherwise, without the prior written consent of SANYO Semiconductor Co.,Ltd.
- Any and all information described or contained herein are subject to change without notice due to product/technology improvement, etc. When designing equipment, refer to the "Delivery Specification" for the SANYO Semiconductor Co.,Ltd. product that you intend to use.
- Information (including circuit diagrams and circuit parameters) herein is for example only; it is not guaranteed for volume production.
- Upon using the technical information or products described herein, neither warranty nor license shall be granted with regard to intellectual property rights or any other rights of SANYO Semiconductor Co.,Ltd. or any third party. SANYO Semiconductor Co.,Ltd. shall not be liable for any claim or suits with regard to a third party's intellectual property rights which has resulted from the use of the technical information and products mentioned above.

This catalog provides information as of Jun, 2012. Specifications and information herein are subject to change without notice.