



LA7976

PAL SIF Converter Circuit for TV and VCR Multi-system

Overview

The LA7976 is an IC that converts PAL SIF signals (5.5 MHz, 6 MHz, and 6.5 MHz) to 6 MHz.

Functions

- Mixer, amplifier, oscillator, oscillator mute

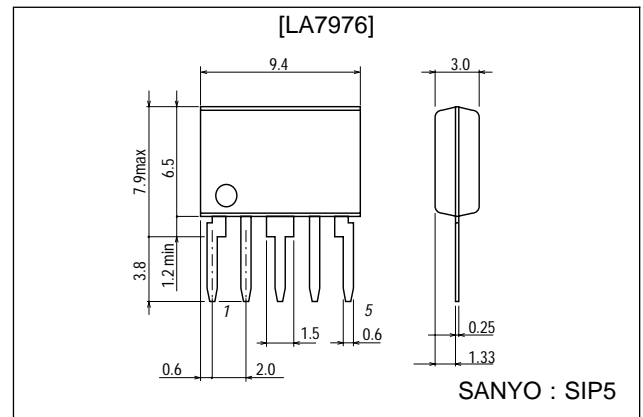
Features

- Small SIP-5 package
- Wide range of usage voltage (5 V to 12 V)

Package Dimensions

unit : mm

3042C-SIP5



Specifications

Maximum Ratings at $T_a = 25^\circ\text{C}$

Parameter	Symbol	Conditions	Ratings	Unit
Maximum supply voltage	V_{CC} max		13.2	V
Maximum feed current	I_5 max		3	mA
	I_4 max		1	mA
Allowable power dissipation	P_d max	$T_a \leq 85^\circ\text{C}$	200	mW
Operating temperature	T_{opr}		-20 to +85	$^\circ\text{C}$
Storage temperature	T_{stg}		-40 to +150	$^\circ\text{C}$

Operating Conditions at $T_a = 25^\circ\text{C}$

Parameter	Symbol	Conditions	Ratings	Unit
Recommended supply voltage	V_{CC}		9	V
Operating voltage range	V_{CC} op		4.5 to 12	V

■ Any and all SANYO products described or contained herein do not have specifications that can handle applications that require extremely high levels of reliability, such as life-support systems, aircraft's control systems, or other applications whose failure can be reasonably expected to result in serious physical and/or material damage. Consult with your SANYO representative nearest you before using any SANYO products described or contained herein in such applications.

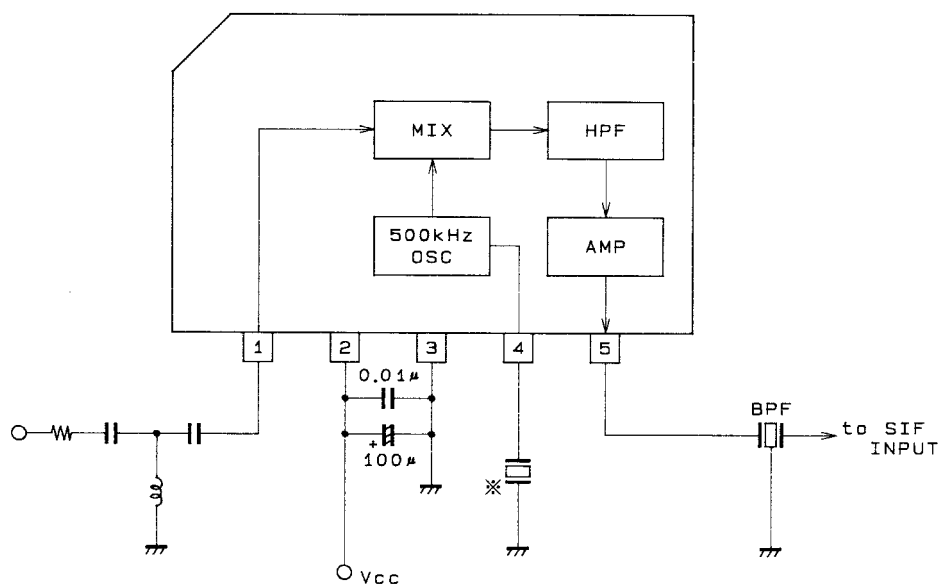
■ SANYO assumes no responsibility for equipment failures that result from using products at values that exceed, even momentarily, rated values (such as maximum ratings, operating condition ranges, or other parameters) listed in products specifications of any and all SANYO products described or contained herein.

LA7976

Operating Characteristics at $T_a = 25^\circ\text{C}$, $V_{CC} = 9\text{ V}$

Parameter	Symbol	Conditions	Test point	min	typ	max	Unit	
Current drain	I_{CC}		Pin 2	5	6.5	9	mA	
Conversion gain	5.5 MHz	G5.5	80 dB/ μV input	Pin 5	10	13.5	17	dB
	6.5 MHz	G6.5	80 dB/ μV input	Pin 5	10	13.5	17	dB
	6.0 MHz	G6.0	80 dB/ μV input, Pin 4 grounded with 10 k Ω	Pin 5	10	13.5	17	dB
Oscillation level	V_{OSC}		Pin 4	15	48	80	mVp-p	
Maximum output level	V_O max	5.5 MHz 100 dB/ μV input	Pin 5	104	108	112	dB/ μV	
Input impedance	R_i	5.5 MHz input			4.8		k Ω	
Pin voltages	V1		Pin 1	2.6	3	3.4	V	
	V4		Pin 4	7.3	7.7	8.1	V	
	V5		Pin 5	7.2	7.6	8	V	
500 kHz level difference relative to 6 MHz	OSC leak		Pin 5	30	40		dB	
Maximum input level	V_{IN} max			85			dB/ μV	

Sample Application Circuit

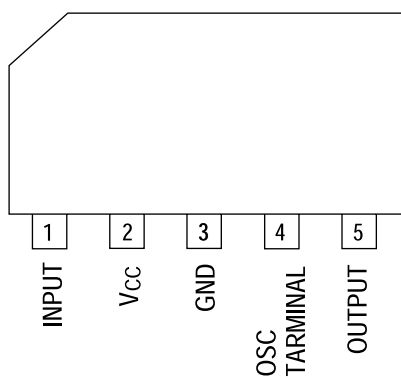


A00670

Unit (resistance: Ω , capacitance: F)

※ Oscillator
 500 kHz CSB503E5 Murata Industries, Ltd.
 500 kHz EFOA512K04A Matsushita Electric, Ltd.

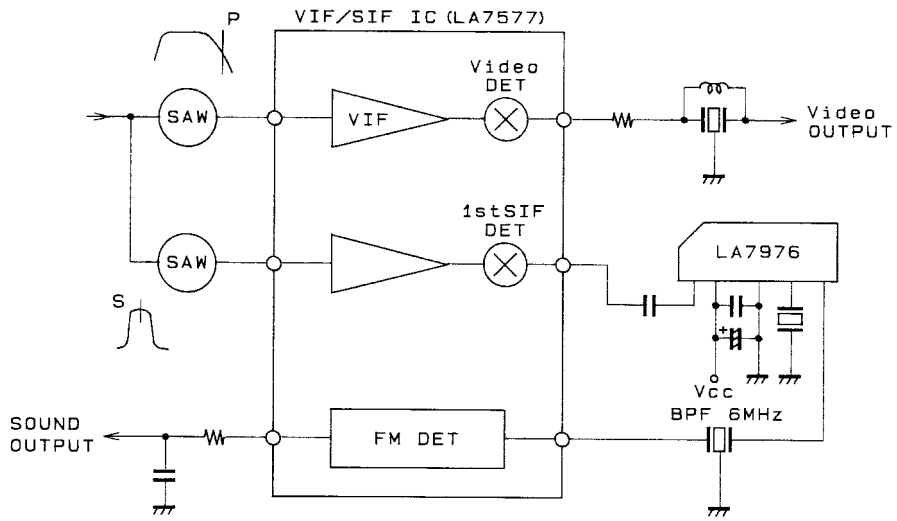
Pin Assignment



A06513

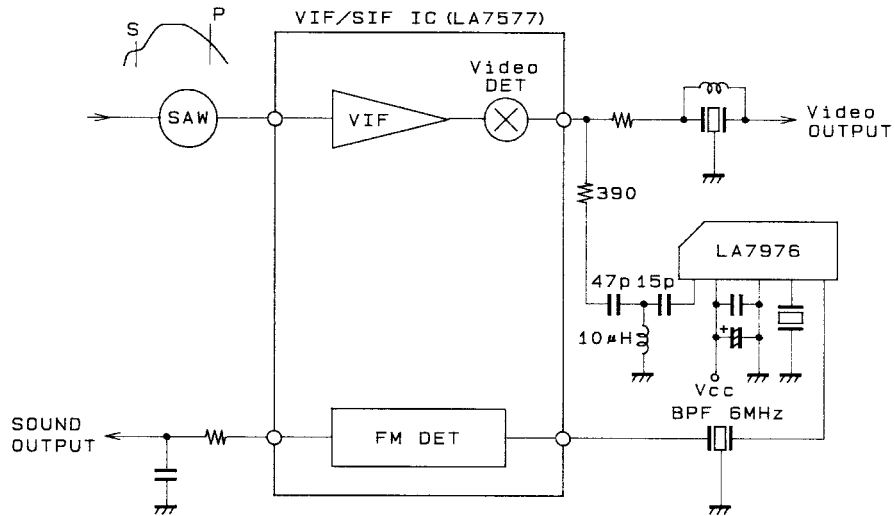
LA7976

Reference Example 1



A00671

Reference Example 2



Unit (resistance: Ω , capacitance: F)

A00672

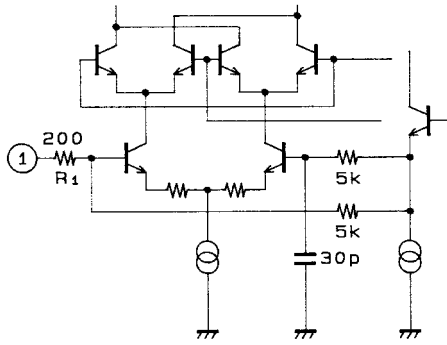
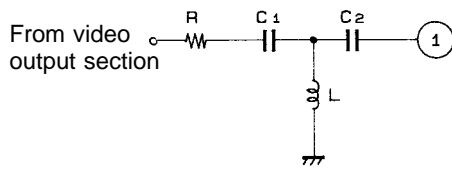


Figure 1 A00673

Unit (resistance: Ω, capacitance: F)

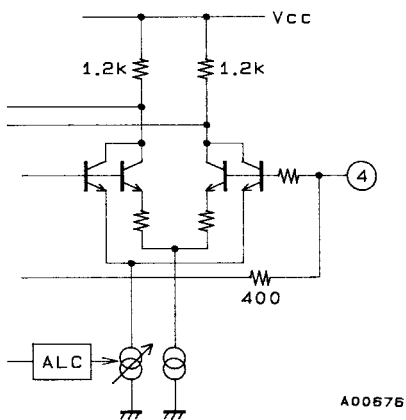
- Pin 1 is the SIF input pin.
The filter in Figure 2 can be connected to the input section to improve the buzz characteristic.
If C1 is too small, the buzz characteristic improves for normal input, but the filter cuts into the sound carrier and the buzz characteristic deteriorates for the P/S (picture/sound carrier) ratio.



A00674

Figure 2

Use $C1 \approx 20 \text{ pF}$ to 47 pF .



A00676

Figure 3 Unit (resistance: Ω)

- Pin 4 is the ceramic oscillator pin.
To make the oscillation waveform approach a sine wave, the oscillation level is controlled internally.
Oscillation levels of 15 to 80 mVp-p at Pin 4 give the waveform shown in Figure 4.

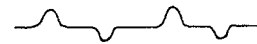
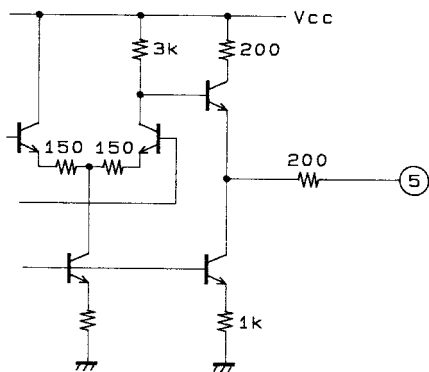


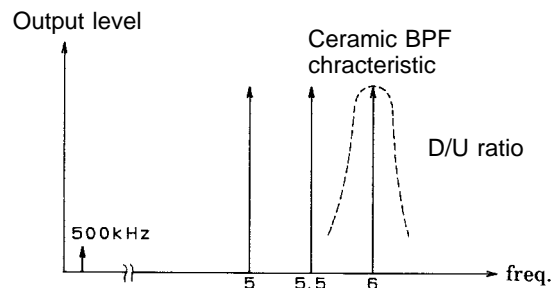
Figure 4 (Pin 4 oscillation waveform)



A00679

Figure 5 Unit (resistance: Ω)

- Pin 5 is the output pin. The output from Pin 5 is input to the SIF via a 6 MHz bandpass filter (BPF).
When 5.5 MHz is input to Pin 1, the spectrum shown in Figure 6 is obtained at Pin 5.



A00680

Figure 6 (5.5 MHz input)

- Specifications of any and all SANYO products described or contained herein stipulate the performance, characteristics, and functions of the described products in the independent state, and are not guarantees of the performance, characteristics, and functions of the described products as mounted in the customer's products or equipment. To verify symptoms and states that cannot be evaluated in an independent device, the customer should always evaluate and test devices mounted in the customer's products or equipment.
- SANYO Electric Co., Ltd. strives to supply high-quality high-reliability products. However, any and all semiconductor products fail with some probability. It is possible that these probabilistic failures could give rise to accidents or events that could endanger human lives, that could give rise to smoke or fire, or that could cause damage to other property. When designing equipment, adopt safety measures so that these kinds of accidents or events cannot occur. Such measures include but are not limited to protective circuits and error prevention circuits for safe design, redundant design, and structural design.
- In the event that any or all SANYO products(including technical data, services) described or contained herein are controlled under any of applicable local export control laws and regulations, such products must not be exported without obtaining the export license from the authorities concerned in accordance with the above law.
- No part of this publication may be reproduced or transmitted in any form or by any means, electronic or mechanical, including photocopying and recording, or any information storage or retrieval system, or otherwise, without the prior written permission of SANYO Electric Co., Ltd.
- Any and all information described or contained herein are subject to change without notice due to product/technology improvement, etc. When designing equipment, refer to the "Delivery Specification" for the SANYO product that you intend to use.
- Information (including circuit diagrams and circuit parameters) herein is for example only ; it is not guaranteed for volume production. SANYO believes information herein is accurate and reliable, but no guarantees are made or implied regarding its use or any infringements of intellectual property rights or other rights of third parties.

This catalog provides information as of August, 1996. Specifications and information herein are subject to change without notice.