



# LA7951

## Video Switch for TV/VCR Use

### Overview

The LA7951 Video Switch is a solid-state 4-input 4-output video switch ideally suited for use as a video selector switch in multiple-source video systems and multiple VCR video editing systems.

The Switching logic, coupled with built-in video amplifier, ripple filter and 75Ω output driver facilitate a minimum parts count video switching subsystem. The solid-state switches feature low crosstalk and wide bandwidth. The LA7951 operates from a single 12V power supply, and is available in 14-pin plastic DIPs.

### Features

- 4-input 4-output multi-functional video switch.
- Low crosstalk, wide bandwidth.
- Internal 6 dB video amplifier.
- Ripple filter.
- 75Ω output driver for video monitor (COMMON OUT).

### Package Dimensions

unit:mm

3003B-DIP14

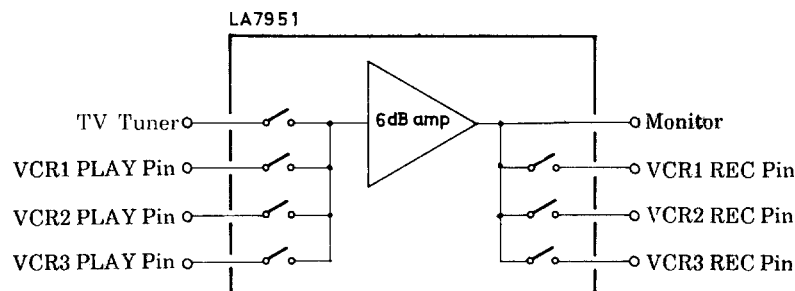
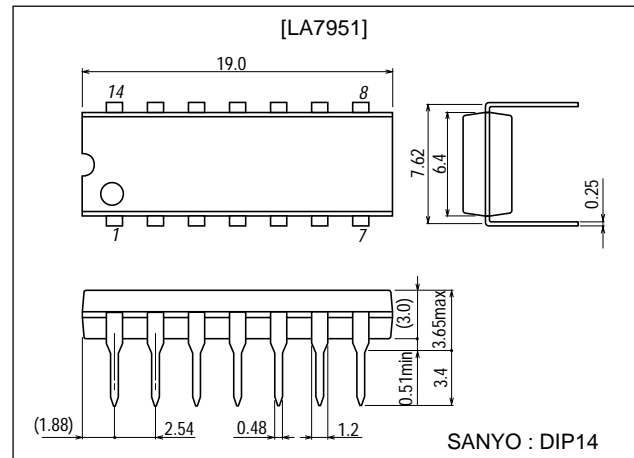


Figure 1. Editing System Switch Connections

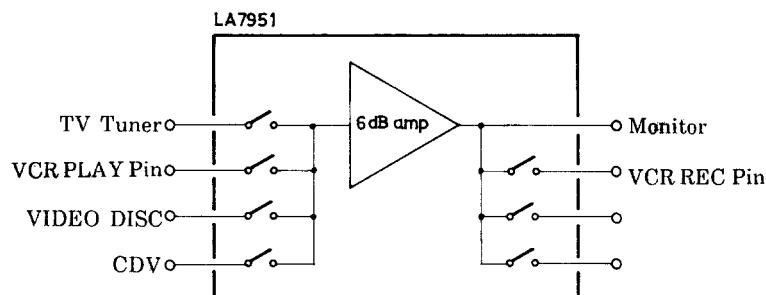


Figure 2. Video Selector Switch Connections

- Any and all SANYO products described or contained herein do not have specifications that can handle applications that require extremely high levels of reliability, such as life-support systems, aircraft's control systems, or other applications whose failure can be reasonably expected to result in serious physical and/or material damage. Consult with your SANYO representative nearest you before using any SANYO products described or contained herein in such applications.
- SANYO assumes no responsibility for equipment failures that result from using products at values that exceed, even momentarily, rated values (such as maximum ratings, operating condition ranges, or other parameters) listed in products specifications of any and all SANYO products described or contained herein.

**SANYO Electric Co., Ltd. Semiconductor Company**

TOKYO OFFICE Tokyo Bldg., 1-10, 1 Chome, Ueno, Taito-ku, TOKYO, 110-8534 JAPAN

12501TN (KT)/N050JK/8258YT, TS No.2868-1/4

## Specifications

### Maximum Ratings at Ta = 25°C

Parameter	Symbol	Conditions	Ratings	Unit
Maximum supply voltage	V <sub>4</sub> max		14	V
Maximum control input voltage	V <sub>6</sub> max, V <sub>9</sub> max, V <sub>13</sub> max		V <sub>CC</sub>	V
Maximum signal output current 1	I <sub>1</sub> max		-5	mA
Maximum signal output current 2	I <sub>7</sub> max, I <sub>8</sub> max, I <sub>14</sub> max		-20	mA
Allowable power dissipation	Pd max	Ta≤50°C	1.25	mW
Operating temperature	Topr		-20 to +75	°C
Storage temperature	Tstg		-55 to +125	°C

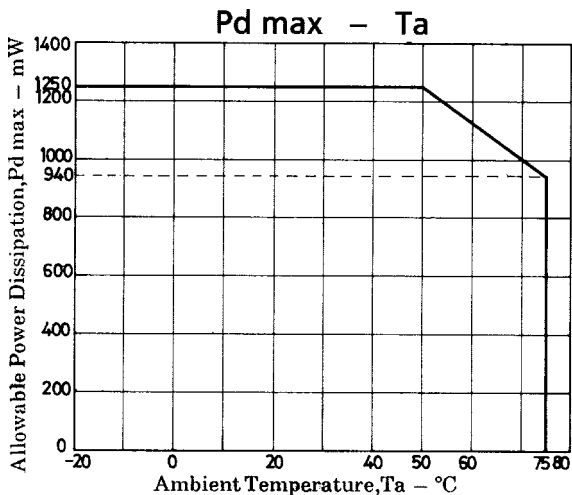
### Operating Conditions at Ta = 25°C

Parameter	Symbol	Conditions	Ratings	Unit
Recommended supply voltage	V <sub>CC</sub>		12	V
Operating voltage range	V <sub>CC</sub> op		9 to 13.2	V

### Operating Characteristics at Ta = 25°C, V<sub>CC</sub>=12V

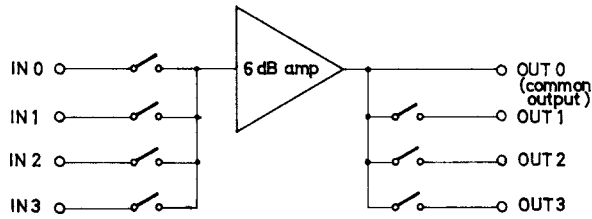
Parameter	Symbol	Conditions	Ratings			Unit
			min	typ	max	
Quiescent current drain	I <sub>CC</sub>	Pins 7, 8, 14 open, pins 6, 9, 13 to GND	20	27.5	37	mA
Input pin bias voltage	V <sub>3</sub> , V <sub>5</sub> , V <sub>10</sub> , V <sub>12</sub>		2.6	3.1	3.6	V
Output pin bias voltage 1	V <sub>1</sub>		4.6	5.3	6.0	V
Output pin bias voltage 2	V <sub>7</sub> , V <sub>8</sub> , V <sub>14</sub>		3.3	4.0	4.7	V
Control threshold voltage H1	V <sub>6H</sub>		2.3		V <sub>CC</sub>	V
Control threshold voltage H2	V <sub>9H</sub> , V <sub>13H</sub>		3.0		V <sub>CC</sub>	V
Control threshold voltage L1	V <sub>6L</sub>		0		0.8	V
Control threshold voltage L2	V <sub>9L</sub> , V <sub>13L</sub>		0		1.5	V
Control input current 1	I <sub>6</sub>	V <sub>6</sub> =5V		0.32	0.5	mA
Control input current 2	I <sub>9</sub> , I <sub>13</sub>	V <sub>9</sub> =V <sub>13</sub> =5V		0	-50	μA
Voltage gain 1	GV1	f=1MHz, V <sub>O</sub> =1Vp-p, See Note.	-0.5	+0.5	+1.5	dB
Voltage gain 2	GV2	f=1MHz, V <sub>O</sub> =1Vp-p, See Note.	-0.7	+0.3	+1.3	dB
Frequency characteristics	GVf	f=100kHz, V <sub>O</sub> =1Vp-p=0dB, f=10MHz, See Note.	-3	-1		dB
Output noise voltage	V <sub>N</sub>	BPF=10kHz to 4.2MHz, See Note.		0.5	1.0	mVrms
Output dynamic range 1	DR1	f=10kHz, V <sub>O</sub> =1.5Vp-p, See Note.		0.5	1.2	%
Output dynamic range 2	DR2	f=10kHz, V <sub>O</sub> =1.5Vp-p, See Note.		1.0	2.0	%
Crosstalk 1	CT1	f=4MHz, V <sub>O</sub> =1Vp-p, See Note.	-50	-55		dB
Crosstalk 2	CT2	f=4MHz, V <sub>O</sub> =1Vp-p, See Note.	-20	-40		dB

Note ) Measured output terminated with 75Ω. Current flowing into IC is taken as plus (+). Parameter 1 refers to the COMMON OUT signal output and parameter 2 to the OUT1 to OUT3 signal outputs.



# LA7951

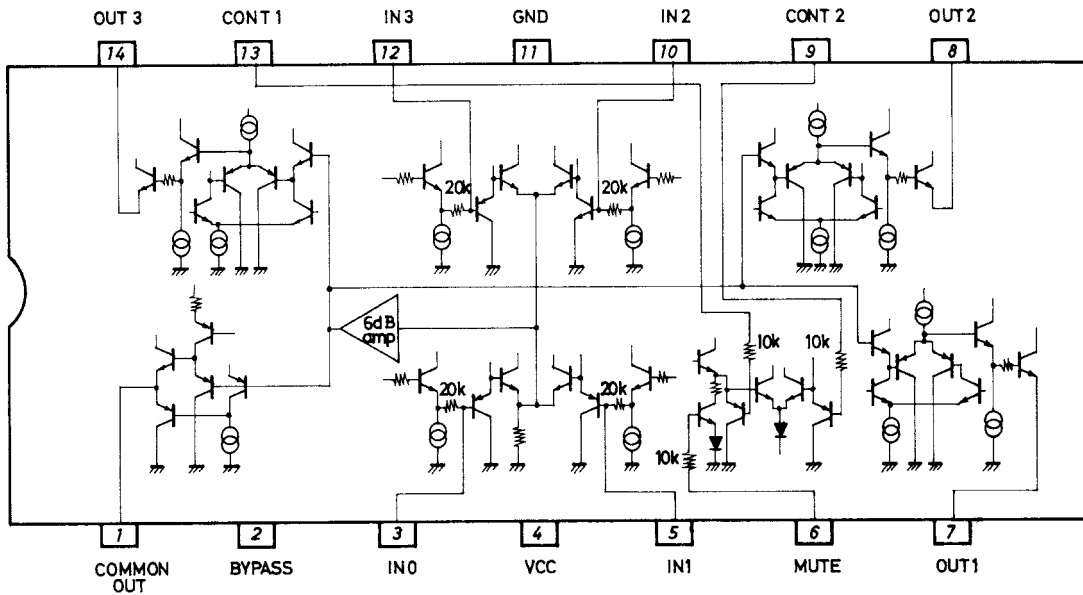
## Video Switch Block Diagram



## Switching Functions

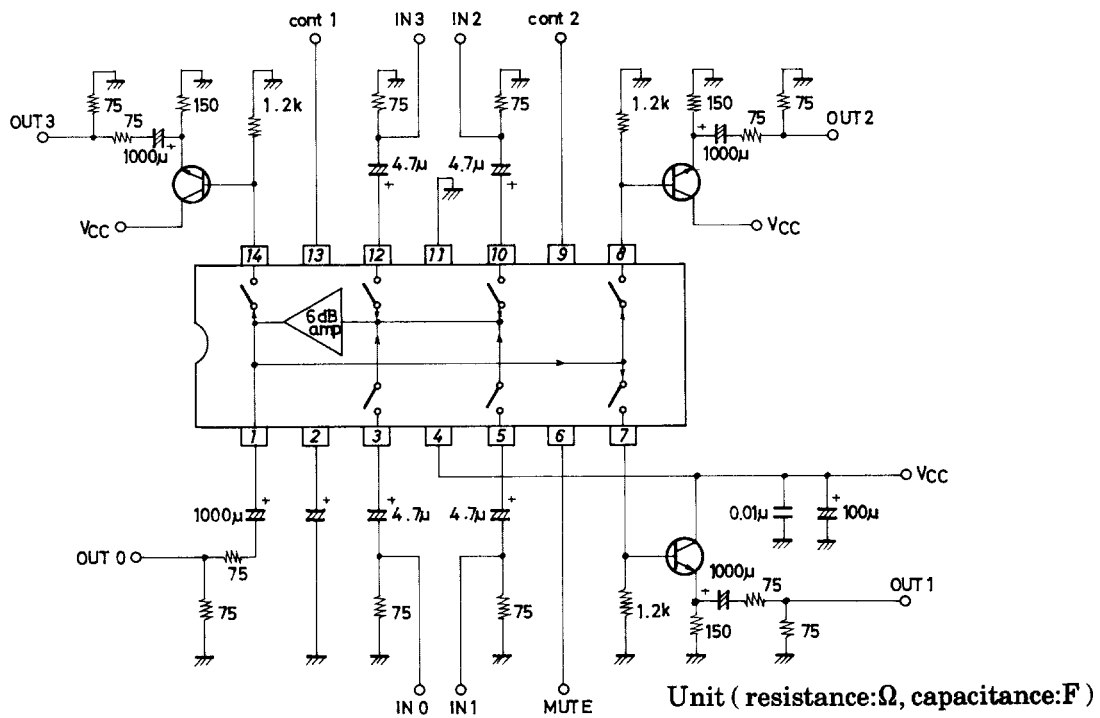
Control			Input				Output			
MUTE (Pin 6)	1 (Pin 13)	2 (Pin 9)	0 (Pin 3)	1 (Pin 5)	2 (Pin 10)	3 (Pin 12)	COMMON (Pin 1)	1 (Pin 7)	2 (Pin 8)	3 (Pin 14)
L	-	-	OFF	OFF	OFF	OFF	ON	OFF	OFF	OFF
H	L	L	ON	OFF	OFF	OFF	ON	ON	ON	ON
H	L	H	OFF	ON	OFF	OFF	ON	OFF	ON	ON
H	H	L	OFF	OFF	ON	OFF	ON	ON	OFF	ON
H	H	H	OFF	OFF	OFF	ON	ON	ON	ON	OFF

## Equivalent Circuit Block Diagram



Unit ( resistance:Ω )

Sample Applicationn Circuit



The power supply decoupling capacitor should be mounted as close to the LA7951 as physically possible.

- Specifications of any and all SANYO products described or contained herein stipulate the performance, characteristics, and functions of the described products in the independent state, and are not guarantees of the performance, characteristics, and functions of the described products as mounted in the customer's products or equipment. To verify symptoms and states that cannot be evaluated in an independent device, the customer should always evaluate and test devices mounted in the customer's products or equipment.
- SANYO Electric Co., Ltd. strives to supply high-quality high-reliability products. However, any and all semiconductor products fail with some probability. It is possible that these probabilistic failures could give rise to accidents or events that could endanger human lives, that could give rise to smoke or fire, or that could cause damage to other property. When designing equipment, adopt safety measures so that these kinds of accidents or events cannot occur. Such measures include but are not limited to protective circuits and error prevention circuits for safe design, redundant design, and structural design.
- In the event that any or all SANYO products(including technical data, services) described or contained herein are controlled under any of applicable local export control laws and regulations, such products must not be exported without obtaining the export license from the authorities concerned in accordance with the above law.
- No part of this publication may be reproduced or transmitted in any form or by any means, electronic or mechanical, including photocopying and recording, or any information storage or retrieval system, or otherwise, without the prior written permission of SANYO Electric Co., Ltd.
- Any and all information described or contained herein are subject to change without notice due to product/technology improvement, etc. When designing equipment, refer to the "Delivery Specification" for the SANYO product that you intend to use.
- Information (including circuit diagrams and circuit parameters) herein is for example only ; it is not guaranteed for volume production. SANYO believes information herein is accurate and reliable, but no guarantees are made or implied regarding its use or any infringements of intellectual property rights or other rights of third parties.

This catalog provides information as of January, 2001. Specifications and information herein are subject to change without notice.