



# LA7530N

## IF Signal Processing (VIF+SIF) Circuit for TV / VCR Use

### Overview

The LA7530N is an IC containing the VIF section and SIF section on a single chip in the DIP20 package. The use of the small-sized package serves to make VCR tuner units smaller.

As compared with the LA7530, the LA7530N is provided with 2 pins for IF AGC, permitting higher AGC speed. The LA7530N can substitute for the LA7530, but the LA7530 cannot substitute for the LA7530N. For 9V supply, use the LA7533.

### Functions

- VIF section : VIF AMP, VIDEO DET, PEAK IF AGC, B/W NOISE CANCELLER, RF AGC, AFT, VIDEO MUTE.
- SIF section : SIF LIMITER AMP, FM DET, SND MUTE.

### Features

- High-gain VIF amplifier requiring no preamplifier.
- Higher AGC speed.
- Adjustment-free FM detector because of ceramic discriminator-used quadrature detection.
- Possible to mute video, sound for VCR.
- Small-sized package.
- Minimum number of external parts required.

### Specifications

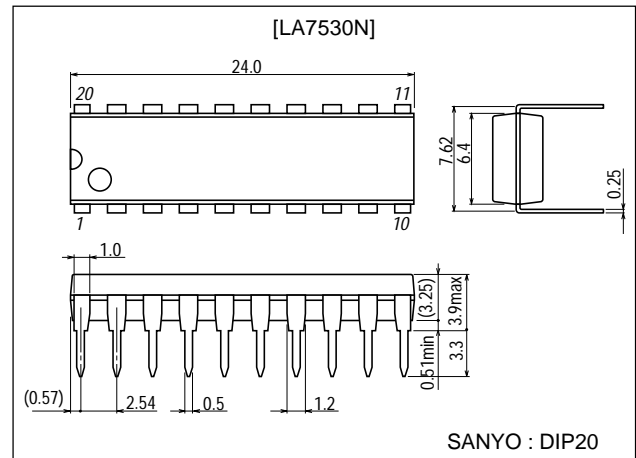
Maximum Ratings at  $T_a = 25^\circ\text{C}$

Parameter	Symbol	Conditions	Ratings	Unit
Maximum supply voltage	$V_{CC}$ max		14	V
Flow-out current	$I_{16}$ max		5	mA
Maximum applied voltage	$V_{20}$ max		$V_{CC}$	V
Allowable power dissipation	$P_d$ max	$T_a \leq 40^\circ\text{C}$	1.1	W
Operating temperature	$T_{opr}$		-20 to +70	$^\circ\text{C}$
Storage temperature	$T_{stg}$		-55 to +125	$^\circ\text{C}$

### Package Dimensions

unit:mm

3021C-DIP20



■ Any and all SANYO products described or contained herein do not have specifications that can handle applications that require extremely high levels of reliability, such as life-support systems, aircraft's control systems, or other applications whose failure can be reasonably expected to result in serious physical and/or material damage. Consult with your SANYO representative nearest you before using any SANYO products described or contained herein in such applications.

■ SANYO assumes no responsibility for equipment failures that result from using products at values that exceed, even momentarily, rated values (such as maximum ratings, operating condition ranges, or other parameters) listed in products specifications of any and all SANYO products described or contained herein.

**SANYO Electric Co., Ltd. Semiconductor Company**

TOKYO OFFICE Tokyo Bldg., 1-10, 1 Chome, Ueno, Taito-ku, TOKYO, 110-8534 JAPAN

# LA7530N

## Operating Conditions at Ta = 25°C

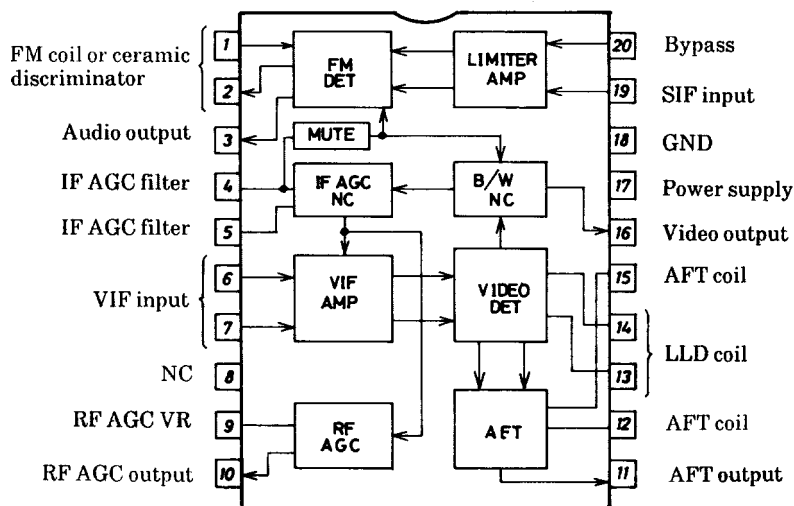
Parameter	Symbol	Conditions	Ratings	Unit
Recommended supply voltage	V <sub>CC</sub>		12	V
Operating voltage range	V <sub>CC</sub> op		9 to 13.2	V

## Operating Characteristics at Ta = 25°C, V<sub>CC</sub>=12V, f<sub>p</sub>=58.75MHz, f<sub>s</sub>=54.25MHz (VIF), fo=4.5MHz (SIF)

Parameter	Symbol	Conditions	Ratings			Unit
			min	typ	max	
Total circuit current	I <sub>17</sub>	DC	47	58	74	mA
Maximum RF AGC voltage	V <sub>10H</sub>	DC	8.5	8.9	9.2	V
Minimum RF AGC voltage	V <sub>10L</sub>	DC			0.5	V
Quiescent video output voltage	V <sub>16</sub>	DC	5.7	6.1	6.5	V
Quiescent AFT output voltage	V <sub>11</sub>	DC	4.5	6.5	7.5	V
Input sensitivity	V <sub>i</sub>	fm=400Hz, 40%AM, V <sub>O</sub> =0.8Vp-p	30	36	42	dBμ
AGC range	GR	fm=400Hz, 40%AM, V <sub>O</sub> =0.8Vp-p	57	65		dB
Maximum allowable input	V <sub>i</sub> max	fm=15kHz, 78%AM, V <sub>O</sub> =±1dB	100	200		mVrms
Video output amplitude	V <sub>O</sub> (VIDEO)	V <sub>i</sub> =10mVrms, fm=15kHz, 78%AM	1.9	2.2	2.5	Vp-p
Output S/N	S/N	V <sub>i</sub> =10mVrms CW	48	54		dB
Carrier leakage	CL	V <sub>i</sub> =100mVrms, fm=15kHz, 78%AM	50	55		dB
Maximum AFT voltage	V <sub>11H</sub>	V <sub>i</sub> =10mVrms CW SWEEP	11	11.4		V
Minimum AFT voltage	V <sub>11L</sub>	V <sub>i</sub> =10mVrms CW SWEEP		0.5	1.0	V
AFT detection sensitivity	S <sub>f</sub>	V <sub>i</sub> =10mVrms CW SWEEP	80	110	150	mV/kHz
White noise threshold level	V <sub>WTH</sub>	V <sub>i</sub> =10mVrms SWEEP	6.4	6.8	7.2	V
White noise clamp level	V <sub>WCL</sub>	V <sub>i</sub> =10mVrms SWEEP	4.2	4.6	5.0	V
Black noise threshold level	V <sub>BTH</sub>	V <sub>i</sub> =10mVrms SWEEP	2.1	2.4	2.7	V
Black noise clamp level	V <sub>BCL</sub>	V <sub>i</sub> =10mVrms SWEEP	3.8	4.2	4.6	V
SIF output signal voltage	V <sub>O</sub> (SIF)	P/S=20dB	80	140	210	mVrms
Frequency characteristic	f <sub>C</sub>	-3dB	5	7		MHz
Differential gain	DG	V <sub>i</sub> =-27dBm (peak) 87.5% VIDEOMOD		3		%
Differential phase	DP	V <sub>i</sub> =-27dBm (peak) 87.5% VIDEOMOD		3		deg
Input resistance	R <sub>i</sub>		1.0	1.5	2.0	kΩ
Input capacitance	C <sub>i</sub>			3.0	6.0	pF
SIF limiting voltage	V <sub>i</sub> (lim)	-3dB		200	500	μVrms
Detection output voltage	V <sub>O</sub> (DET)	V <sub>i</sub> =100mVrms, fm=400Hz, Δf=±25kHz	450	680	850	mVrms
Total harmonic distortion	THD(DET)	V <sub>i</sub> =100mVrms, fm=400Hz, Δf=±25kHz		0.5	1.3	%
AM rejection	AMR	V <sub>i</sub> =100mVrms, fm=400Hz, Δf=±25kHz, 30% AM	50	60		dB

- Usage Note : 1. Protective circuits must be inserted when using this IC with lines directly connecting the IC pins to external circuits.  
 (For example, this applies to pins 12 and 15.)  
 2. A 1000pF capacitor must be connected between either pin 5 and ground or between pin 5 and pin 8 to prevent VIF amplifier oscillation.

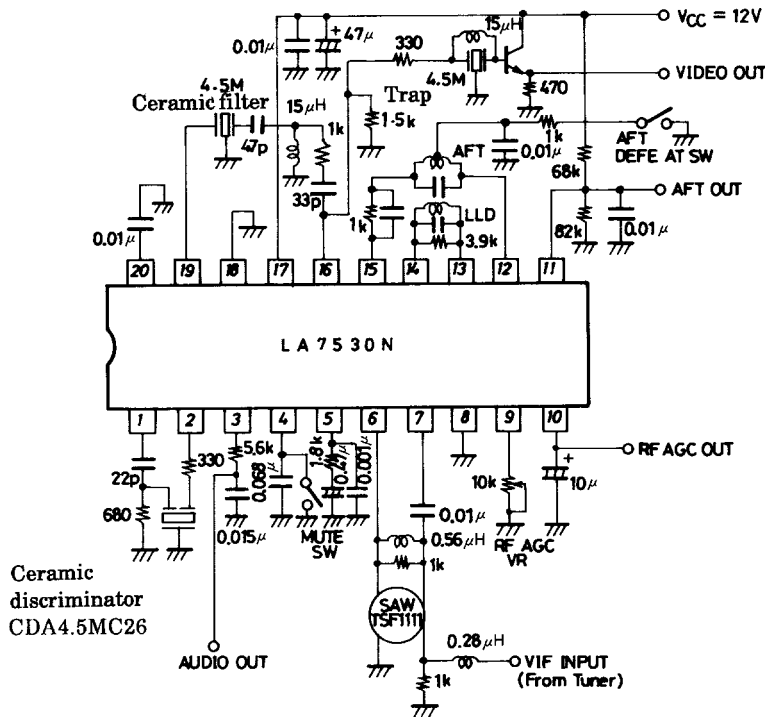
## Equivalent Circuit Block Diagram



# LA7530N

## Sample Application Circuit (Japan)

\* The LA7530N differs from the LA7530 in the circuit externally connected to pins 5, 8.



Unit ( resistance:Ω, capacitance:F )

- Specifications of any and all SANYO products described or contained herein stipulate the performance, characteristics, and functions of the described products in the independent state, and are not guarantees of the performance, characteristics, and functions of the described products as mounted in the customer's products or equipment. To verify symptoms and states that cannot be evaluated in an independent device, the customer should always evaluate and test devices mounted in the customer's products or equipment.
- SANYO Electric Co., Ltd. strives to supply high-quality high-reliability products. However, any and all semiconductor products fail with some probability. It is possible that these probabilistic failures could give rise to accidents or events that could endanger human lives, that could give rise to smoke or fire, or that could cause damage to other property. When designing equipment, adopt safety measures so that these kinds of accidents or events cannot occur. Such measures include but are not limited to protective circuits and error prevention circuits for safe design, redundant design, and structural design.
- In the event that any or all SANYO products(including technical data, services) described or contained herein are controlled under any of applicable local export control laws and regulations, such products must not be exported without obtaining the export license from the authorities concerned in accordance with the above law.
- No part of this publication may be reproduced or transmitted in any form or by any means, electronic or mechanical, including photocopying and recording, or any information storage or retrieval system, or otherwise, without the prior written permission of SANYO Electric Co., Ltd.
- Any and all information described or contained herein are subject to change without notice due to product/technology improvement, etc. When designing equipment, refer to the "Delivery Specification" for the SANYO product that you intend to use.
- Information (including circuit diagrams and circuit parameters) herein is for example only ; it is not guaranteed for volume production. SANYO believes information herein is accurate and reliable, but no guarantees are made or implied regarding its use or any infringements of intellectual property rights or other rights of third parties.

This catalog provides information as of October, 2000. Specifications and information herein are subject to change without notice.