



LA7416,7416M

Playback Amplifier and Record Amplifier for VHS VCRs

Overview

The LA7416 and LA7416M are playback and record amplifier ICs for four-head VHS VCRs. When used in conjunction with the video signal processing ICs of the LA7420/30 series, it is possible to eliminate the need to adjust the Y/C record current.

Functions

- 4-channel playback amplifier.
- 2-channel recording amplifier (AGC built-in).
- REC/PB mode switching head switch circuit.
- Envelope wave detection (for auto-tracking).
- Envelope comparator.

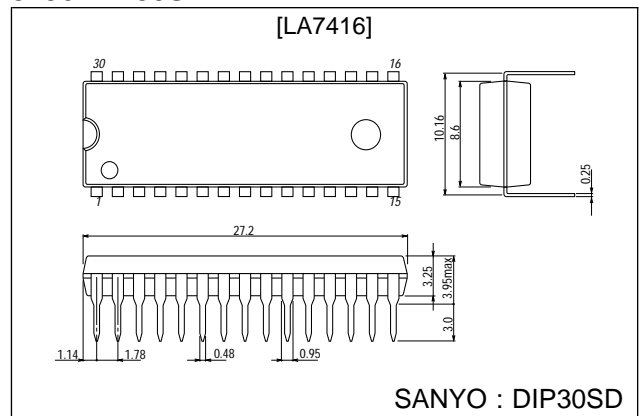
Features

- The record amplifier provides stable record characteristics in constant current drive mode, which is able to withstand load fluctuations. In addition, the built-in AGC eliminates the need to adjust the record current.
- Designed to share printed circuit boards with the LA7411/7411M (for 2-head systems).

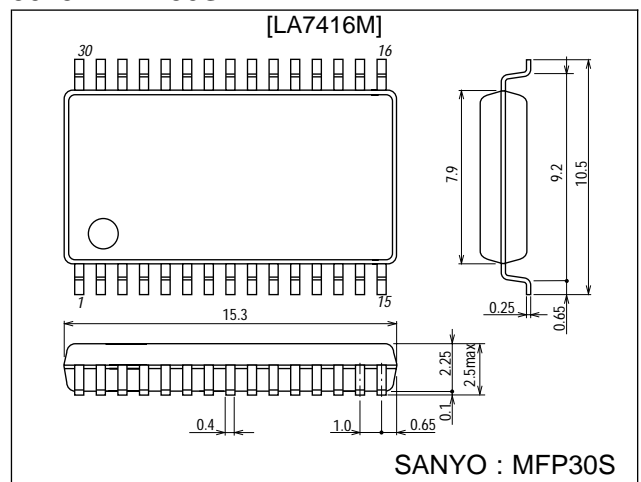
Package Dimensions

unit : mm

3196-DIP30SD



3073A-MFP30S



■ Any and all SANYO products described or contained herein do not have specifications that can handle applications that require extremely high levels of reliability, such as life-support systems, aircraft's control systems, or other applications whose failure can be reasonably expected to result in serious physical and/or material damage. Consult with your SANYO representative nearest you before using any SANYO products described or contained herein in such applications.

■ SANYO assumes no responsibility for equipment failures that result from using products at values that exceed, even momentarily, rated values (such as maximum ratings, operating condition ranges, or other parameters) listed in products specifications of any and all SANYO products described or contained herein.

LA7416,7416M

Specifications

Maximum Ratings at Ta = 25 °C

Parameter	Symbol	Conditions	Ratings	Unit
Maximum supply voltage	V _{CCmax}		7.0	V
Allowable power dissipation	Pd max	Ta ≤ 65 °C	650	mW
			*500	mW
Operating temperature	Topr		-10 to +65	°C
Storage temperature	Tstg		-40 to +150	°C

*: LA7416M Pd max value which represents the value when mounted on the board.

Operating Conditions at Ta = 25 °C

Parameter	Symbol	Conditions	Ratings	Unit
Supply voltage	V _{CC}		5.0	V
Operating voltage range	V _{CCop}		4.8 to 5.5	V

Electrical Characteristics at Ta = 25 °C

Parameter	Symbol	Input	Output	Conditions	T2	T4	T5	min	typ	max	Unit		
[PB Mode]				T15: 5.0 V T13: Open T7: Open	TRCK	HA	SW30 MUTE						
Current consumption	I _{CCP}			Pin 15 input current	Open	0	0	26	30	34	mA		
Voltage gain	SP L	CH1	G _{VP1}	T20A	T10A	V _I = 38 mVp-p f = 1 MHz	Open	0	0	54.0	57.0	60.0	dB
	SP H	CH2	G _{VP2}	T23A	T10A		Open	0	2.5	54.0	57.0	60.0	dB
	EP L	CH3	G _{VP3}	T27A	T10A		Open	5.0	0	56.0	59.0	62.0	dB
	EP H	CH4	G _{VP4}	T30A	T10A		Open	5.0	2.5	56.0	59.0	62.0	dB
Voltage gain difference 1	ΔG _{VP1}			G _{VP1} — G _{VP2}				-1	0	+1	dB		
Voltage gain difference 2	ΔG _{VP2}			G _{VP3} — G _{VP4}				-1	0	+1	dB		
Intermode gain difference	ΔG _{VP EP-SP}			G _{VP3} — G _{VP1}				1.0	2.0	3.0	dB		
Equivalent input noise voltage	CH1	V _{NIN1}	T20A	T10A	After 1.1 MHz LPF $\frac{V_{OUT}}{G_{VP1,2,3,4}}$	Open	0	0	1.1	1.5	μVrms		
	CH2	V _{NIN2}	T23A	T10A		Open	0	2.5	1.1	1.5	μVrms		
	CH3	V _{NIN3}	T27A	T10A		Open	5.0	0	1.1	1.5	μVrms		
	CH4	V _{NIN4}	T30A	T10A		Open	5.0	2.5	1.1	1.5	μVrms		
Frequency characteristics	CH1	ΔVfp1	T20A	T10A	V _I = 38 mVp-p f = 7 MHz $\frac{V_{OUT}}{G_{VP1,2,3,4}}$ output ratio	Open	0	0	-2.5	+1	dB		
	CH2	ΔVfp2	T23A	T10A		Open	0	2.5	-2.5	+1	dB		
	CH3	ΔVfp3	T27A	T10A		Open	5.0	0	-2.5	+1	dB		
	CH4	ΔVfp4	T30A	T10A		Open	5.0	2.5	-2.5	+1	dB		
Secondary harmonic distortion	CH1	V _{HDP1}	T20A	T10A	V _I = 38 mVp-p f = 4 MHz 8 M component 4 M component output ratio	Open	0	0	-40	-35	dB		
	CH2	V _{HDP2}	T23A	T10A		Open	0	2.5	-40	-35	dB		
	CH3	V _{HDP3}	T27A	T10A		Open	5.0	0	-40	-35	dB		
	CH4	V _{HDP4}	T30A	T10A		Open	5.0	2.5	-40	-35	dB		
Maximum output level	CH1	V _{OMP1}	T20A	T10A	f = 1 MHz Output level when tertiary distortion of the output is -30 dB	Open	0	0	1.0	1.2	Vp-p		
	CH2	V _{OMP2}	T23A	T10A		Open	0	2.5	1.0	1.2	Vp-p		
	CH3	V _{OMP3}	T27A	T10A		Open	5.0	0	1.0	1.2	Vp-p		
	CH4	V _{OMP4}	T30A	T10A		Open	5.0	2.5	1.0	1.2	Vp-p		
Cross-talk SP (Note 1)	CH1	V _{CR1}	T23A	T10A	V _I = 38 mVp-p f = 4 MHz $\frac{V_{OUT}}{G_{VP1,2}}$	Open	0	0	-40	-35	dB		
			T27A	T10A		Open	0	0	-40	-35	dB		
			T30A	T10A		Open	0	0	-40	-35	dB		
	CH2	V _{CR2}	T20A	T10A		Open	0	2.5	-40	-35	dB		
			T27A	T10A		Open	0	2.5	-40	-35	dB		
			T30A	T10A		Open	0	2.5	-40	-35	dB		
Cross-talk EP (Note 1)	CH3	V _{CR3}	T20A	T10A	V _I = 38 mVp-p f = 4 MHz $\frac{V_{OUT}}{G_{VP3,4}}$	Open	5.0	0	-40	-35	dB		
			T23A	T10A		Open	5.0	0	-40	-35	dB		
			T30A	T10A		Open	5.0	0	-40	-35	dB		
	CH4	V _{CR4}	T20A	T10A		Open	5.0	2.5	-40	-35	dB		
			T23A	T10A		Open	5.0	2.5	-40	-35	dB		
			T27A	T10A		Open	5.0	2.5	-40	-35	dB		

Continued on next page.

LA7416,7416M

Continued from preceding page.

Parameter	Symbol	Input	Output	Conditions	T2	T4	T5	min	typ	max	Unit
Output DC offset	ΔV_{ODC1}		T10A	CH1—CH2	Open		0	-100	0	+100	mV
					Open	0	2.5	-100	0	+100	mV
	ΔV_{ODC2}		T10A	CH3—CH4	Open		0	-100	0	+100	mV
					Open	5.0	2.5	-100	0	+100	mV
	ΔV_{ODC3}		T10A	CH1—CH3	Open		0	-100	0	+100	mV
					Open	5.0	0	-100	0	+100	mV
	ΔV_{ODC4}		T10A	CH2—CH4	Open		0	-100	0	+100	mV
					Open	5.0	2.5	-100	0	+100	mV
	ΔV_{ODC5}		T10A	CH1—CH4	Open		0	-100	0	+100	mV
					Open	5.0	2.5	-100	0	+100	mV
	ΔV_{ODC6}		T10A	CH2—CH3	Open		0	-100	0	+100	mV
					Open	5.0	0	-100	0	+100	mV
Envelope wave detection output pin voltage	V_{ENV}		T8	T8 DC voltage with no input	Open	0	0	0	0.8	1.5	V
Envelope wave detection voltage SP1	V_{ENVSP1}	T20A	T8	f = 4 MHz, T10A: Adjusted to 175 mVp-p	Open	0	0	2.1	2.6	3.1	V
Envelope wave detection voltage SP2	V_{ENVSP2}	T20A	T8	f = 4 MHz, T10A: Adjusted to 450 mVp-p	Open	0	0	4.5	4.8	5.0	V
Envelope wave detection voltage EP1	V_{ENVEP1}	T27A	T8	f = 4 MHz, T10A: Adjusted to 125 mVp-p	Open	5.0	0	2.0	2.5	3.0	V
Envelope wave detection voltage EP2	V_{ENVEP2}	T27A	T8	f = 4 MHz, T10A: Adjusted to 350 mVp-p	Open	5.0	0	4.5	4.8	5.0	V
Comparator output voltage 1	V_{COMP1}	T20A	T3	f = 4 MHz, $V_I = 38$ mVp-p T3 DC voltage	5.0	0	0		0.4	0.7	V
Comparator output voltage 2	V_{COMP2}	T27A	T3	f = 4 MHz, $V_I = 38$ mVp-p T3 DC voltage	5.0	5.0	0	4.5	4.8		V
ON resistance of SW-Tr which is turned ON in PB mode	R_{PON17}		P-17	DC difference measured for 1 mA, 2 mA current inflow					4.0	6.0	Ω
	R_{PON18}		P-18						4.0	6.0	Ω
ON resistance of SW-Tr which is turned ON in PB mode	R_{PON21}		P-21	DC difference measured for 1 mA, 2 mA current inflow	Open	5.0			4.0	6.0	Ω
	R_{PON24}		P-24		Open	5.0			4.0	6.0	Ω
	R_{PON26}		P-26		Open	0			4.0	6.0	Ω
	R_{PON29}		P-29		Open	0			4.0	6.0	Ω
Trick 1 threshold level	TR1-1		T2	Normal → Trick 1	*			3.2		5.0	V
	TR1-2		T2	Trick 1 → Normal	*			1.2		2.8	V
Trick 2 threshold level	TR2-1		T2	Normal → Trick 2	*			0.0		0.8	V
	TR2-2		T2	Trick 2 → Normal	*			1.2		2.8	V
HAPB threshold level	HAP-1		T4	SP → EP		*		1.8		5.0	V
	HAP-2		T4	EP → SP		*		0.0		1.4	V
SW30 threshold level	SW30-1		T5	Lch → Hch			*	1.2		5.0	V
	SW30-2		T5	Hch → Lch			*	0.0		0.8	V

Note 1: Status where input stage L (8.2 μ H) is shorted

Note: Because the T4 (HA) control switching timing is synchronized with T6 (H-Sync), a trigger pulse (0 V to 5 V to 0 V) must be input to T6 before measuring each parameter for the LA7416/M.

“*” represents output pins.

LA7416,7416M

Electrical Characteristics at Ta = 25 °C

Parameter	Symbol	Input	Output	Conditions	T13	T4	T5	min	typ	max	Unit
[REC Mode]				T15: 5.0 V T2: Open T6: 5.0 V T7: 5.0 V	REC Adj2	HA	SW30 MUTE				
Current consumption	I _{CCP}			Pin 15 current input	Open	0	0	50	55	60	mA
REC AGC Amp output level	V _{RSP}	T11A	T21A	f = 4 MHz	Open	0	0	147	156	165	mVp-p
	V _{REP}	T11A	T26A	V _I = 200 mVp-p	Open	5.0	0	116	123	130	mVp-p
Intermode gain difference	ΔG _{VR}			V _{RSP} /V _{REP}				1.30	2.05	2.80	dB
REC AGC Amp control characteristics 1	ΔV _{AGC1-SP}	T11A	T21A	f = 4 MHz, V _I = 400 mVp-p	Open	0	0		0.5	1.0	dB
	ΔV _{AGC1-EP}	T11A	T26A	Output level/ V _{RSP, EP} ratio	Open	5.0	0		0.5	1.0	dB
REC AGC Amp control characteristics 2	ΔV _{AGC2-SP}	T11A	T21A	f = 4 MHz, V _I = 100 mVp-p	Open	0	0	-1.0	-0.5		dB
	ΔV _{AGC2-EP}	T11A	T26A	Output level/ V _{RSP, EP} ratio	Open	5.0	0	-1.0	-0.5		dB
REC AGC Amp frequency characteristics (Note 2)	ΔV _{FRS}	T11A	T21A	f = 1 M, 7 MHz, V _I = 200 mVp-p	Open	0	0	-4.0	-3.0	-2.0	dB
	ΔV _{FRE}	T11A	T26A	7 MHz/1 MHz, output ratio	Open	5.0	0	-4.0	-3.0	-2.0	dB
REC AGC Amp secondary harmonic level	ΔV _{HDRS}	T11A	T21A	f = 4 MHz, V _I = 200 mVp-p	Open	0	0		-45	-40	dB
	ΔV _{HDRE}	T11A	T26A	8 M component 4 M component output ratio	Open	5.0	0		-45	-40	dB
REC AGC Amp maximum output level (Note 3)	ΔV _{OMRS}	T11A	T21A	f = 4 MHz, Output level when secondary distortion of the output is -30 dB	Adj.	0	0	20	22		mAp-p
	ΔV _{OMRE}	T11A	T26A		Adj.	5.0	0	20	22		mAp-p
REC AGC Amp mute attenuation	ΔV _{MRS}	T11A	T21A	f = 4 MHz, V _I = 200 mVp-p	Open	0	5.0		-45	-40	dB
	ΔV _{MRE}	T11A	T26A	Output level/ V _{RSP, EP} output ratio	Open	5.0	5.0		-45	-40	dB
REC AGC Amp mixed modulation relative level	ΔV _{CYS}	T10A	T21A	T10A: f = 629 kHz, V _I = 360 mVp-p	Open	0	0		-45	-40	dB
	ΔV _{CYE}	T11A	T26A	T11A: f = 4 MHz, V _I = 200 mVp-p (4 M±629 k)/4 M output ratio	Open	5.0	0		-45	-40	dB
ON resistance of SW-Tr which switches between modes in REC mode	R _{RON17}		P-17	DC difference measured for 1 mA, 2 mA current inflow	Open	5.0			4.0	6.0	Ω
	R _{RON18}		P-18		Open	0			4.0	6.0	Ω
	R _{RON21}		P-21		Open	5.0			4.0	6.0	Ω
	R _{RON24}		P-24		Open	5.0			4.0	6.0	Ω
	R _{RON26}		P-26		Open	0			4.0	6.0	Ω
	R _{RON29}		P-29		Open	0			4.0	6.0	Ω
HA REC threshold level	HAR-1		T4	SP → EP		*		1.8		5.0	V
	HAR-2		T4	EP → SP		*		0.0		1.4	V
REC MUTE threshold level	MUTE-1		T5	MUTE OFF → ON			*	3.4		5.0	V
	MUTE-2		T5	MUTE ON → OFF			*	0.0		3.0	V
REC/PB threshold level	SW REC/ PB			T7: Control voltage				2.2		5.0	V

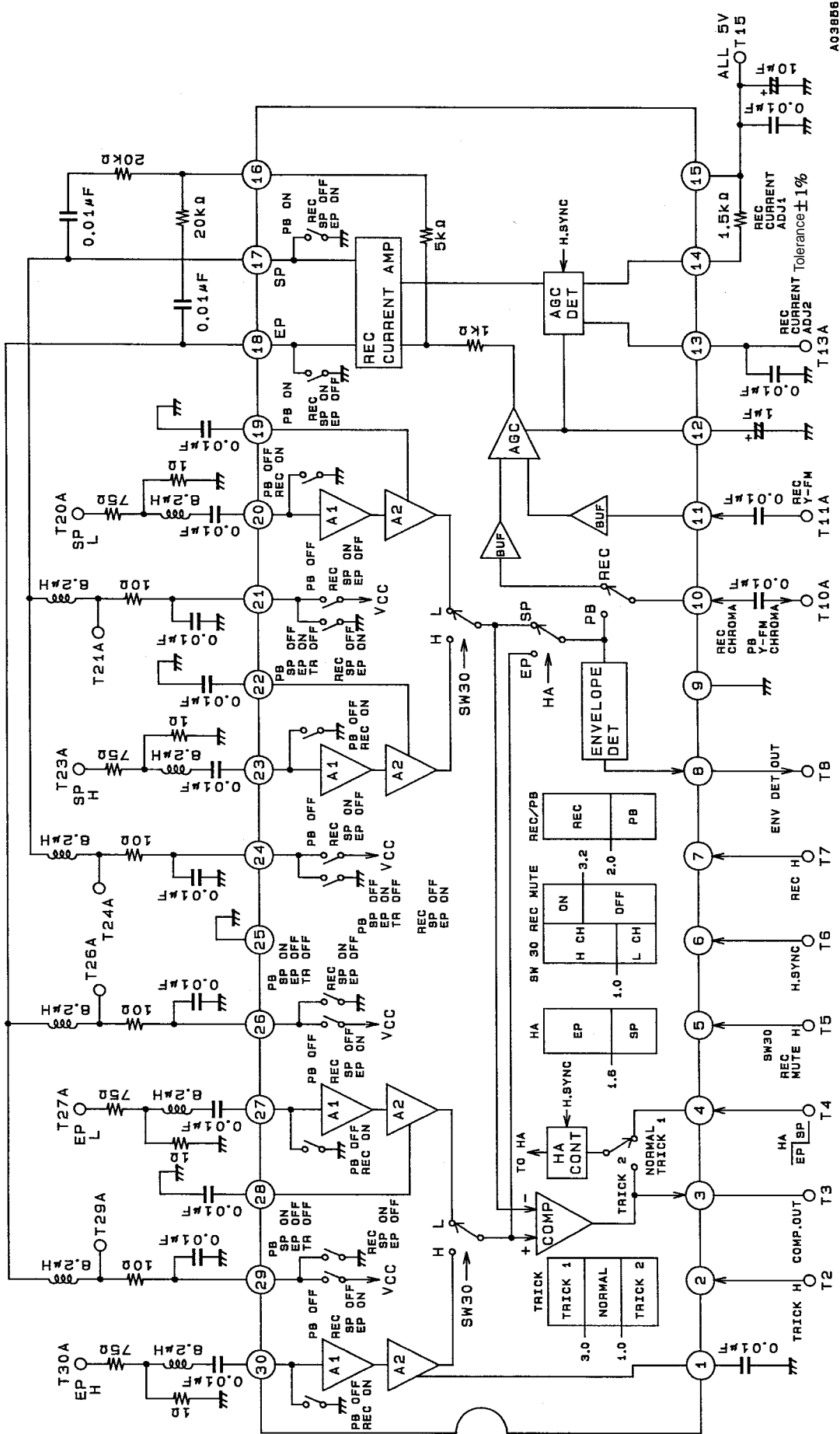
Note 2: Apply approximately 1.8 V DC to the AGC wave detection filter pin (pin 12) and fix the amplifier gain for measurement.

Note 3: Apply DC voltage to T13 (REC CUR. ADJ2) and adjust the output level.

Note: Use a resistor with a tolerance of ± 1.0% between pins 14 and 15.

“*” represents output pins.

Test Circuit Diagram



A03856

- Specifications of any and all SANYO products described or contained herein stipulate the performance, characteristics, and functions of the described products in the independent state, and are not guarantees of the performance, characteristics, and functions of the described products as mounted in the customer's products or equipment. To verify symptoms and states that cannot be evaluated in an independent device, the customer should always evaluate and test devices mounted in the customer's products or equipment.
- SANYO Electric Co., Ltd. strives to supply high-quality high-reliability products. However, any and all semiconductor products fail with some probability. It is possible that these probabilistic failures could give rise to accidents or events that could endanger human lives, that could give rise to smoke or fire, or that could cause damage to other property. When designing equipment, adopt safety measures so that these kinds of accidents or events cannot occur. Such measures include but are not limited to protective circuits and error prevention circuits for safe design, redundant design, and structural design.
- In the event that any or all SANYO products(including technical data, services) described or contained herein are controlled under any of applicable local export control laws and regulations, such products must not be exported without obtaining the export license from the authorities concerned in accordance with the above law.
- No part of this publication may be reproduced or transmitted in any form or by any means, electronic or mechanical, including photocopying and recording, or any information storage or retrieval system, or otherwise, without the prior written permission of SANYO Electric Co., Ltd.
- Any and all information described or contained herein are subject to change without notice due to product/technology improvement, etc. When designing equipment, refer to the "Delivery Specification" for the SANYO product that you intend to use.
- Information (including circuit diagrams and circuit parameters) herein is for example only ; it is not guaranteed for volume production. SANYO believes information herein is accurate and reliable, but no guarantees are made or implied regarding its use or any infringements of intellectual property rights or other rights of third parties.

This catalog provides information as of June, 1995. Specifications and information herein are subject to change without notice.