



# LA7217, 7217M

## Synchronizing Signal Separator with AFC and Sync Detector

### Overview

The LA7217 and 7217M are synchronizing signal separator ICs with AFC and AFC Lock detector designed to be used in video equipments such as VCR and TV sets. VCO with ceramic oscillator and PLL horizontal sync detector provide an adjust-free, percision sync detection system.

### Functions

- Horizontal sync separation.
- Vertical sync separation.
- VCO ( $32f_H$ ).
- AFC.
- Sync signal detection.

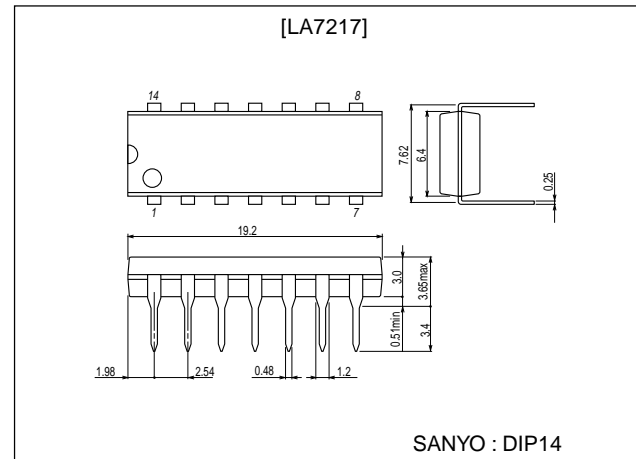
### Features

- Use of a ceramic oscillator requiers no adjustment.
- Negative polarity output.
- High impedance video signal input pin.
- 5V supply voltage.

### Package Dimensions

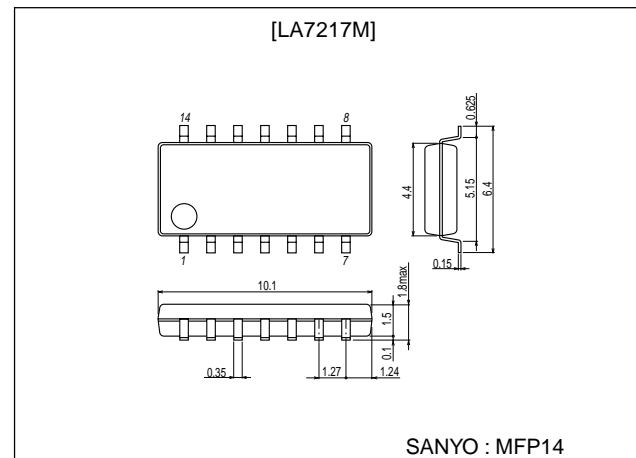
unit:mm

#### 3003A-DIP14



unit:mm

#### 3034A-MFP14



■ Any and all SANYO products described or contained herein do not have specifications that can handle applications that require extremely high levels of reliability, such as life-support systems, aircraft's control systems, or other applications whose failure can be reasonably expected to result in serious physical and/or material damage. Consult with your SANYO representative nearest you before using any SANYO products described or contained herein in such applications.

■ SANYO assumes no responsibility for equipment failures that result from using products at values that exceed, even momentarily, rated values (such as maximum ratings, operating condition ranges, or other parameters) listed in products specifications of any and all SANYO products described or contained herein.

# LA7217, 7217M

## Specifications

### Maximum Ratings at Ta = 25°C

Parameter	Symbol	Conditions	Ratings	Unit
Maximum supply voltage	V <sub>CC</sub> max		7	V
Allowable power dissipation	Pd max		150	mW
Operating temperature	Topr		-15 to +65	°C
Storage temperature	Tstg		-40 to +125	°C

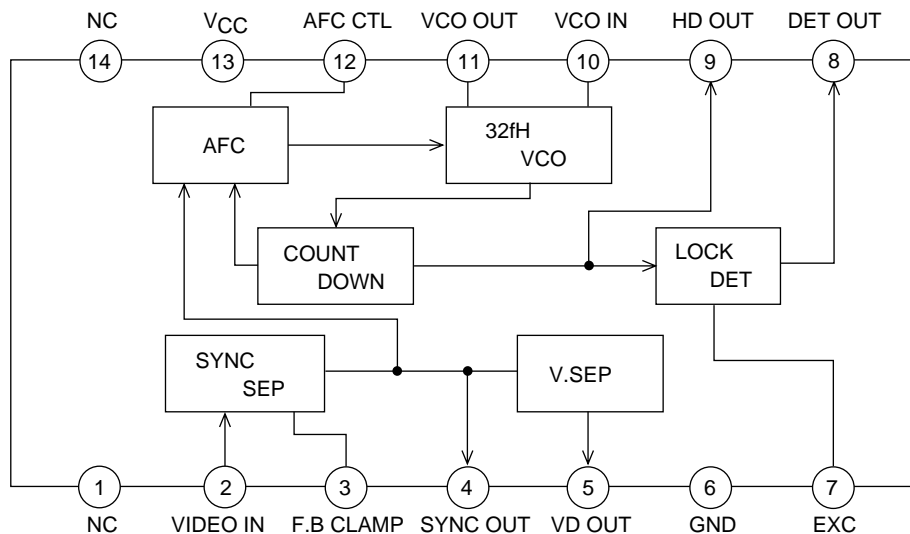
### Operating Conditions at Ta = 25°C

Parameter	Symbol	Conditions	Ratings	Unit
Recommended supply voltage	V <sub>CC</sub>		5.0	V
Operating voltage range	V <sub>CC</sub> op		4.5 to 5.5	V

### Operating Characteristics at Ta = 25°C, V<sub>CC</sub>=5V

Parameter	Symbol	Conditions	Ratings			Unit
			min	typ	max	
Current drain	I <sub>CC</sub>	Standard color bar input	4.9	7	9.1	mA
Sync separation minimum input level	V <sub>IN</sub> min		-15	-11	-8	dB
HD output delay time	t <sub>HD</sub>	From pin 2 to pin 9	0.1	0.5	0.9	μs
HD output pulse width	t <sub>HW</sub>		3.6	4.0	4.4	μs
VD output delay time	t <sub>VD</sub>	From pin 2 to pin 5	9	13	17	μs
VD output pulse width	t <sub>VW</sub>		0.16	0.21	0.26	ms
Free-running frequency	f <sub>O</sub>	SW1 off	15.4	15.75	16.1	kHz
Capture Range 1	f <sub>CH</sub>	Judgment by comparison of pin 9 with pin 2	300	500		Hz
Capture Range 2	f <sub>CL</sub>	Judgment by comparison of pin 9 with pin 2	1000	1500		Hz
SYNC out, high level voltage	V <sub>SH</sub>	Level on pin 4	3.9	4.2		V
SYNC out, low level voltage	V <sub>SL</sub>	Level on pin 4		0.8	1.0	V
HD out, high level voltage	V <sub>HH</sub>	Level on pin 9	3.9	4.2		V
HD out, low level voltage	V <sub>HL</sub>	Level on pin 9		0.8	1.0	V
VD out, high level voltage	V <sub>VH</sub>	Level on pin 5	3.9	4.2		V
VD out, low level voltage	V <sub>VL</sub>	Level on pin 5		0.8	1.0	V
DET out, high level voltage	V <sub>DH</sub>		4.8	5.0		V
DET out, low level voltage	V <sub>DL</sub>	SW1 off		0.1	0.3	V
Comparator threshold high level voltage	V <sub>TH</sub>	SW2-a	2.7	2.95	3.2	V
Comparator threshold low level voltage	V <sub>TL</sub>	SW2-a	2.4	2.7	3.0	V
Threshold width	V <sub>TW</sub>	V <sub>TH</sub> -V <sub>TL</sub>	0.10	0.22	0.40	V
DET operating current, high level	I <sub>DH</sub>	SW2-b	40	65	90	μA
DET operating current, low level	I <sub>DL</sub>	SW2-b	40	65	90	μA

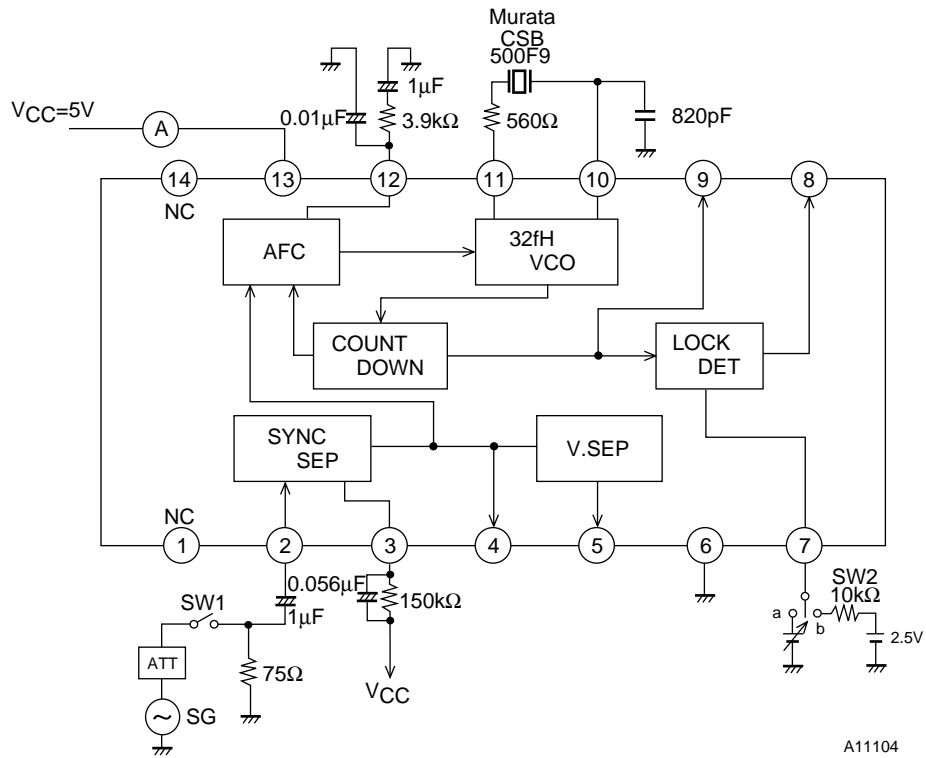
### Block Diagram



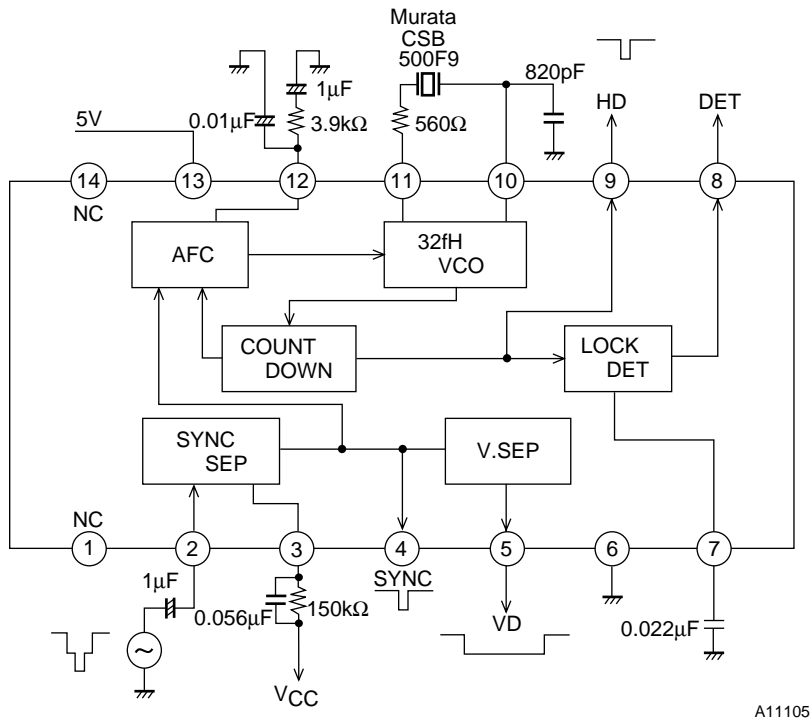
A11103

# LA7217, 7217M

## Test Circuit



## Sample Application Circuit



- DET OUT becomes high upon lock.
- When feeding video signal to the input pin directly, keep DC level between 2 and 3.5 volts.
- Standard video input is 1 Vp-p.

- Specifications of any and all SANYO products described or contained herein stipulate the performance, characteristics, and functions of the described products in the independent state, and are not guarantees of the performance, characteristics, and functions of the described products as mounted in the customer's products or equipment. To verify symptoms and states that cannot be evaluated in an independent device, the customer should always evaluate and test devices mounted in the customer's products or equipment.
- SANYO Electric Co., Ltd. strives to supply high-quality high-reliability products. However, any and all semiconductor products fail with some probability. It is possible that these probabilistic failures could give rise to accidents or events that could endanger human lives, that could give rise to smoke or fire, or that could cause damage to other property. When designing equipment, adopt safety measures so that these kinds of accidents or events cannot occur. Such measures include but are not limited to protective circuits and error prevention circuits for safe design, redundant design, and structural design.
- In the event that any and all SANYO products described or contained herein fall under strategic products (including services) controlled under the Foreign Exchange and Foreign Trade Control Law of Japan, such products must not be exported without obtaining export license from the Ministry of International Trade and Industry in accordance with the above law.
- No part of this publication may be reproduced or transmitted in any form or by any means, electronic or mechanical, including photocopying and recording, or any information storage or retrieval system, or otherwise, without the prior written permission of SANYO Electric Co., Ltd.
- Any and all information described or contained herein are subject to change without notice due to product/technology improvement, etc. When designing equipment, refer to the "Delivery Specification" for the SANYO product that you intend to use.
- Information (including circuit diagrams and circuit parameters) herein is for example only ; it is not guaranteed for volume production. SANYO believes information herein is accurate and reliable, but no guarantees are made or implied regarding its use or any infringements of intellectual property rights or other rights of third parties.

This catalog provides information as of July, 1998. Specifications and information herein are subject to change without notice.